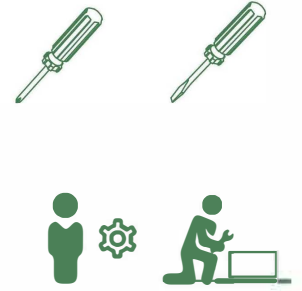


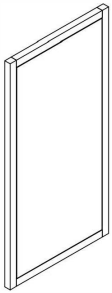
TOOLS:



UNIT : MM

PACKAGE-A

1



1100X550X30

2



1035X525X15

3



1000X550X12

6



1020X $\phi$ 16

9



1000X133X15

10



1000X98X15

16

X

2



1000X60X15

17

X

2



1000X50X15

18

X

2

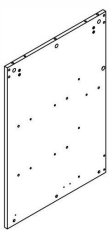


490X50X15

UNIT : MM

PACKAGE-B

4



740X520X15

5



740X520X15

7



1000X370X15

8



1000X370X15

11



390X $\phi$ 22  
107X57X24

12

X

2



13

X

4



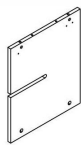
120X98X15  
100X72X18

14

X

4

15

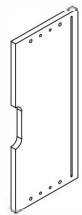


435X370X15

19

X

2



488X205X15

20

X

2



350X150X12

21

X

2



22

X

2



443X150X12

23

X

2



452X347X3

PACKAGE-B

A

X

8



M6X45

B

X

8



$\phi$ 10X10

C

X

14



M5X45

D

X

11

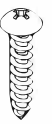


M4X35

E

X

32



M5X16

F

X

46



$\phi$ 8X30

G

X

14

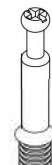


$\phi$ 6X30

H

X

42



J

X

42



$\phi$ 15X9

K



L

X

24



M3X12

UNIT : MM

PACKAGE-B

CL

X 2



CR

X 2



DL

X 2



DR

X 2



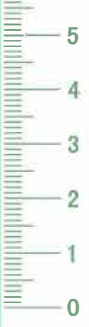
R

X 4



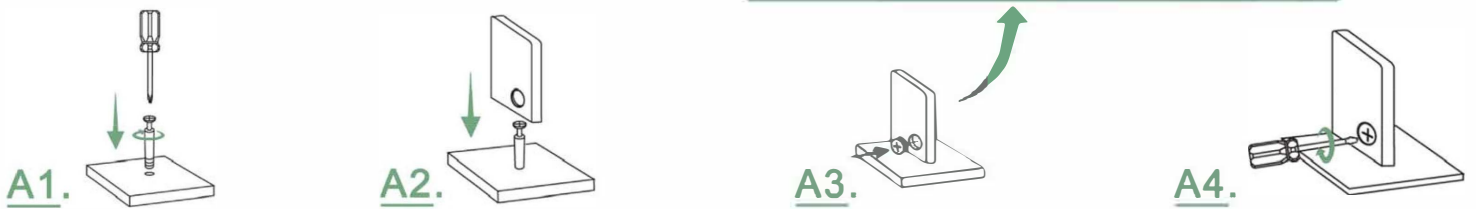
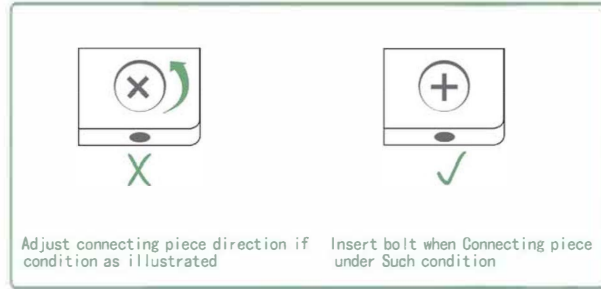
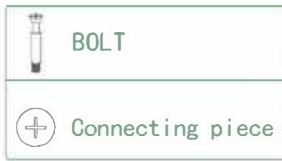
S

X 20

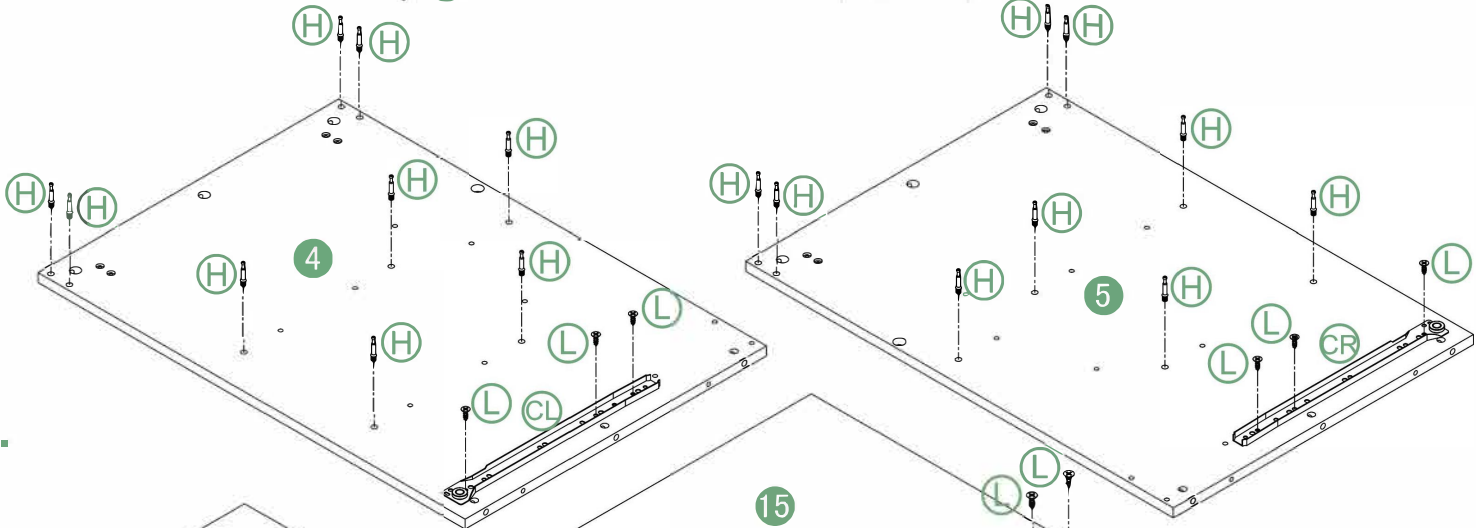


UNIT:MM

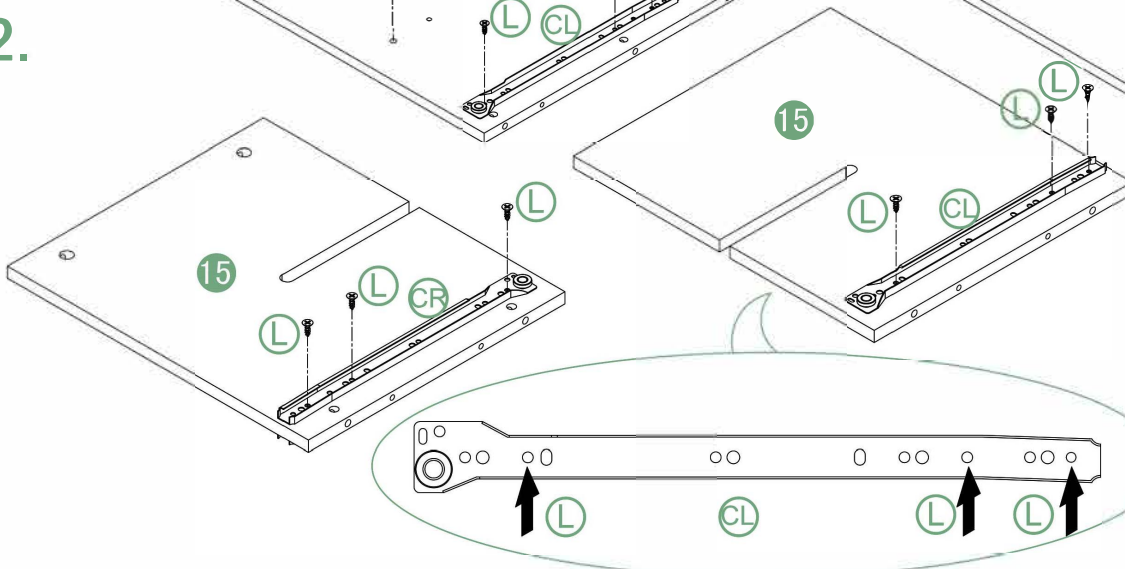
BOLT INSTALLATION AS BELOW:



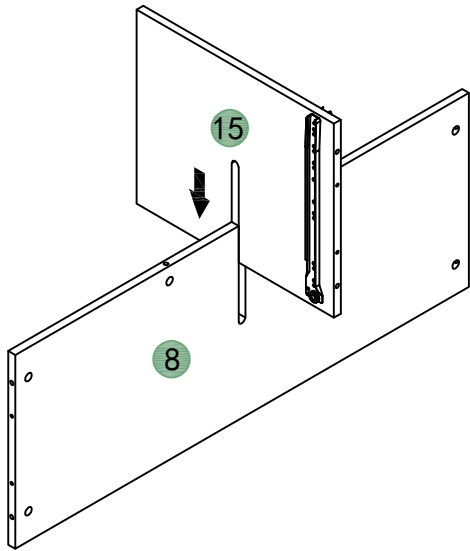
1.



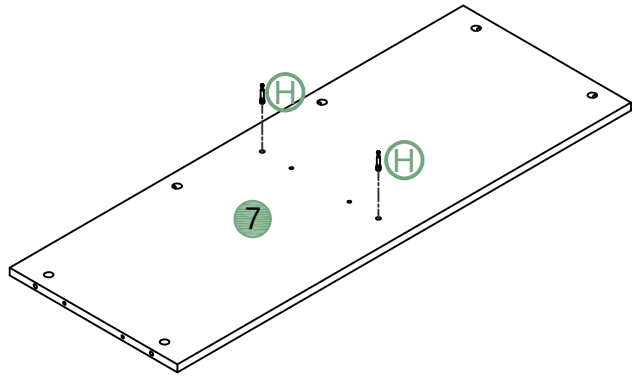
2.



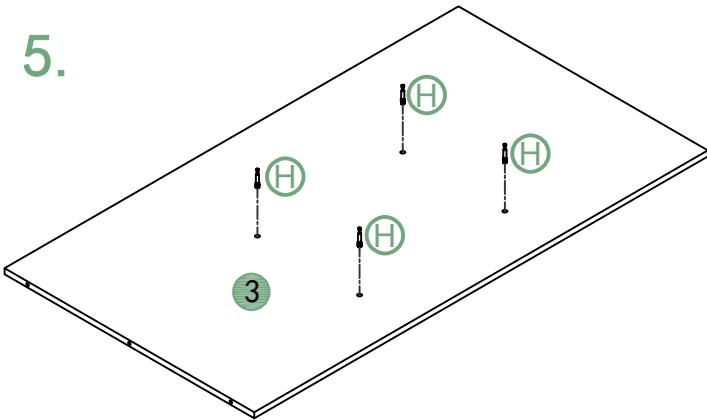
3.



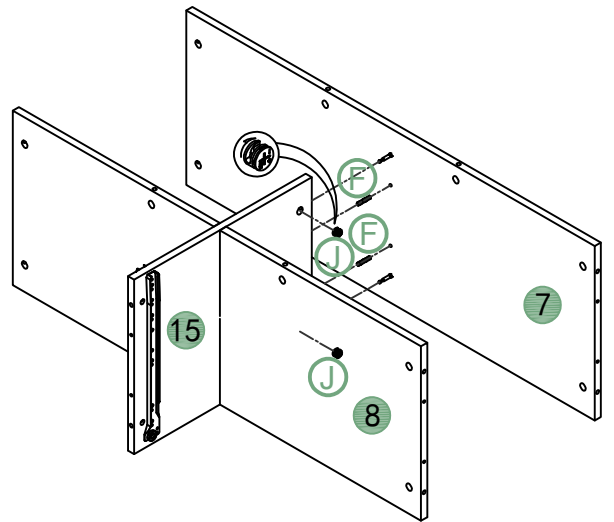
4.



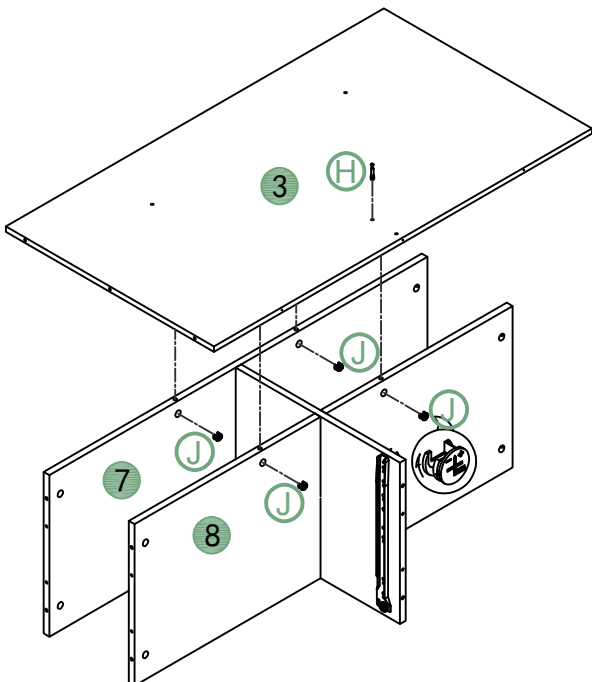
5.



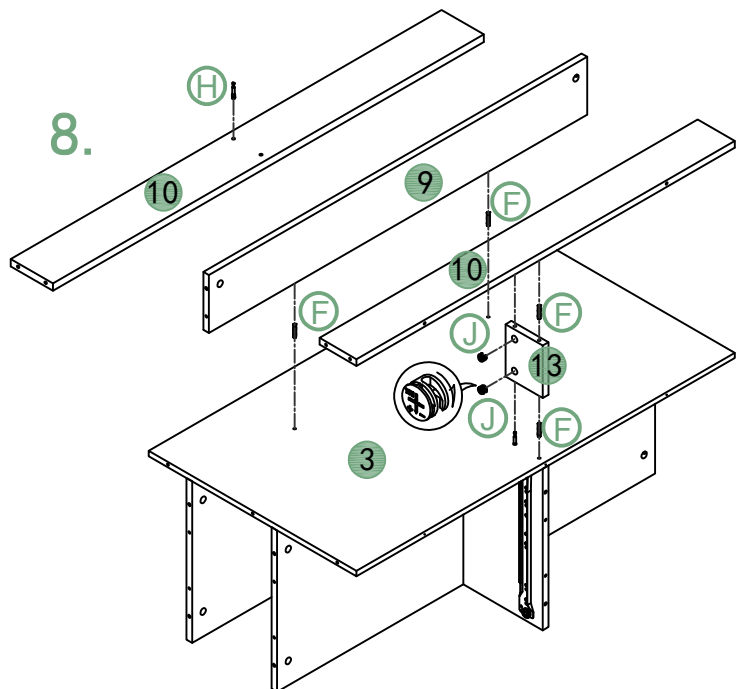
6.



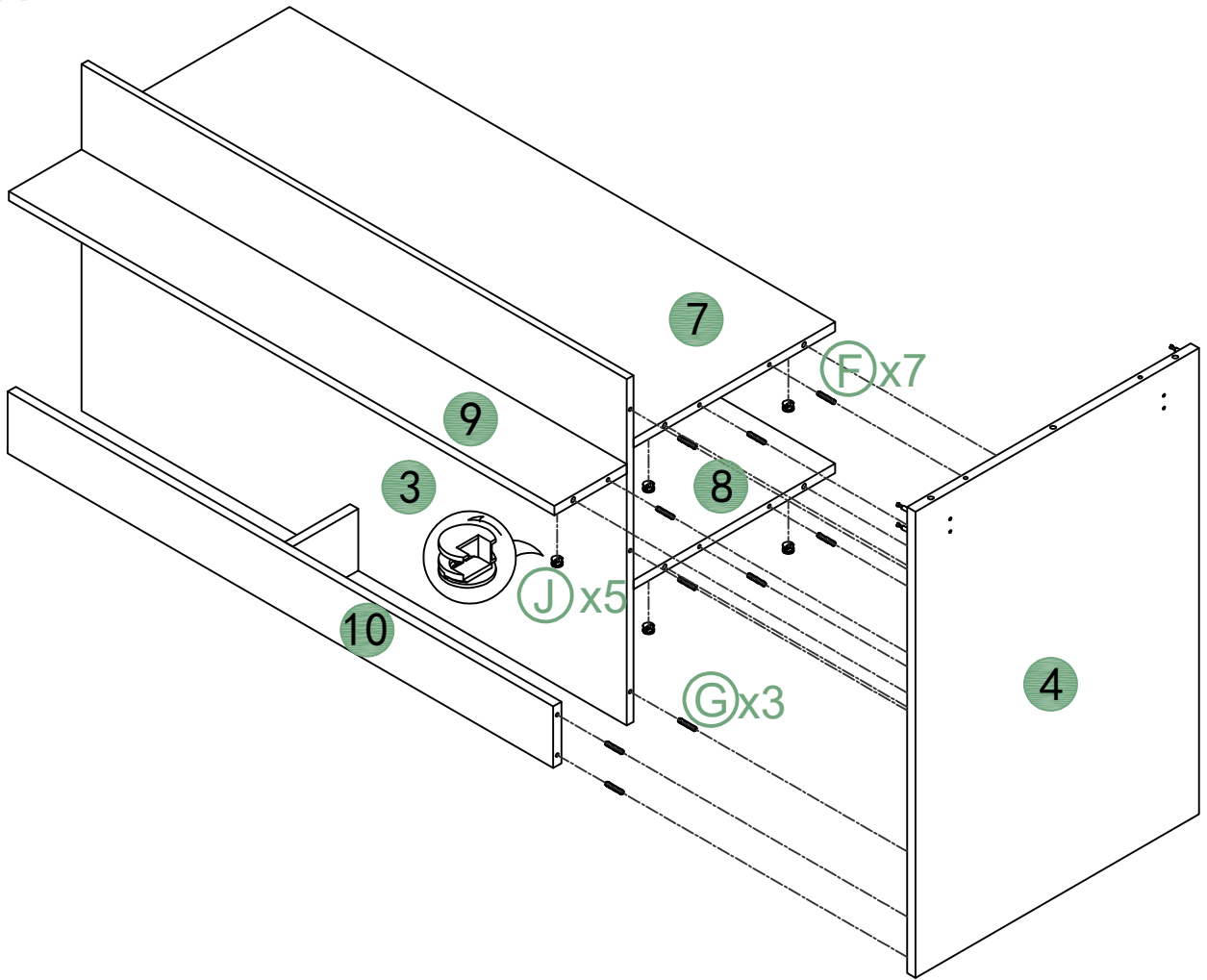
7.



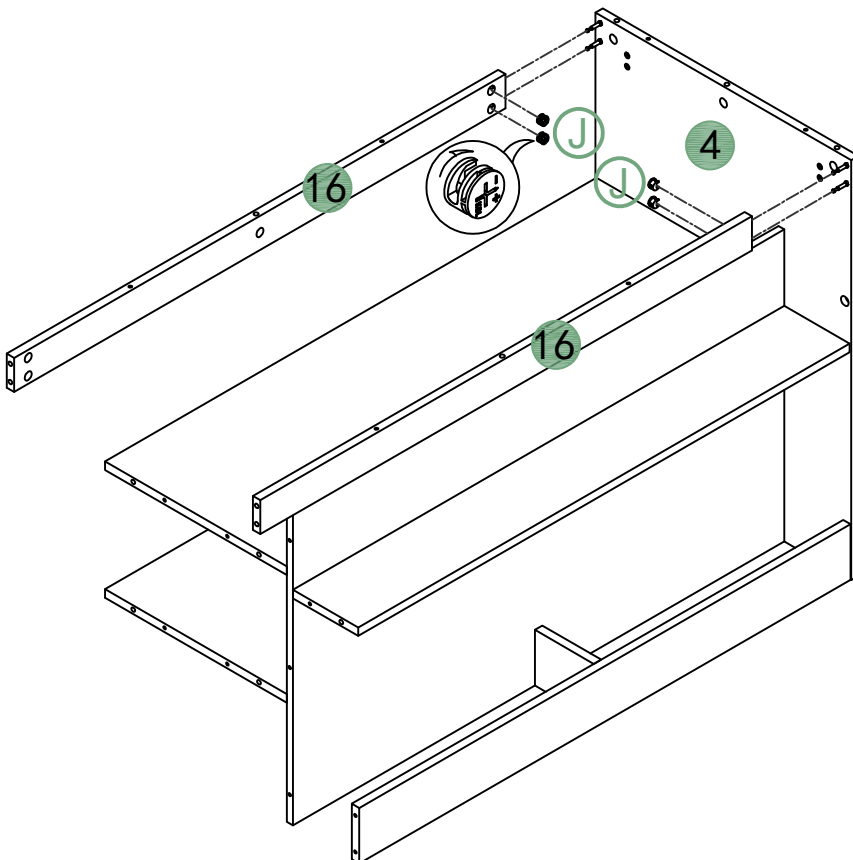
8.



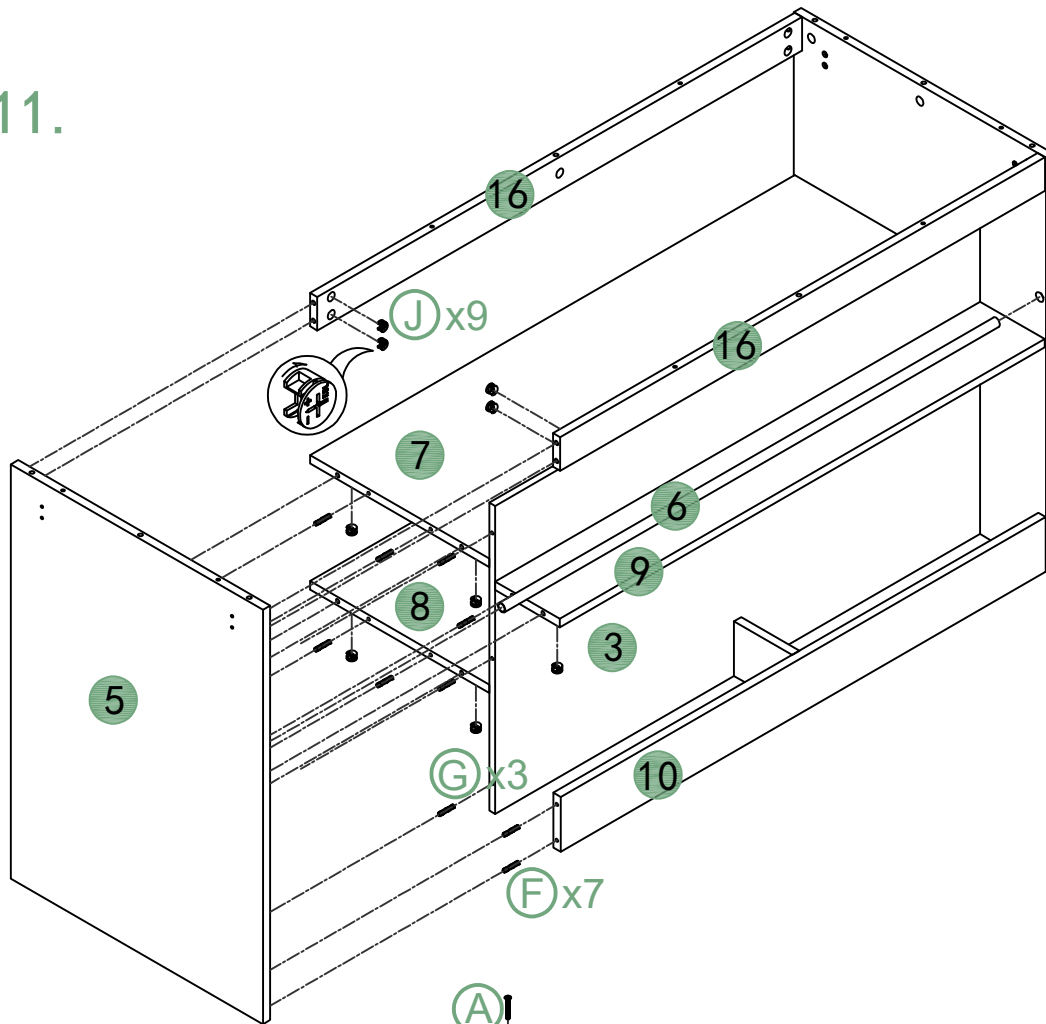
9.



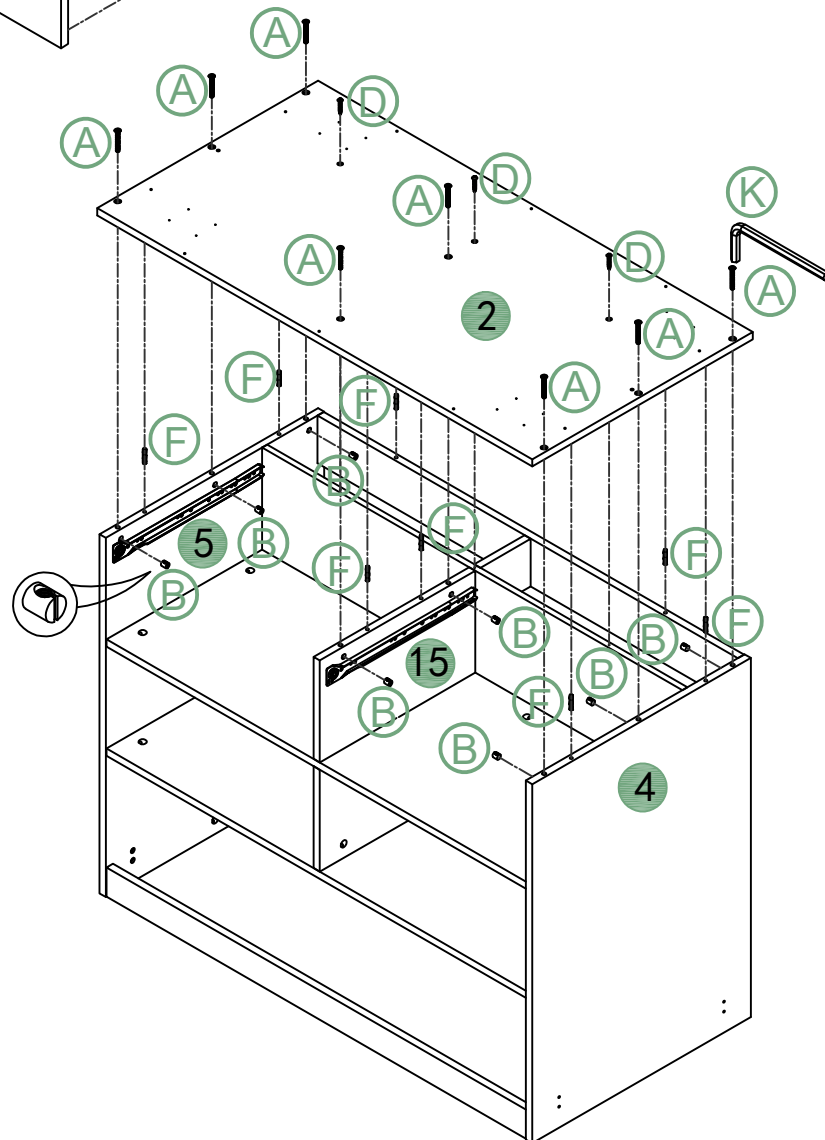
10.



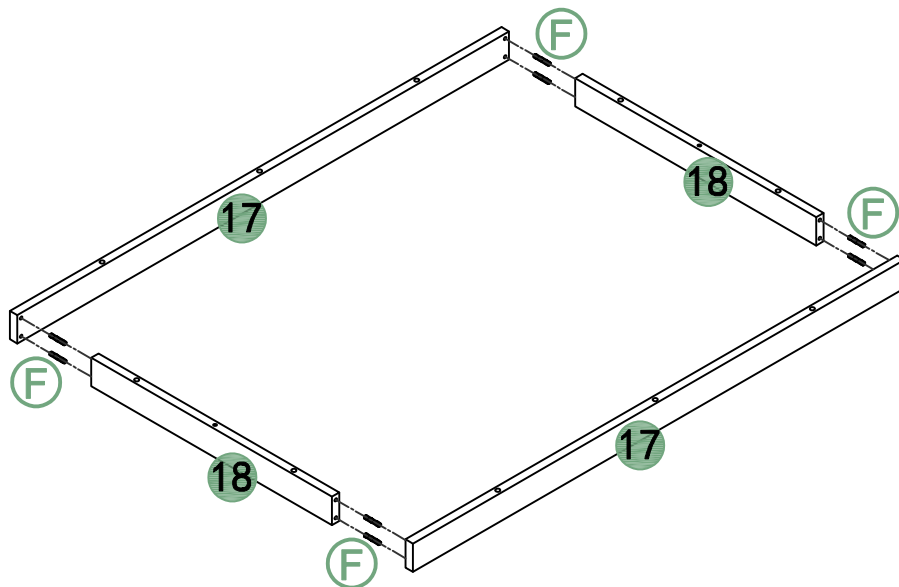
11.



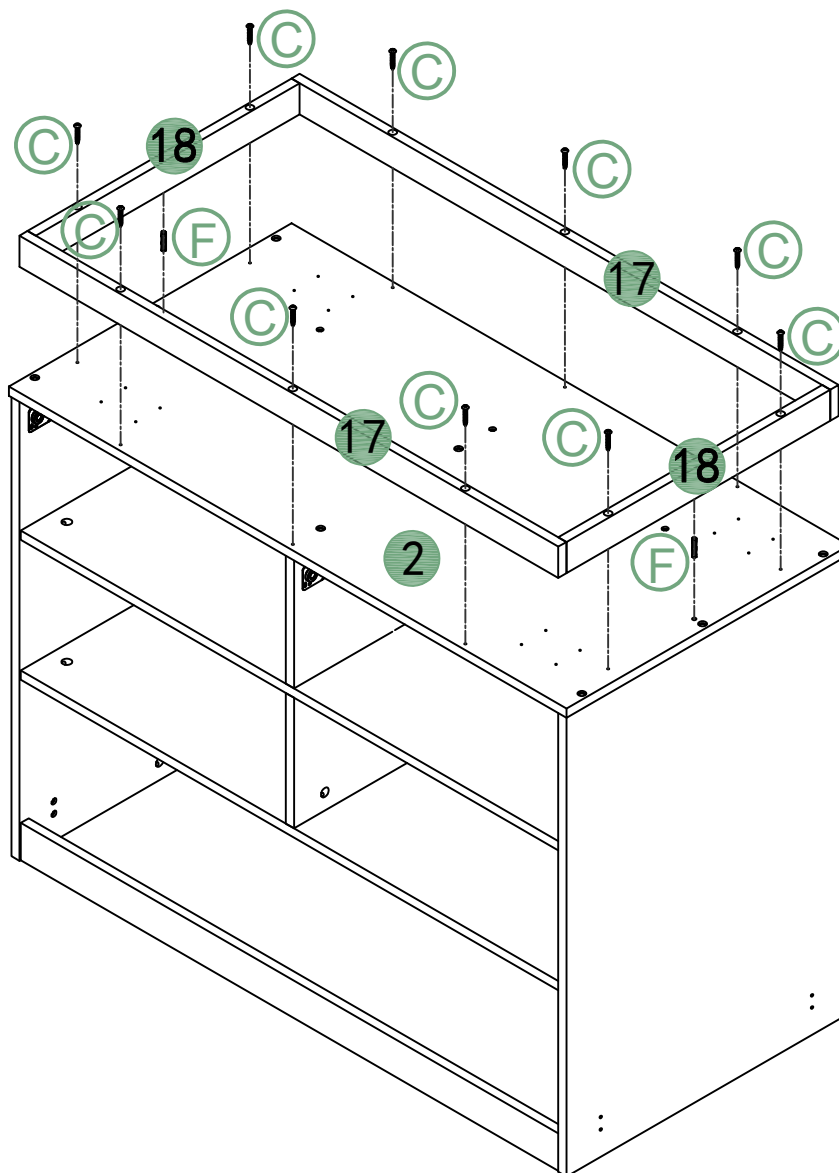
12.



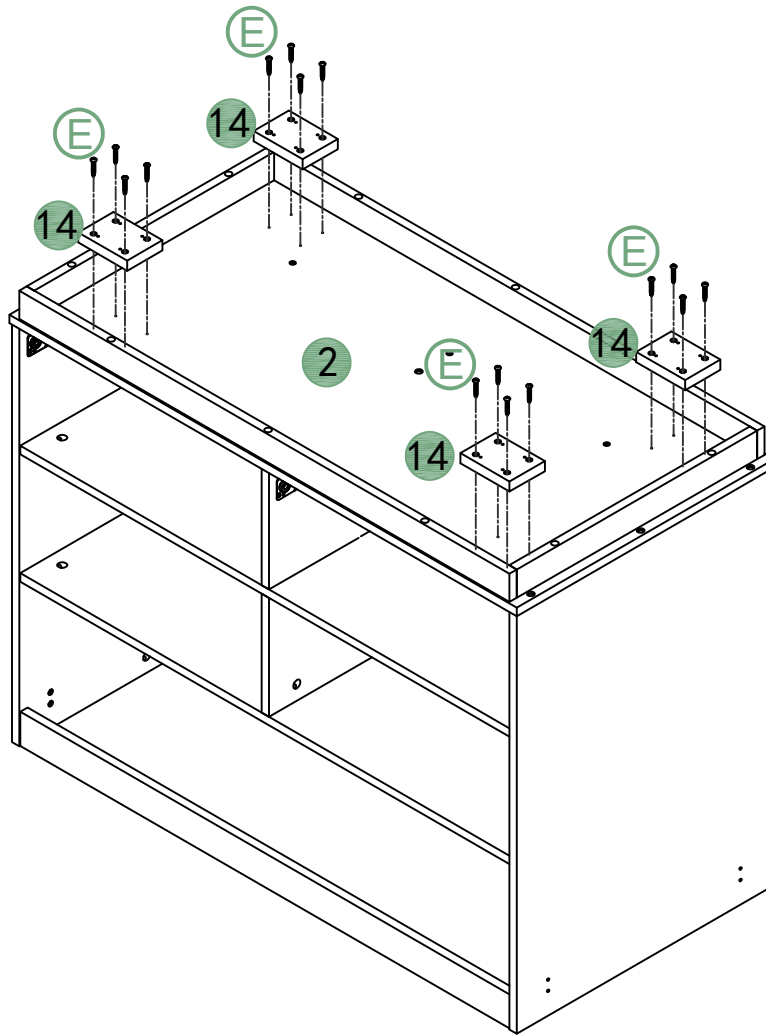
13.



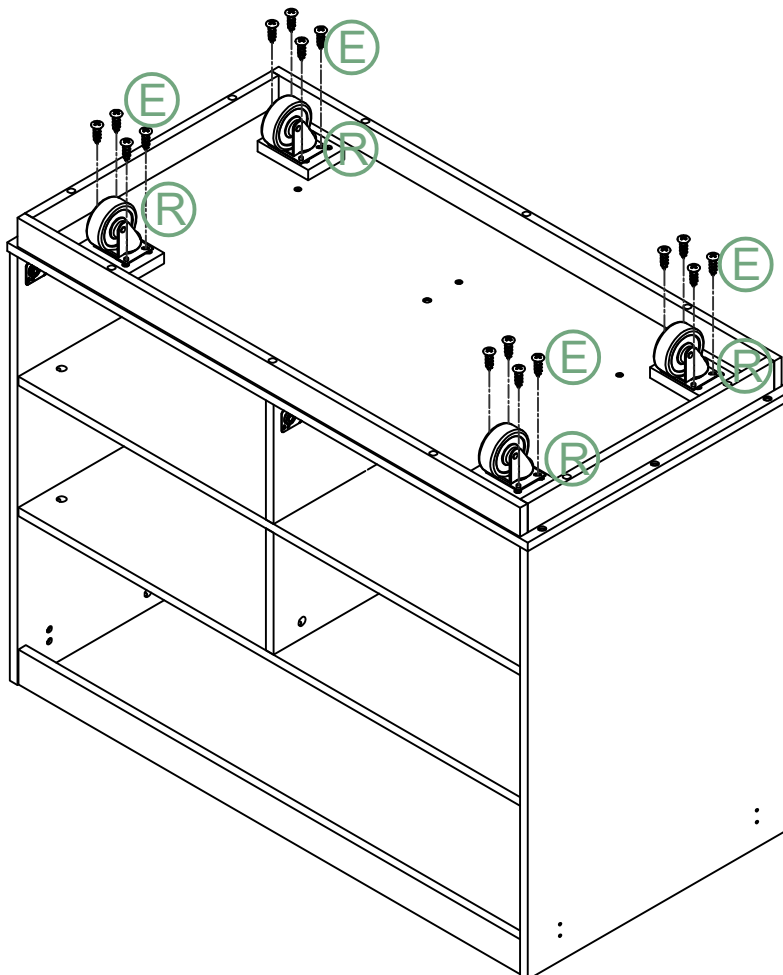
14.

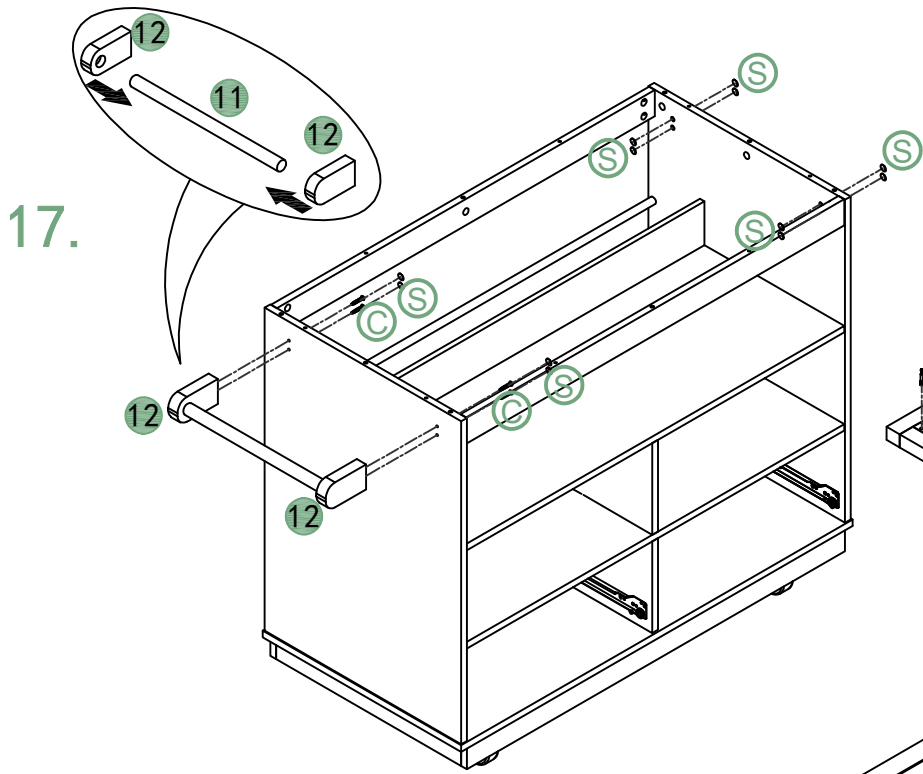


15.

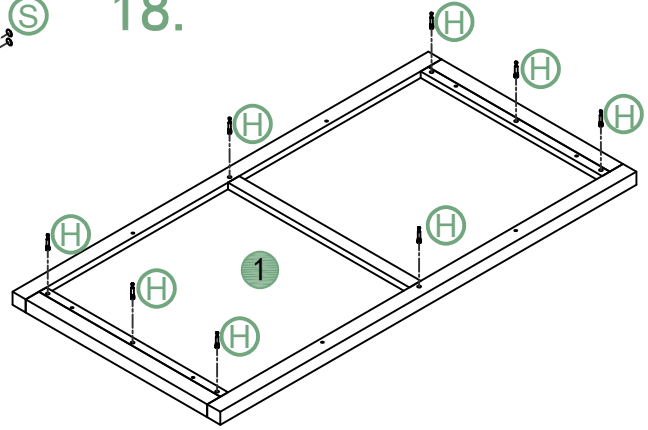


16.

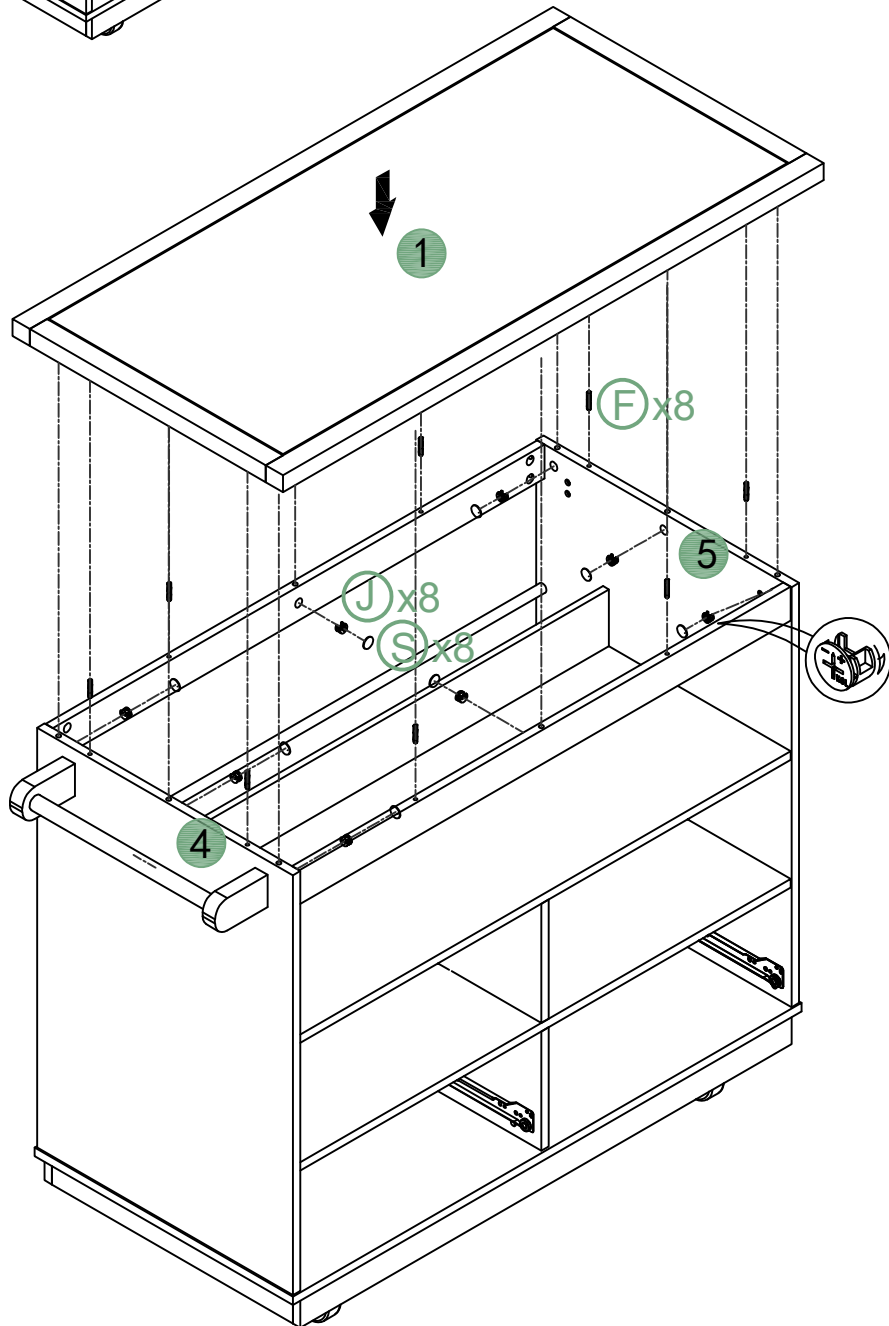




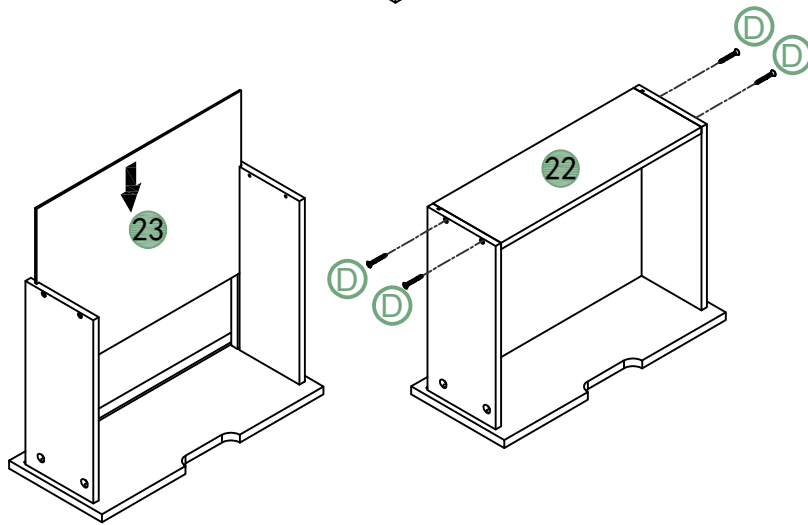
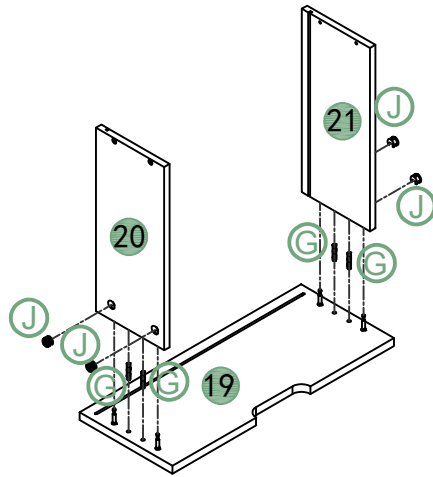
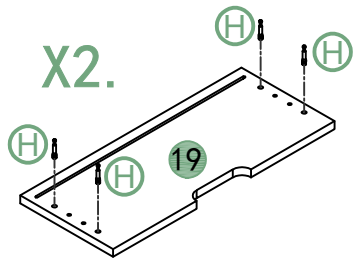
18.



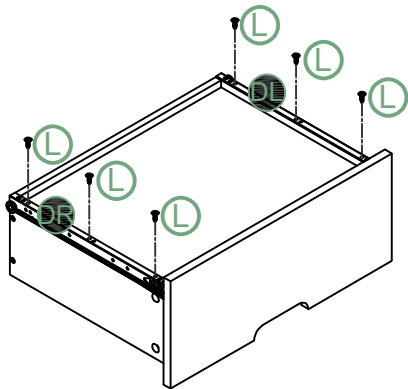
19.



20.



21.  
X2.



22.

