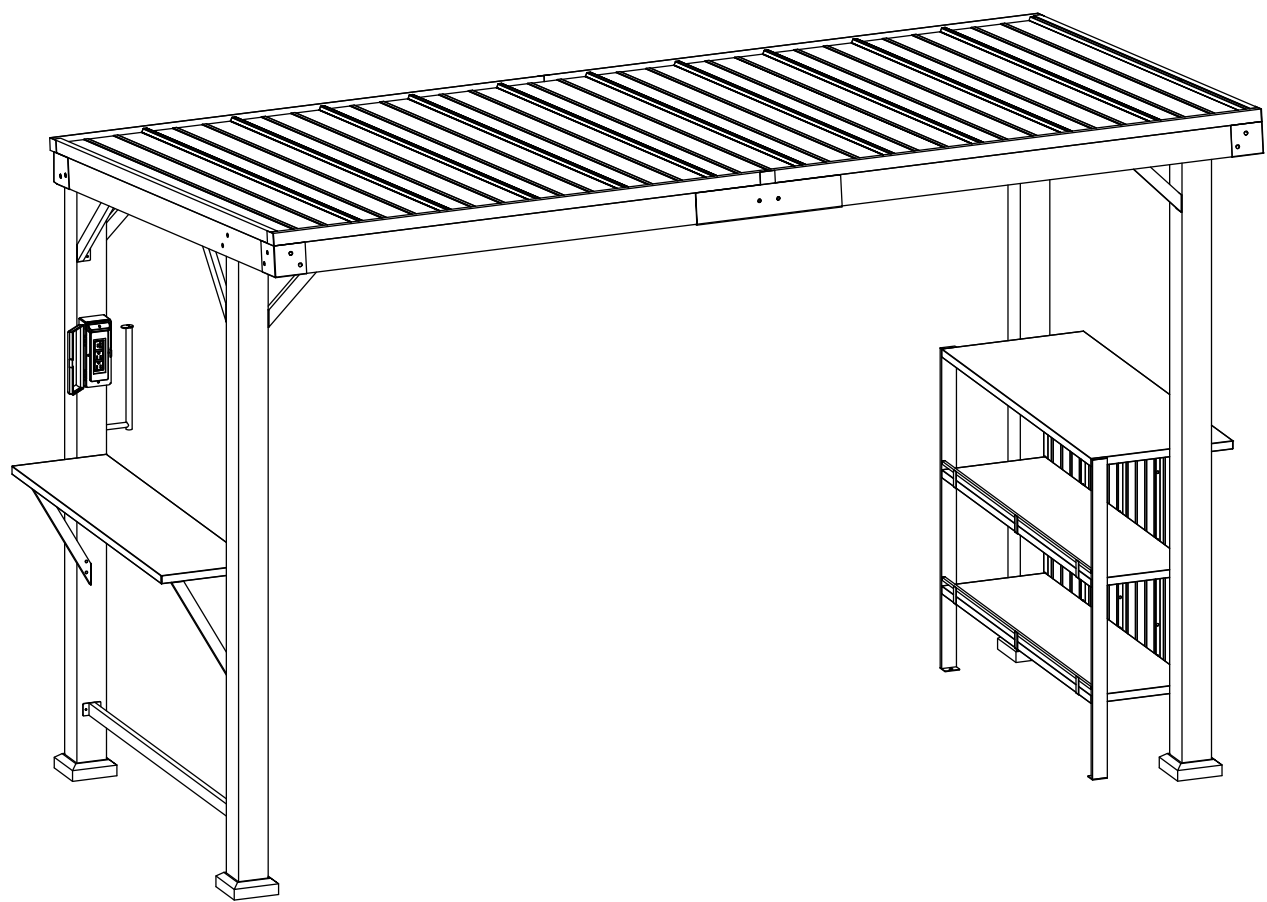


MODEL: IG10600150C-N3



OWNER'S MANUAL

The Woodberry 6'x12' Cedar Framed Hard Top Gazebo

TABLE OF CONTENTS


ASSEMBLY GUIDE.....02
USING YOUR PRODUCT.....05

January 15, 2026

QUESTIONS?

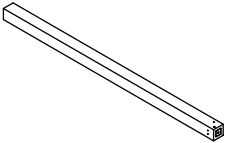
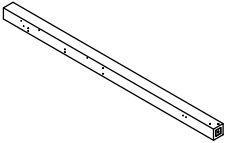
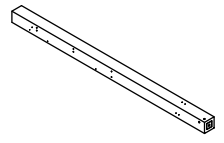
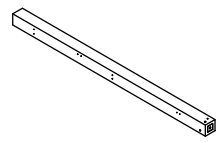
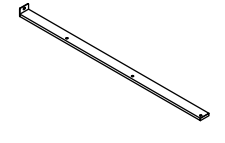
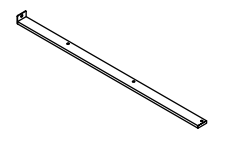
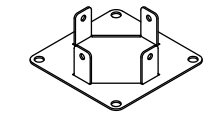
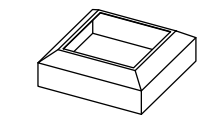
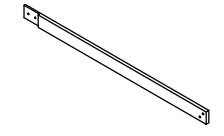
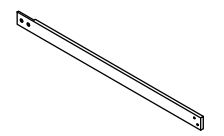
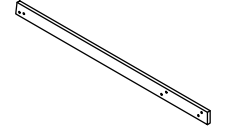
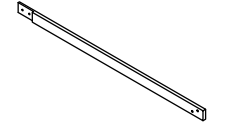
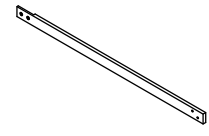
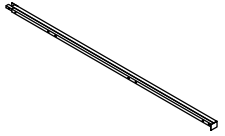
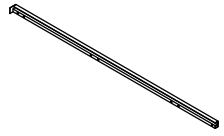
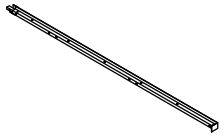
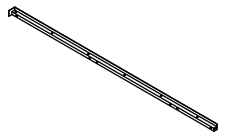
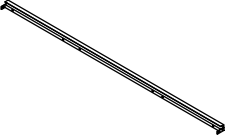
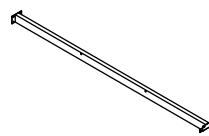
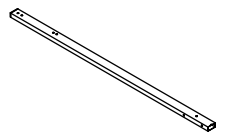
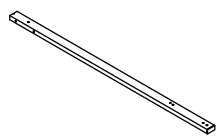
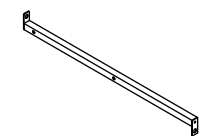
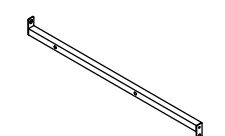
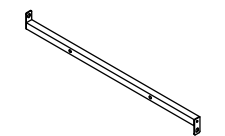
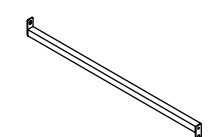
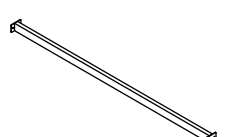
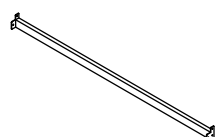
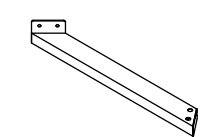
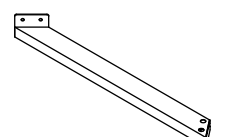
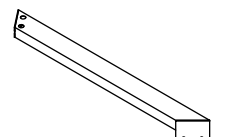
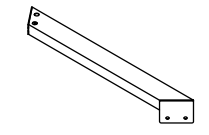
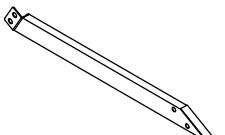
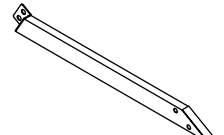
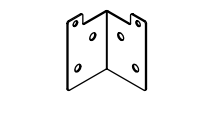
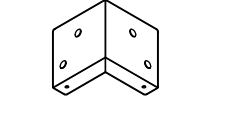
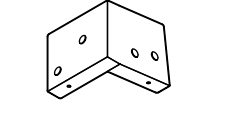
 **E-mail:** support@modernshade.org

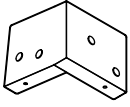
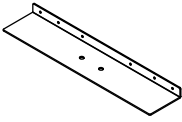
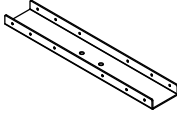
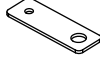
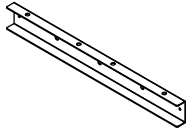
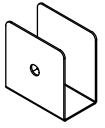
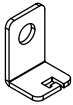
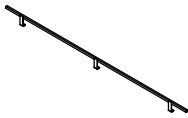
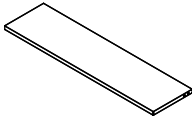
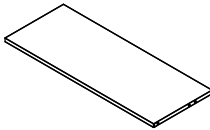
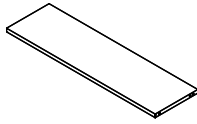
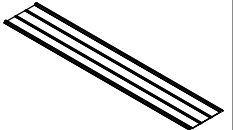
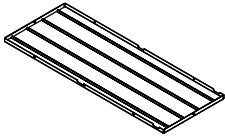
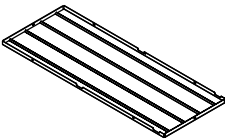
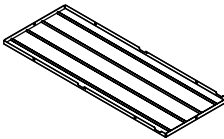
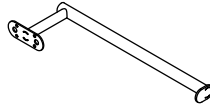
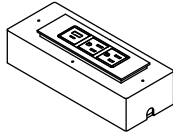
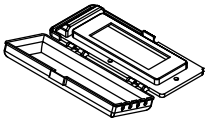
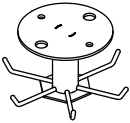
 **Toll Free Number:** 1-888-666-3070

 **Mon-Fri:** 9:00 AM - 5:00 PM PST.

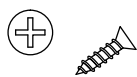
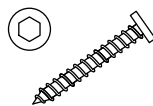
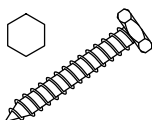


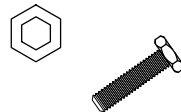
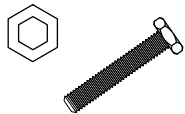
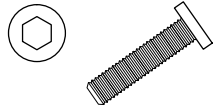
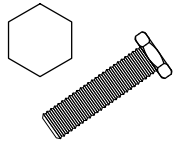
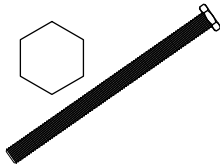

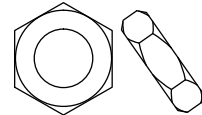
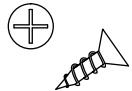
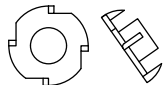





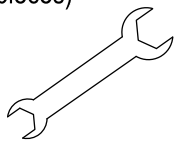
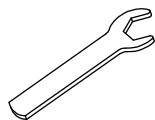
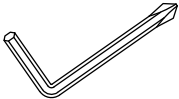
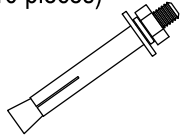
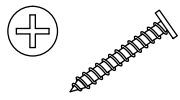
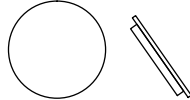
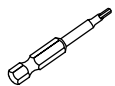
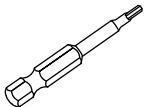
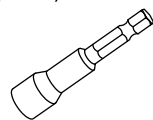
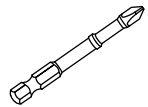
ASSEMBLY GUIDE

PARTS LIST

A1 Post 1 (1 piece) 	A2 Post 2 (1 piece) 	A3 Post 3 (1 piece) 	A4 Post 4 (1 piece) 	A9 Post 9 (1 piece) 	A10 Post 10 (1 piece) 
P0010006501	P0010006601	P0010006701	P0010006801	P0010009801	P0010009901
B Foot Base (4 pieces) 	C Foot Cover (4 pieces) 	D1 Cross Beam 1 (1 piece) 	D2 Cross Beam 2 (1 piece) 	D3 Cross Beam 3 (2 pieces) 	D4 Cross Beam 4 (1 piece) 
P0030000401	P0008009106	P0008009107	P0008009108	P0008009109	P0008009110
D5 Cross Beam 5 (1 piece) 	E1 Roof Border 1 (1 piece) 	E2 Roof Border 2 (1 piece) 	E3 Roof Border 3 (1 piece) 	E4 Roof Border 4 (1 piece) 	E5 Roof Border 5 (2 pieces) 
P0008009111	P0008009112	P0008009113	P0008009114	P0008009115	P0090019201
F Roof Rib (4 pieces) 	G1 Reinforced Beam 1 (1 piece) 	G2 Reinforced Beam 2 (1 piece) 	H1 Roof Support 1 (2 pieces) 	H2 Roof Support 2 (2 pieces) 	H3 Roof Support 3 (1 piece) 
P0090018701	P0040015201	P0040015301	P0008009120	P0008009121	P0008009122
H4 Roof Support 4 (5 pieces) 	J1 Bottom Cross Beam 1 (1 piece) 	J2 Bottom Cross Beam 2 (1 piece) 	K1 Support Bracket 1 (3 pieces) 	K2 Support Bracket 2 (1 piece) 	K3 Support Bracket 3 (1 piece) 
P0008009123	P0008009124	P0008009125	P0050007401	P0050007501	P0050007601
K4 Support Bracket 4 (3 pieces) 	K5 Support Bracket 5 (1 piece) 	K6 Support Bracket 6 (1 piece) 	L1 Connector 1 (2 pieces) 	L2 Connector 2 (2 pieces) 	L3 Connector 3 (1 piece) 
P0050007701	P0008009129	P0008009130	P0008009131	P0008009132	P0008009133

<p>L4 Connector 4 (1 piece)</p> 	<p>L5 Connector 5 (1 piece)</p> 	<p>L6 Connector 6 (1 piece)</p> 	<p>L7 Connector 7 (4 pieces)</p> 	<p>L8 Connector 8 (1 piece)</p> 	<p>L9 Connector 9 (1 piece)</p> 
<p>P0008009134</p>	<p>P0110005101</p>	<p>P0110005201</p>	<p>P0008009137</p>	<p>P0008009138</p>	<p>P0110006801</p>
<p>L10 Connector 10 (3 pieces)</p> 	<p>M Shield (2 pieces)</p> 	<p>N1 Shelf 1 (1 piece)</p> 	<p>N2 Shelf 2 (1 piece)</p> 	<p>N3 Shelf 3 (2 pieces)</p> 	<p>R Roof Plate (11 pieces)</p> 
<p>P0060014301</p>	<p>P0008009141</p>	<p>P0008009142</p>	<p>P0140000901</p>	<p>P0140001001</p>	<p>P0130008799</p>
<p>S1 Side panel 1 (1 piece)</p> 	<p>S2 Side panel 2 (1 piece)</p> 	<p>S3 Side panel 3 (2 pieces)</p> 	<p>T Paper Tower Rack (1 piece)</p> 	<p>U Patch Panel Case (1 piece)</p> 	<p>V Patch Panel Cover (1 piece)</p> 
<p>P0150000601</p>	<p>P0150000701</p>	<p>P0150000801</p>	<p>P1000000901</p>	<p>P0240000201</p>	<p>P0260000101</p>
<p>W Rotatable Rack (2 pieces)</p> 					
<p>P1000001001</p>					

HARDWARE

AA Bolt M5*20 (94+5 pieces) 	BB Bolt M6*45 (24+3 pieces) 	CC Bolt M10*65 (6+1 pieces) 	DD Bolt M5*25 (22+2 pieces) 	EE Bolt M6*15 (88+4 pieces) 	FF Bolt M6*25 (6+1 pieces) 
H0008008144	H0008008137	H0008008100	H0008008138	H0008008001	H0008008102
GG Bolt M6*35 (4+1 pieces) 	HH Bolt M8*30 (4+1 pieces) 	JJ Bolt M10*40 (8+1 pieces) 	LL Bolt M10*140 (6+1 pieces) 	MM Screw Nut M6 (6+1 pieces) 	NN Anti-slip Screw Nut M10 (14+2 pieces) 
H0008008116	H0008008104	H0008008148	H0008008150	H0008008039	H0008008126
PP Bolt M3*9 (4+1 pieces) 	QQ Four-claw Screw Nut M8*8 (4+2 pieces) 	RR M5 Flat washer (34+3 pieces) 	SS M6 Flat washer (128+6 pieces) 	TT M8 Flat washer (4+1 pieces) 	UU M10 Flat washer (34+2 pieces) 
H0008008092	H0008008127	H0008008056	H0008008057	H0008008058	H0008008141
VV M5 Sealant Washer (10+1 pieces) 	WW Double Open End Wrench M6/M8 (2 pieces) 	XX Wrench M10 (2 pieces) 	YY M6 Allen Key with Screw Driver (1 piece) 	ZZ M6 Allen Key (1 piece) 	ZZM Concrete Anchor M6*60 (10 pieces) 
H0008008059	H0008008062	H0008008142	H0008008132	H0008008133	H0008008095
ZZN Bolt M5*35 (12+1 pieces) 	ZZP Plastic Clip 2 (4+1 pieces) 	ZZQ M6 Hex drill bit (1 piece) 	ZZR M8 Hex drill bit (1 piece) 	ZZS M10 Hex socket drill bit (1 piece) 	ZZT Phillips drill bit (1 piece) 
H0008008135	H0008008114	H0008008209	H0008008210	H0008008208	H0008008215

IMPORTANT:

This instruction manual contains important information necessary for the proper assembly and safe use of the product.

Read and follow all warnings and instructions before assembling and using the product.

Follow all warnings and instructions when using the product.

Keep this manual for future reference.

Installer/Assembler: leave these instructions with the consumer.

SAFETY ALERT KEY

DANGER

Indicates a hazardous situation that, if not avoided, will result in death or serious injury.

WARNING

Indicates a hazardous situation that, if not avoided, could result in death or serious injury.

CAUTION

Indicates a hazardous situation that, if not avoided, could result in minor or moderate injury.

NOTICE

Indicates information considered important, but not hazard-related (e.g.messages related to property damage).

ASSEMBLY INSTRUCTIONS

- Please carefully unpack each of the components and hardware. check the components against the parts list and make sure there are no missing parts. lay pieces on cardboard or a soft mat to help protect the pieces from scratches.

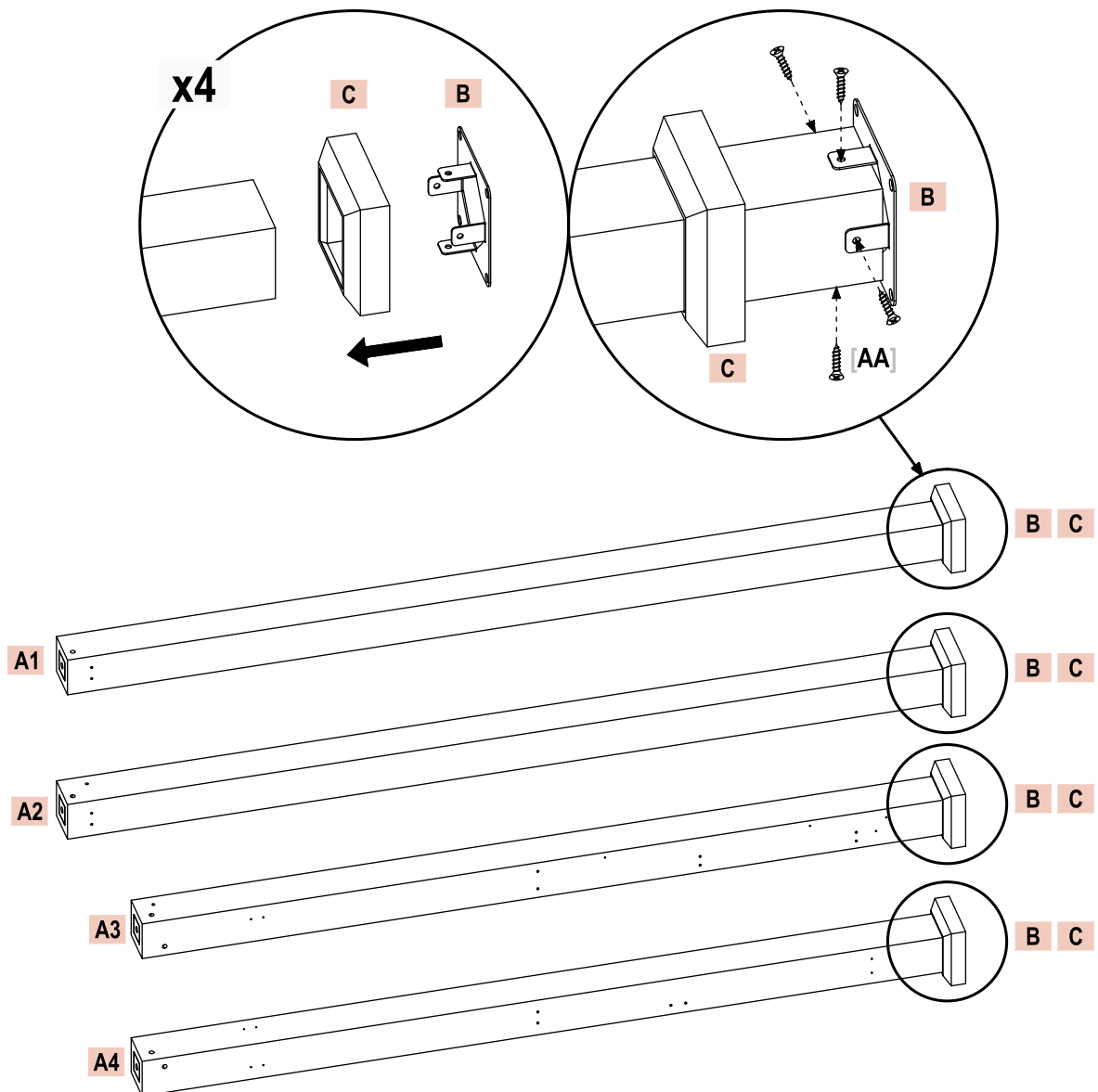
⚠ CAUTION

Watch for sharp edges when handling the pieces, wear gloves to avoid injury.

- For ease of assembly, it is recommended to have 3 or more people and allow enough time to completely finish the assembly. assembly can take 6-8 hours. a step-ladder is required for assembly (not included).
- Follow step by step instructions, and follow all safety warnings provided with your tools.
- DO NOT tighten screws until all the screws and washers are properly installed. Tighten screws securely, do not over tighten.
- Gazebo should not be used in inclement weather and high winds.

STEP 01 Slide foot base **B** and foot cover **C** onto post **A1** .
Use four (4) **[AA]** bolts to attach foot base **B** to post **A1** .
Repeat with the post **A2** , **A3** and **A4** .

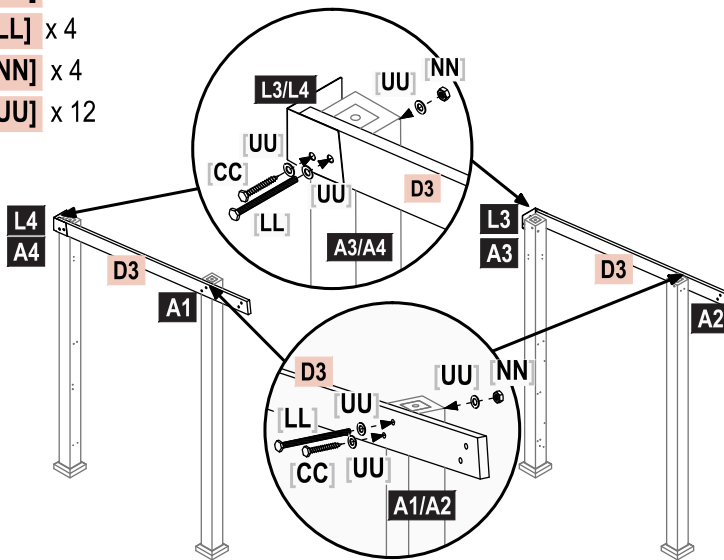
[AA] x 16



STEP 02 Attach cross beam **D3** and connector **L4** to left **A4** post using one (1) **[CC]** bolt and **[UU]** washer in the outer hole, and one (1) **[LL]** bolt, two (2) **[UU]** washers, and one (1) **[NN]** nut in the inner hole. Attach the cross beam to right **A1** post using one (1) **[LL]** bolt, two (2) **[UU]** washers, and one (1) **[NN]** nut in the top hole, and one (1) **[CC]** bolt and **[UU]** washer in the bottom hole.

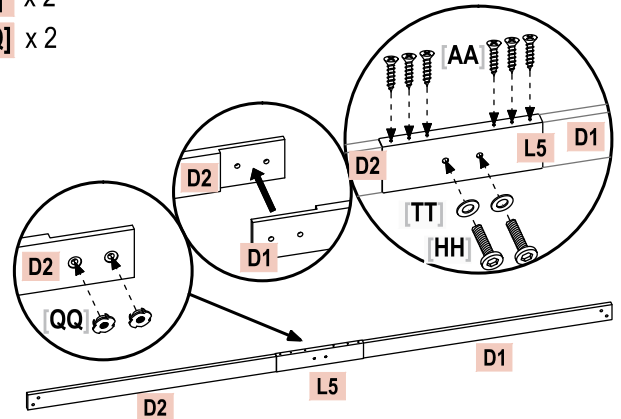
Repeat to make a second assembly with cross beam **D3** with left post **A2** and right post **A3**, as well as connector **L3**.

- [CC]** x 4
- [LL]** x 4
- [NN]** x 4
- [UU]** x 12



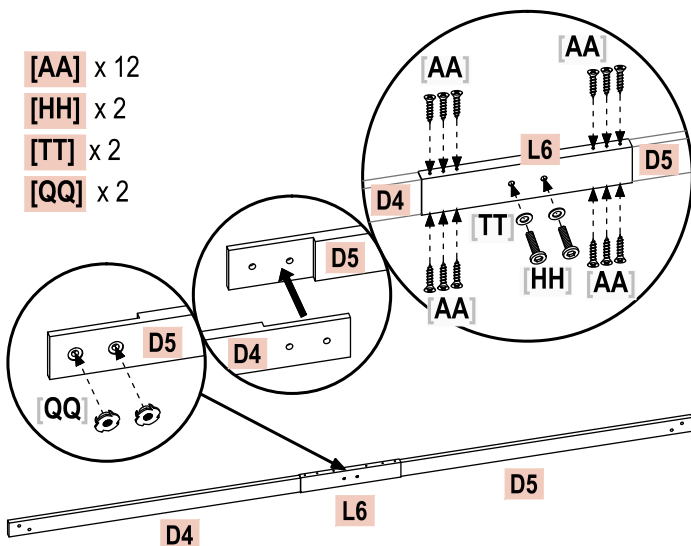
STEP 03 Attach two (2) **[QQ]** nuts to cross beam **D2**. Put cross beam **D1** and **D2** together. Use six (6) **[AA]** bolts to attach the top of connector **L5** to cross beam **D1** and **D2**. Use two (2) **[HH]** bolts and two (2) **[TT]** flat washers to attach the front side of **L5** to cross beams.

- [AA]** x 6
- [HH]** x 2
- [TT]** x 2
- [QQ]** x 2



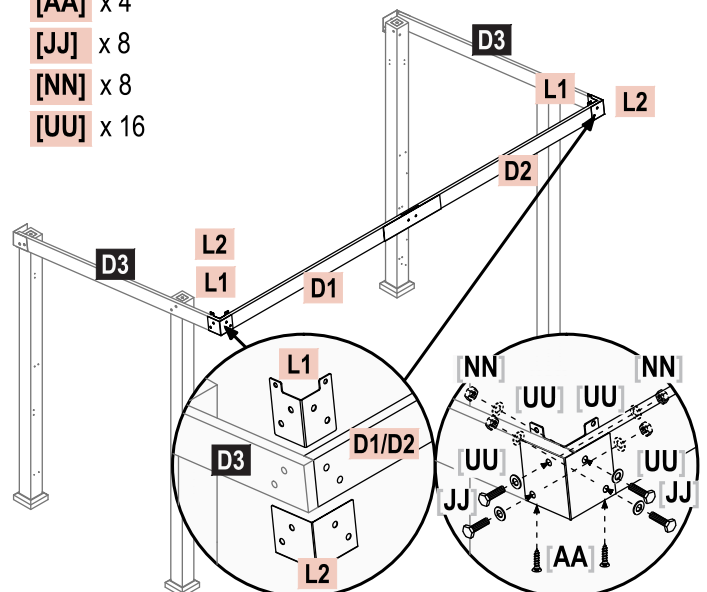
STEP 04 Attach two (2) **[QQ]** nuts to cross beam **D5**. Put cross beam **D4** and **D5** together. Use six (6) **[AA]** bolts to attach the top of connector **L6** to cross beam **D4** and **D5**. Use two (2) **[HH]** bolts and two (2) **[TT]** flat washers to attach the front side of **L6** to cross beams. Use six (6) **[AA]** bolts to attach the bottom of connector **L6** to cross beams.

- [AA]** x 12
- [HH]** x 2
- [TT]** x 2
- [QQ]** x 2



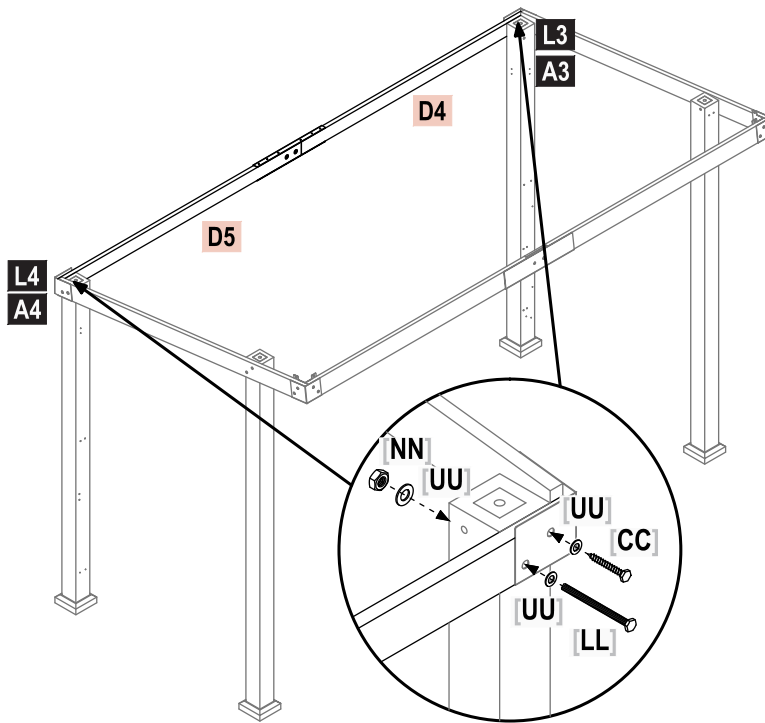
STEP 05 Connect the Cross Beam assembly from Step 3 to the side of the gazebo with a Connector 1 **L1** on the inside and a Connector 2 **L2** on the outside. Insert two (2) M10*40 Bolts **[JJ]** with M10 Flat Washers **[UU]** on each side and secure with two (2) M10 Anti-Slip Screw Nuts **[NN]** on the inside. Below the corner, secure the corner with two (2) M5*20 Bolts **[AA]**.

- [AA]** x 4
- [JJ]** x 8
- [NN]** x 8
- [UU]** x 16

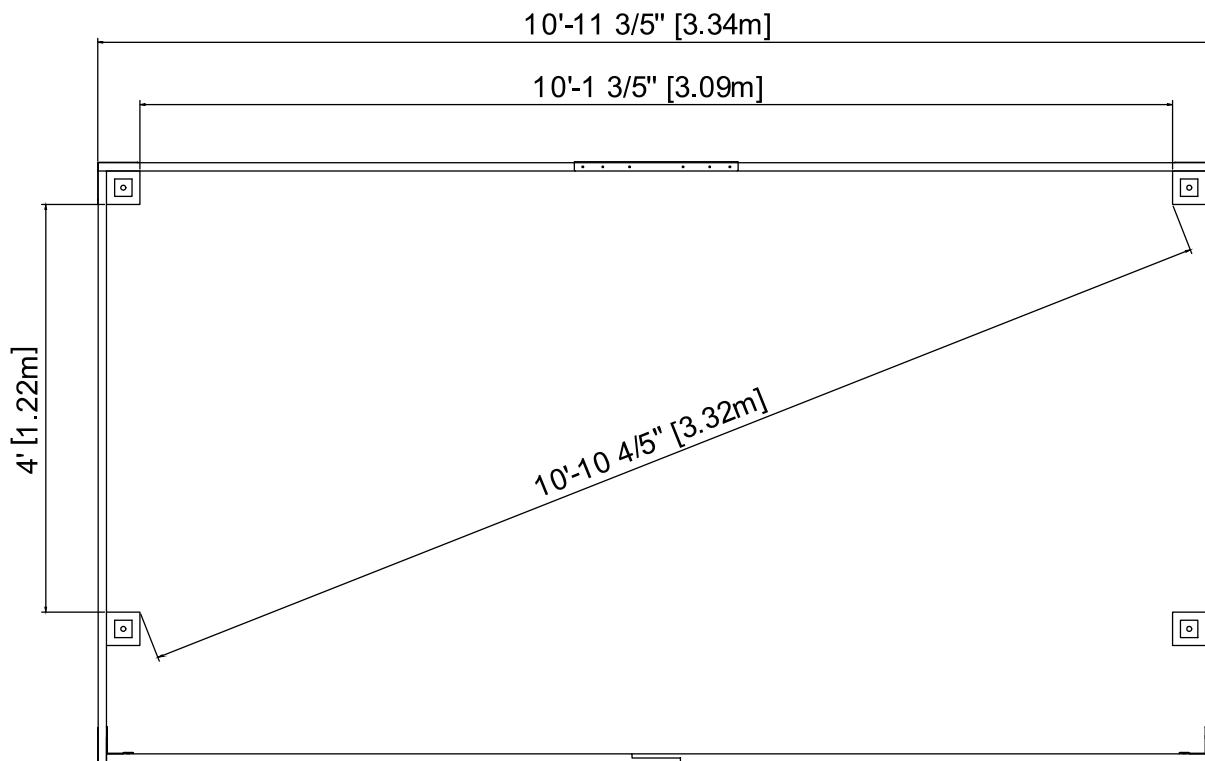


STEP 06 Attach the Cross Beam assembly from Step 4 to the other side of the gazebo. Use one (1) M10*140 Bolt [LL] with two (2) M10 Flat Washers [UU] and one M10 Anti-Slip Screw Nut [NN], and one (1) M10*65 Bolt [CC] with one (1) M10 Flat Washer [UU] in each corner.

- [CC] x 2
- [LL] x 2
- [NN] x 2
- [UU] x 6



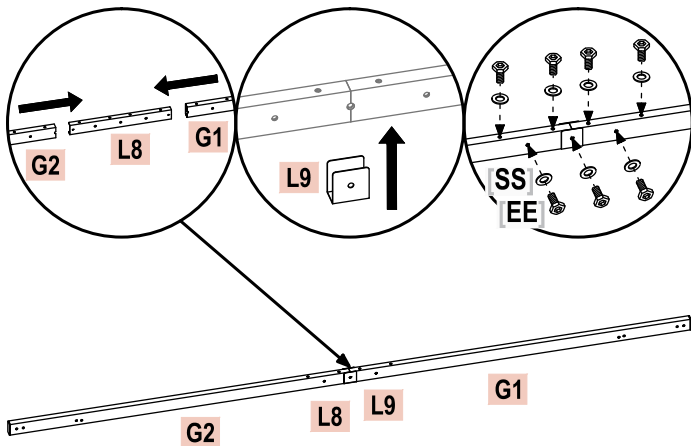
STEP 07 CRITICAL: SQUARE UNIT BEFORE PROCEEDING TO NEXT STEPS. ONCE SQUARE, TIGHTEN ALL HARDWARE.



STEP 08 Slide one Connector 8 **L8** into the ends of one (1) Reinforced Beam 1 **G1** and one (1) Reinforced Beam 2 **G2**. Slide one (1) Connector 9 **L9** over the center of the connection and secure all parts together using seven (7) M6 Flat Washers **[SS]** and seven (7) M6*15 Bolts **[EE]**.

[EE] x 7

[SS] x 7

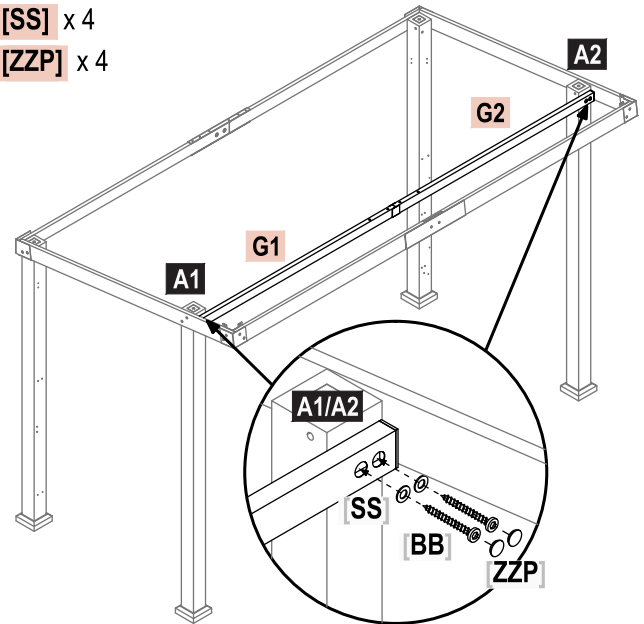


STEP 09 Use two (2) **[ZZP]** plastic clips, two (2) **[BB]** bolts and two (2) **[SS]** flat washers to attach each end of reinforced beam assembly **G1**, **G2** to post **A1** and **A2**.

[BB] x 4

[SS] x 4

[ZZP] x 4



STEP 10 Use two (2) **[ZZN]** bolts and two (2) **[RR]** flat washers to attach the upper end of support bracket **K1** to cross beams. Use two (2) **[AA]** bolts to attach the lower end of support bracket **K1** to the posts. Repeat with the other **K1** and two (2) **K4**. Use two (2) **[GG]** bolts and two (2) **[SS]** flat washers to attach the upper end of support bracket **K4** to reinforced beam **G1**, **G2**. Use two (2) **[AA]** bolts to attach the lower end of support bracket **K4** to the posts. Repeat with one (1) **K1**.

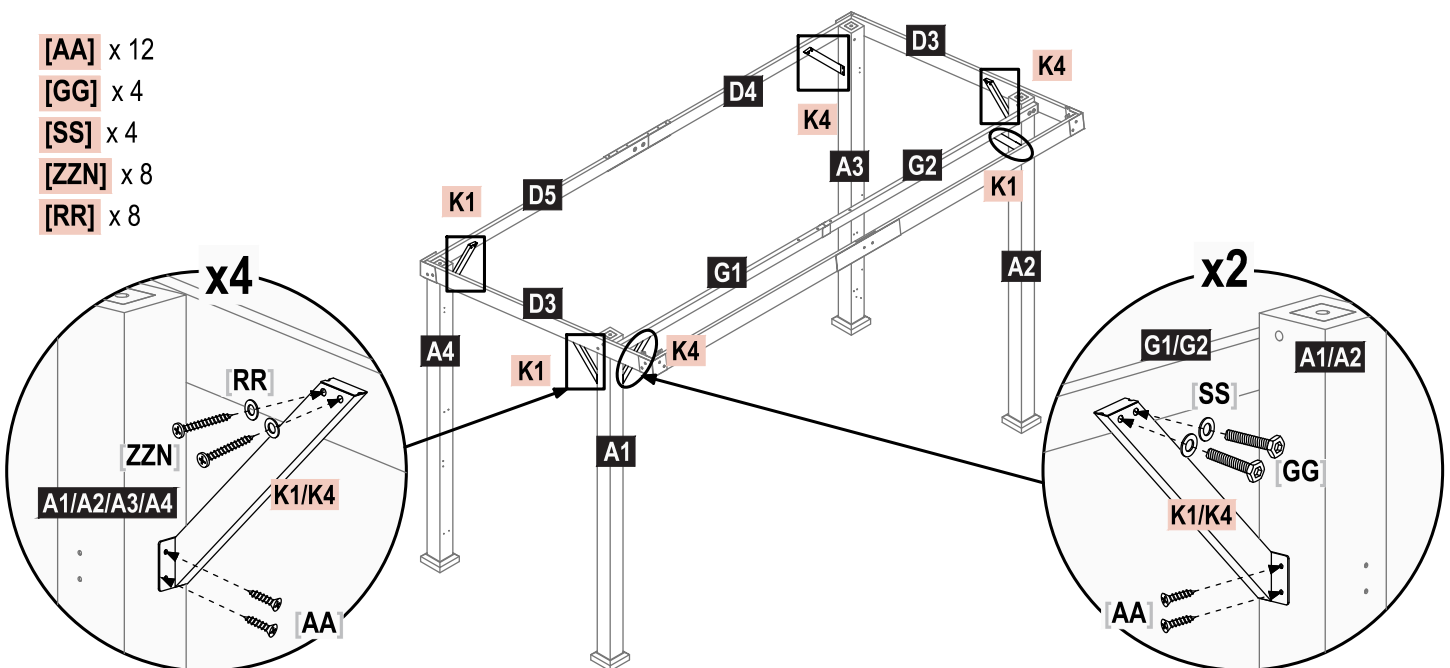
[AA] x 12

[GG] x 4

[SS] x 4

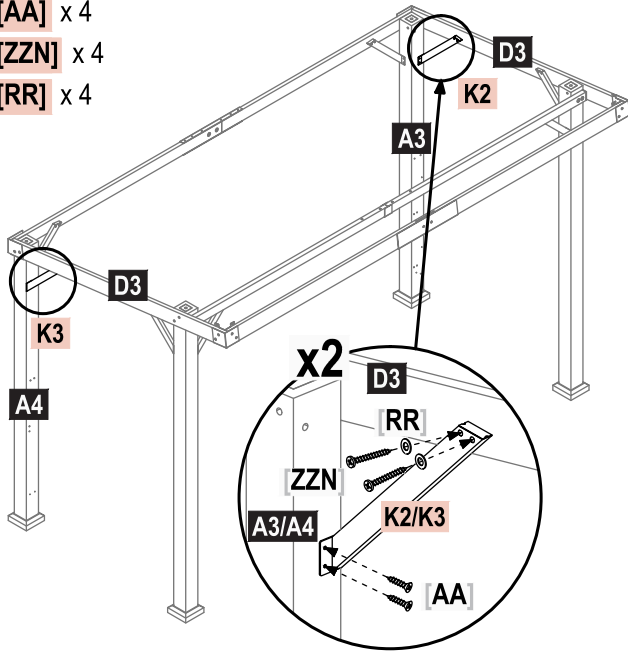
[ZZN] x 8

[RR] x 8



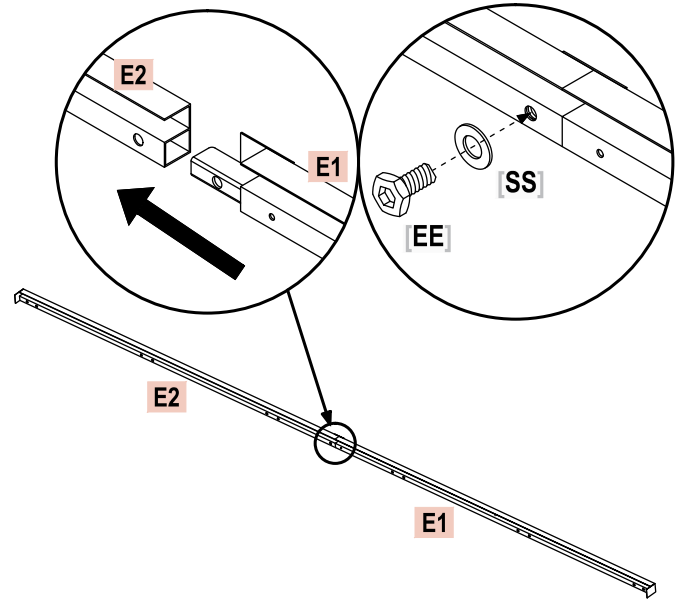
STEP 11 Use two (2) [ZZN] bolts and two (2) [RR] flat washers to attach the upper end of support bracket **K2** to cross beam **D3**. Use two (2) [AA] bolts to attach the lower end of support bracket **K2** to the posts. Repeat with support bracket **K3**.

- [AA] x 4
- [ZZN] x 4
- [RR] x 4



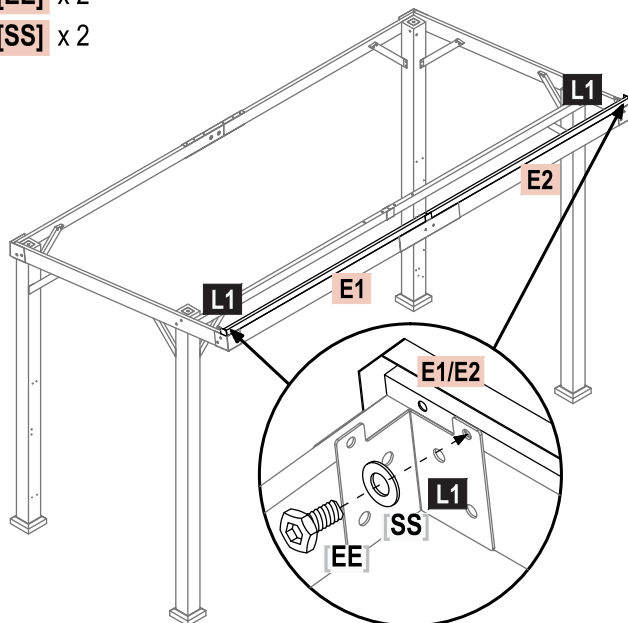
STEP 12 Slide together the ends of one (1) Roof Border 1 **E1** and one (1) Roof Border 2 **E2**, and secure them using one (1) M6*15 Bolt **[EE]** and one (1) M6 Flat Washer **[SS]**.

- [EE] x 1
- [SS] x 1



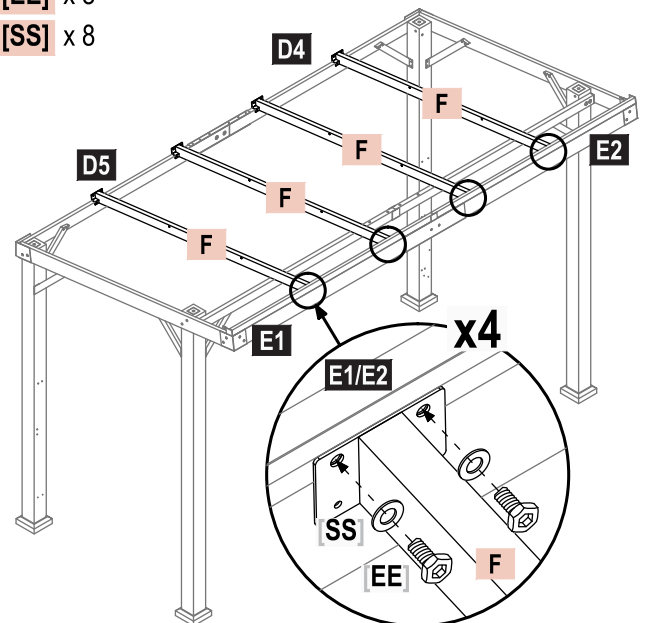
STEP 13 Attach the assembly from Step 12 to the gazebo using one (1) M6*15 Bolt **[EE]** and one (1) M6 Flat Washer **[SS]** on each end.

- [EE] x 2
- [SS] x 2



STEP 14 Attach the four (4) Roof Ribs **F** along the top of the gazebo using two (2) M6*15 Bolts **[EE]** and two (2) M6 Flat Washers **[SS]** in the upper hole at each end.

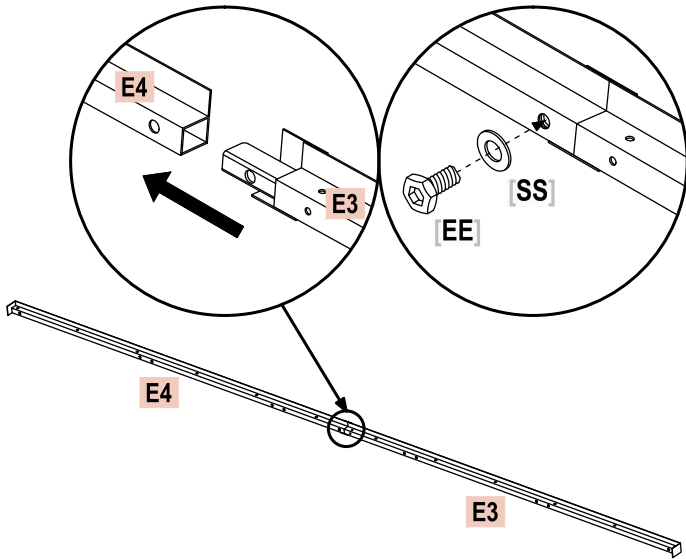
- [EE] x 8
- [SS] x 8



STEP 15 Slide together the ends of one (1) Roof Border 3 **E3** and one (1) Roof Border 4 **E4**, and secure them with one (1) M6*15 Bolt **[EE]** and one (1) M6 Flat Washer **[SS]**.

[EE] x 1

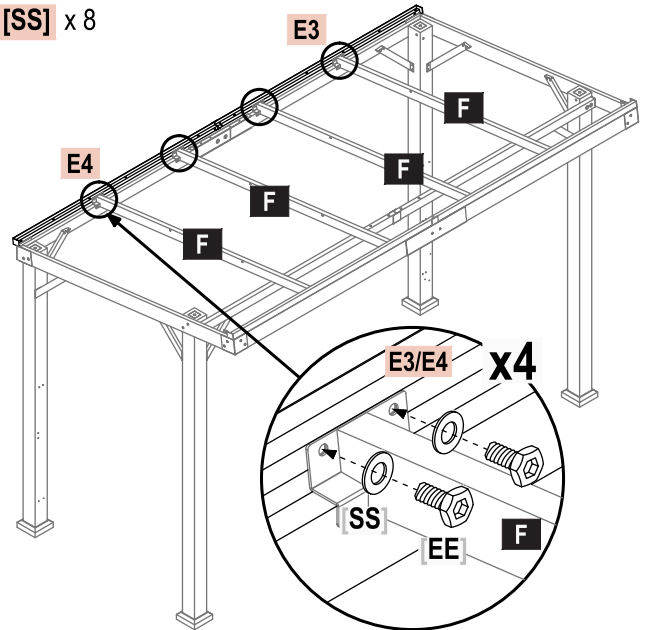
[SS] x 1



STEP 16 Attach the assembly from Step 15 to the gazebo using two (2) M6*15 Bolts **[EE]** and two (2) M6 Flat Washers **[SS]** on each end.

[EE] x 8

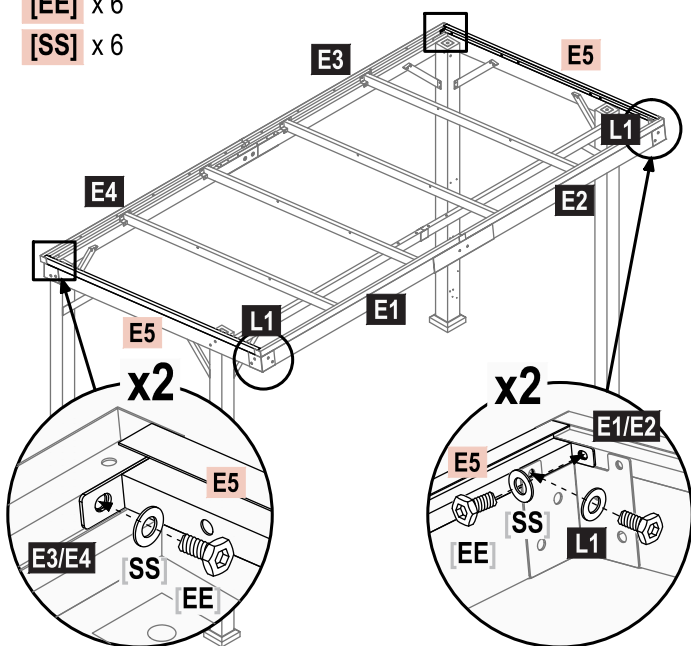
[SS] x 8



STEP 17 Attach one (1) Roof Border 5 **E5** to each end of the gazebo using three (3) M6*15 Bolts **[EE]** and three (3) M6 Flat Washer **[SS]** on each.

[EE] x 6

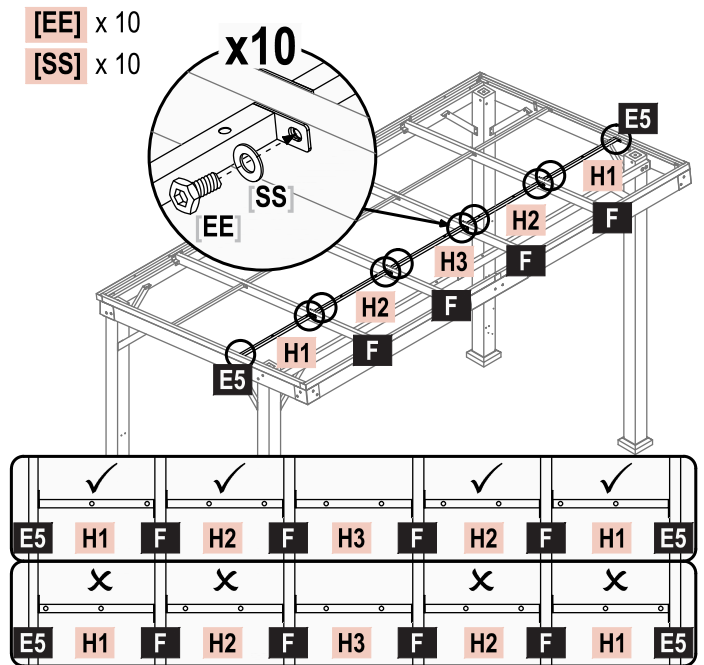
[SS] x 6



STEP 18 Attach two (2) Roof Support 1 **H1**, two (2) Roof Support 2 **H2**, and one Roof Support 3 **H3** in the order shown in the diagram using two (2) M6*15 Bolts **[EE]** and two (2) M6 Flat Washers **[SS]** on each. Make sure that the holes align with the diagram.

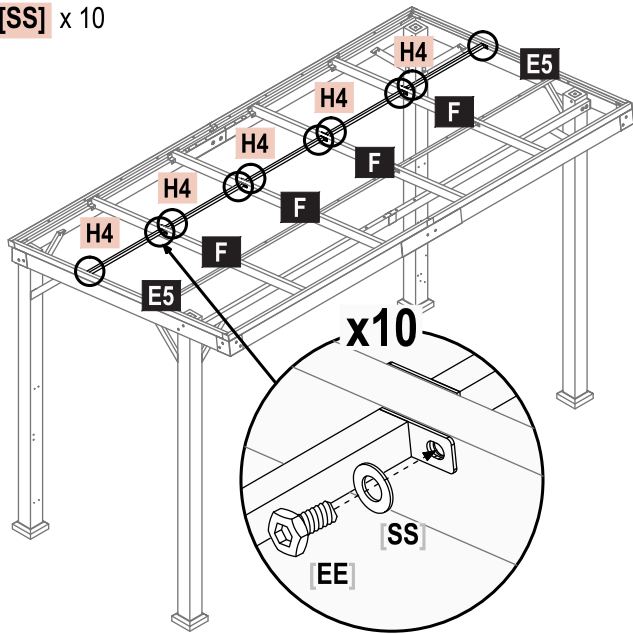
[EE] x 10

[SS] x 10



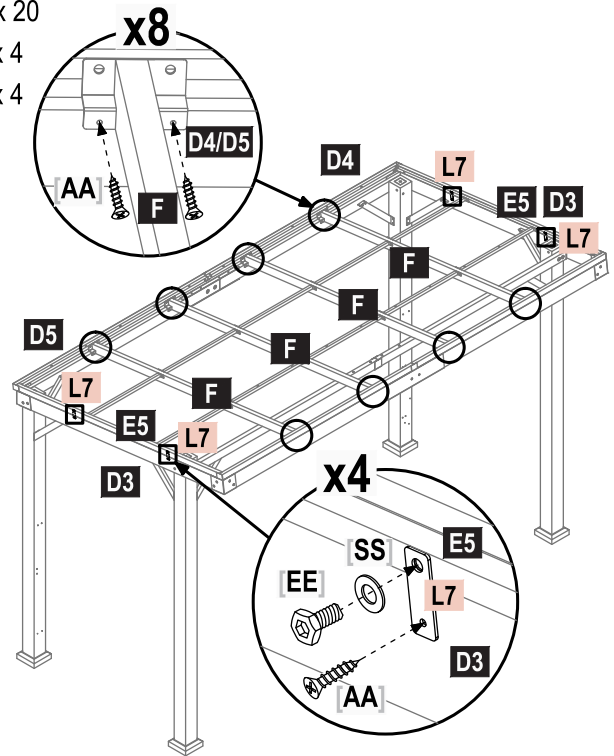
STEP 19 Attach five (5) Roof Support 4 **H4** to the other side of the gazebo using two (2) M6*15 Bolts **[EE]** and two (2) M6 Flat Washers **[SS]** on each.

- [EE]** x 10
- [SS]** x 10



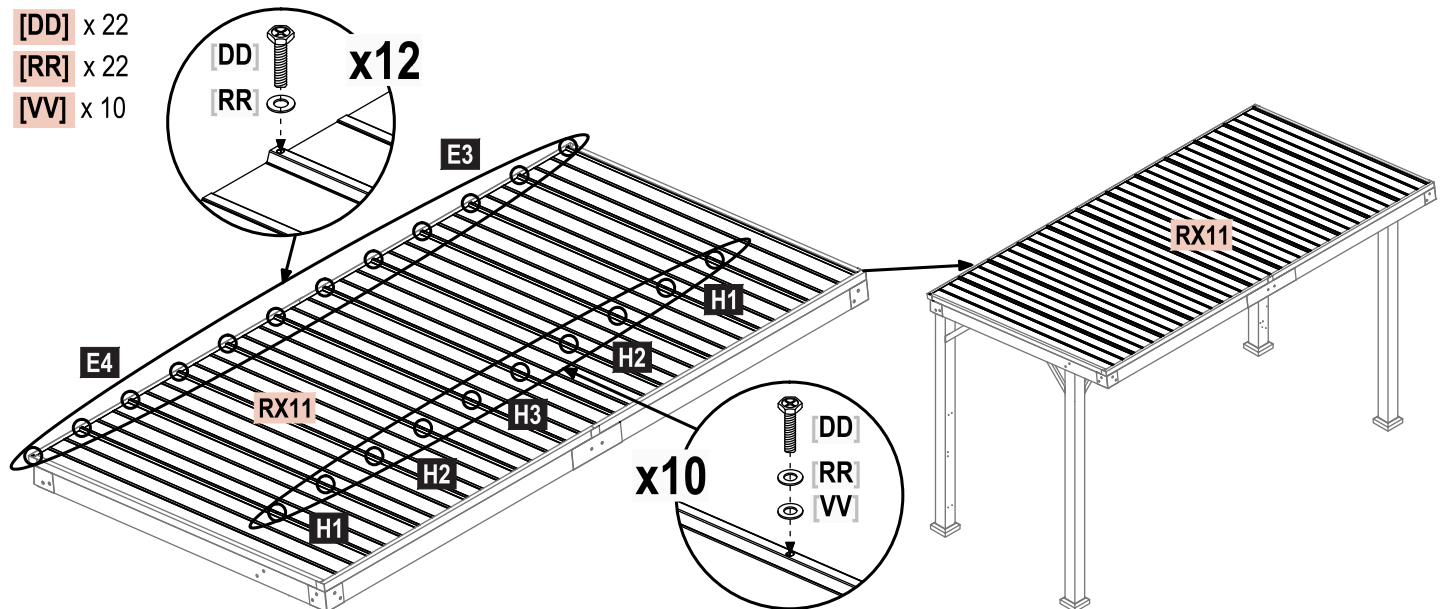
STEP 20 Secure both ends of each Roof Rib **F** using two (2) M5*20 Bolts **[AA]** on each end. Then, add two (2) Connector 7 **L7** to each end of the gazebo using one (1) M5*20 Bolt **[AA]** in the bottom hole and one (1) M6*15 Bolt **[EE]** with one (1) M6 Flat Washer **[SS]** in the top hole.

- [AA]** x 20
- [EE]** x 4
- [SS]** x 4



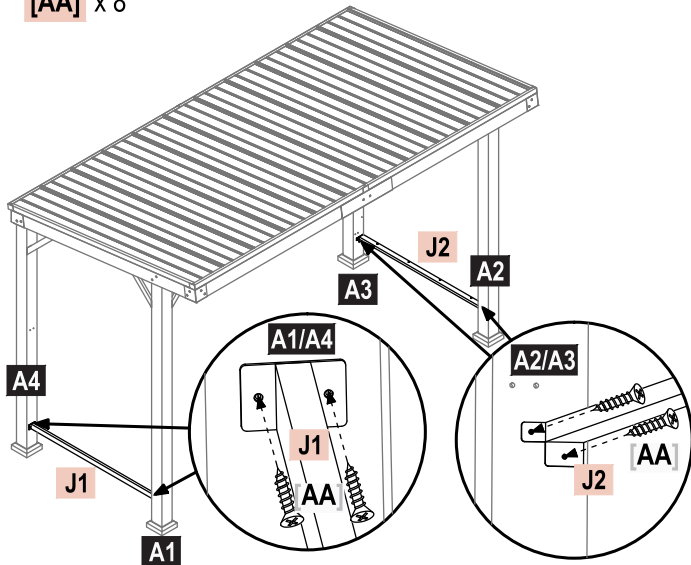
STEP 21 Attach the eleven (11) Roof Plates **R** to the top of the gazebo by inserting one (1) M5*25 Bolt **[DD]** and one (1) M5 Flat Washer **[RR]** in each hole along the back row. Then, use one (1) M5*25 Bolt **[DD]**, one (1) M5 Flat Washer **[RR]**, and one (1) M5 Sealant Washer **[VV]** in each hole along the row of Roof Supports.

- [DD]** x 22
- [RR]** x 22
- [VV]** x 10



STEP 22 Attach one (1) Bottom Cross Beam 1 **J1** between Post 1 **A1** and Post 4 **A4** using two (2) M5*20 Bolts **[AA]** on each end. Attach one (1) Bottom Cross Beam 2 **J2** between Post 2 **A2** and Post 3 **A3** using two (2) M5*20 Bolts **[AA]** on each end.

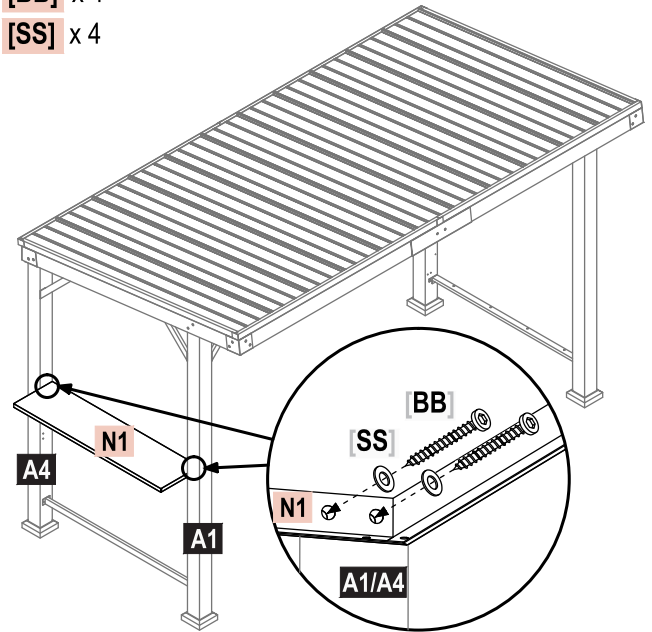
[AA] x 8



STEP 23 Attach one (1) Shelf 1 **N1** between Post 1 **A1** and Post 4 **A4** using two (2) M6*45 Bolts **[BB]** and two (2) M6 Flat Washers **[SS]** on each end.

[BB] x 4

[SS] x 4

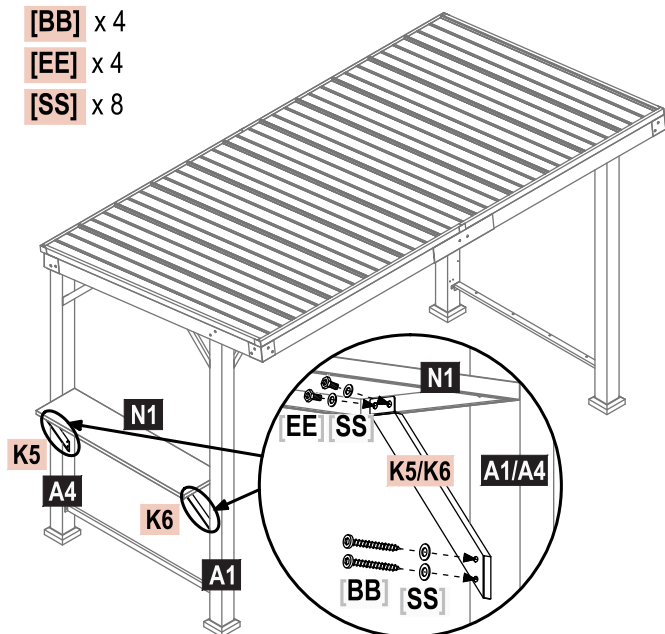


STEP 24 Add one (1) Support Bracket 5 **K5** on the left side and one (1) Support Bracket 6 **K6** to the right side of Shelf 1 **N1** using two (2) M6*45 Bolts **[BB]** and two (2) M6 Flat Washers **[SS]** on the bottom and two (2) M6*15 Bolts **[EE]** and two (2) M6 Flat Washers **[SS]** on the top.

[BB] x 4

[EE] x 4

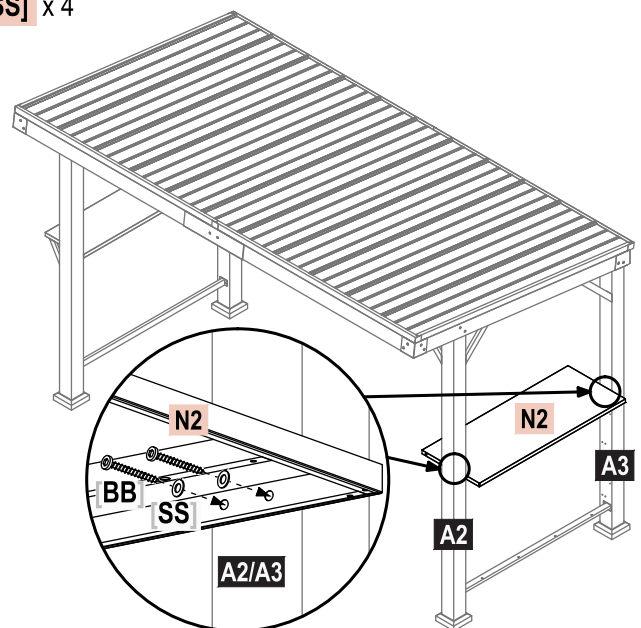
[SS] x 8



STEP 25 Attach one (1) Shelf 2 **N2** between Post 2 **A2** and Post 3 **A3** using two (2) M6*45 Bolts **[BB]** and two (2) M6 Flat Washers **[SS]** on each end.

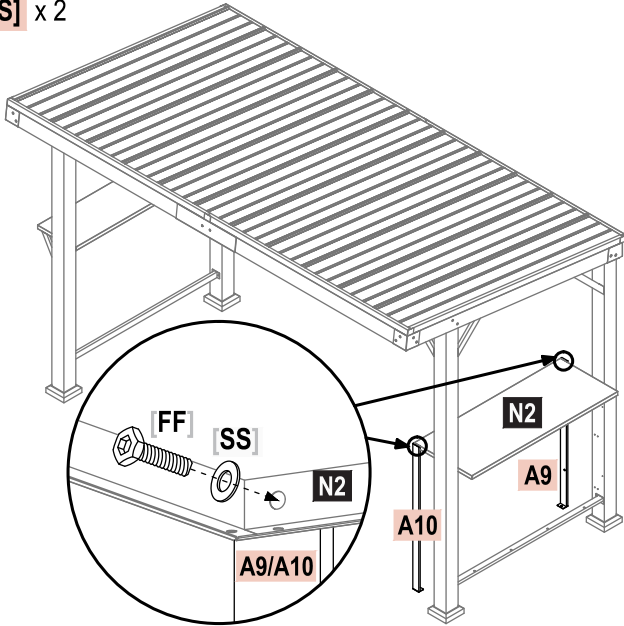
[BB] x 4

[SS] x 4



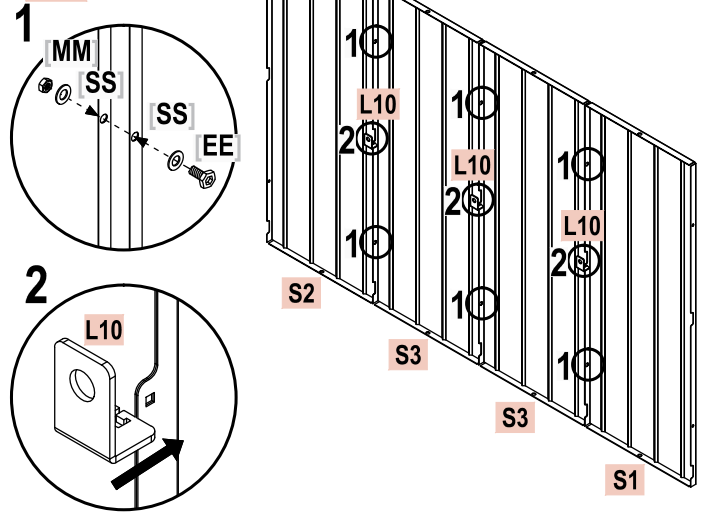
STEP 26 Add Post 9 **A9** to the right side of Shelf 2 **N2** and Post 10 **A10** to the left side of Shelf 2 **N2** inside the gazebo using one (1) M6*25 Bolt **[FF]** and one (1) M6 Flat Washer **[SS]** each.

- [FF]** x 2
- [SS]** x 2



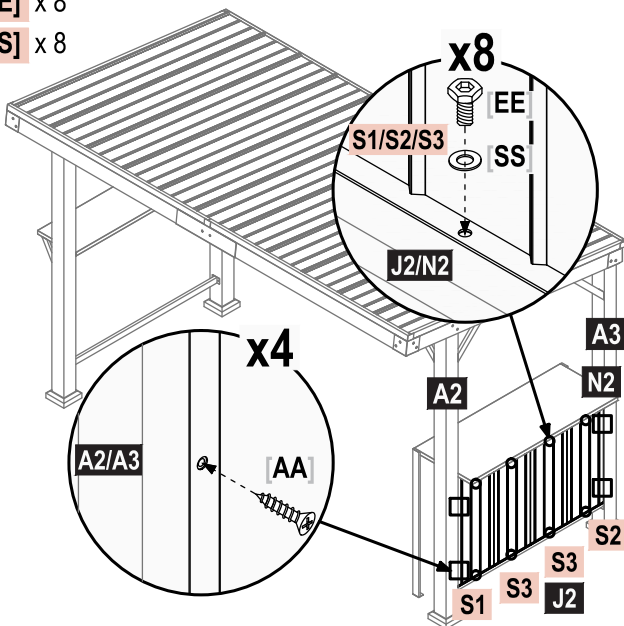
STEP 27 Assemble the side panel by attaching one (1) Side Panel 2 **S2**, two (2) Side Panel 3 **S3**, and one (1) Side Panel 1 **S1** together in that order using one (1) M6*15 Bolt **[EE]** with two (2) M6 Flat Washers **[SS]** and one (1) M6 Screw Nut in each hole. Then, slide one (1) Connector 10 **L10** onto the connection point halfway down each plate.

- [EE]** x 6
- [MM]** x 6
- [SS]** x 12



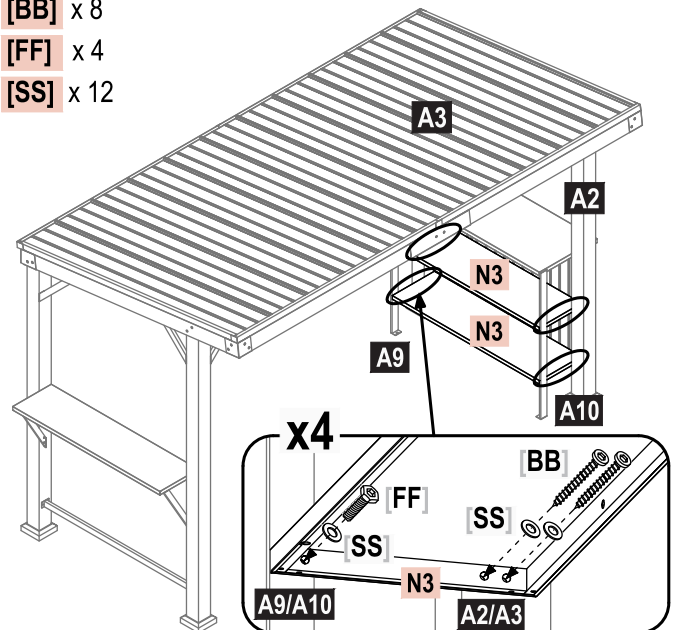
STEP 28 Attach the side panel assembly below Shelf 2 **N2** using four (4) M5*20 Bolts **[AA]** on the sides. Along the top and bottom, use one (1) M6*15 Bolt **[EE]** and one (1) M6 Flat Washer **[SS]** per hole.

- [AA]** x 4
- [EE]** x 8
- [SS]** x 8



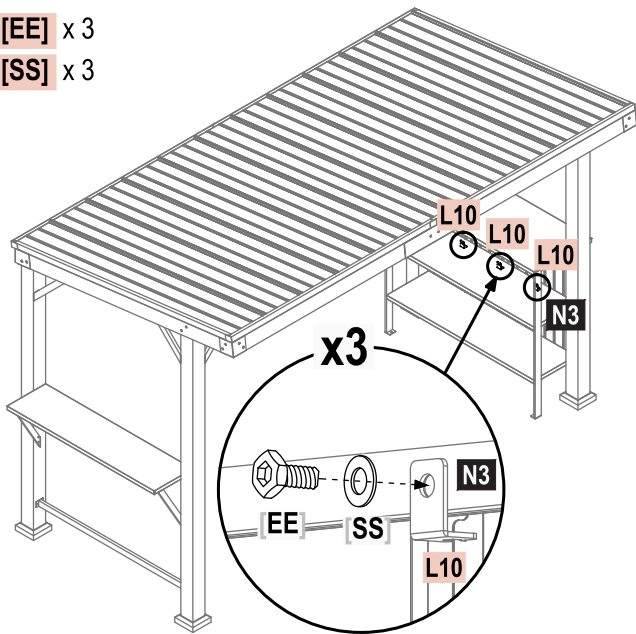
STEP 29 Attach two (2) Shelf 3 **N3** along the inside of the side panel. Use two (2) M6*45 Bolts **[BB]** and two (2) M6 Flat Washers **[SS]** to connect to the large posts, and use two (2) M6*25 Bolts **[FF]** and two (2) M6 Flat Washers **[SS]** to attach to the small posts.

- [BB]** x 8
- [FF]** x 4
- [SS]** x 12



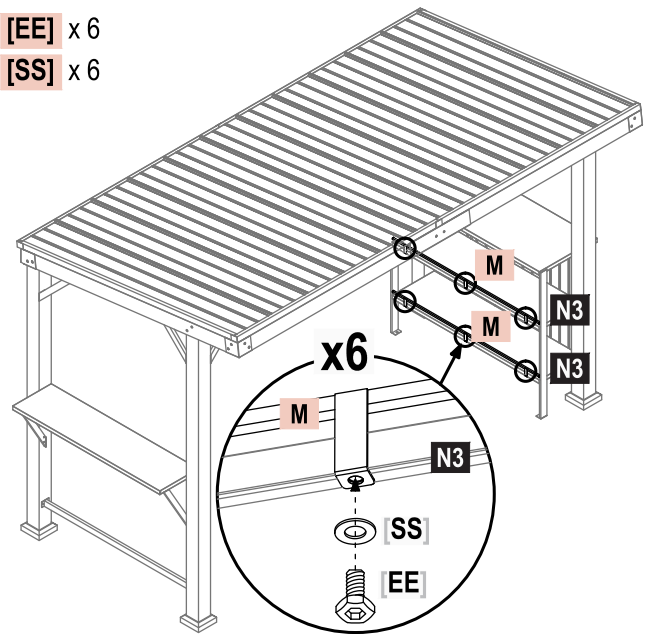
STEP 30 Use three (3) M6*15 Bolts [EE] with three (3) M6 Flat Washers [SS] to secure the Conector 10s L10 on the side panel to the middle shelf.

[EE] x 3
[SS] x 3



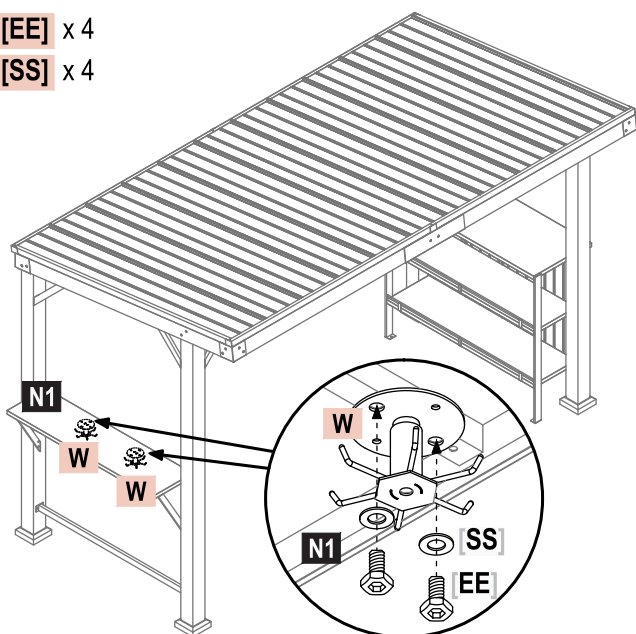
STEP 31 Attach one (1) Shield M to the end of the bottom two (2) shelves using three (3) M6*15 Bolts [EE] with three (3) M6 Flat Washers [SS].

[EE] x 6
[SS] x 6



STEP 32 Attach the two (2) Rotatable Racks W to the bottom of Shelf 1 N1 using two (2) M6*15 Bolts [EE] with two (2) M6 Flat Washers [SS] each.

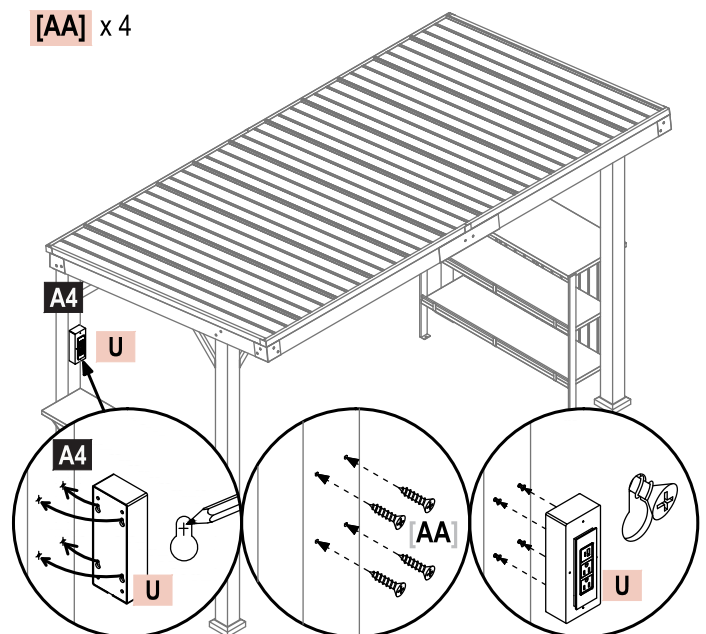
[EE] x 4
[SS] x 4



STEP 33 Insert four (4) M5*20 Bolts [AA] into the side of Post 4 A4. Do not fully tighten the bolts. Hang the Patch Panel U on the four bolts.

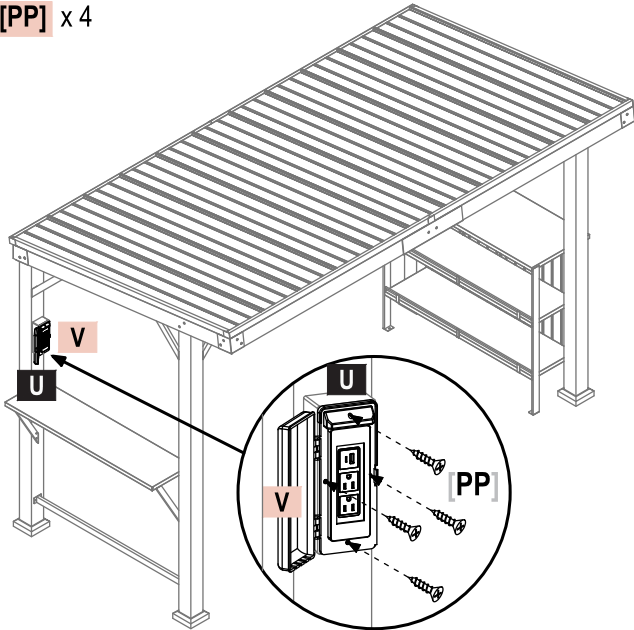
The Patch Panel can be installed at a location chosen by the customer according to the preference.

[AA] x 4



STEP 34 Use four (4) M3*9 Bolts to attach the Patch Panel Cover **V** to the Patch Panel **U**.

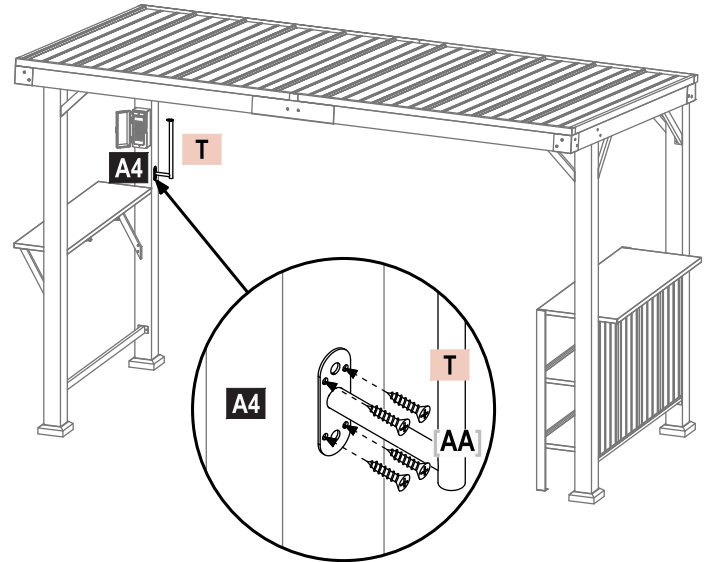
[PP] x 4



STEP 35 Attach the Paper Towel Rack **T** to Post 4 **A4** using four (4) M5*20 Bolts **[AA]**.

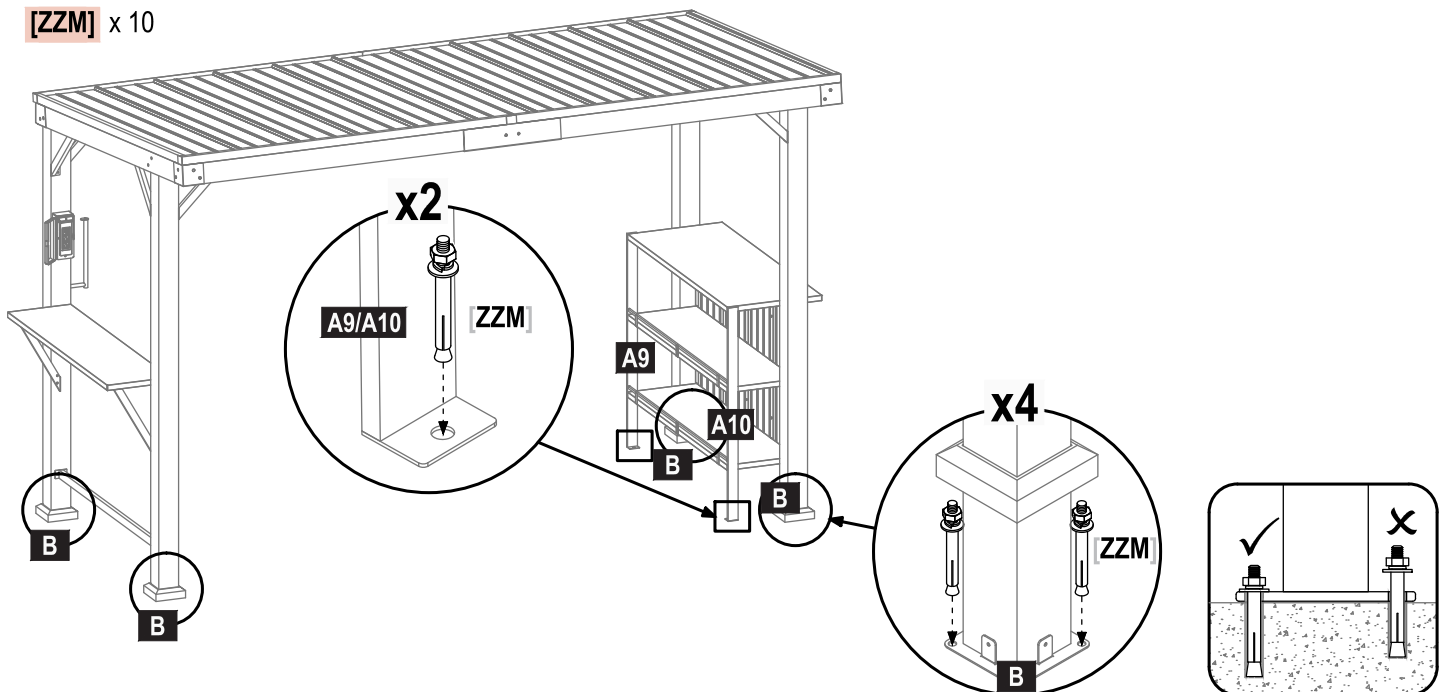
The Paper Towel Rack can be installed at a location chosen by the customer according to the preference.

[AA] x 4



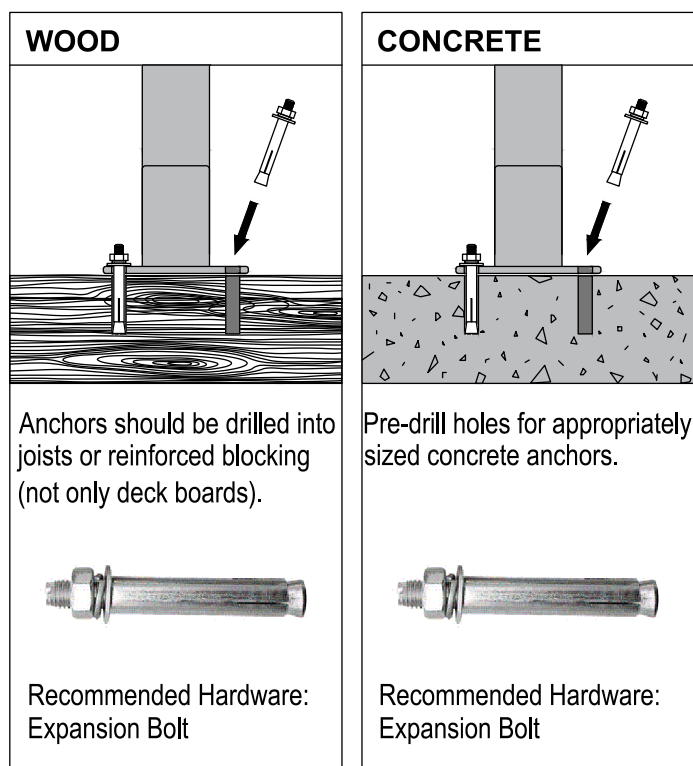
STEP 36 Position the gazebo in its final location, then slide the Foot Covers **C** up to expose the Foot Base **B**. Use two (2) M6*60 Concrete Anchors **[ZZM]** to secure each large post to the ground. Use one (1) M6*60 Concrete Anchor **[ZZM]** to secure each of the small posts to the ground. Make sure that each anchor is fully inserted into the ground. Then, slide the Foot Covers **C** back down into place.

[ZZM] x 10



Outdoor Structure anchoring guide for anchoring gazebo to wood or concrete: If Step 36, on page 15 in the assembly instructions is not properly completed, this will void the warranty.

WARNING! If your gazebo is not properly anchored, damage could occur. It is highly recommended for maximum safety that you mount and secure to wood or concrete footers. This is far better and safer than using ground stakes. The following are some examples of how to mount the structure to wood or concrete surfaces. Refer to local building codes or consider consulting a licensed contractor for assistance in the anchoring of this product.



If digging for foundation, please double check for possibility of any underground utilities such as gas, telephone, cable or sprinkler lines. Refer to your local building and city codes, ordinances, neighborhood covenants, or height restrictions regarding this type of structure for guidance on acceptable installation requirements.

CAUTION

DO NOT climb or walk on roof for any reason.

- Our components are intended for privacy, decorative and ornamental use only.
- Product is NOT INTENDED for the following:
 - A safety barrier to prevent unsupervised access to pools, hot tubs, spas or ponds.
 - As load bearing support for a building, structure, heavy objects or swings.
 - Used in structures that trap wind, rain or snow that would create extra load on the product.
 - Accumulated snow must be removed from roof.
 - DO NOT climb or walk on roof for any reason.

LIMITED WARRANTY

We warrants this product against defects in materials and workmanship for a period of one (1) year from the original date of purchase. To the extent any such defects occur, our products will send the appropriate replacement part(s) at no charge.

This warranty does not cover:

- Inspection costs or labor for replacement of any defective parts);
- Incidental or consequential damages;
- Cosmetic defects which DO NOT affect performance;
- Normal wear and tear;
- Damage due to vandalism; acts of nature, including but not limited to wind, storms, hail, floods;
- Improper assembly, installation, or use;
- Discoloration or fading of the finish as a result of exposure to chemicals, spills, pool or salt water
- Corrosion/ rust.

Your product has been designed for safety and quality.

Any modifications made to the original product could compromise its structural integrity or function, and could lead to product failure or personal injury. As such, modifying this product voids any and all warranties.

This product is warranted for RESIDENTIAL USE ONLY, and is not for commercial, contract or other non-residential purposes. Products disclaims all other representations and warranties of any kind, express or implied.

The warranty applies to the original purchaser and is non-transferable. It does not apply to purchases of display models, or when the product is sold on clearance or "as is".

We makes no warranty whatsoever in respect to accessories or parts not supplied with it. This warranty shall apply only within the boundaries of the United States of America and Canada. This warranty gives the original purchaser specific rights, and the original purchaser may also have other rights, which vary from state to state.

