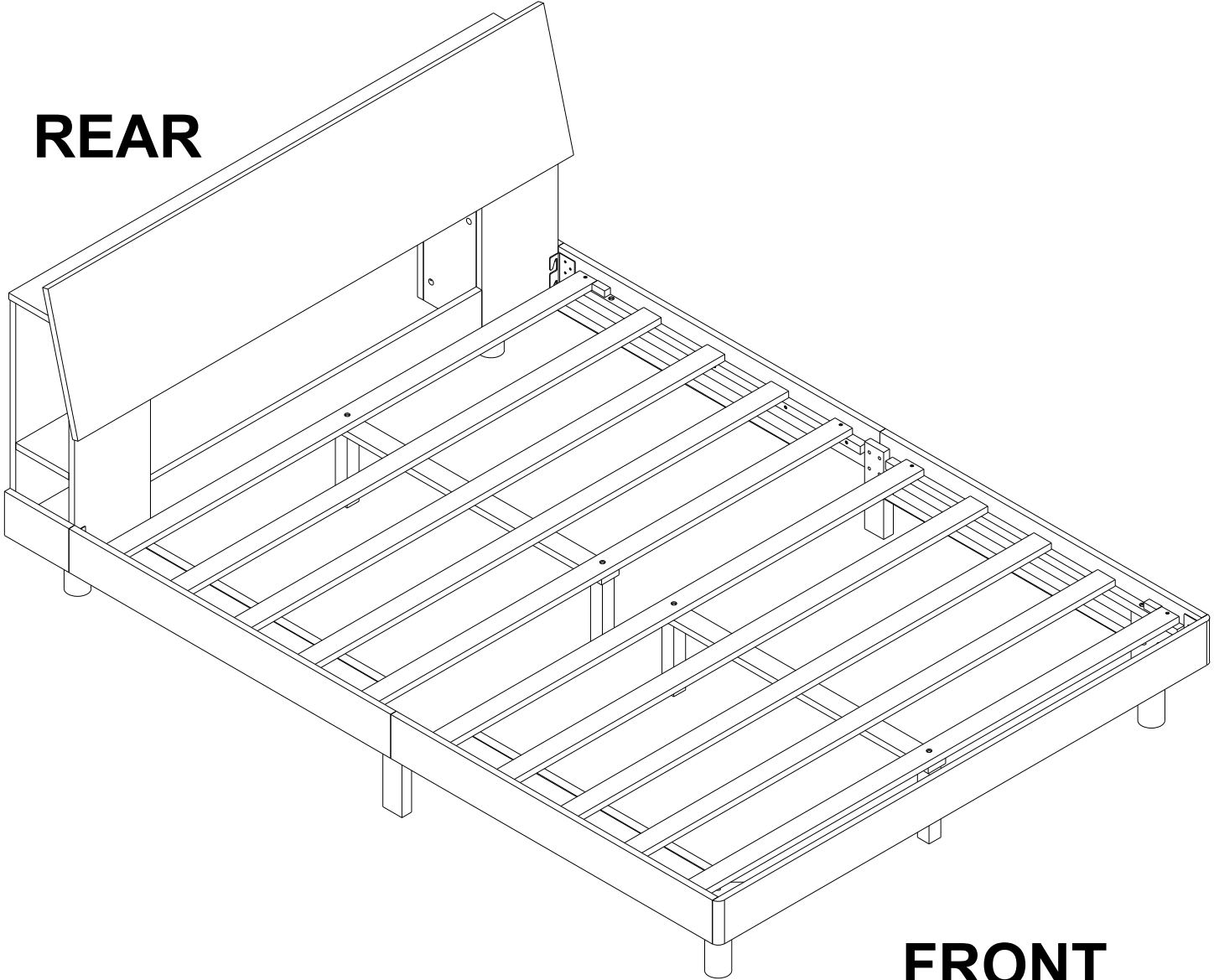


ASSEMBLY INSTRUCTION

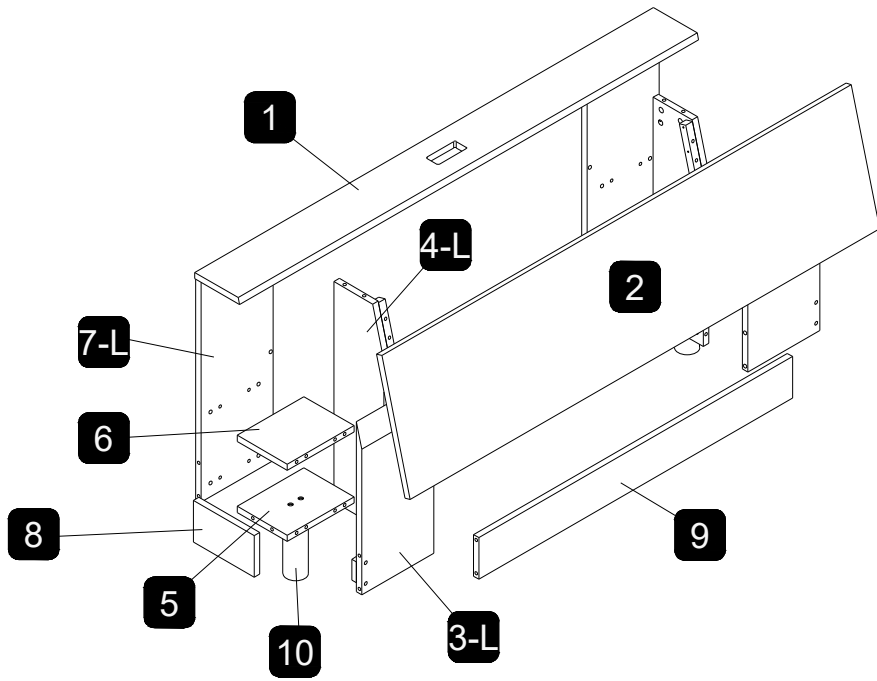
REAR



FRONT

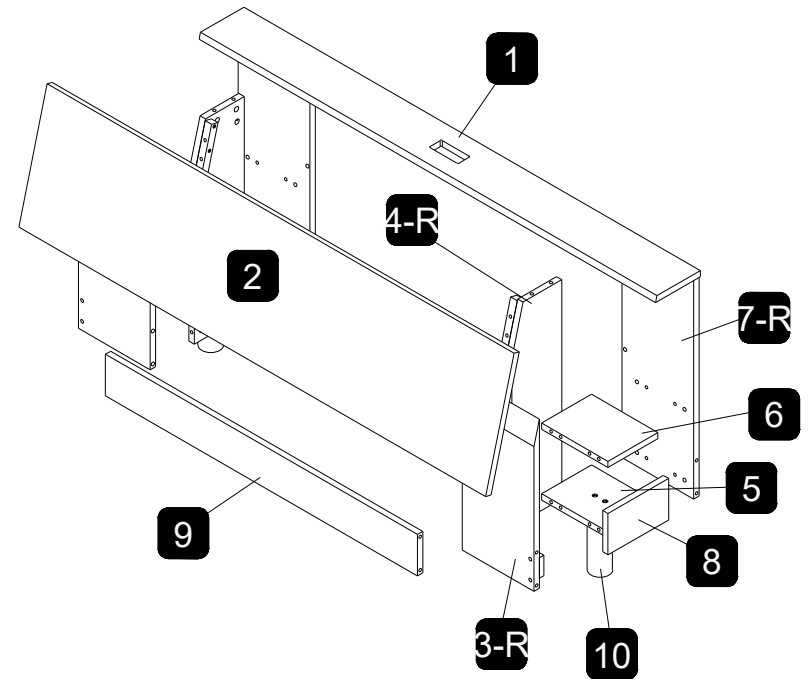


HEADBOARD DETAILS VIEW

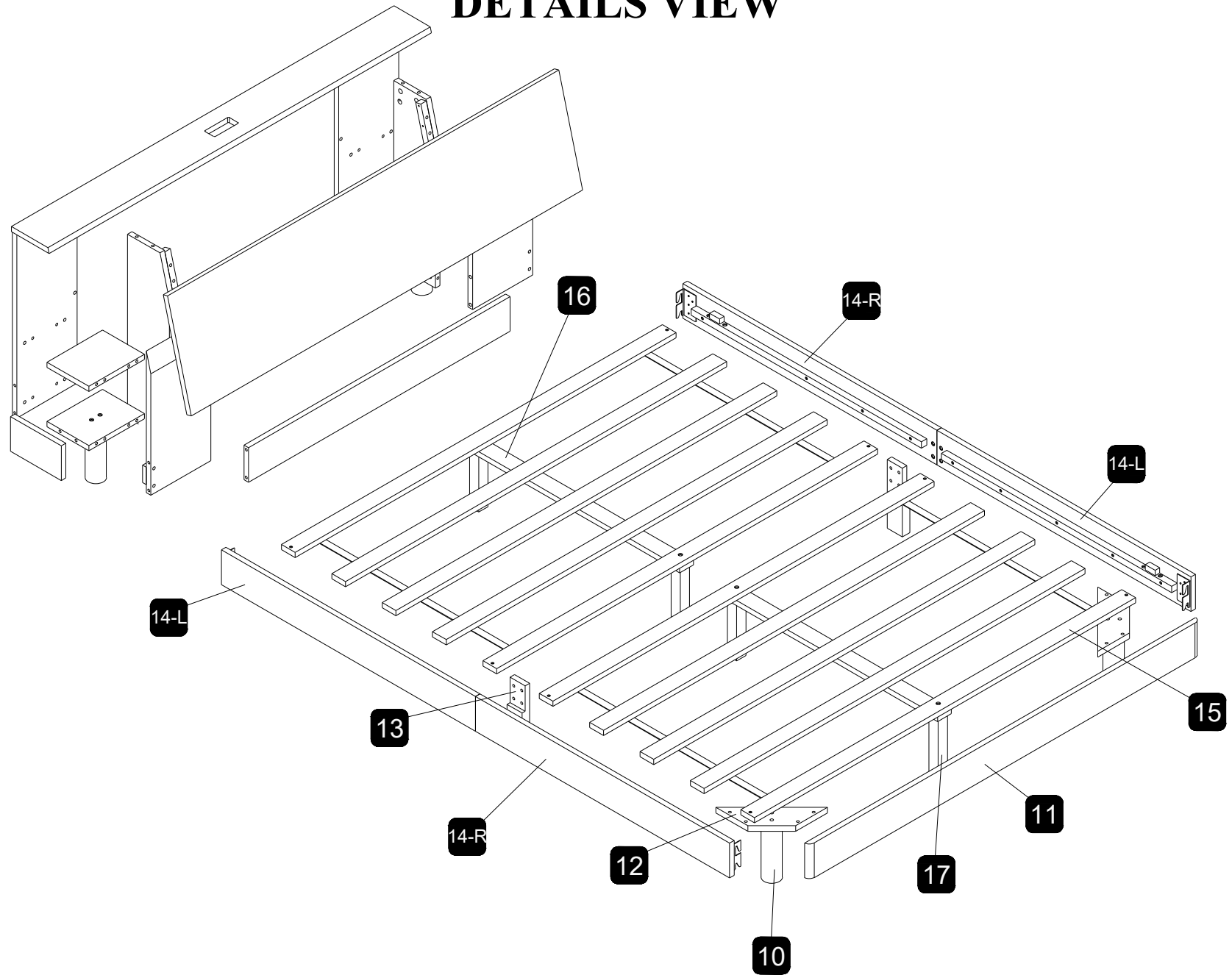


LEFT SIDE VIEW

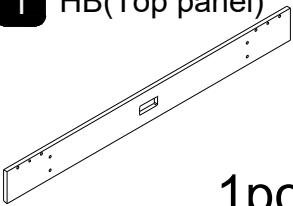
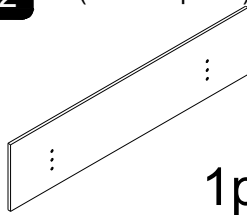
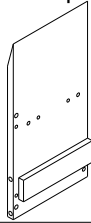
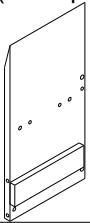

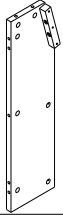
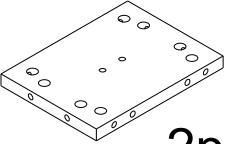
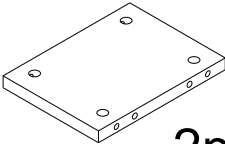

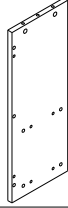
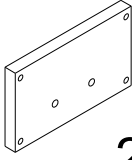
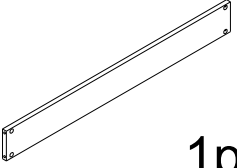

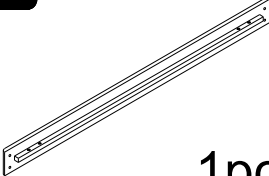
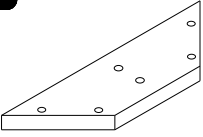
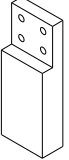
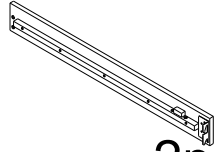
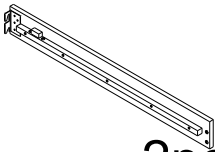
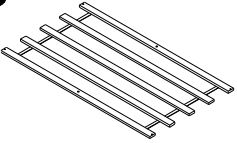
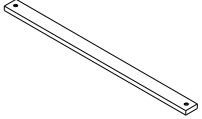

RIGHT SIDE VIEW



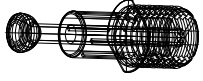








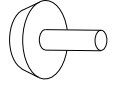
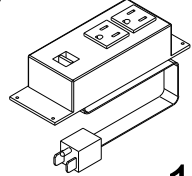
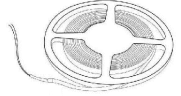
DETAILS VIEW

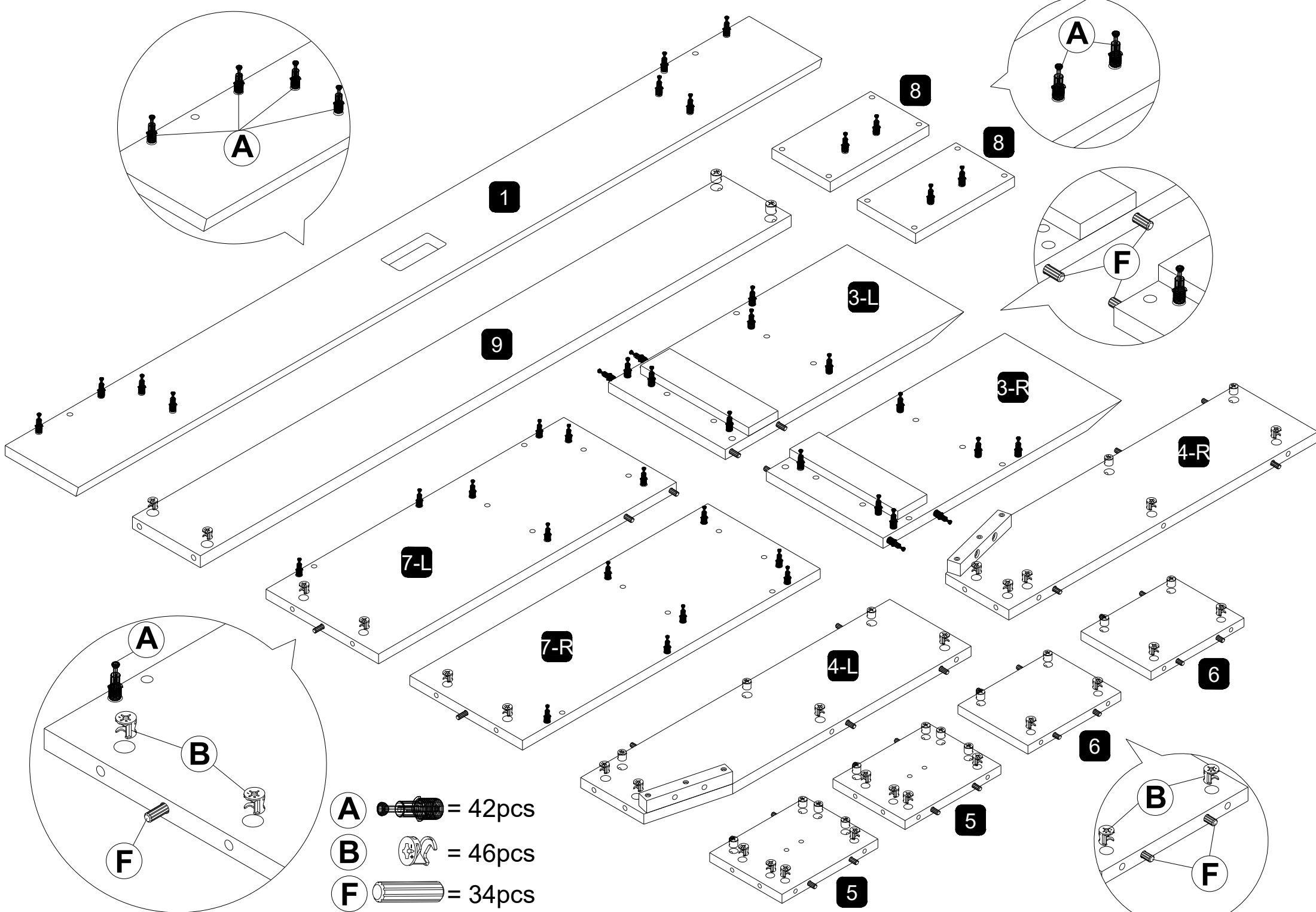





PART LIST

<p>1 HB(Top panel)</p>  <p>1pc</p>	<p>2 HB (Inclined panel)</p>  <p>1pc</p>	<p>3-L HB (Front panel-left)</p>  <p>1pc</p>	<p>3-R HB (Front panel-right)</p>  <p>1pc</p>	<p>4-L HB (Inside panel-left)</p>  <p>1pc</p>	<p>4-R HB (Inside panel-right)</p>  <p>1pc</p>
<p>5 HB (Bottom panel)</p>  <p>2pcs</p>	<p>6 HB (Center panel)</p>  <p>2pcs</p>	<p>7-L HB (Back panel-left)</p>  <p>1pc</p>	<p>7-R HB (Back panel-right)</p>  <p>1pc</p>	<p>8 HB (Side panel)</p>  <p>2pcs</p>	<p>9 HB (Bottom panel)</p>  <p>1pc</p>
<p>10 Post</p>  <p>4pcs</p>	<p>11 Footboard panel</p>  <p>1pcs</p>	<p>12 FB Coner Block</p>  <p>2pcs</p>	<p>13 Support Side Leg</p>  <p>2pcs</p>	<p>14-L Side Rail Left</p>  <p>2pcs</p>	<p>14-R Side Rail Right</p>  <p>2pcs</p>
<p>15 Slat</p>  <p>2sets</p>	<p>16 Center Support</p>  <p>2pcs</p>	<p>17 Support Leg</p>  <p>4pcs</p>			

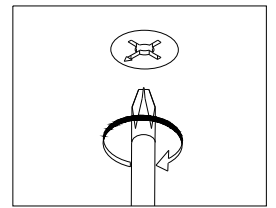
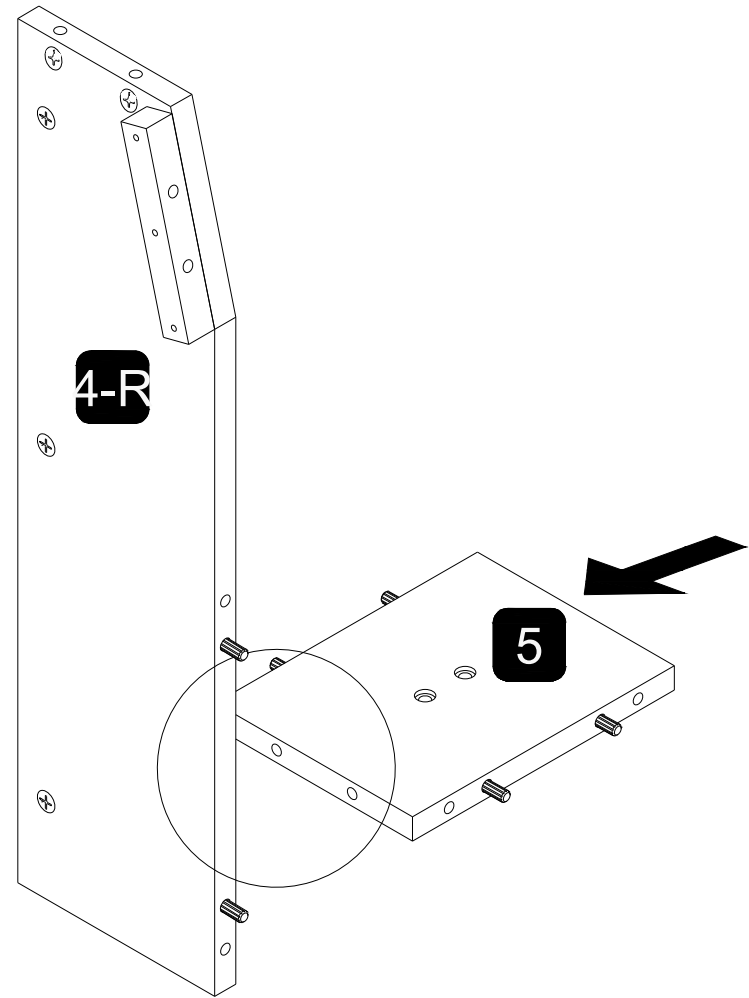
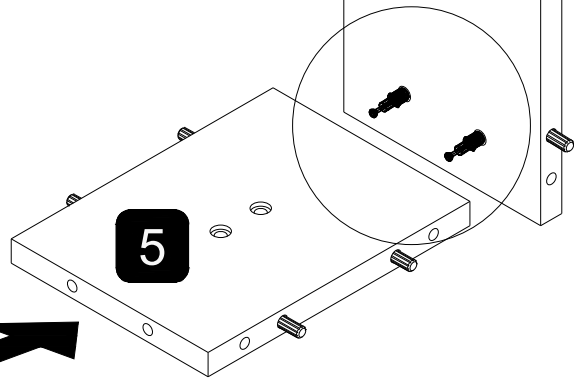
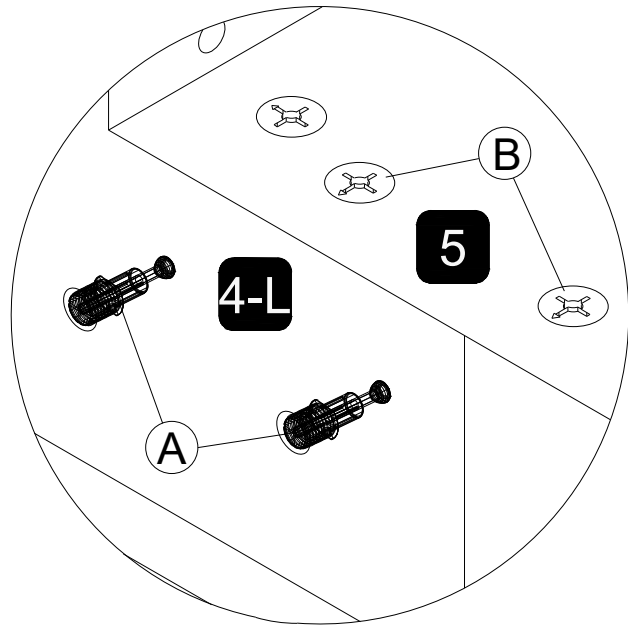
HARDWARE LIST


<p>A MINIFIX SPREDING DOWEL 24MM</p>  <p>46pcs</p>	<p>B MINIFIX HOUSING $\varnothing 15 \times 12$MM</p>  <p>46pcs</p>	<p>C M8*20MM JCBB</p>  <p>8pcs</p>	<p>D M6*50MM JCBC</p>  <p>12pcs</p>	<p>E M6*30MM JCBC</p>  <p>20pcs</p>	<p>F WOOD DOWEL M8*30MM</p>  <p>34pcs</p>
<p>G ALLEN KEY M4</p>  <p>1pc</p>	<p>H ALLEN KEY M5</p>  <p>1pc</p>	<p>I SCREW M4*25MM</p>  <p>12pcs</p>	<p>J ADJUSTER</p>  <p>6pcs</p>	<p>K CHARGER</p>  <p>1pc</p>	<p>L LED</p>  <p>1pc</p>



- A**  = 42pcs
- B**  = 46pcs
- F**  = 34pcs

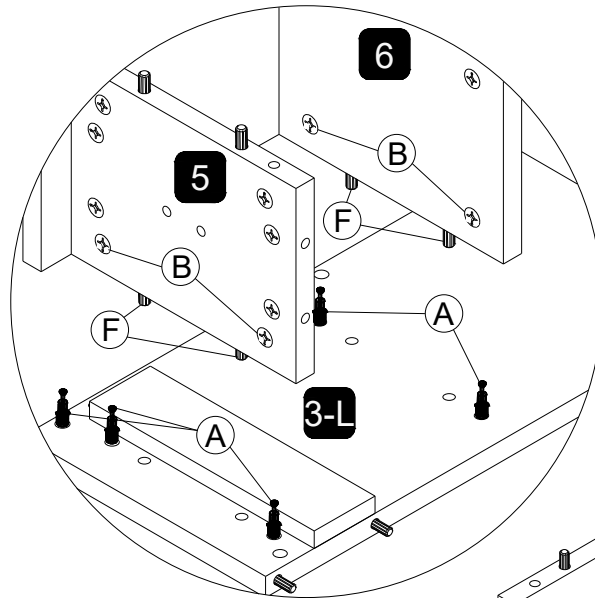
STEP 1



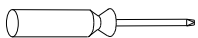
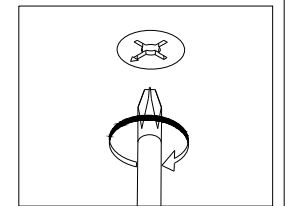
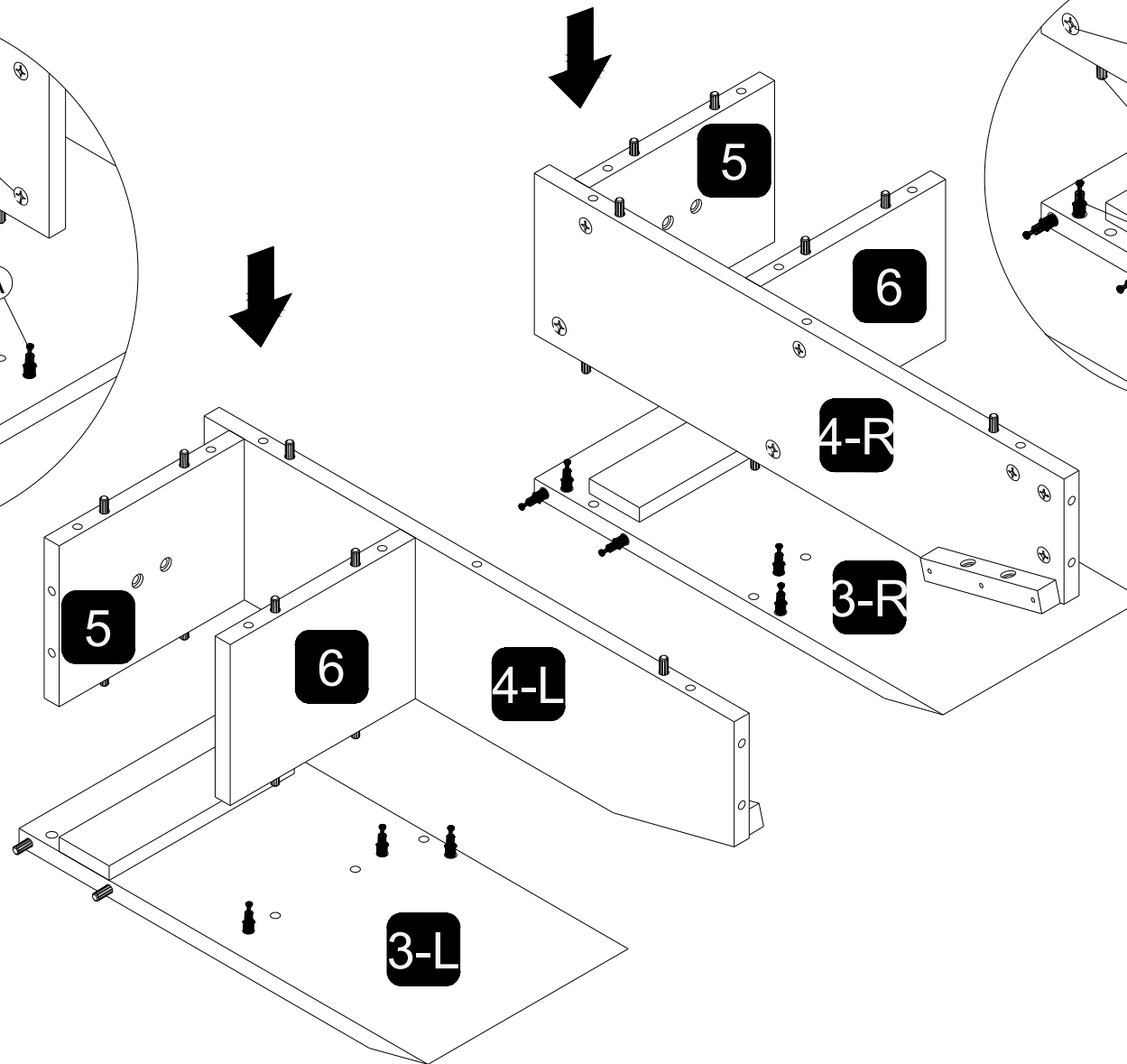

A X 4pcs



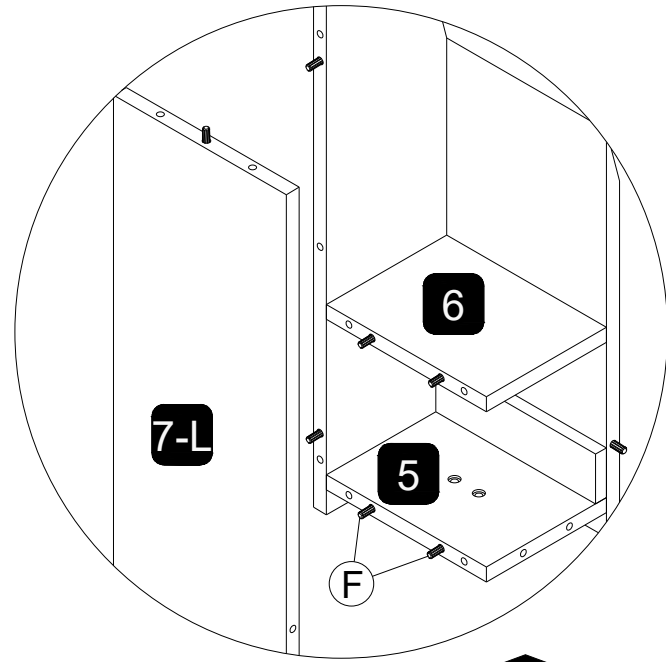
STEP 2



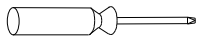
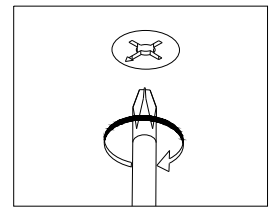
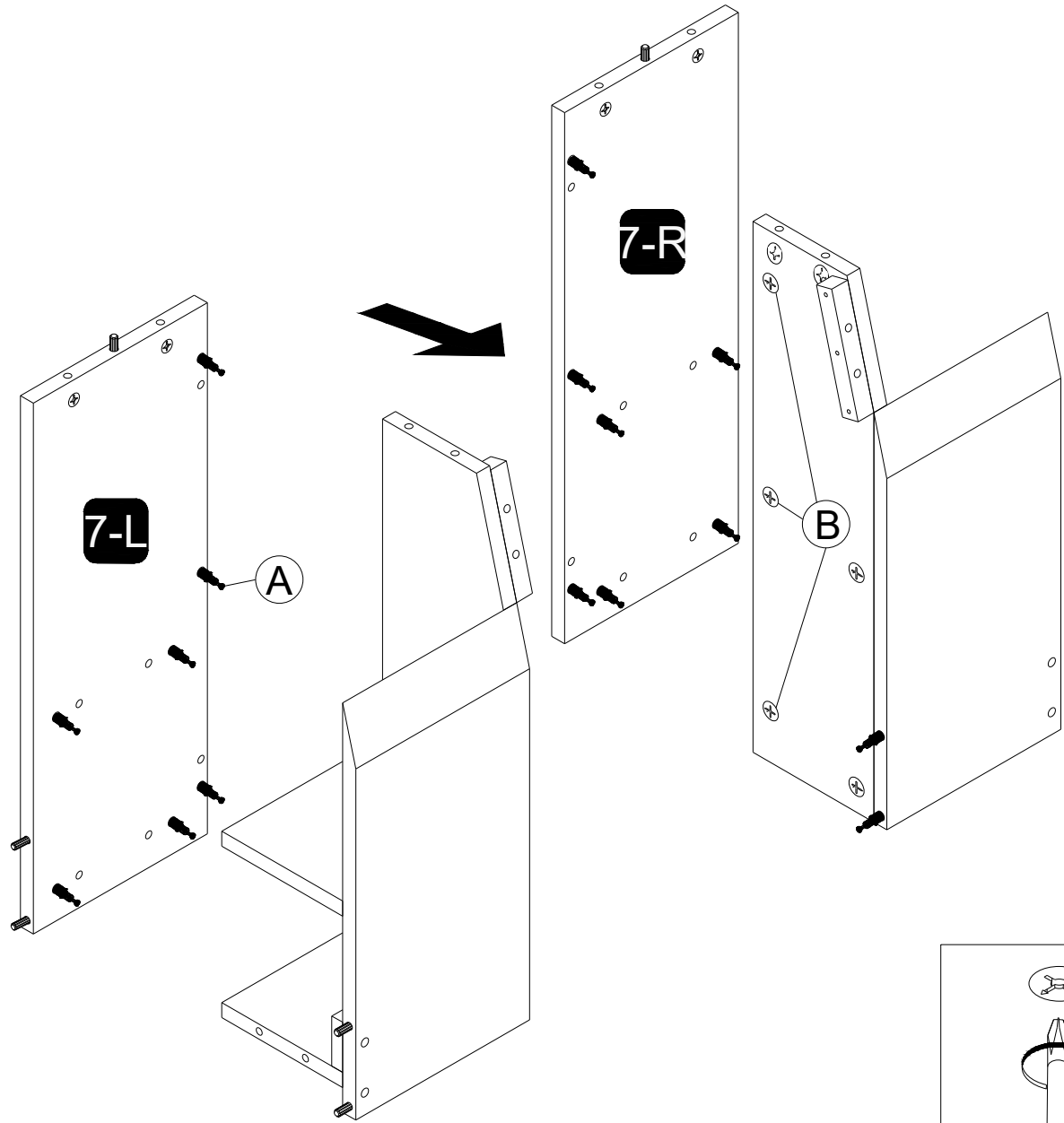
Back View



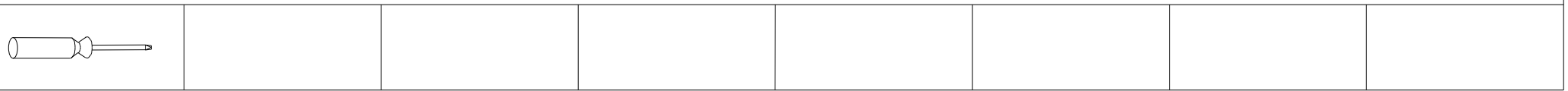
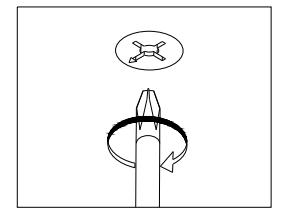
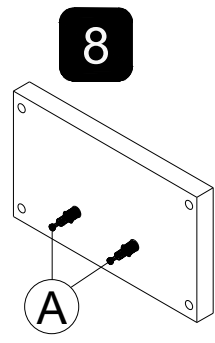
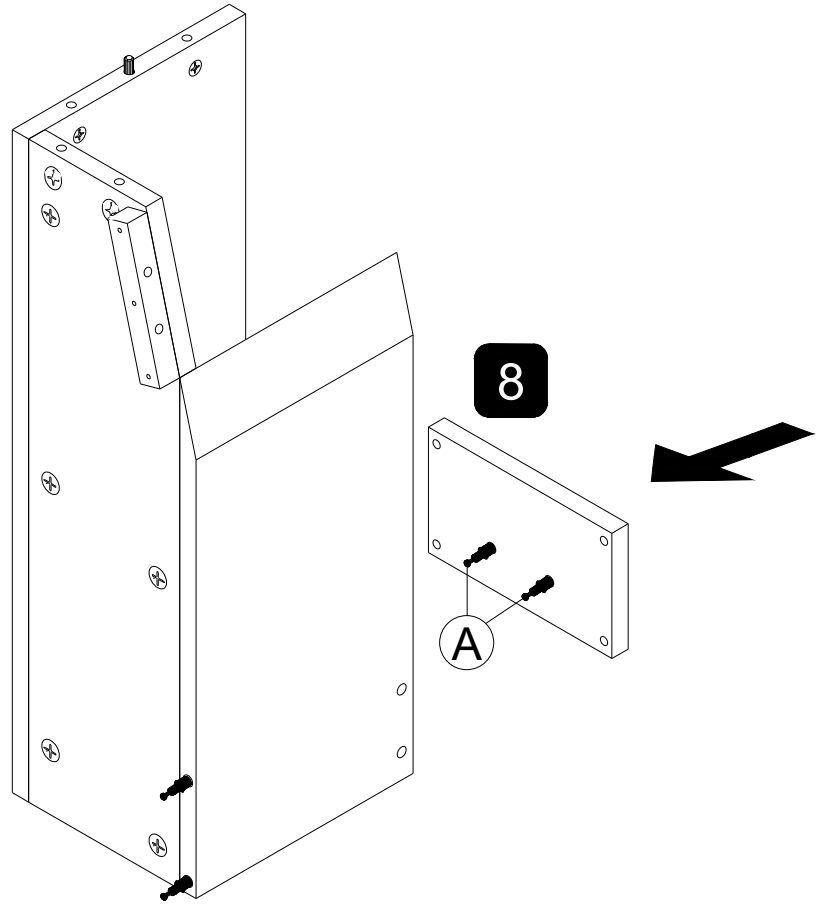
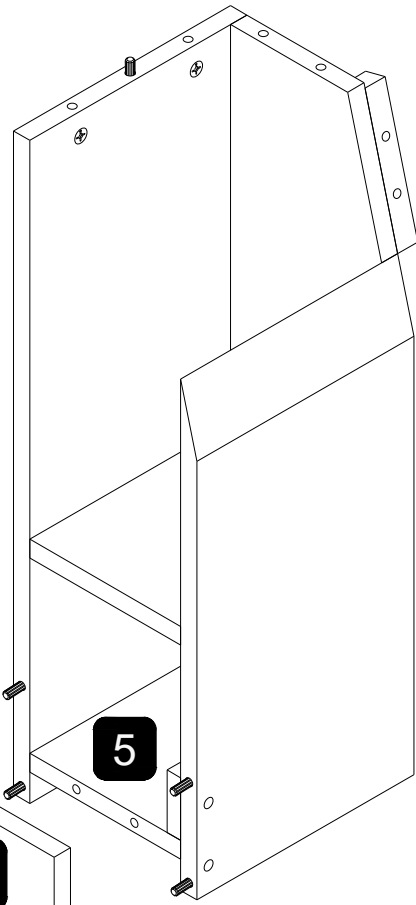
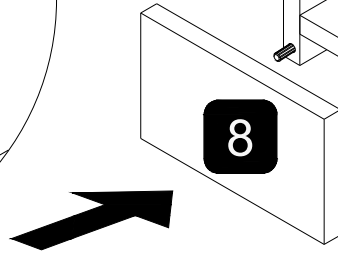
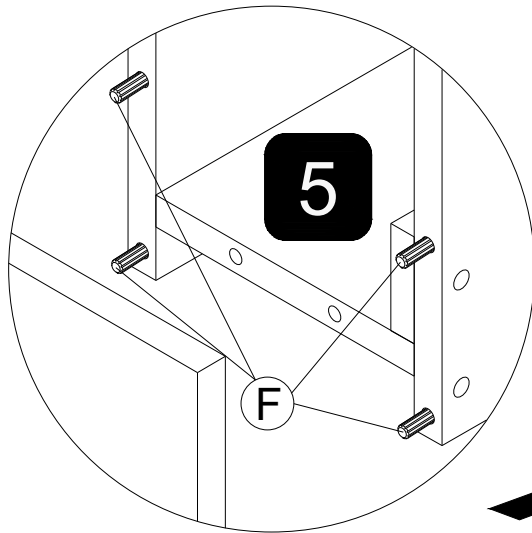
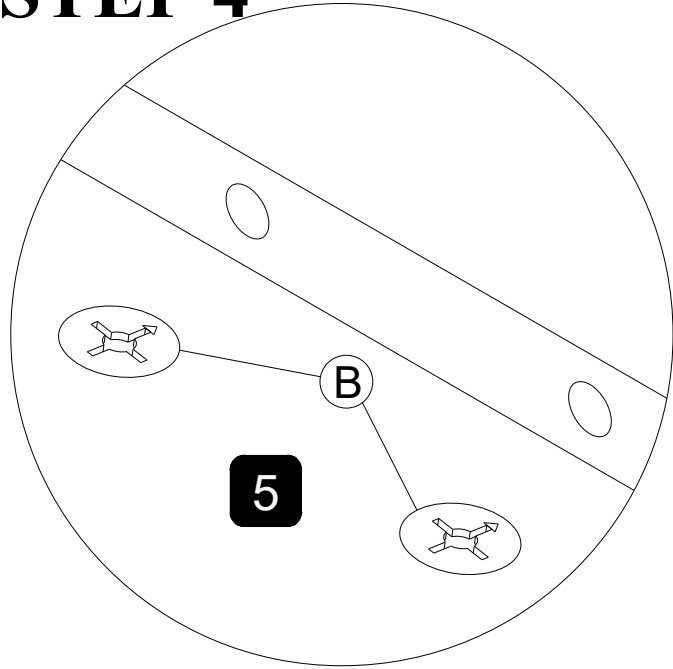
STEP 3



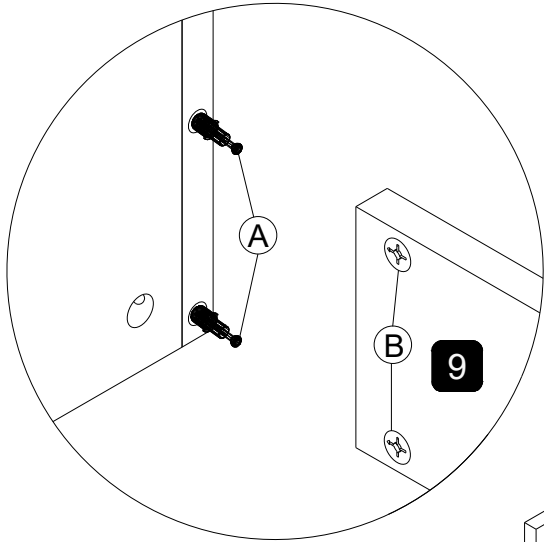
Back View



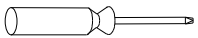
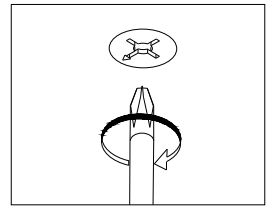
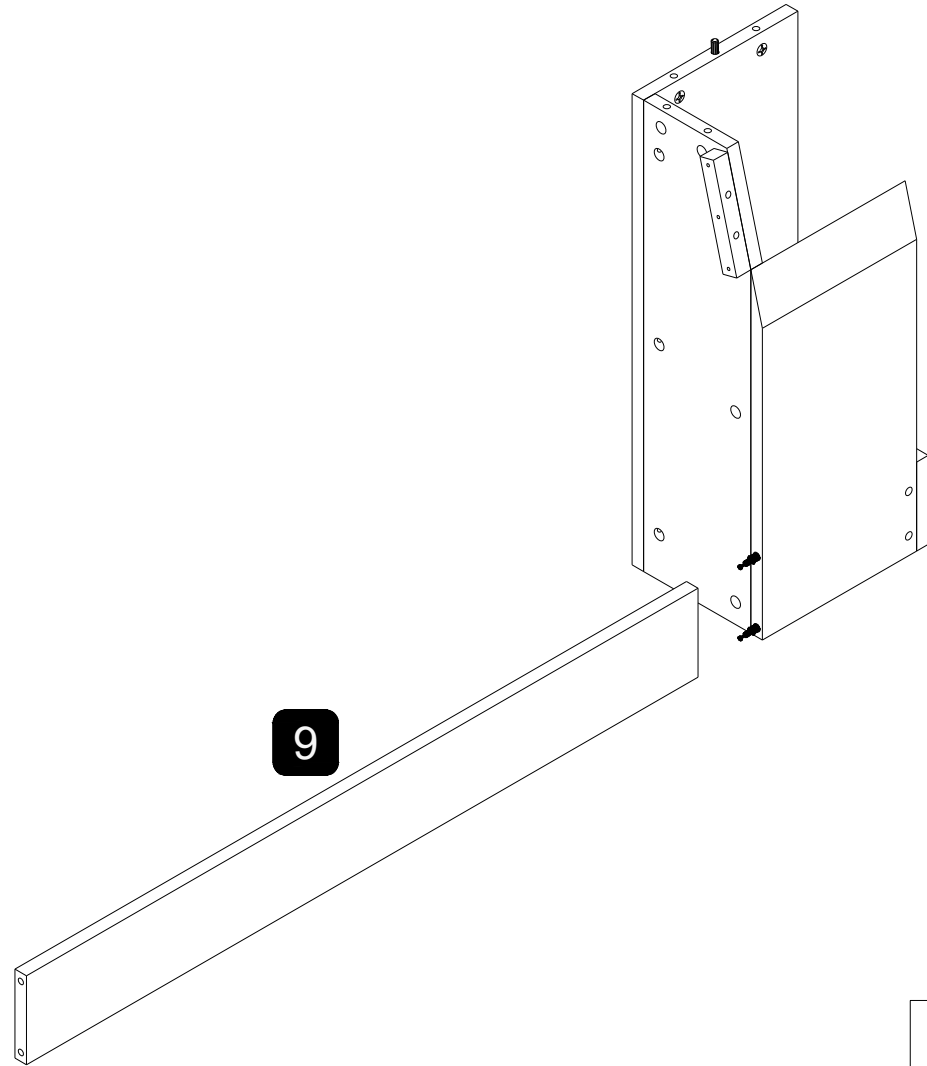
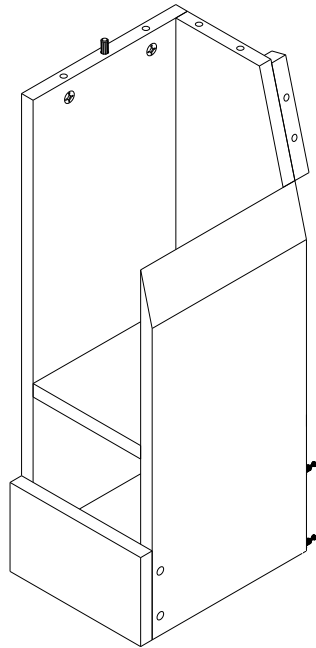
STEP 4



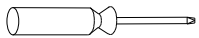
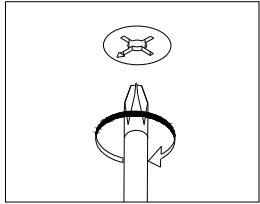
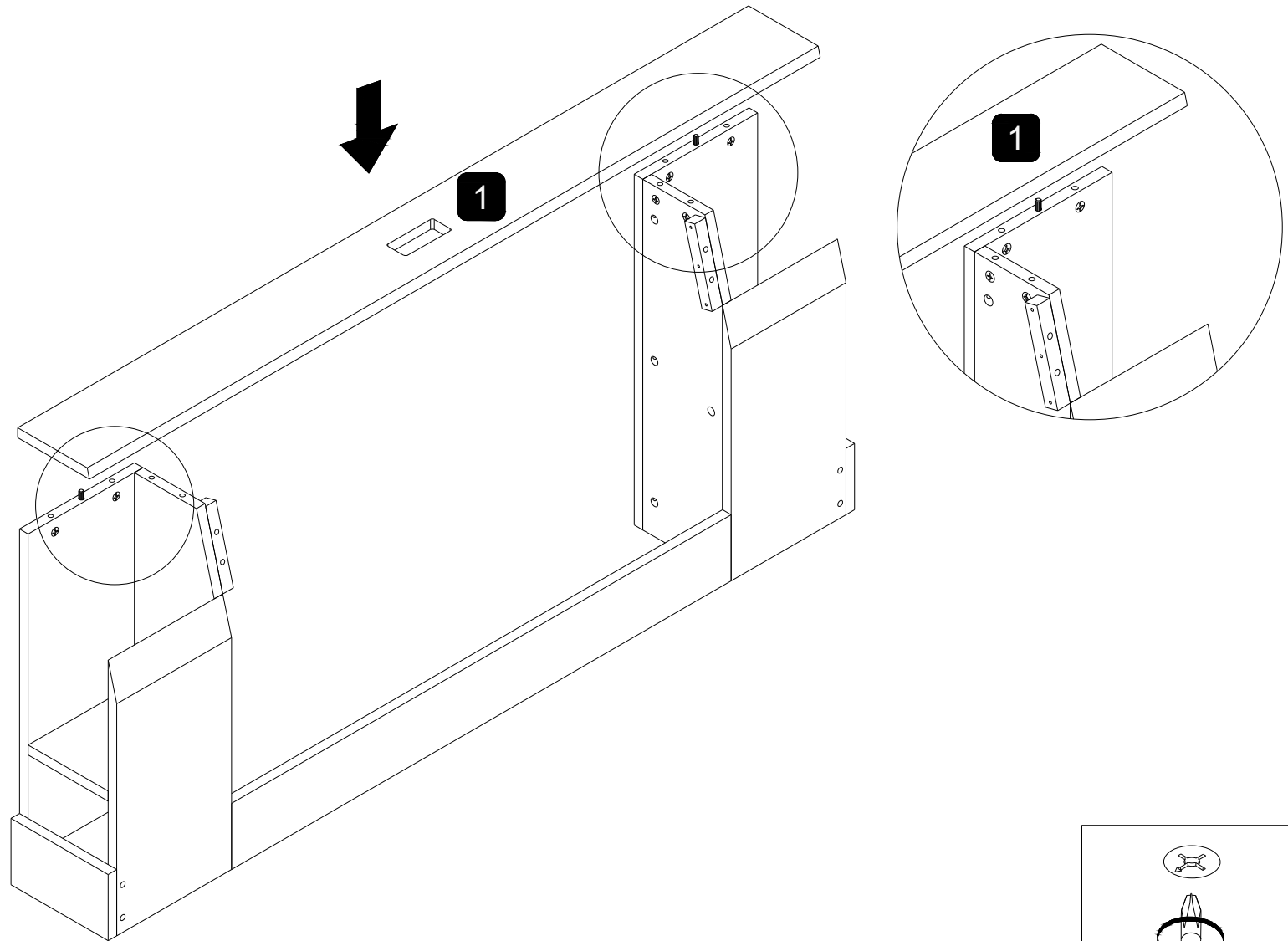
STEP 5



Back View



STEP 6

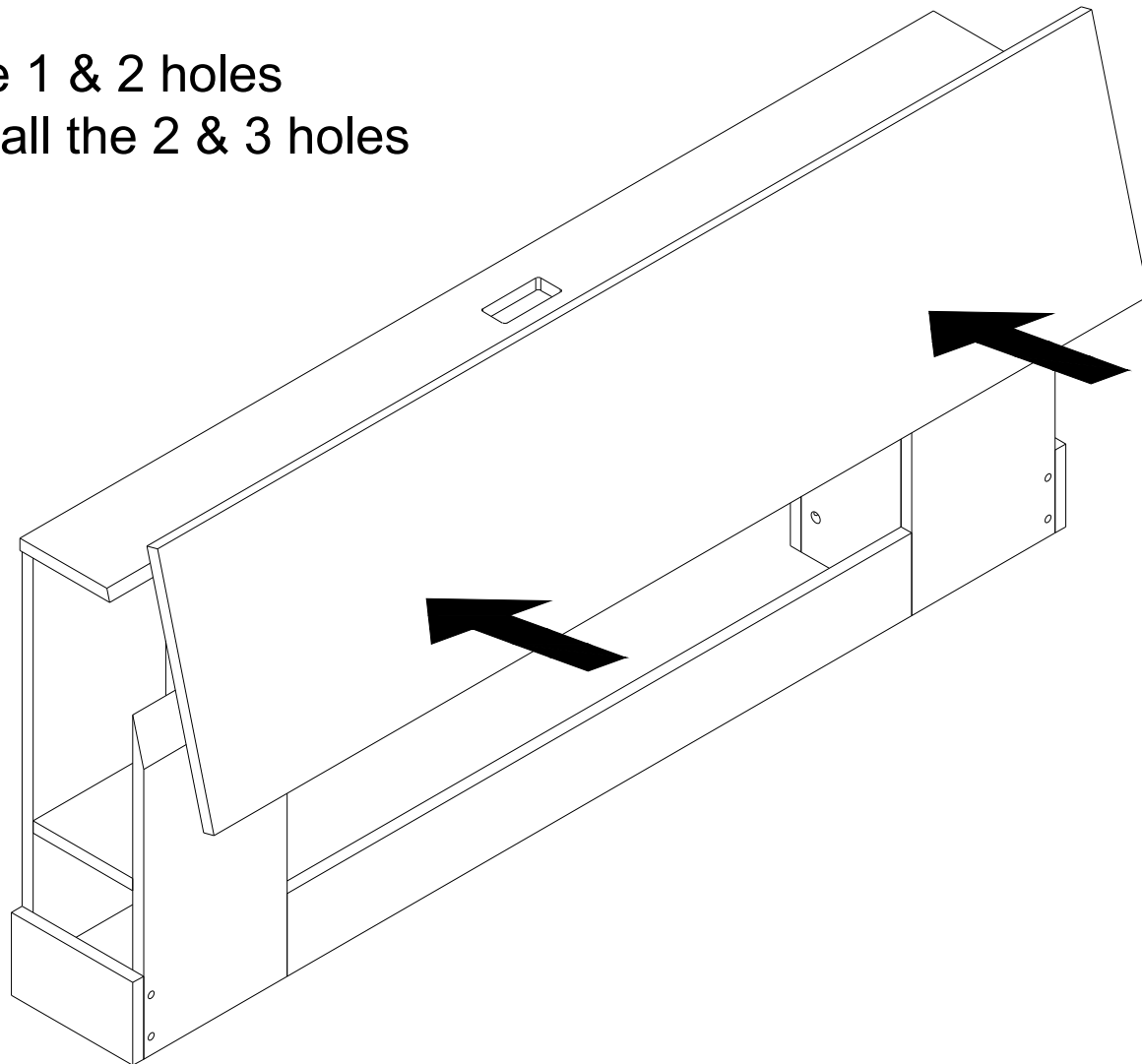
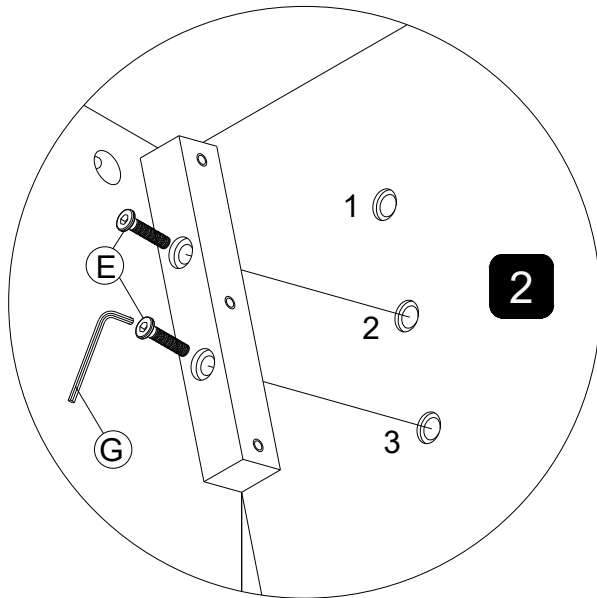


STEP 7

Adjustable Headboard:

8inch mattress, install the 1 & 2 holes

10~12inch mattress, install the 2 & 3 holes

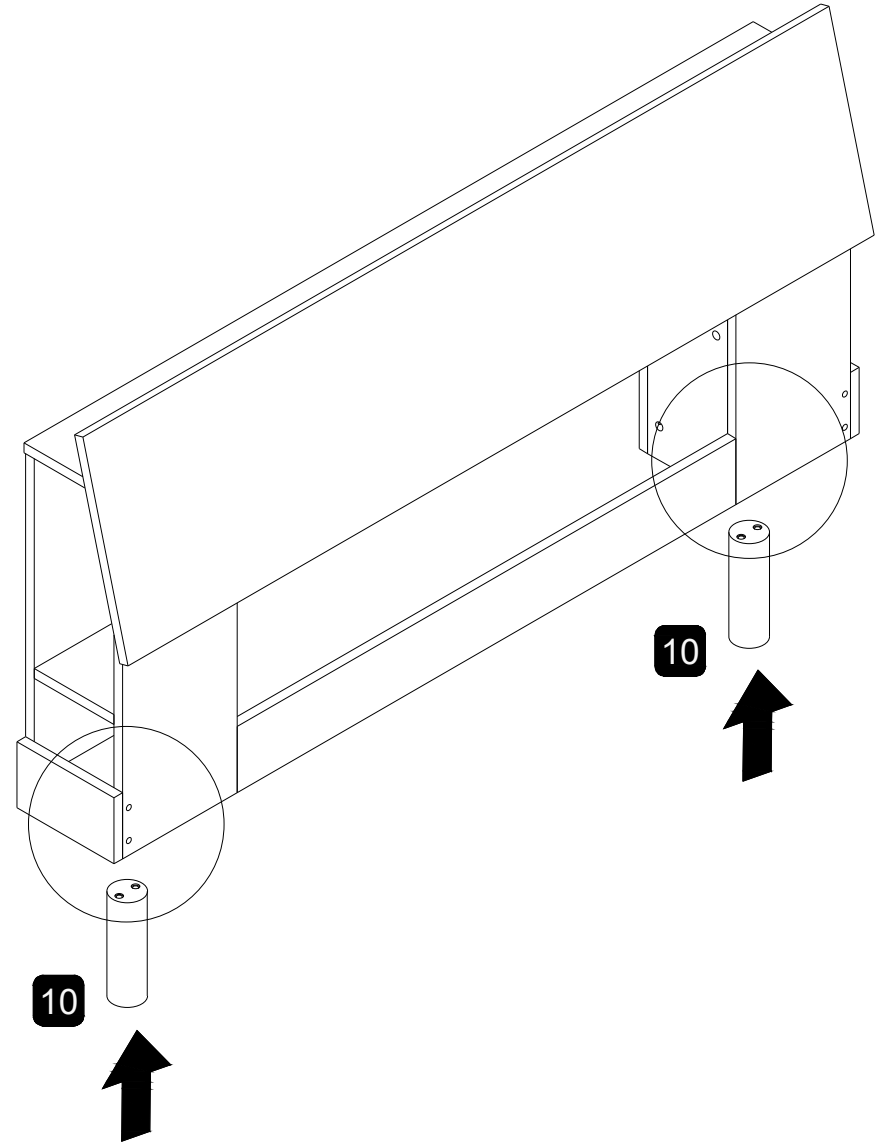
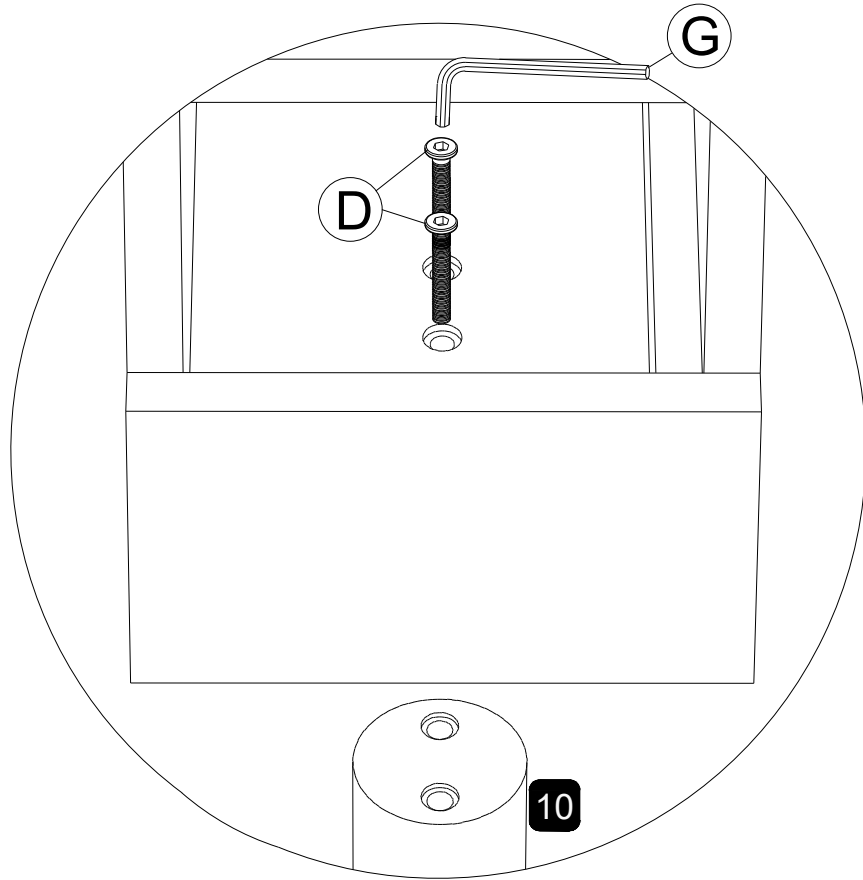


E X 4pcs



G X 1pc

STEP 8

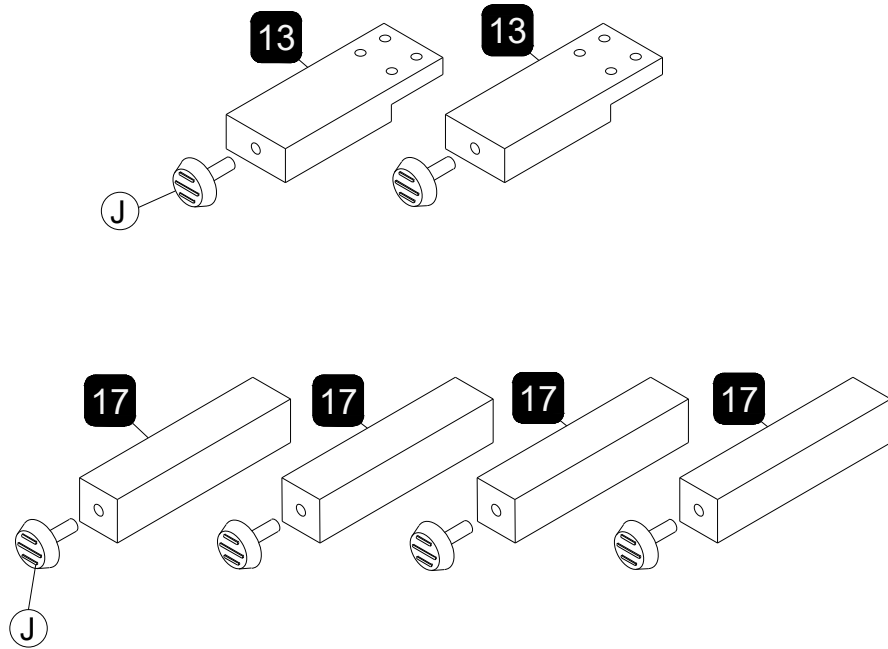


D X 4pcs

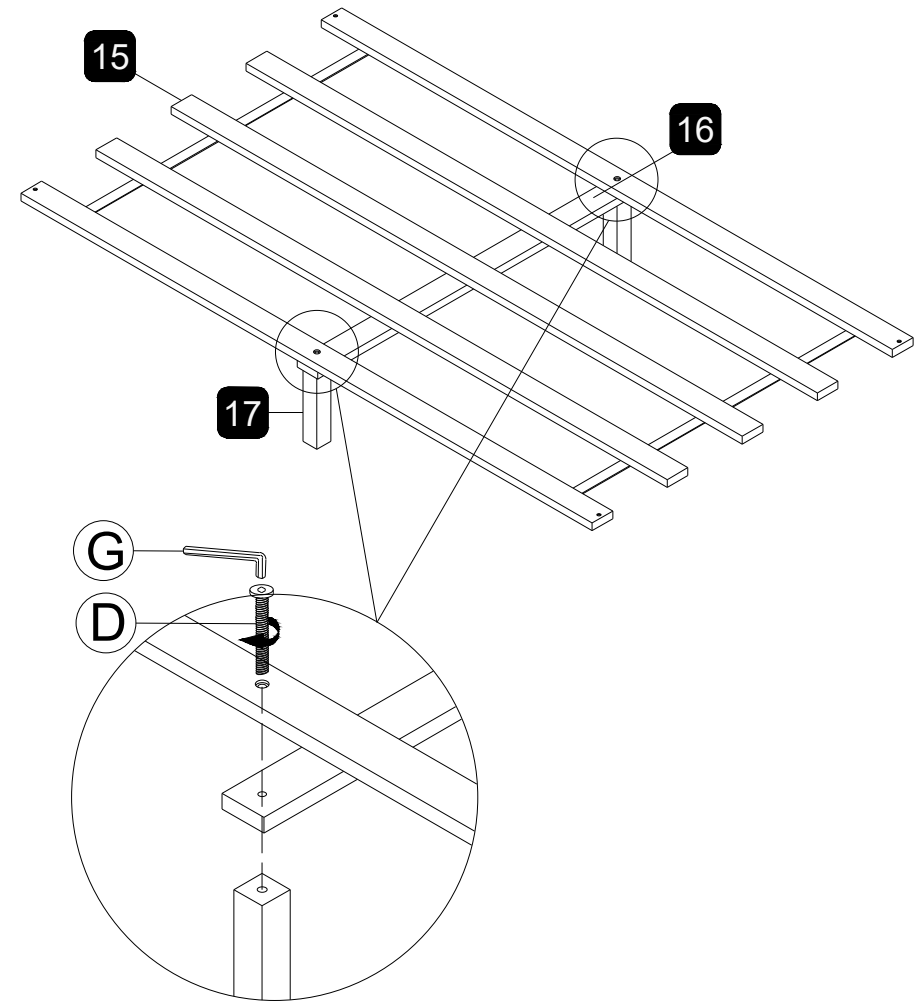


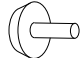
G X 1pc


STEP 9




STEP 10

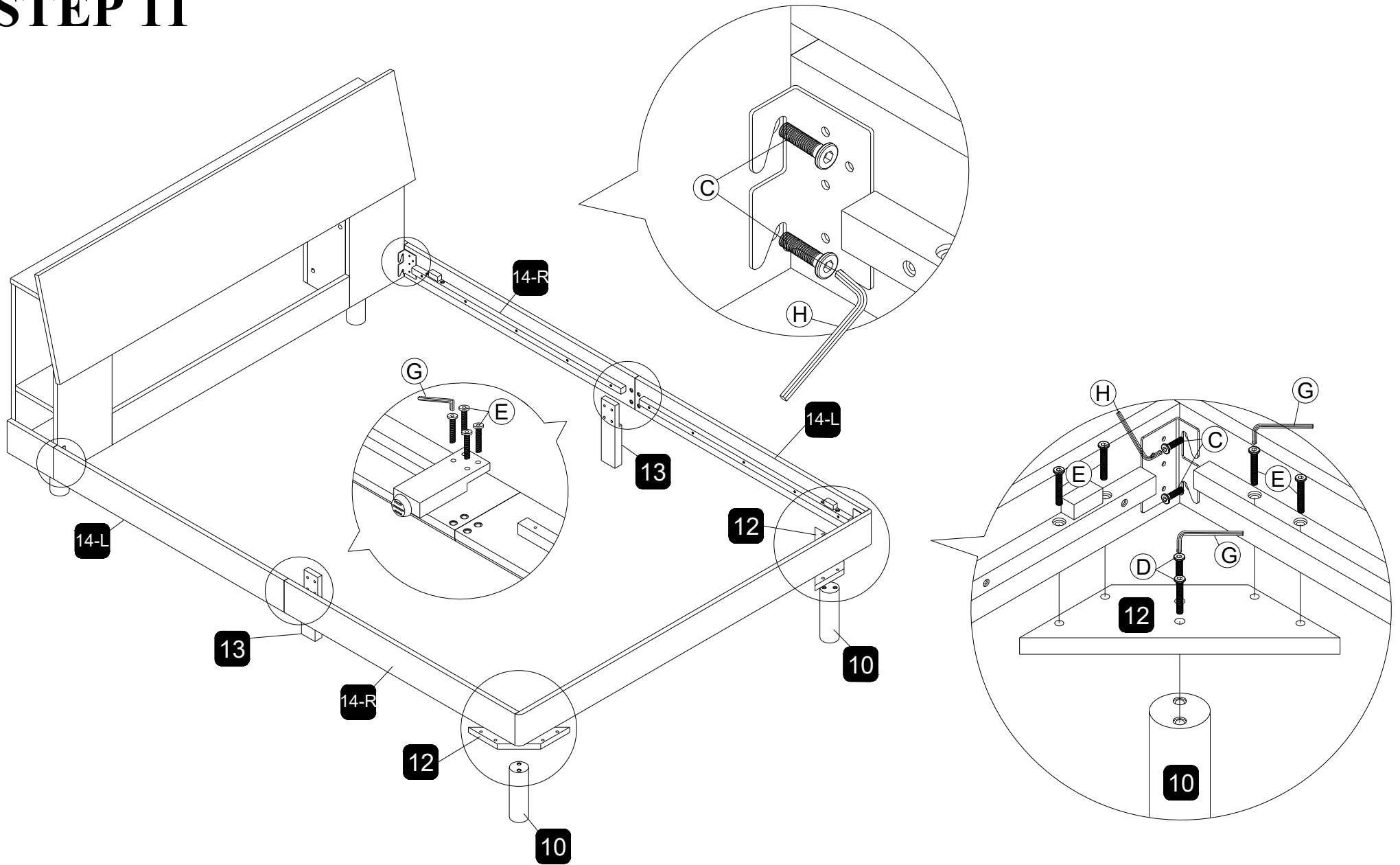



J X 6pcs


D X 4pcs


G X 1pc

STEP 11



C X 8pcs



D X 4pcs



E X 16pcs

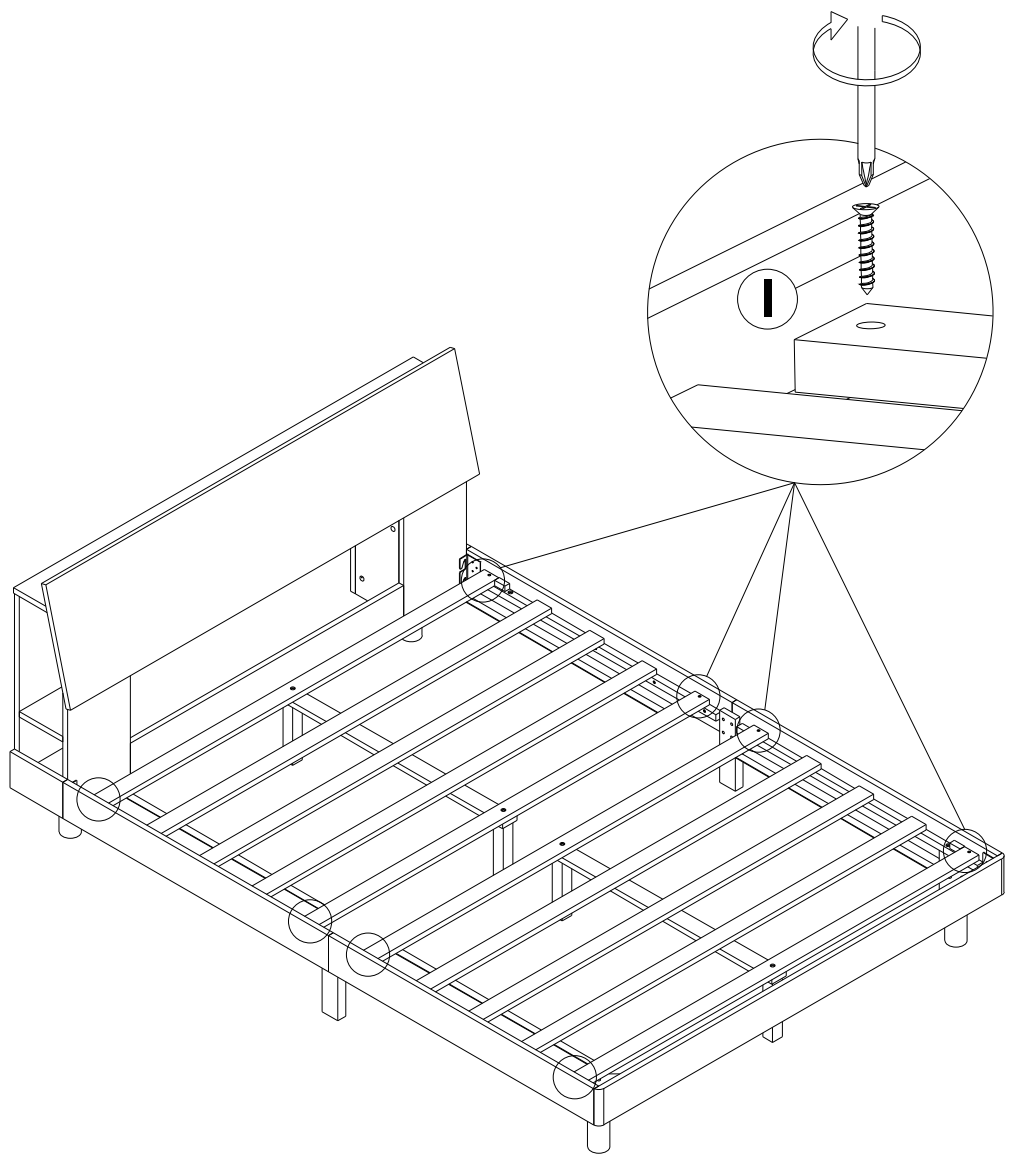


G X 1pc

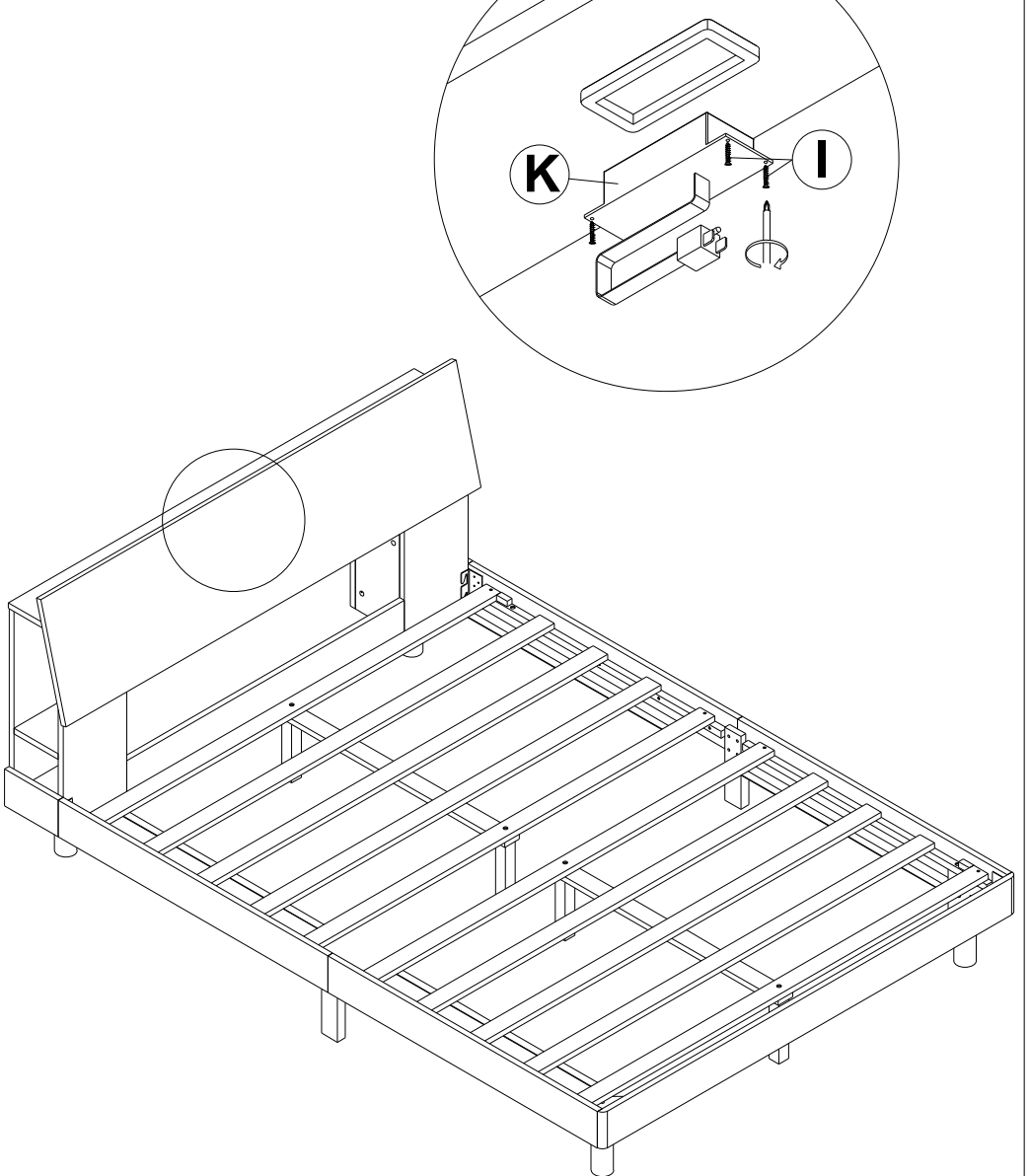


H X 1pc

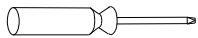
STEP 12

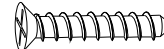


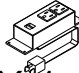
STEP 13

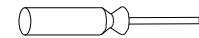



I X 8pcs

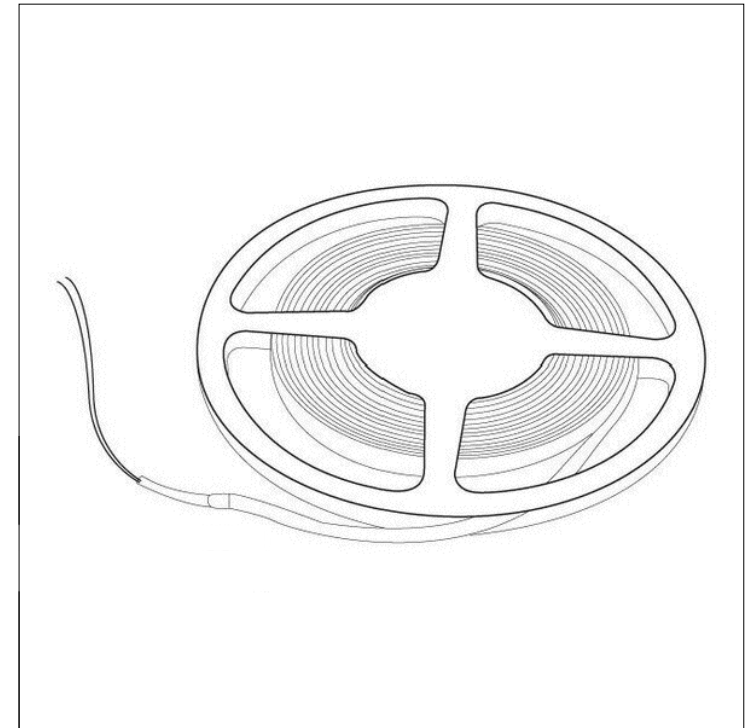
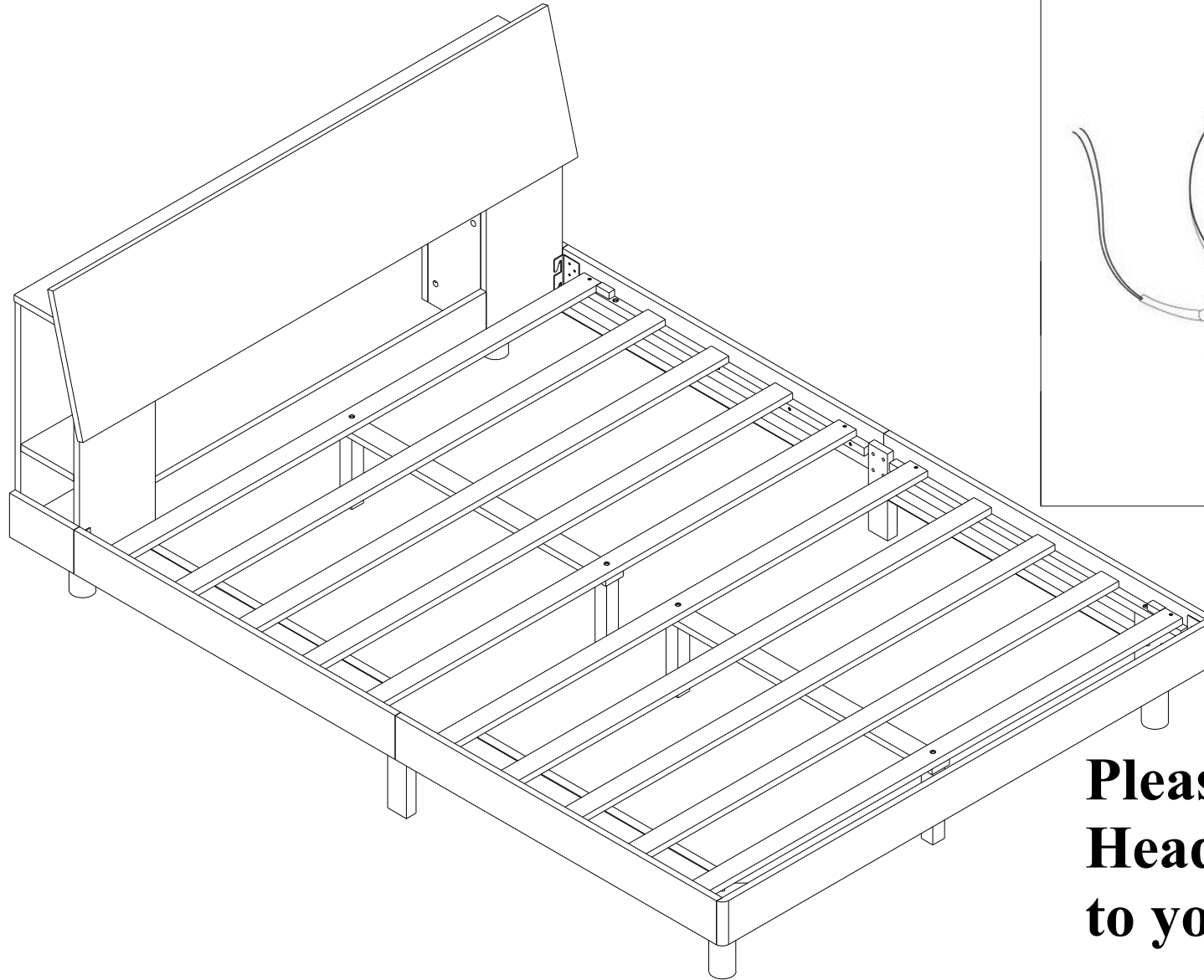



I X 4pcs


K X 1pc



STEP 14



**Please paste led(L) on
Headboard according
to your preference**



L X 1pc

COMPLETED ASSEMBLY

