

ROCKER

ASSEMBLY INSTRUCTION



Assembly Instruction

ASSEMBLY TIPS:

1. Remove hardware from box and sort by size.
2. please check to see that all hardware and parts are present prior start of assembly.
3. please follow attached instructions in the same sequence as numbered to assure fast & easy assembly .

▲Warning !

1. Don't attempt to repair or modify parts that are broken or defective, please contact the store immediately.
2. This product is for home use only and not intended for commercial establishment.

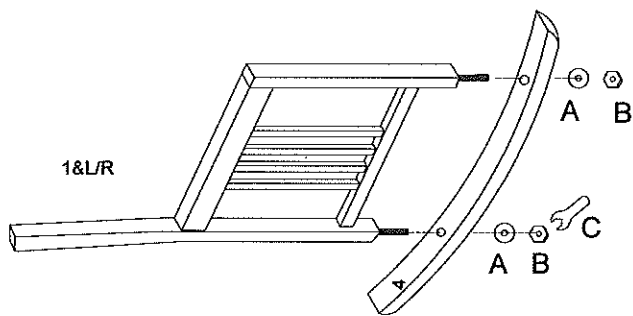
PARTS IDENTIFICATION:

- | | | | |
|-----|------------------------|--|-------|
| (1) | SIDE PANEL | | 2 PCS |
| (2) | BACK CUSHION | | 1 PC |
| (3) | ARM | | 2 PCS |
| (4) | ROCHER | | 2 PCS |
| (5) | SEAT CUSHION | | 1 PC |
| (6) | WING | | 2 PCS |
| (7) | FRONT STRETCHER TOP | | 1 PC |
| (8) | FRONT STRETCHER BOTTOM | | 1 PCS |
| (9) | BACK STRETCHER | | 2 PCS |

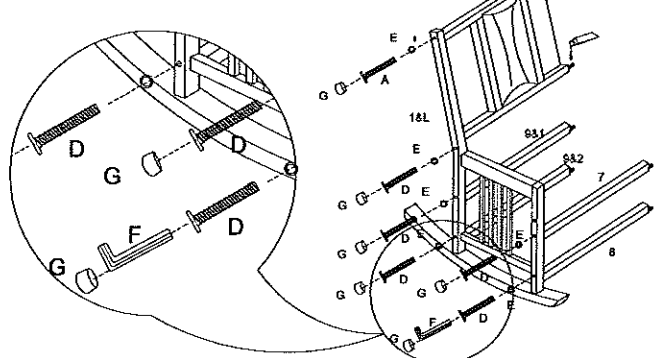
HARDWARE IDENTIFICATICON:

NO	DESCRIPTION	FIGURE	QTY
A	WASHER		4PCS
B	NUT		4PCS
C	BOX WRENCH		1PC
D	SCREWS		18PCS
E	SPRING WAHSER		20PCS
F	WRECH		1PC
G	WOODEN CAP		14PCS
H	GLUE		1PC
I	SCREWS		2PCS
J	WOOD SCREW		4PCS

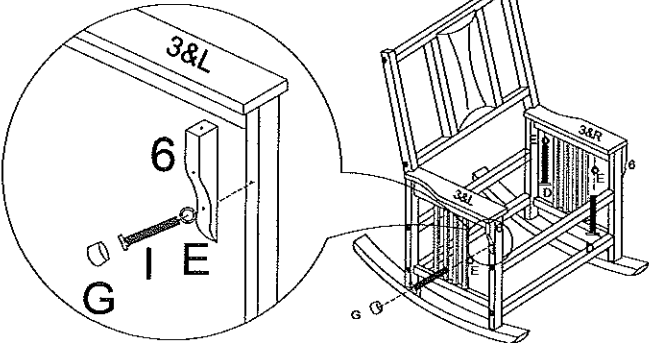
STEP 1



STEP 2



STEP 3



STEP 4

