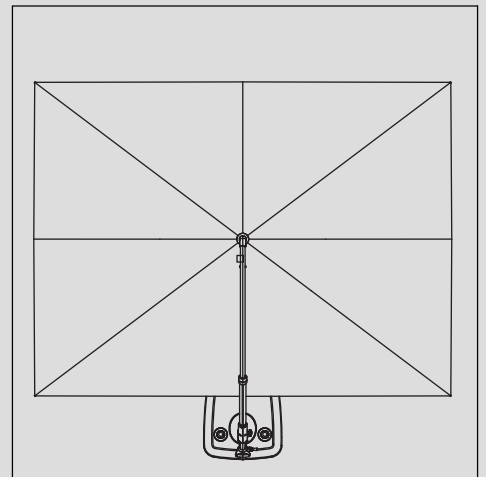
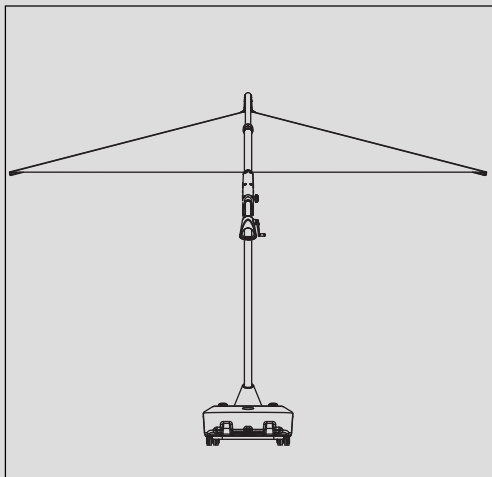
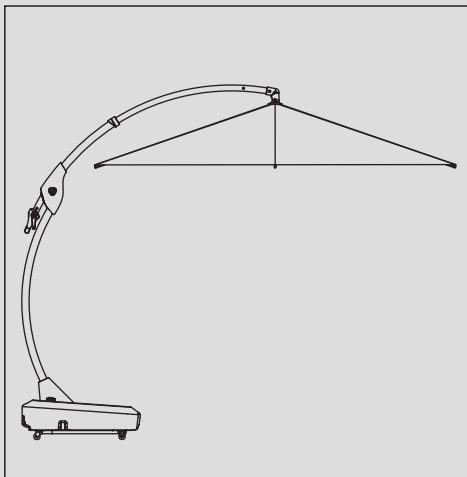
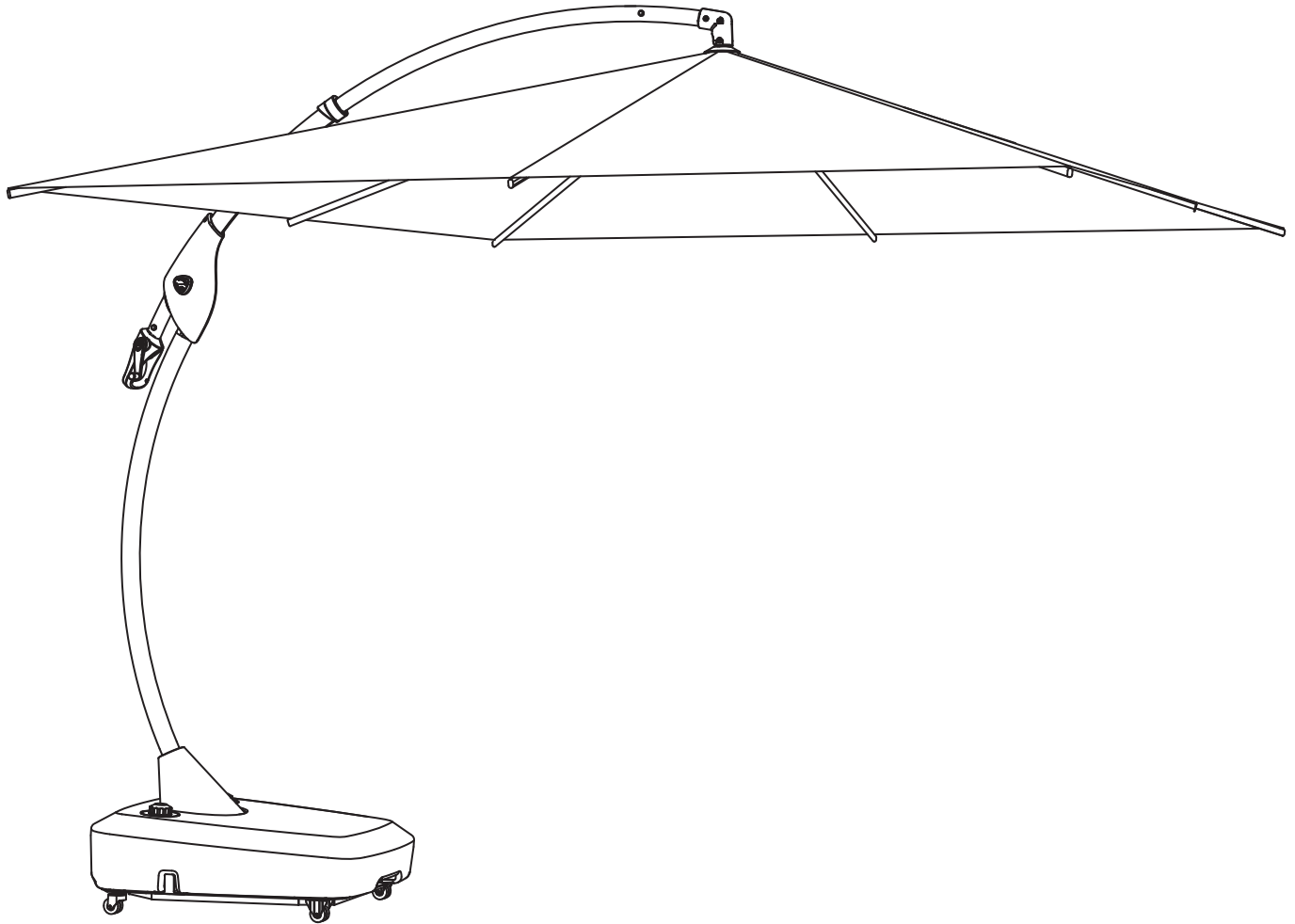


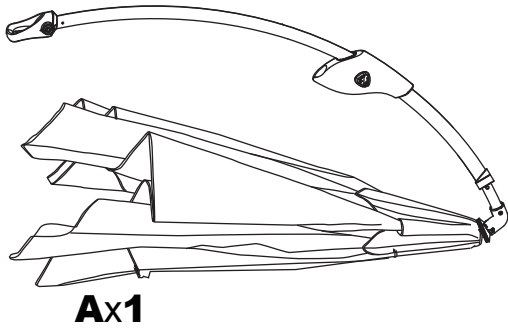
NAPOLI HANGING UMBRELLA

ASSEMBLY INSTRUCTIONS

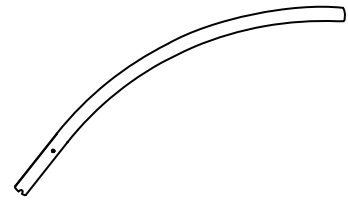




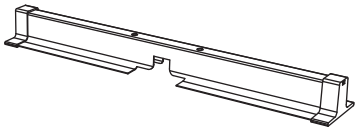
Before assembly, please check all parts are present. Contact our after-sales service if any parts are missing; they will be supplied free of charge.



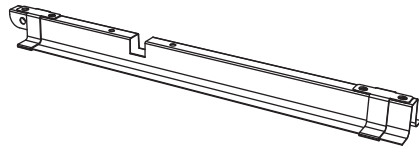
Ax1



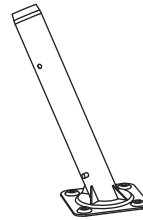
Bx1



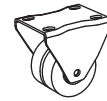
Fx1



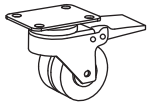
Gx1



Ix1



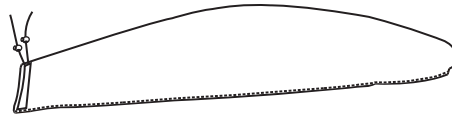
Jx2



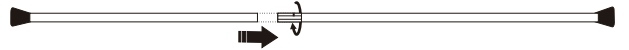
Kx2



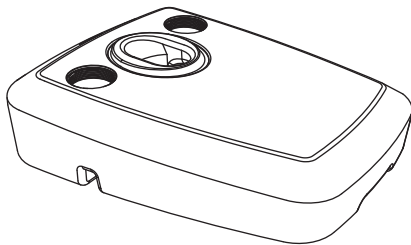
Lx1



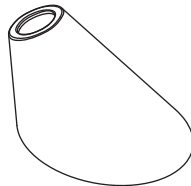
Yx1



Zx1



Cx1



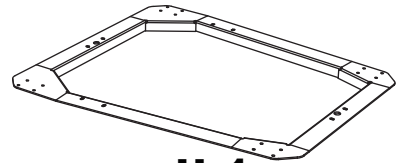
Dx1



Ex2



E1x1



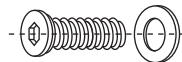
Hx1

ATTENTION: C&D&E&E1&H in carton 2



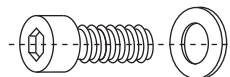
M6X12

Mx24



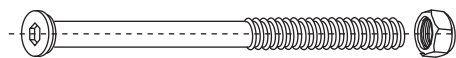
M8X14

Nx3



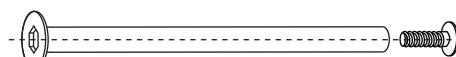
M10X20

Ox4



M8X70

Px1

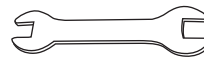


M6XØ8.8X68

Qx1



Rx1



Sx1

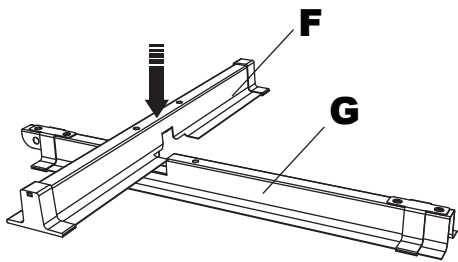


Tx1

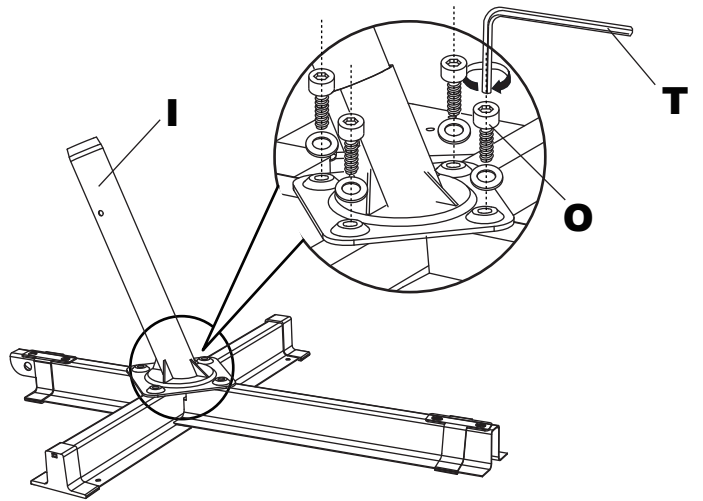


Ux2

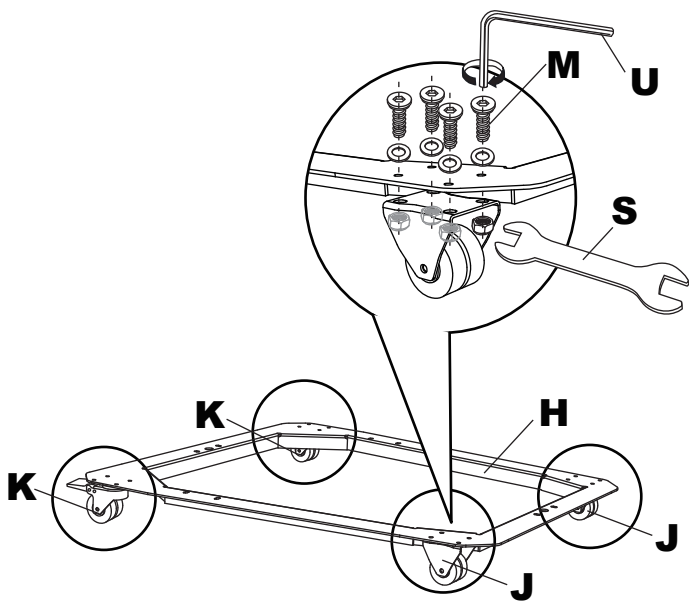
1



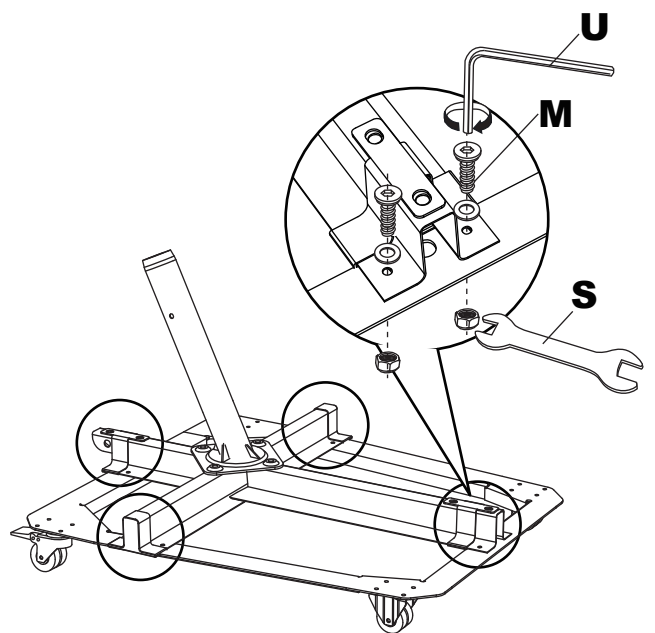
2



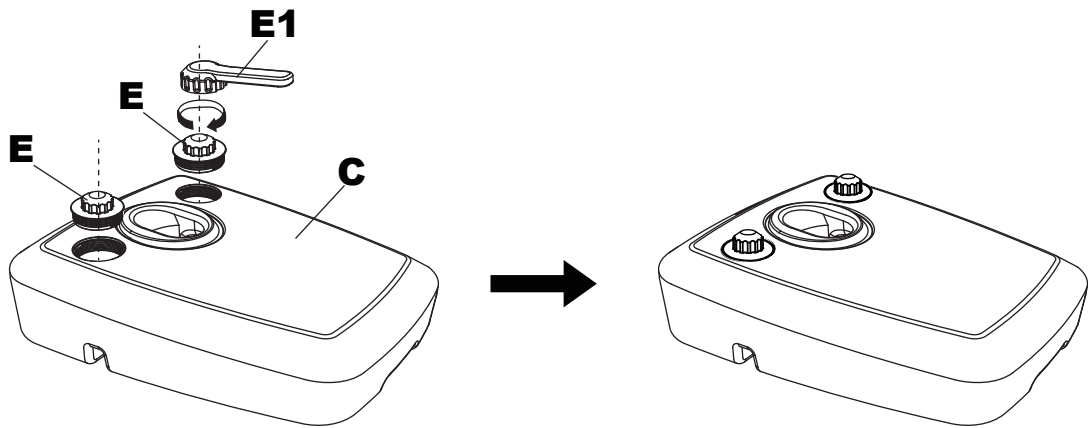
3



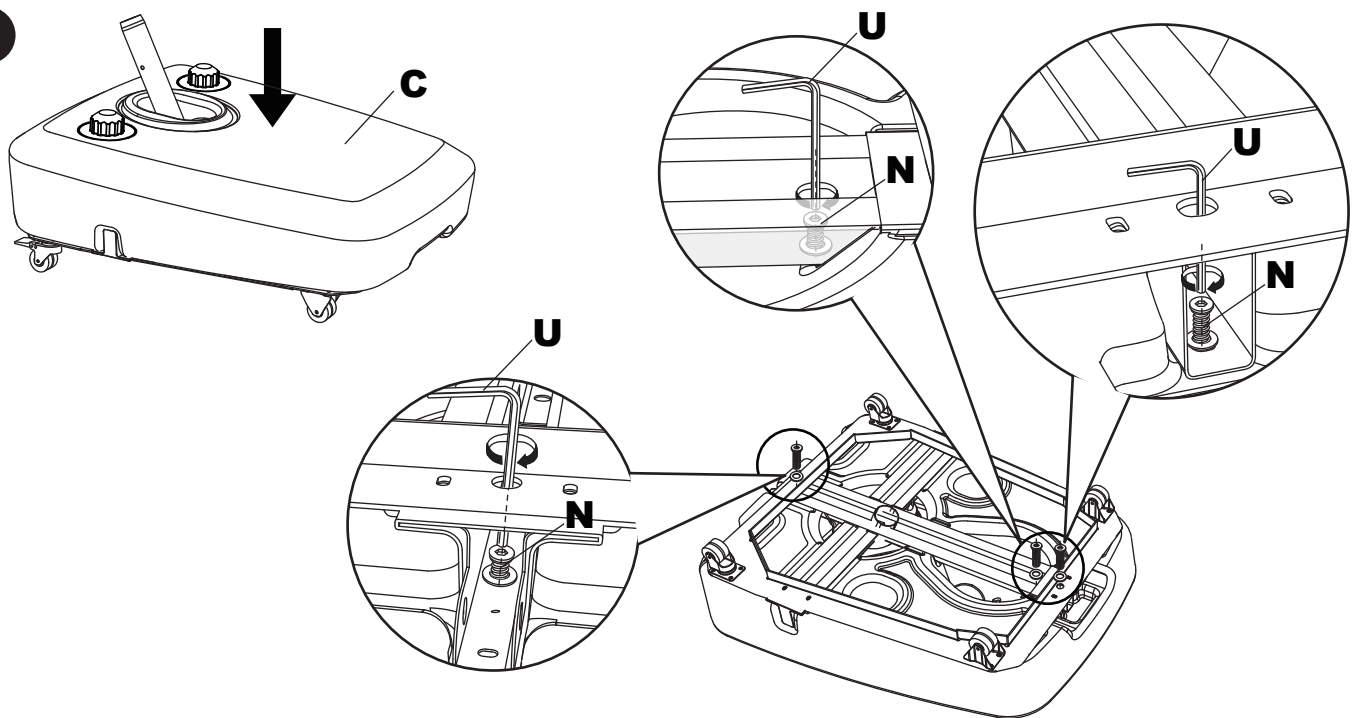
4



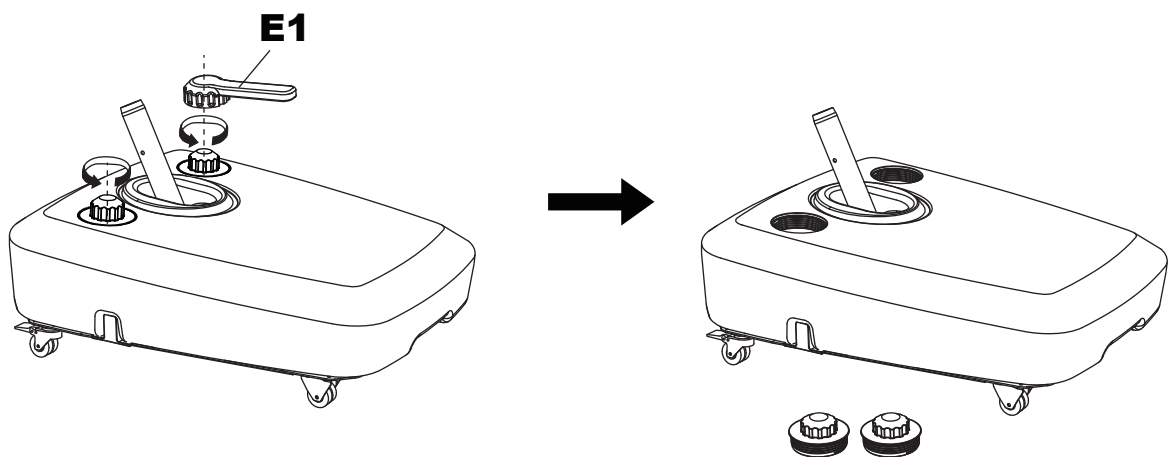
5



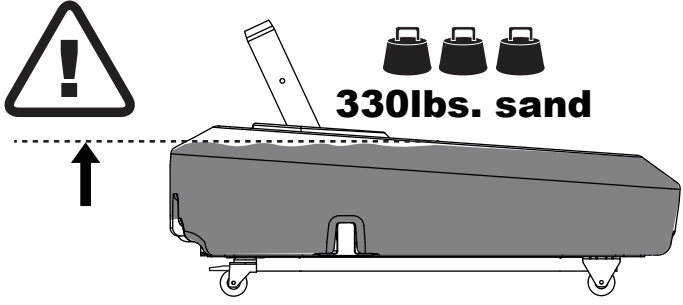
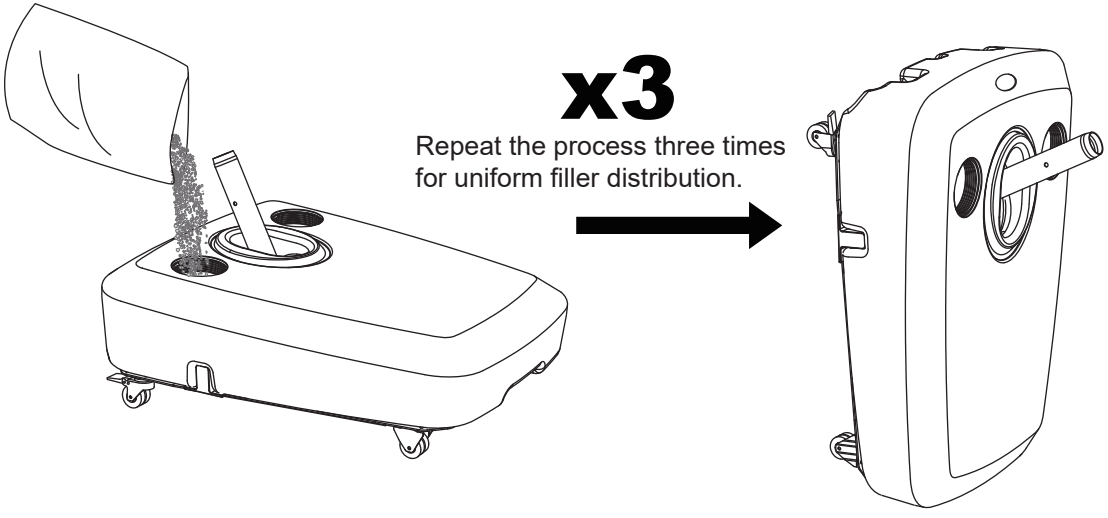
6



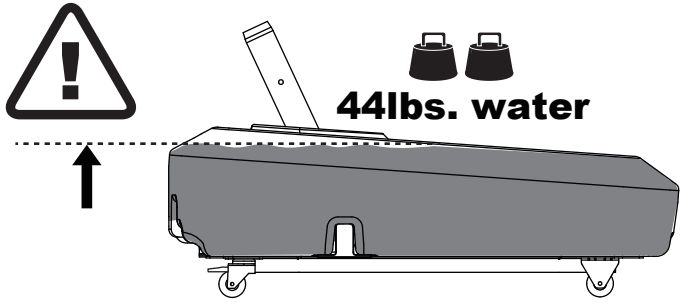
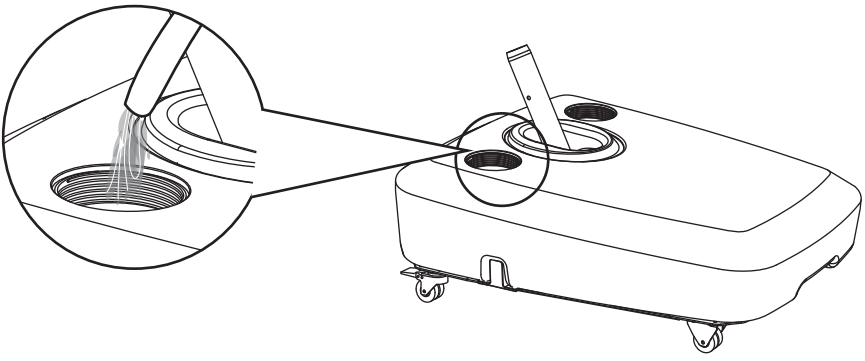
7



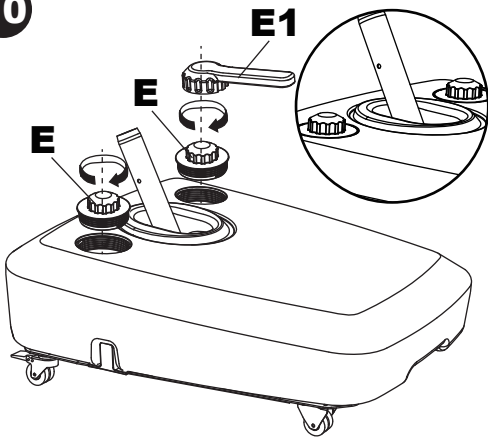
8



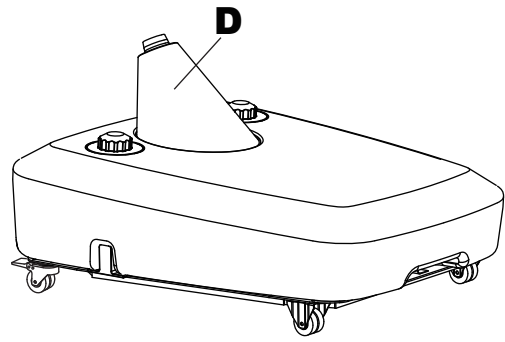
9



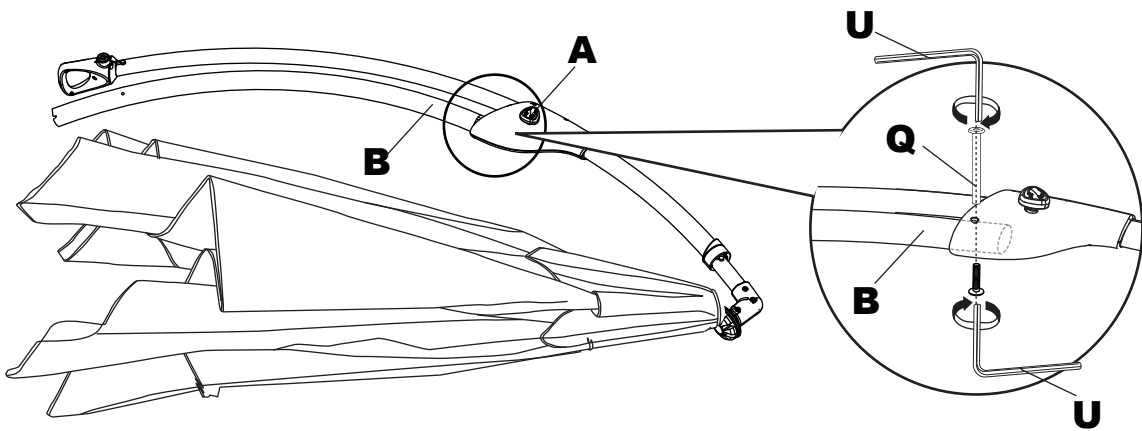
10



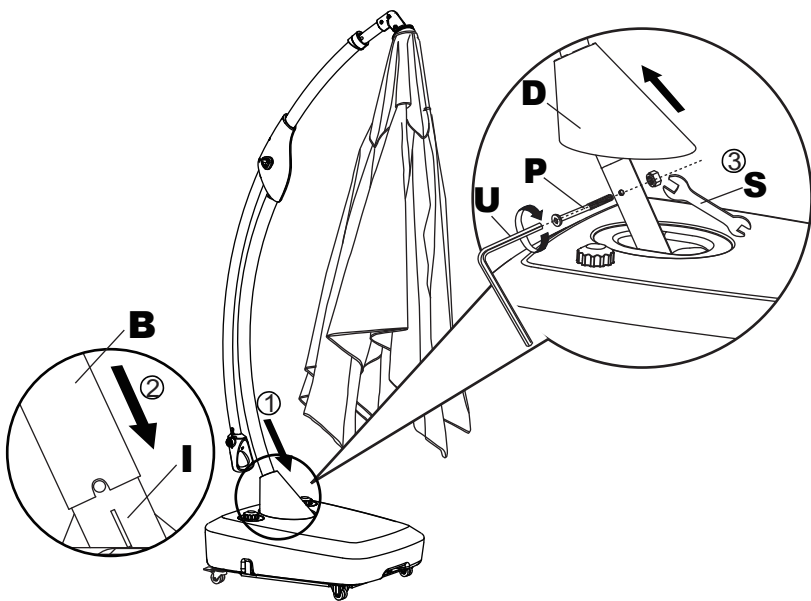
11



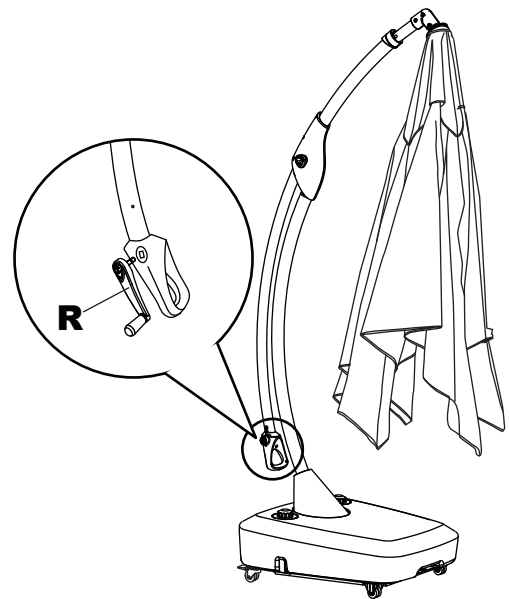
12



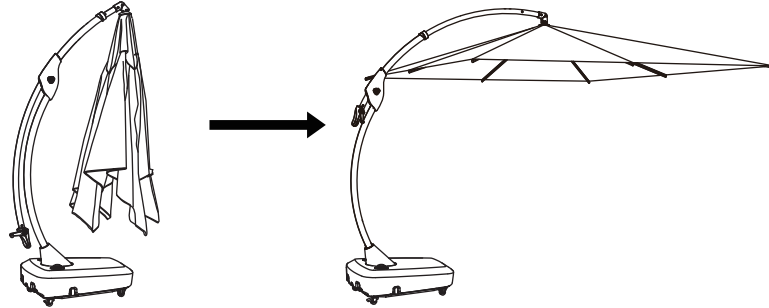
13



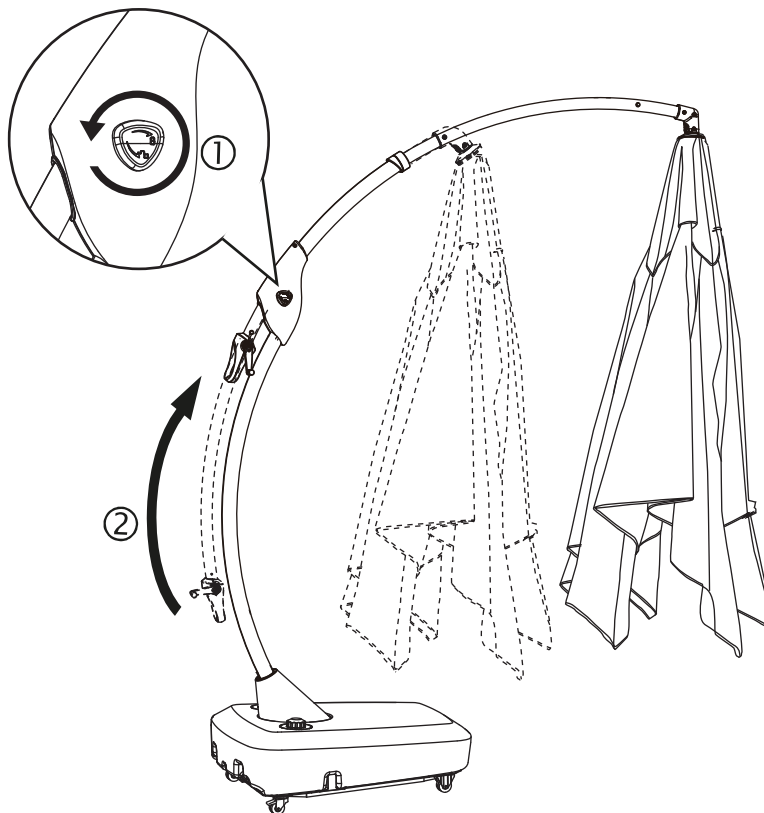
14



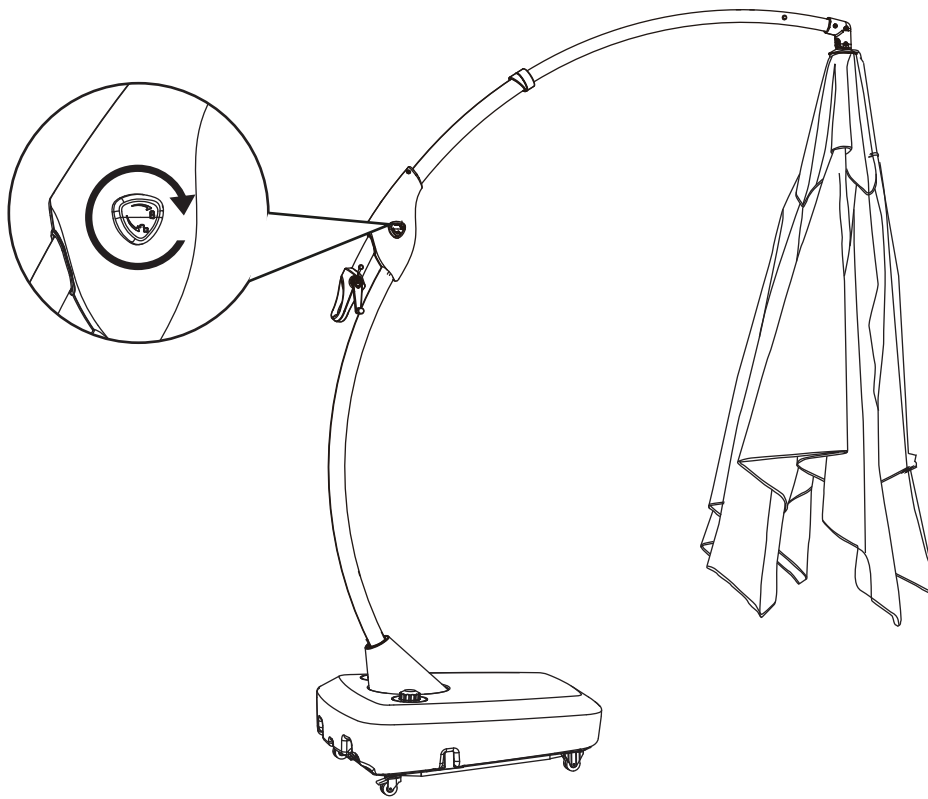
I



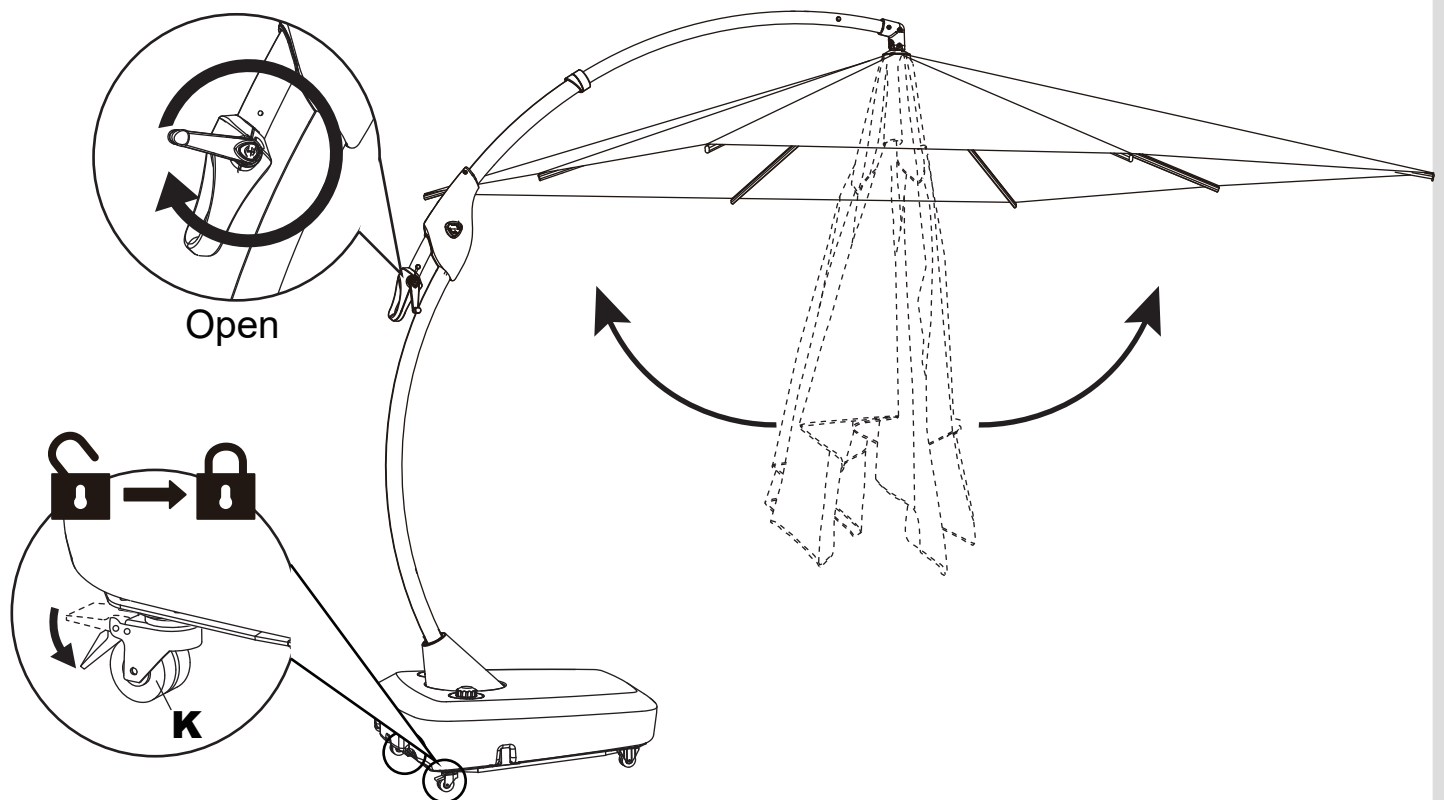
Step 1



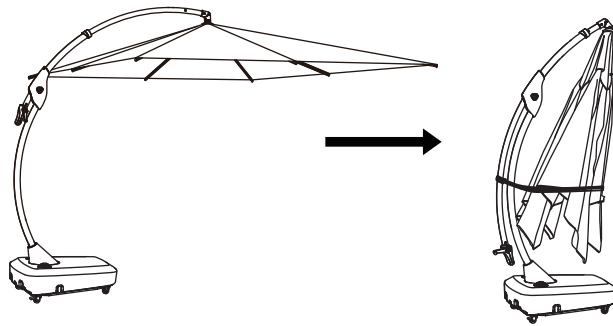
Step 2



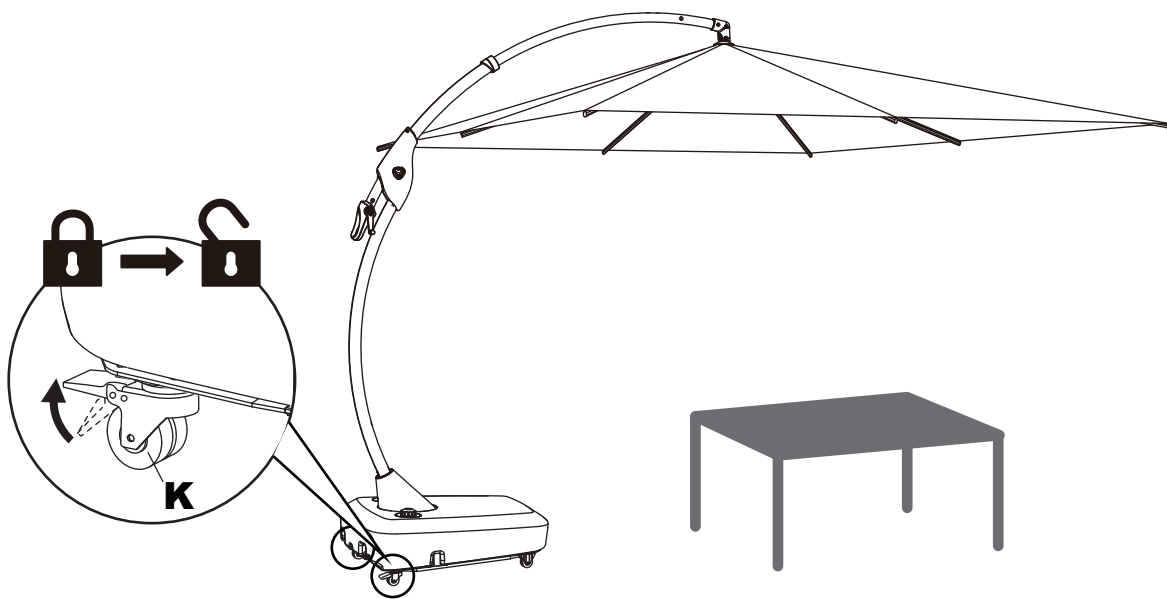
Step 3



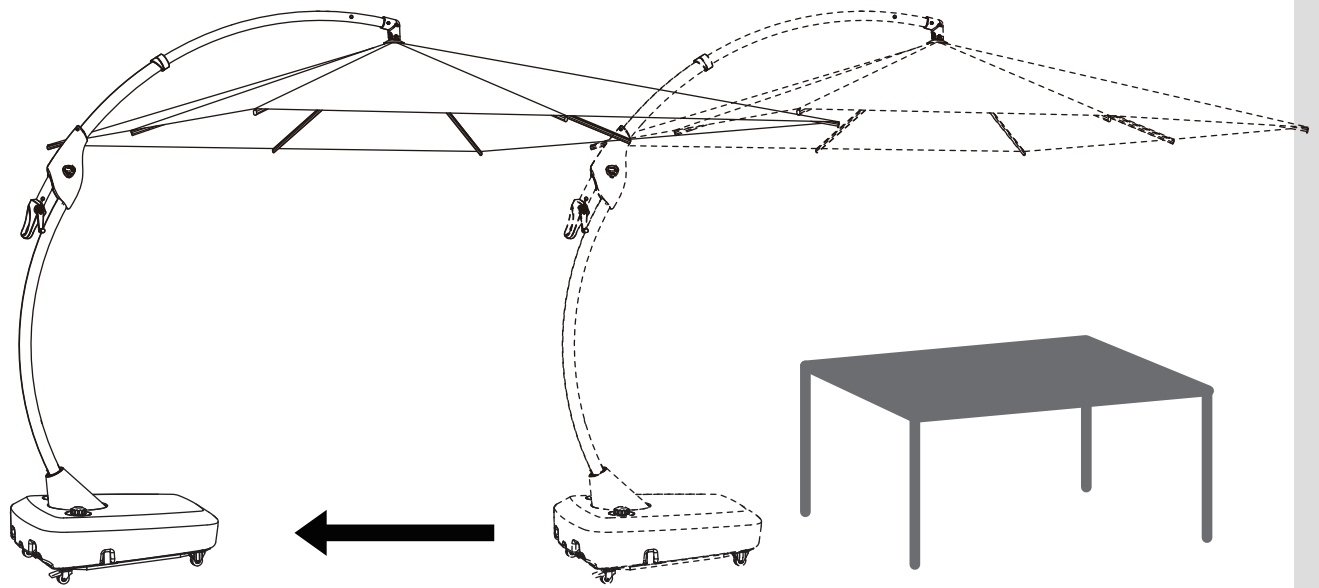
II



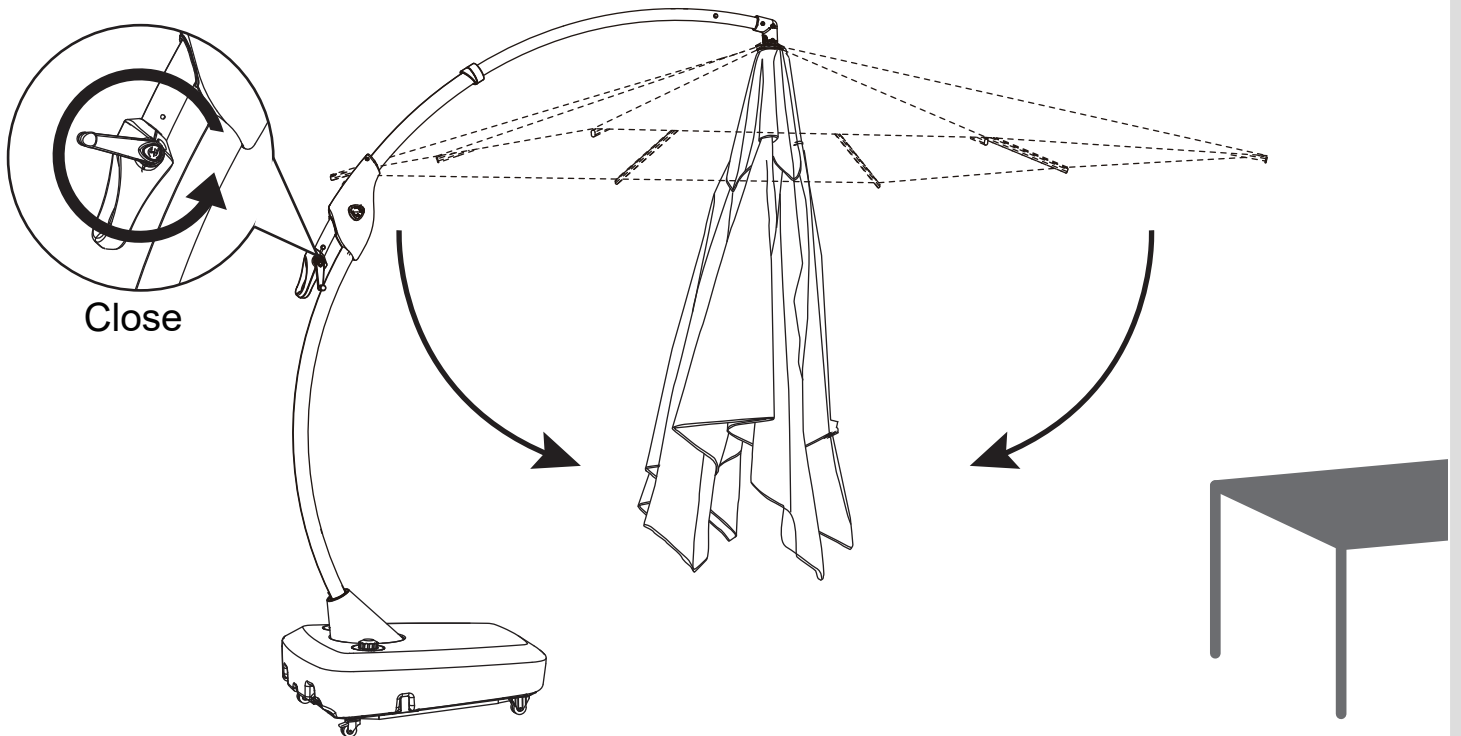
Step 1



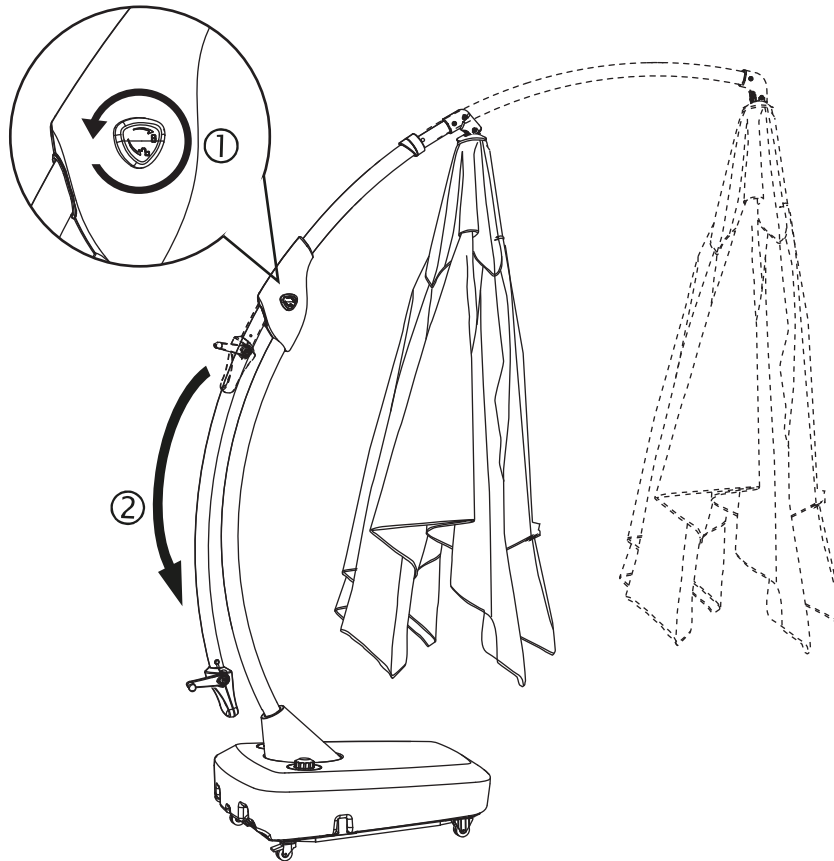
Step 2



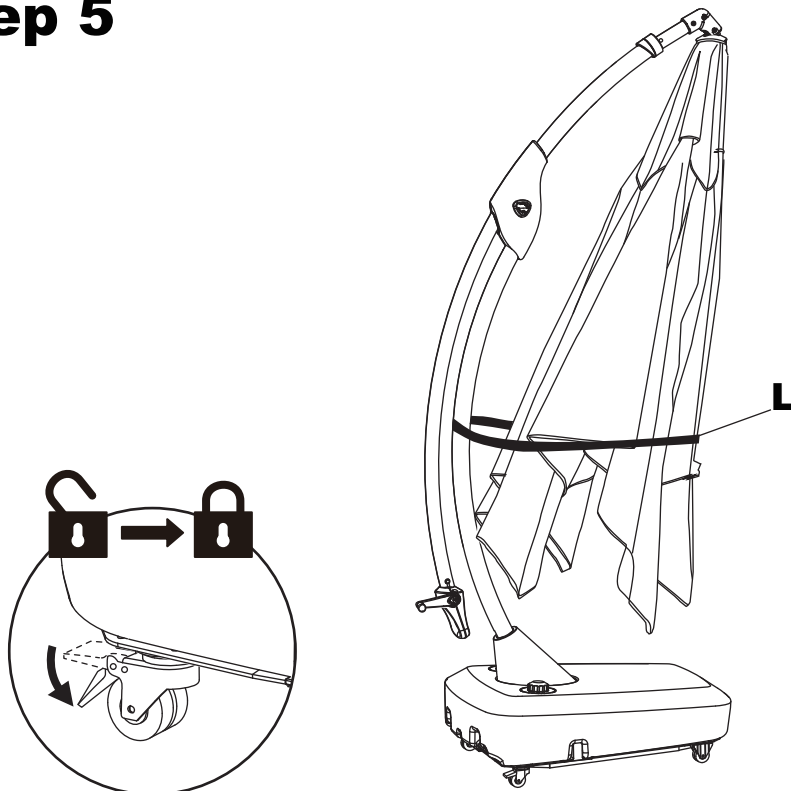
Step 3



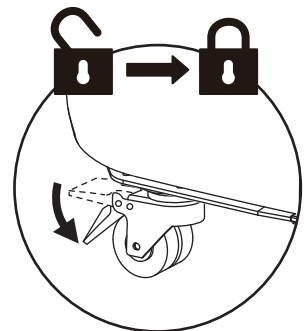
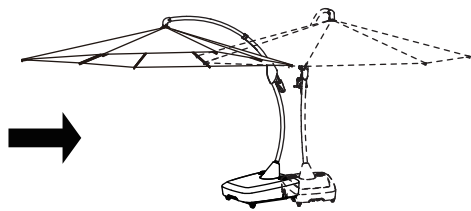
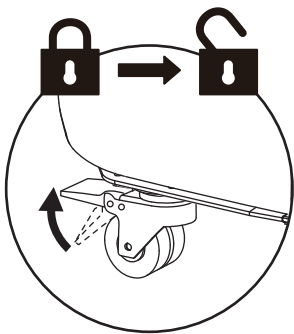
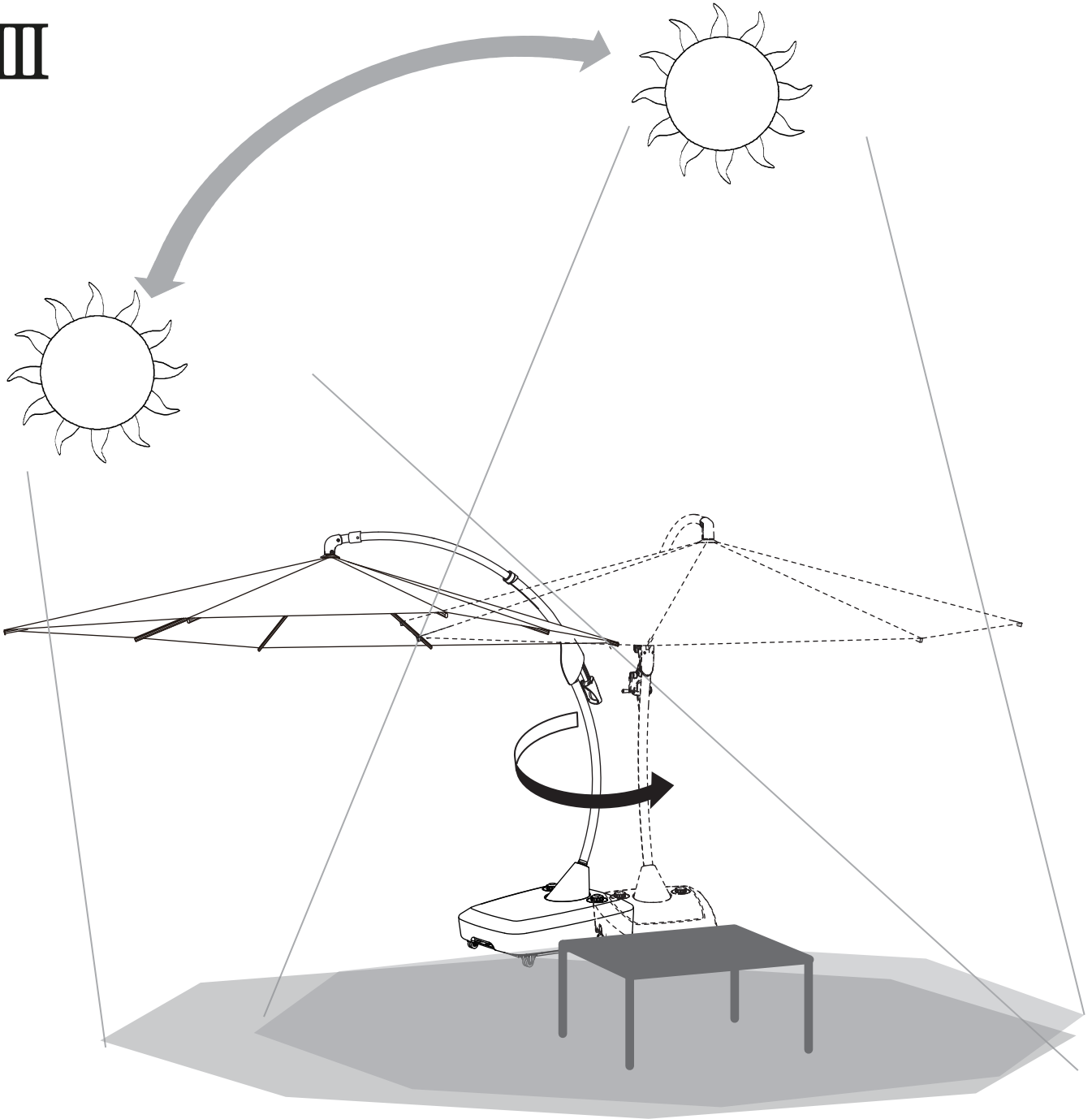
Step 4



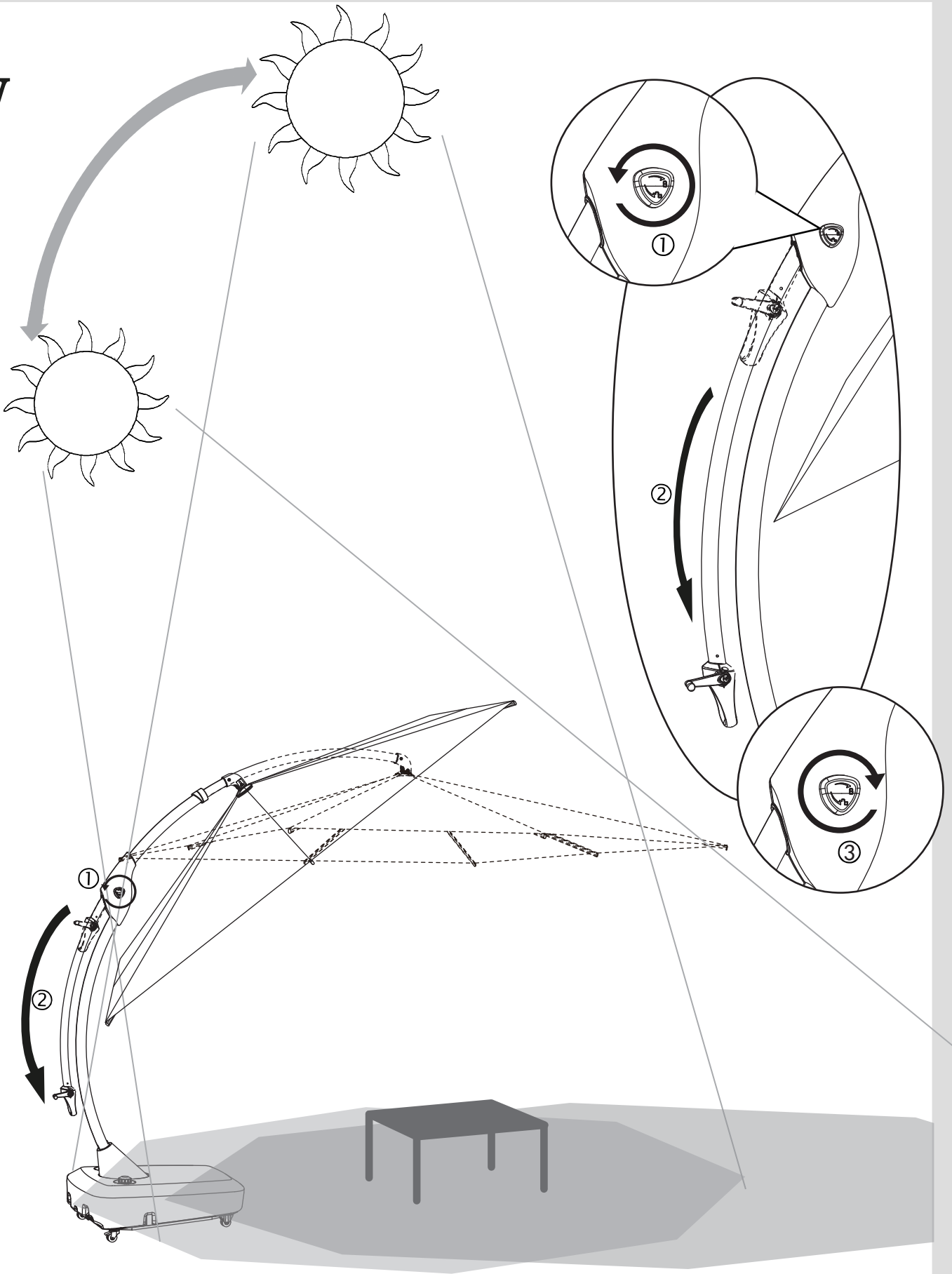
Step 5



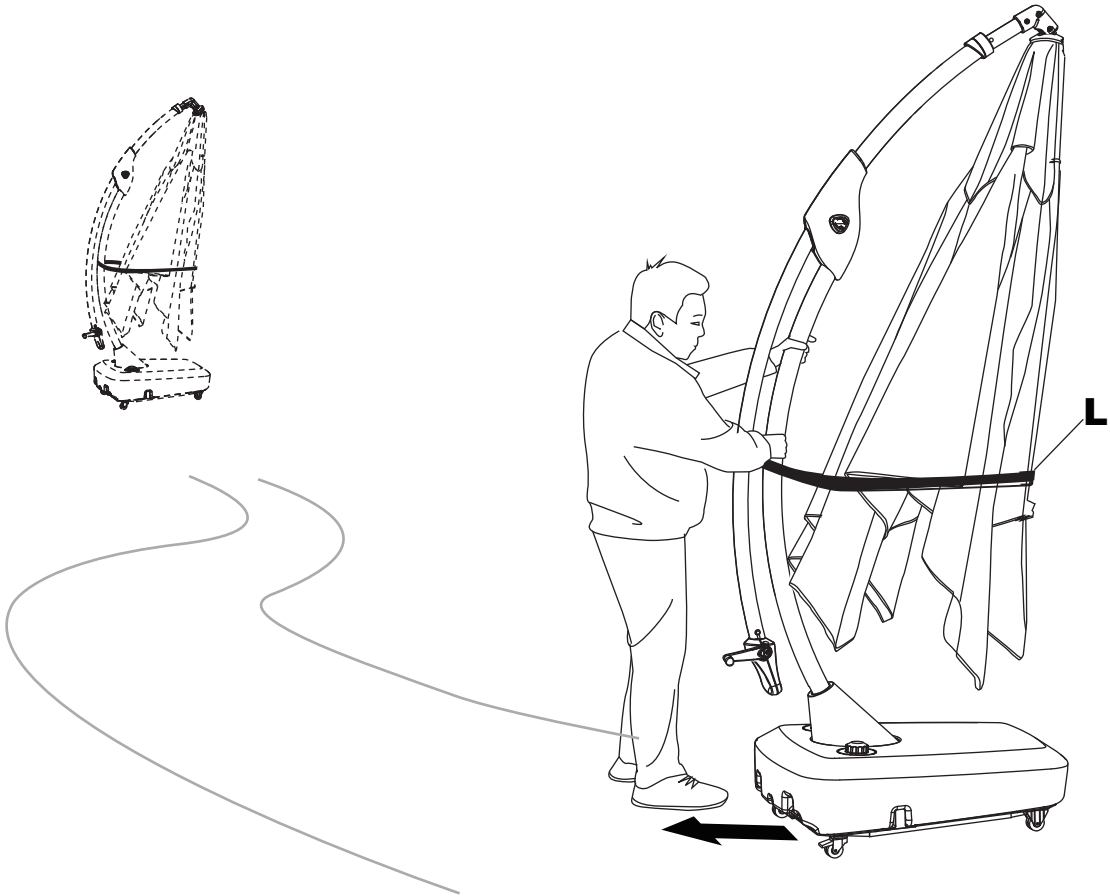
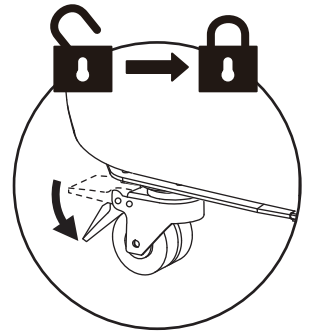
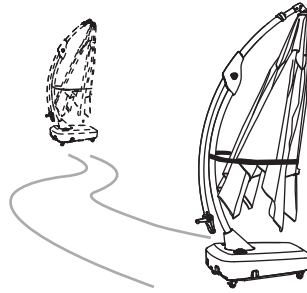
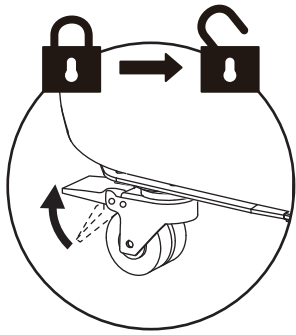
III



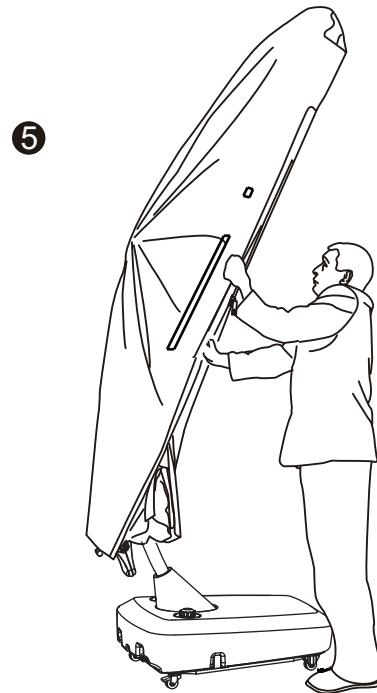
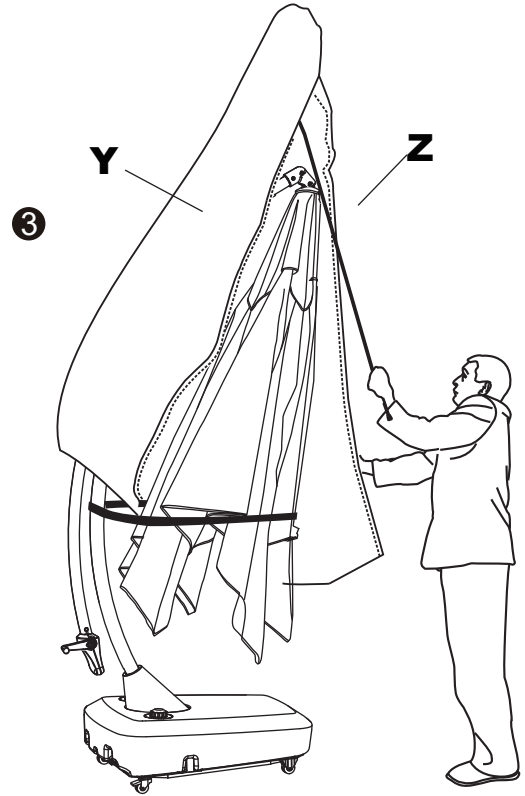
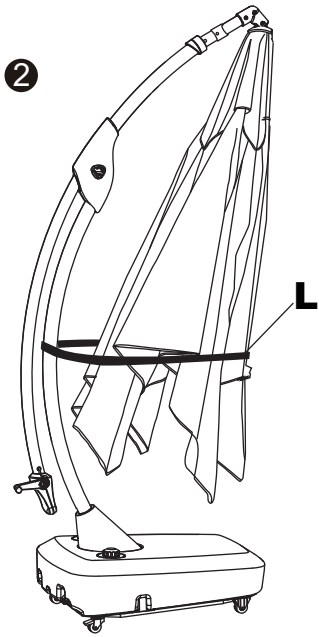
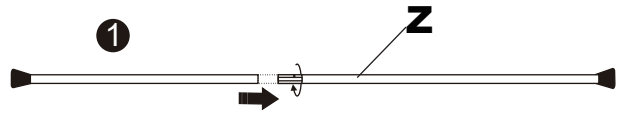
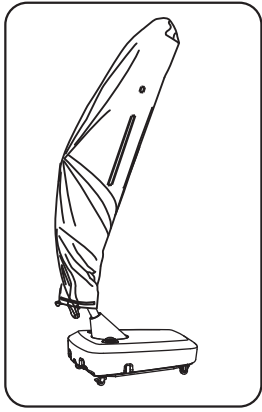
IV



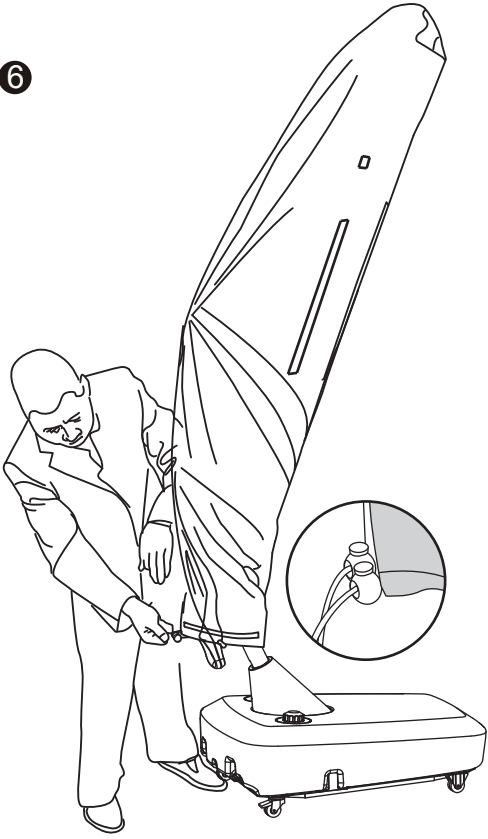
V



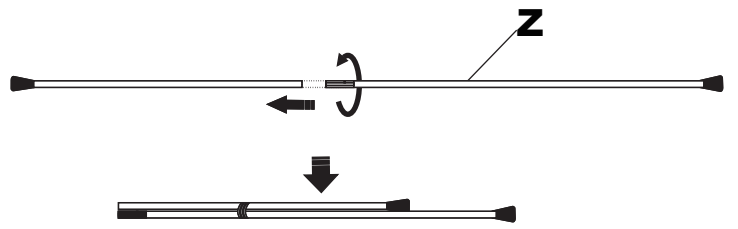
VI



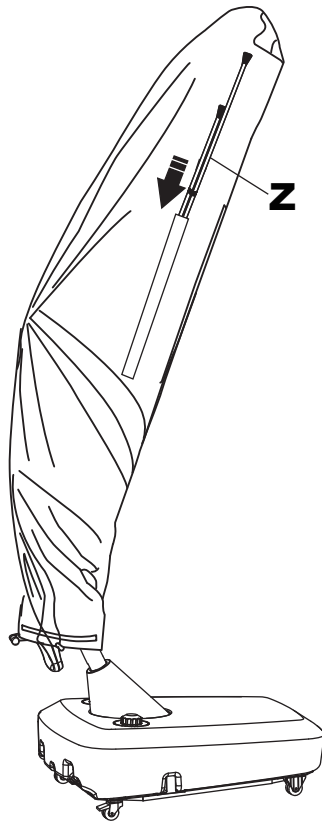
6



7



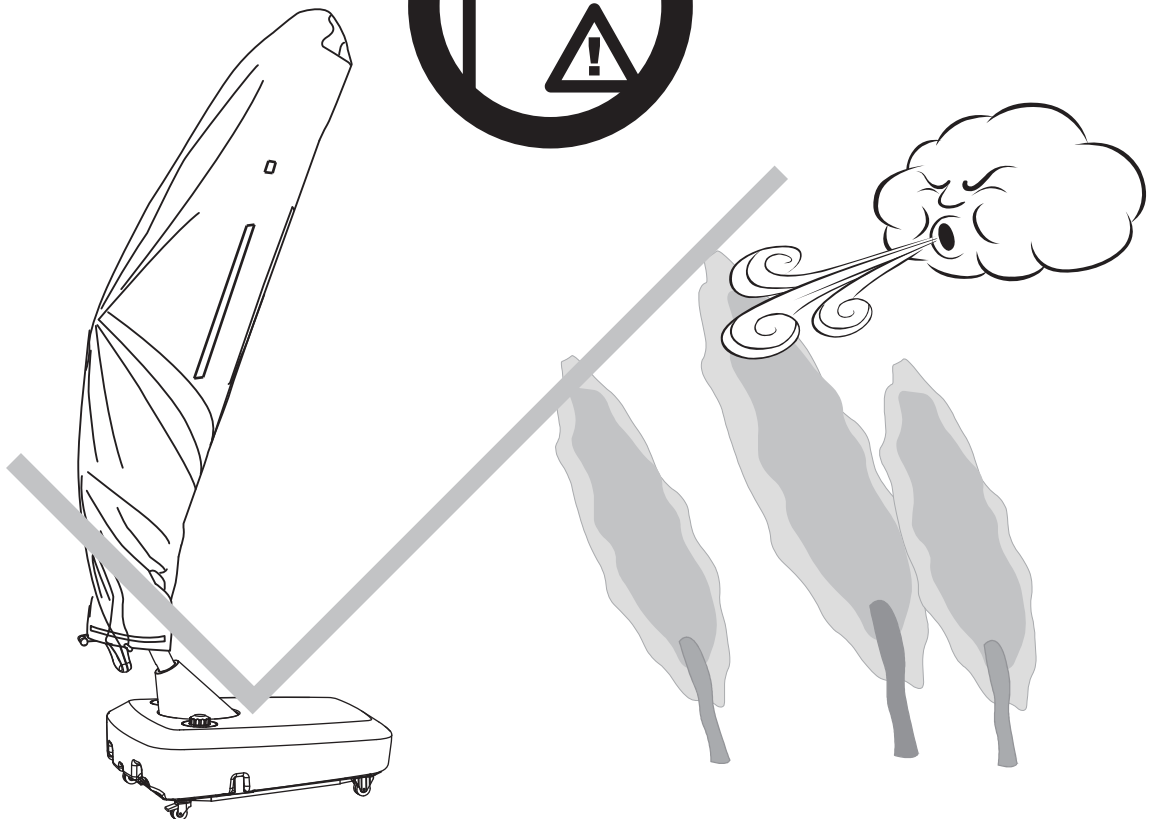
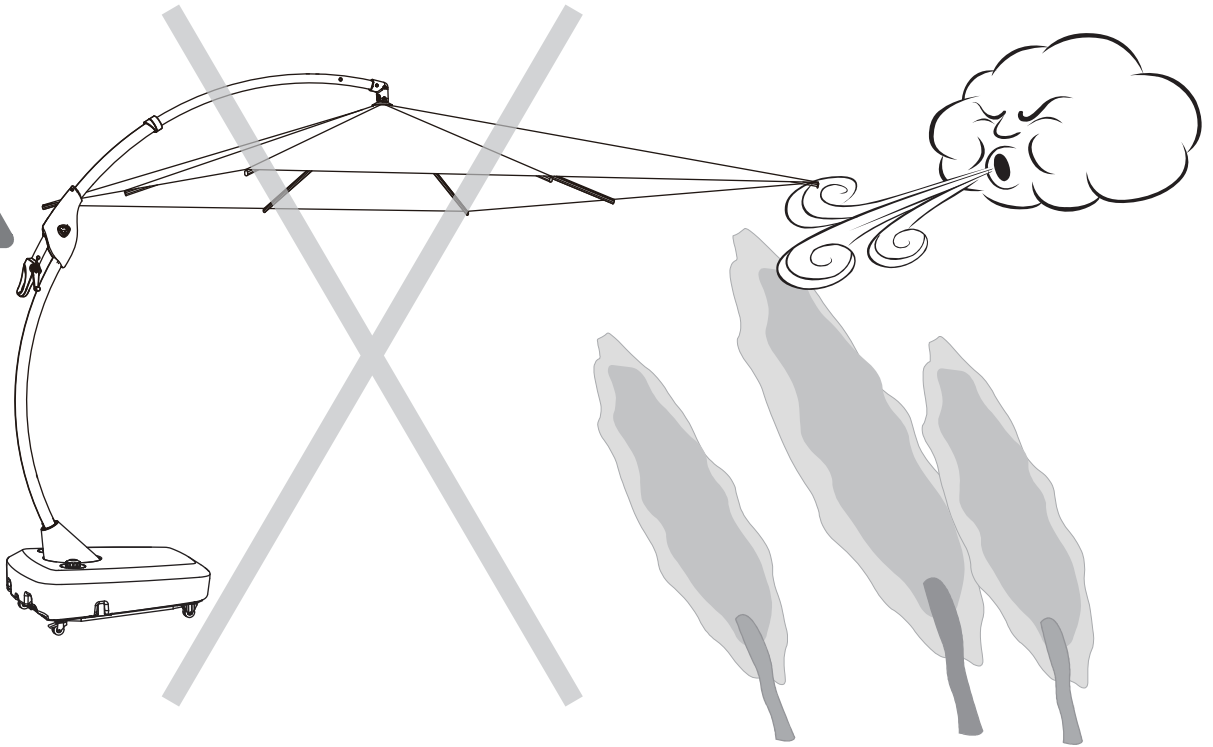
8





The umbrella must be retracted during extreme weather. Damage resulting from failure to comply, such as torn fabric or broken ribs/pole, is excluded from warranty coverage.

VII



VIII

