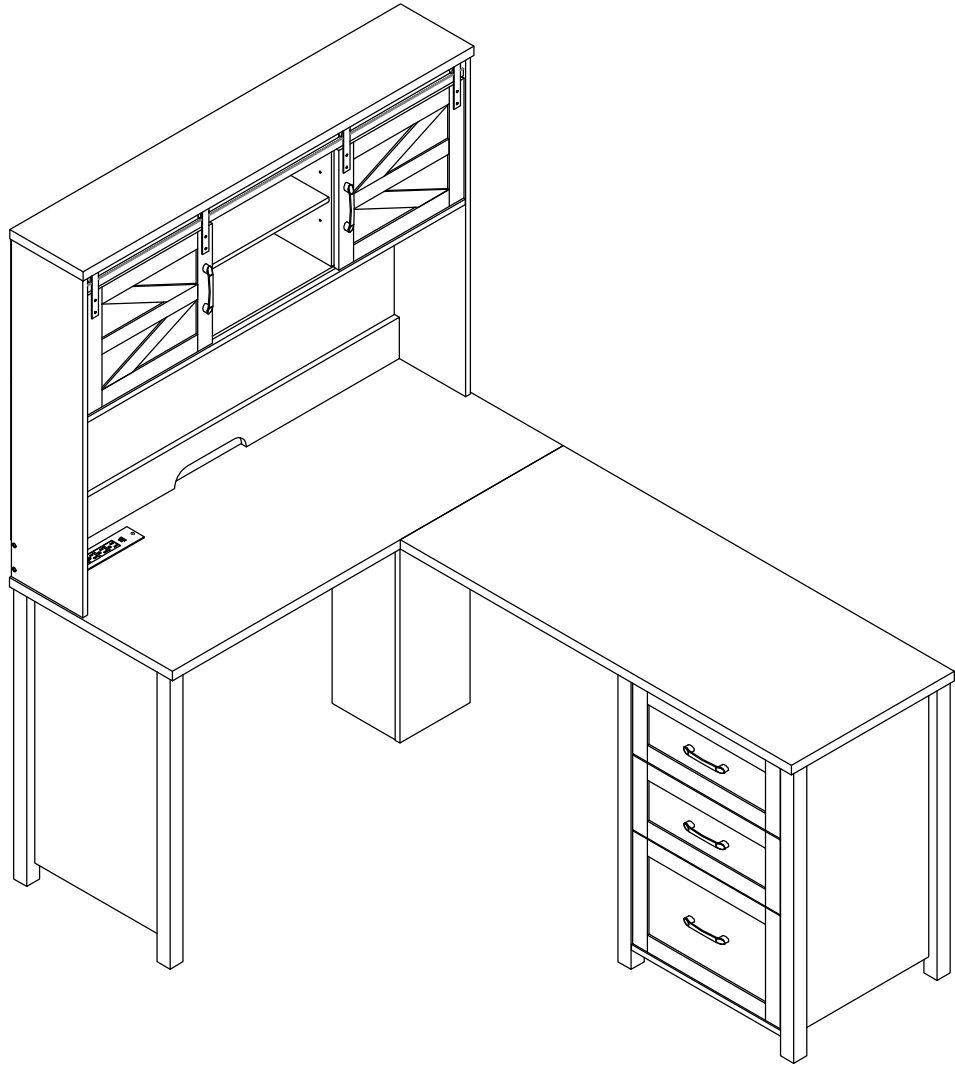

DA0271

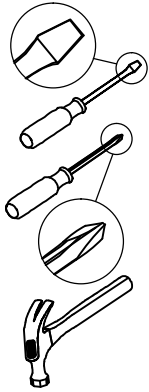


As this item contains many parts, please read the installation instruction carefully before installation . Please use tools properly and carefully. If you have any questions about the product and installation, please contact us.

hosoteservice@gmail.com

Our professional after-sales team will serve you online all day.

Before You Start



- ✓ Read through each step carefully and follow the proper order
- ✓ Separate and count all your parts and hardware
- ✓ Give yourself enough room for the assembly process
- ✓ Have the following tools: Flat Head Screwdriver, #2 Phillips Head Screwdriver and Hammer
- ✓ Caution: If using a power drill or power screwdriver for screwing, please be aware of to slow down and stop when screw is tight. Failure to do so may result in stripping the screw. (Assembly speed can be increased by using electric screwdriver)

Helpful Hints

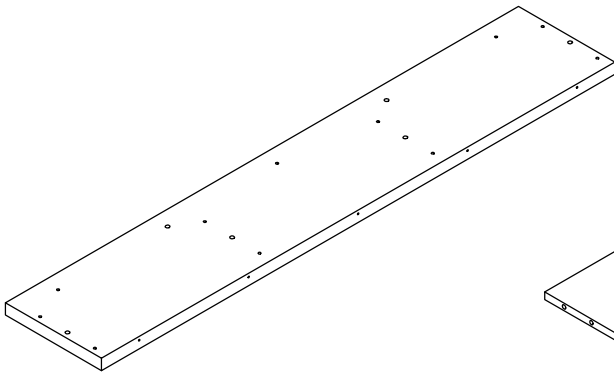
PEOPLE NEEDED FOR ASSEMBLY: 1-2

- Open your item in the area you plan to keep it to avoid excessive heavy lifting.
- Identify, sort and count the parts before attempting assembly.
- Compression dowels are lightly tapped in with a hammer.
- Slides are labeled with an **R** (right) and **L** (left) for proper placement.
- Make sure to always face the point on the top of the Cam Lock towards the outer edge.
- If there is a back panel in the package, please install it to make sure your unit is complete and sturdy.
- Please fix all the screws provided for the back panel which can enhance product stability. If it is difficult to fix it when tightening, it can be fixed with the help of a hammer and then tightened.
- Do NOT use harsh chemicals or abrasive cleaners on this item.
- Never push, pull, or drag your furniture.



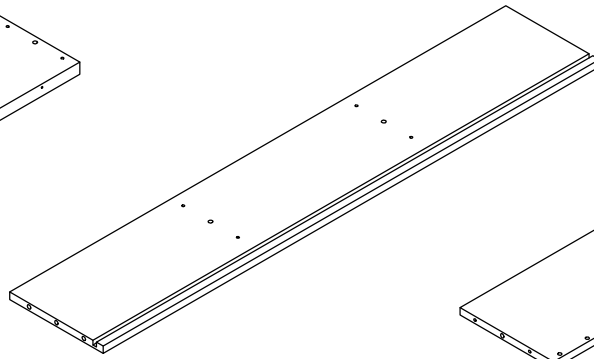
Board Identification

Not actual size



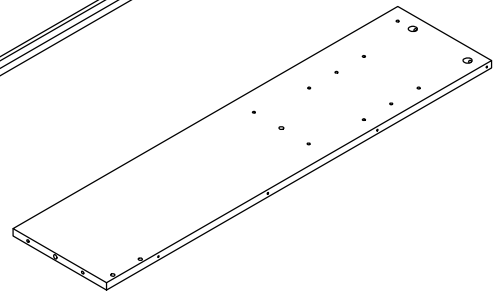
①

TOP PANEL



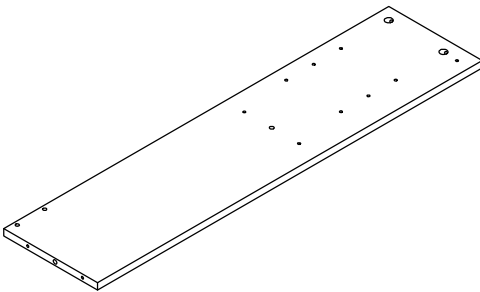
②

UPPER BOTTOM



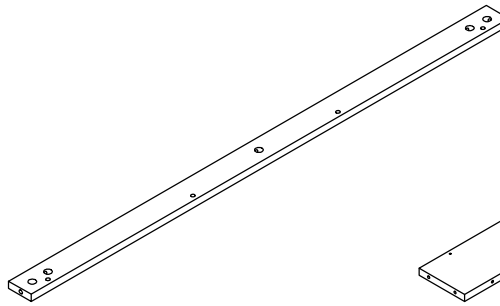
③

UPPER LEFT SIDE PANEL



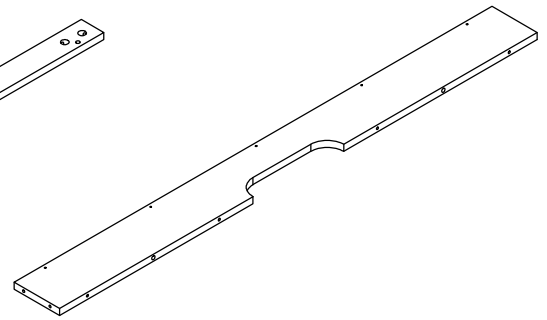
④

UPPER RIGHT SIDE PANEL



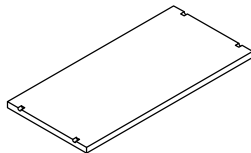
⑤

UPPER RAIL



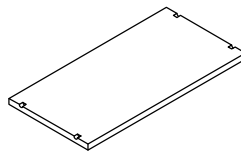
⑥

BACK SEPTUM



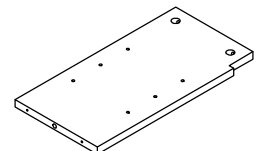
⑦

SHELF PANEL



⑧

SHELF PANEL
Qty:2

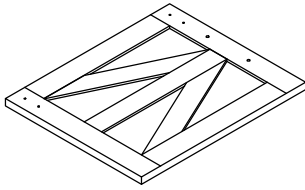


⑨

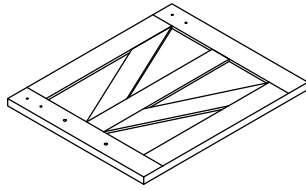
SHELF PANEL
Qty:2

Board Identification

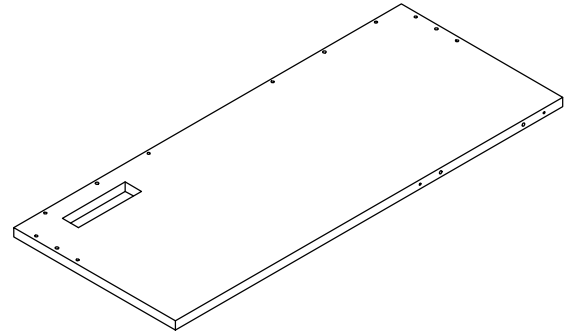
Not actual size



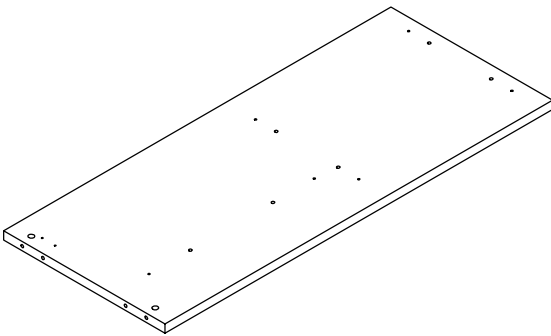
⑩
LEFT DOOR



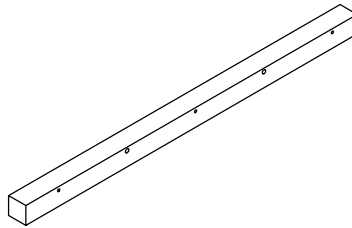
⑪
RIGHT DOOR



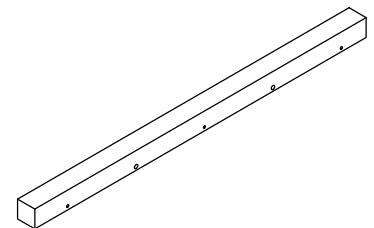
⑫
DESK TOP



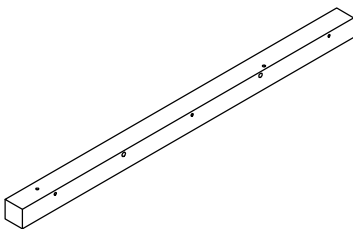
⑬
DESK TOP



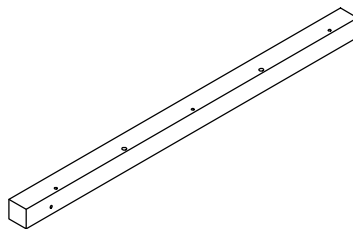
⑭
LEG



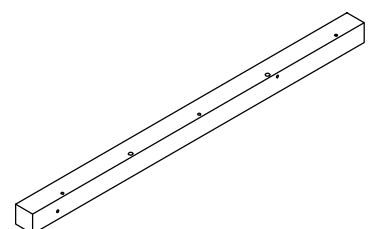
⑮
LEG



⑯
LEG



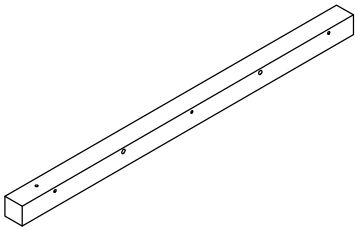
⑰
LEG



⑱
LEG

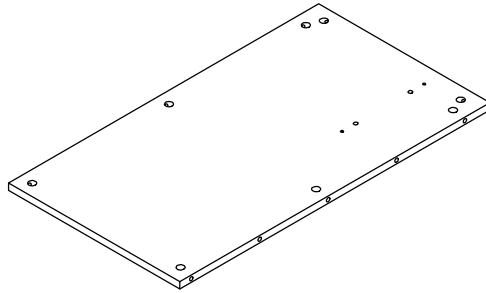
Board Identification

Not actual size



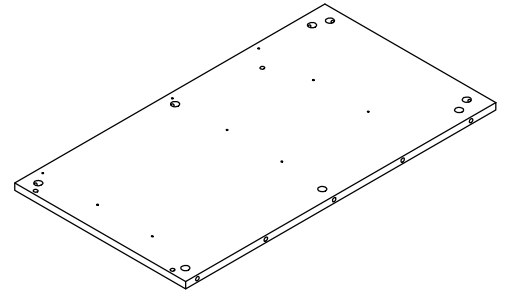
19

LEG



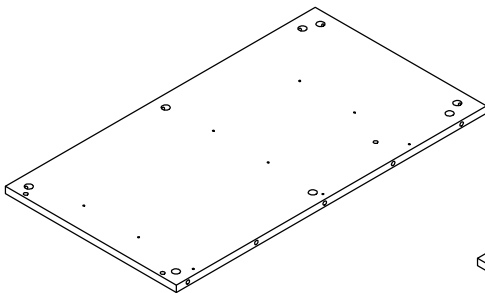
20

LOWER LEFT SIDE PANEL



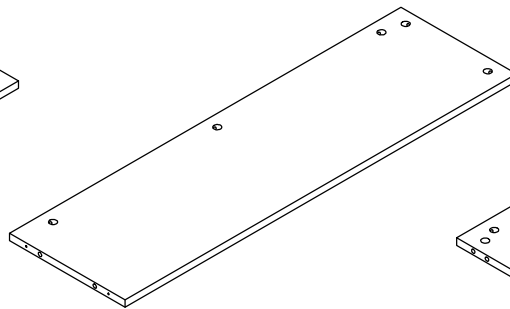
21

LOWER LEFT SIDE PANEL



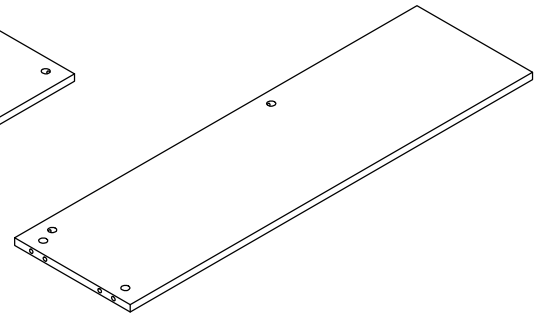
22

LOWER RIGHT SIDE PANEL



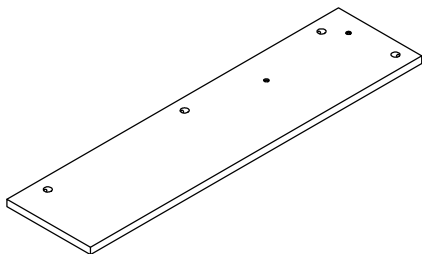
23

BACK SLAT



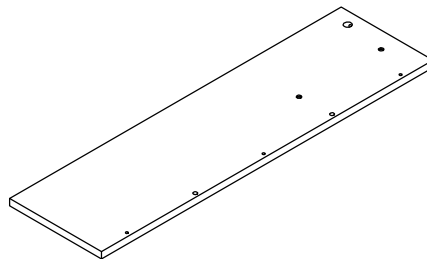
24

BACK SLAT



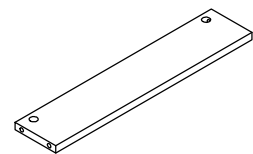
25

LEG



26

LEG

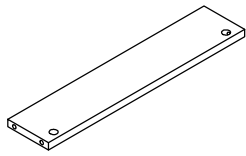


27

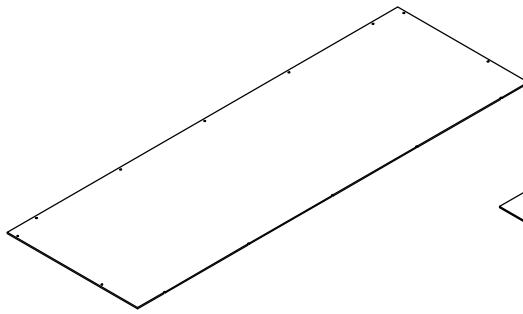
FRONT SLAT

Board Identification

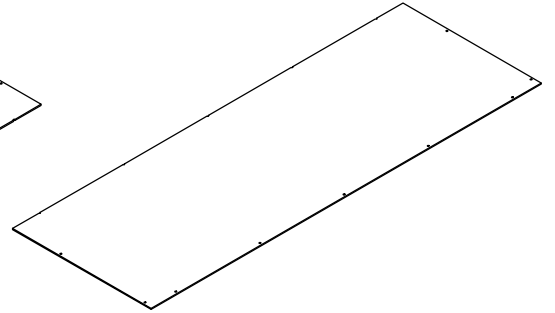
Not actual size



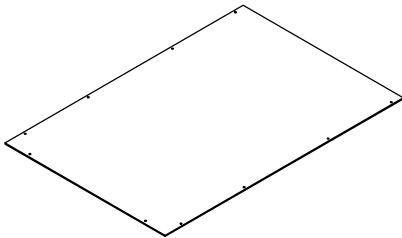
28
BOTTOM



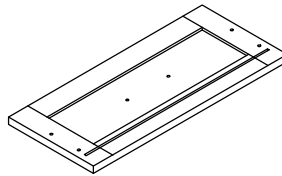
29
UPPER BACK PANEL



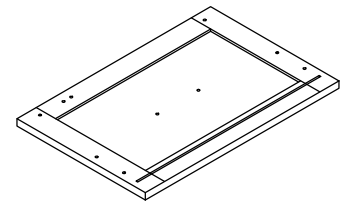
30
UPPER BACK PANEL



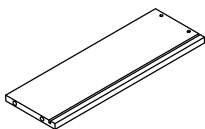
31
LOWER BACK PANEL



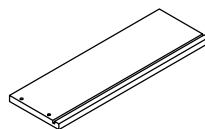
32
DRAWER FRONT PANEL
Qty:2



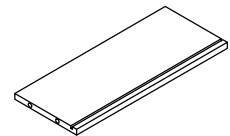
33
DRAWER FRONT PANEL



34
DRAWER LEFT SIDE PANEL
Qty:2



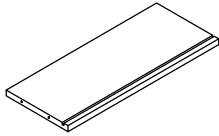
35
DRAWER RIGHT SIDE PANEL
Qty:2



36
DRAWER LEFT SIDE PANEL

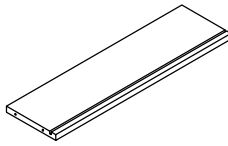
Board Identification

Not actual size



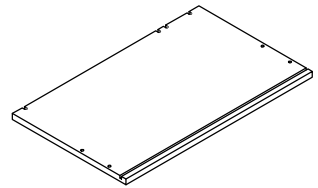
37

DRAWER RIGHT SIDE PANEL



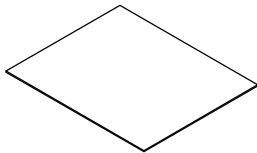
38

DRAWER BACK PANEL
Qty:2



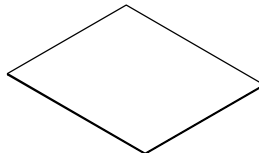
39

DRAWER BACK PANEL



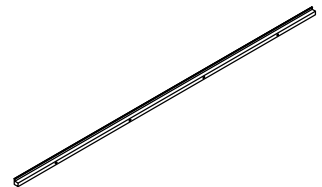
40

DRAWER BOTTOM PANEL
Qty:2



41

DRAWER BOTTOM PANEL

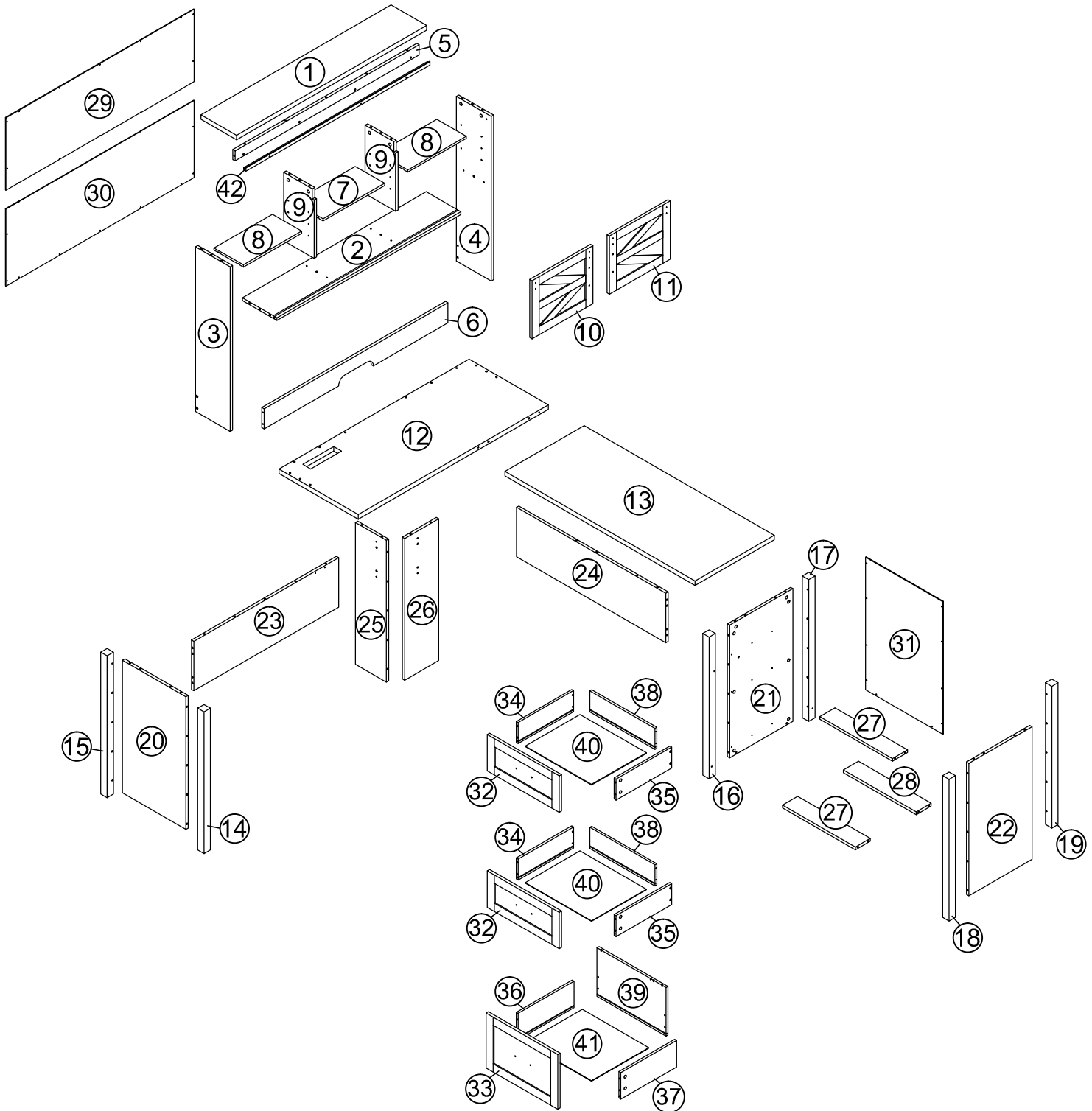


42

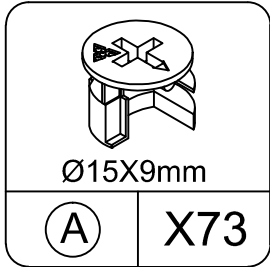
UPPER RAIL

Board Identification

Not actual size

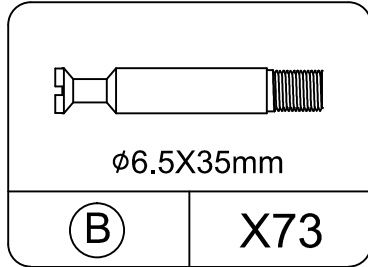


Part List



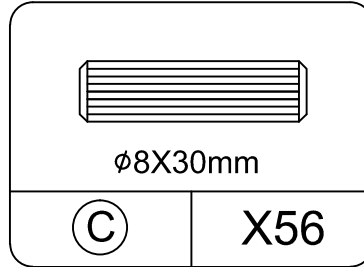
(A) X73

CAM LOCK
spare: 3



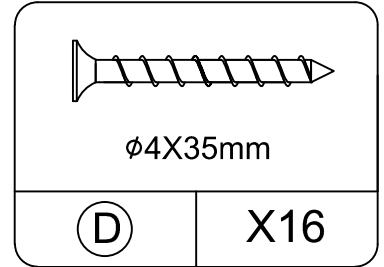
(B) X73

CAM BOLT
spare: 3



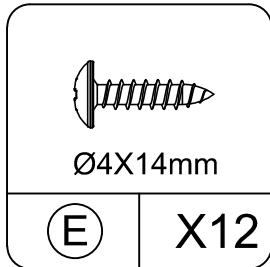
(C) X56

WOOD DOWEL
spare: 3



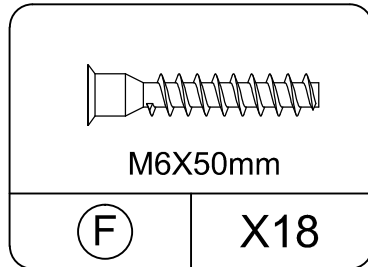
(D) X16

SCREW
spare: 1



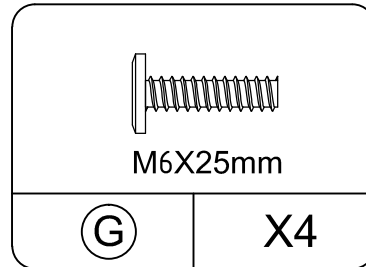
(E) X12

SCREW
spare: 1



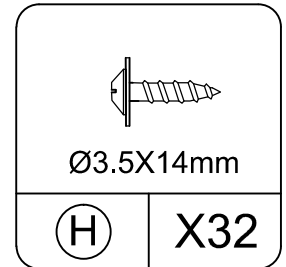
(F) X18

SCREW
spare: 1



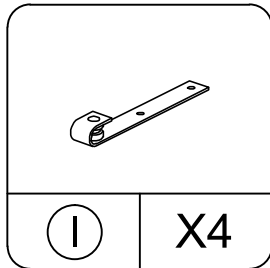
(G) X4

SCREW
spare: 1



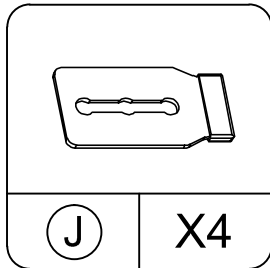
(H) X32

SCREW
spare: 3



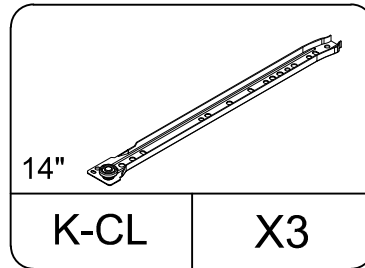
(I) X4

PULLEY



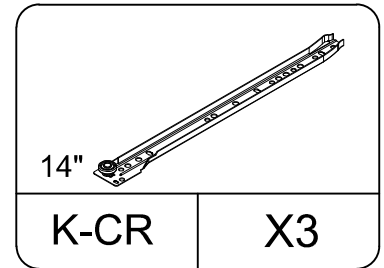
(J) X4

PLATE



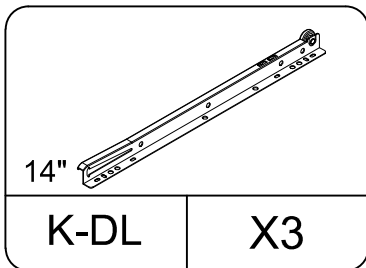
K-CL X3

LEFT CABINET MEMBER



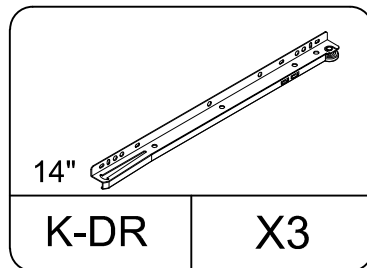
K-CR X3

RIGHT CABINET MEMBER



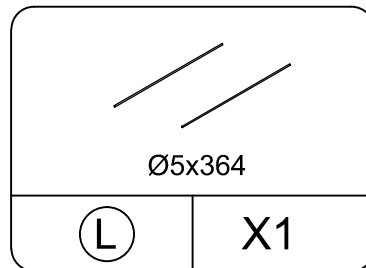
K-DL X3

LEFT DRAWER RUNNER

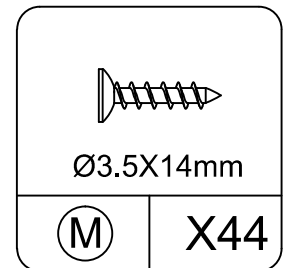


K-DR X3

RIGHT DRAWER RUNNER



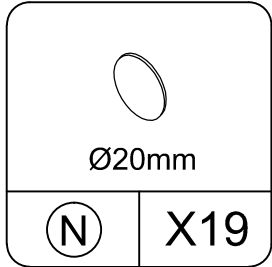
(L) X1



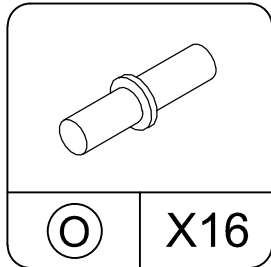
(M) X44

SCREW
spare: 4

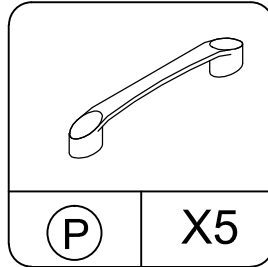
Part List



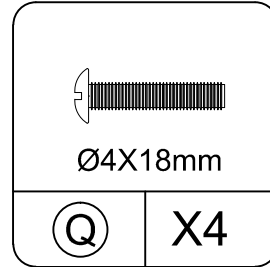
SCAM LOCK COVER



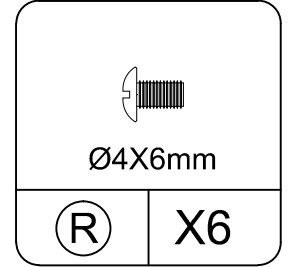
SHEIF SUPPORT



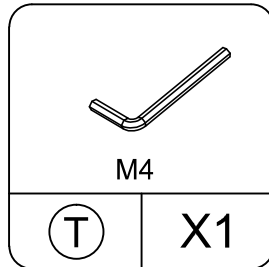
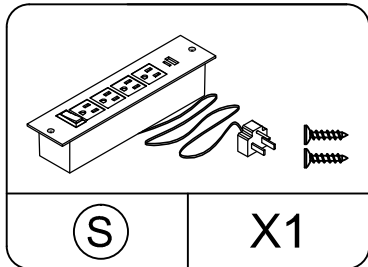
HANDLE



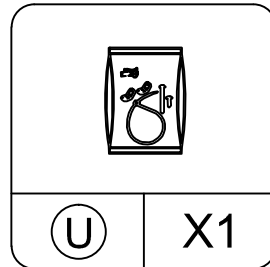
SCREW
spare: 1



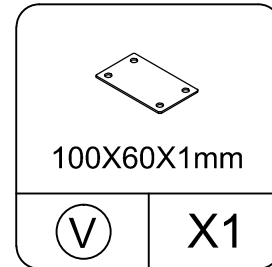
SCREW
spare: 1



HEX KEY

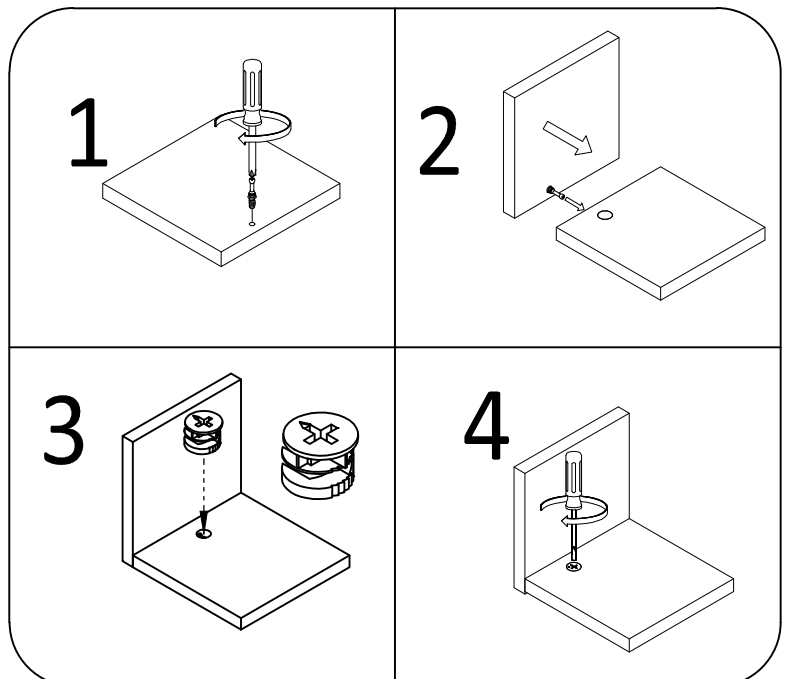


TIPPING RESTRAINT
HARDWARE KIT

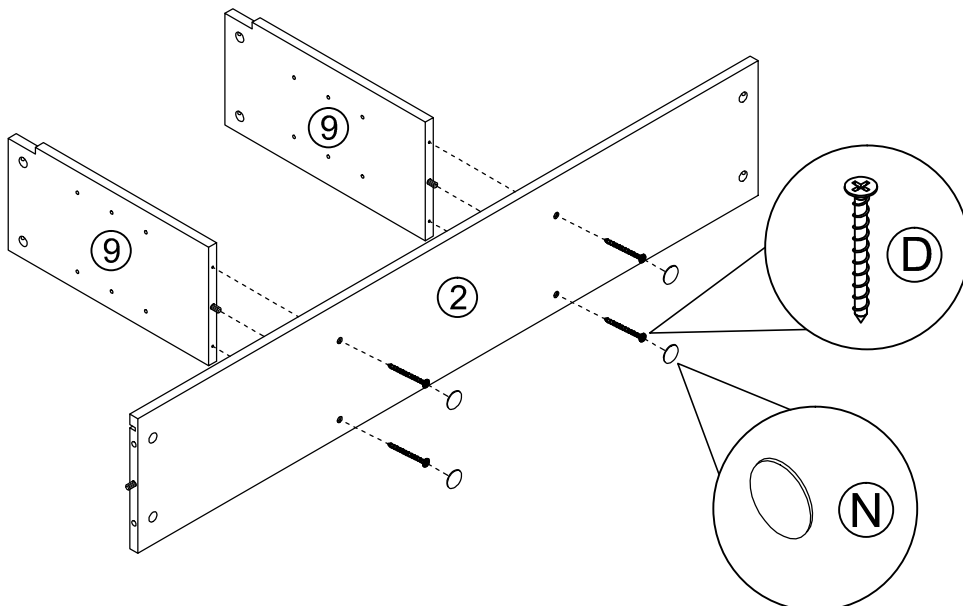
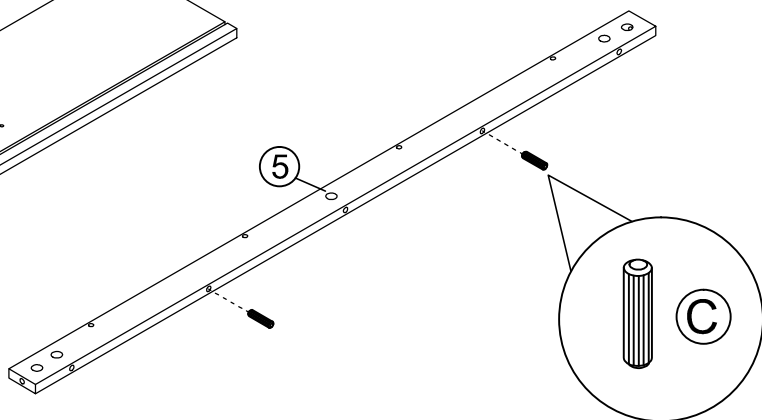
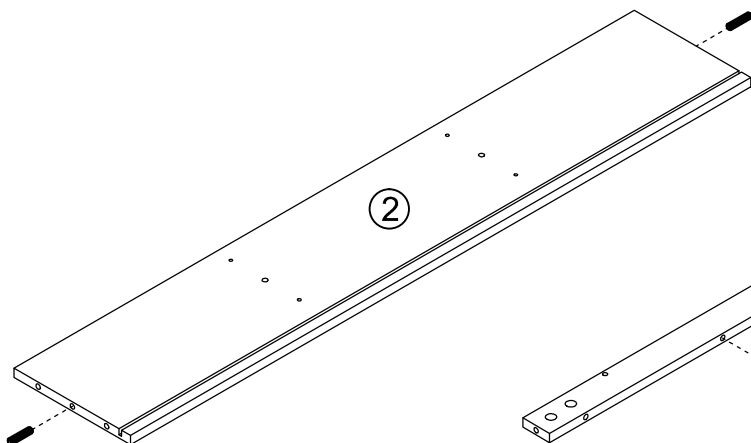
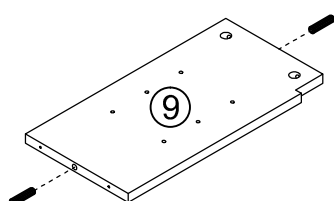
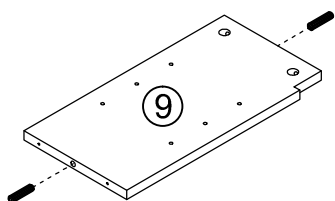
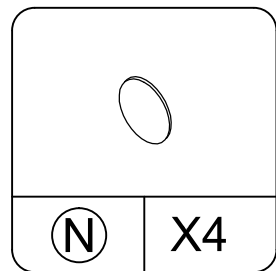
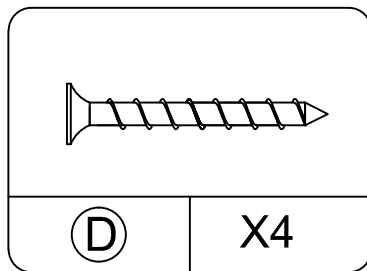
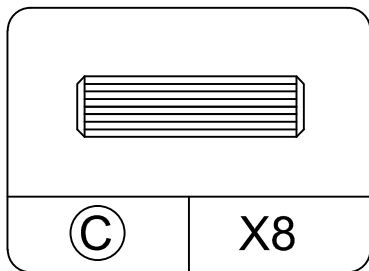
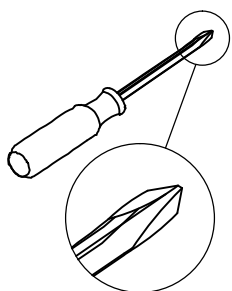


Cam Lock Fastening System

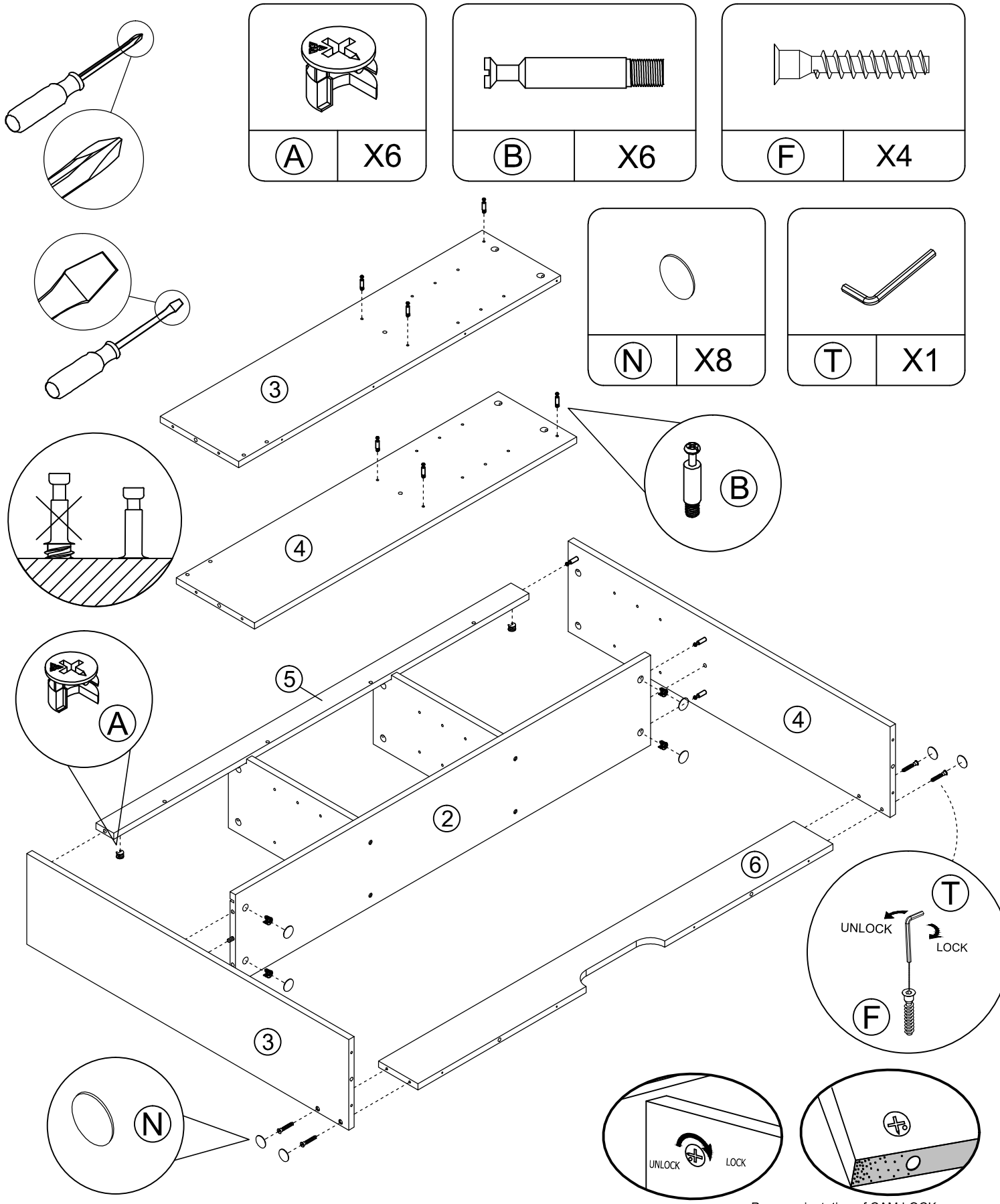
Insert the cam bolt into the hole first, then insert the cam lock and lock it.



STEP1

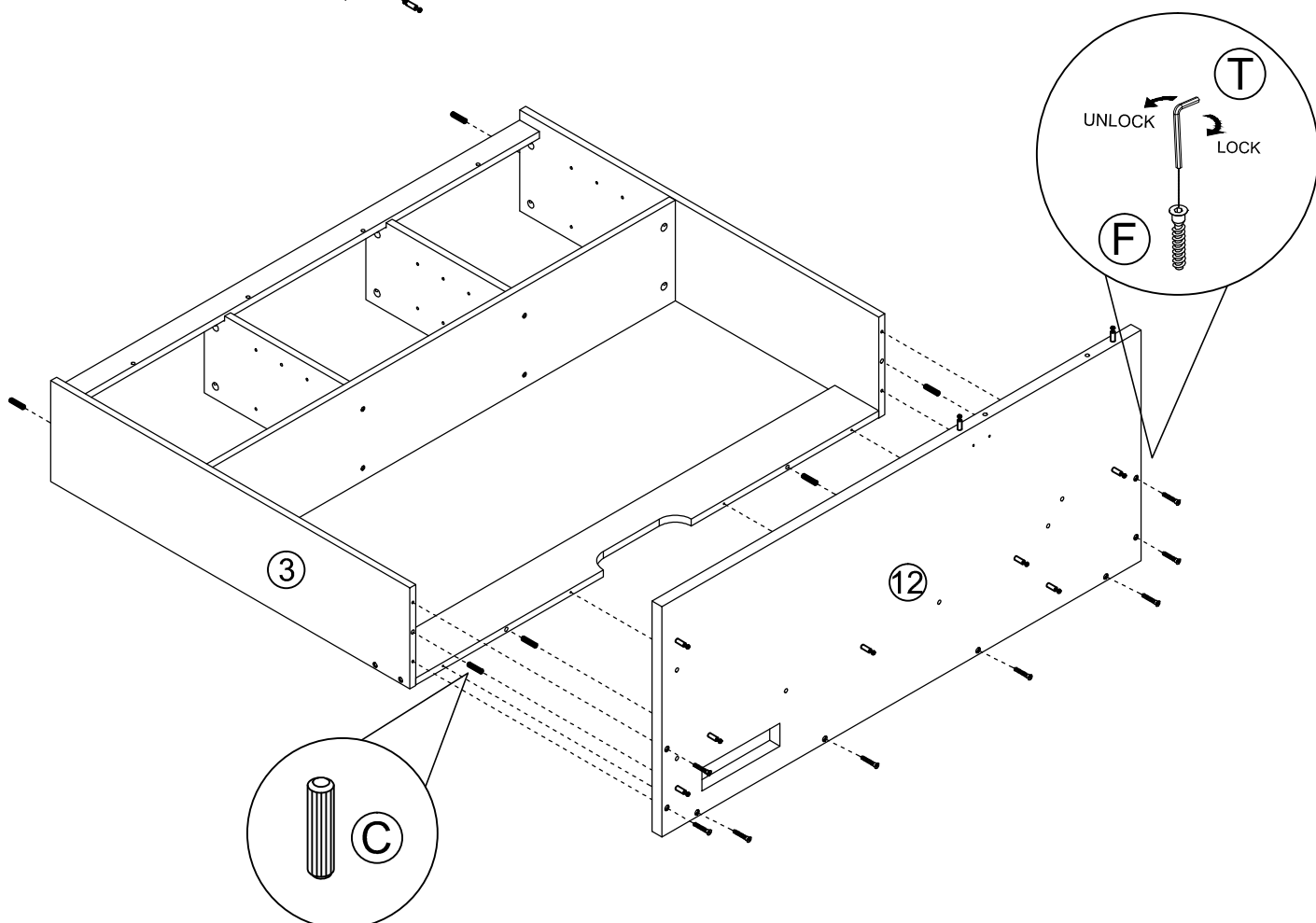
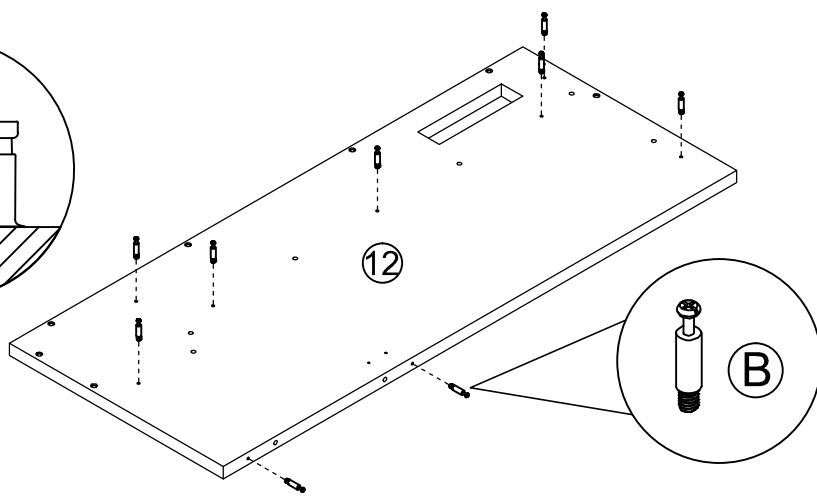
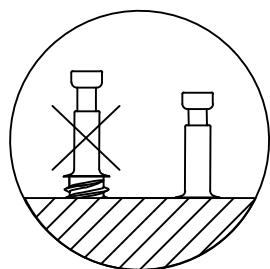
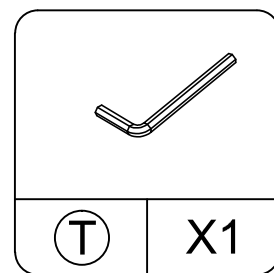
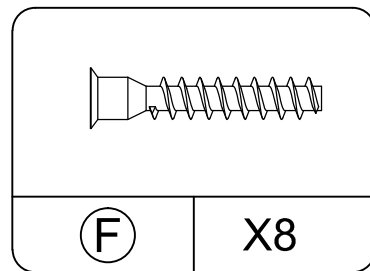
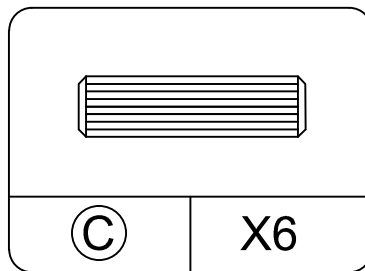
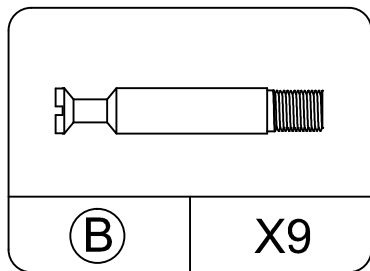
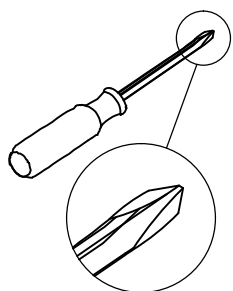


STEP 2

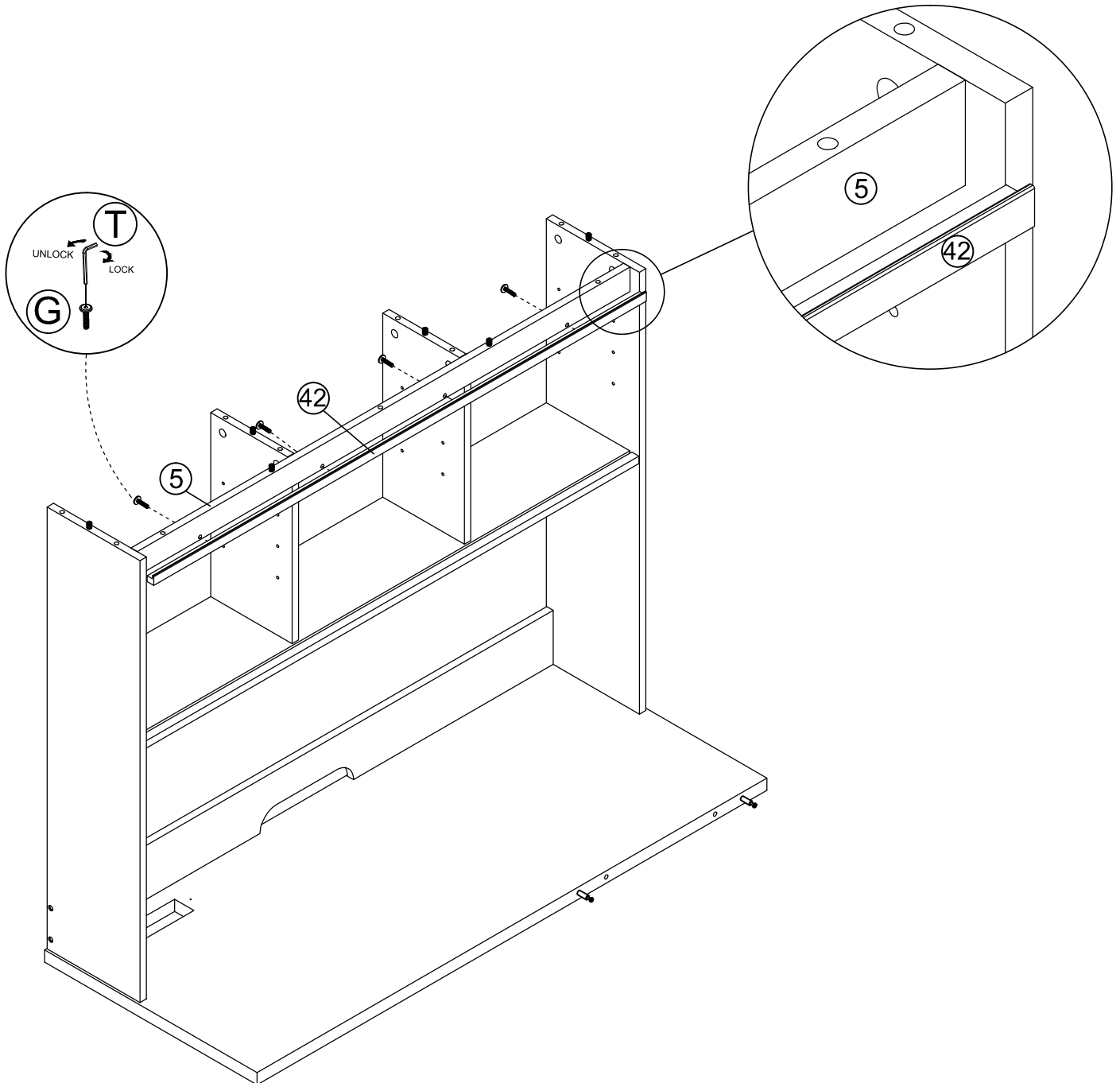
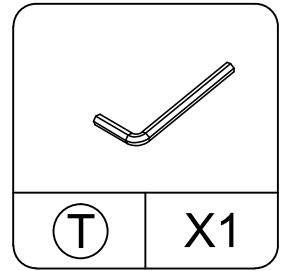
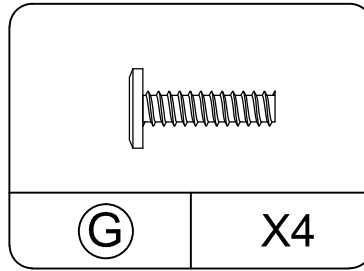


Proper orientation of CAM LOCK

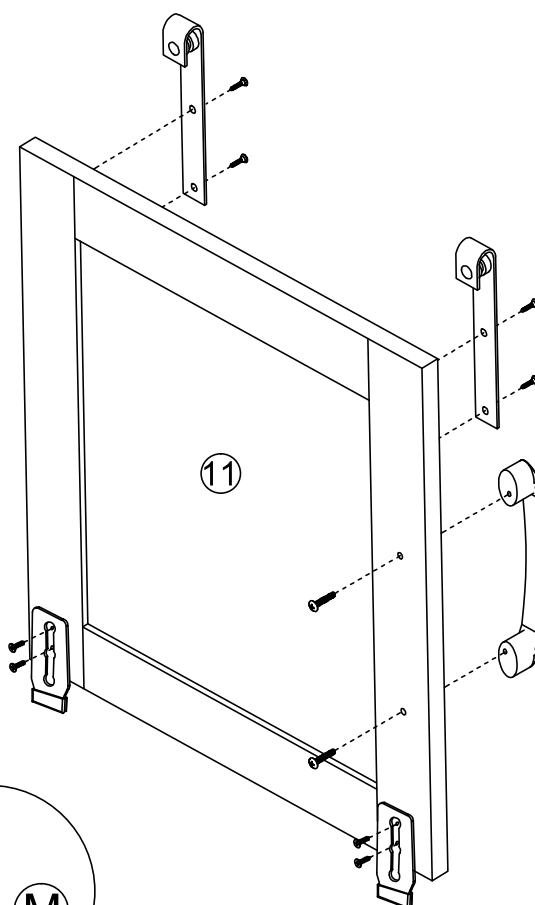
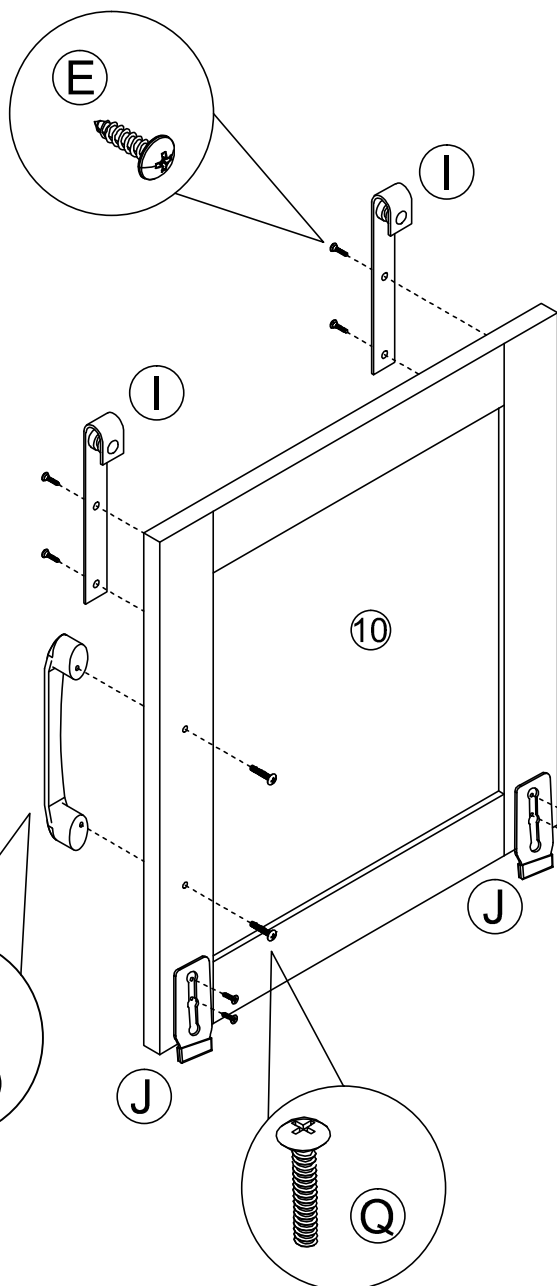
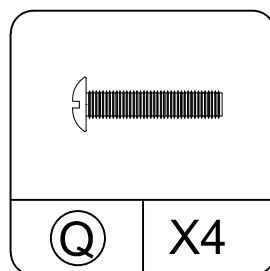
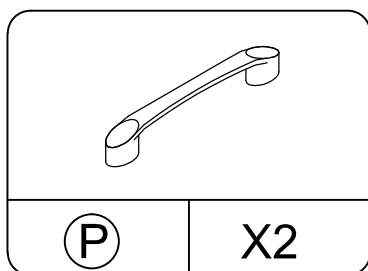
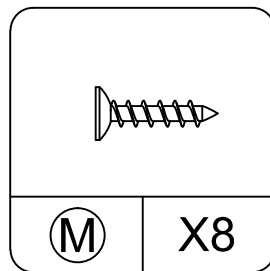
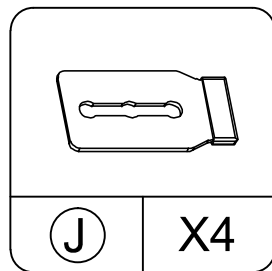
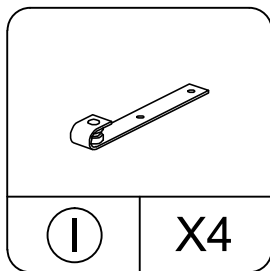
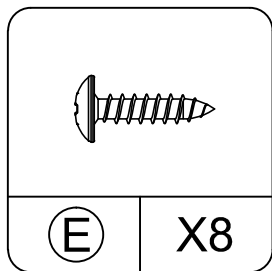
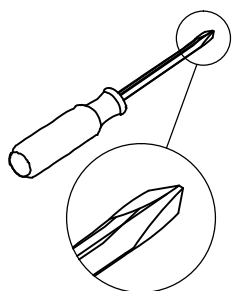
STEP 3



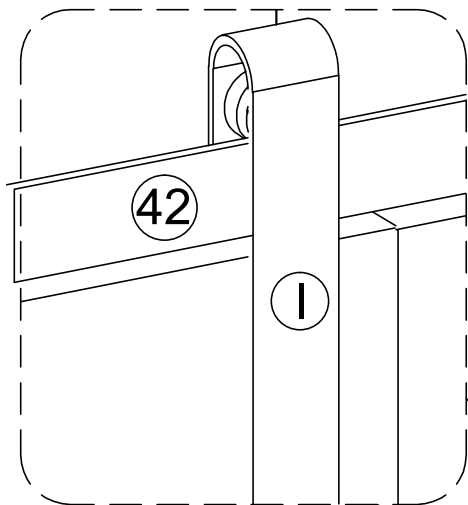
STEP4



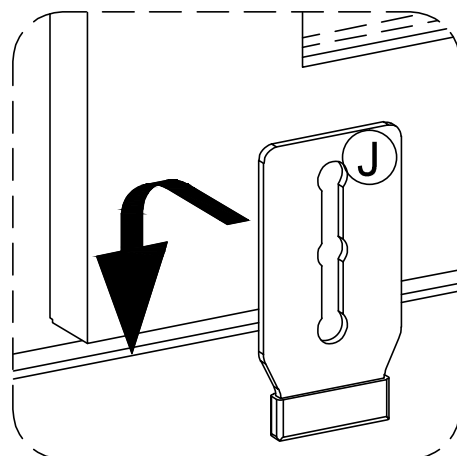
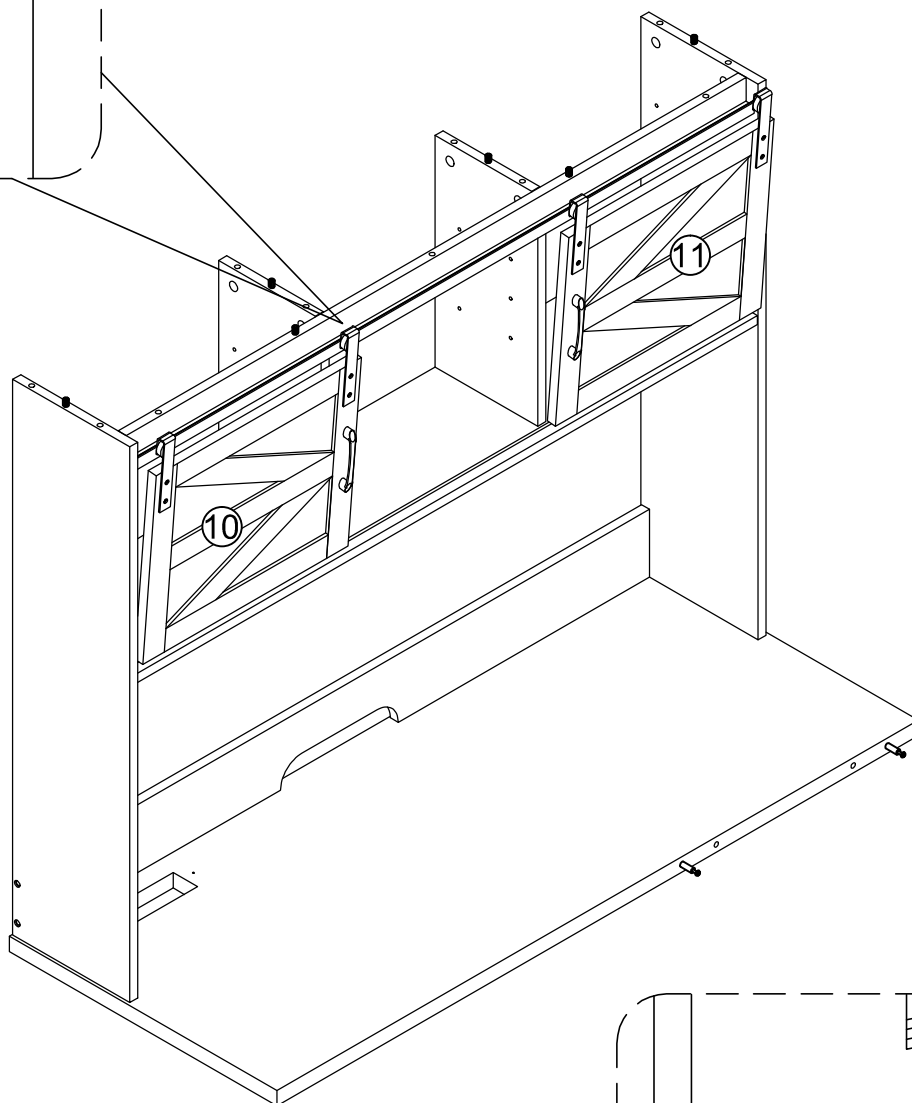
STEP 5



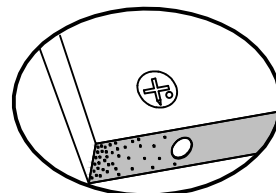
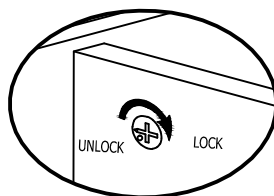
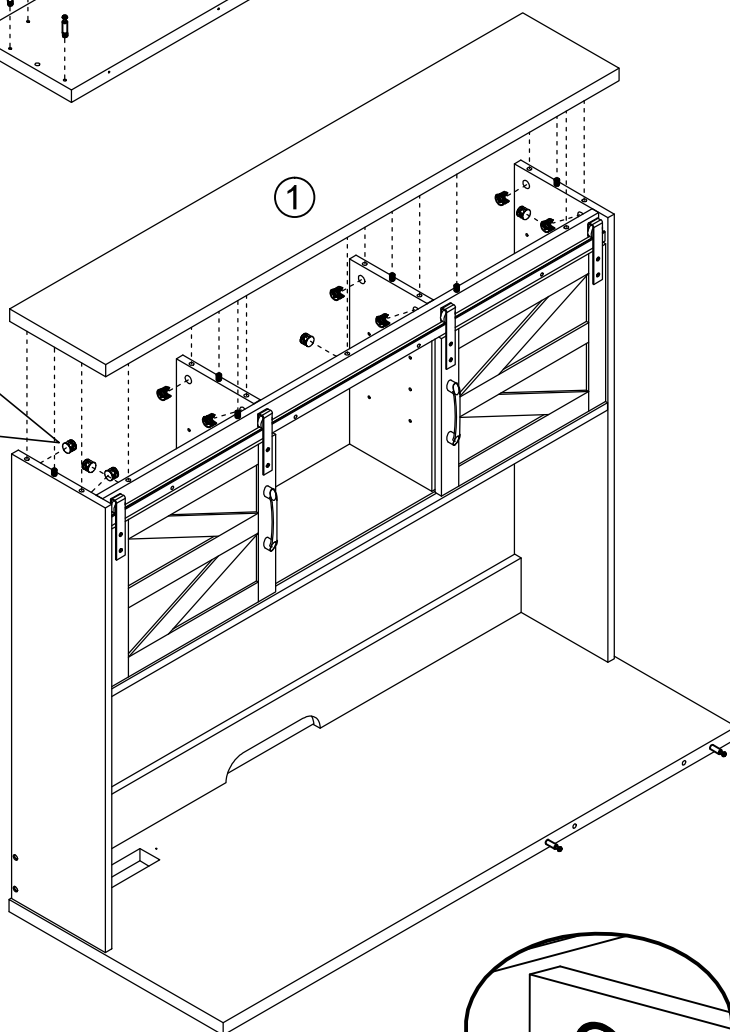
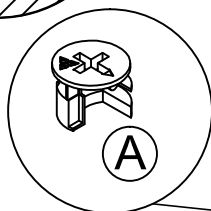
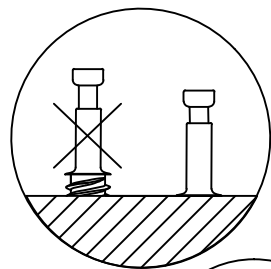
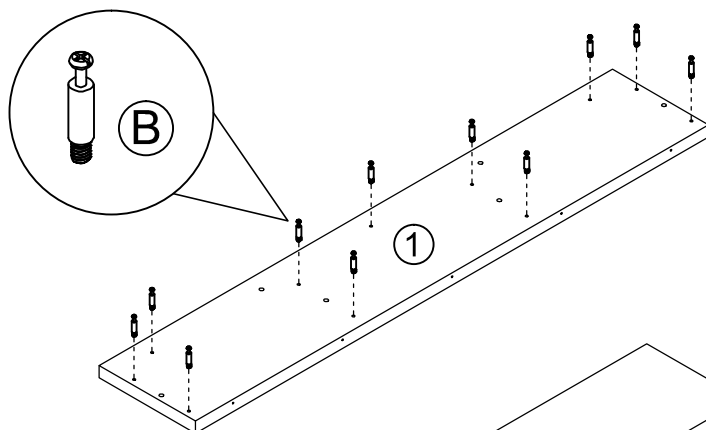
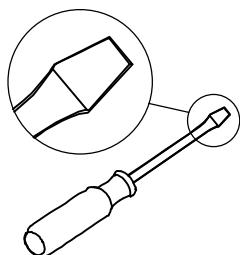
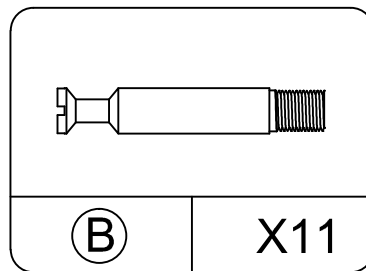
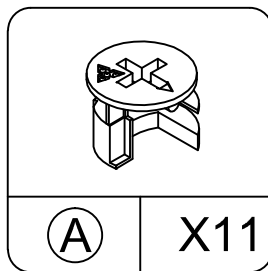
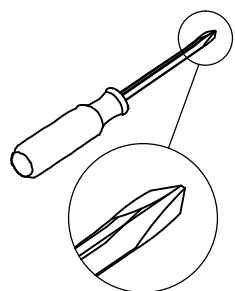
STEP6



Part ① shall be hung on part ④② .
Part ④ shall be inserted into the groove.

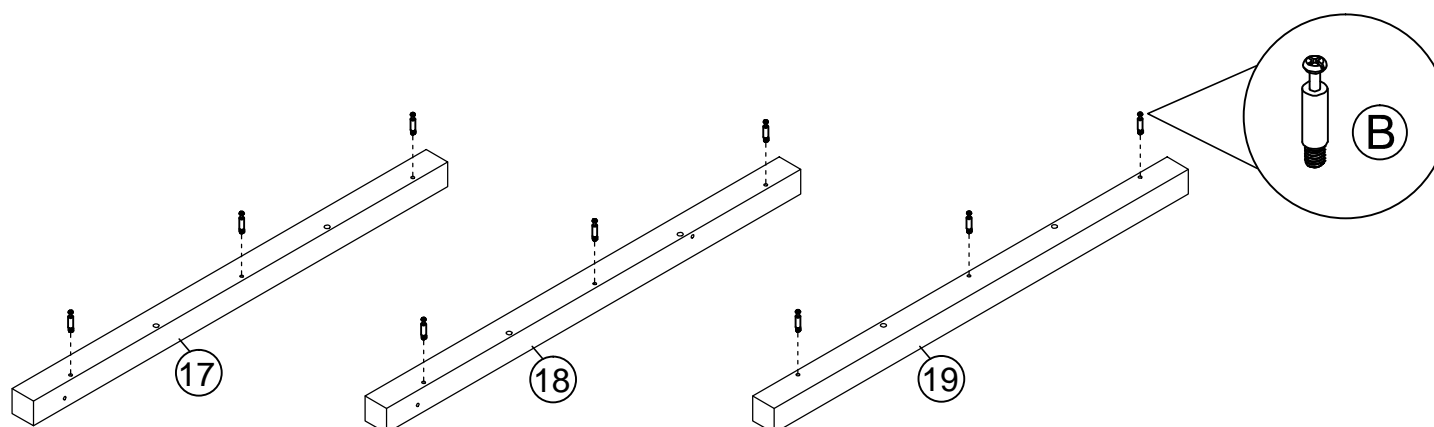
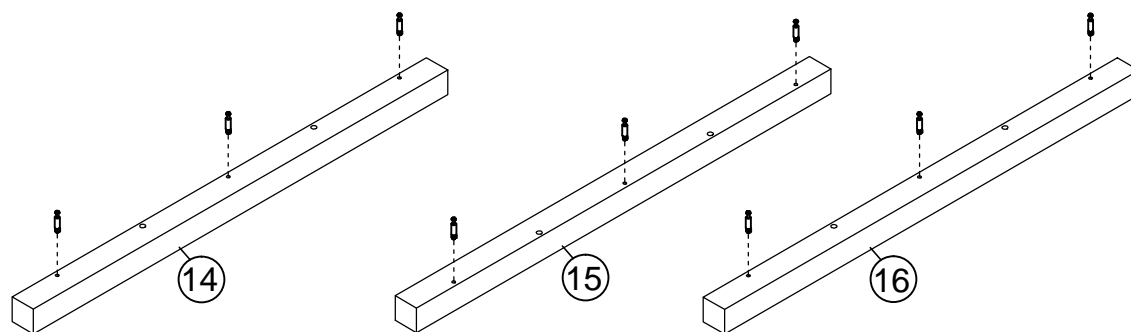
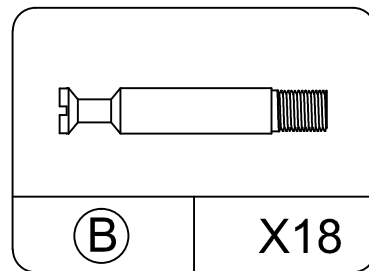
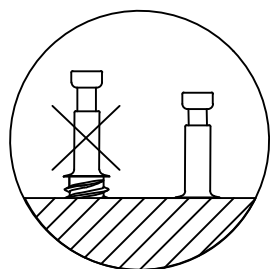
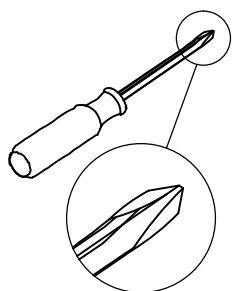


STEP 7

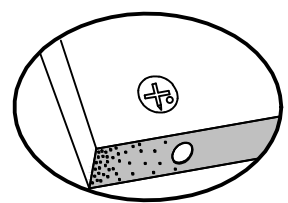
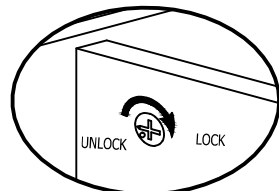
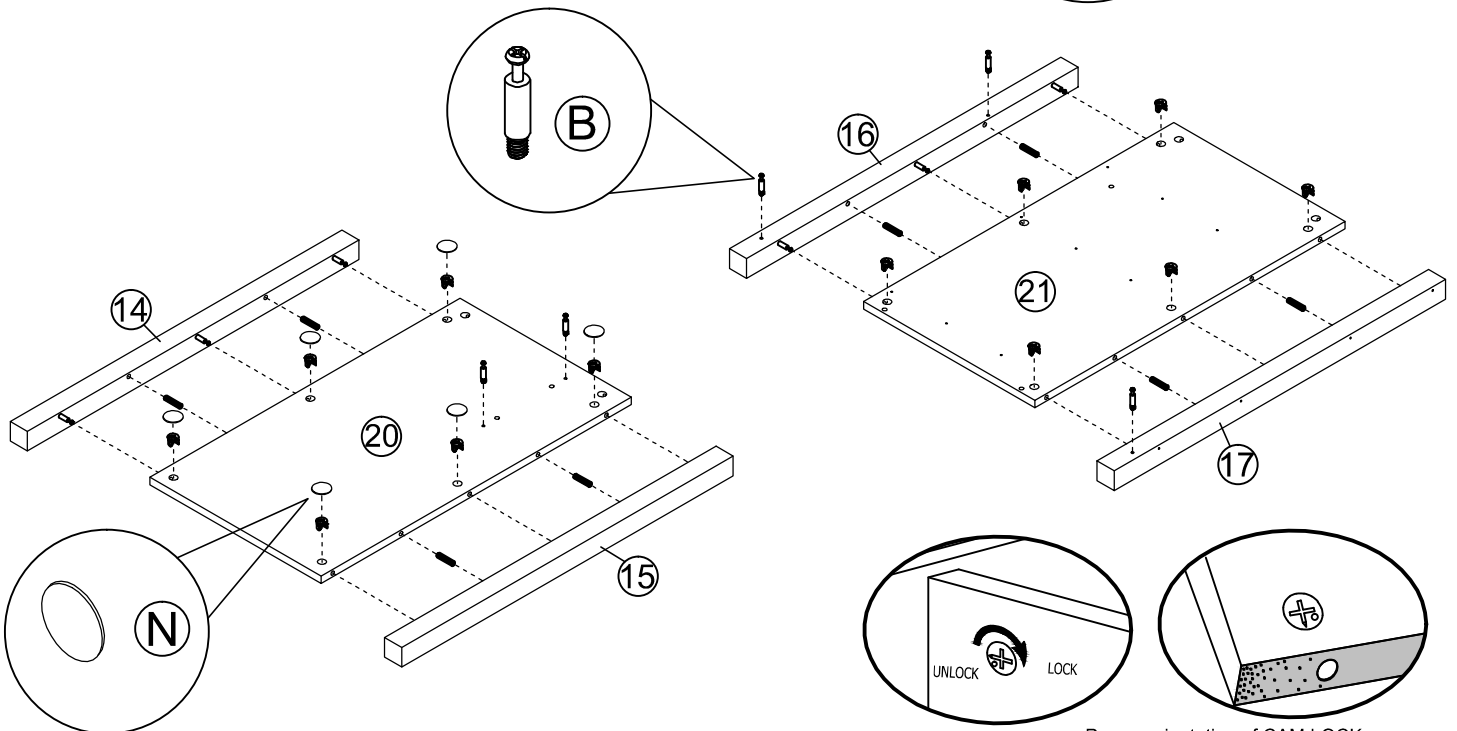
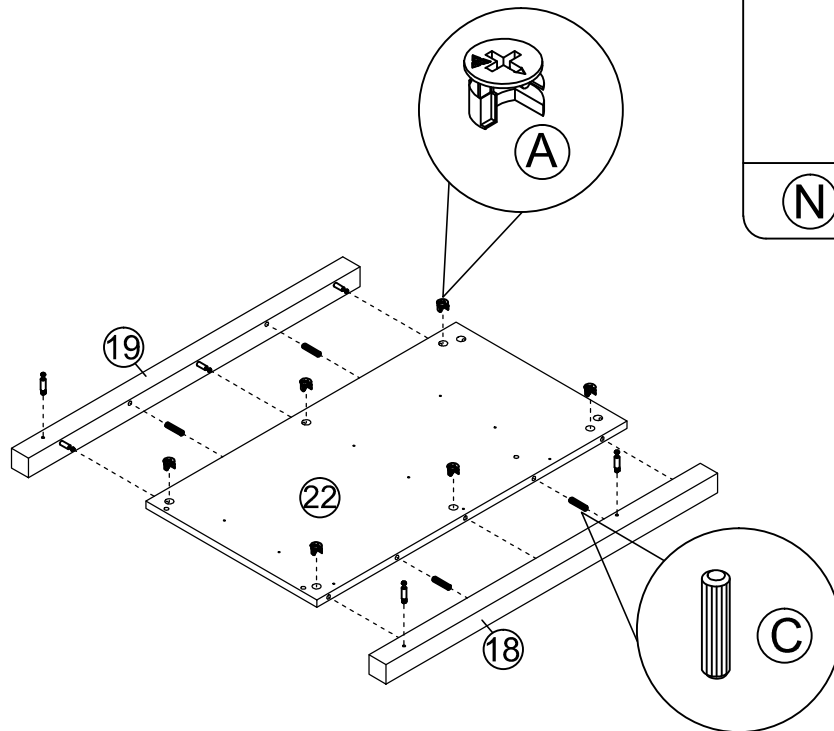
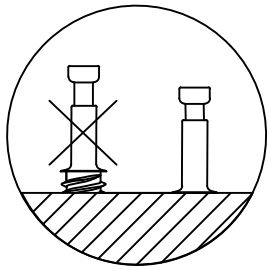
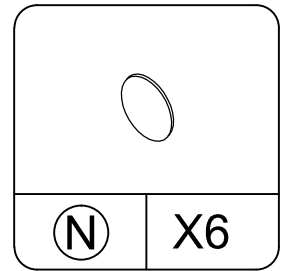
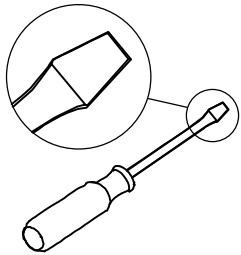
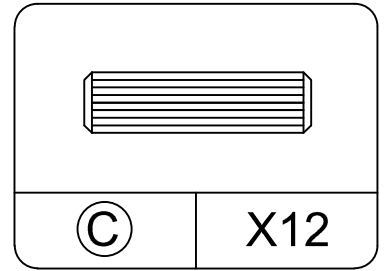
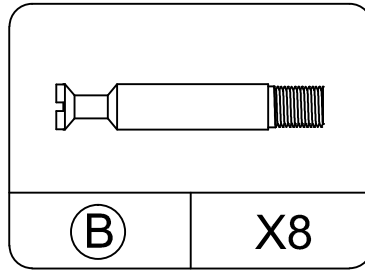
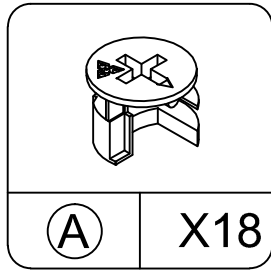
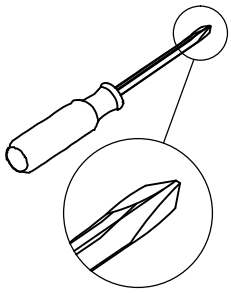


Proper orientation of CAM LOCK

STEP 8

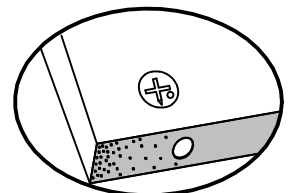
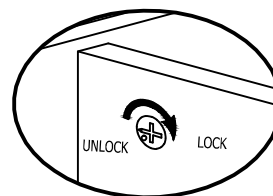
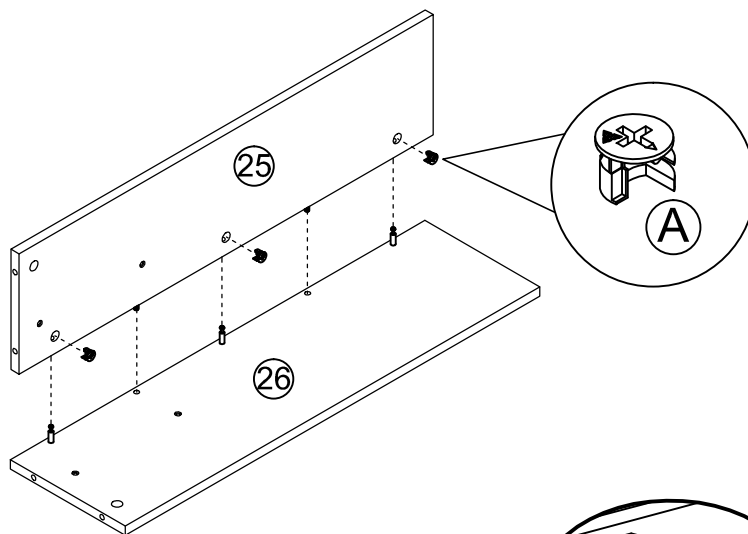
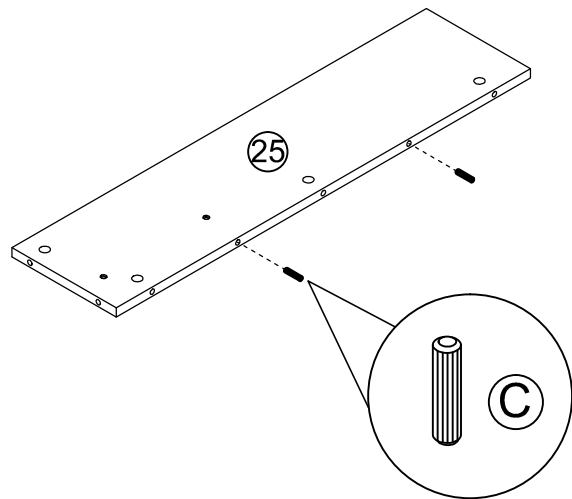
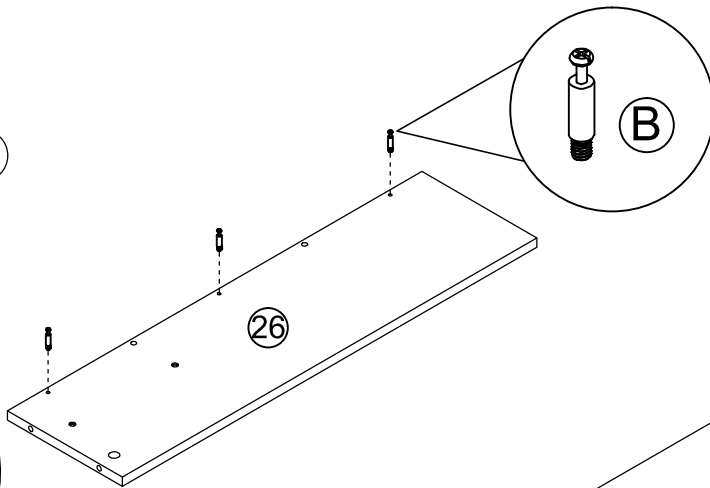
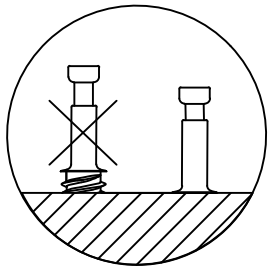
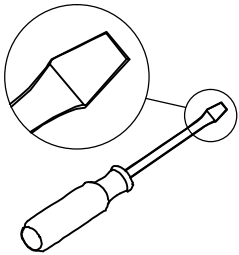
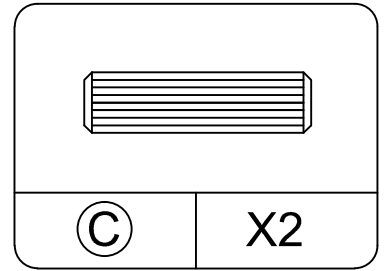
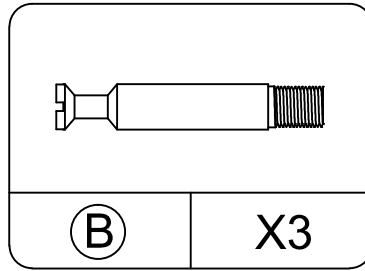
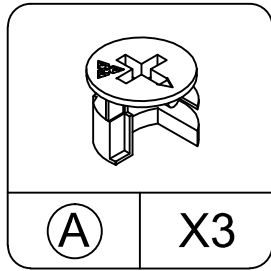
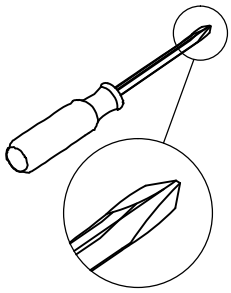


STEP 9



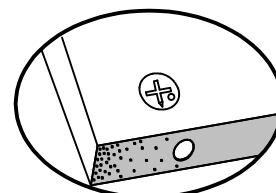
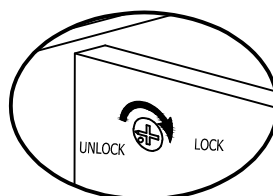
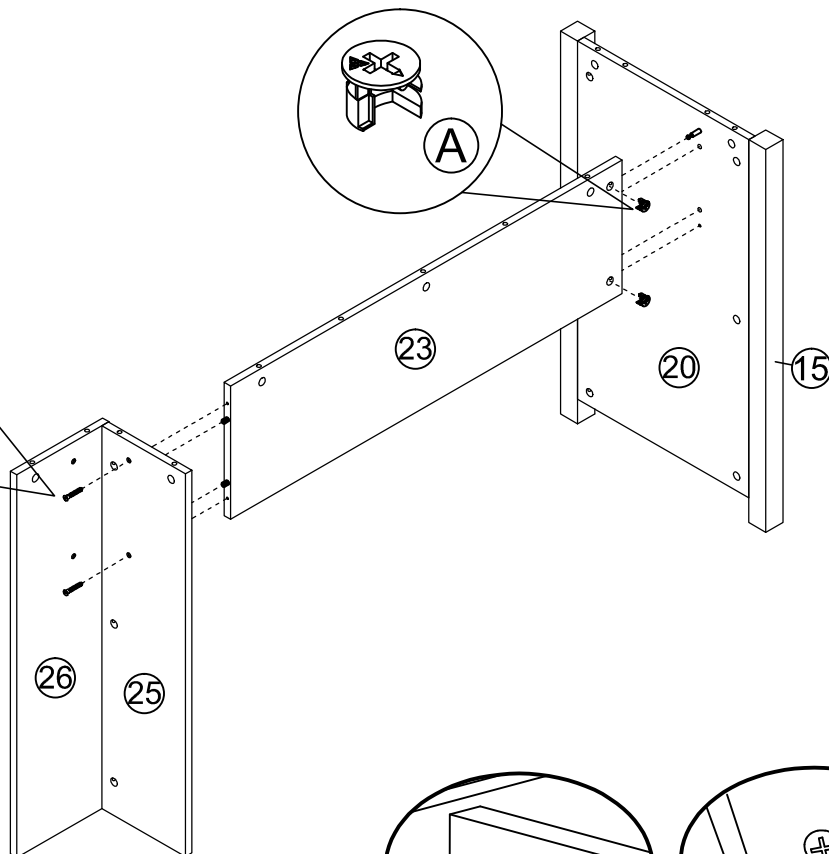
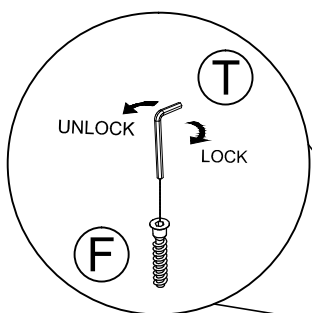
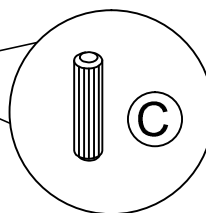
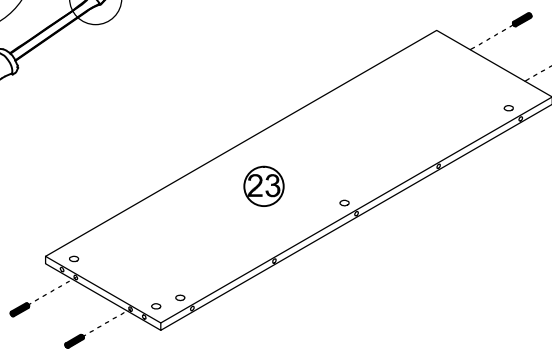
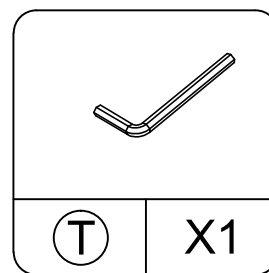
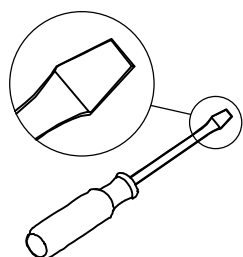
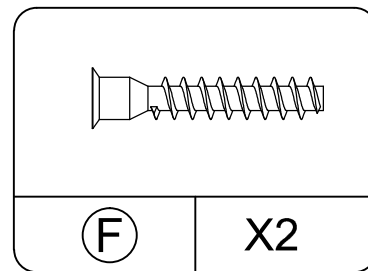
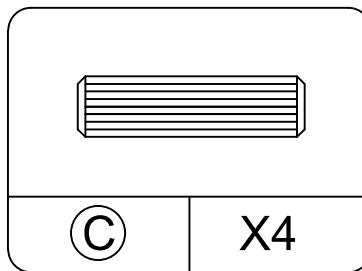
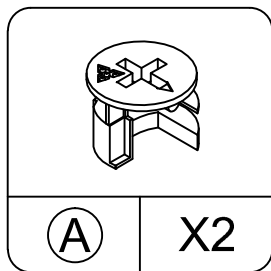
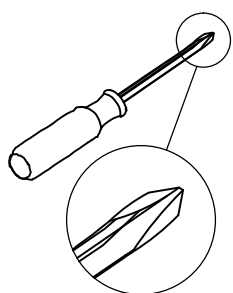
Proper orientation of CAM LOCK

STEP10



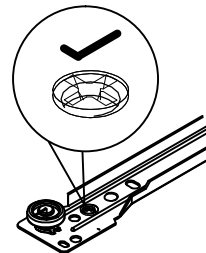
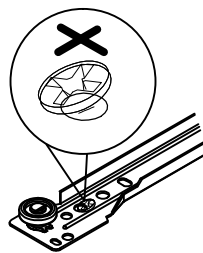
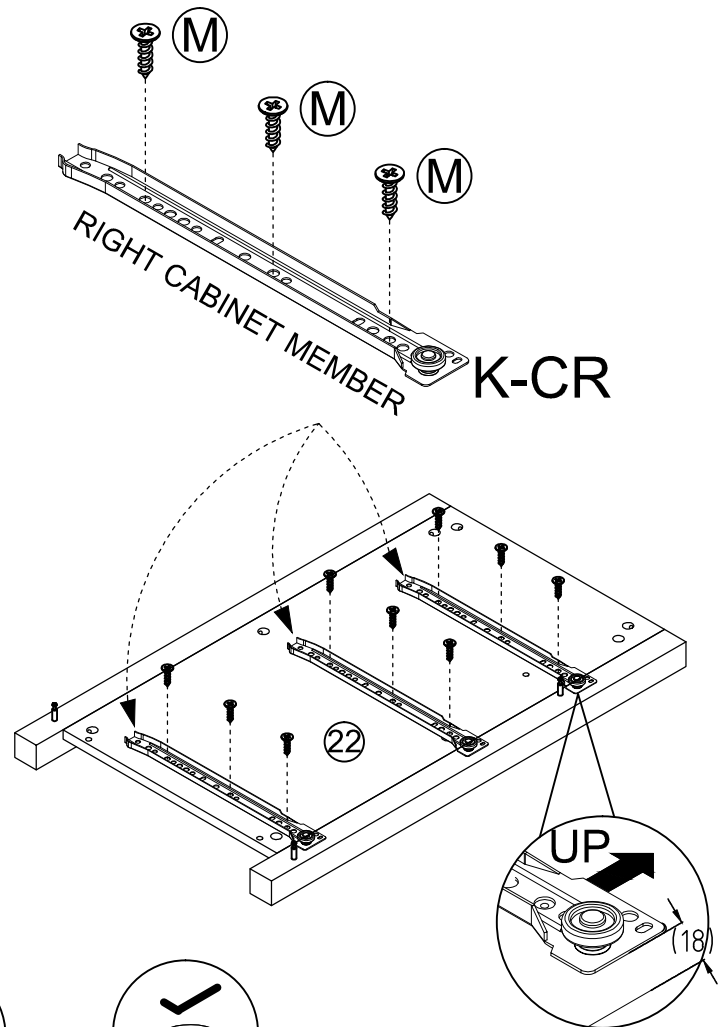
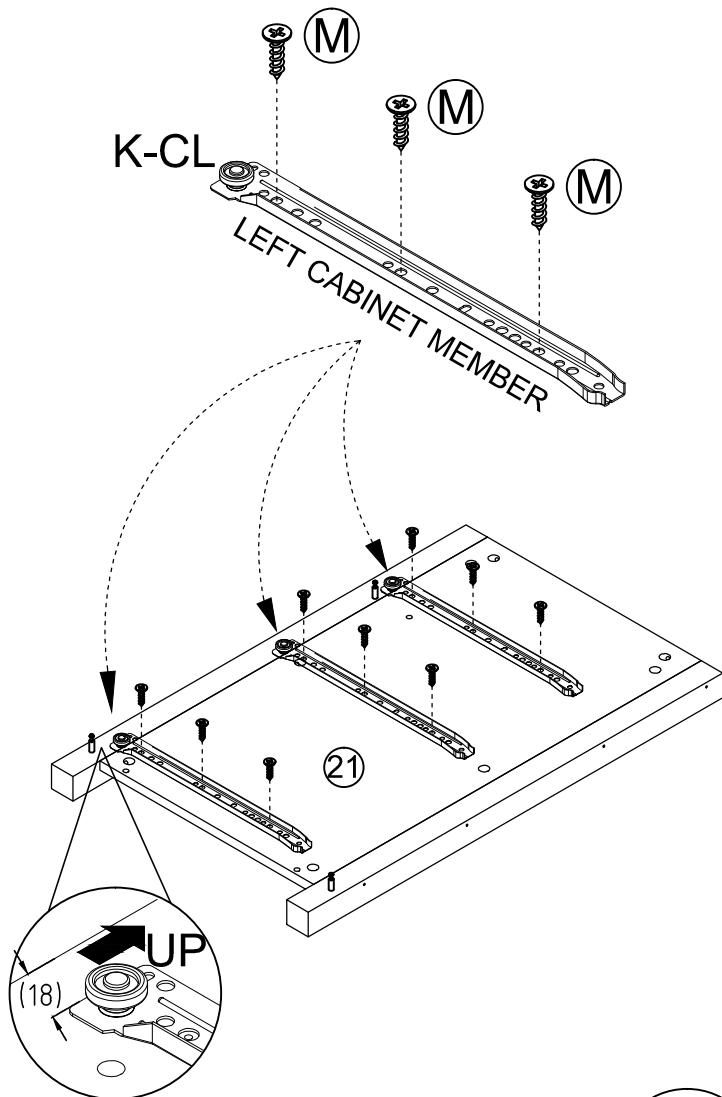
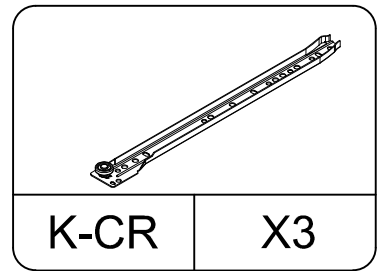
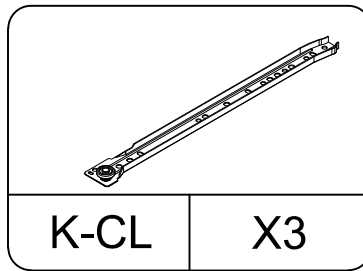
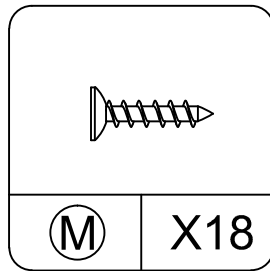
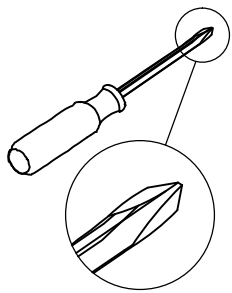
Proper orientation of CAM LOCK

STEP 11



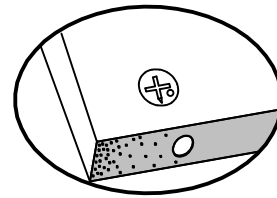
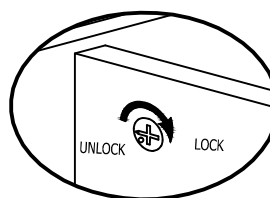
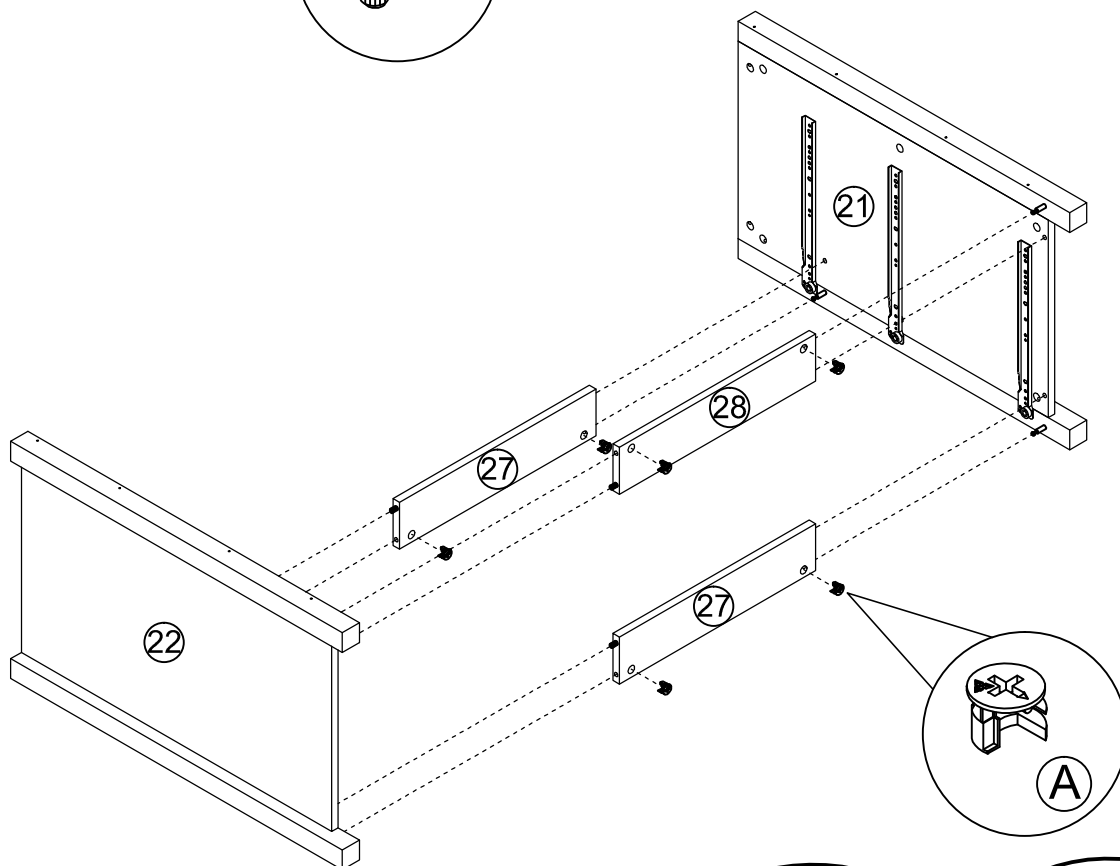
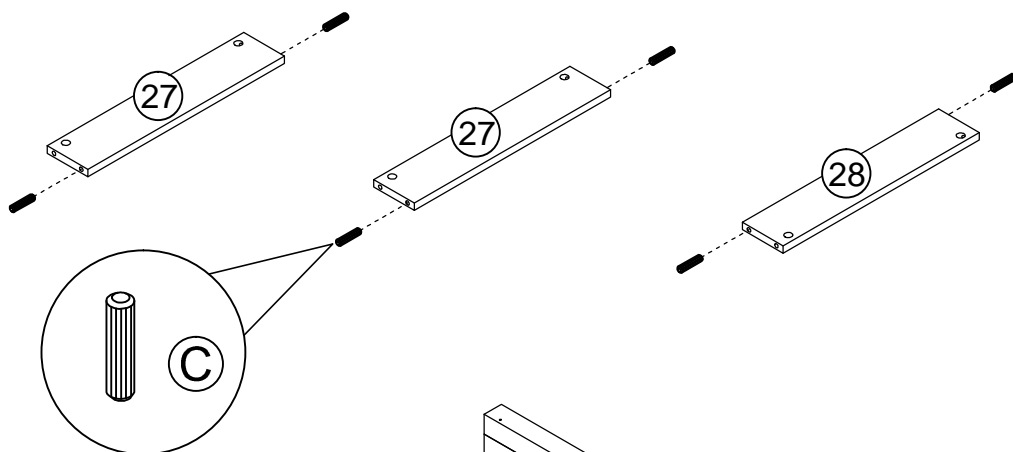
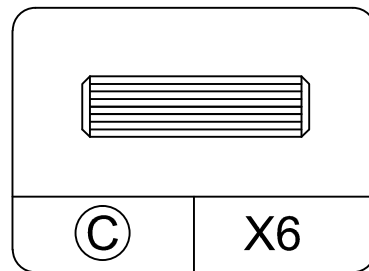
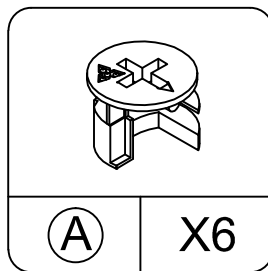
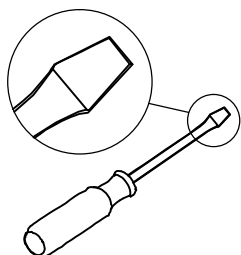
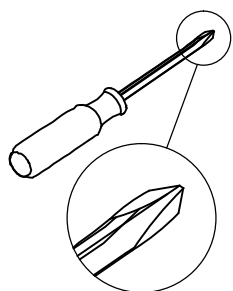
Proper orientation of CAM LOCK

STEP13



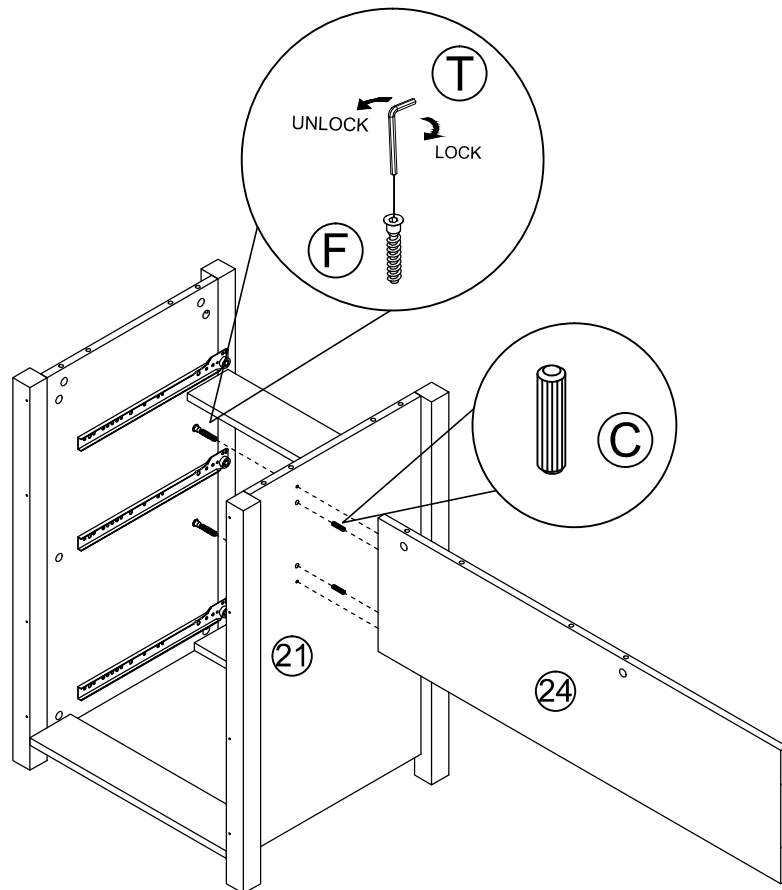
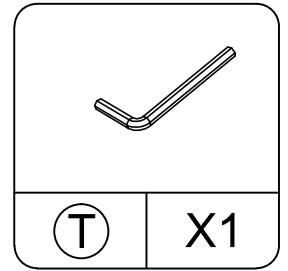
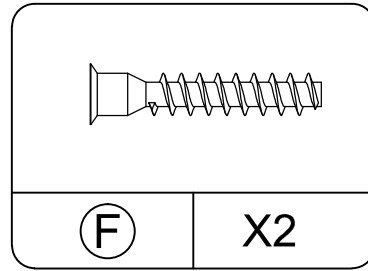
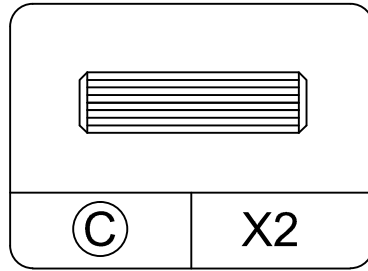
Please make sure that the screw is VERTICAL so as not to affect the sliding of the drawer.

STEP14

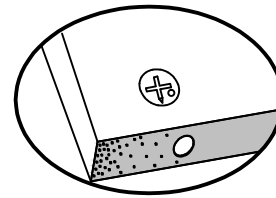
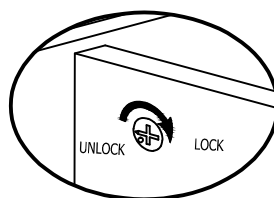
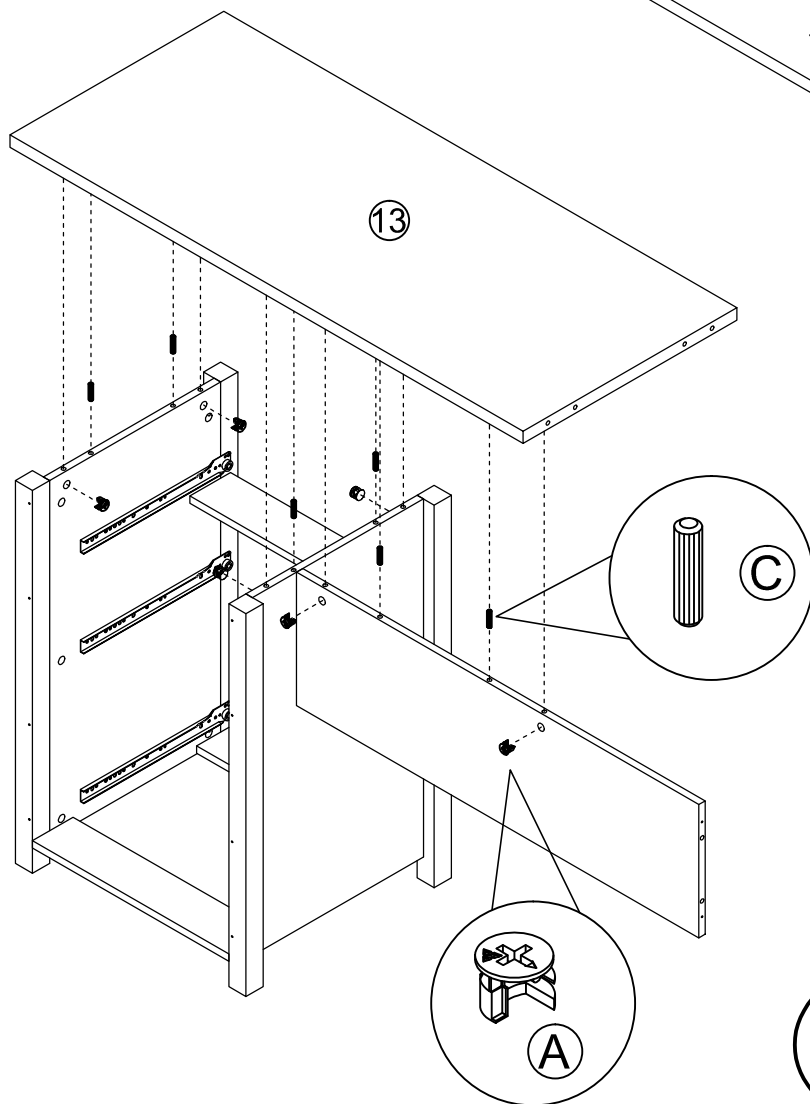
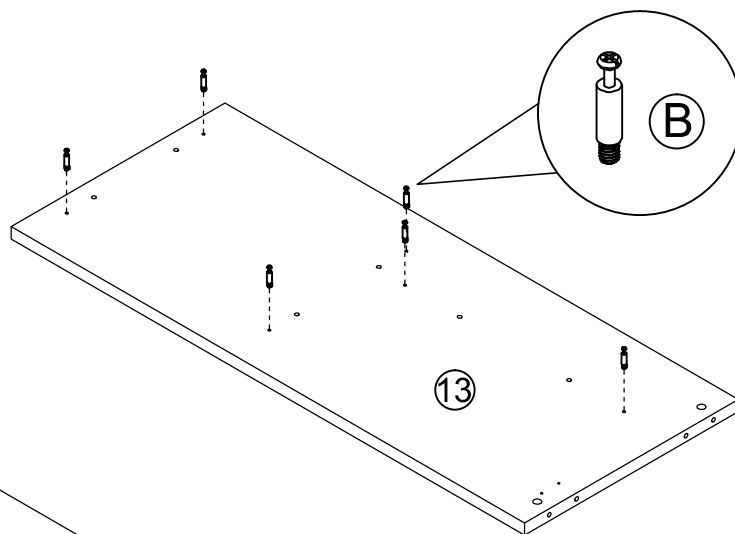
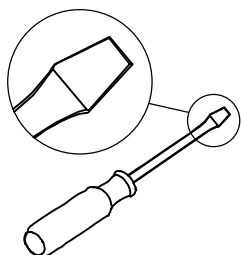
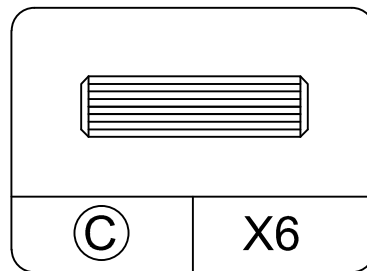
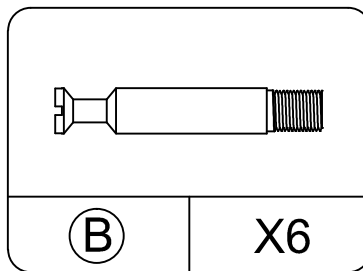
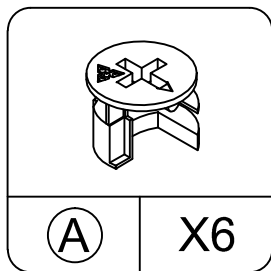
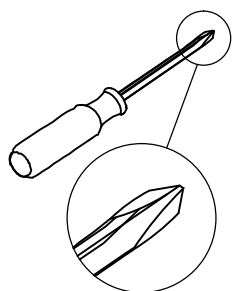


Proper orientation of CAM LOCK

STEP15

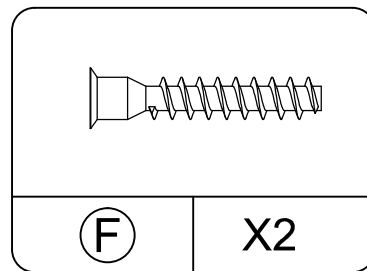
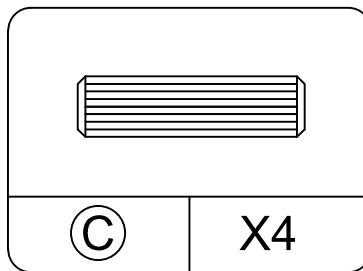
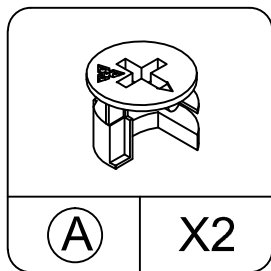
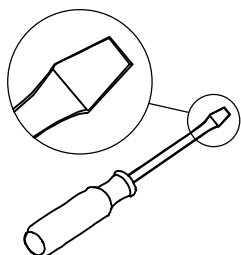
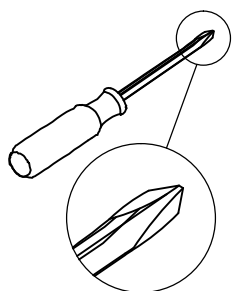


STEP 16

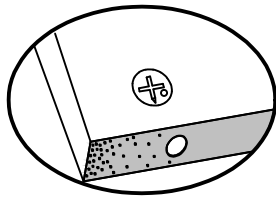
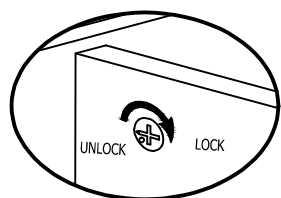
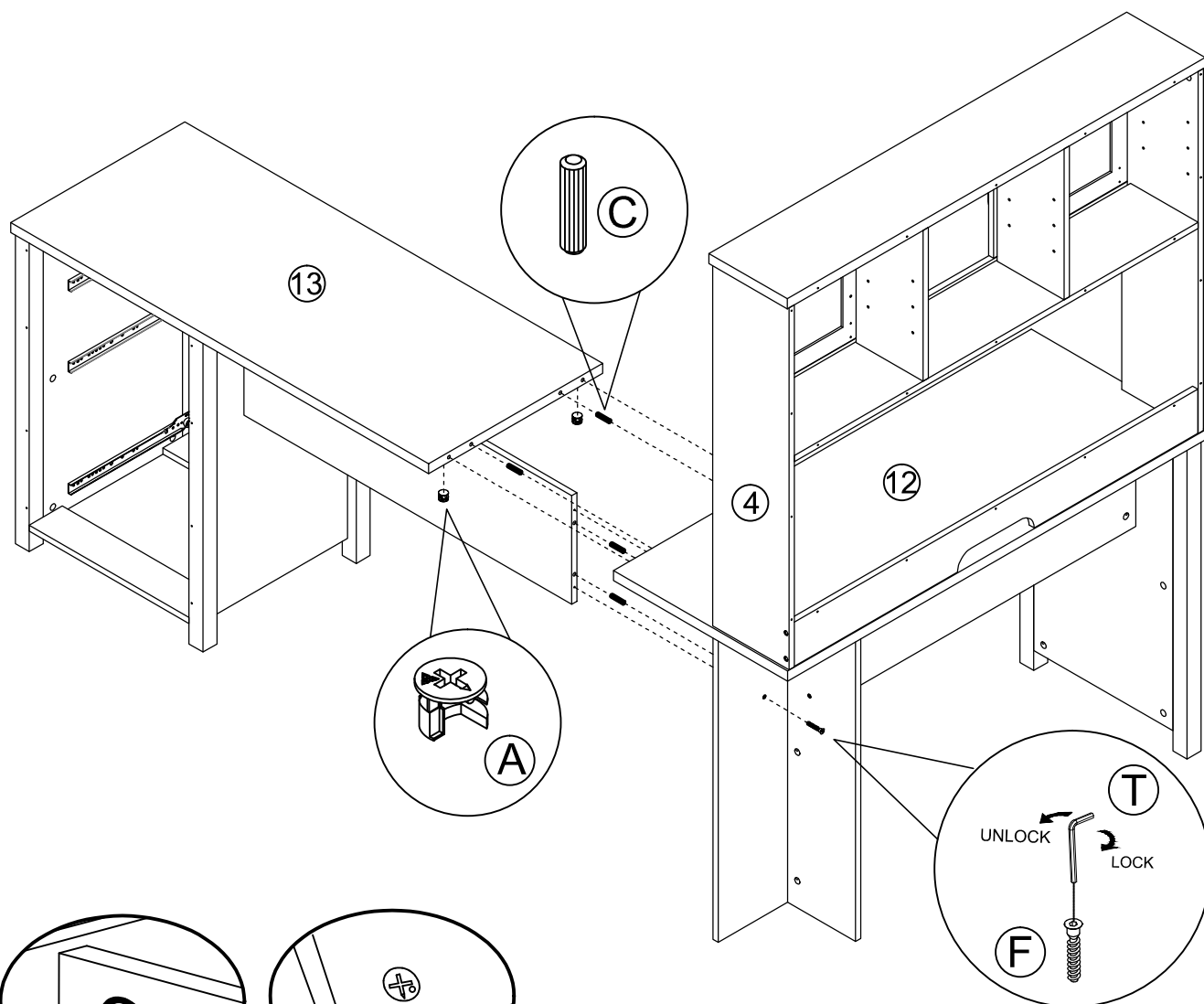
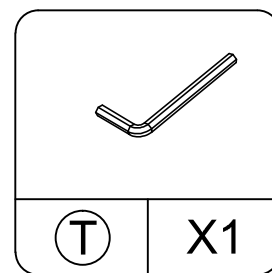


Proper orientation of CAM LOCK

STEP 17

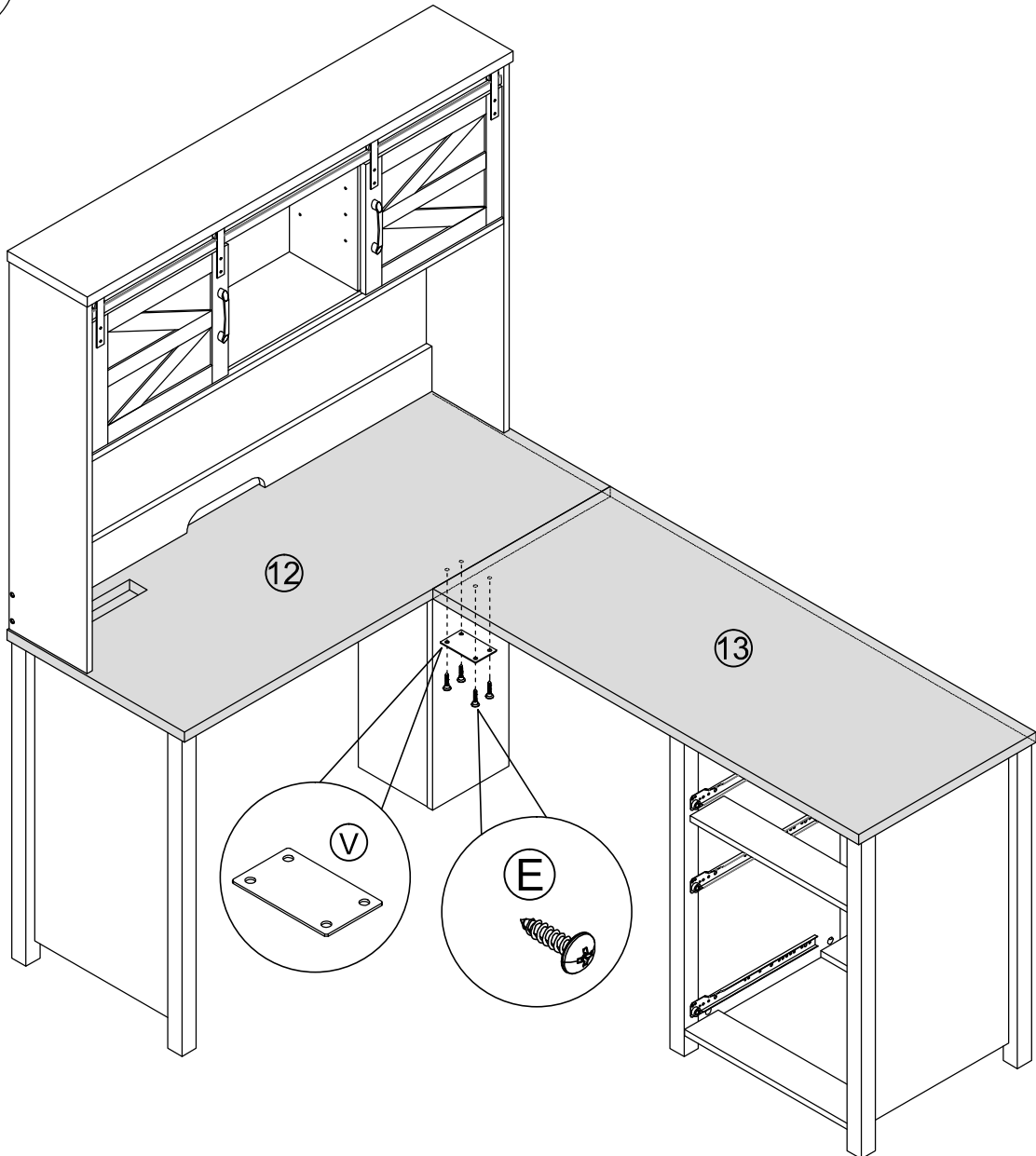
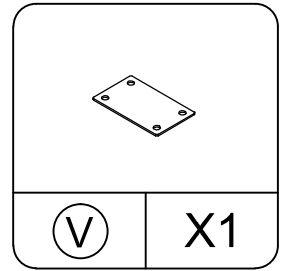
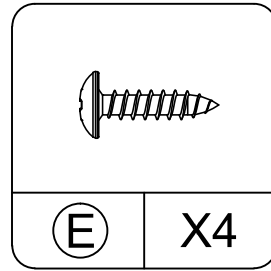
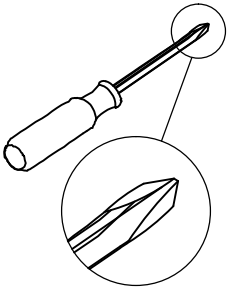


THIS STEP REQUIRES 2 PEOPLE

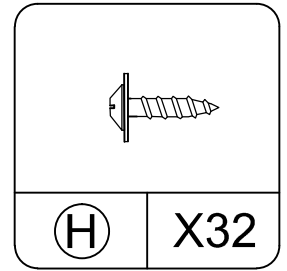
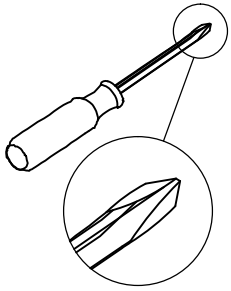


Proper orientation of CAM LOCK

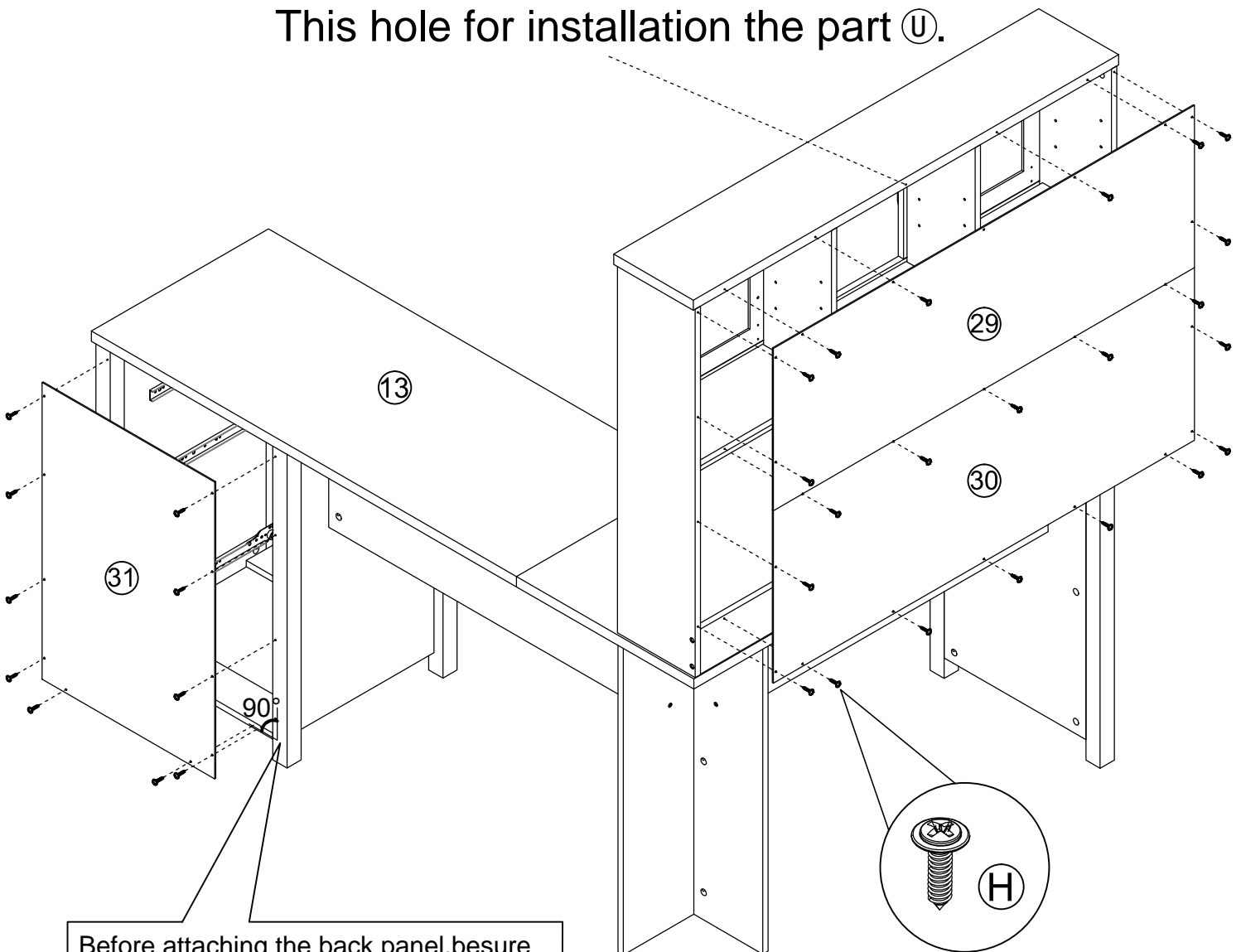
STEP18



STEP19

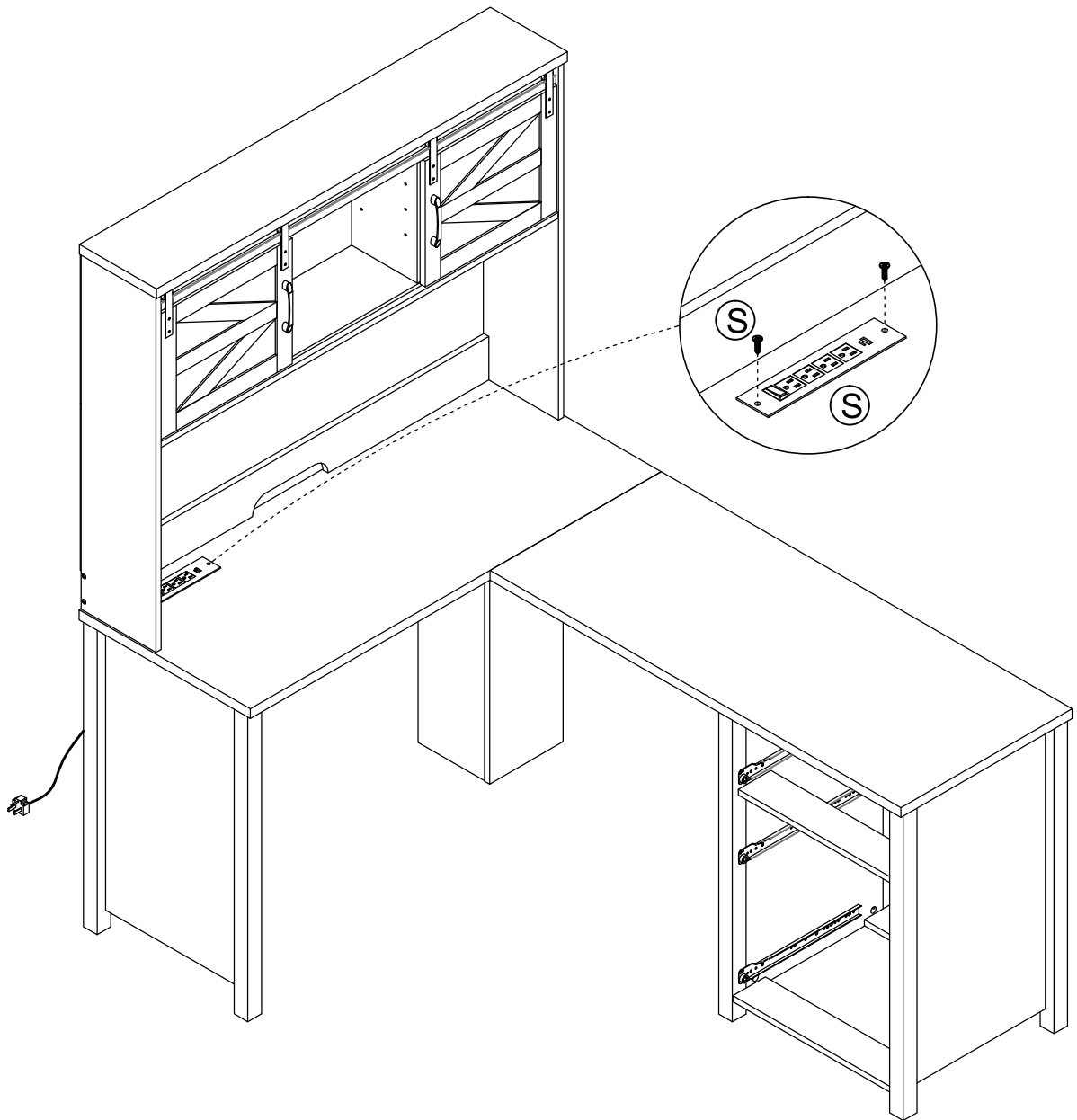
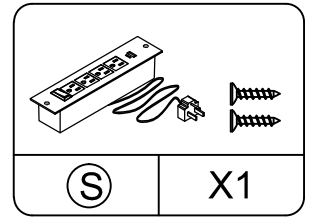
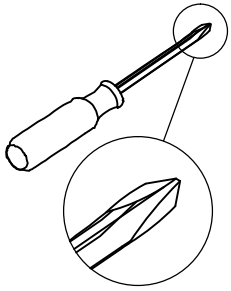


This hole for installation the part ①.



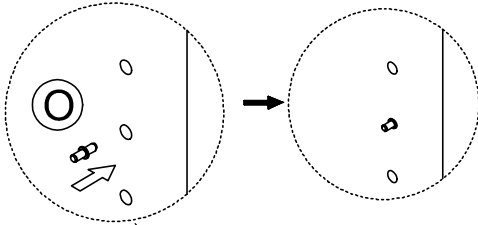
Before attaching the back panel, be sure that the unit is at 90°
Avant d'attacher le panneau arrière, assurez-vous que l'unité est à 90°
Antes de fijar el panel posterior, asegúrese de que la unidad esté a 90°

STEP20

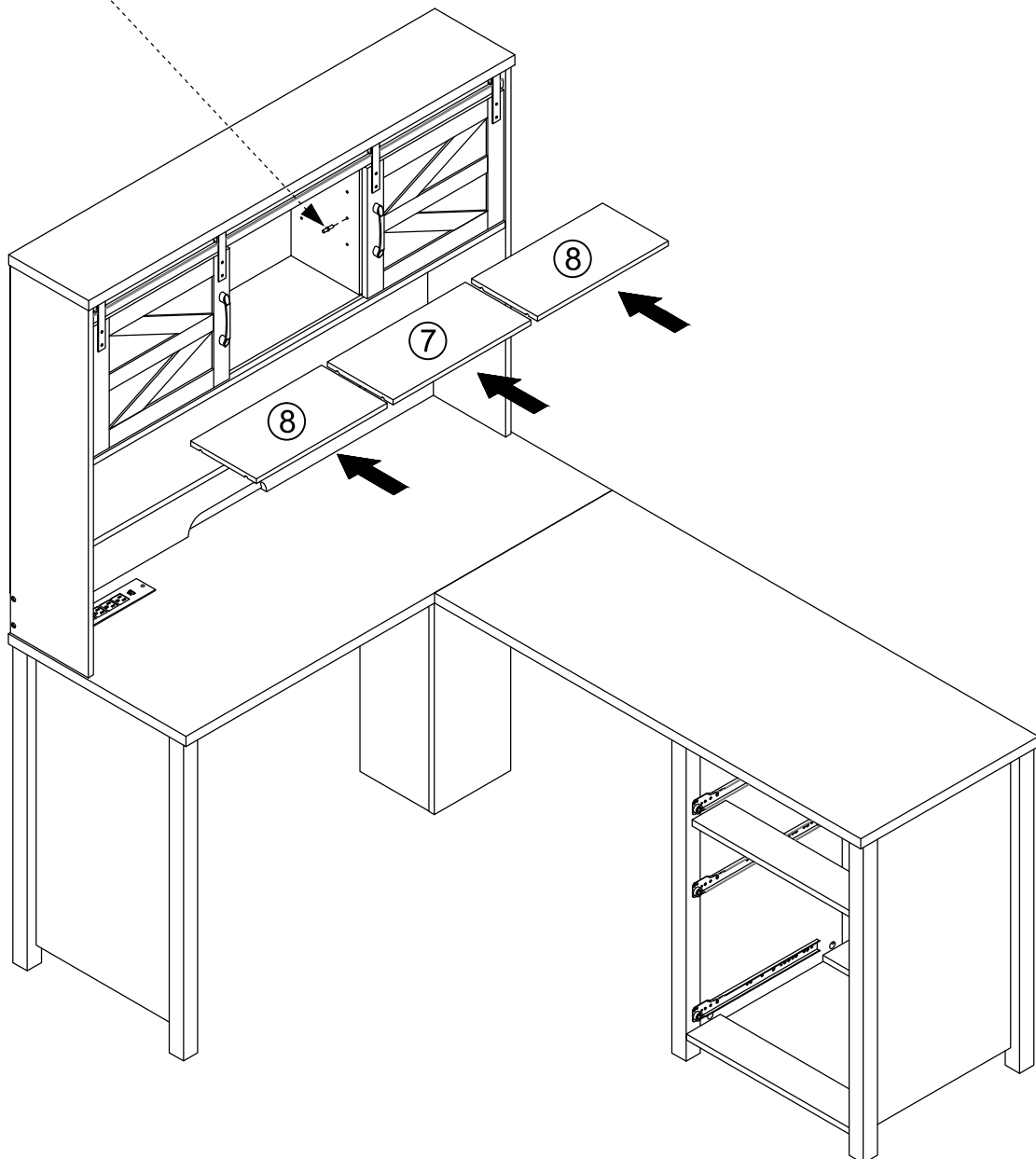
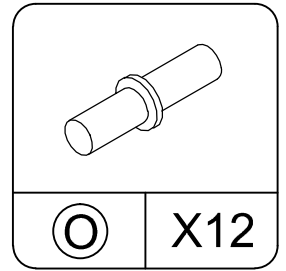
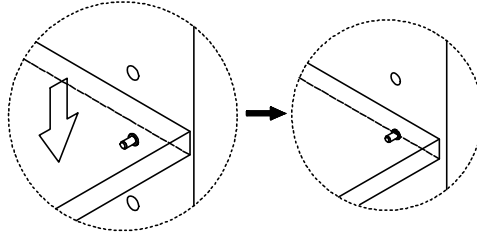


STEP21

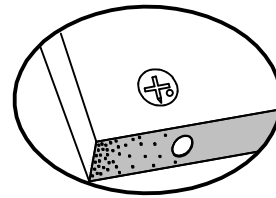
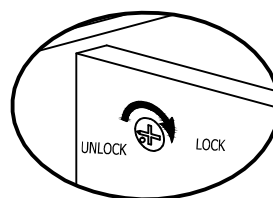
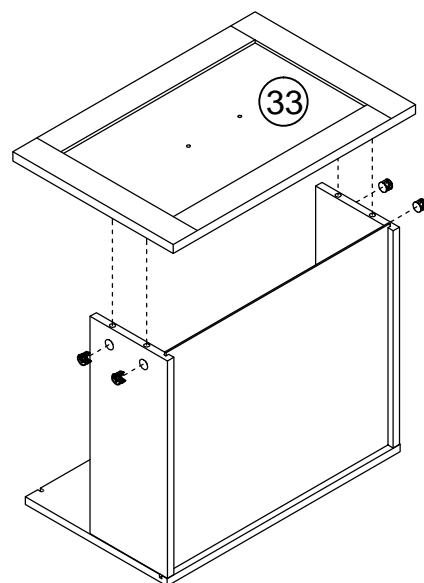
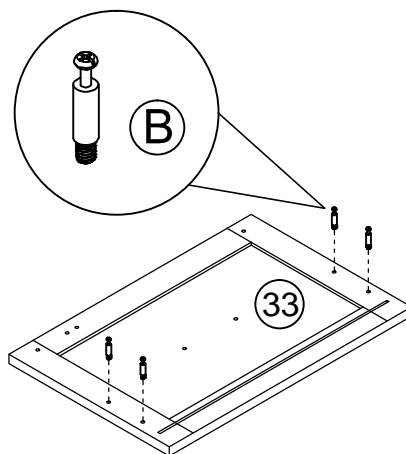
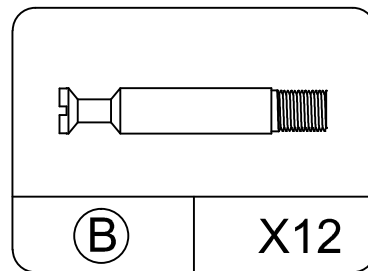
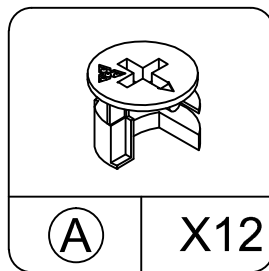
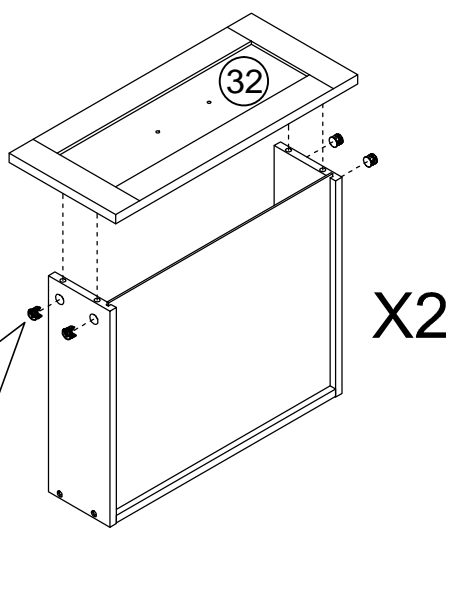
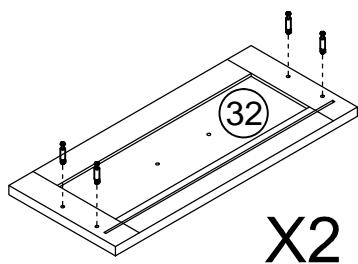
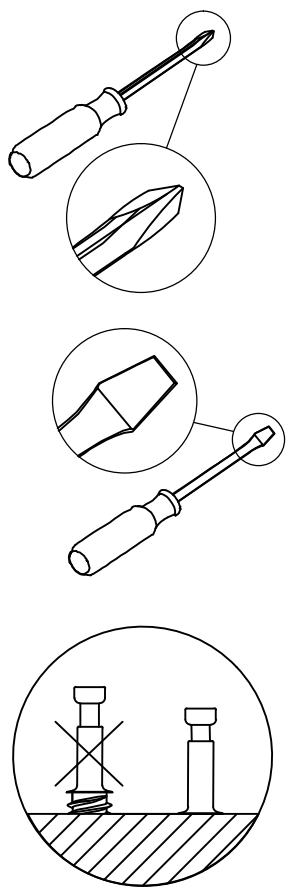
Step 1
Select the desired height
and put it in



Step 2
Aim the board gaps down

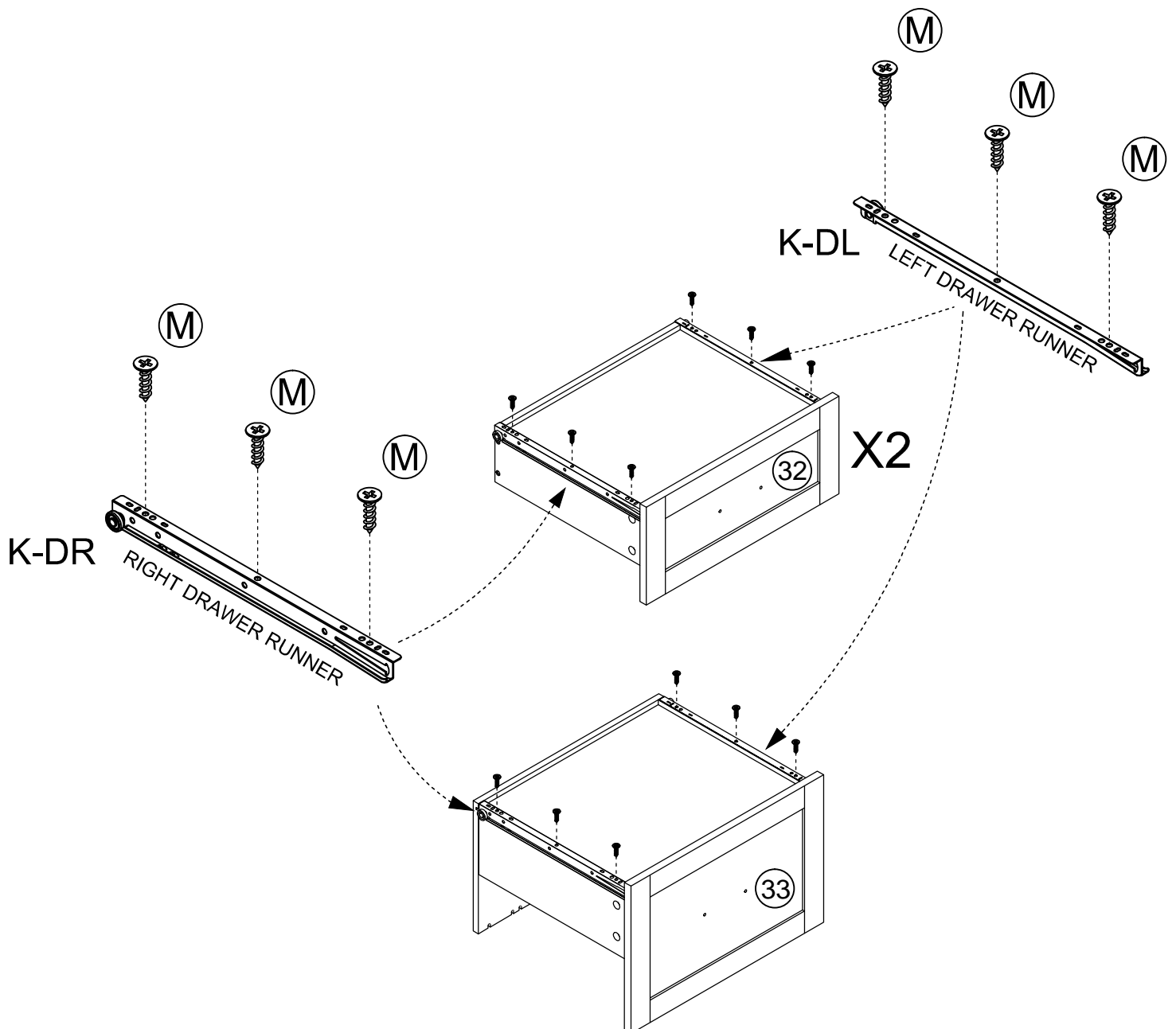
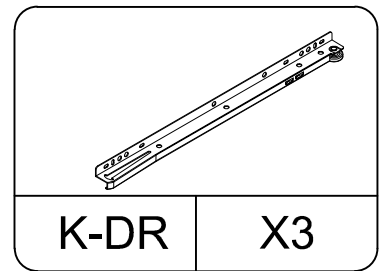
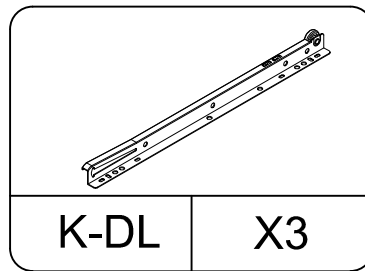
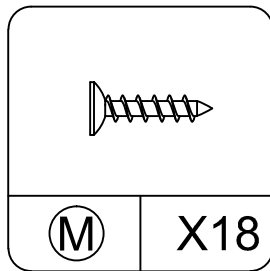
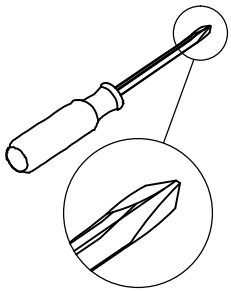


STEP23

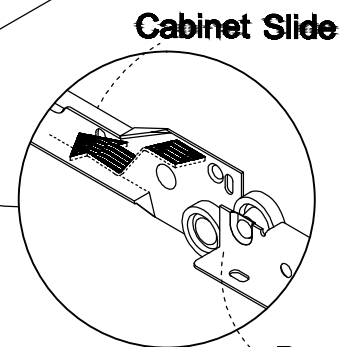
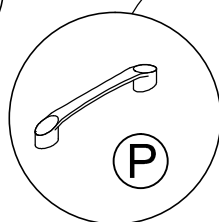
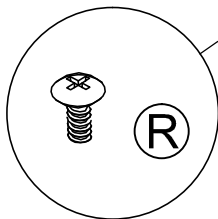
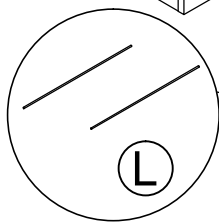
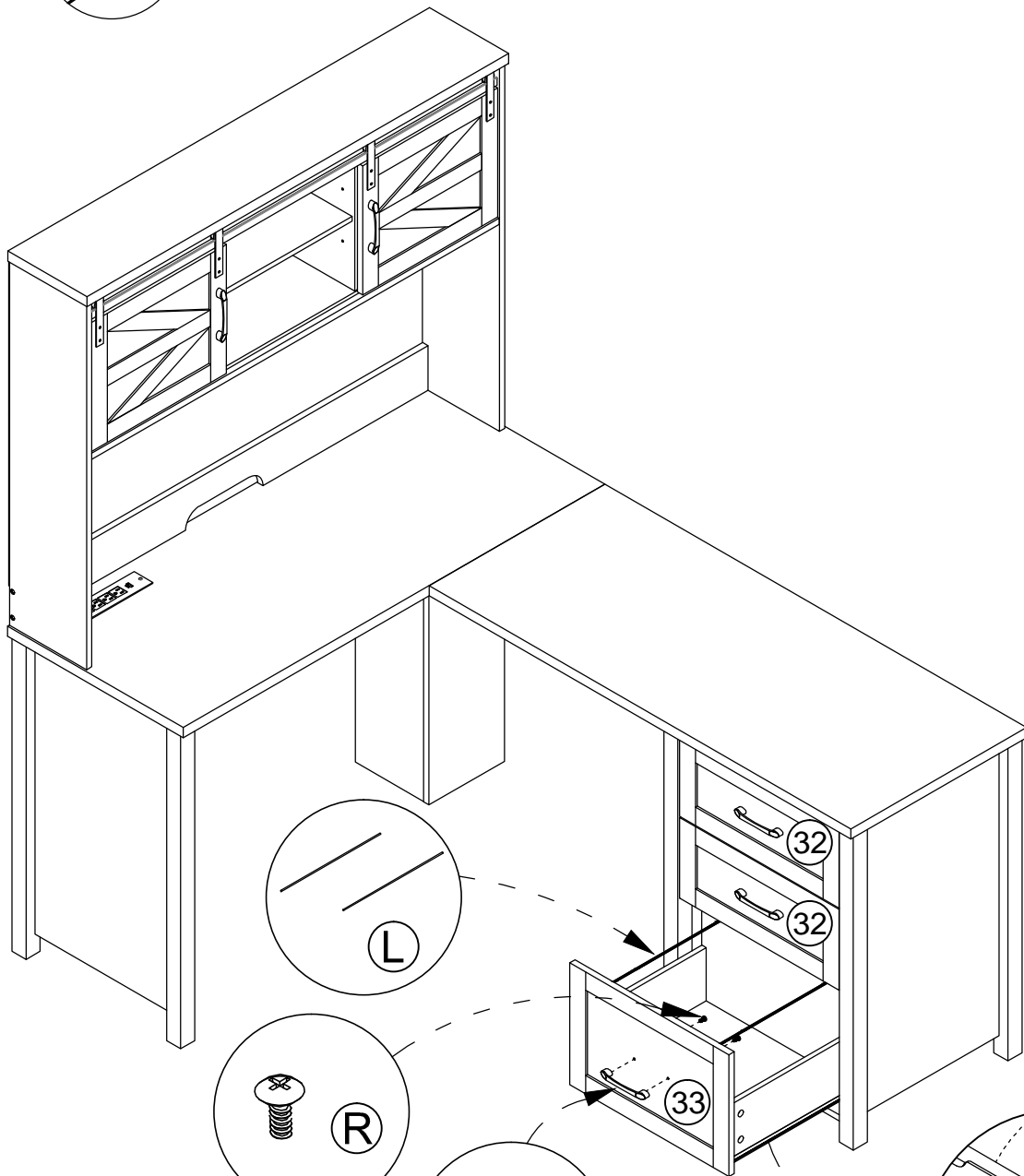
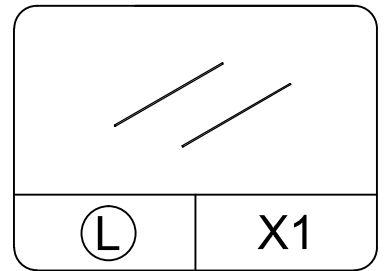
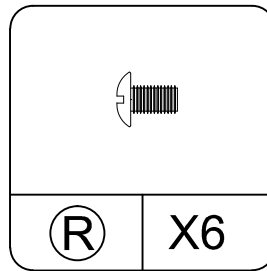
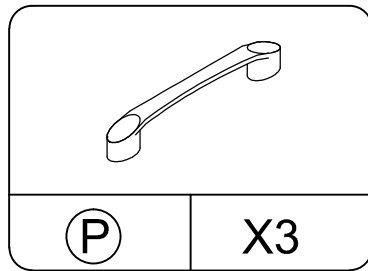
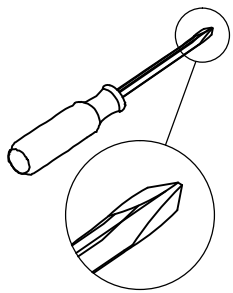


Proper orientation of CAM LOCK

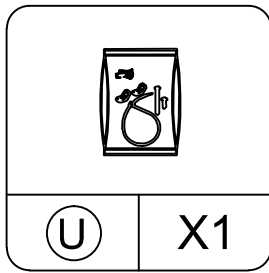
STEP24



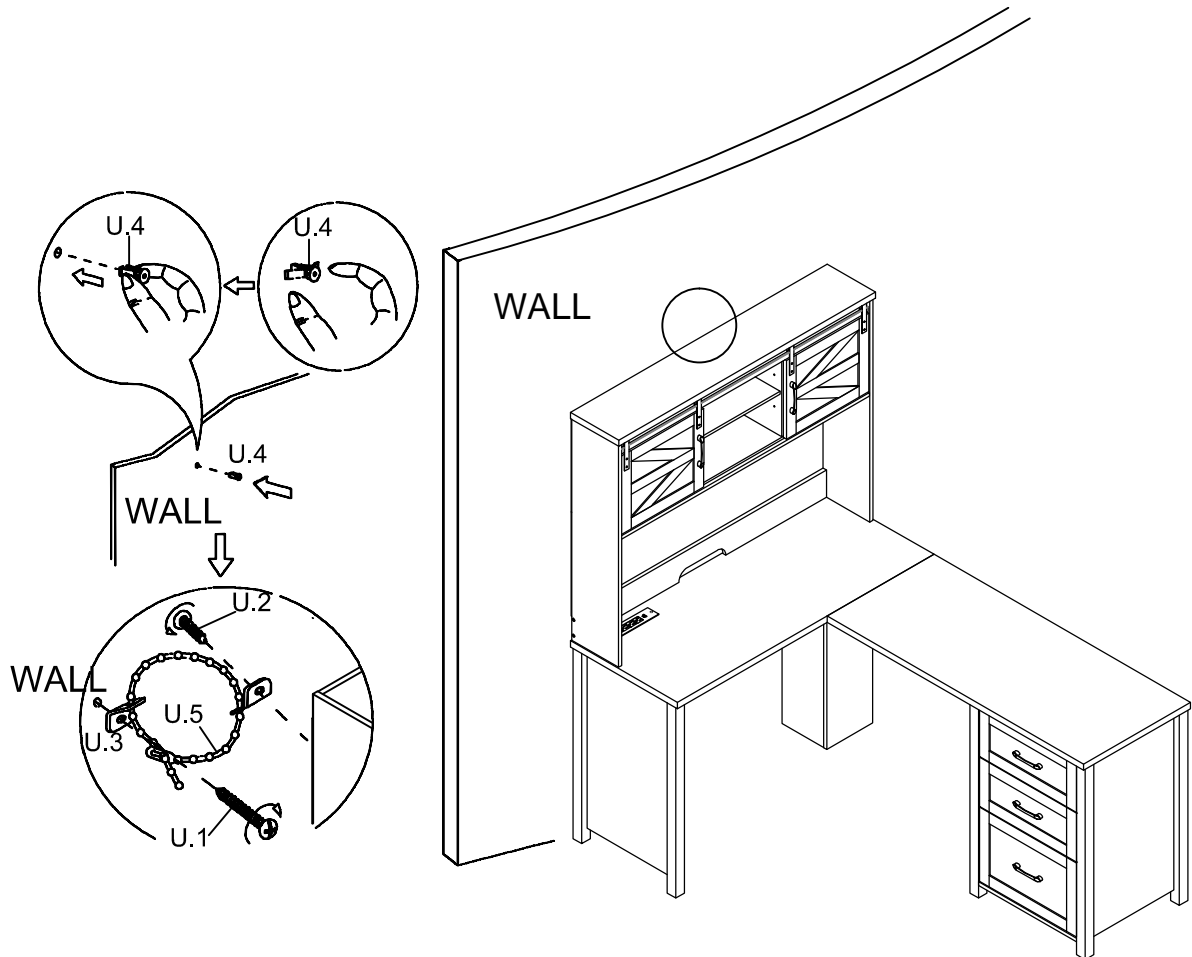
STEP25



STEP26



PART LIST	FIGURE	QUANTITY	DESCRIPTION
U.1		1PC	LONG SCREW (Dia.4mmX38mmL)
U.2		1PC	SHORT SCREW (Dia.4mmX19mmL)
U.3		2PC	METAL "L"BRACKET
U.4		1PC	PLASTIC ANCHOR
U.5		1PC	CABLE



Follow the instructions printed on the plastic bag containing the tipping restraint hardware to attach the tip-over restraints to the unit and the wall.

NOTE:The tipping restraint hardware included is for drywall construction. It will be necessary to drill holes for the wall anchors. Depending upon your wall construction, different anchor hardware may be required. Please contact your local hardware store for assistance.