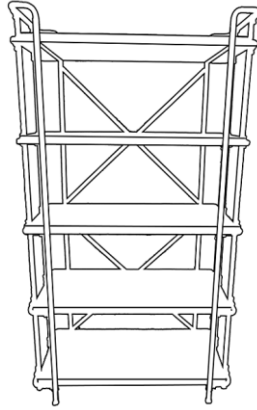


Assembly Instructions

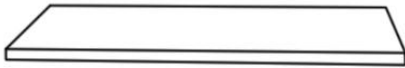

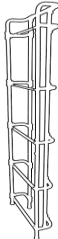

Caution : You must read this before you proceed

NOTE: It is recommended that you have a partner to assist during the entire assembly process.




Bookcase







Parts List

Label	Picture	Description	QTY
A		Wooden Shelf	5
B		Left Leg Frame	1
C		Right Leg Frame	1
D		"X" Iron Stretcher	2

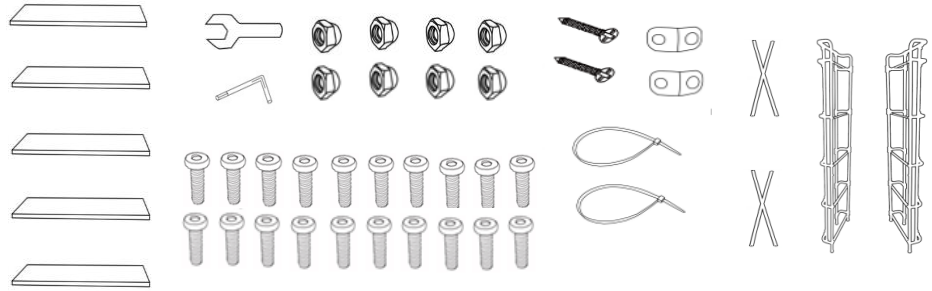
Hardware

Label	Picture	Description	QTY
1		Nut	9
2		Wrench	1
3		Bolt(M6*15)	21

4		Allen Key	1
Cabinet Restraint Device Hardware			
5		5cm Self Tapping Screws	2
6		L-shape Metal Brackets	2
7		Cabinet Restraint Strap	2

Assembly Preparation

Before Beginning Assembly:



- Read instructions, cover to cover-



- Have 2 adults on hand for assembly-



- Do not assemble on flooring or carpet-



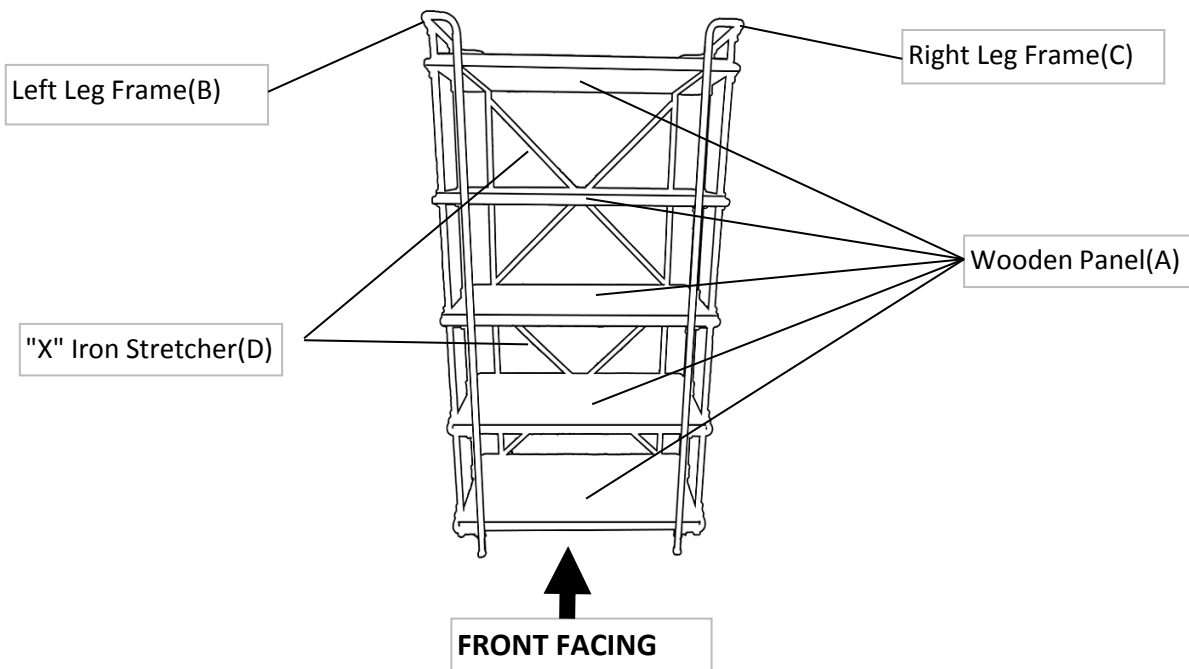
- Assemble on a clean non-marring surface (packing foam)-



- Save all packaging until finished-

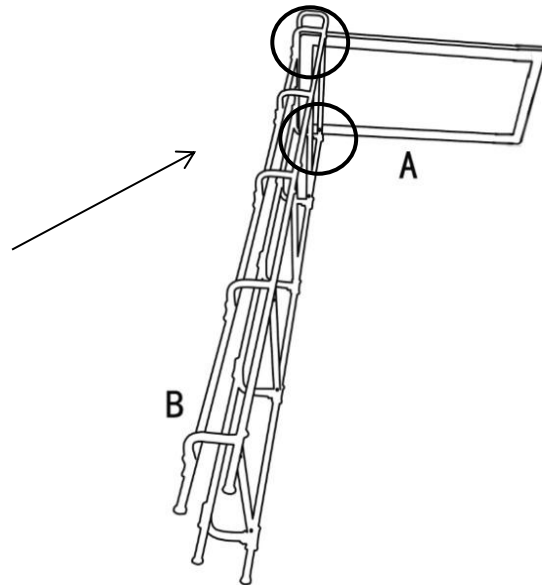
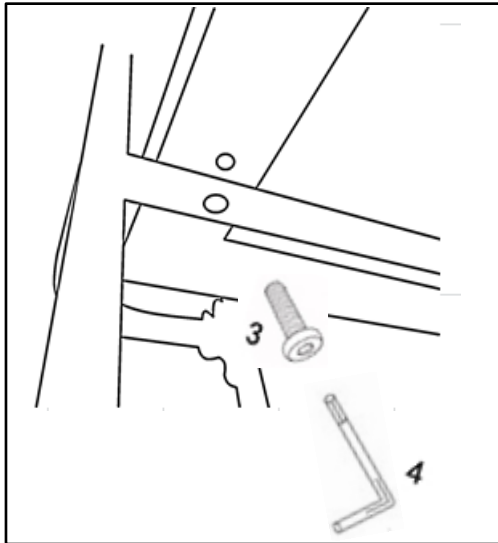
Assembly Steps

Parts Introduction



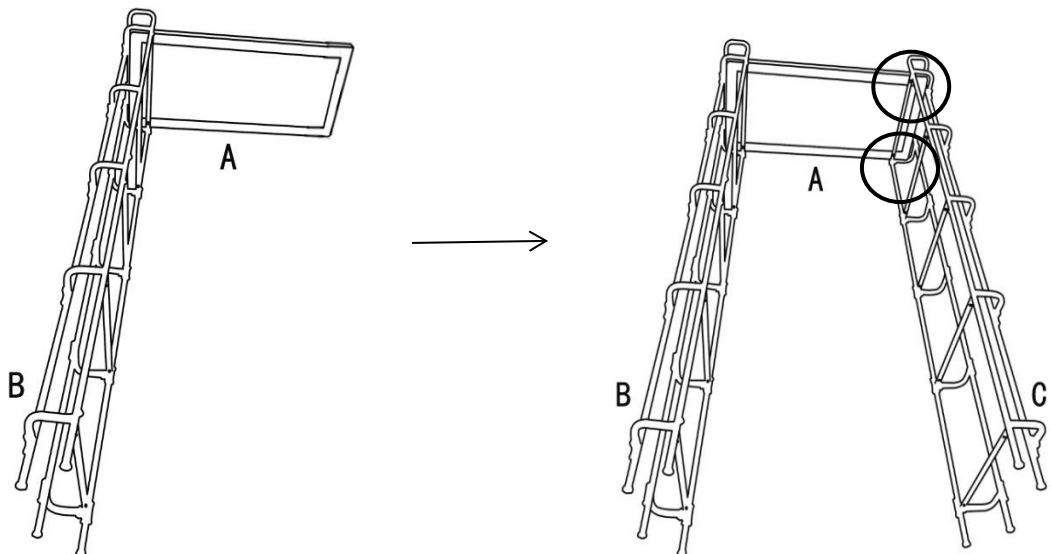
This Bookcase has multiple parts and may require up to some 30 minutes to assemble. To give you an overview of the Bookcase parts, the above picture is to help you put the various parts into perspective. Please read through the instructions herebelow to familiarise the parts and steps before assembly.

Step 1



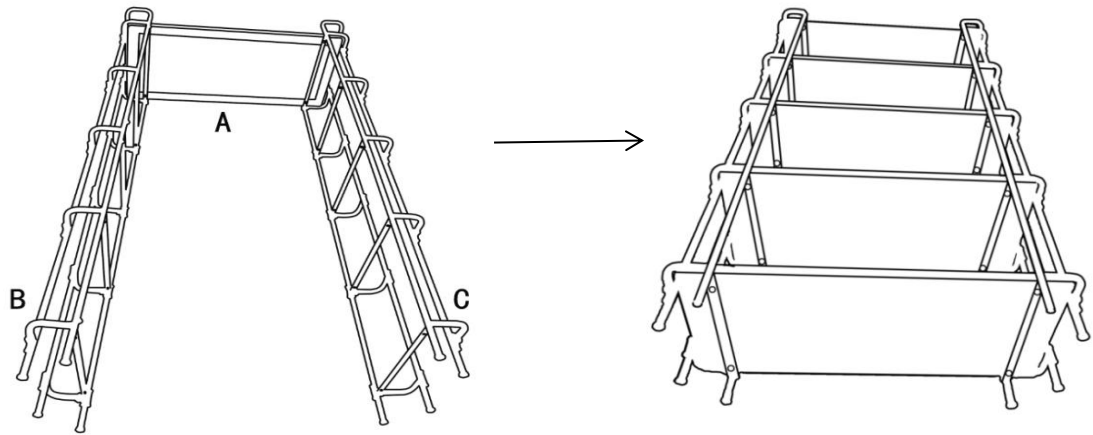
Open the carton and place all parts onto a clean, non-marring surface. Place the Left Leg Frame(B) on it's side as shown. Attach top Wooden Shelf(A) first to Left Leg Frame(B) using Bolt(3) with Allen Key(4). At this stage, **loosely tighten**.

Step 2



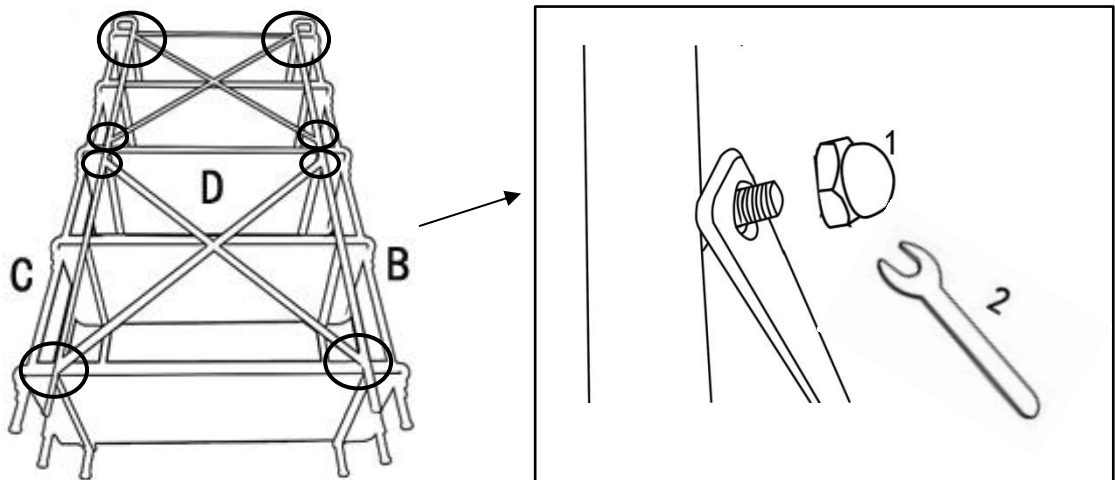
Attach Wooden Shelf(A) to Right Leg Frame(C) using Bolt(3) with Allen Key(4). At this stage, **loosely tighten**.

Step 3



Repeat Steps 1 & 2 with remaining 4 Wooden Shelves(A) from top to bottom.
At this stage, loosely tighten.

Step 4



Turn the Bookcase face down as shown.

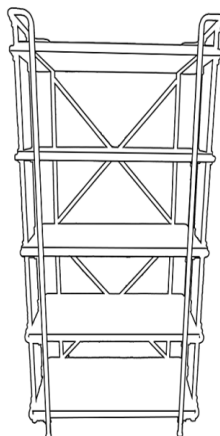
Rotate the "X" Iron Stretcher(D) to the desired position towards the four corners of the Bookcase.

Attach "X" Iron Stretcher to the Bookcase using Nut(1) with Wrench(2).

Repeat this process with the second "X" Iron Stretcher.

Only Loosely Tighten.

Step 5



Stand the Bookcase up.

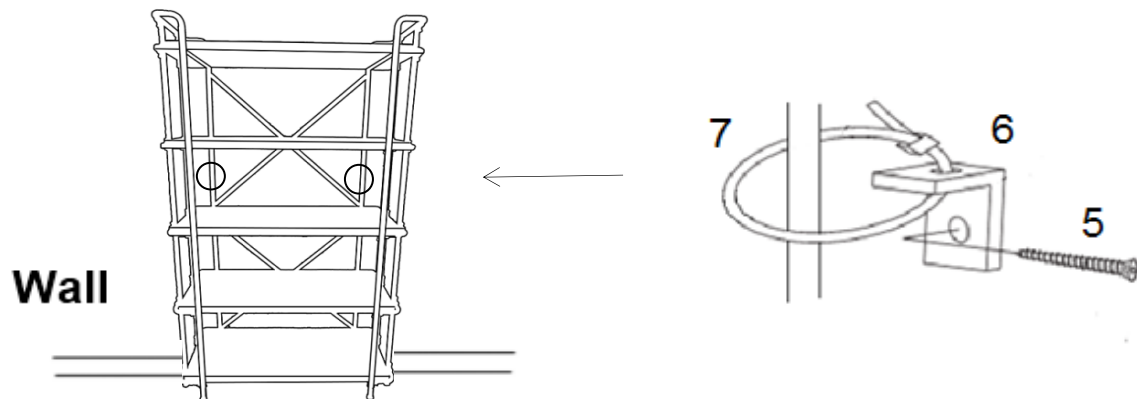
Check for stability and then tighten the Bolts.

DO NOT fully tighten a BOLT in one go and then move on to the next.

Rather, in a sequential manner, gradually tighten each Bolt until all Bolts are evenly secured. This methodology will ensure maximum evenness once all Bolts are fully tightened.

Note: This step is done better with the assistance of a second adult.

Cabinet Restraint Device Installation Instructions



Safety Caution : It is recommended to use this Cabinet Restraint Device. Find details as below:

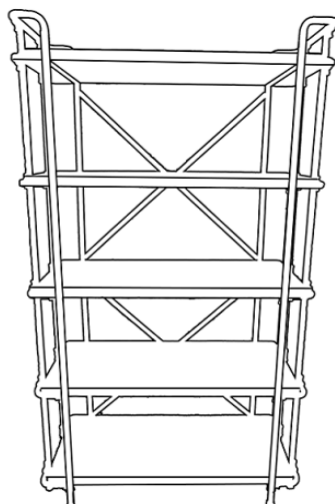
A: Fix 2pcs L-shape Metal Brackets(6) with 5cm self tapping screws(5) on the wall.

Position for self tapping screw(5): same height as the third shelves of Bookcase.

(Caution: The distance between brackets on wall and Bookcase vertical profile should be within 3.5" .)



















B: Pull the strape(7) through L-shape metal brackets(6) cross the back rail of the Bookcase, lock tight the strape(7).

Step 6



Your Bookcase is ready for use.

Care & Maintenance

-   • Do not put hot items directly on furniture surface
 -   • Do not clean furniture with harsh cleansers or polish.
 -   • To obtain the longest lifespan of your outdoor products, minimizing exposure to direct sunlight is recommended.
 -   • Children should not climb or jump on the furniture.
 -   • Do not write on furniture without a padded barrier to protect the surface.
 -   • To obtain the longest lifespan of your outdoor products, avoid extended and lengthy exposure to rain, snow, and direct sunshine. Whenever possible cover the product and /or place under patio or awnings.
 -   • Not for commercial use. For residential use only .
 -   • Stains may be removed with mild soap solution and damp cloth.
-
-   • Dust and pick-up spills using a clean, non-colored, lint-free cloth .

What is Proposition 65?

Proposition 65 is a California law that requires warning labels on products that may contain one of more than 800-plus chemicals or ingredients that the California Office of Environmental Health Hazard Assessment (OEHHA) has deemed to cause cancer or other reproductive toxicity. Chemicals and elements on this list include wood dust, brass, and other everyday substances, which can be found in very common household items, such as: lamps, tableware, jewelry, crystal glasses, electric cords, beauty products, automobiles, and furniture.

Why Did I Find a Proposition 65 Warning on My Home Goods Product?

We include Proposition 65 warnings on all of our products because there is always a chance that one of the 800-plus common chemicals and ingredients listed under this law could potentially be on our furniture or packing materials. We risk large fines under this law, if we don't include this warning.

Should I worry?

We realize you may be worried finding this warning on our products, but we want to reassure you that the hazardous exposure limits for any of these chemicals have never been found on furniture products that we've shipped to our customers. Additionally, this warning label is very common and can be found on almost every piece of furniture sold in the state of California.

Just How Common Are Proposition 65 Warnings?

Proposition 65 warnings have become so common in California that it is hard to take a trip to a local bank, grocery store, or restaurant without finding at least one warning. In fact, even the Disney Land Resort has a Proposition 65 warning:

