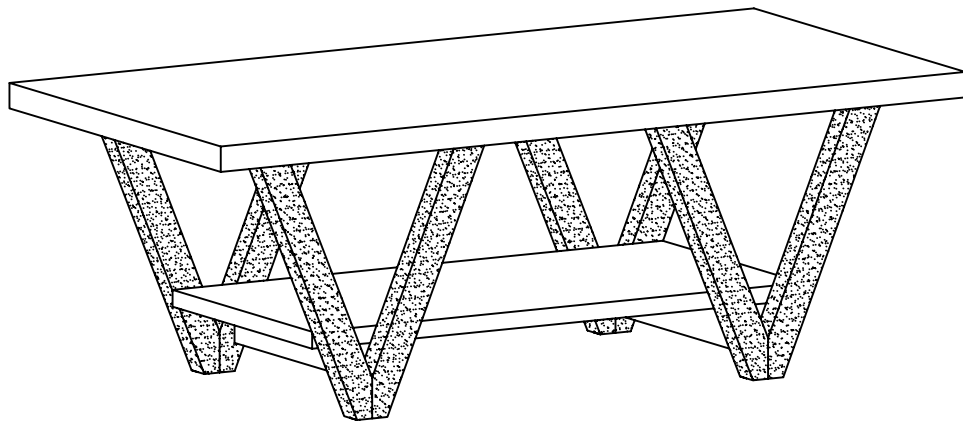


ASSEMBLY INSTRUCTIONS



Fine Furniture for every stage of life

Coffee Table

ASSEMBLY INSTRUCTIONS

ASSEMBLY TIPS:

- 1.Remove hardware from box and sort by size.
- 2.Please check to see that all hardware and parts are present prior to start of assembly.
- 3.Please follow attached instructions in the same sequence as numbered to assure fast & easy assembly.

Warning !!

1. Don't attempt to repair or modify parts that are broken or defective. Please contact the store immediately.
2. This product is for home use only and not intended for commercial establishment.

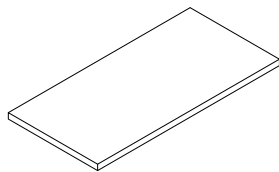


ASSEMBLY TIME

30 MINUTES

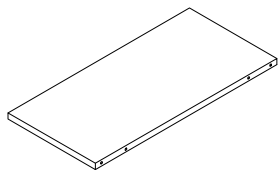
PARTS IDENTIFICATION

(A) TOP



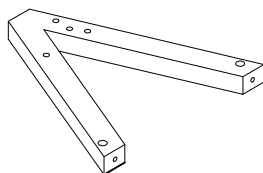
1 PC

(B) BOTTOM PANEL



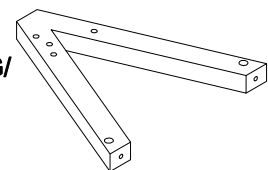
1 PC

(C) FRONT LEFT LEG/
REAR RIGHT LEG



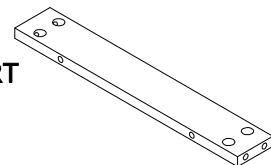
2 PCS

(D) FRONT RIGHT LEG/
REAR LEFT LEG



2 PCS

(E) BOTTOM SUPPORT



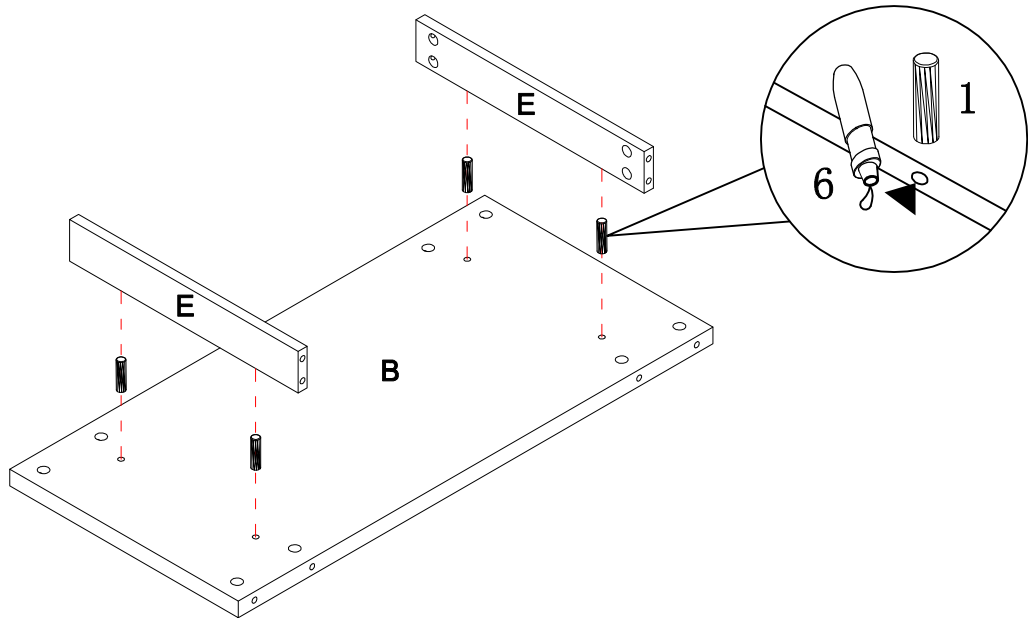
2 PCS

HARDWARE IDENTIFICATION

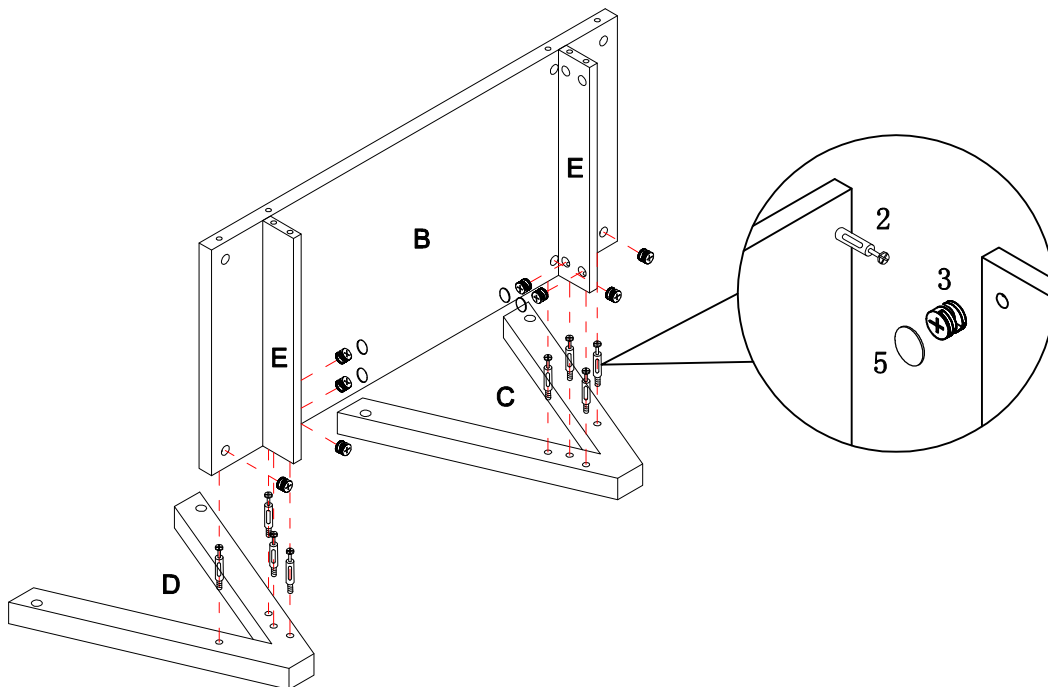
1	DOWEL	ø8x25mm		4pcs
2	CAMBOLT	L29mm		24pcs
3	CAMLOCK	ø15mm		24pcs
4	STICKER	ø20mm(BK)		8pcs
5	STICKER	ø20mm		8pcs
6	GLUE			1pc

ASSEMBLY INSTRUCTIONS

STEP 1

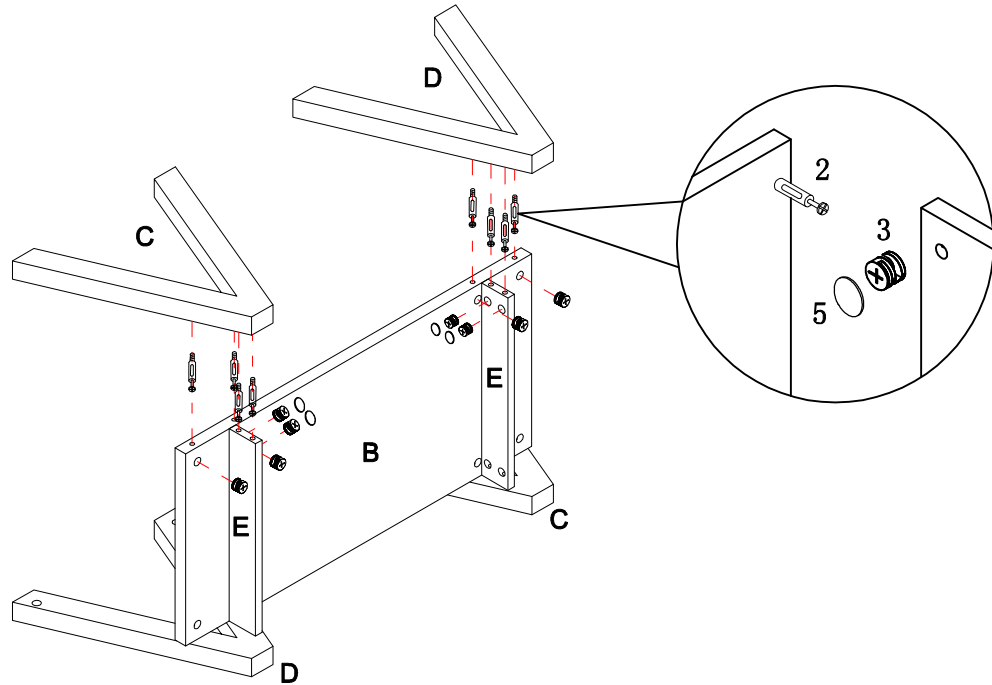


STEP 2

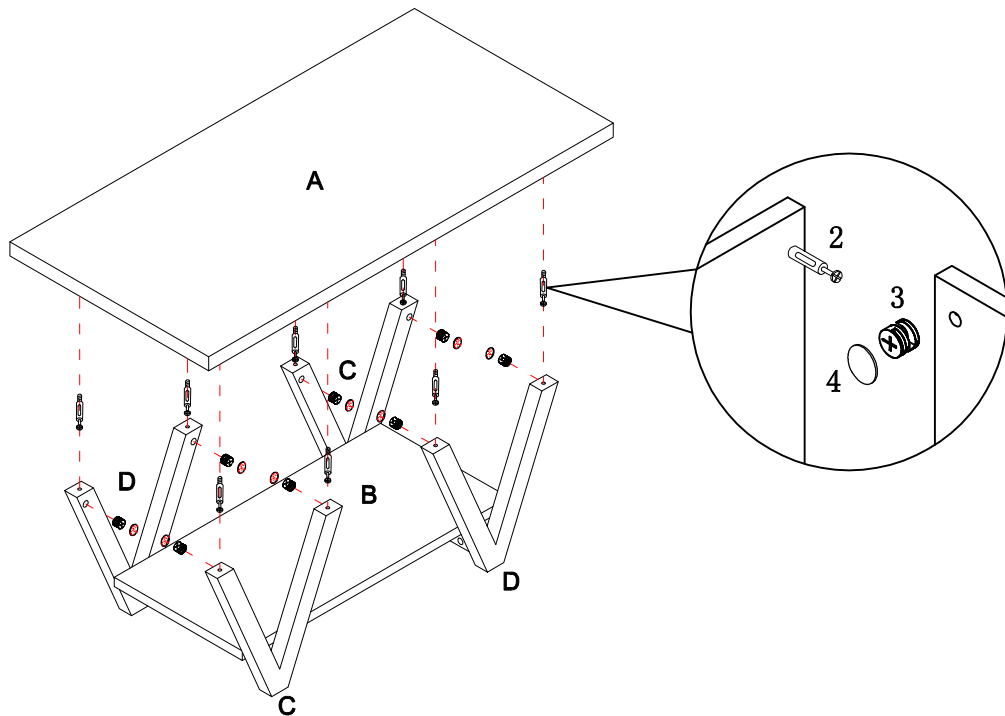


ASSEMBLY INSTRUCTIONS

STEP 3



STEP 4



DIMENSION

