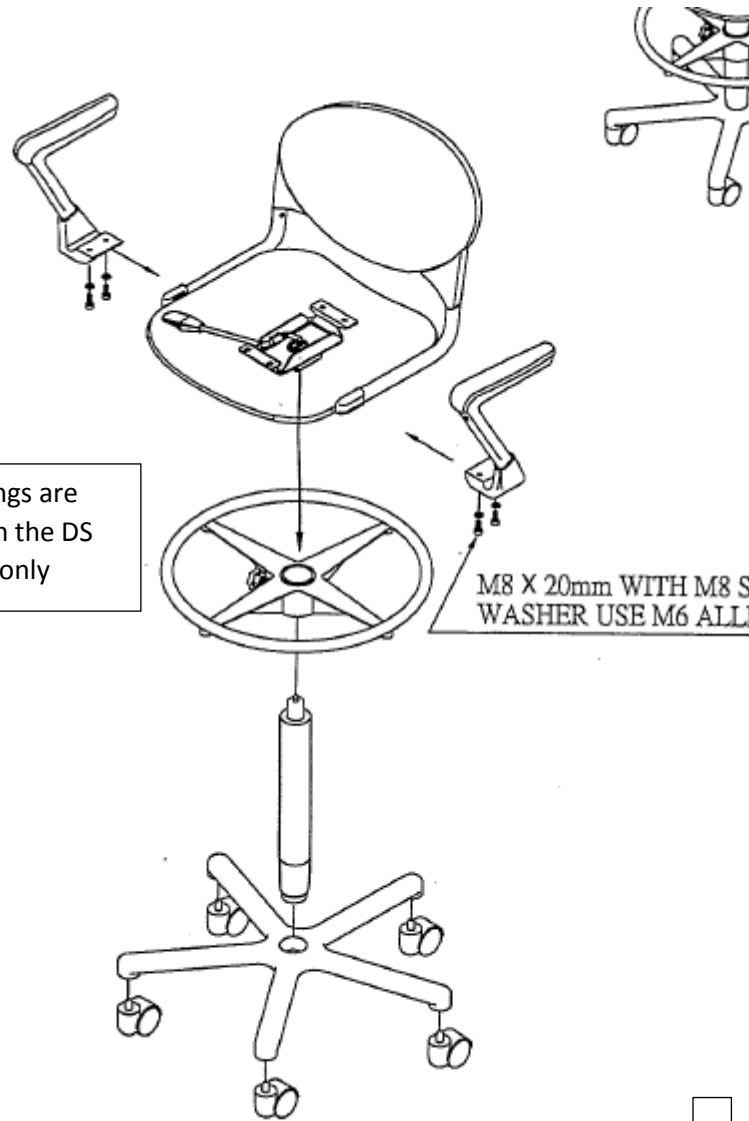


kfi TK and DS Kool Series Chair Assembly Instructions



Please read all instructions before starting the assembly process.

Assemble the casters into the base pressing them in by hand. If needed a soft mallet may be used to assist.

Remove the gas lift from the wrap and place it in the center hole of the base with the white plastic tip up.

Remove the black plastic cones and slide them over the gas lift. Place the smallest on first then the medium size and last the largest.

Remove the foot ring and place it on the gas lift with the smooth side up.

If arms are required mount them to the bottom of the chair frame assembly using the M8 hardware and tighten.

Place the chair frame assembly on the top of the gas lift. Carefully apply downward pressure on the chair frame assembly making sure it does not wobble.

For missing components please take a photo of the opened box and email it to sales@kfiseating.com

www.kfiseating.com

Toll Free 1-800-457-5073

QC checklist for components included

- | | |
|----------------------------------|--|
| <input type="checkbox"/> Arm | <input type="checkbox"/> Foot Ring |
| <input type="checkbox"/> Base | <input type="checkbox"/> Gas Lift |
| <input type="checkbox"/> Casters | <input type="checkbox"/> Lift Covers <input type="checkbox"/> Chair Frame Assembly |