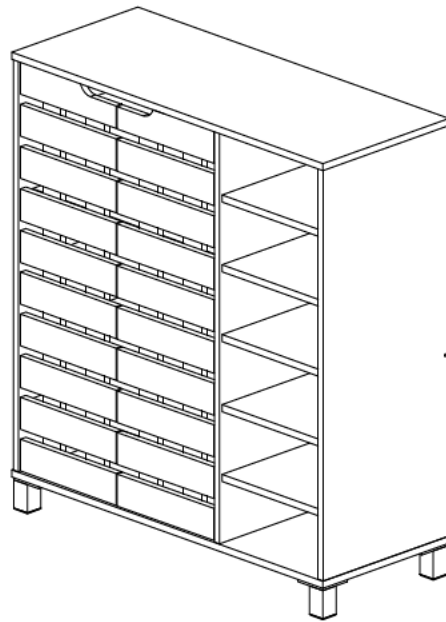
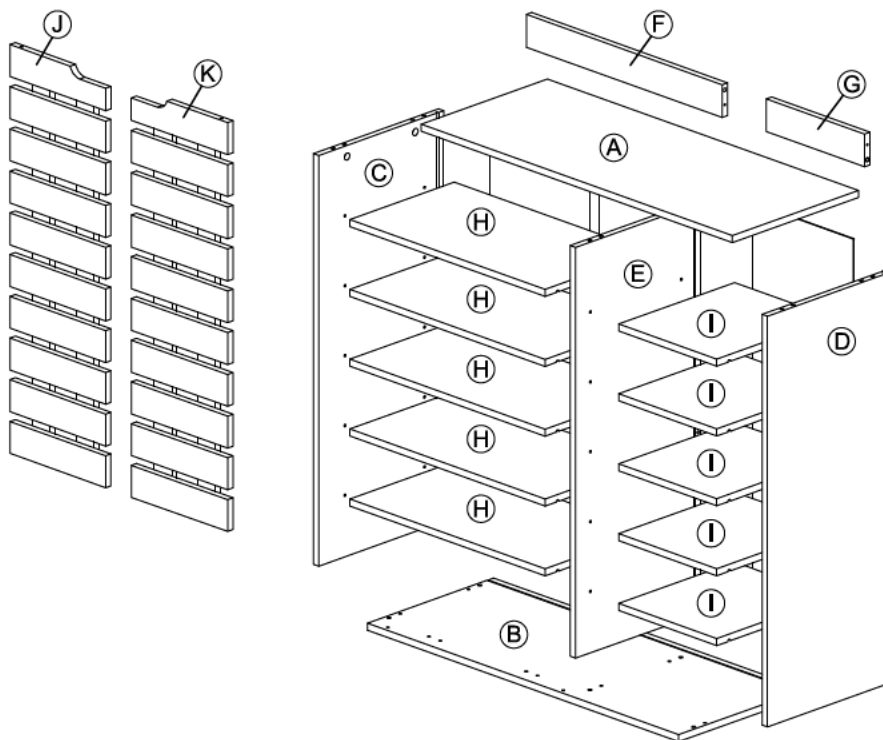


Assembly Instruction



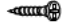









Part List







Assembly Instruction

Hardware List

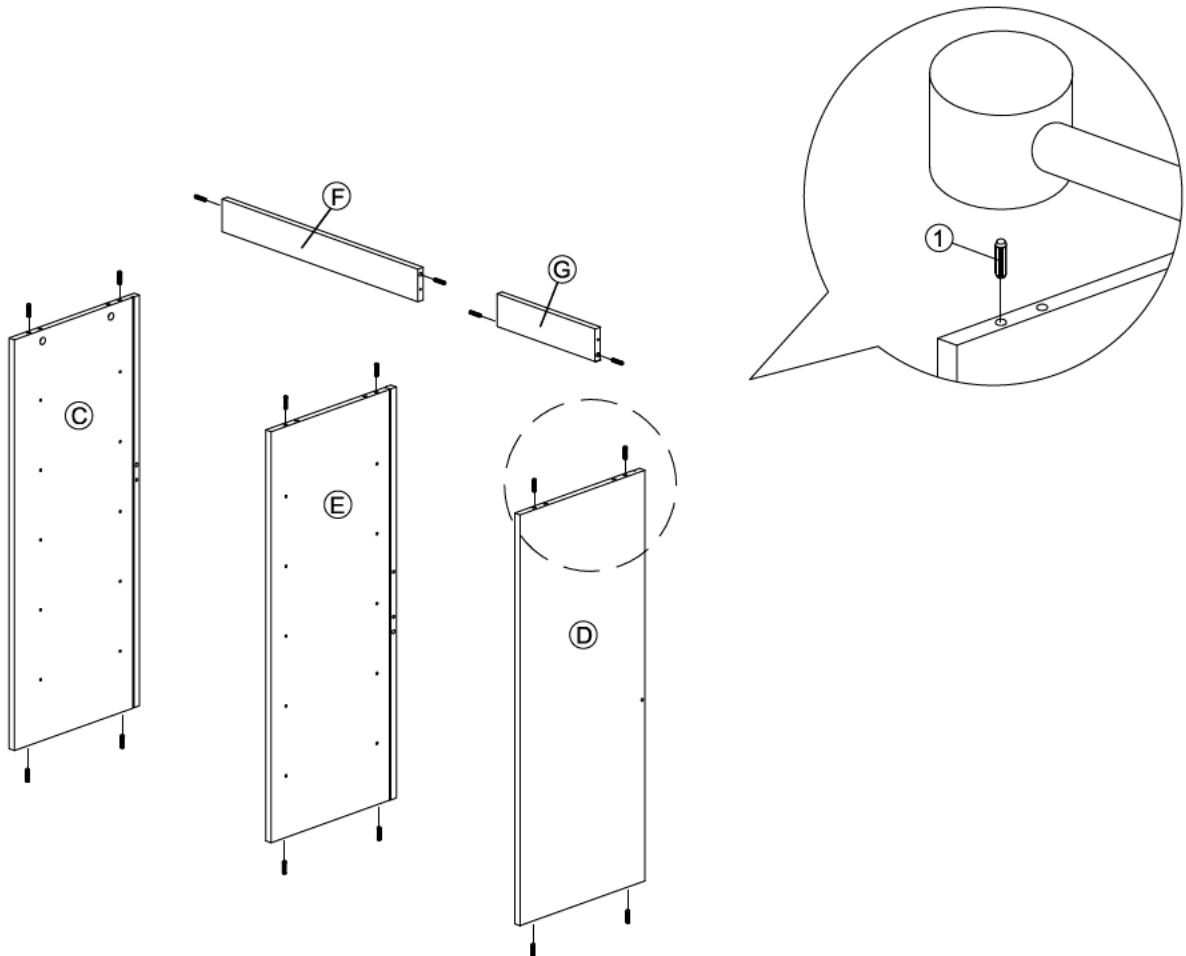
No.	SHAPE	DESCRIPTION	Qty.
1		8x25mm Wood Dowel	16Pcs
2		15MM Myfix Minifix	6Sets
3		M3x16mm Screw	12Pcs
4		M5x38mm Screw	10Pcs
5		M3.5x15mm Screw	15Pcs
6		Shelf Support	40Pcs
7		15mm Minifix Cap	6Pcs
8		Screw Cap	2Pcs
9		Door Support Metal	4Pcs

10		Brown Magnet 2 Pin Flat Head Tapping Screw M6x10mm ZB	4Sets
11		Z Bracket (Big)	6Pcs
12		PVC Sofa leg (H70mm)	5Pcs

Packing Tipping Restraint

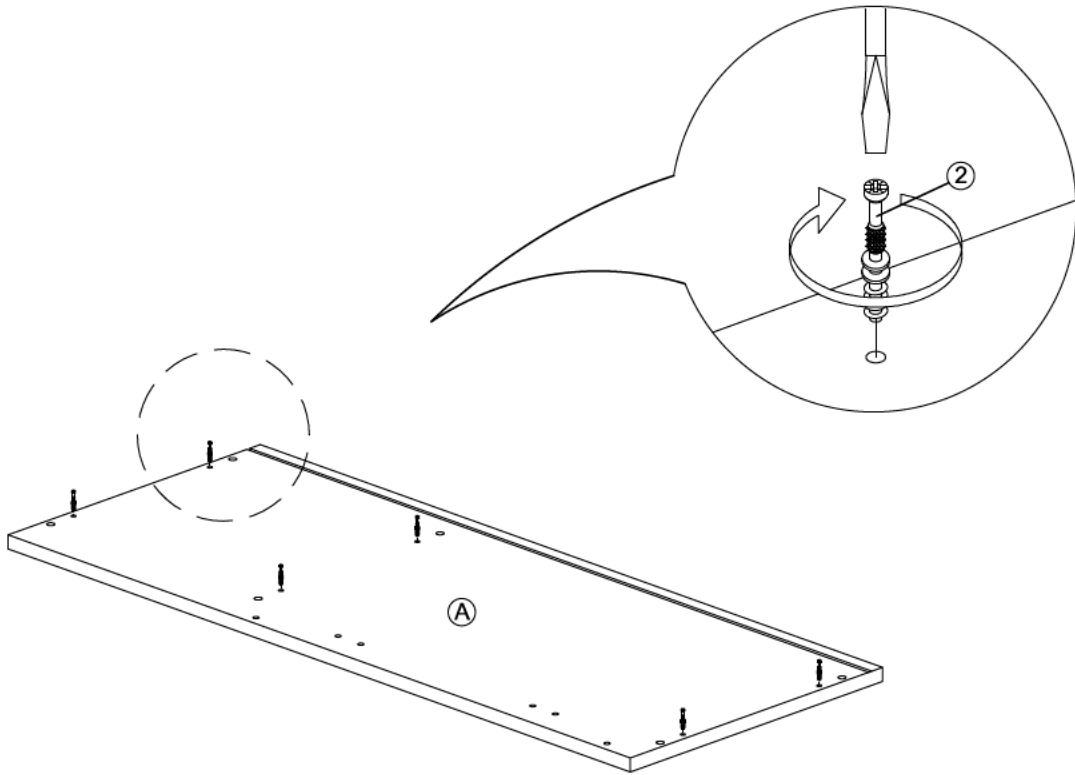
13		M3.5x15mm Screw	2Pcs
14		Wall Plug	2Pcs
15		M4x30mm Screw	2Pcs
16		Safety Strap	2Pcs
17		Flat Washer 6x19x2mm	4Pcs

STEP 1

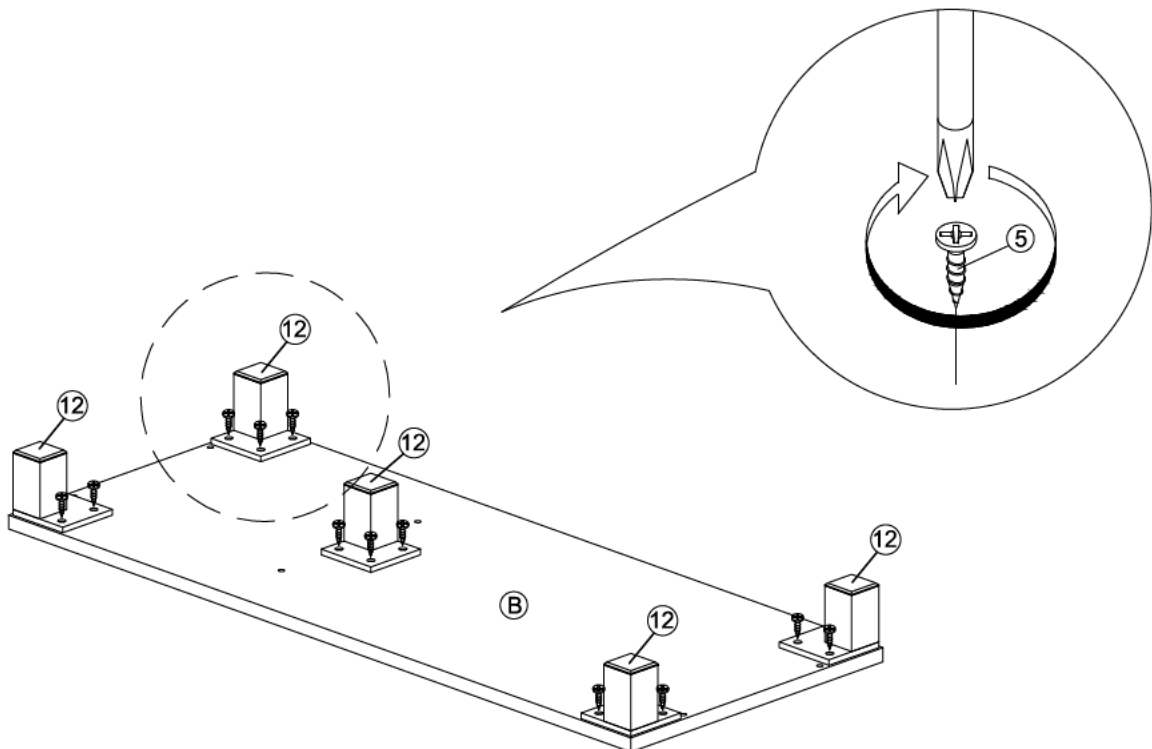


Assembly Instruction

STEP 2

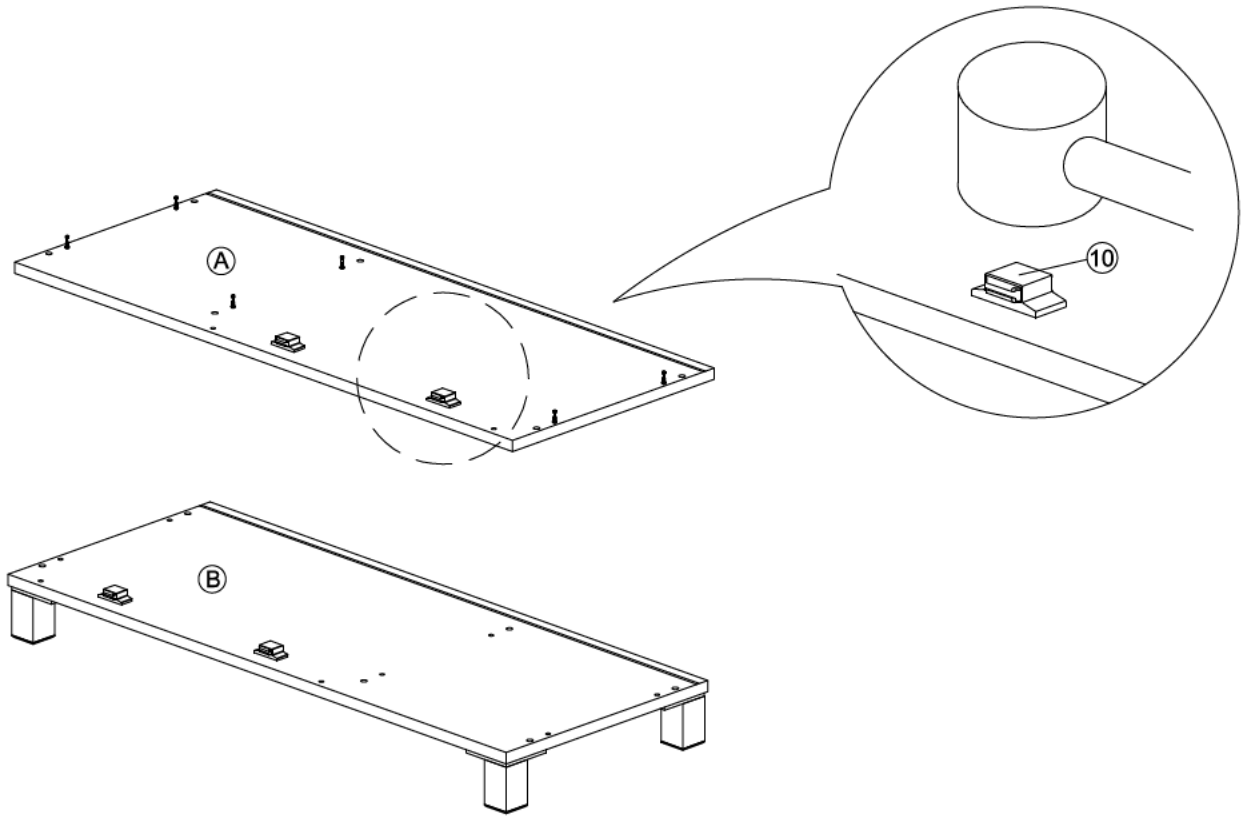


STEP 3

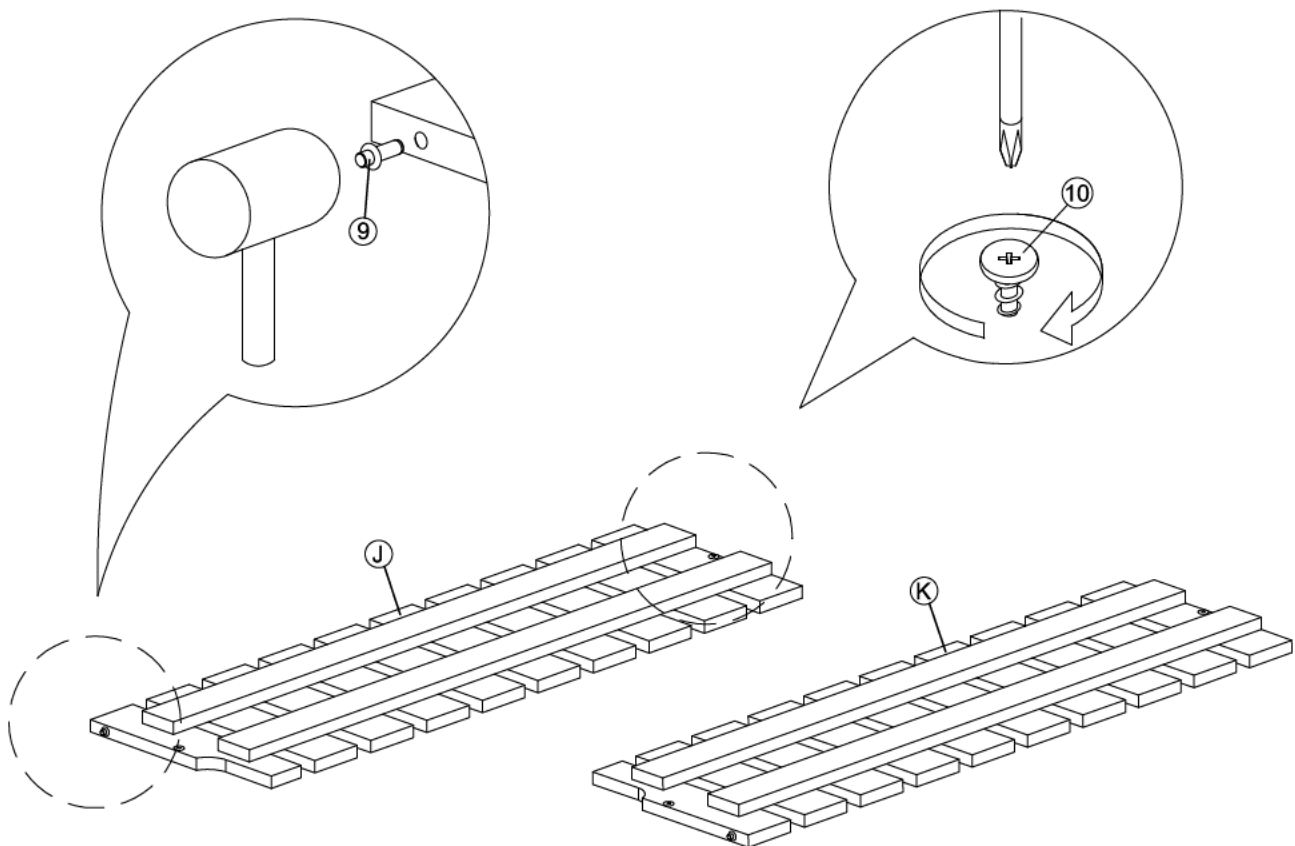


Assembly Instruction

STEP 4

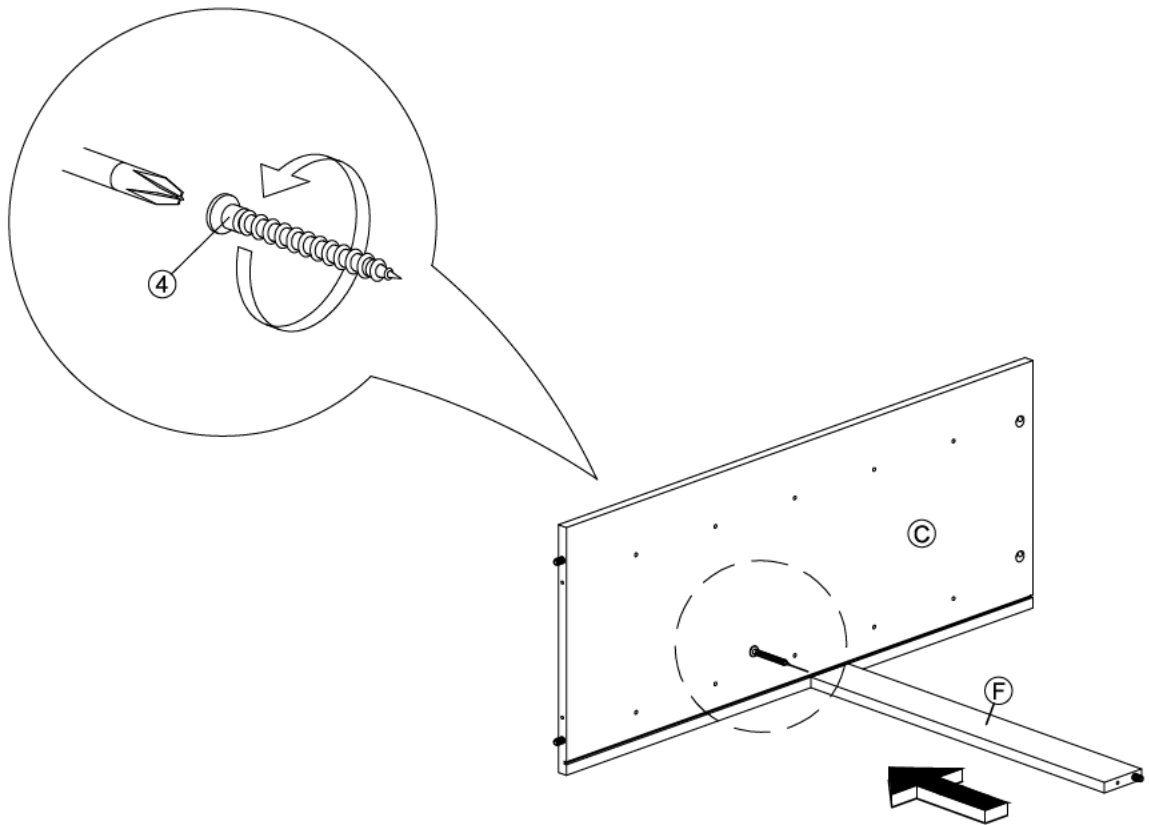


STEP 5

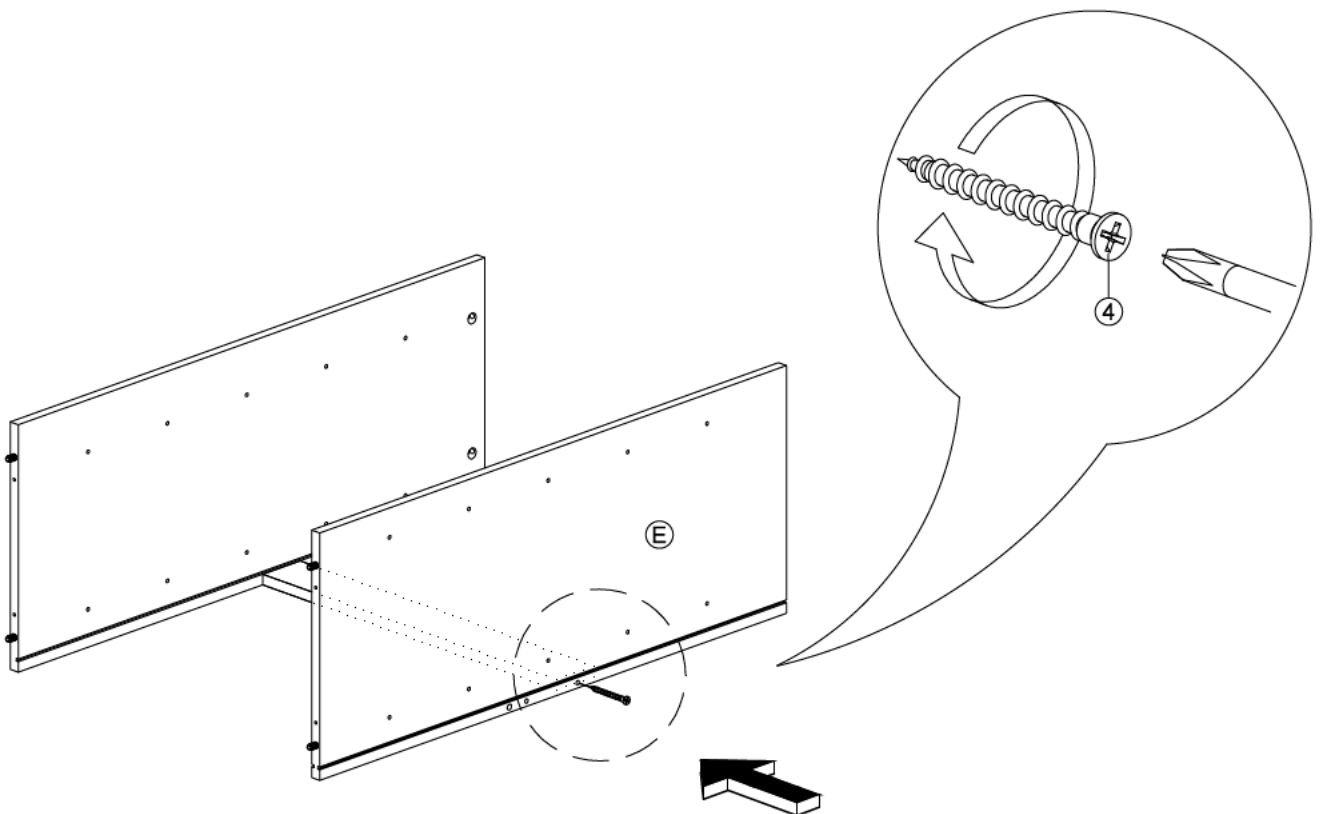


Assembly Instruction

STEP 6

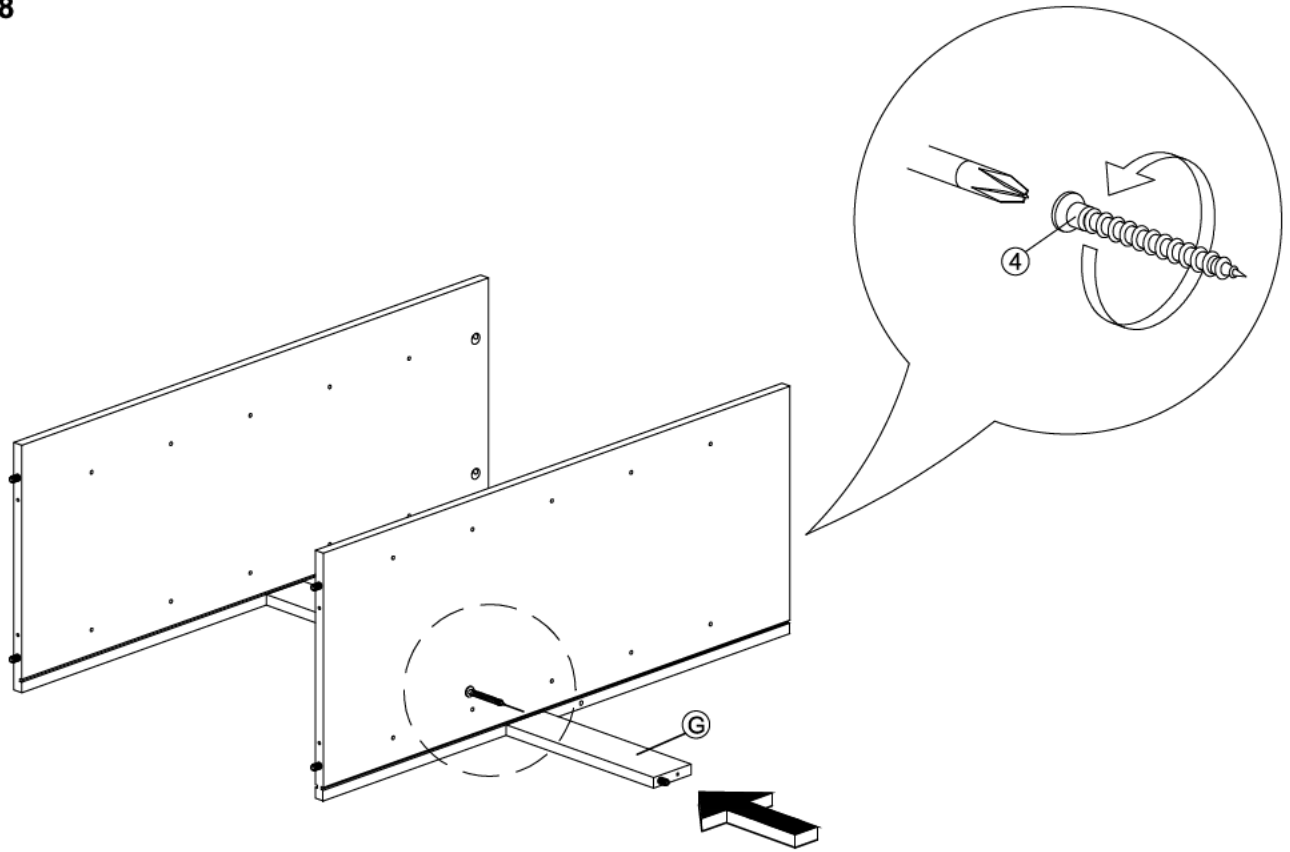


STEP 7

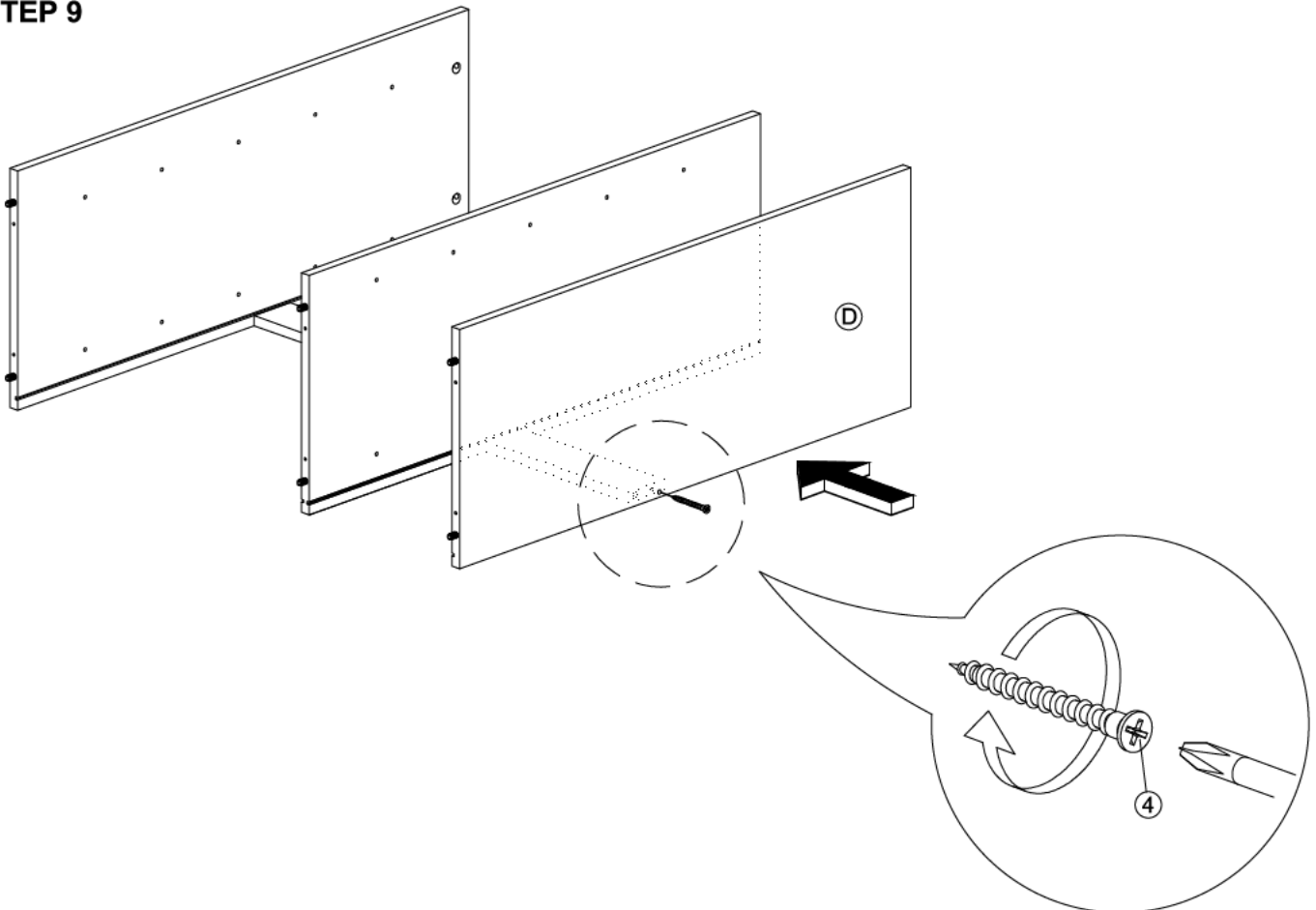


Assembly Instruction

STEP 8

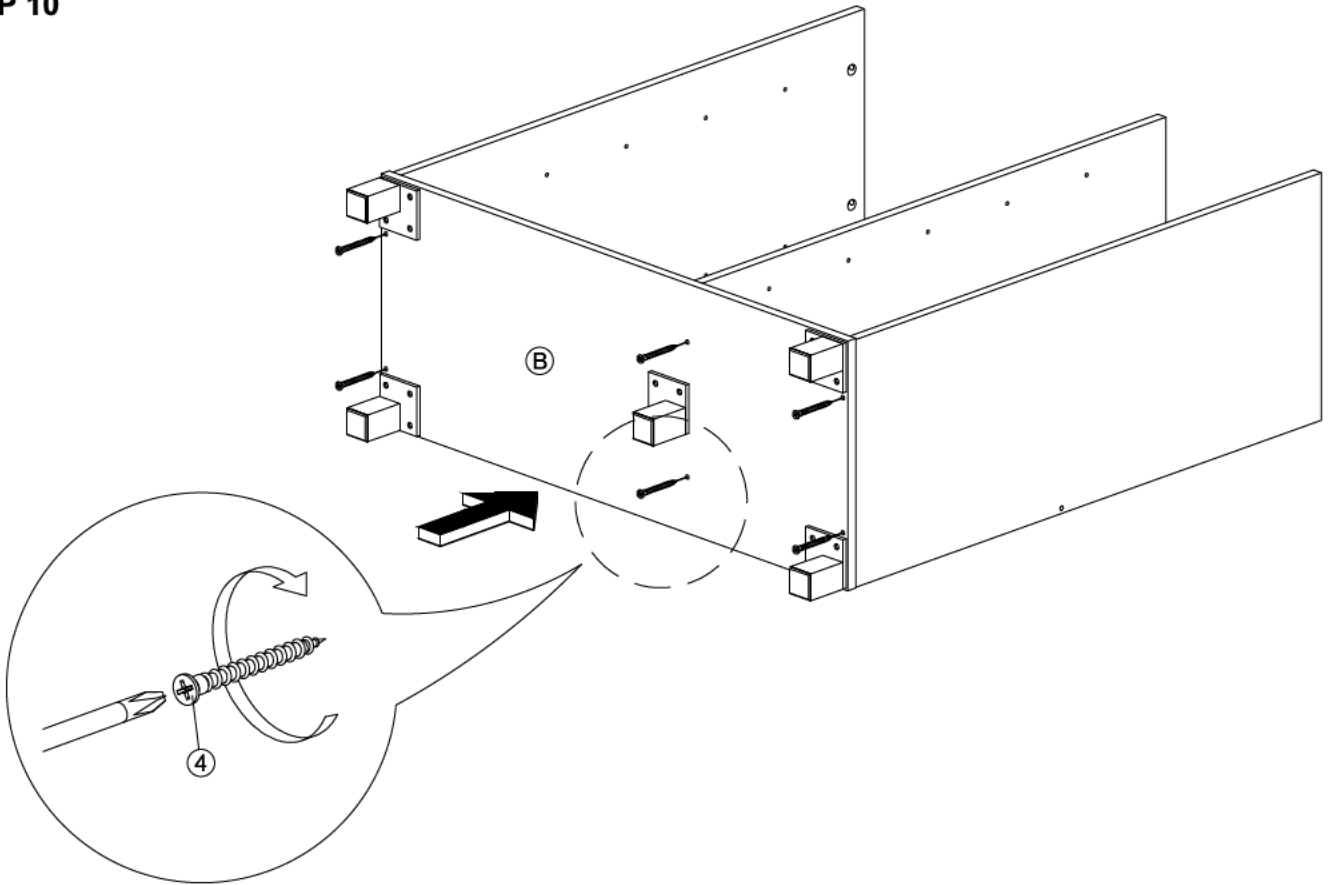


STEP 9

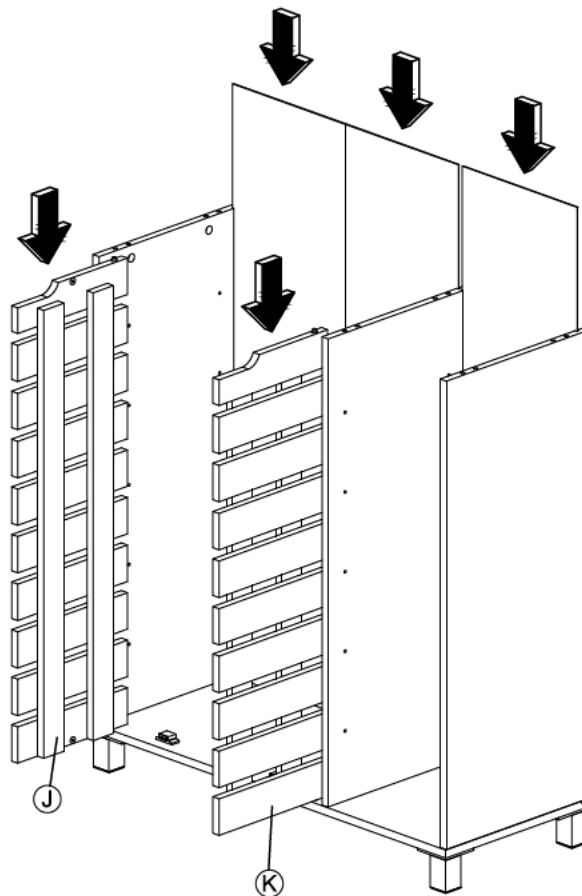


Assembly Instruction

STEP 10

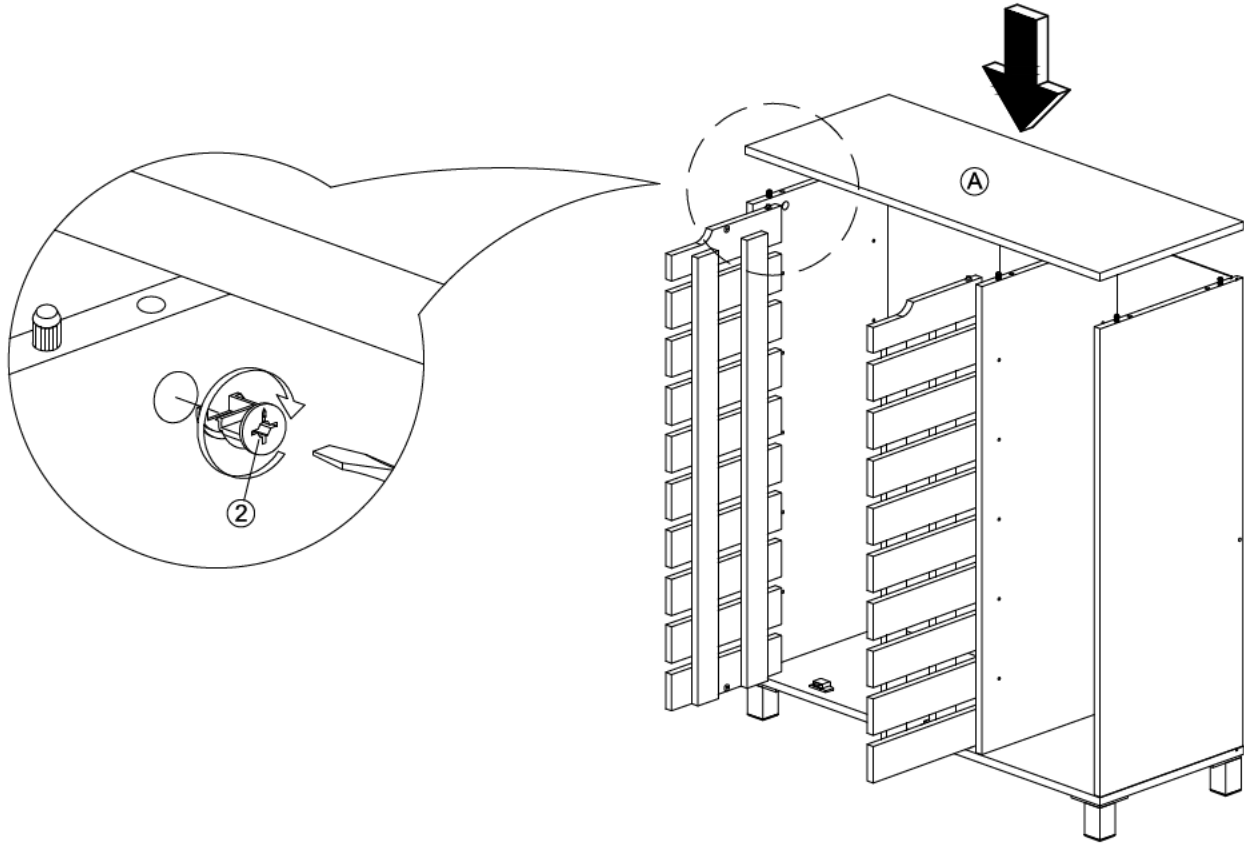


STEP 11

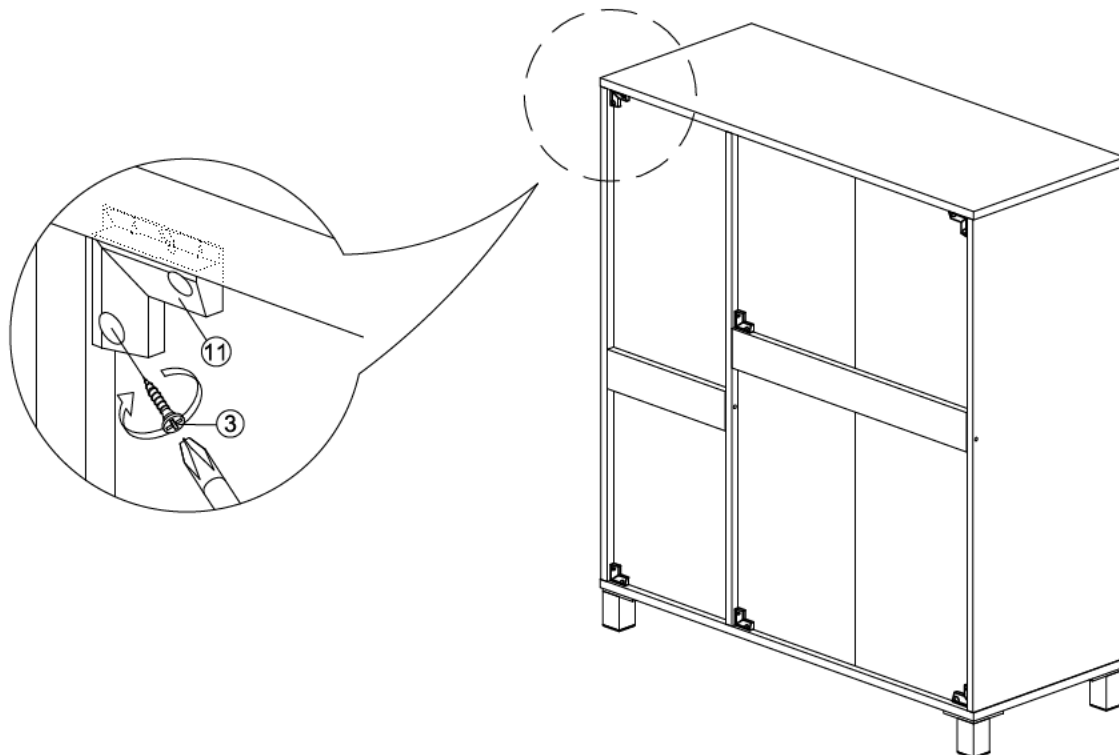


Assembly Instruction

STEP 12

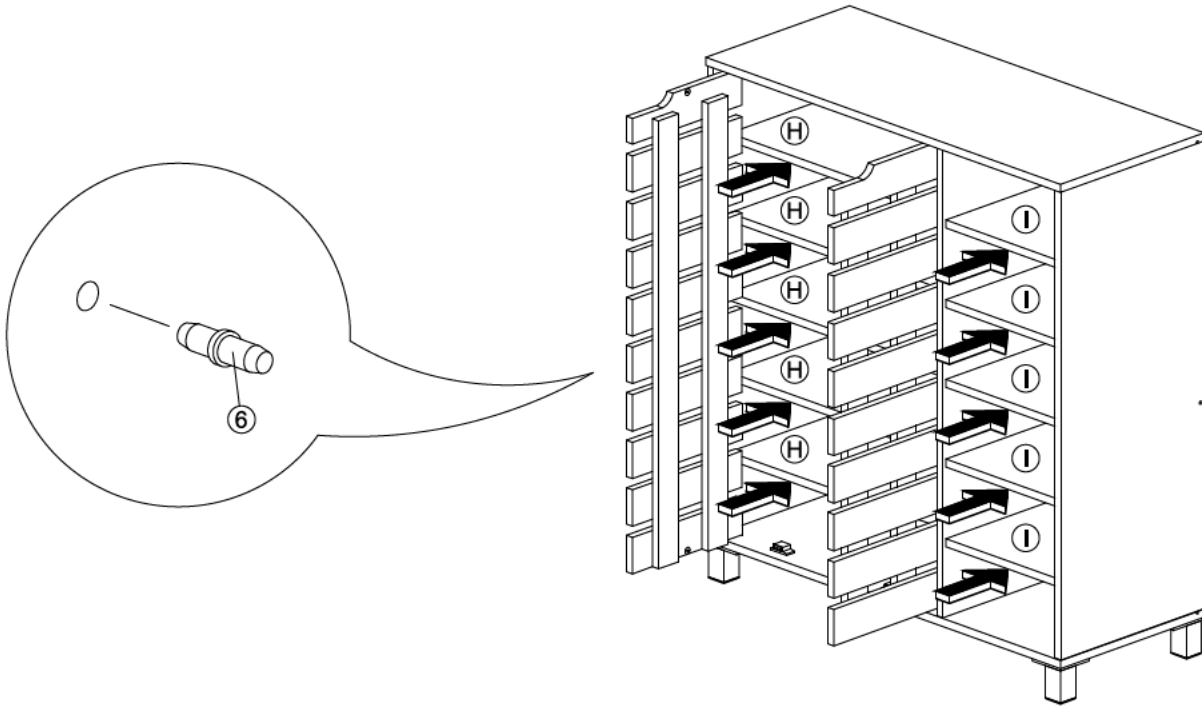


STEP 13

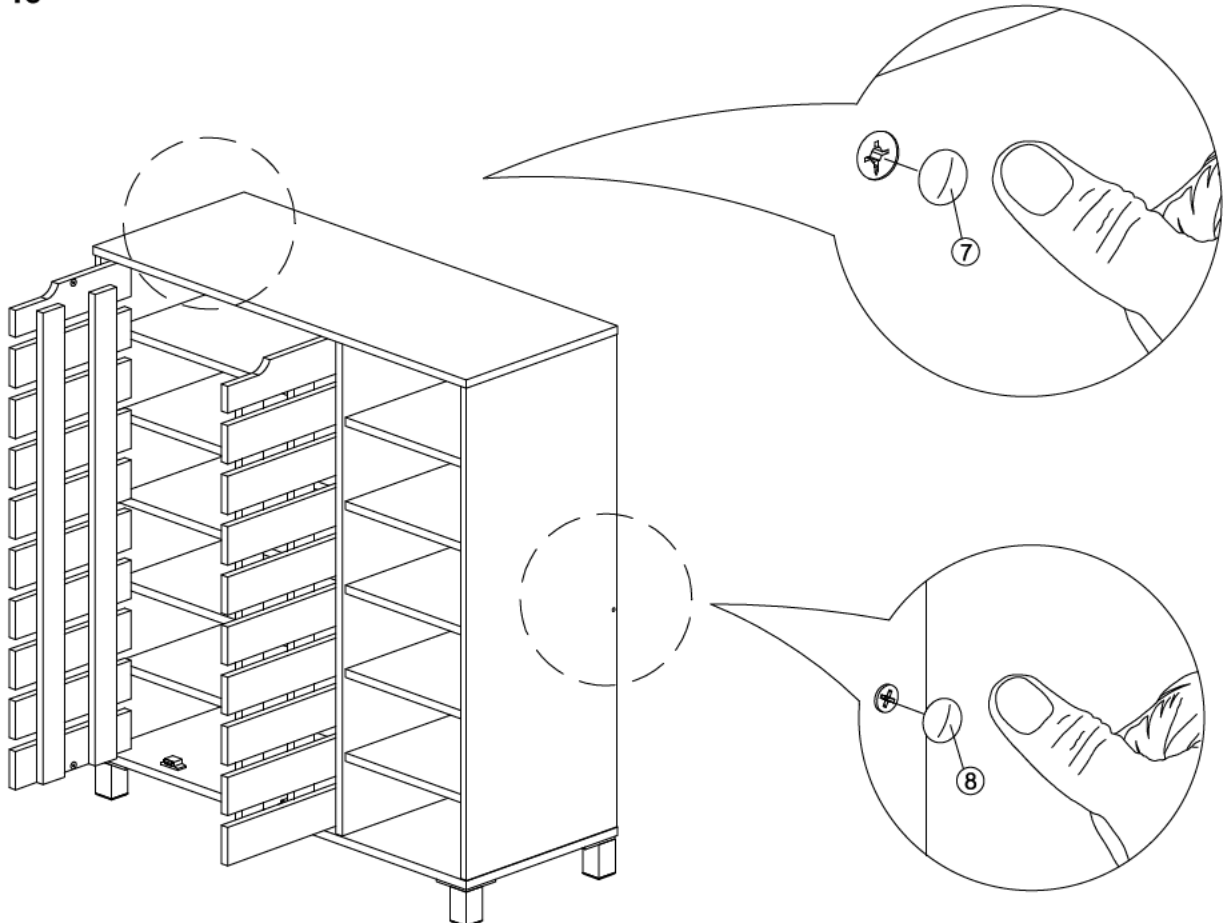


Assembly Instruction

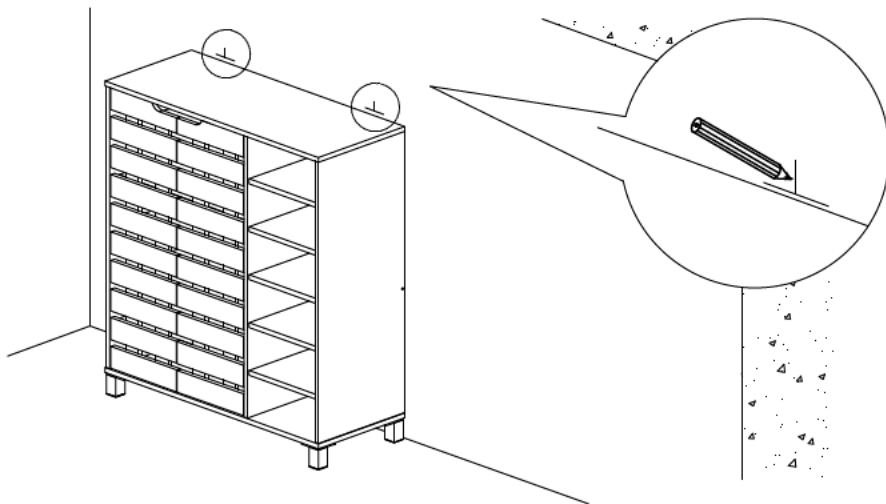
STEP 14



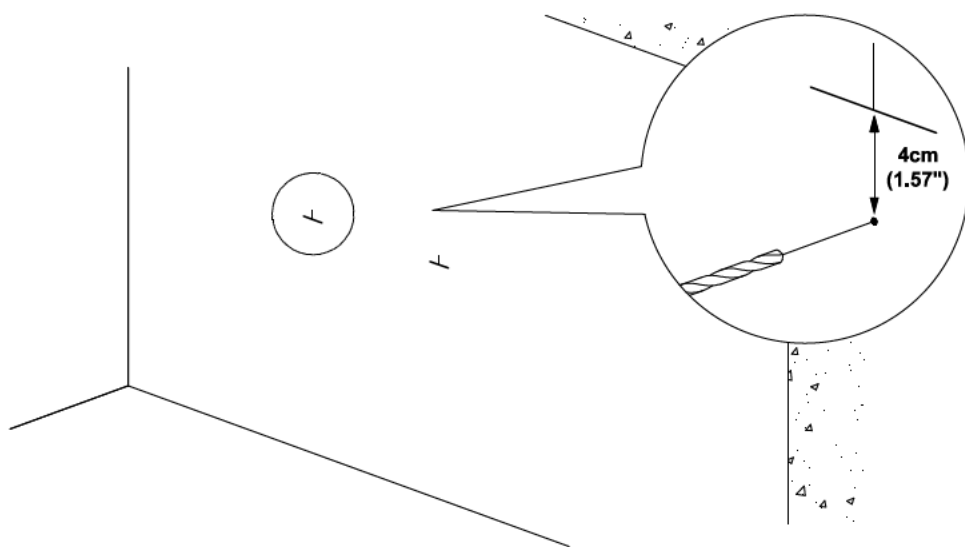
STEP 15



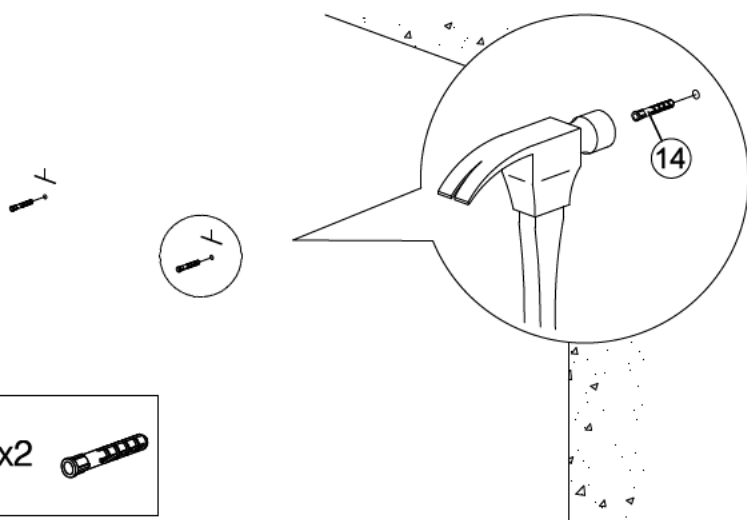
FURNITURE TIPPING RESTRAINT



1. First mark the wall with pencil as in diagram.



2. Drill small hole at the pencil mark.

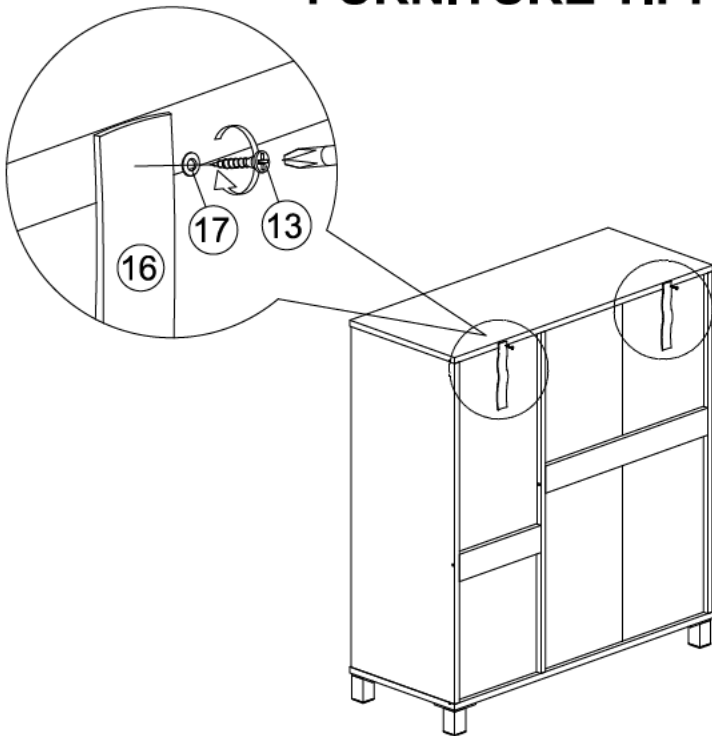


3. Insert plastic wall plug (14).

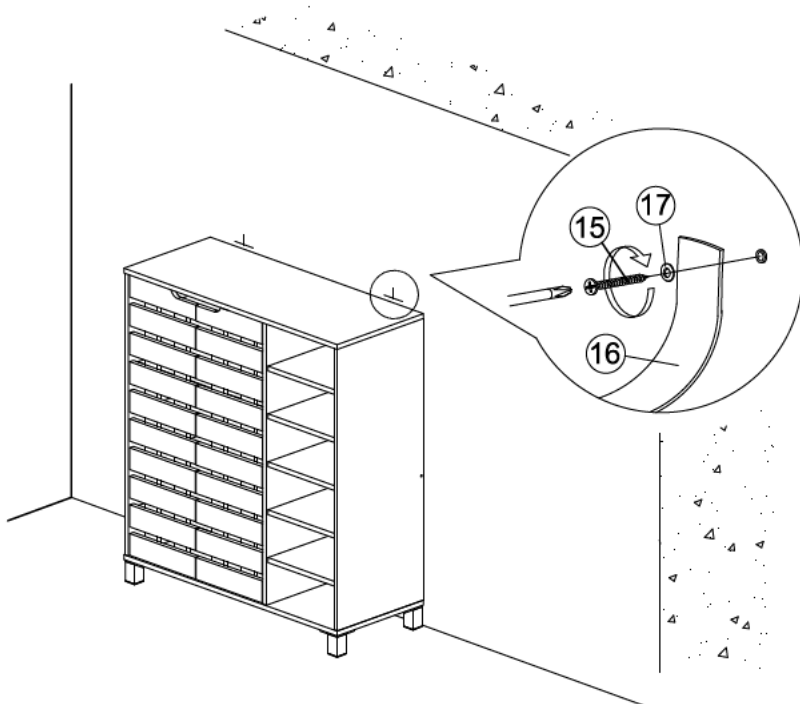
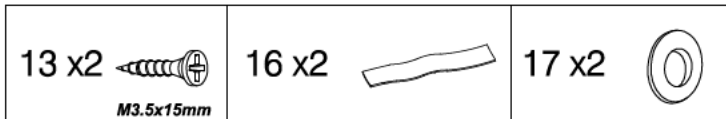
14 x2



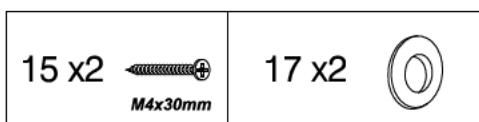
FURNITURE TIPPING RESTRAINT

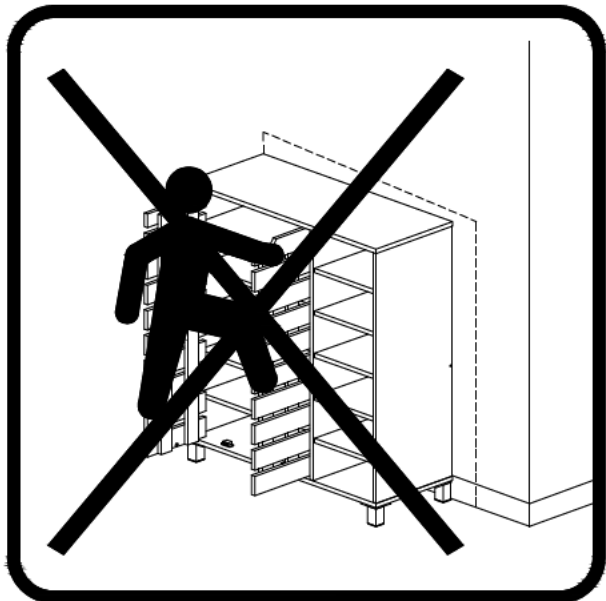
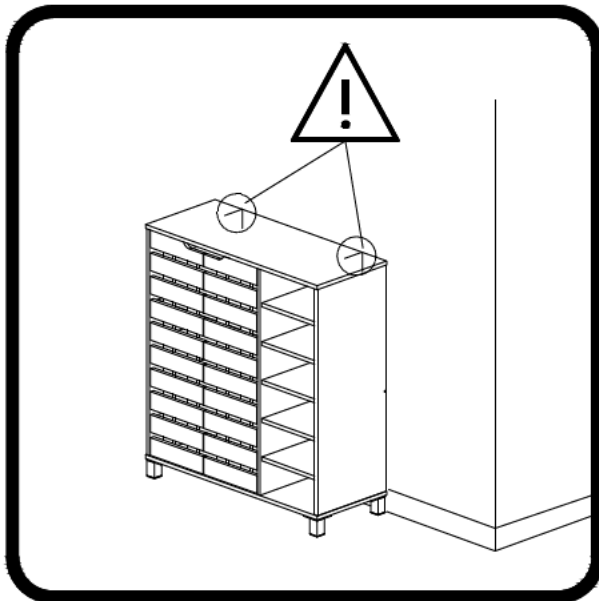


4. Add safety strap (16), washer (17) using 3.5x15mm screw (13) to back of cabinet.



5. Finally, attach safety strap (16) and washer (17) using 4x30mm screw (15) to the wall.





⚠ WARNING	
	<p>Children have died from furniture tipover. To reduce the risk of furniture tipover:</p> <ul style="list-style-type: none">• ALWAYS install tipover restraint provided.• NEVER put a TV on this product.• NEVER allow children to stand, climb or hang on drawers, doors, or shelves.• NEVER open more than one drawer at a time.• Place heaviest items in the lowest drawers. <p><i>This is a permanent label. Do not remove!</i></p>
	



Anti-Topple hardware included for added safety and stability