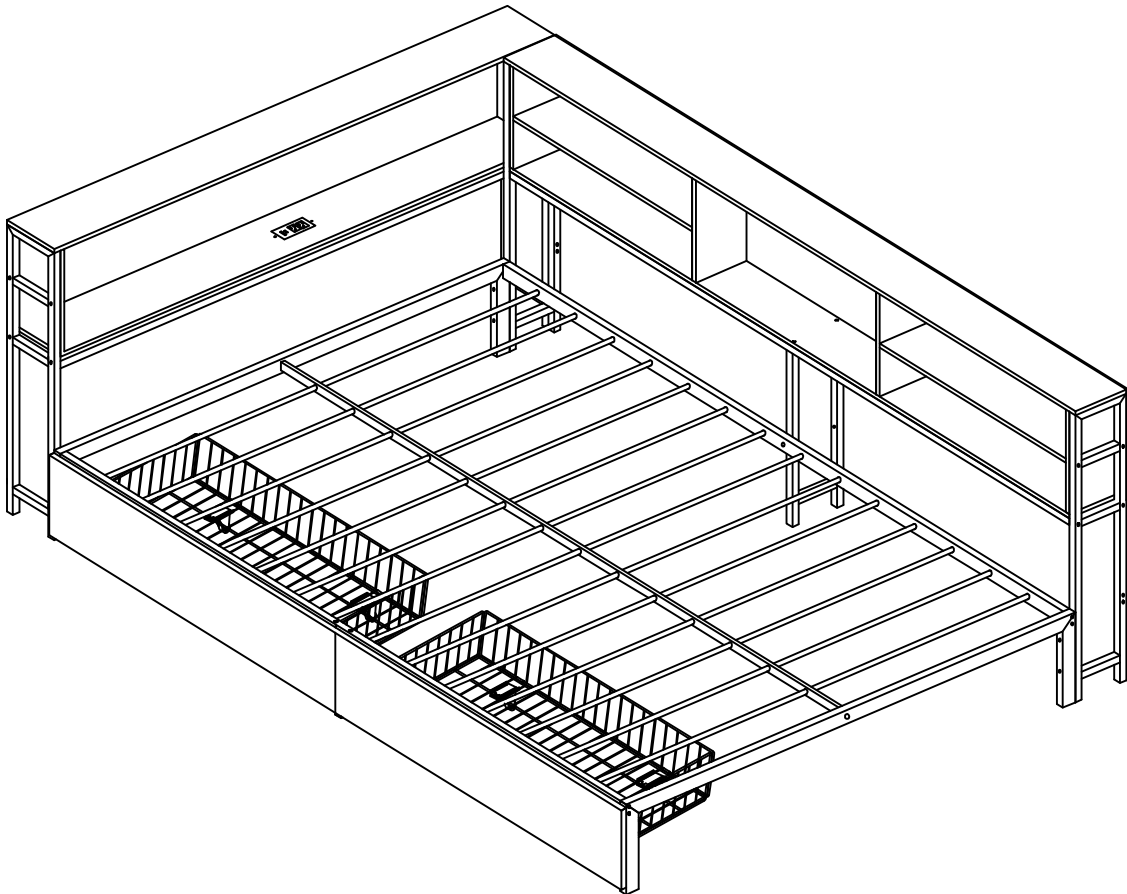


ASSEMBLY INSTRUCTION

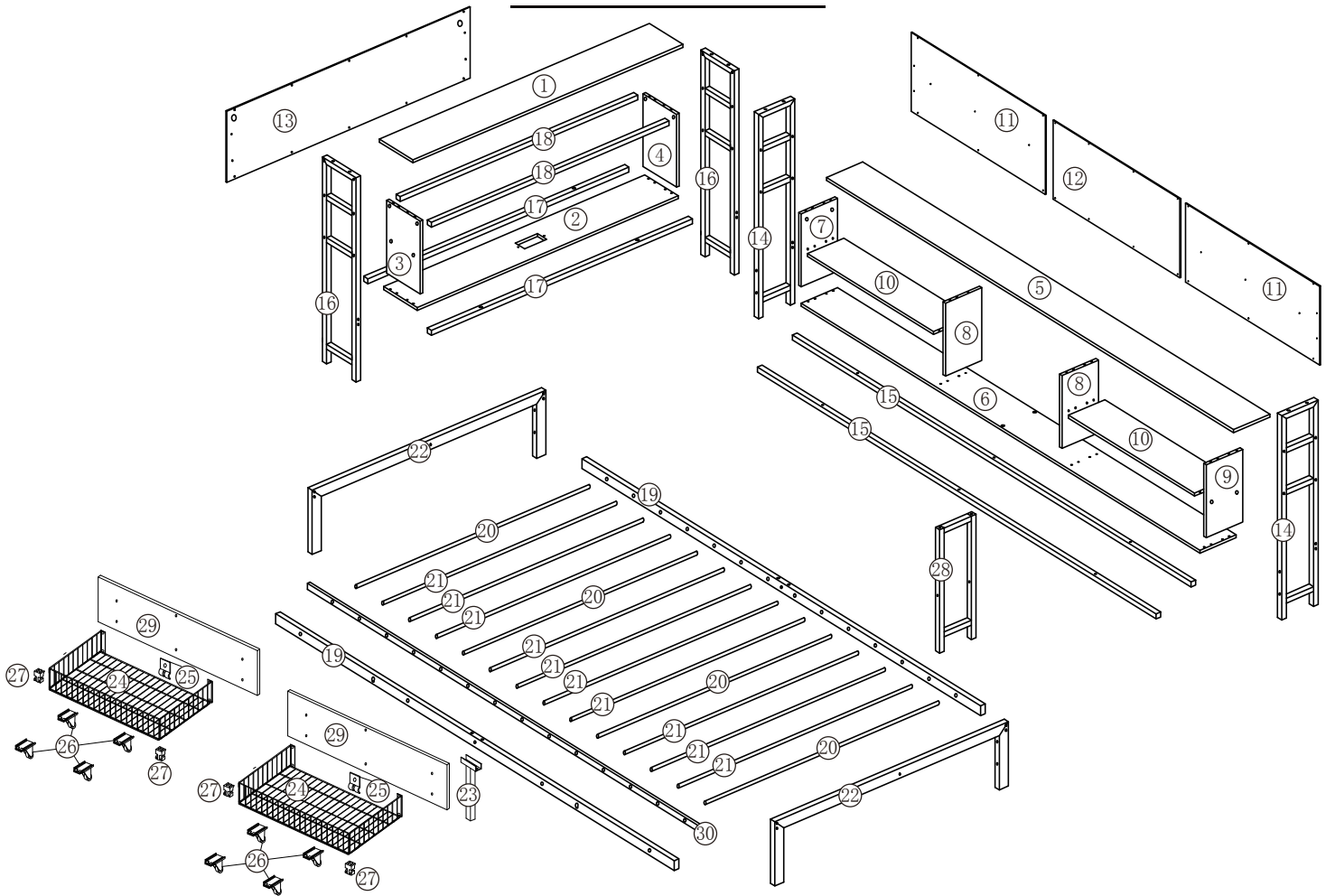
Bed Frame with Bookcase Storage

Keep this document for reference in case parts are needed Do not tighten all bolts until the bed is assembled completely. Hardware pack attached in the package in red plastic bag.

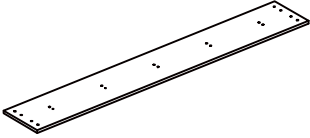
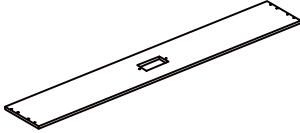
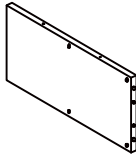
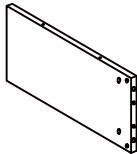
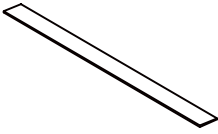
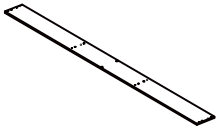
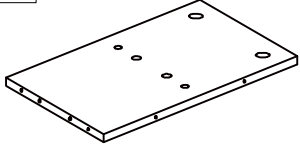
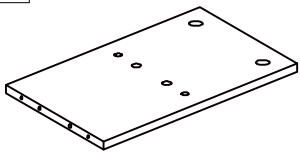
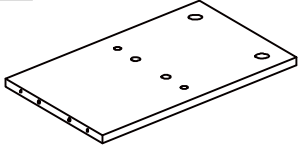
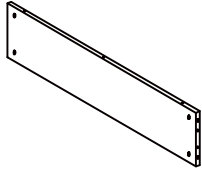
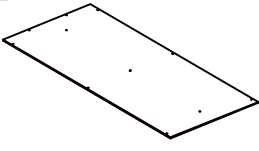
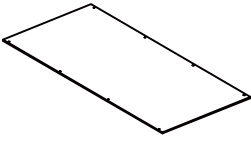
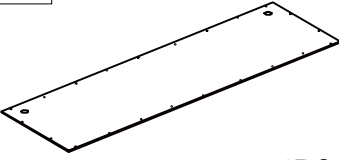
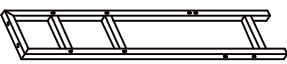
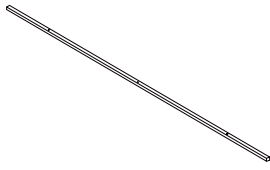
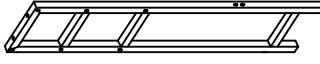
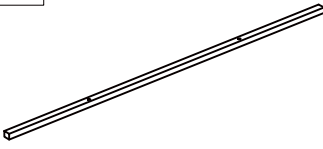
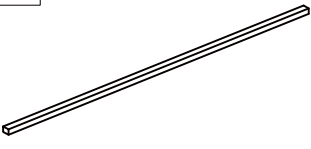
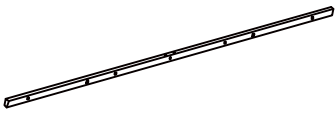


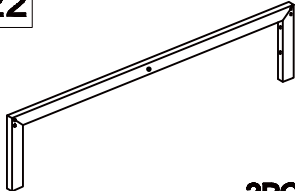
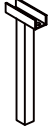
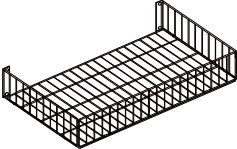
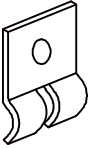
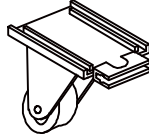


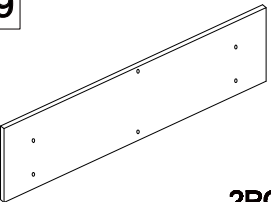

The plastic parts of the bed plate pipe must be pressed tightly.





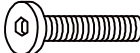


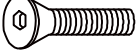


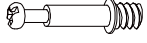
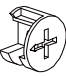



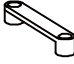
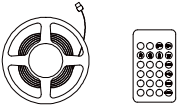
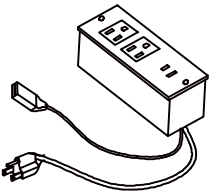
Detail View



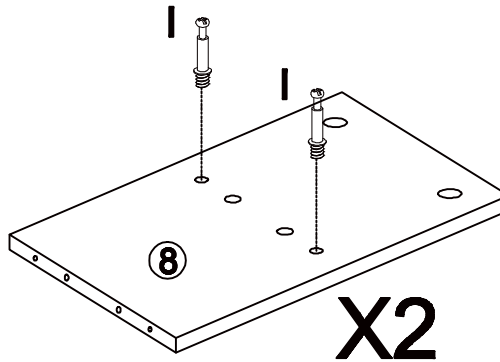
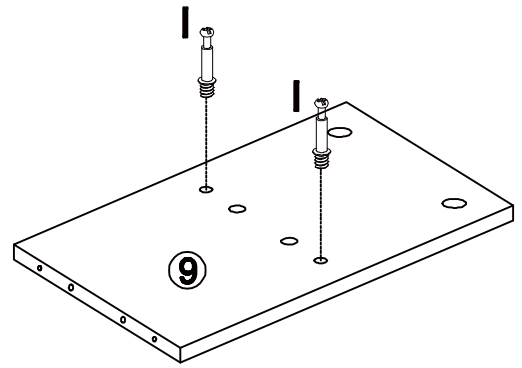
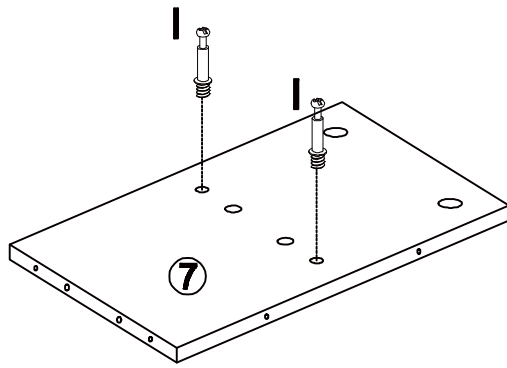
Part List

<p>1</p>  <p>1PC</p>	<p>2</p>  <p>1PC</p>	<p>3</p>  <p>1PC</p>	<p>4</p>  <p>1PC</p>
<p>5</p>  <p>1PC</p>	<p>6</p>  <p>1PC</p>	<p>7</p>  <p>1PC</p>	<p>8</p>  <p>2PCS</p>
<p>9</p>  <p>1PC</p>	<p>10</p>  <p>2PCS</p>	<p>11</p>  <p>2PCS</p>	<p>12</p>  <p>1PC</p>
<p>13</p>  <p>1PC</p>	<p>14</p>  <p>2PCS</p>	<p>15</p>  <p>2PCS</p>	<p>16</p>  <p>2PCS</p>
<p>17</p>  <p>2PCS</p>	<p>18</p>  <p>2PCS</p>	<p>19</p>  <p>2PCS</p>	<p>20</p>  <p>4PCS</p>
<p>21</p>  <p>10PCS</p>	<p>22</p>  <p>2PCS</p>	<p>23</p>  <p>1PC</p>	<p>24</p>  <p>2PCS</p>
<p>25</p>  <p>2PCS</p>	<p>26</p>  <p>8PCS</p>	<p>27</p>  <p>4PCS</p>	<p>28</p>  <p>1PC</p>
<p>29</p>  <p>2PCS</p>	<p>30</p>  <p>1PC</p>		

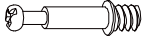
Hardware List

<p>A</p>  <p>M6X12mm 10pcs</p>	<p>B</p>  <p>M6X15mm 10pcs</p>	<p>C</p>  <p>M6X35mm 5pcs</p>	<p>D</p>  <p>M6X60mm 2pcs</p>
<p>E</p>  <p>M6X17mm 9pcs</p>	<p>F</p>  <p>M6X28mm 24pcs</p>	<p>G</p>  <p>M6X40mm 16 pcs</p>	<p>H</p>  <p>M6X50mm 10pcs</p>
<p>I</p>  <p>φ6x35mm 20pcs</p>	<p>J</p>  <p>φ15x10mm 20pcs</p>	<p>K</p>  <p>φ6x30mm 32pcs</p>	<p>L</p>  <p>M4X35mm 12pcs</p>
<p>M</p> <p>M4X12mm 64pcs</p>	<p>N</p>  <p>M4 2pcs</p>	<p>O</p>  <p>5pcs</p>	<p>P</p>  <p>1pc</p>
<p>Q</p>  <p>1pc</p>			

STEP 1



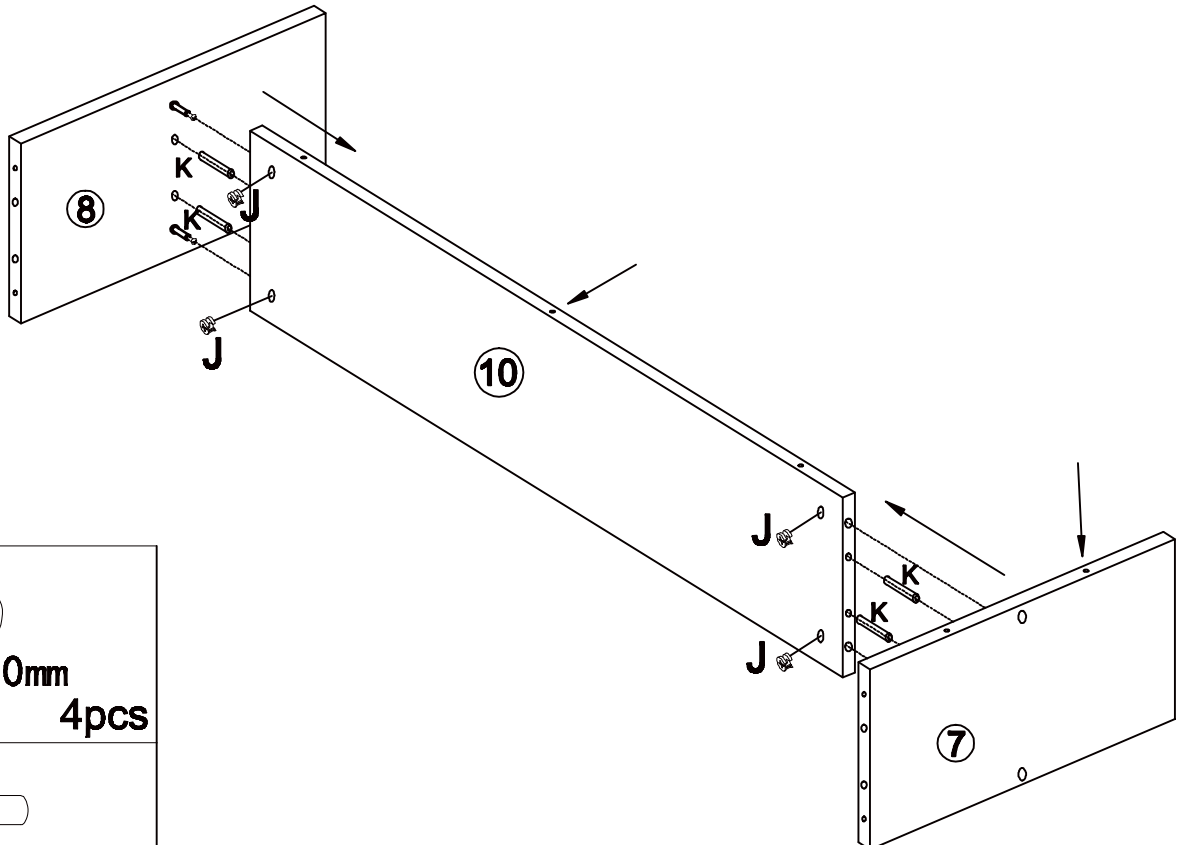
I



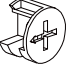
$\phi 6 \times 35 \text{mm}$

8pcs

STEP 2




J



$\phi 15 \times 10 \text{mm}$

4pcs

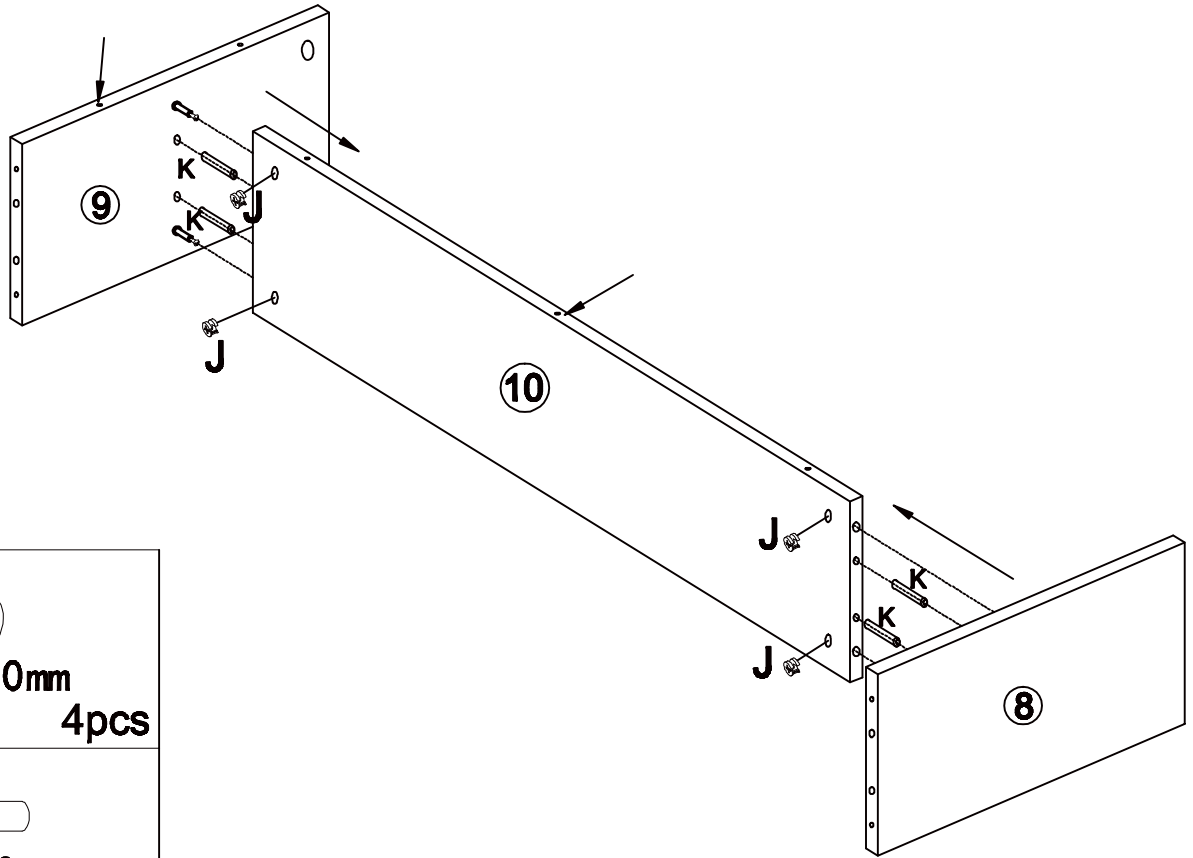
K



$\phi 6 \times 30 \text{mm}$

4pcs

STEP 3



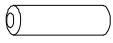
J



$\phi 15 \times 10 \text{mm}$

4pcs

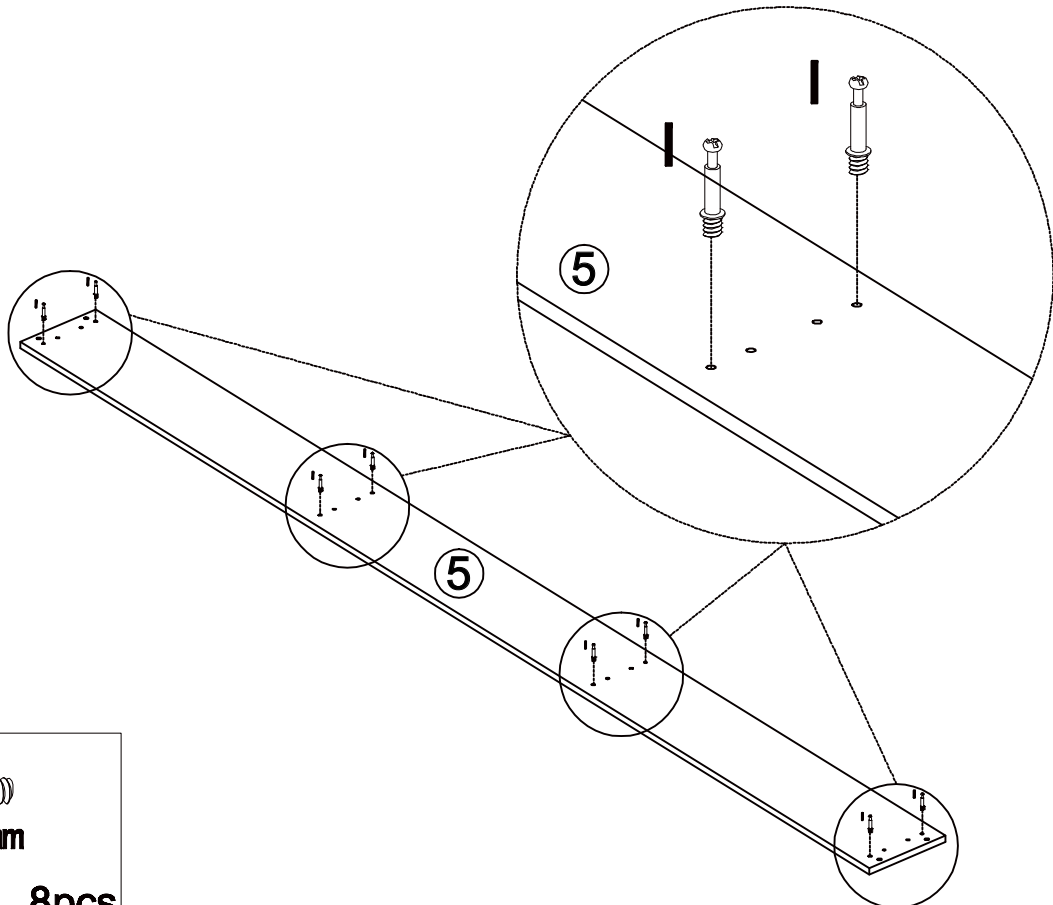
K



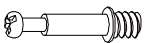
$\phi 6 \times 30 \text{mm}$

4pcs

STEP 4



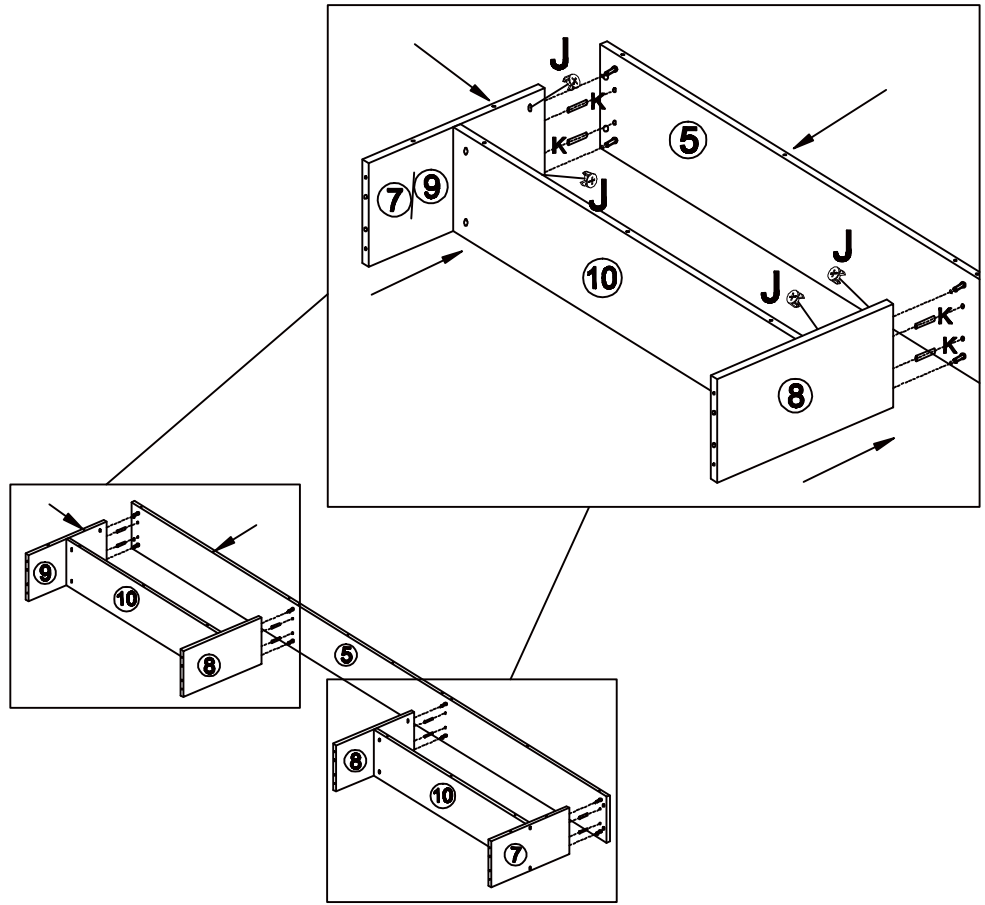
I




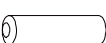
$\phi 6 \times 35 \text{mm}$

8pcs

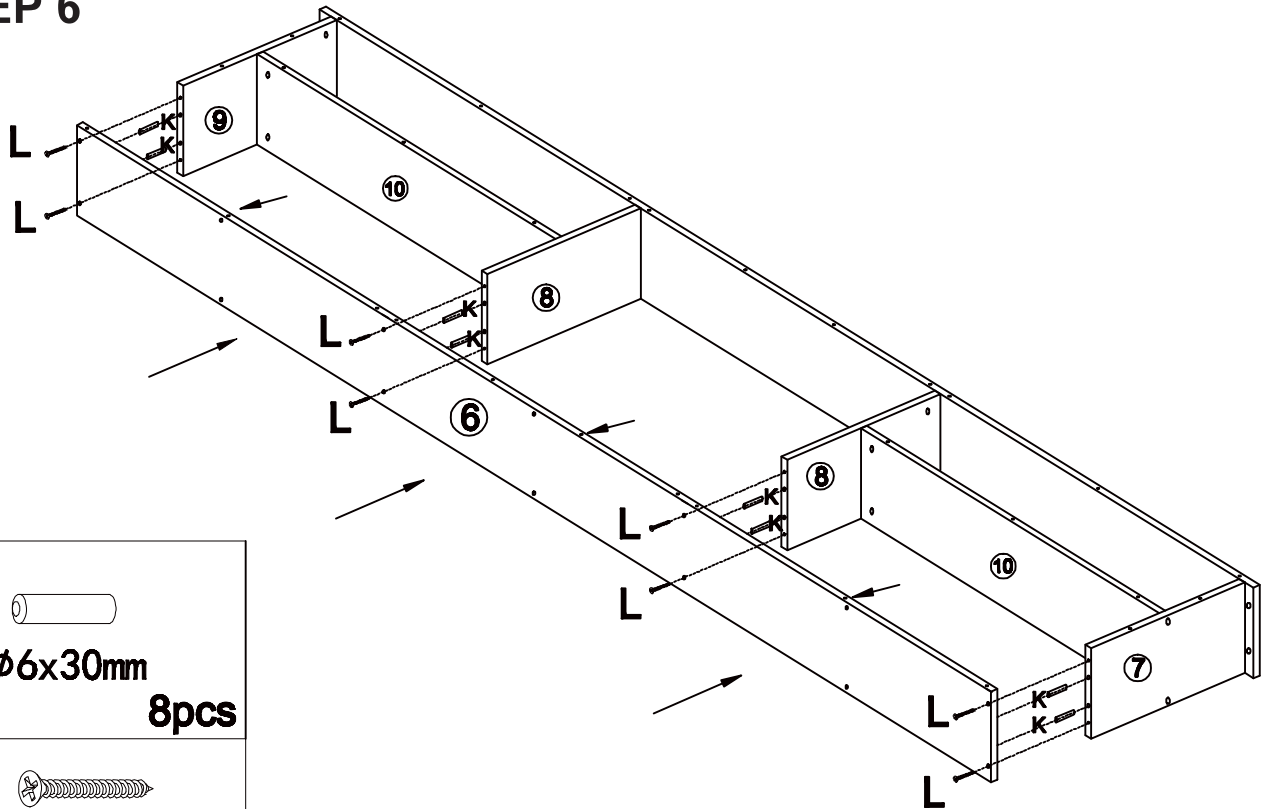
STEP 5

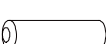



J

Ø15x10mm
8pcs

K

Ø6x30mm
8pcs

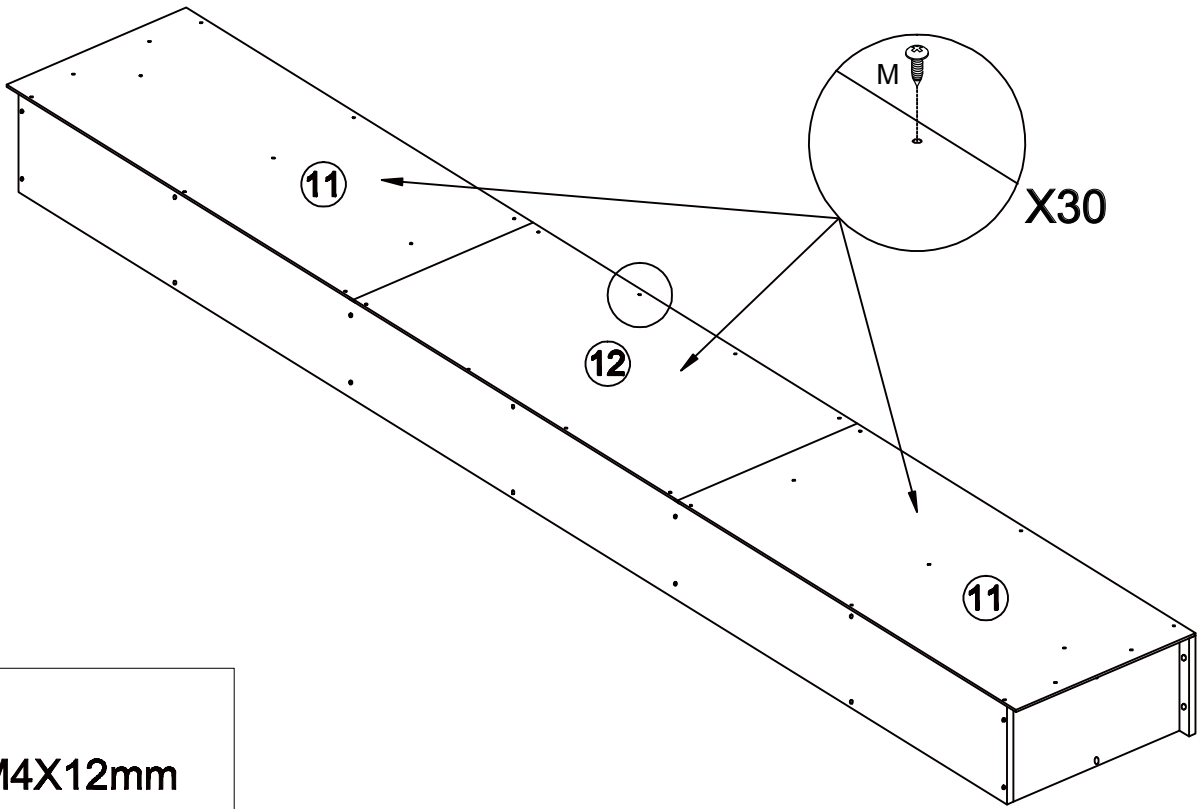
STEP 6



K

Ø6x30mm
8pcs

L

M4X35mm
8pcs

STEP 7

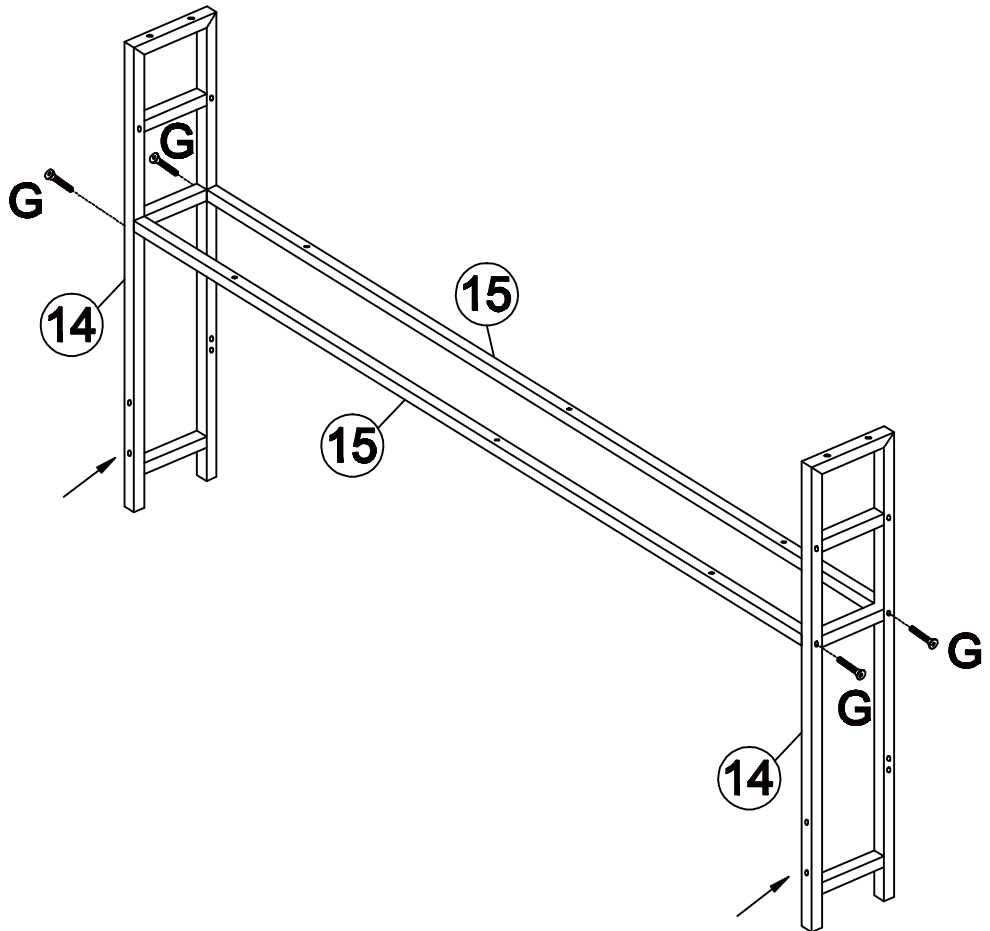


M

M4X12mm

30pcs

STEP 8



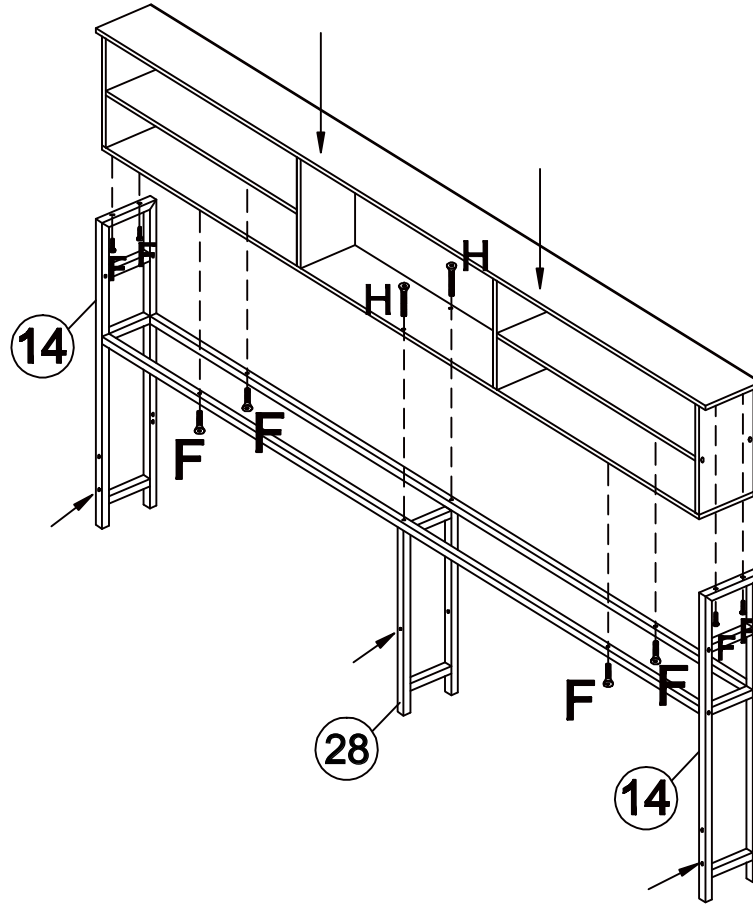
G



M6X40mm

4pcs

STEP 9



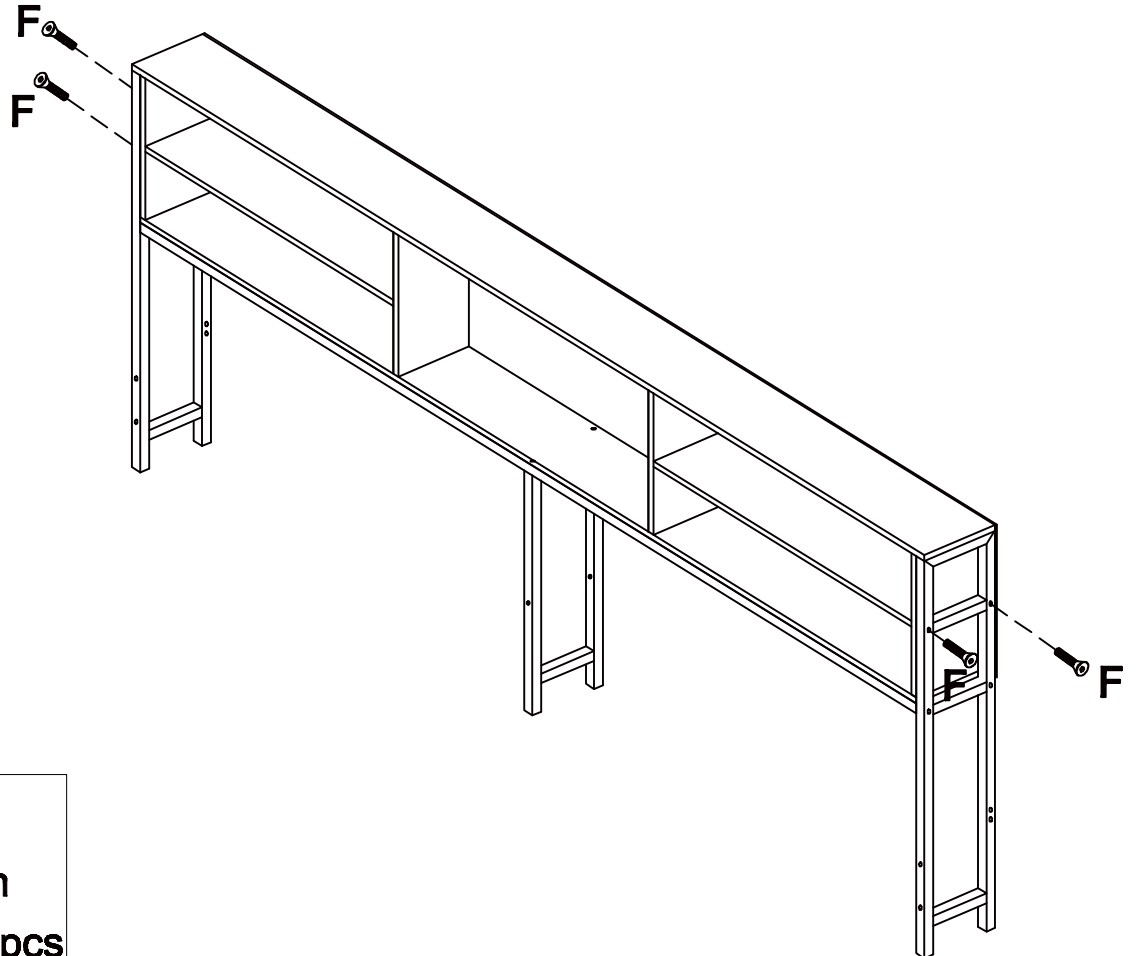
F

M6X28mm
8pcs

H

M6X50mm
2pcs

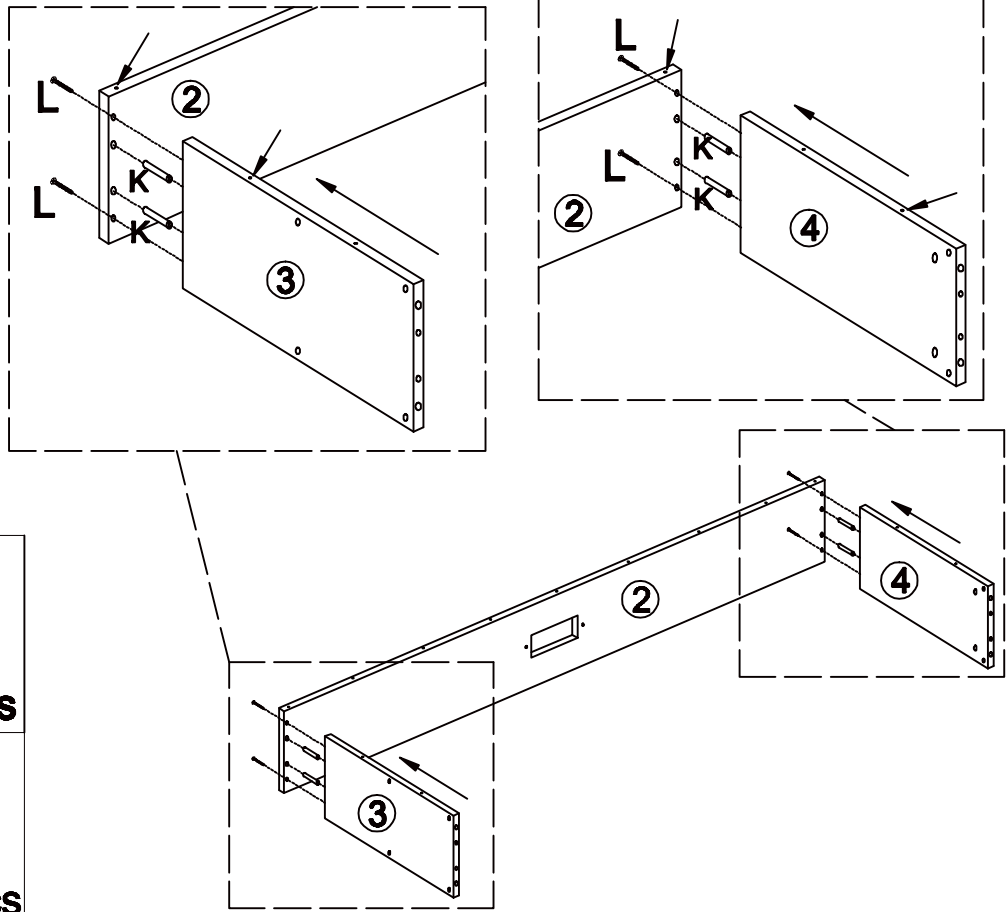
STEP 10





F

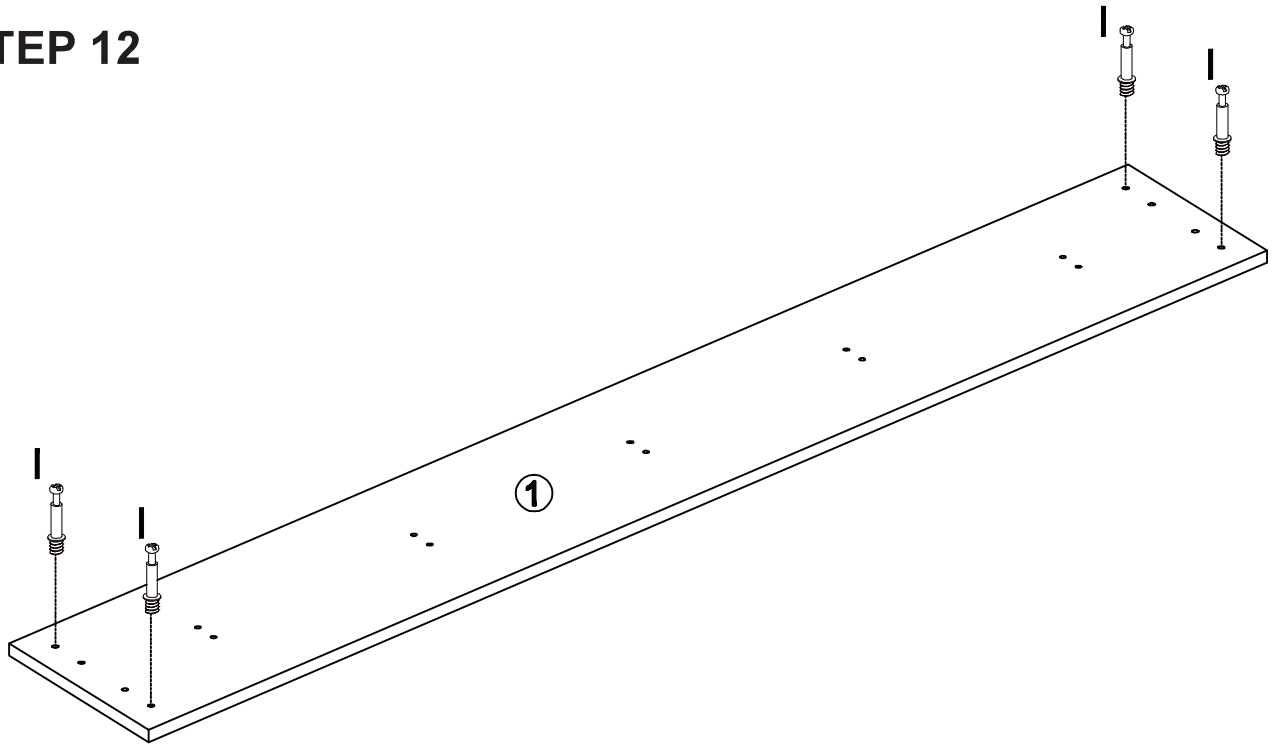
M6X28mm
4pcs

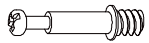
STEP 11



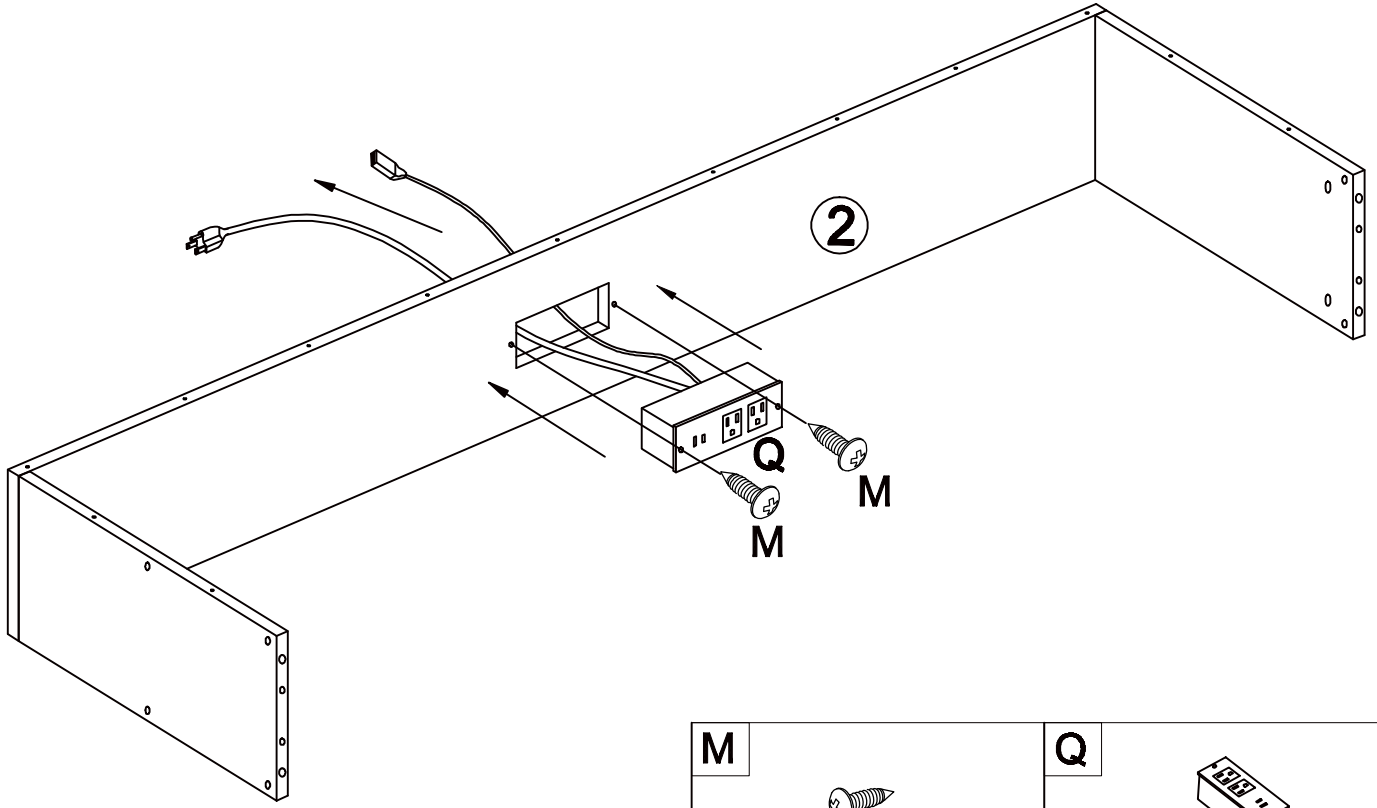
- K**

 $\phi 6 \times 30 \text{mm}$
4pcs
- L**

M4X35mm
4pcs


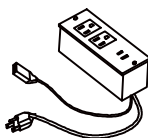
STEP 12



- I**

 $\phi 6 \times 35 \text{mm}$
4pcs

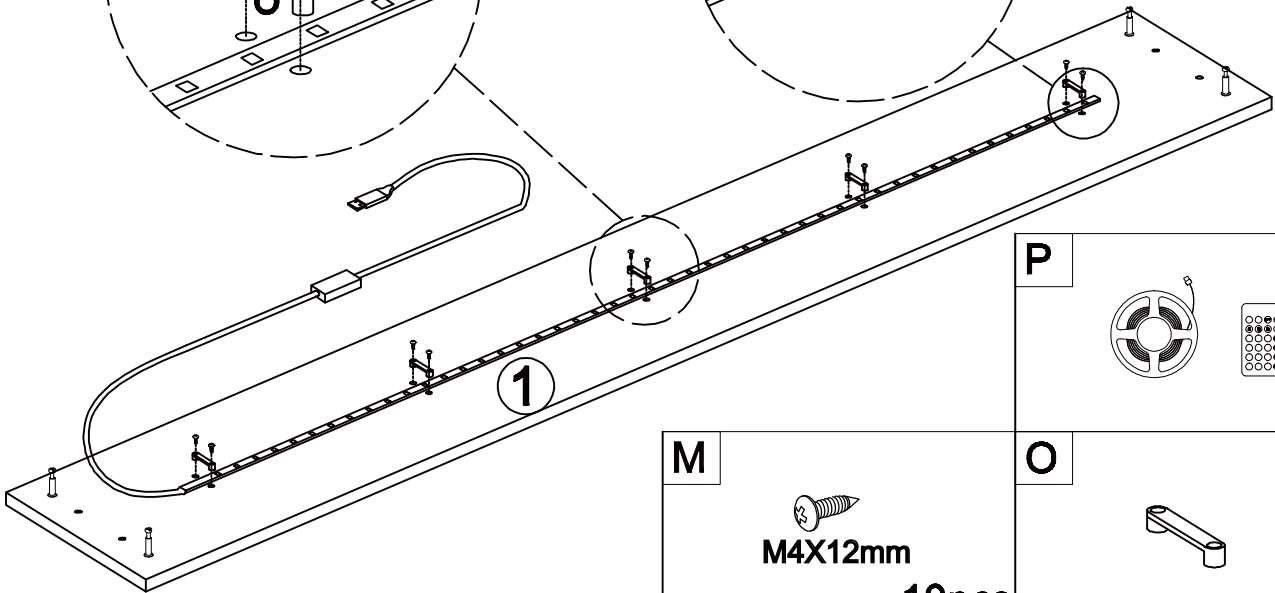
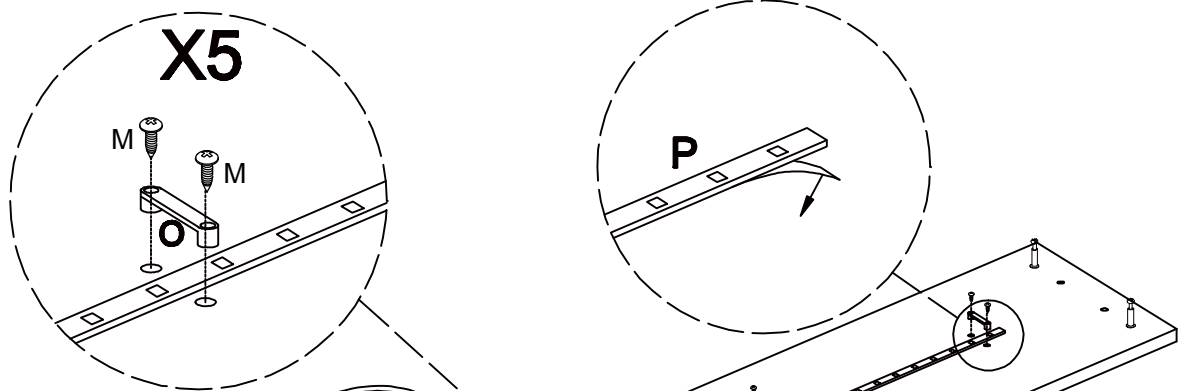
STEP 13


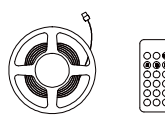
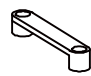


<p>M</p>  <p>M4X12mm</p> <p>2pcs</p>	<p>Q</p>  <p>1pc</p>
---	--

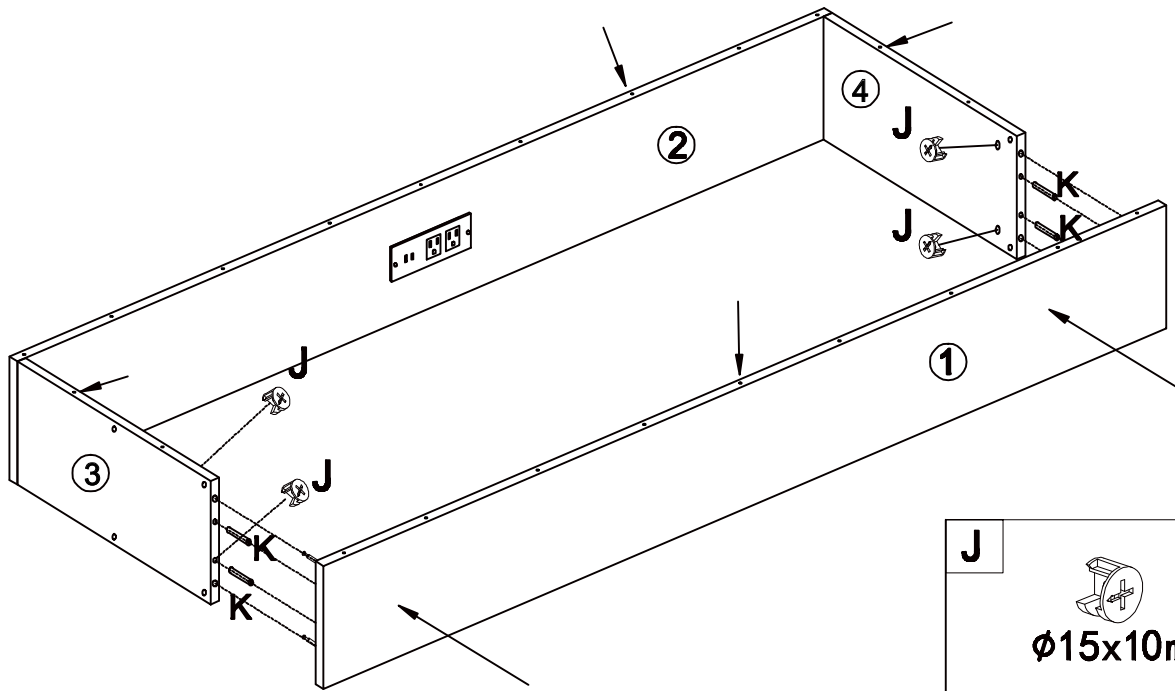
STEP 14

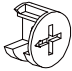
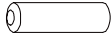
Tear off the sticky paper and stick it in the middle of the two holes, with both ends equidistant from the edges.



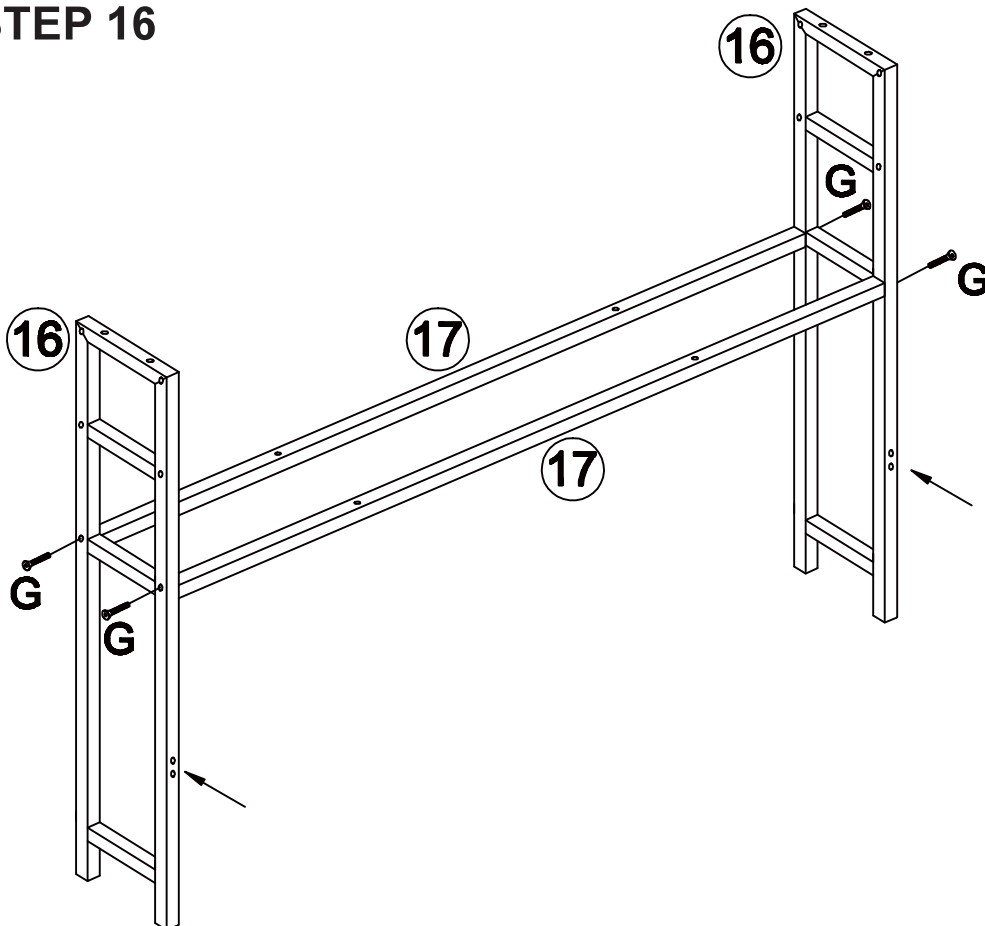
<p>M</p>  <p>M4X12mm</p> <p>10pcs</p>	<p>P</p>  <p>1pc</p>
<p>O</p>  <p>5pcs</p>	


STEP 15



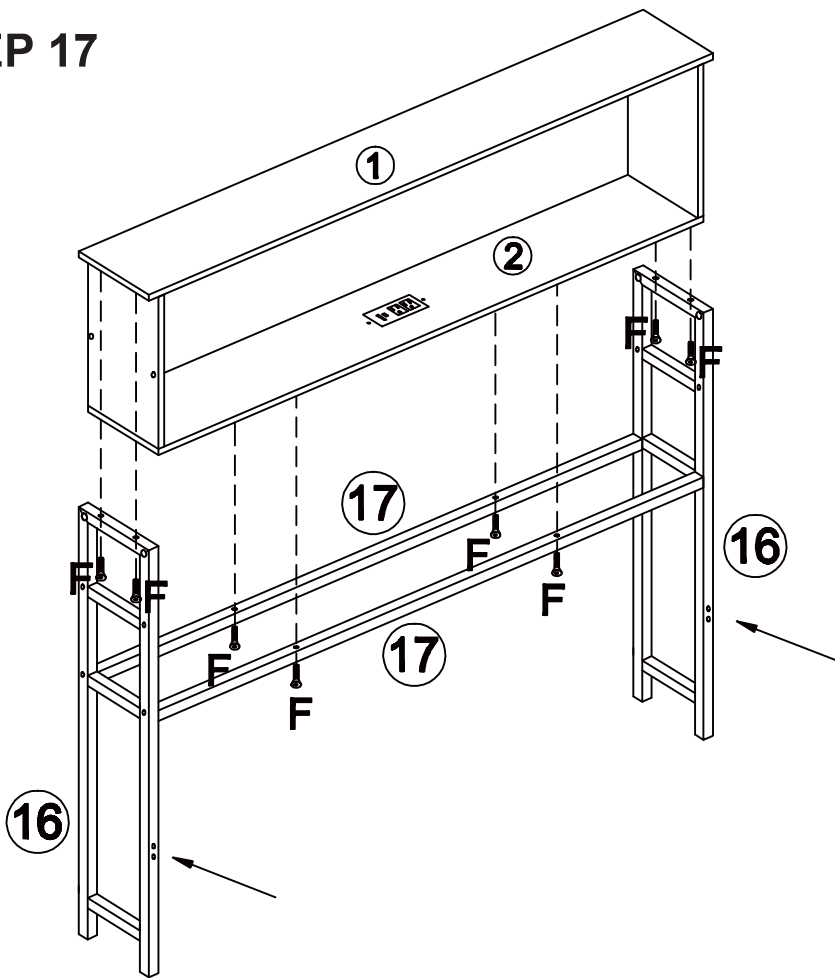
J	 Ø15x10mm 4pcs
K	 Ø6x30mm 4pcs

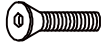
STEP 16



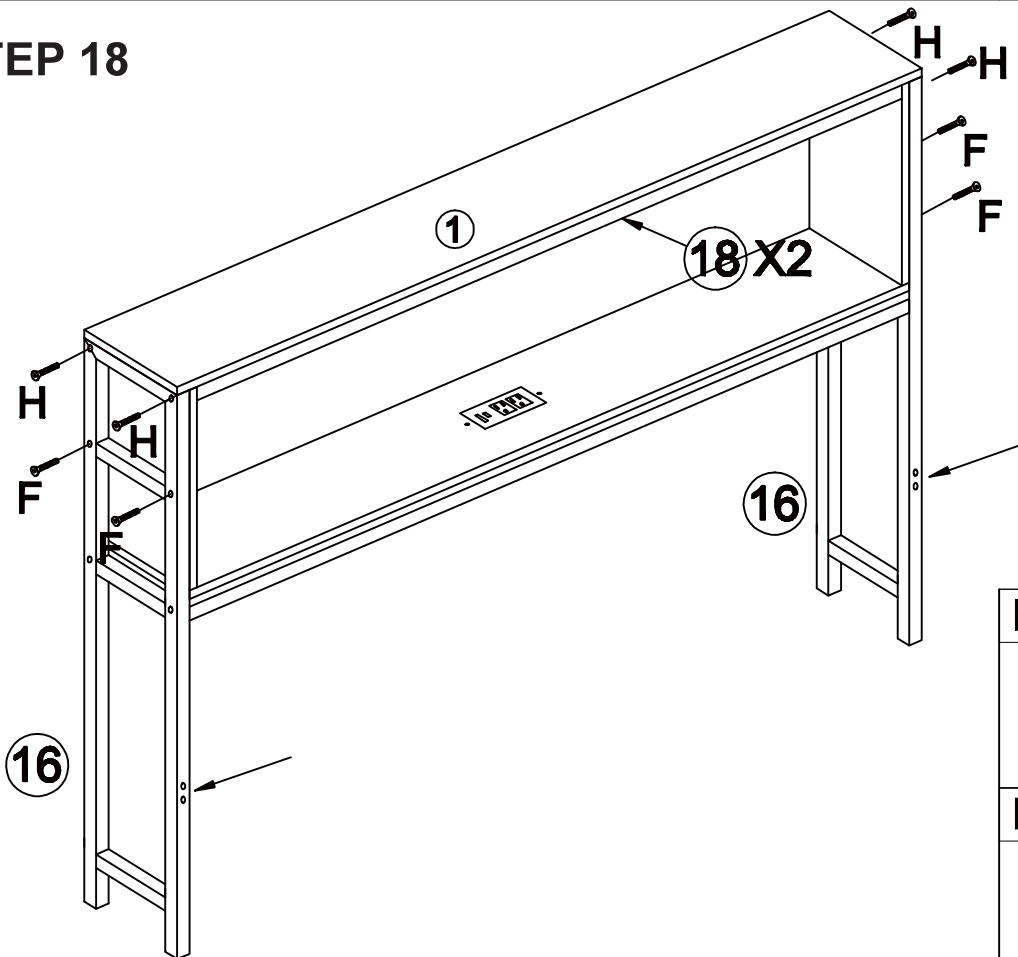
G	 M6X40mm 4pcs
---	--


STEP 17




F	
	M6X28mm
	8pcs

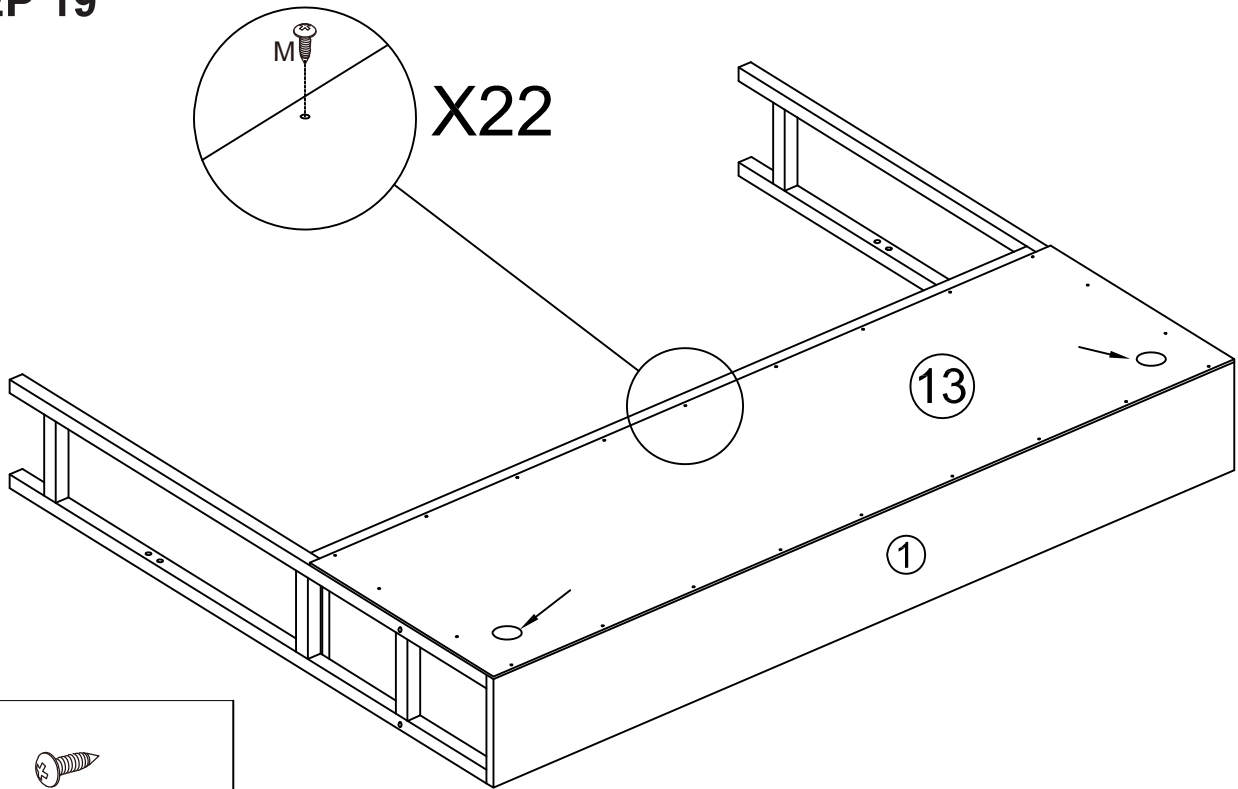
STEP 18



F	
	M6X28mm
	4pcs

H	
	M6X50mm
	4pcs

STEP 19

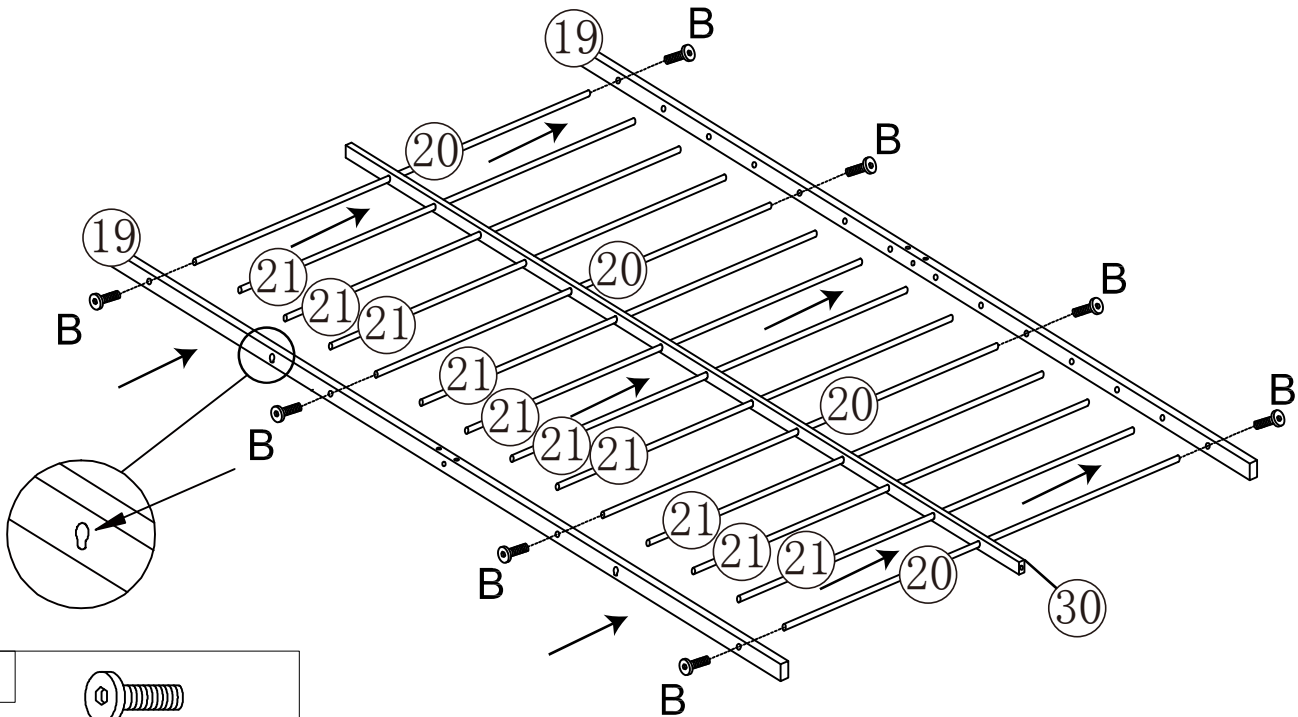


M

M4X12mm

22pcs

STEP 20

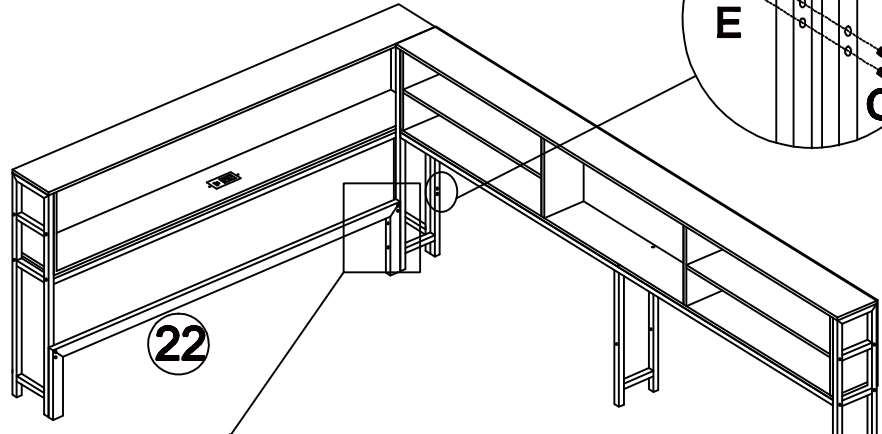
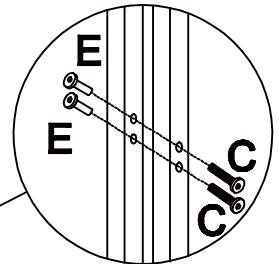


B

M6X15mm

8pcs

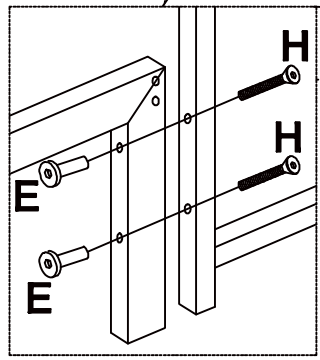
STEP 21



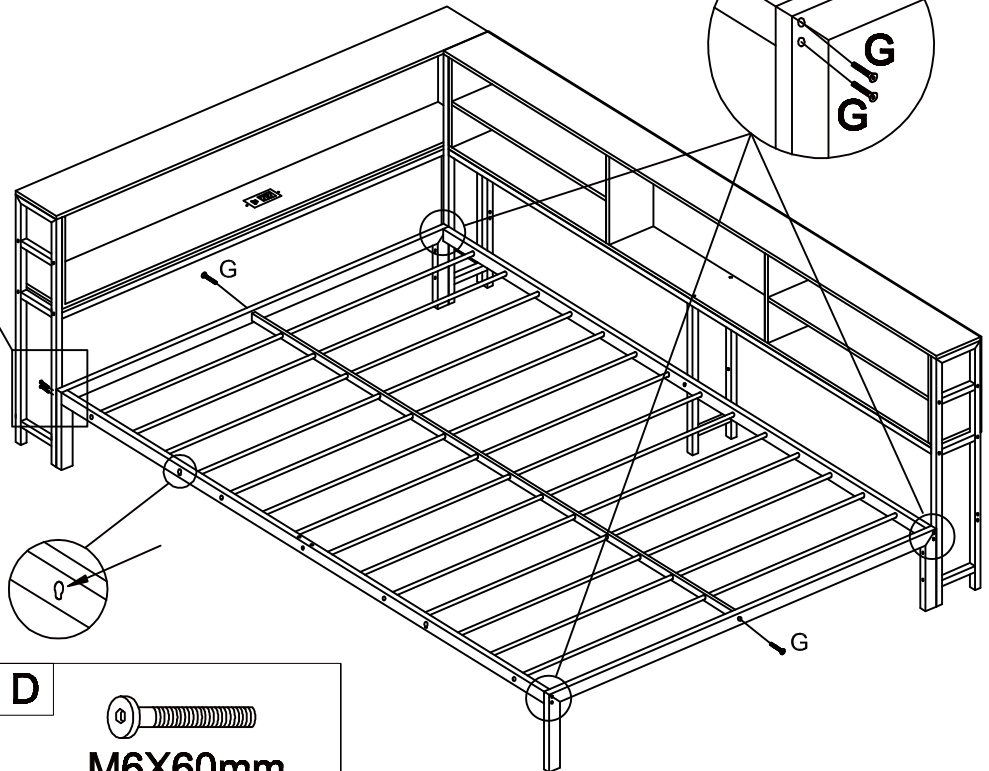
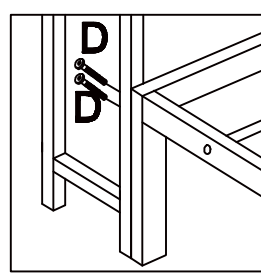
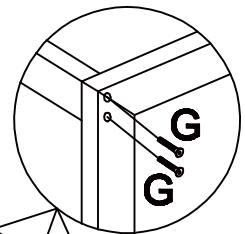
C
M6X35mm
2pcs

E
M6X17mm
6pcs

H
M6X50mm
4pcs



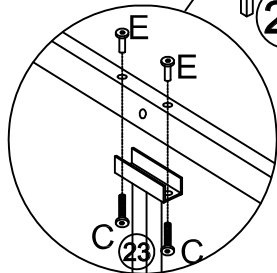
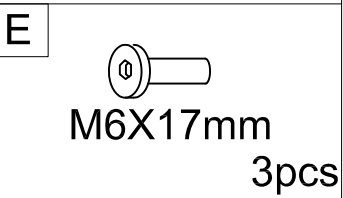
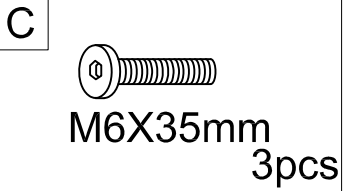
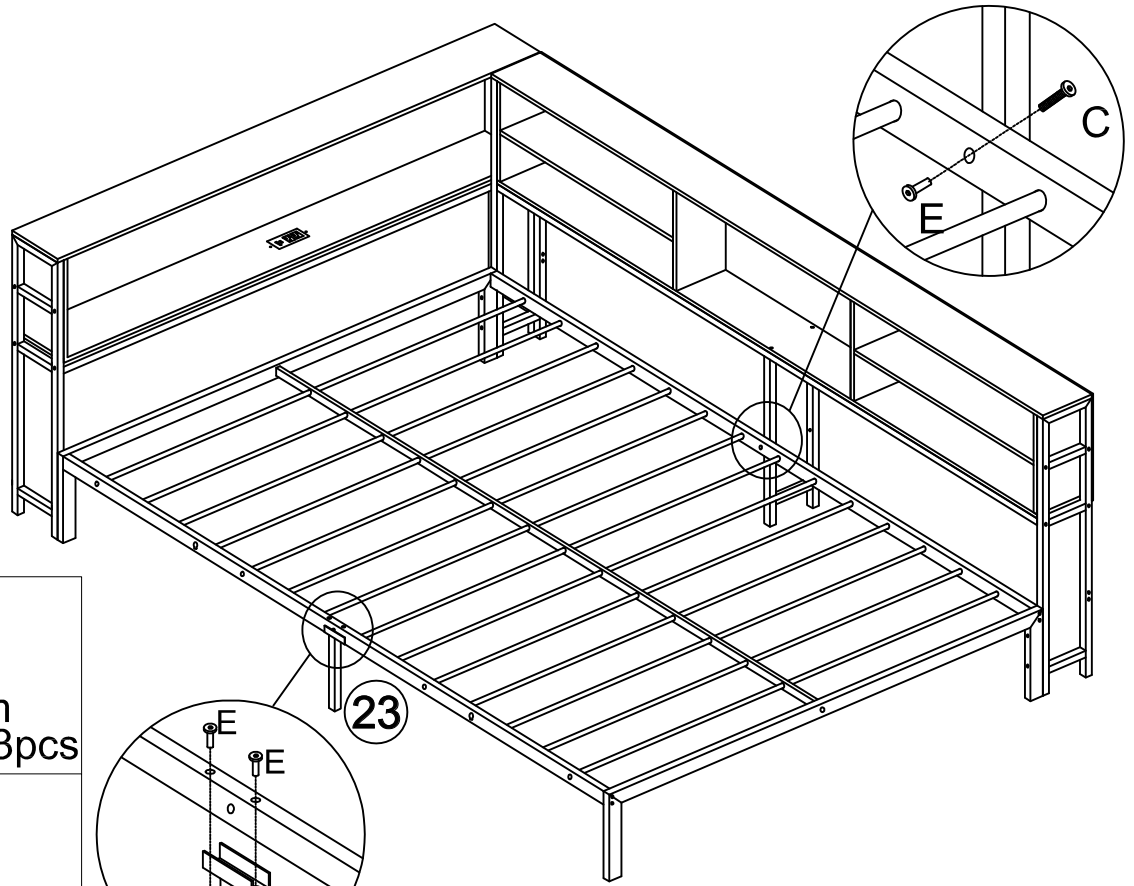
STEP 22



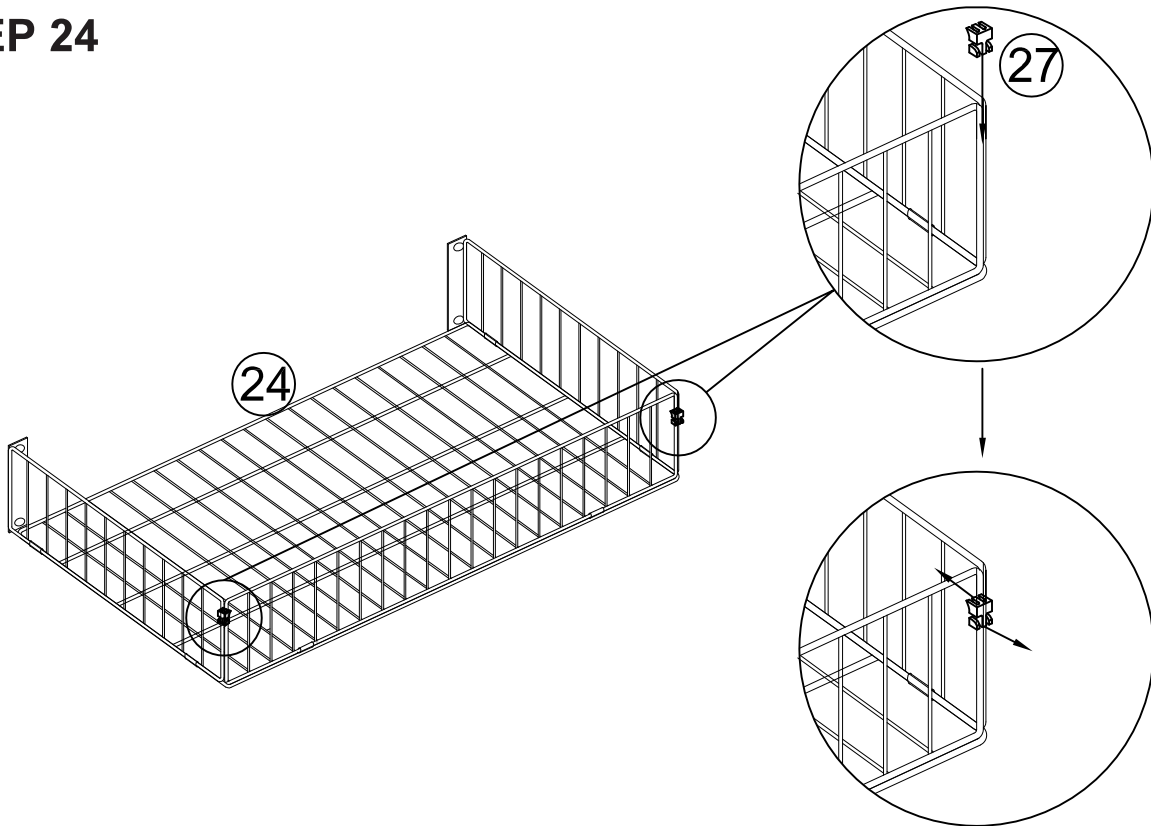
G
M6X40mm
8pcs

D
M6X60mm
2pcs

STEP 23

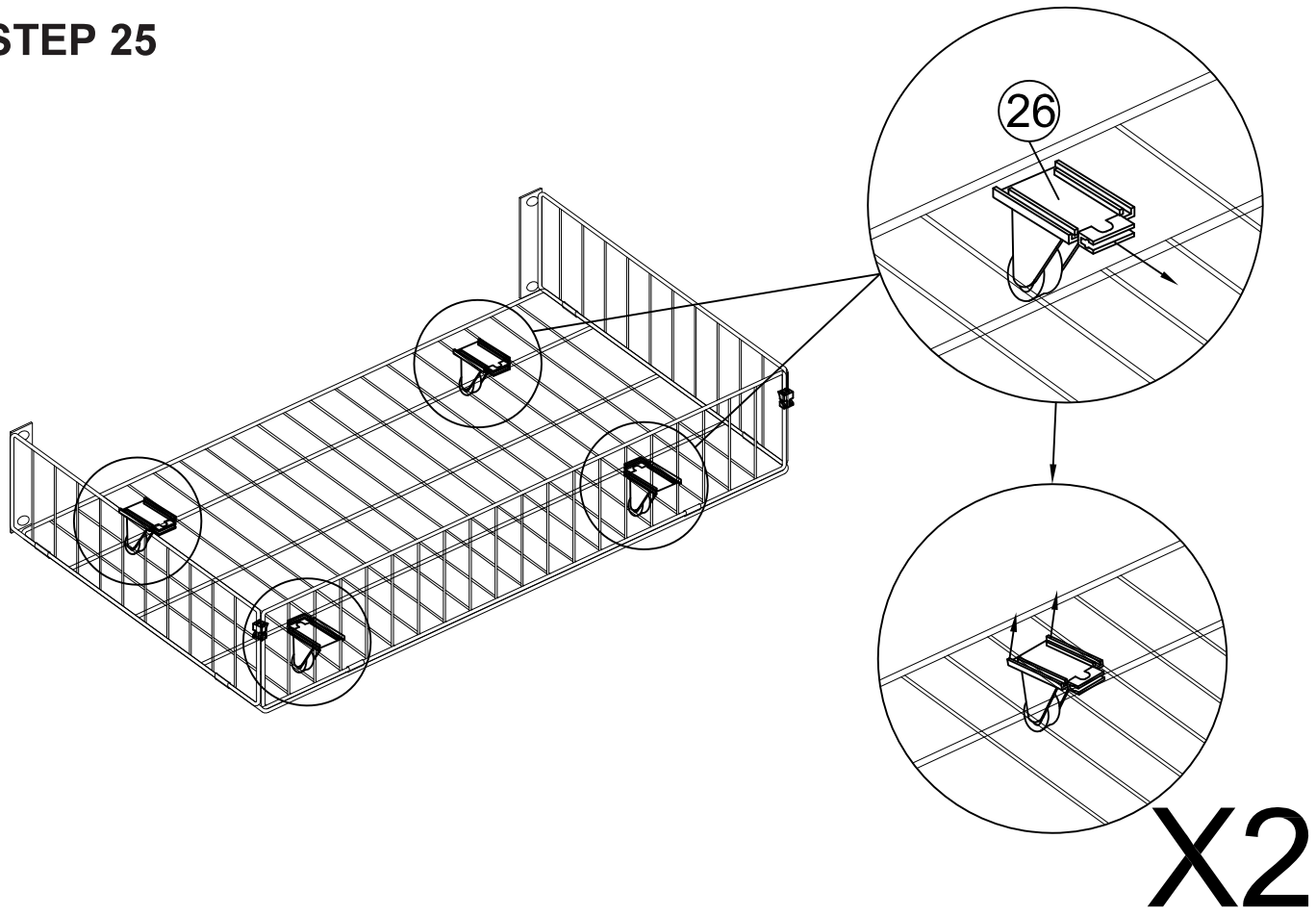


STEP 24



X2

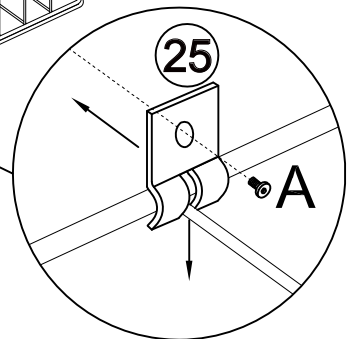
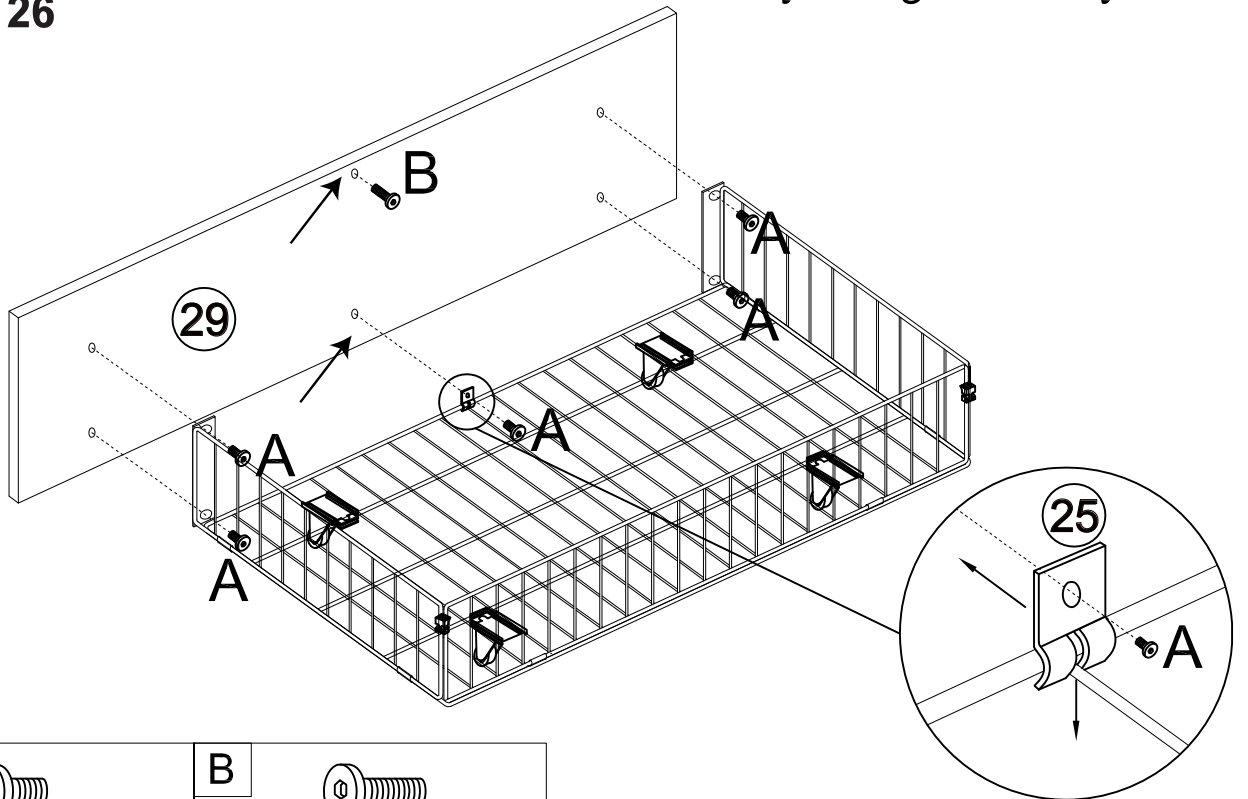
STEP 25



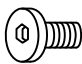
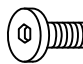
X2

STEP 26

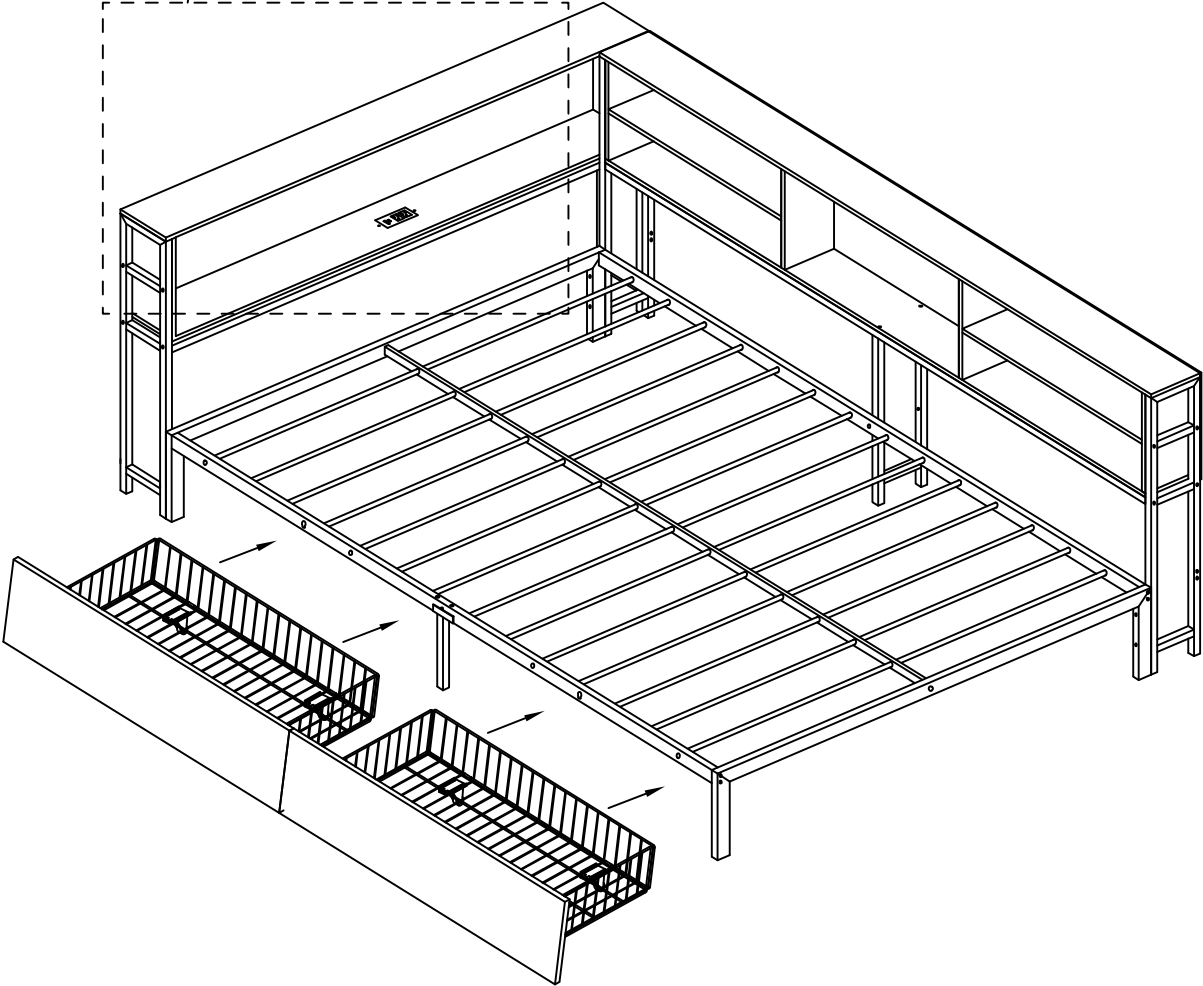
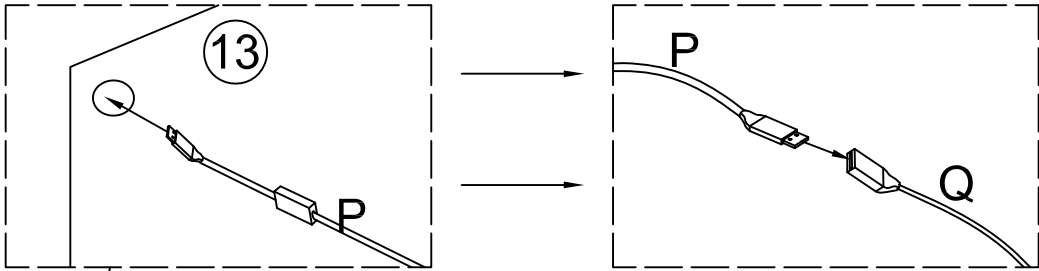
B screw can only be tightened by hand.



X2

A  M6X12mm 10pcs	B  M6X15mm 2pcs
---	--

STEP 27



Another way to assemble the bookcase on the bed

