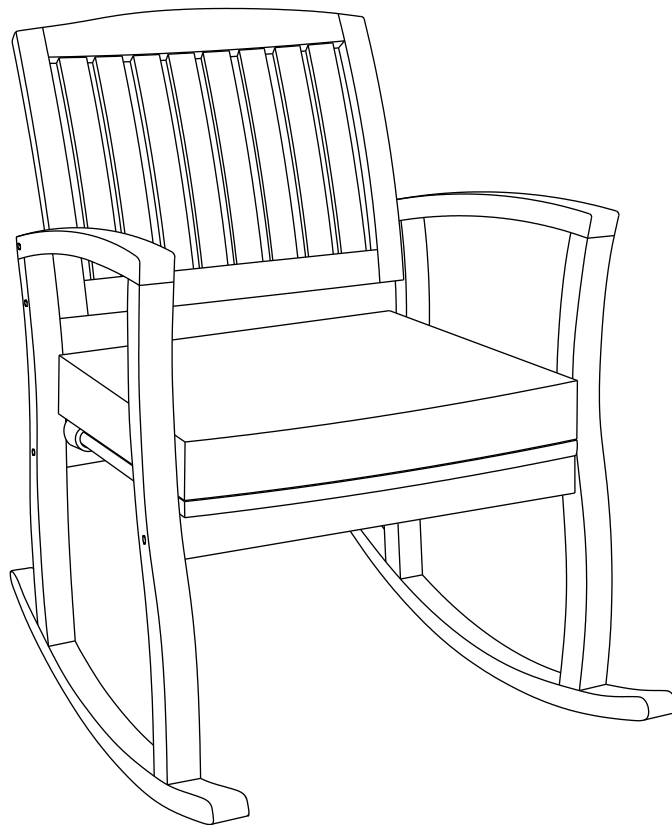


Assembly Instructions



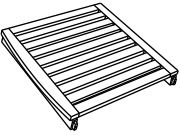


ROCKING CHAIR

CAUTION: You must read this before you proceed.



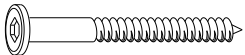
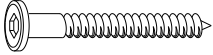

CAUTION : This Rocking Chair is NOT a TOY.
Keep your child / children at bay in the process of assembly.
For turning the Rocking Chair and to prevent damage to the Rocking
Chair, 02 persons may be needed to execute this action.

Parts List

No.	Picture	Description	Qty
A		Left Arm Panel	1
B		Right Arm Panel	1
C		Seat panel	1
D		Backrest Panel	1
E		Seat Cushion	1




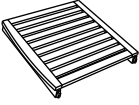
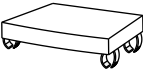
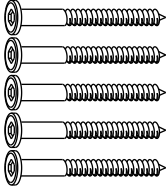
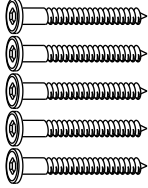

Hardware






Chair Hardware

No.	Picture	Description	Qty
①		Long Screws M6 x 80mm	5
②		Short Screws M6 x 70mm	5
③		Allen Key	1

Assembly Preparation

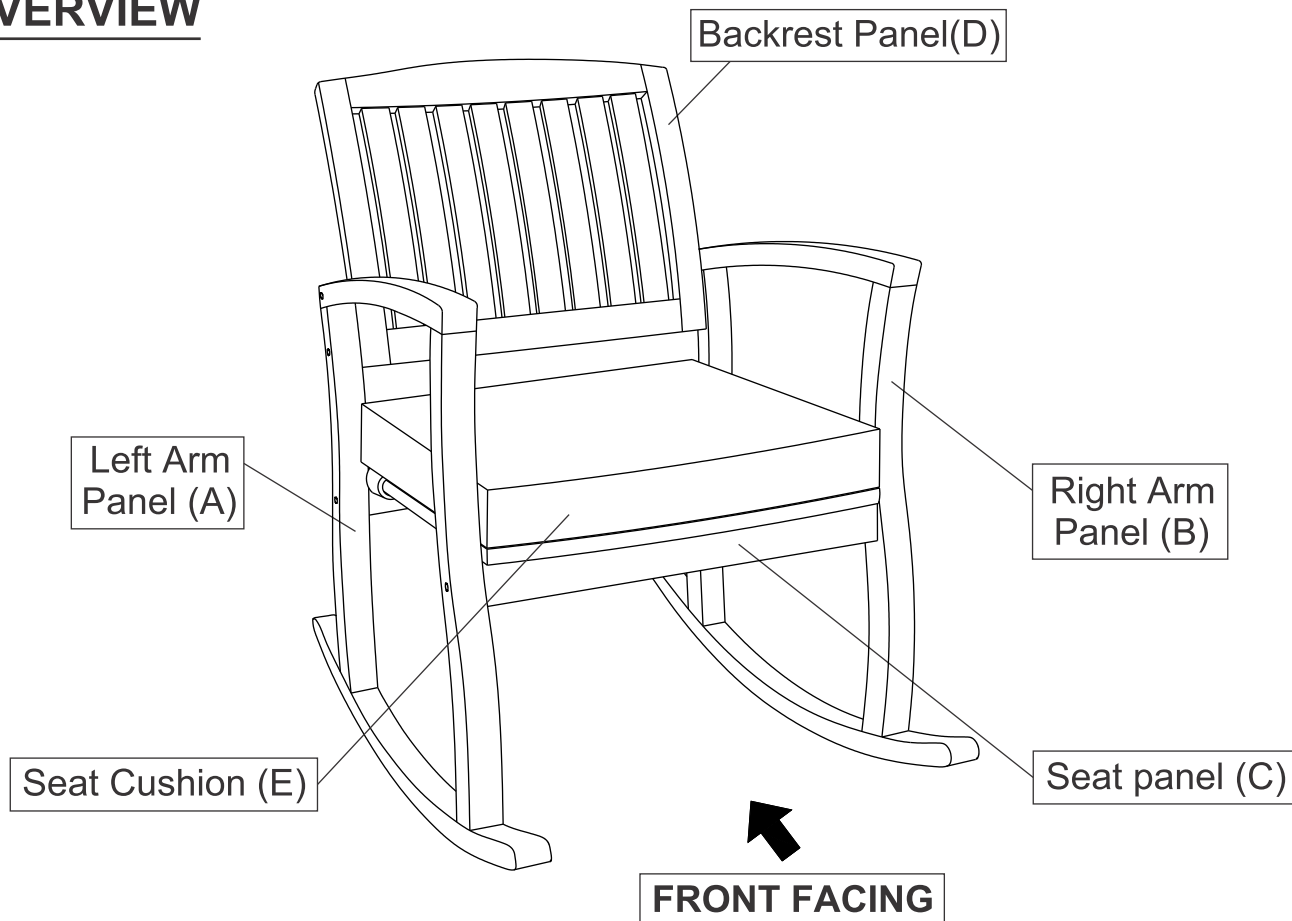
Before Beginning Assembly:

-  Read instructions, cover to cover.
-  Have 2 adults on hand for assembly.
-  Do not assemble on flooring or carpet.
-  Assemble on a clean non-marring surface (packing foam).
-  Save all packaging until finished.

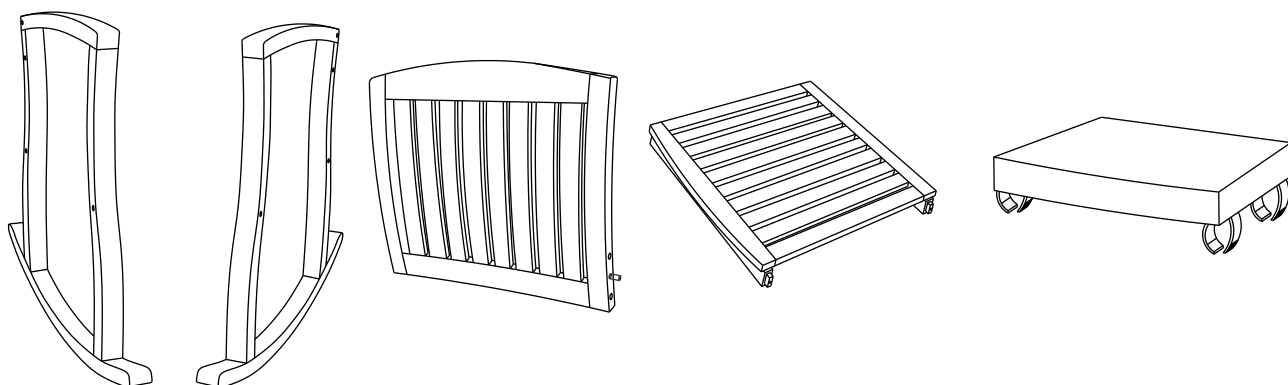
Assembly Steps

OVERVIEW



This Rocking Chair has multiple parts and may require up to 30 minutes to assemble. To give you an overview of the Rocking Chair parts, the above picture is to help you put the various parts into perspective. Please read through the instructions herebelow to familiarise the parts and steps before assembly.

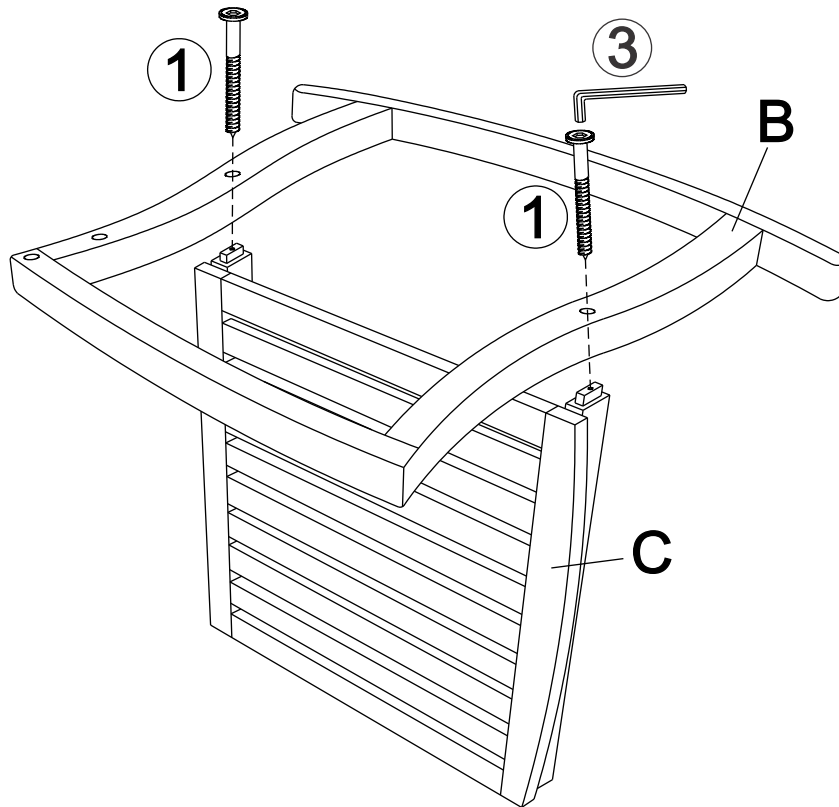
Step 1



Unpack and place all parts on a clean, non-marring surface.

Assembly Steps

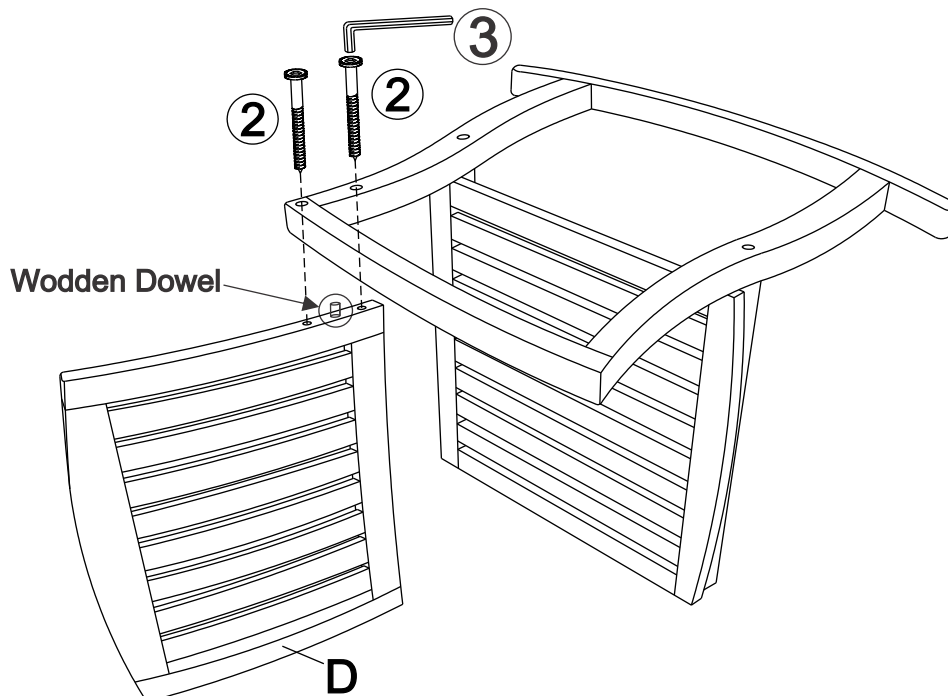
Step 2



Position Seat Panel (C) and Right Arm Panel (B) as shown in picture above.

Then affix Right Arm Panel (B) with Seat Panel (C) by using Long Screws (1) and Allen Key (3)
DO NOT FULLY TIGHTEN SCREWS.

Step 3



Then continue position Backrest Panel (D) as shown in picture above.

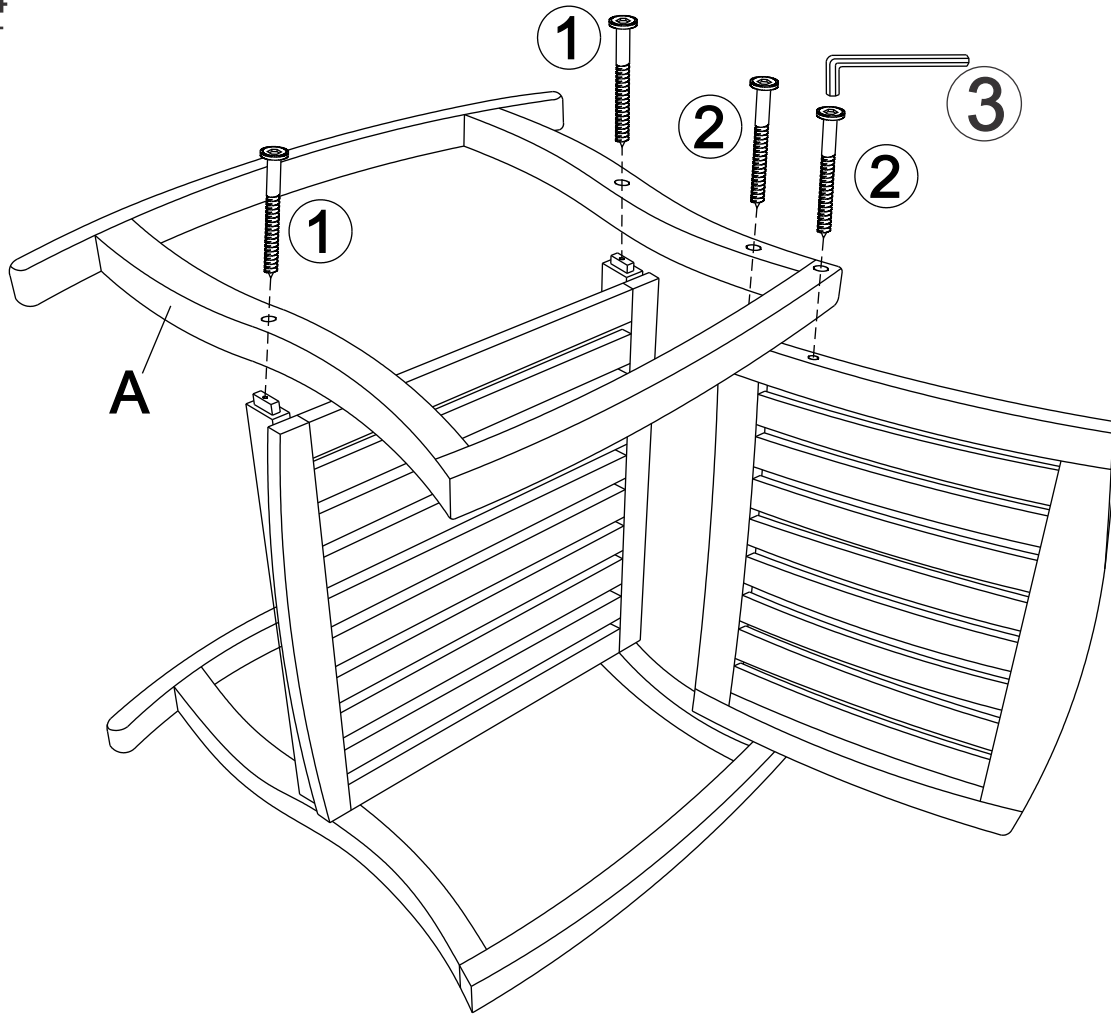
Align the wooden dowel into the positions in the arms.

Then, affix Right Leg Panel (B) with Backrest Panel (D) by using Short Screws (2) and Allen Key (3)

DO NOT FULLY TIGHTEN SCREWS.

Assembly Steps

Step 4

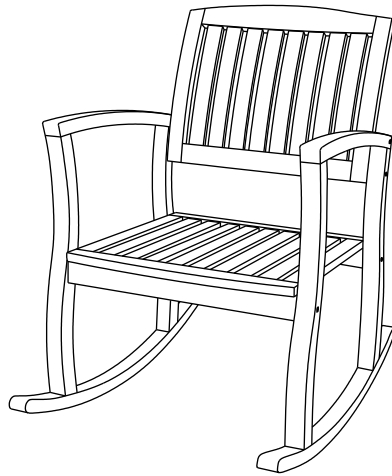


With the help from your partner, turn the Rocking Chair to rest on Right Arm Panel (B) so that Left Arm Panel (A) is now facing skywards.

Repeat the same process by affixing Long Screws (①), Short Screws (②) to designated points.
DO NOT FULLY TIGHTEN SCREWS.

Assembly Steps

Step 5

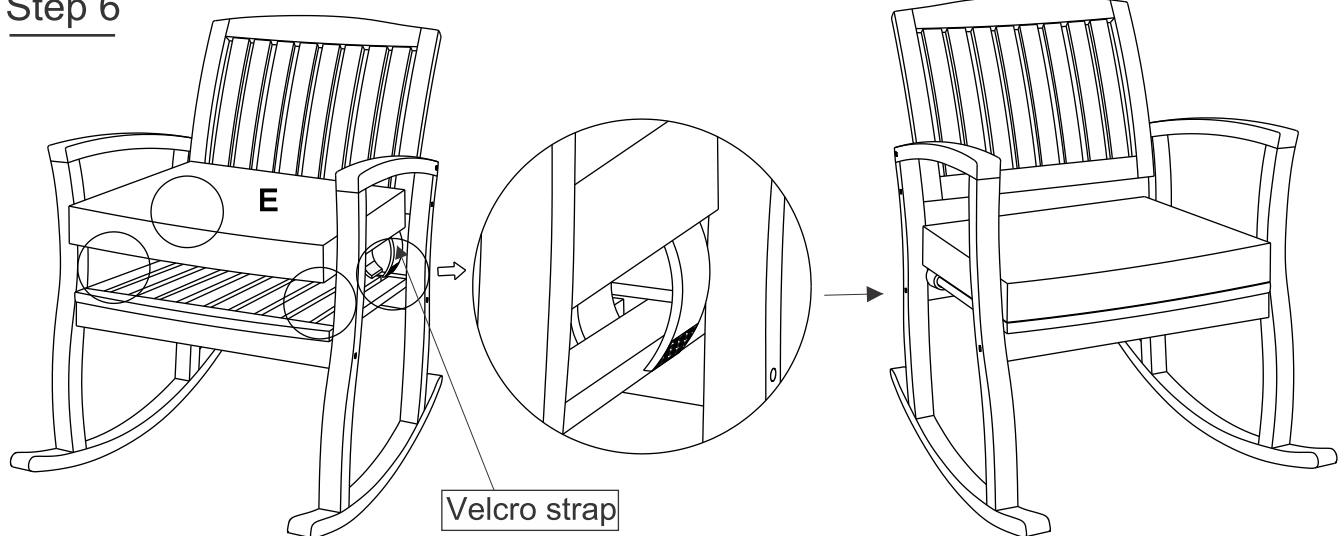


Turn the Rocking Chair right side up.
Place the Rocking Chair on a **LEVEL SURFACE**.
Inspect it and make sure all parts are adequately connected.
Gently and gracefully, sit into to the Rocking Chair.
This would help to align all the parts at all the joint areas.

Then get off the Rocking Chair, and in a sequential manner, proceed to tighten all screws.
To tighten the Screws at the base of the Backrest, do secure assistance from your adult partner(s).
You may be required to turn the Rocking Chair, to gain easy access to the secure points.
Turn the Rocking Chair in a synchronised manner.










CAUTION: When tightening these screws, tighten sequentially. DO NOT tighten any screw fully and then towards the next one. This would cause the frame to warp.
If there is still wobbles, loosen the screws and execute this same process.
WARNING!! IF ROCKING CHAIR IS NOT STABLE , IT COULD LEAD TO DAMAGING THE PRODUCT.

Step 6



This is the final stage.
Ensure that all screws are fully and securely tightened into wood.
Place the Seat Cushion (E) using the velcro straps, as shown in diagram.
This Rocking chair is ready for use.
Caution: This Rocking Chair can only be used on a flat, level surface.

Care & Maintenance

-  Do not put hot items directly on furniture surface.
-  Do not clean furniture with harsh cleansers or polish.
-  To obtain the longest lifespan of your outdoor products, minimizing exposure to direct sunlight is recommended.
-  Children should not climb or jump on the furniture.
-  Do not write on furniture without a padded barrier to protect the surface.
-  To obtain the longest lifespan of your outdoor products, avoid extended and lengthy exposure to rain, snow, and direct sunshine. Whenever possible cover the product and /or place under patio or awnings.
-  Not for commercial use. For residential use only
-  Stains may be removed with mild soap solution and damp cloth.
-  Dust and pick-up spills using a clean, non-colored, lint-free cloth.

Questions & Answers about Proposition 65

- What is Proposition 65?

Proposition 65 requires businesses to provide warnings to Californians about significant exposures to chemicals that cause cancer, birth defects or other reproductive harm. These chemicals can be in the products that Californians purchase, in their homes or workplaces, or that are released into the environment. By requiring that this information be provided, Proposition 65 enables Californians to make informed decisions about their exposures to these chemicals.

Proposition 65 also prohibits California businesses from knowingly discharging significant amounts of listed chemicals into sources of drinking water.

Proposition 65 requires California to publish a list of chemicals known to cause cancer, birth defects or other reproductive harm. This list, which must be updated at least once a year, has grown to include approximately 900 chemicals since it was first published in 1987.

- What types of chemicals are on the Proposition 65 list?

The list contains a wide range of naturally occurring and synthetic chemicals that include additives or ingredients in pesticides, common household products, food, drugs, dyes, or solvents. Listed chemicals may also be used in manufacturing and construction, or they may be byproducts of chemical processes, such as motor vehicle exhaust.

- What does a warning mean?

If a warning is placed on a product label or posted or distributed at a workplace, a business, or in rental housing, the business issuing the warning is aware or believes that it is exposing individuals to one or more listed chemicals.

By law, a warning must be given for listed chemicals unless the exposure is low enough to pose no significant risk of cancer or is significantly below levels observed to cause birth defects or other reproductive harm.

- Where can I get more information on Proposition 65?

If you have specific questions on the administration or implementation of Proposition 65, you can contact OEHHA's Proposition 65 program at P65.Questions@oehha.ca.gov, or by phone at (916) 445-6900.