



Installation Instructions For Pre-Attached Rosettes & Short Plates

Passage and Privacy

With step-by-step Installation Pictograms & Drilling Template

Applies to:

- Classic and Rope Rosettes
- Cottage and Studio Short Plates

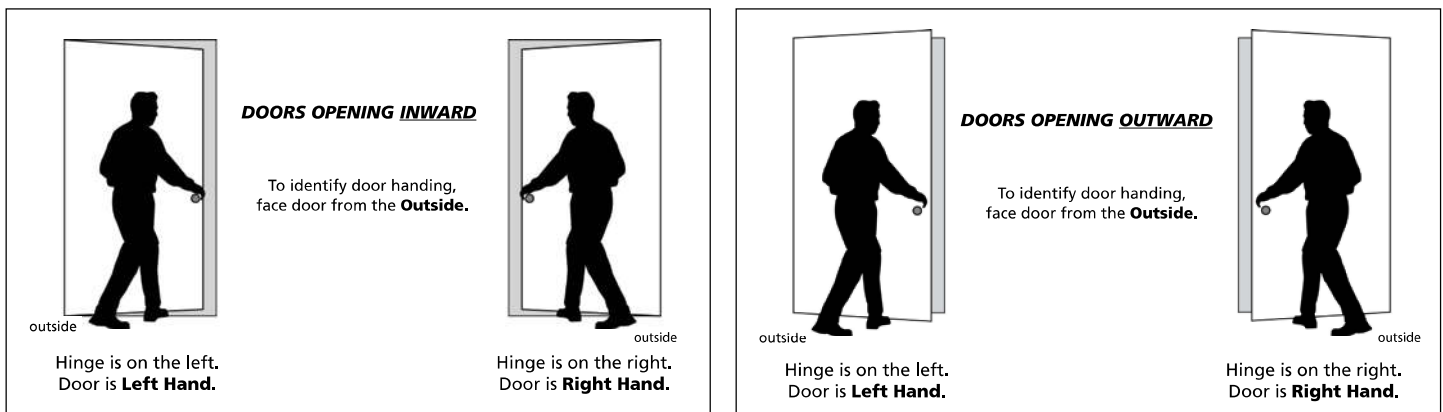
Tools Required: #2 Phillips Screwdriver (Not power tools)

Door Handing - Rosettes and Short Plates

Door handing is critical for Split-Finish, or Split-Design products. It's also used to determine where the Interior and Exterior halves of the lockset are located on the door. And, it's used to position the latch tongue in relation to the strike plate.

Inside of Door - The **Inside** of a door refers to the side of the door that faces the room. For example, for a bedroom door on a hallway, the **Inside** of the door would face the bedroom.

Outside of Door - The **Outside** of a door refers to the side of the door that faces away from the room. The **Outside** of a door is generally more visible to visitors, and therefore a rosette on this side of the door has no visible screws. For example, on a bedroom door, the **Outside** would face the hallway.



INSTALLATION RULES:

- 1) Lockset machine mounting screws are inserted from the inside.
- 2) Privacy pin holes are next to the door side containing the latch.
- 3) Latch tongues have a beveled side, and this side should contact the curved end of the face plate, and curved end of the strike plate.
(See ***Latch Tongue Note** on page 3.)

Exploded Drawing for Pre-Attached Rosette/Short Plates Passage/Privacy

BEFORE YOU BEGIN:



Download 3D instructions



Scan for instructions

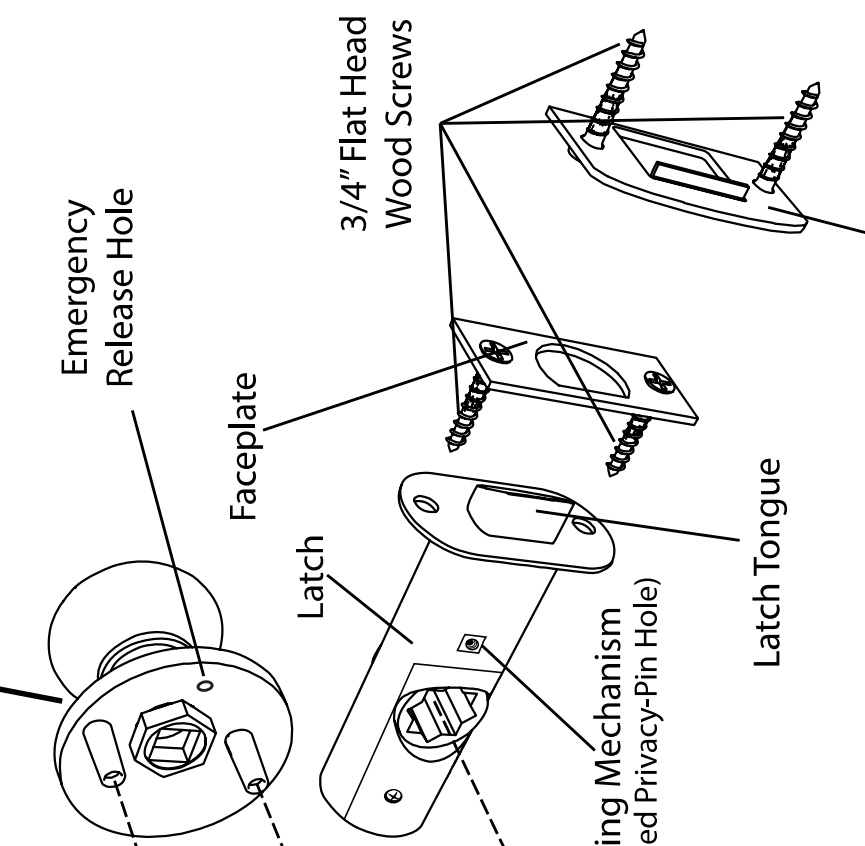
BILT

Download on the App Store
GET IT ON Google Play

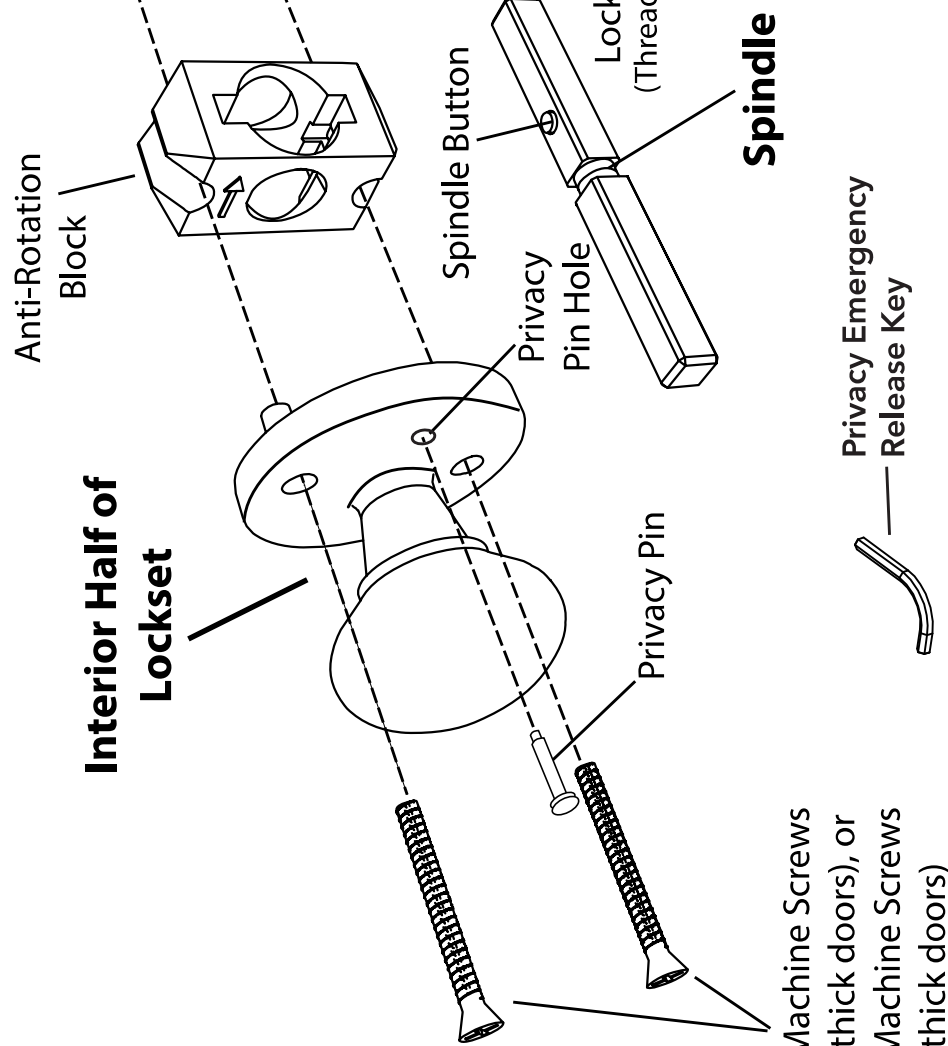


Watch video

Exterior Half of Lockset



Interior Half of Lockset

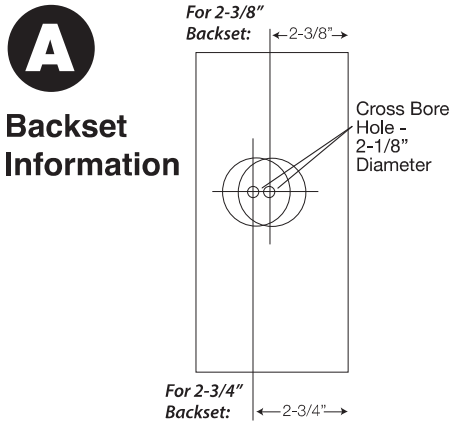


Installation Instructions For Pre-Attached Rosettes and Short Plates

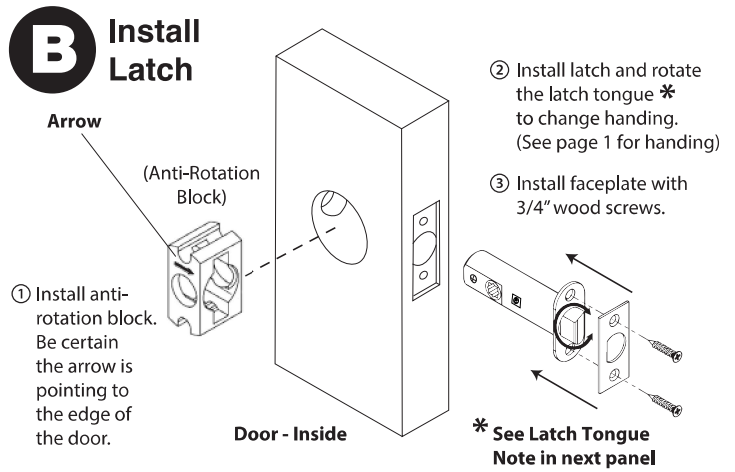
**Fits doors
1-3/8" to 1-3/4" thick**

Passage/Privacy

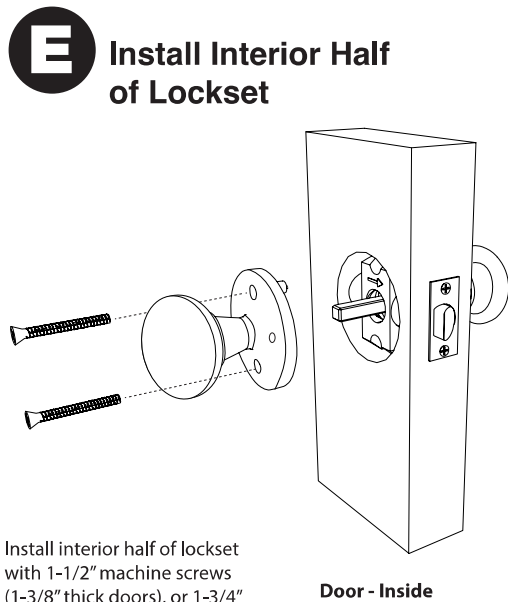
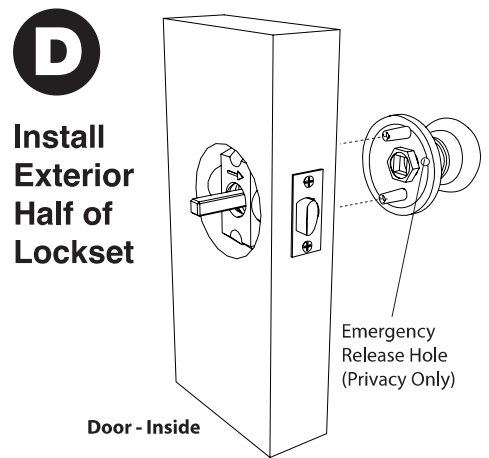
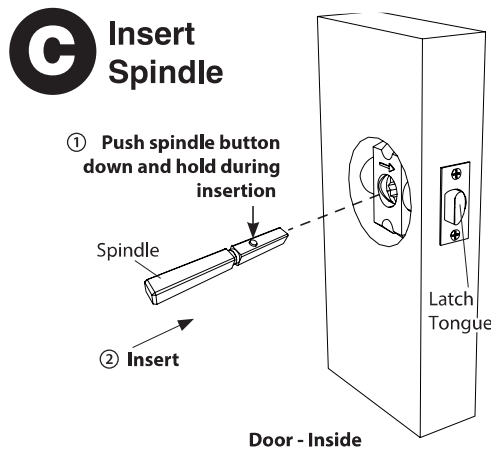
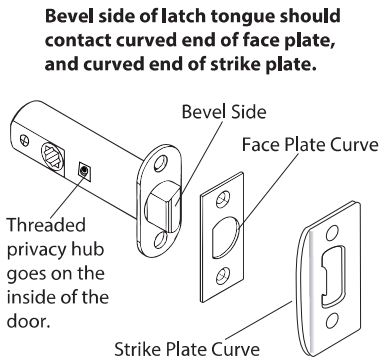
Tools Required: #2 Phillips Screwdriver (Not power tools)



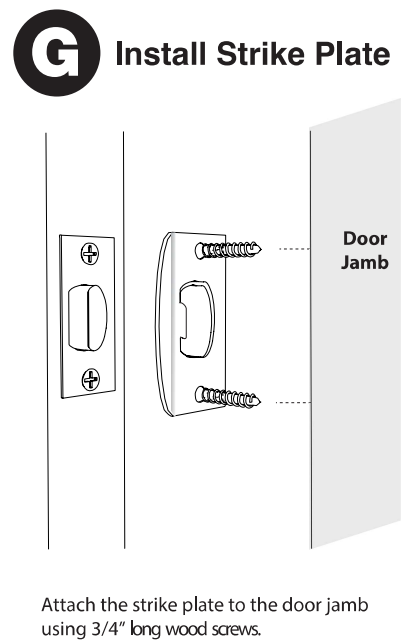
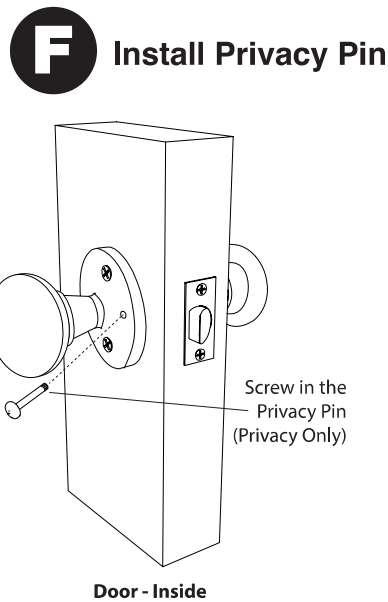
NOTE:
DRILLING
TEMPLATES
ON
SEPARATE
INCLUDED
SHEET



*** Latch Tongue Note**

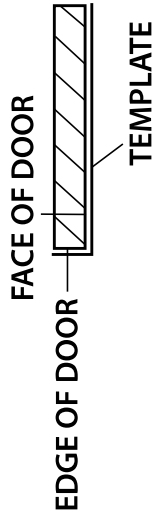


Install interior half of lockset with 1-1/2" machine screws (1-3/8" thick doors), or 1-3/4" machine screws (1-3/4" thick doors)



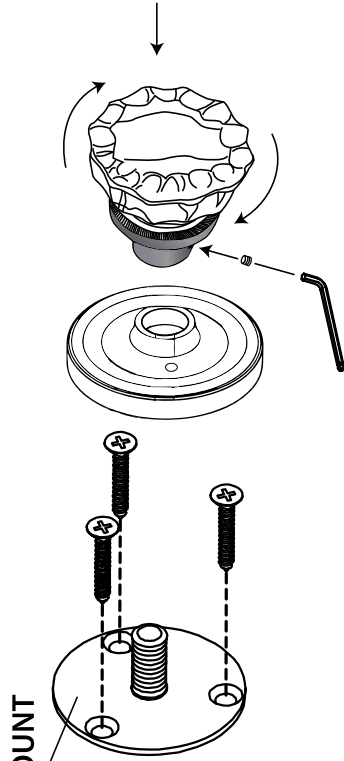
DUMMY INSTALLATION AND DOOR PREPARATION TEMPLATE

(2) FOLD TEMPLATE ALONG DOTTED LINE, AND POSITION FOLD ON THE EDGE OF THE DOOR. TAPE TEMPLATE TO FACE OF DOOR.



FOLD ALONG DOTTED LINE - EDGE OF DOOR

(4) INSERT THREE WOOD SCREWS, SLIDE ROSETTE OVER MOUNT, AND SCREW-ON KNOB.



(5) INSERT HEX SCREWS AND TIGHTEN.

(1) MEASURE FROM THE FLOOR TO THE CENTER OF EXISTING LOCKS, AND USE THIS DISTANCE AS THE CENTER OF THE DUMMY MOUNT. IF THERE ARE NO EXISTING LOCKS, POSITION THE DUMMY MOUNT 36" TO 38" FROM THE FLOOR.

(3) BEFORE DRILLING VERIFY THE BACKSET OF YOUR EXISTING DOORS IN YOUR HOUSE. DRILL PILOT HOLES USING A 7/64" DIAMETER BIT.

BACKSET
2-3/4"

2-3/8"

FLOOR