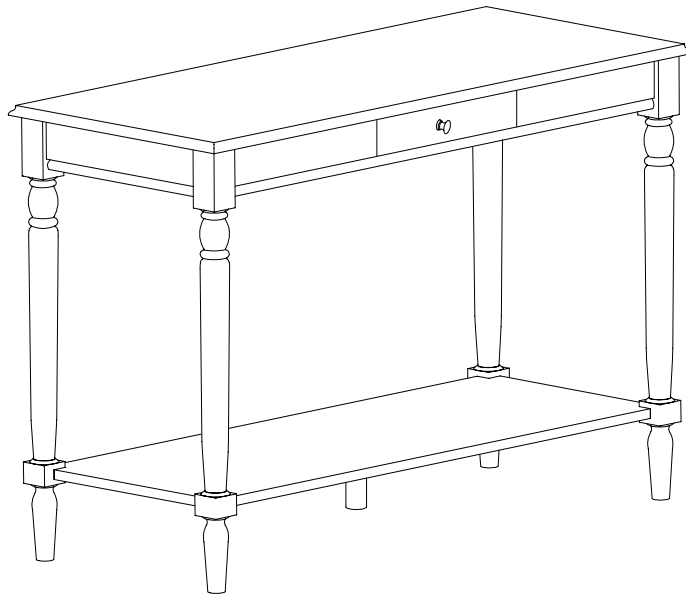










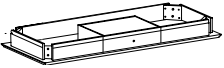


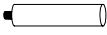
Console Table



HARDWARE LIST

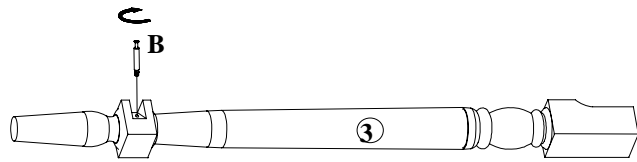
CODE	NAME	FIGURE	Q'TY
A	CAM LOCKS (Ø15x9mm)		4PCS
B	CAM BOLTS (Ø6.5x35mm)		4PCS
C	RAIL SCREW (Ø1/4"×51mm)		8PCS
D	SPRING WASHER (Ø1/4")		8PCS
E	FLAT WASHER (Ø1/4"×16mm)		8PCS
F	ALLEN WRENCH		1PC
G	MACHINE SCREW (22mm)		1PCS
H	HANDLE		1PCS

PARTS LIST

CODE	NAME	FIGURE	Q'TY
①	TOP PANEL		1PC
②	BOTTOM PANEL		1PC
③	LEG		4PCS
④	BOTTOM LEG		1PC

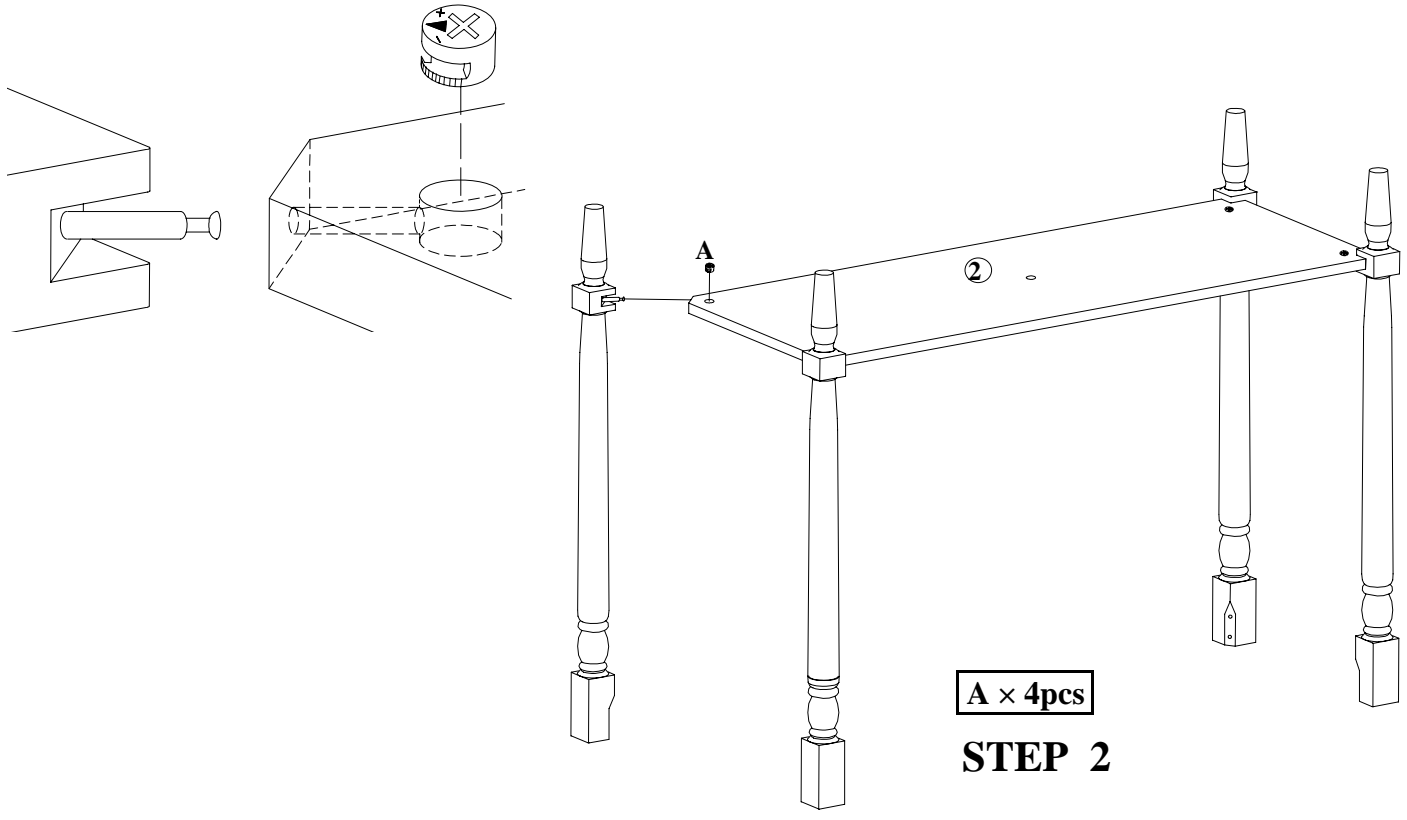


Please do not return to the store



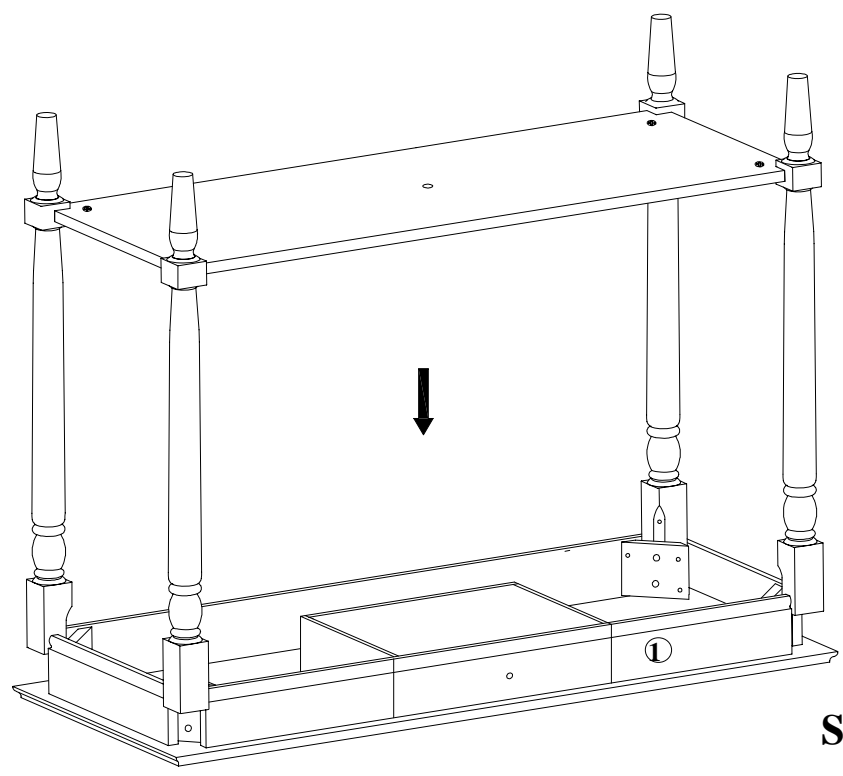
B × 4pcs

STEP 1

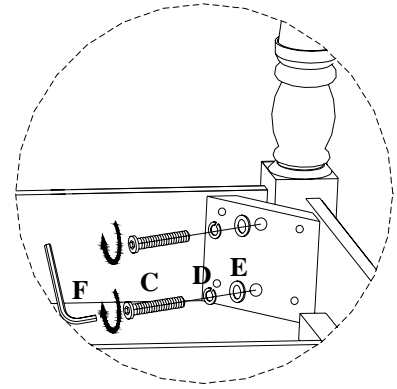
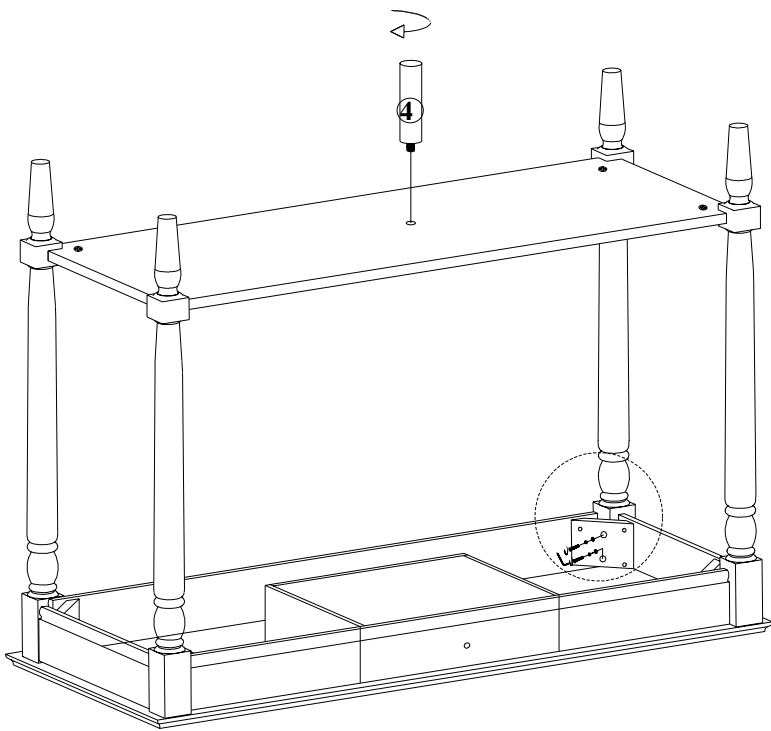


A × 4pcs

STEP 2

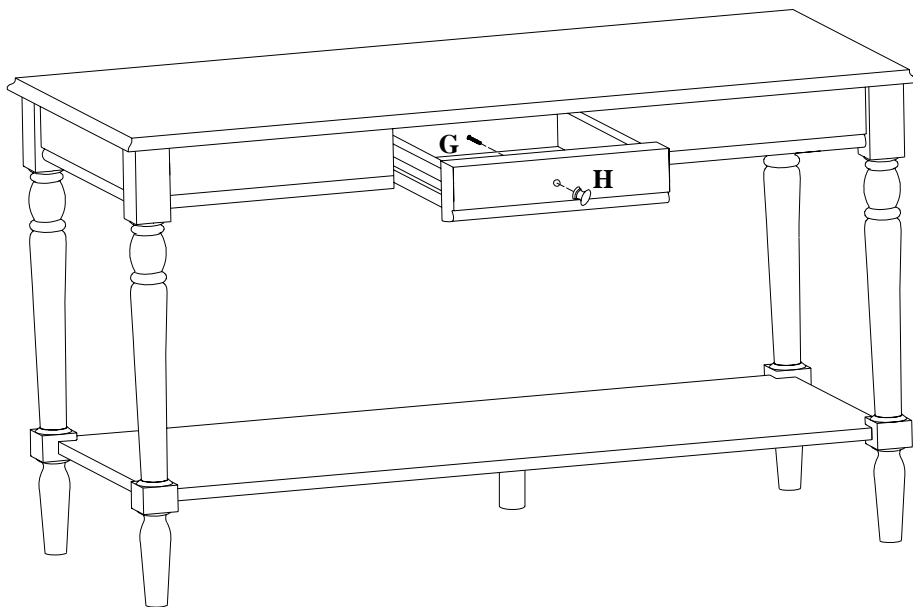


STEP 3



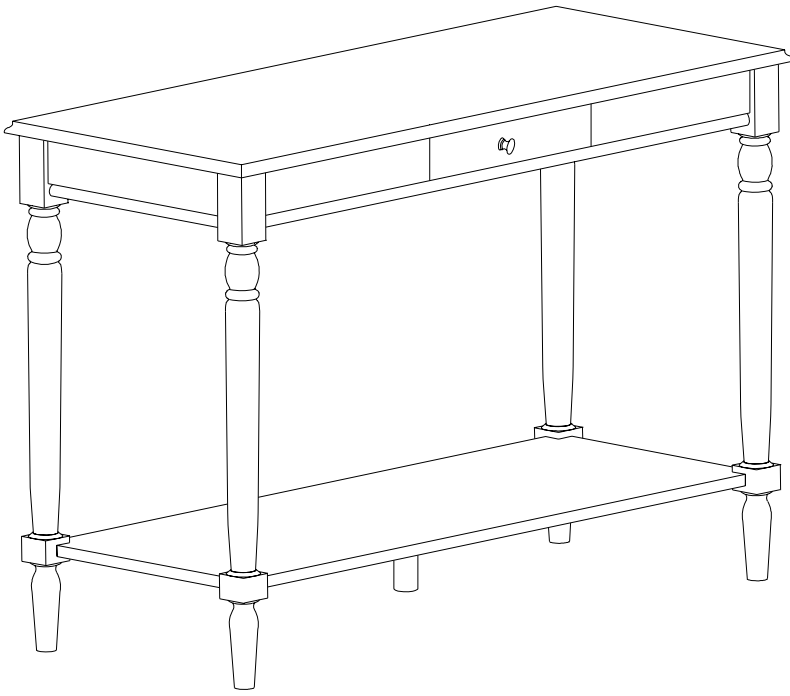
C × 8pcs
D × 8pcs
E × 8pcs
F × 1pc

STEP 4



G × 1pcs
H × 1pcs

STEP 5



STEP 6

Please refer to the item number above when calling.