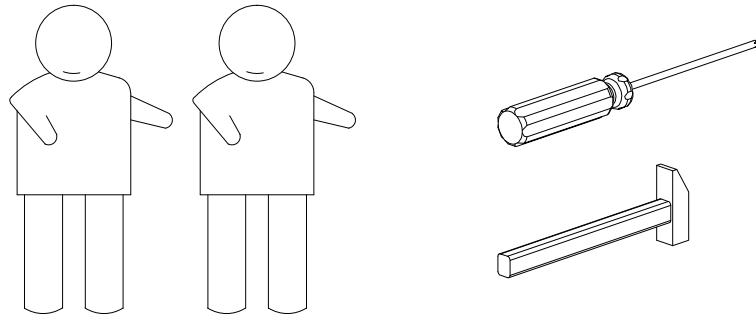
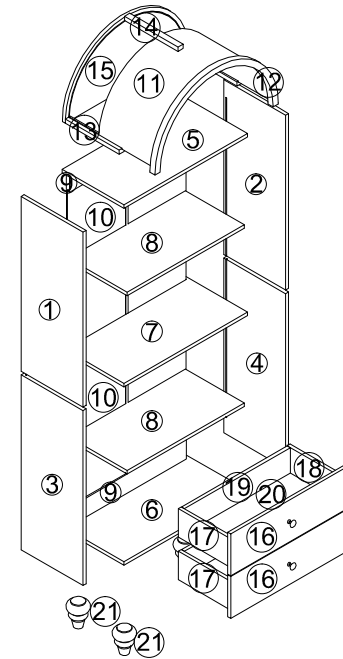
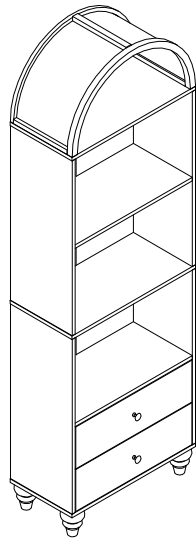


ASSEMBLY INSTRUCTION

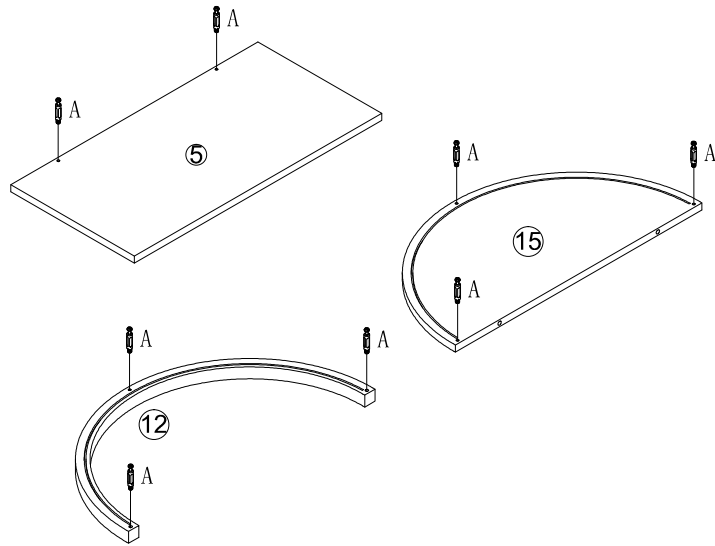


A=52		8*28	I=4		φ20
B=52		φ15*9	J=2		φ33*30
C=52		φ20	K=2		φ4*18
D=14		φ8*30	L=8		13*13*10
E=2		10"	M=1		
F=12		φ4*30			
G=2		653*11*6			
H=16		φ3.5*12			



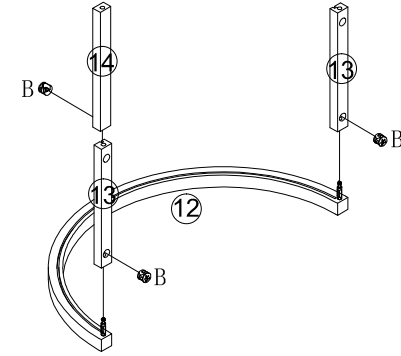
STEP:1

A=8

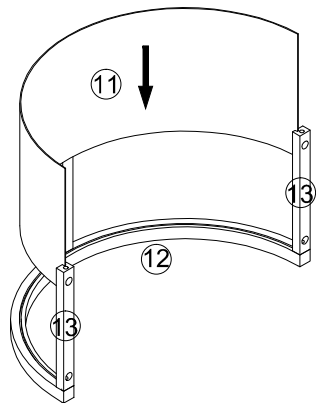


STEP:2

B=3

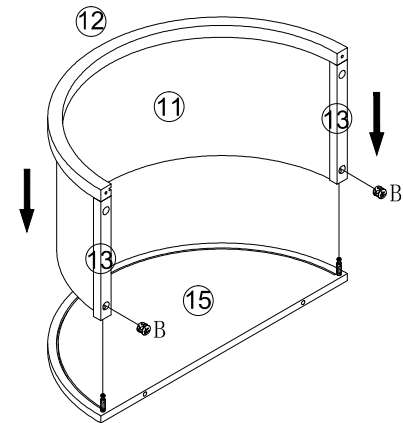


STEP:3



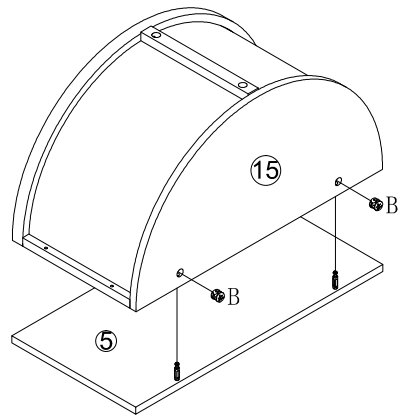
STEP:4

B=3



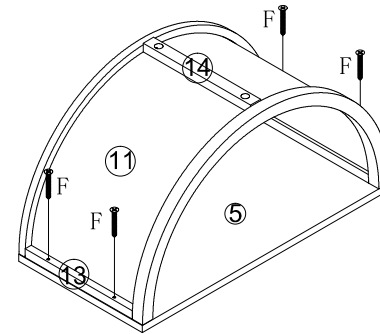
STEP:5

B=2



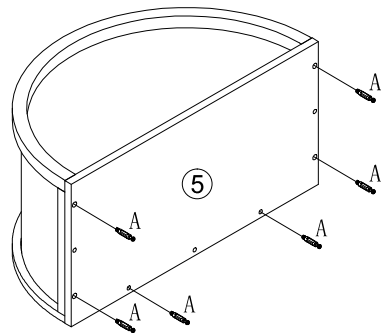
STEP:6

F=4



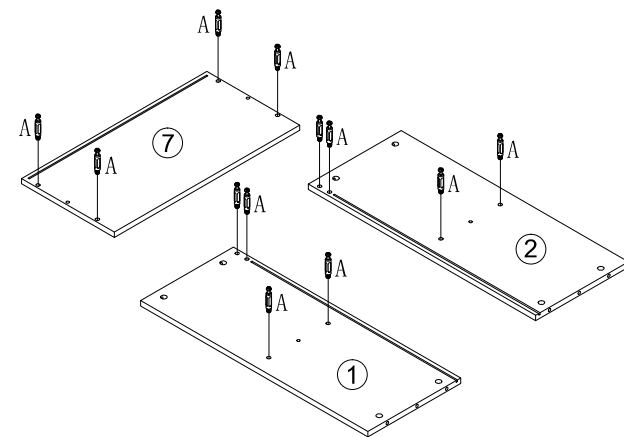
STEP:7

A=6



STEP:8

A=12

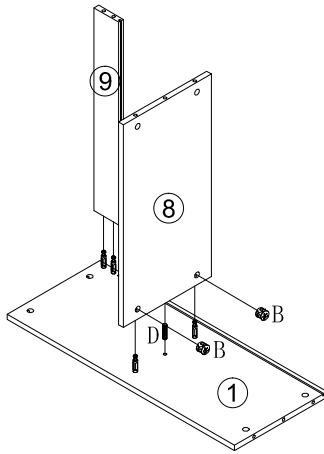


STEP:9

B=4



D=1

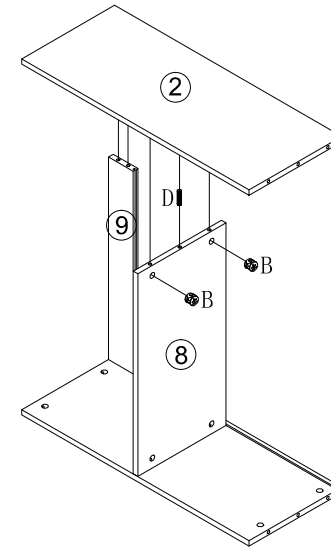


STEP:10

B=4



D=1

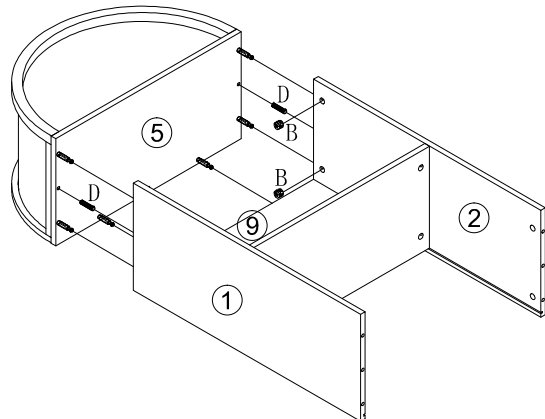


STEP:11

B=6

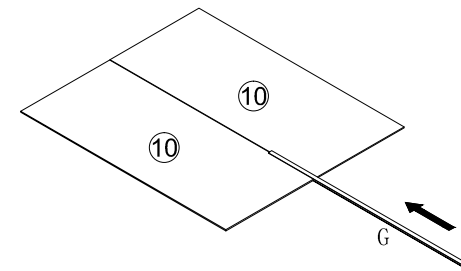
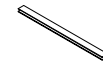


D=3



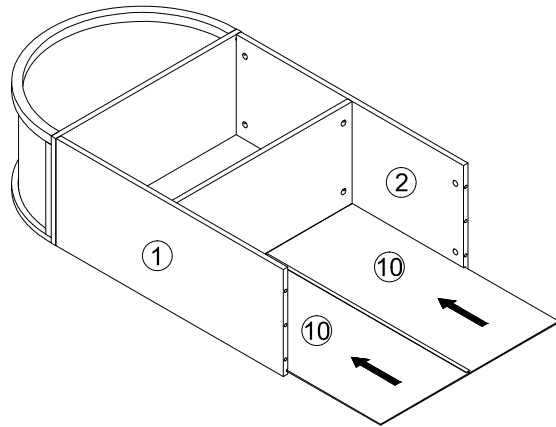
STEP:12

G=2



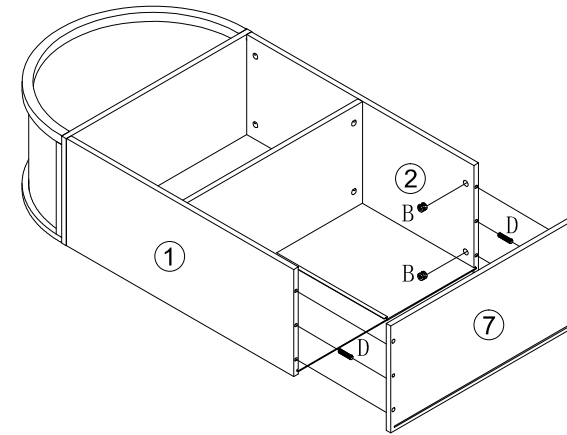
x2

STEP: 13



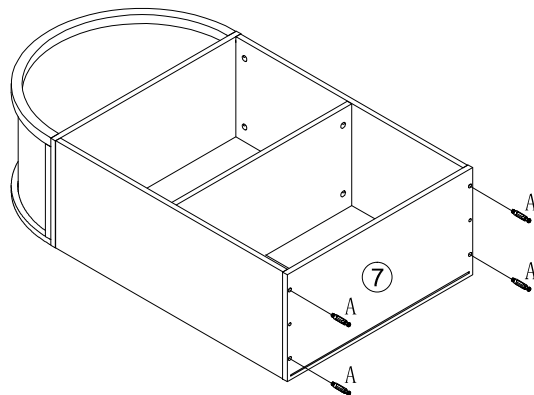
STEP: 14

B=4		D=2	
-----	--	-----	--




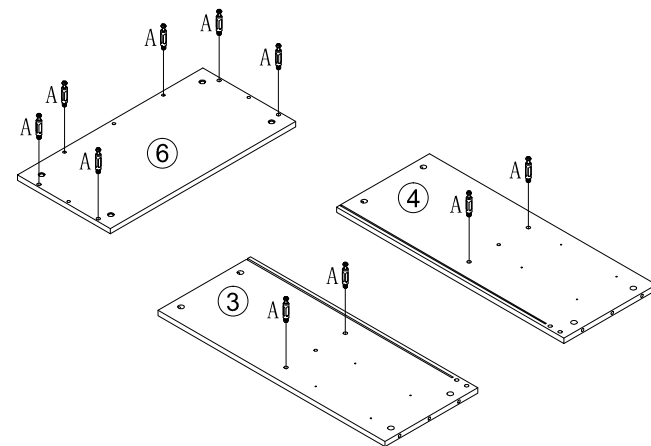
STEP: 15

A=4	
-----	---



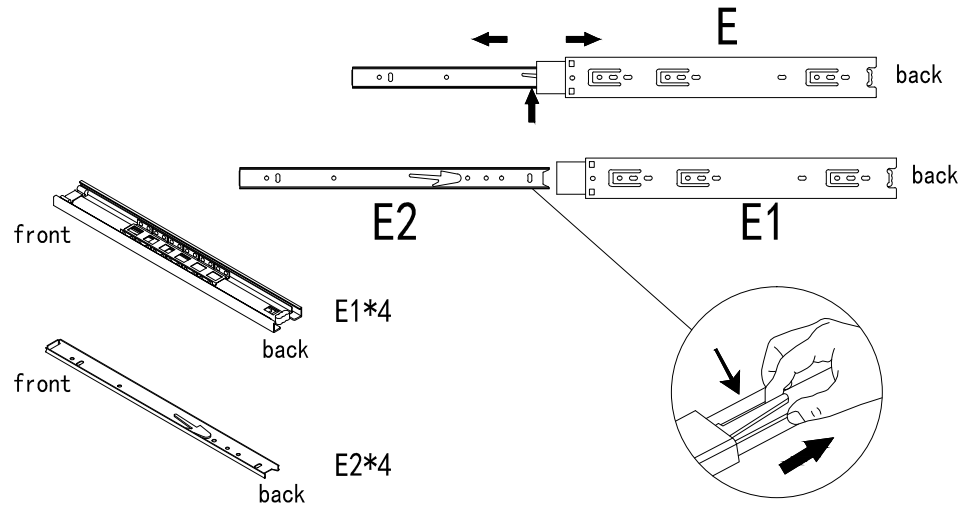
STEP: 16

A=10	
------	---



STEP:17

Warm Reminder:
Before installing the drawer rail,
you need to separate the E1 and E2 first.



STEP:18

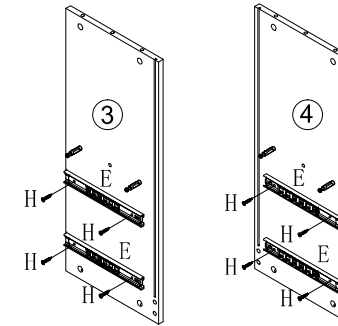
E=2



H=8



The first screw hole should corresponded with the board location hole

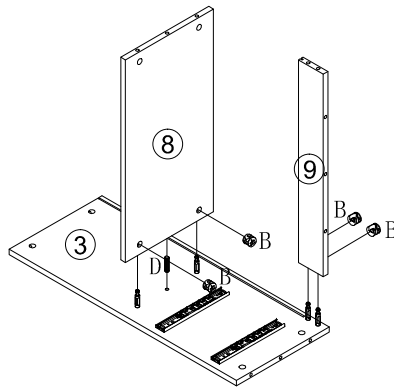


STEP:19

B=4



D=1

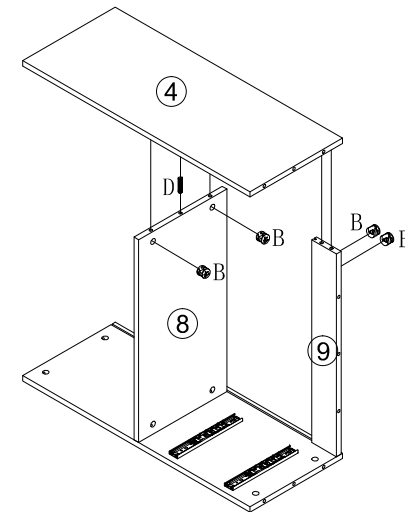


STEP:20

B=4



D=1

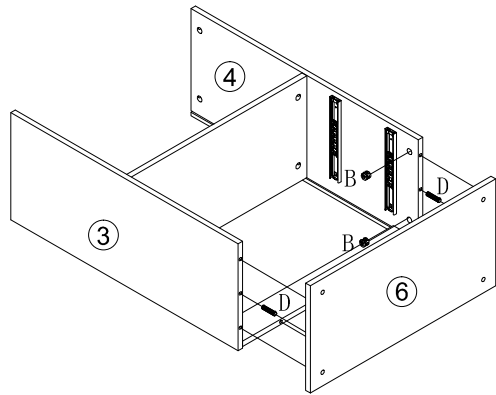


STEP:21

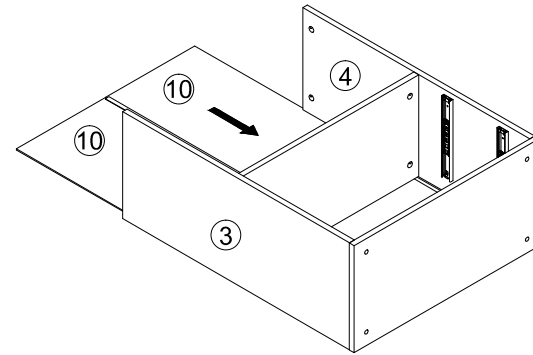
B=6



D=3



STEP:22

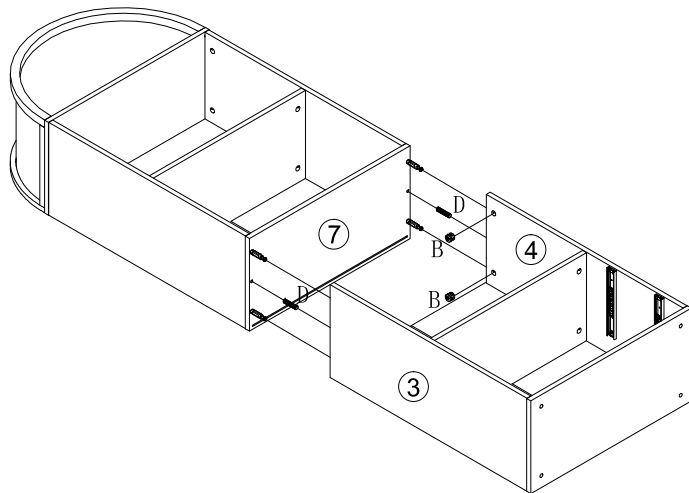


STEP:23

B=4

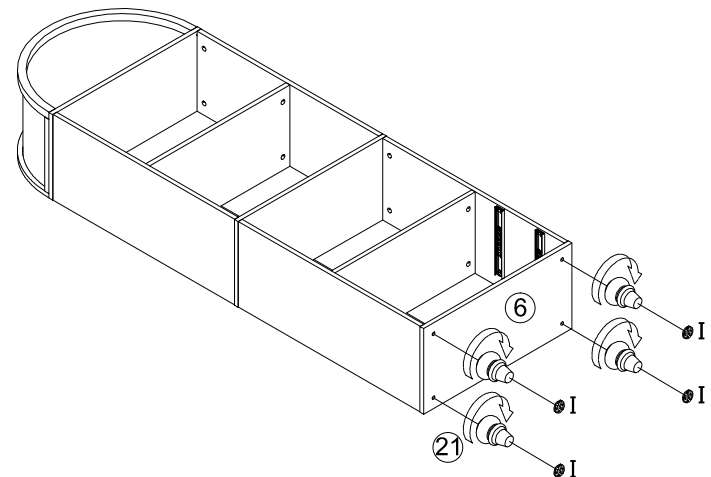


D=2



STEP:24

I=4



STEP: 25

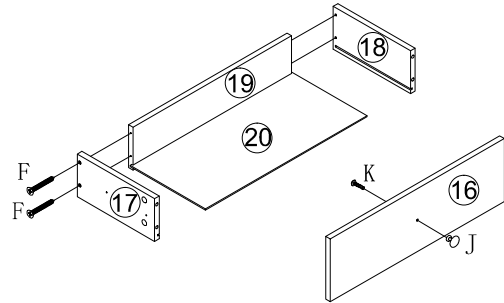
J=2



K=2



F=8



x2

STEP: 26

A=8



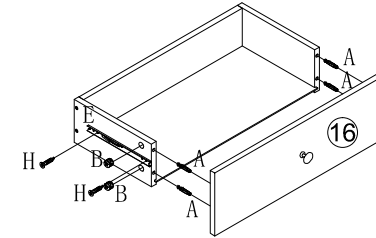
B=8



E=2



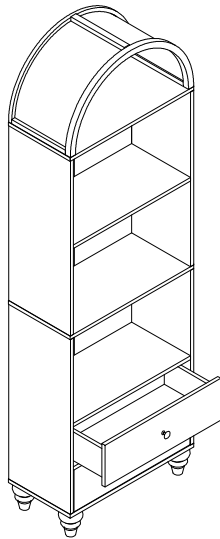
H=8



The first screw hole should corresponded with the board location hole

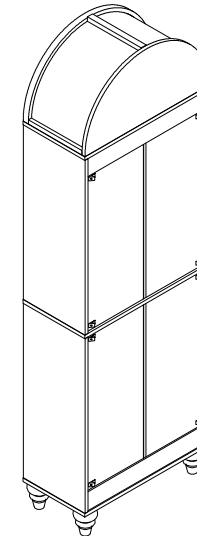
x2

STEP: 27



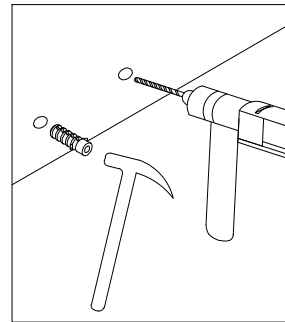
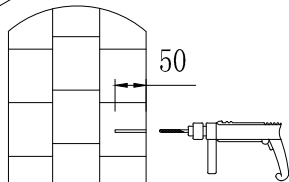
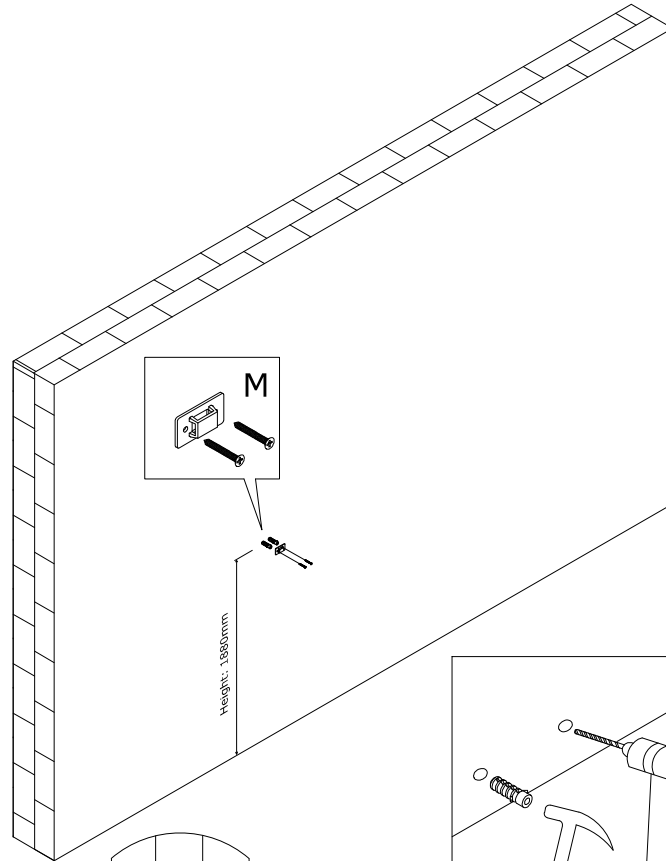
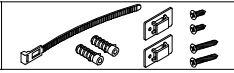
STEP: 28

L=8



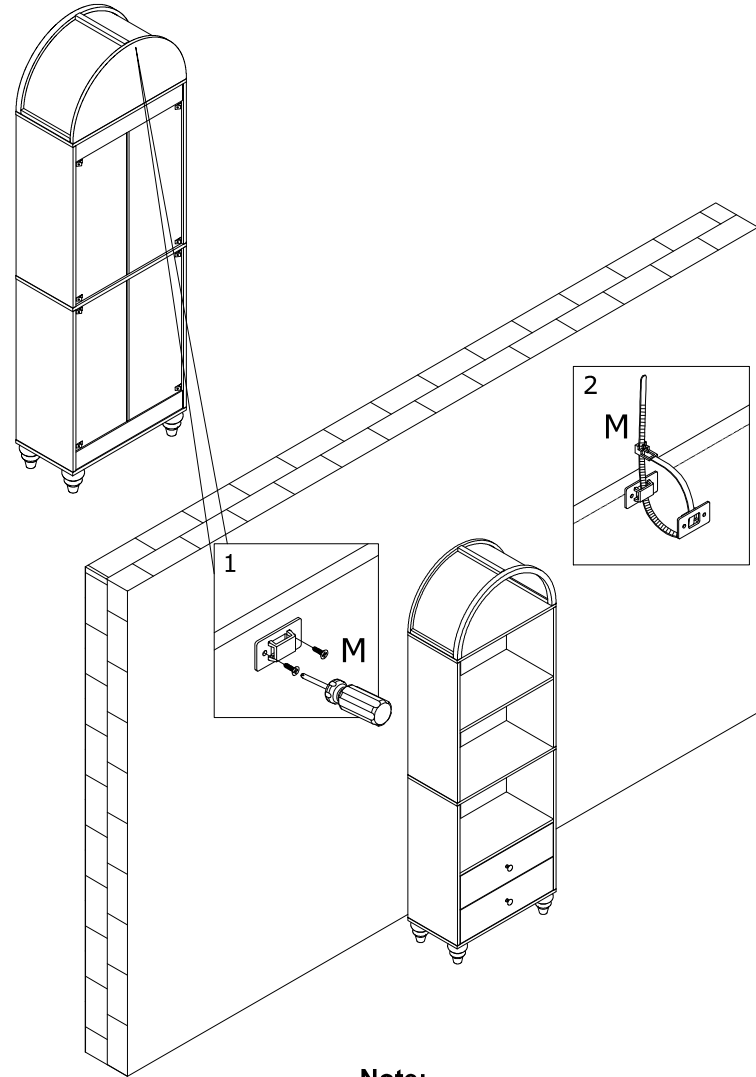
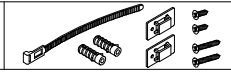
STEP: 29

M=1



STEP: 30

M=1



Note:

Please lift up the furniture by two people when moving is needed. Dragging may cause the legs failure.