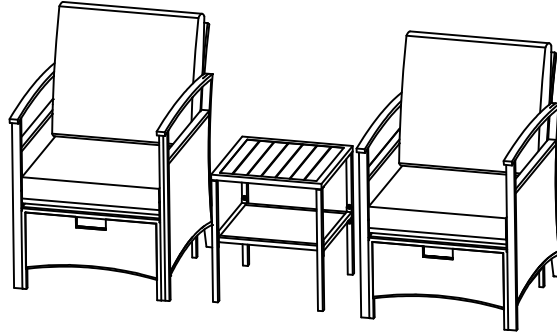


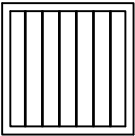
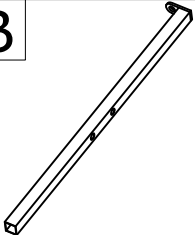
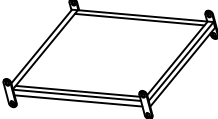

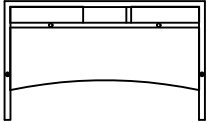
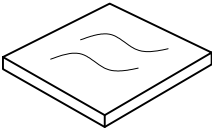
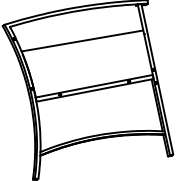

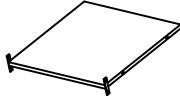
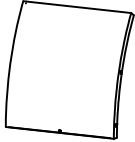
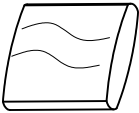
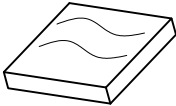
5-PIECE WICKER SET

ATTENTION:






1. Please check the manual carefully and make sure you have received all the parts.
2. If there is any missing, please let us know the letter of the parts you need.
3. If there is any damage, please send clear photos to us, we will check and offer you best solution soon.







Parts List

<p>A</p> 	<p>B</p> 	<p>C</p> 	<p>D</p> 	<p>E</p> 
<p>1 PCS</p>	<p>4 PCS</p>	<p>1 PCS</p>	<p>2 PCS</p>	<p>2 PCS</p>
<p>F</p> 	<p>G</p> 	<p>H</p> 	<p>I</p> 	<p>J</p> 
<p>2 PCS</p>	<p>2 PCS</p>	<p>2 PCS</p>	<p>2 PCS</p>	<p>2 PCS</p>
<p>K</p> 	<p>L</p> 			
<p>2 PCS</p>	<p>2 PCS</p>			

HARDWARE LIST

#1	#2	#3	#4	#5
 M6x15mm	 M6x30mm	 M6x35mm		
20 PCS	8 PCS	18 PCS	46 PCS	1 PCS

EXTRA HARDWARE LIST

#1	#2	#3	#4	
 M6x15mm	 M6x30mm	 M6x35mm		
1 PCS	1 PCS	1 PCS	1 PCS	

Assembly of 5-piece wicker set

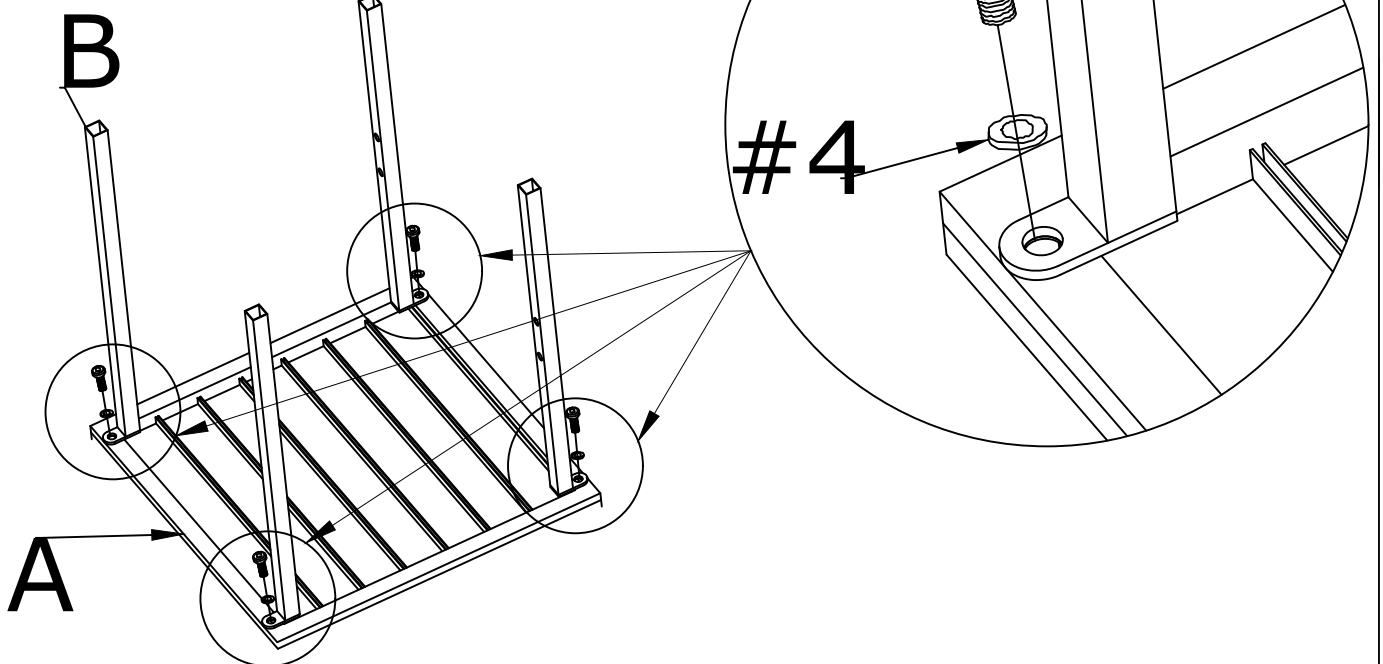
STEP 1

A*1

B*4

#1*4

#4*4

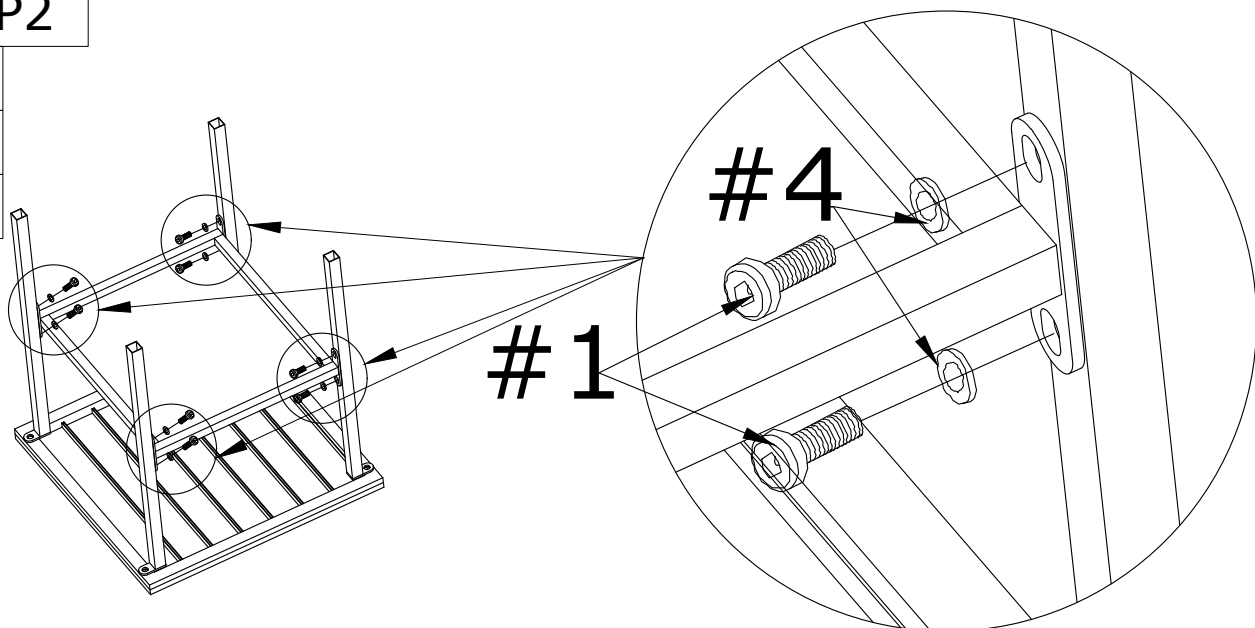


STEP2

C*1

#1*8

#4*8



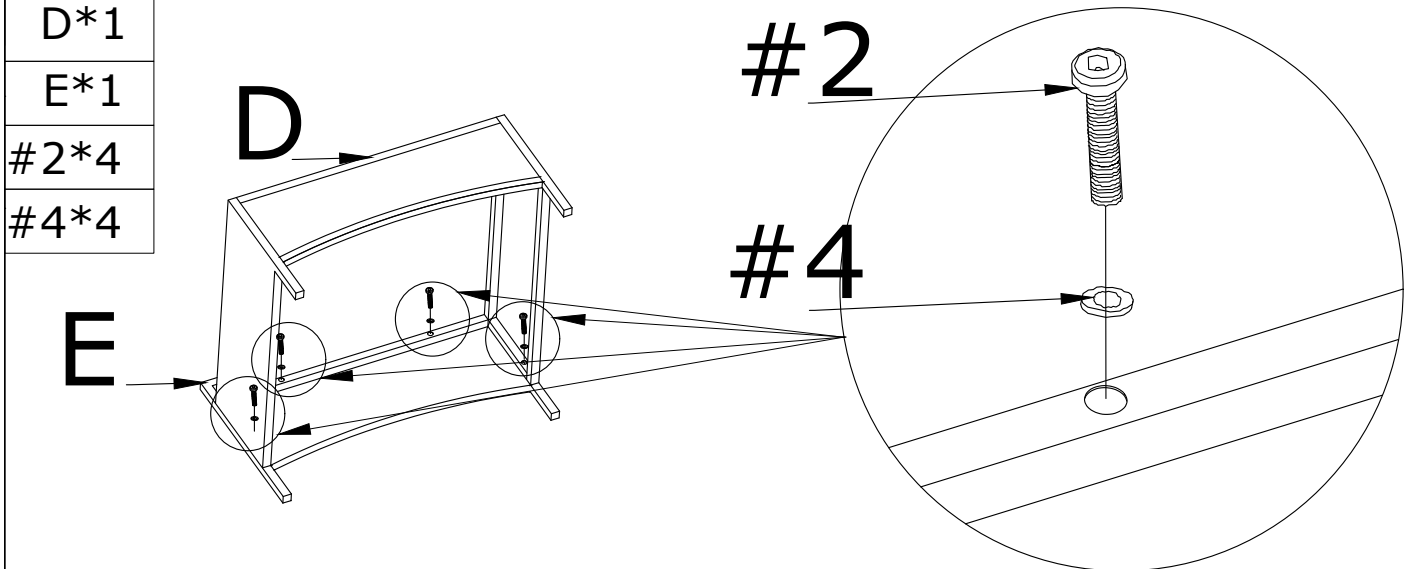
STEP3

D*1

E*1

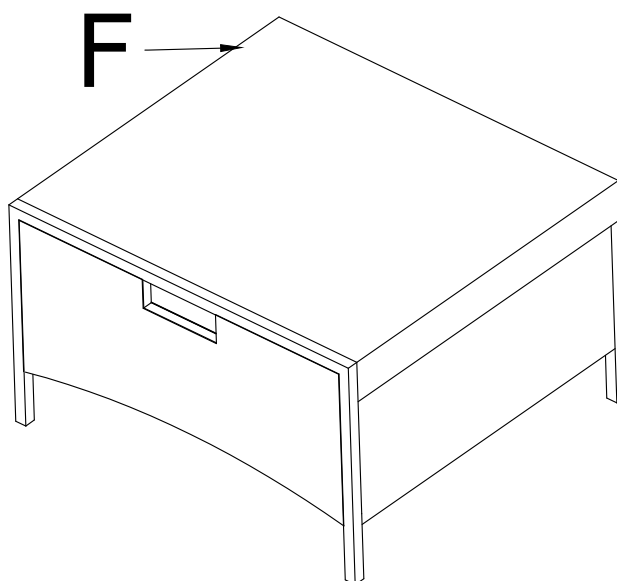
#2*4

#4*4



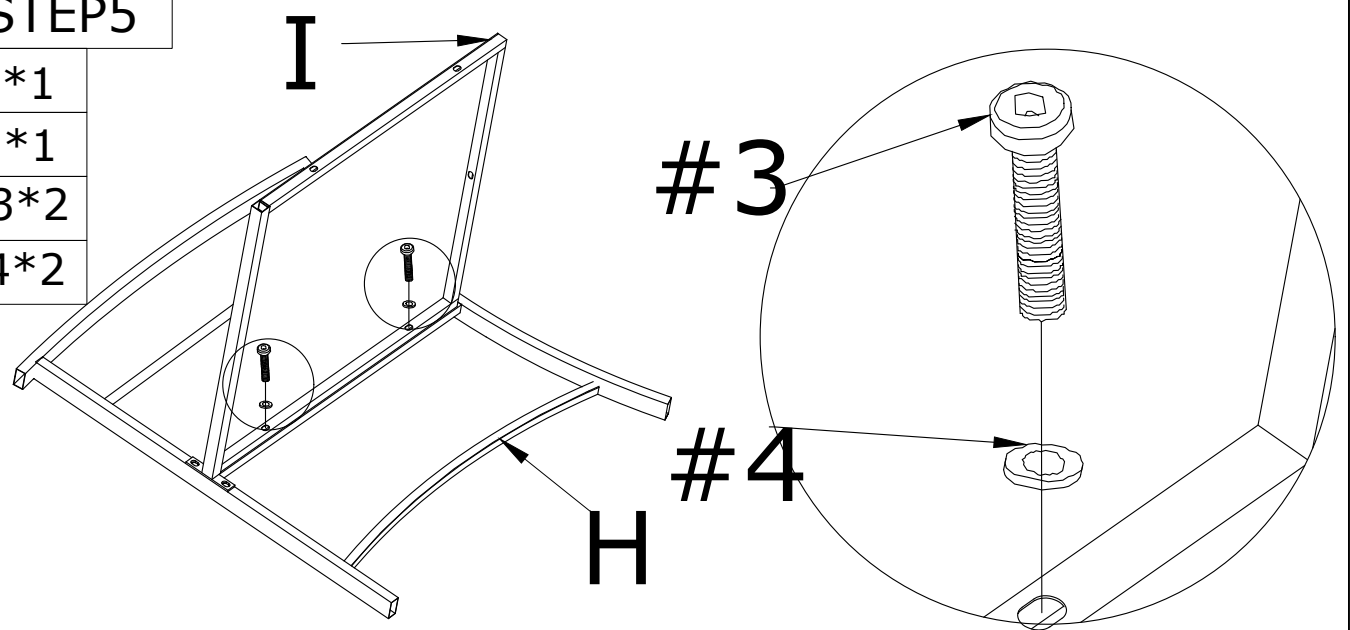
STEP4

F*1



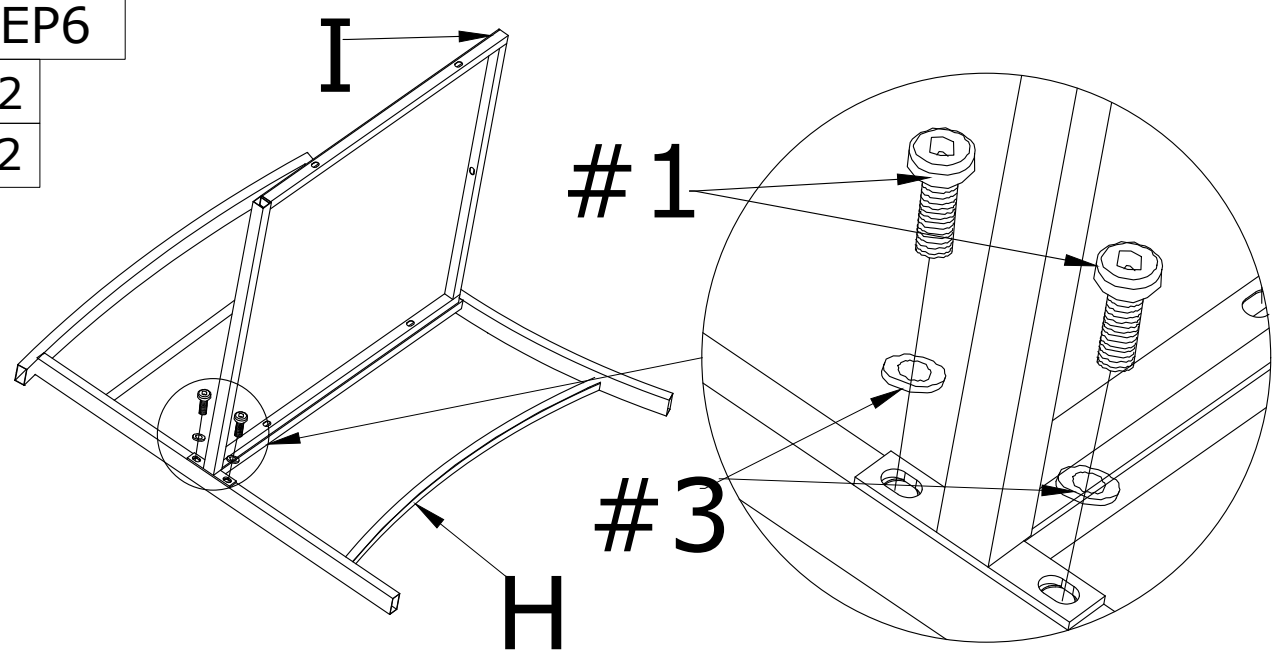
STEP5

- I*1
- H*1
- #3*2
- #4*2



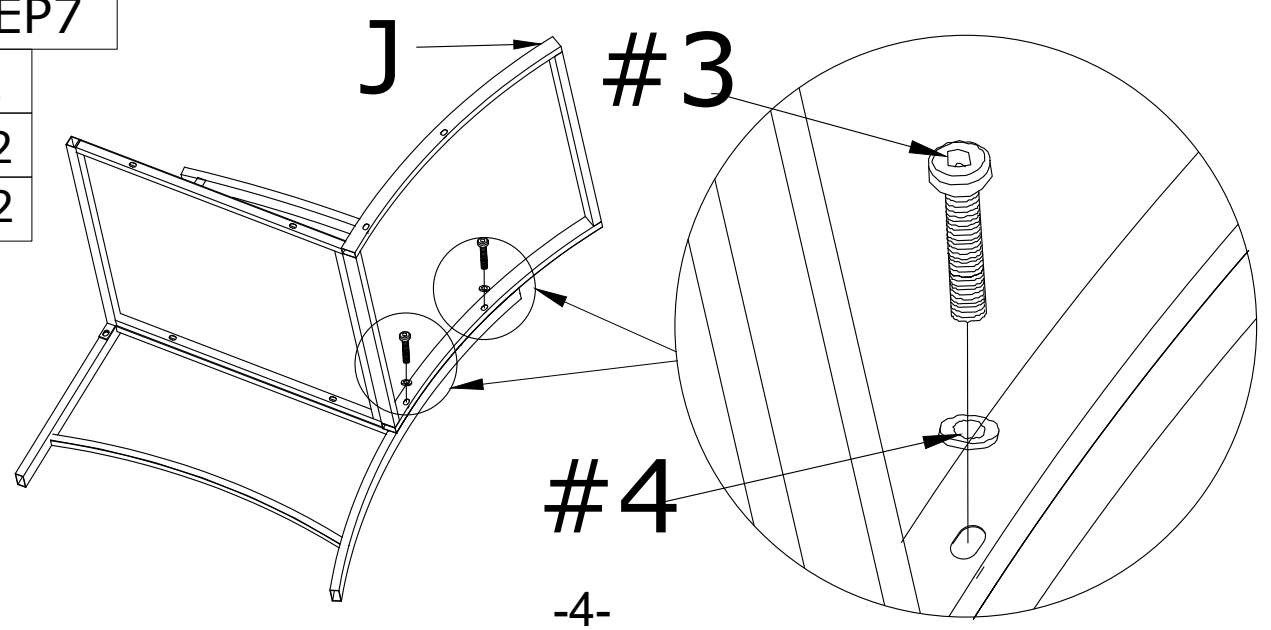
STEP6

- #1*2
- #4*2



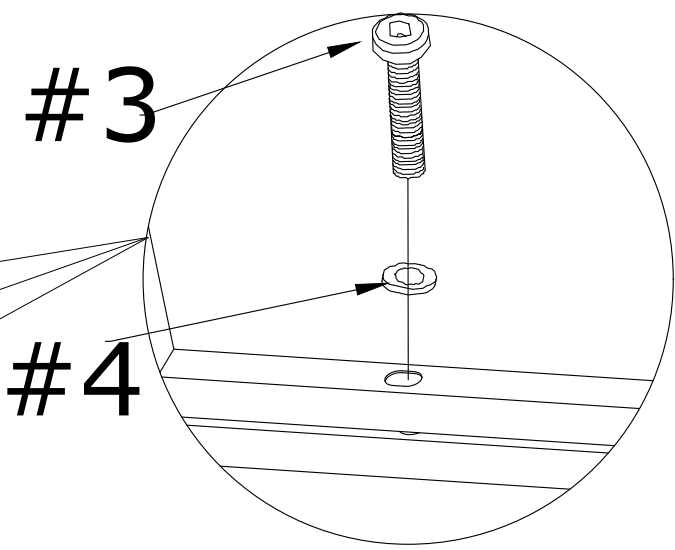
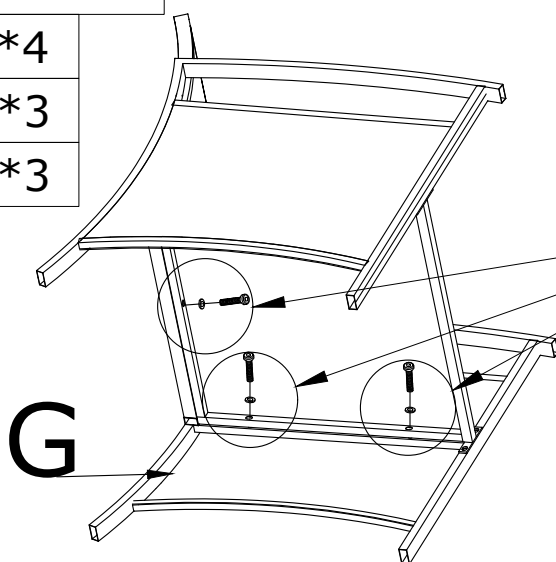
STEP7

- J*1
- #3*2
- #4*2



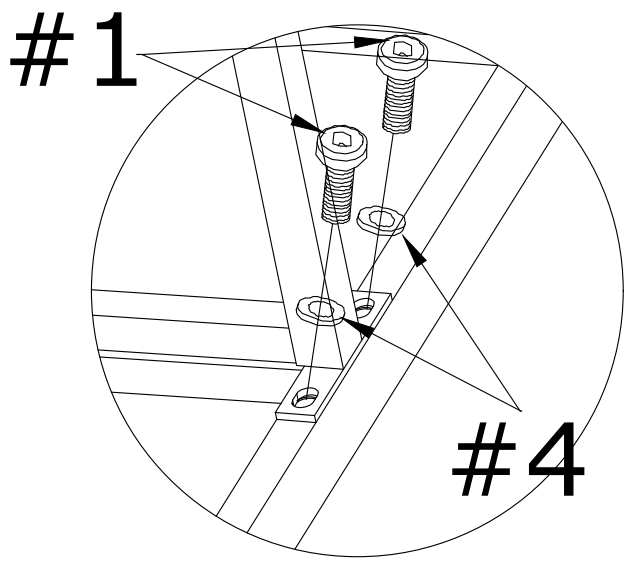
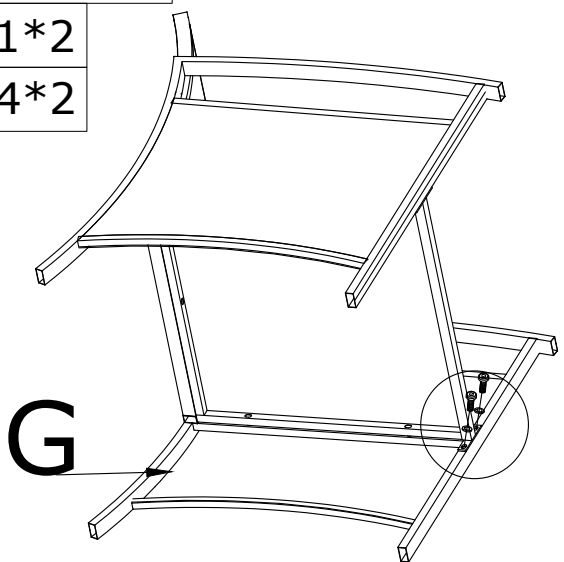
STEP8

- G*4
- #3*3
- #4*3



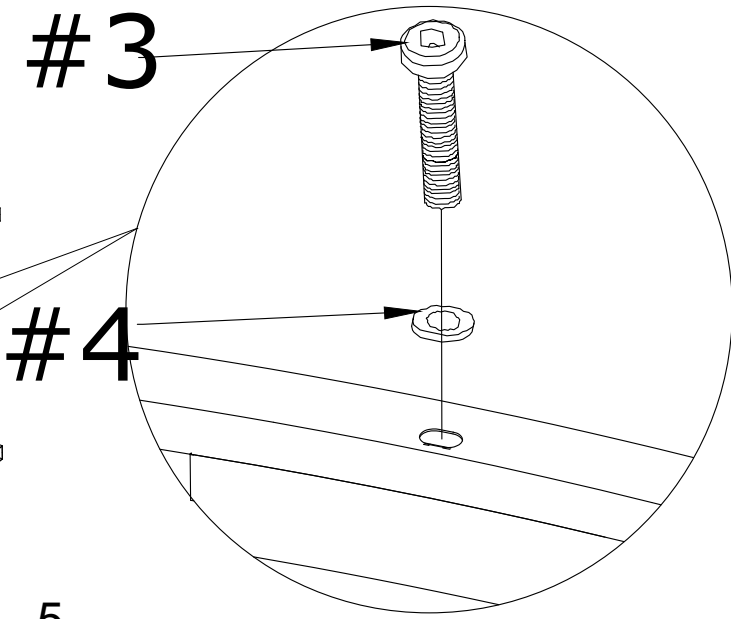
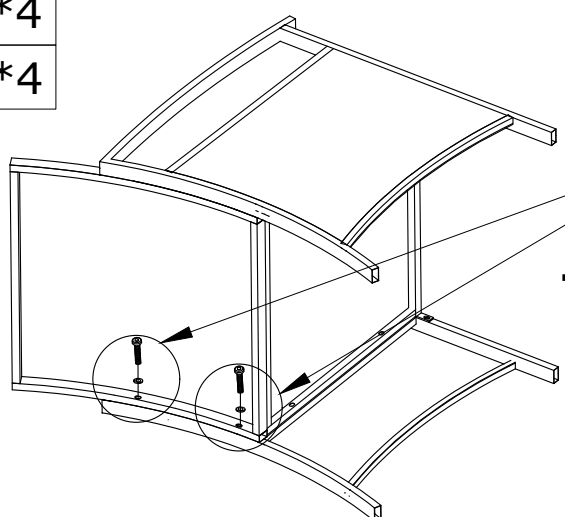
STEP9

- #1*2
- #4*2



STEP10

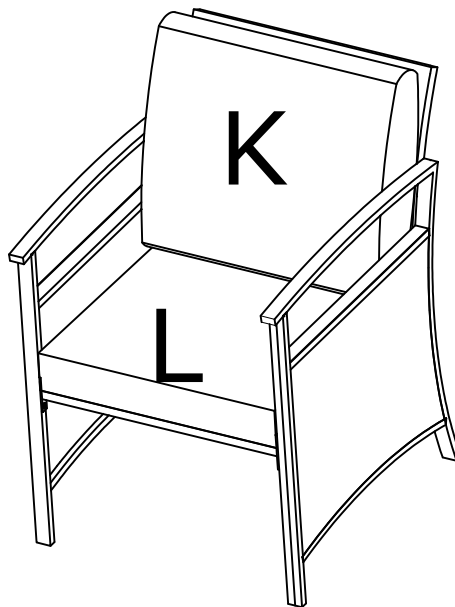
- #3*4
- #4*4



STEP11

K*4

L*4



ATTENTION

1. We care about every customer's using experience, please feel free to chat us if has anything missing or damage or any advice, efficient solution would be offered soon.
2. Recommend to use waterproof furniture cover for entire patio sofa set when out of use to keep them longer performance.
3. Sofa cushion cover can be removable and clean up by cleaner when have stains.
4. It's available to adjust foot height regarding ground condition to keep sofa in balance.