



Warnings and Cautions

Please retain this instruction for future usage and read carefully before assembly.

Make sure you have all the parts & hardware as item list shows.

3 adults or more are recommended to install your Sunroom.

Do not discard any of the packaging until you have checked that you have all the parts and pack of fittings.

Check all bolts for tightness before use, and periodically check and tighten bolts ensure your gazebo works properly.

Some parts might have sharp edger/corners/Please follow basic safety precautions to reduce the risk of hurts.

Avoid installing and settling the solarium in a corridor of heavy wind.

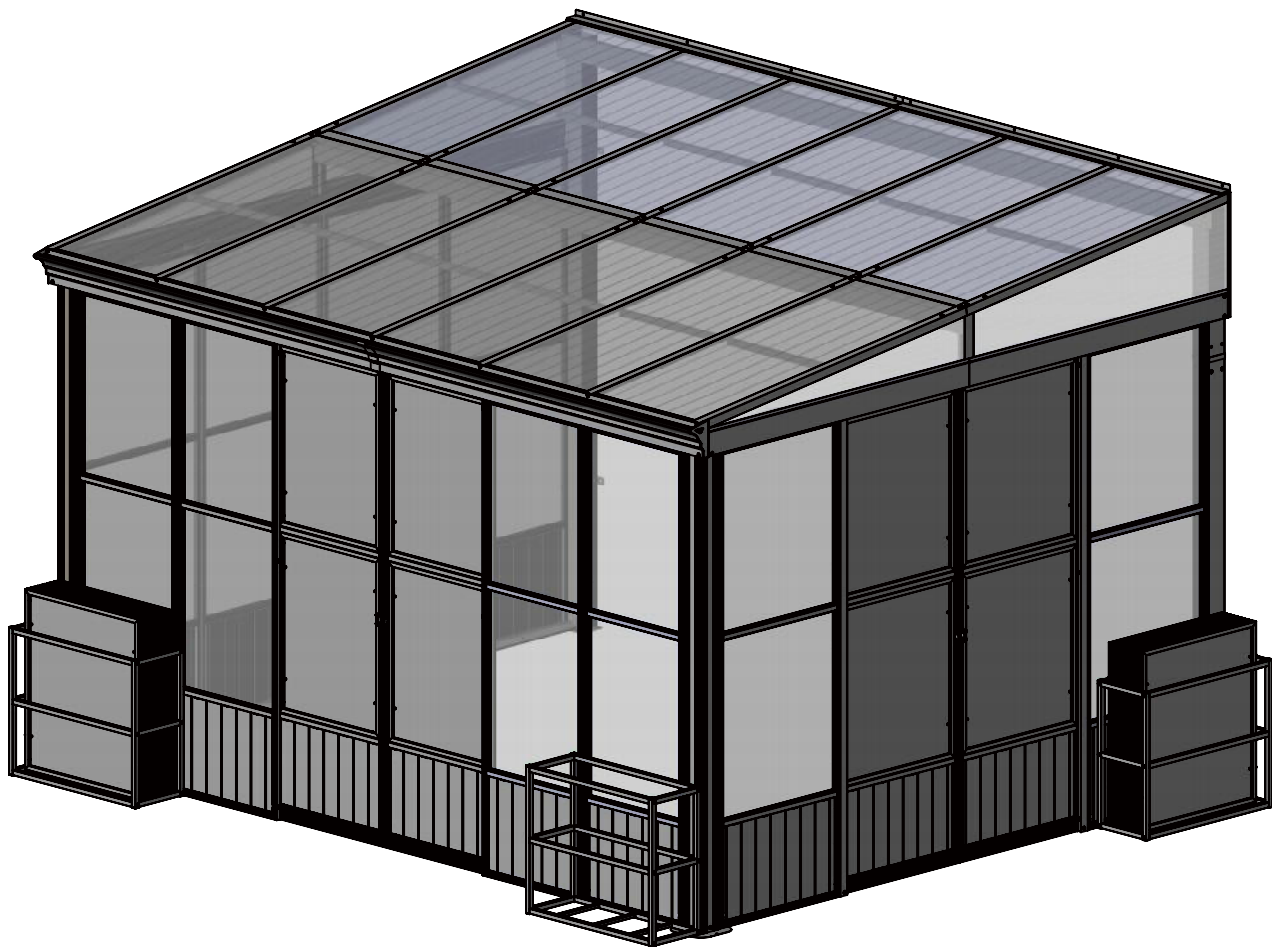
Some assembly parts contain sharp edges, you should wear protective gloves when handling these items.

For safety issues you must not leave the unit unattended if it is not completed, even if it is already anchored to the ground.

*It is essential to place the gazebo on level ground and not less than **6 feet** from any obstruction such as fences, garages, overhanging branches, laundry lines, or electrical wires.*

If you have questions or concerns.

*Please contact us via email at **service@domioutdoorliving.com***



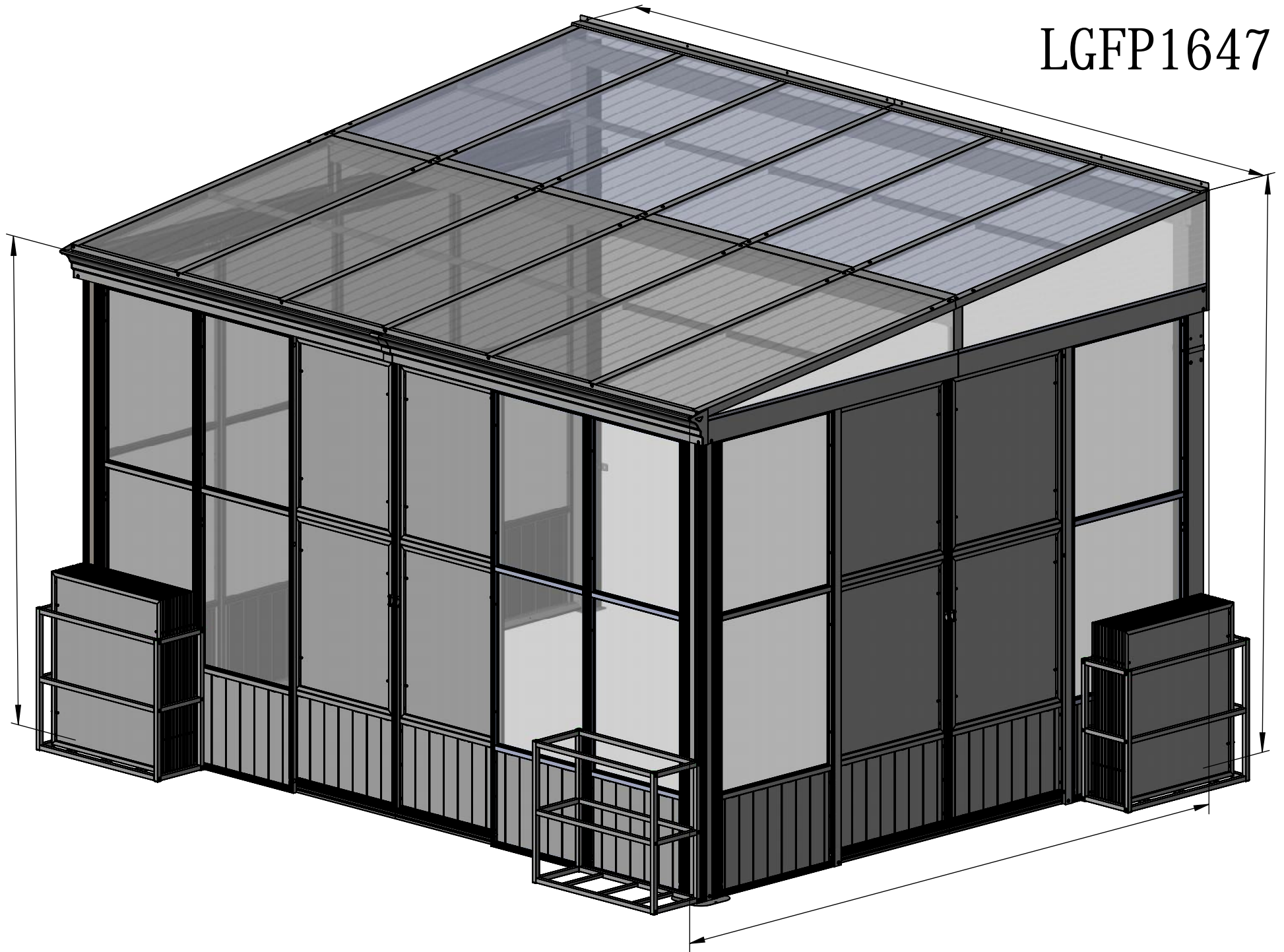
10'x12'

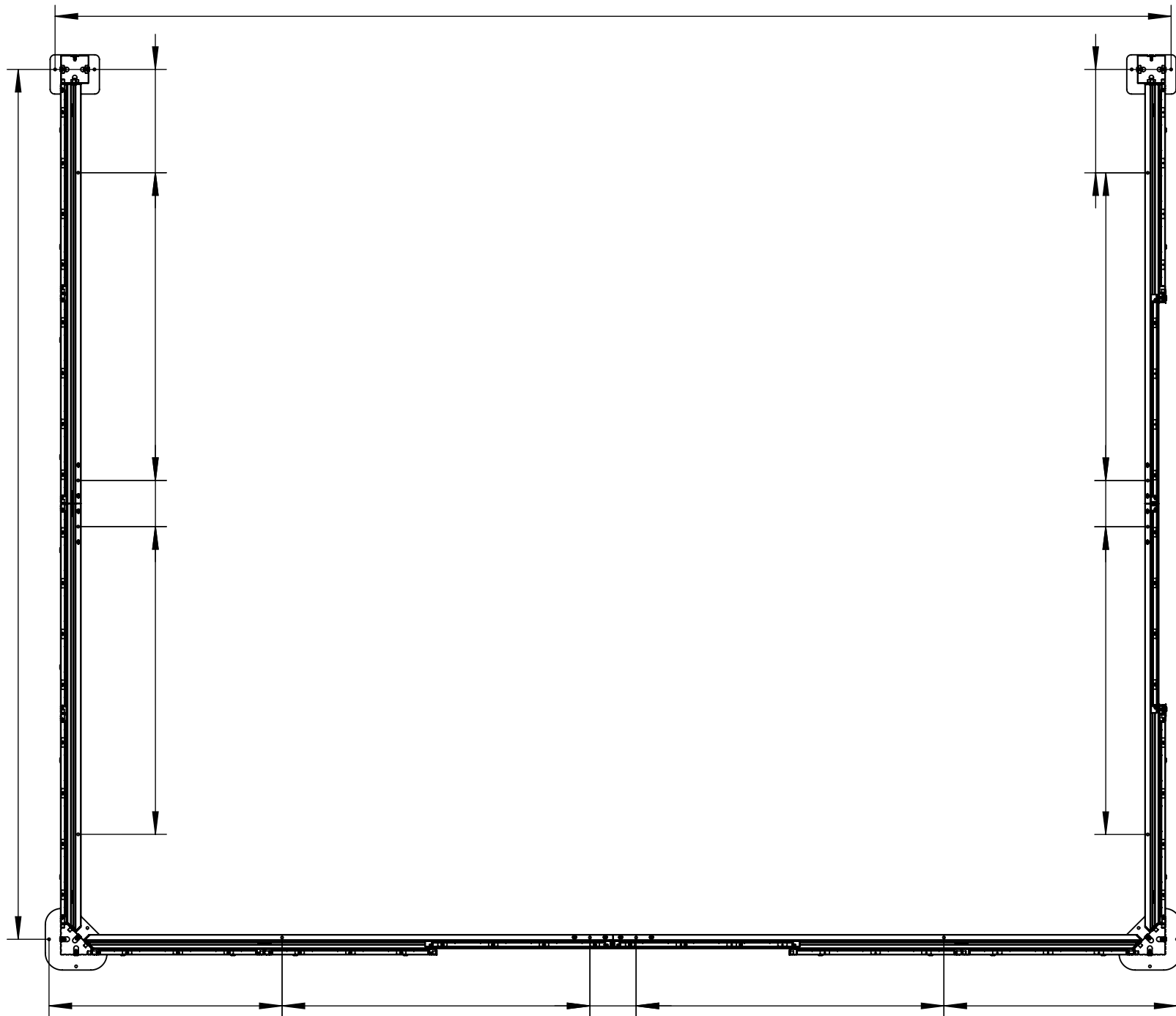
SKU: LGFP1647

Solarium Wall-Mounted
Sunroom

Assembly Manual

LGFP1647





Thank you for your purchase of
Domi outdoor living's Sunroom

Read and follow this assembly and operation guide.

To reduce personal injury and damage to you Sunroom

We recommend a **three-person team** for assembly and disassembly.

Please **remove** snow accumulation at all times.

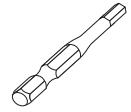
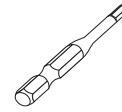
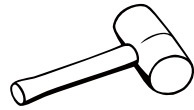
Please schedule enough time to complete the assembly of the sunroom.

It will take approximately 7 hours to set up.

If you like our products, please tell other customers

If you have a problem with our products, please tell us

Please feel free to contact us.



ALLEN KEY

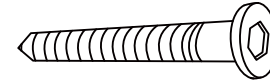
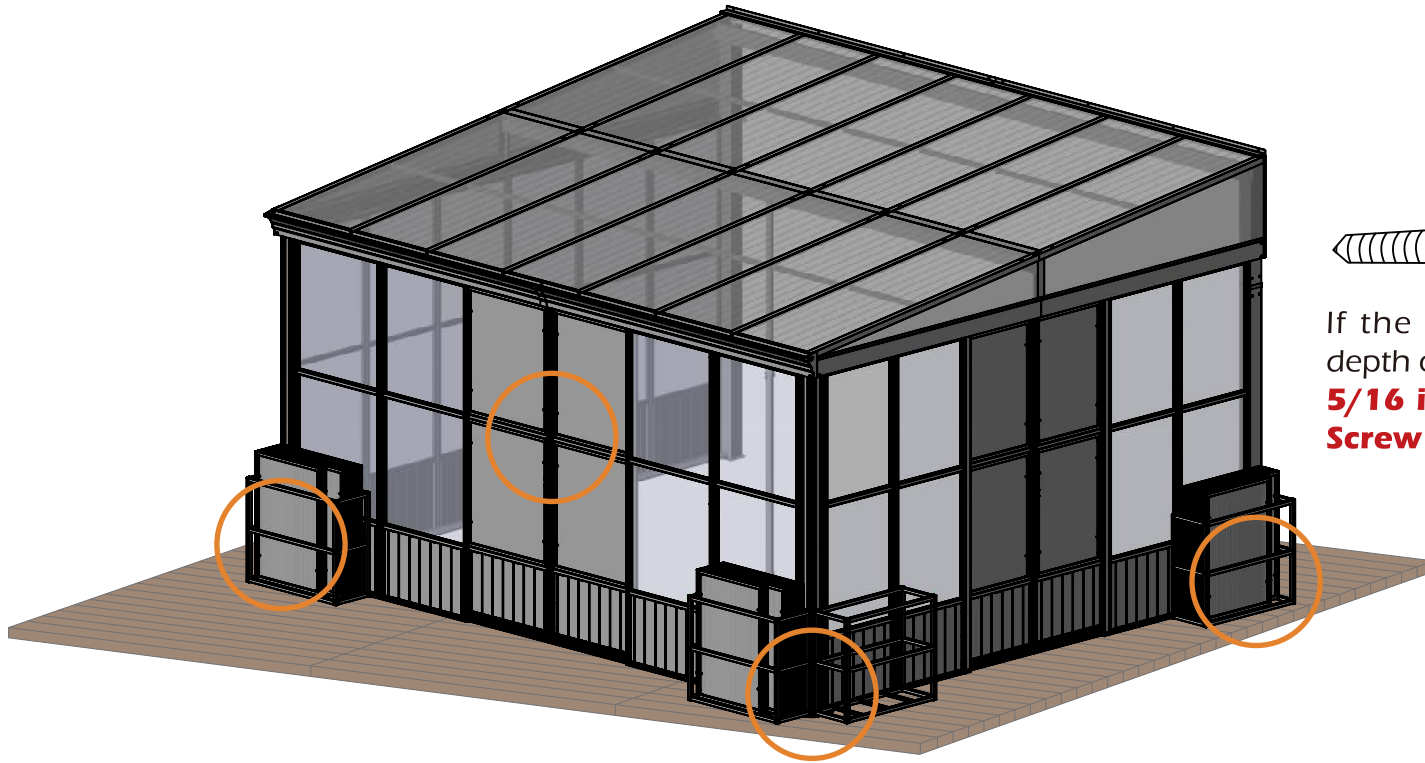


1.

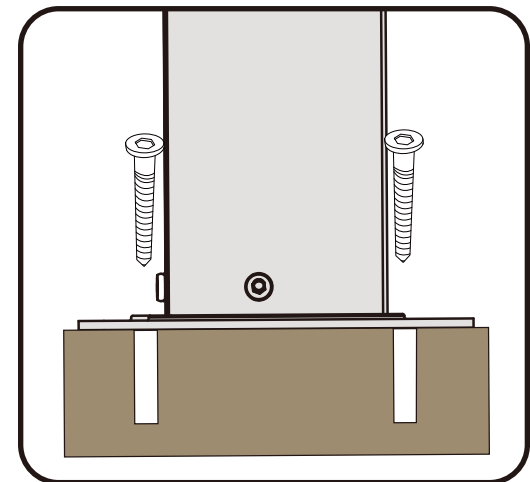
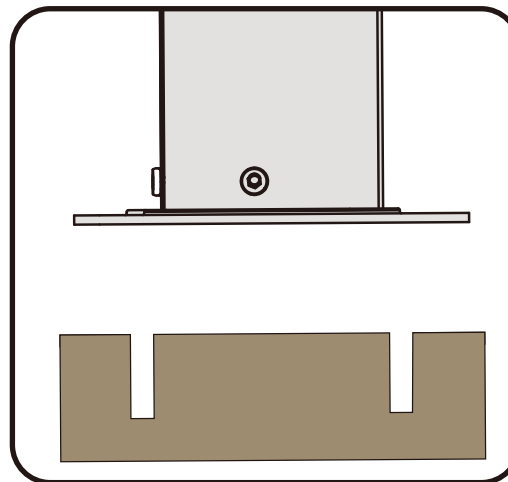


2.

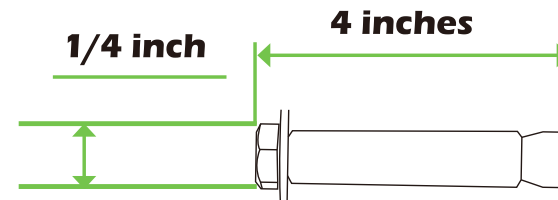
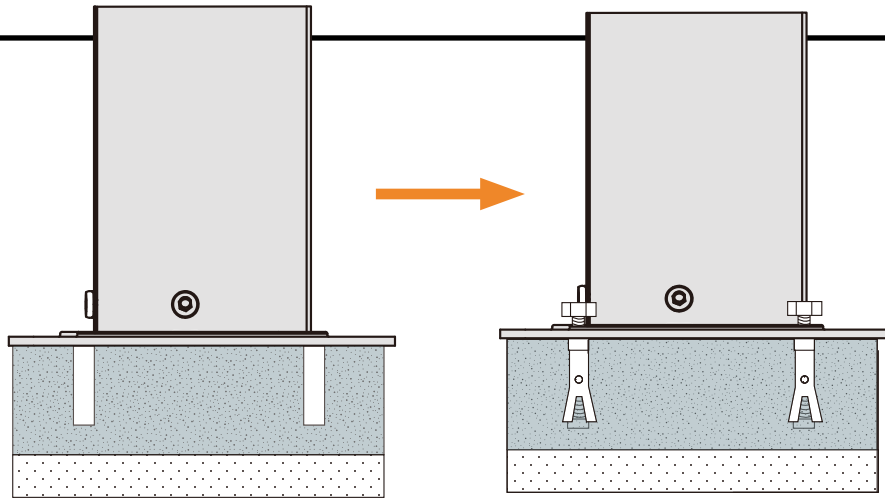
1



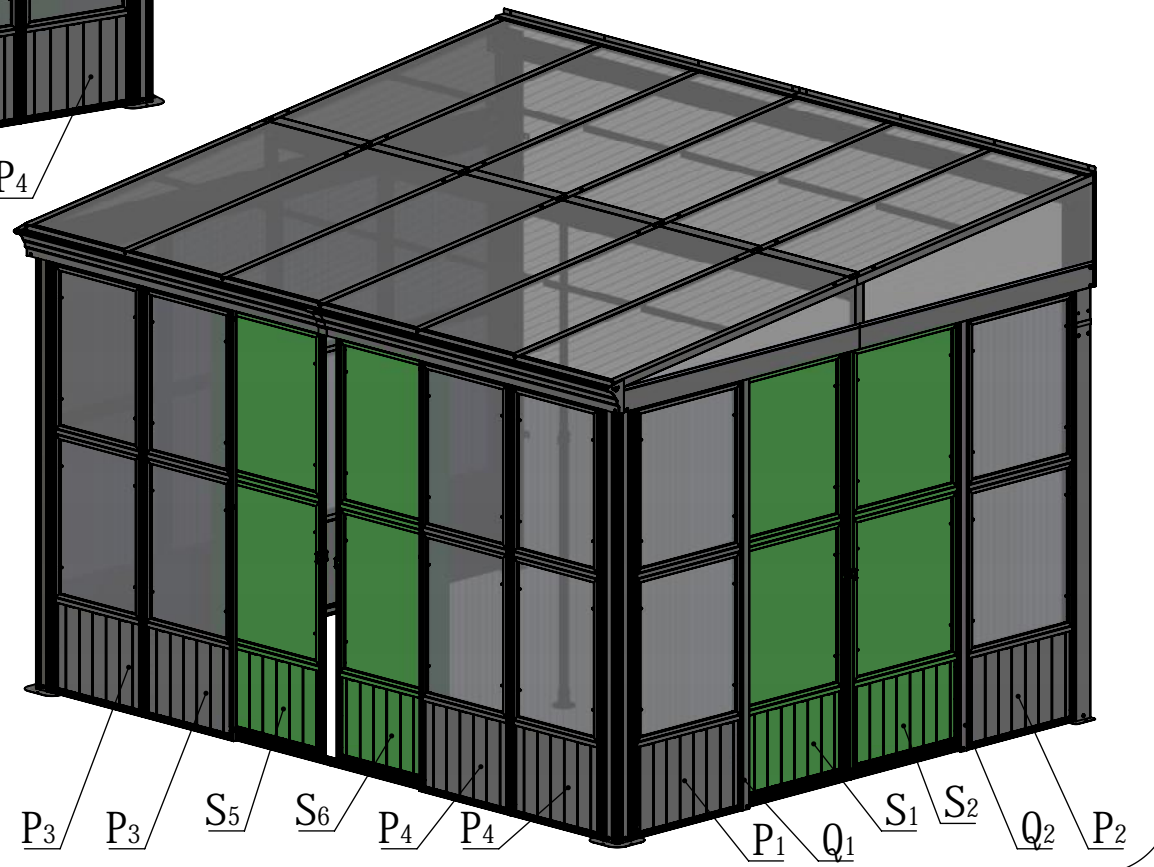
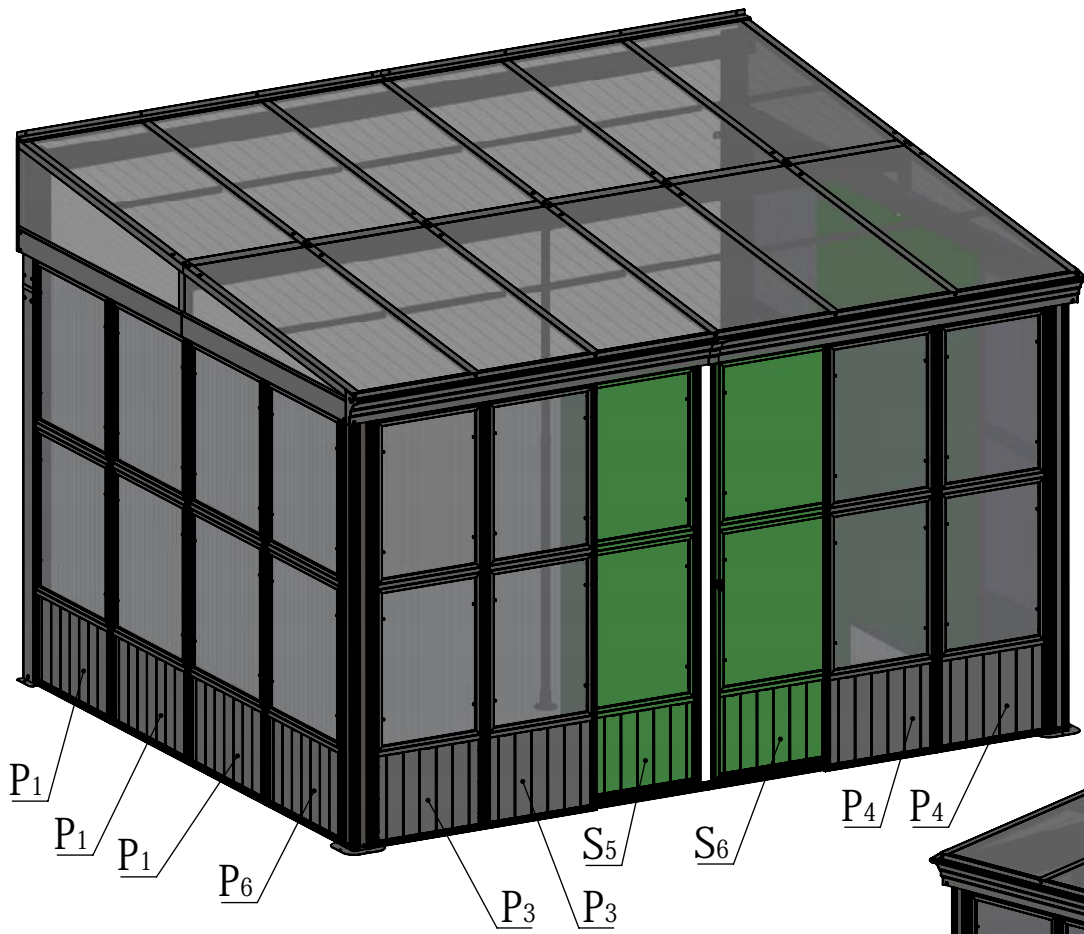
If the deck is hard wood and the depth of it is over 3 inch, you can use **5/16 in. x4 in. Structural Wood Screw** to mount the pergola.

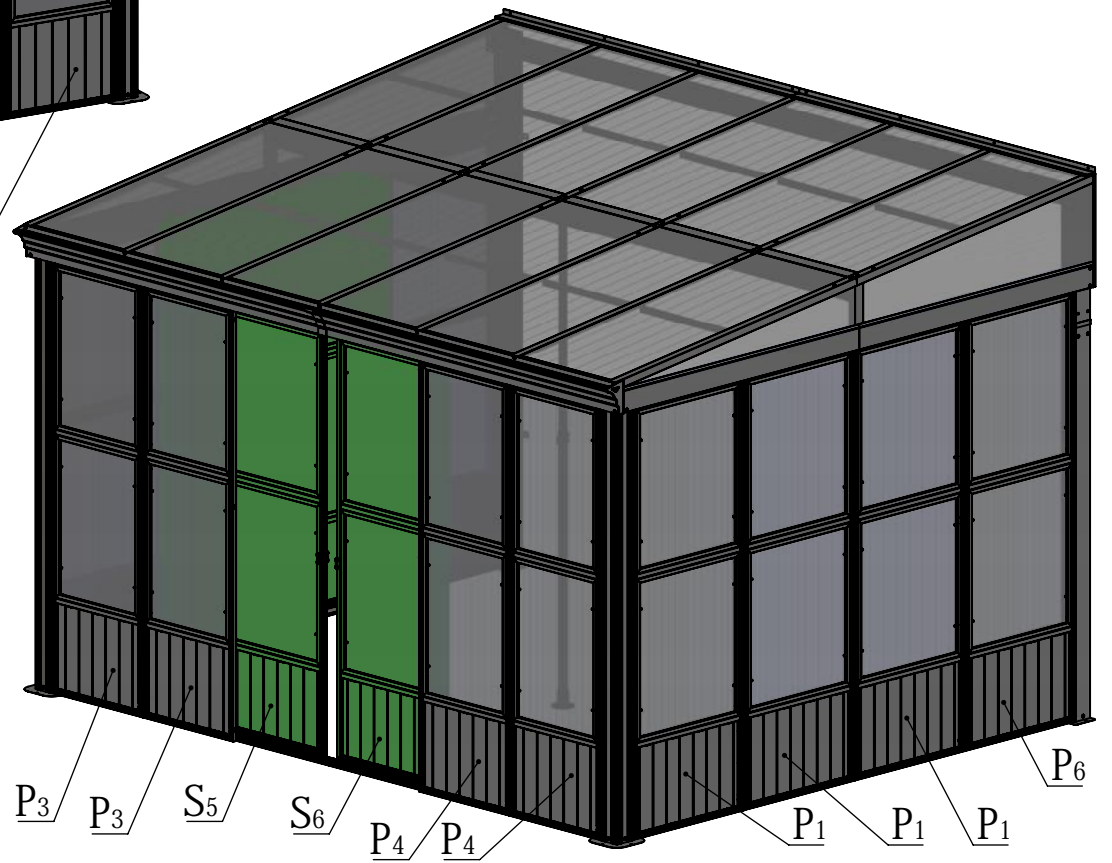
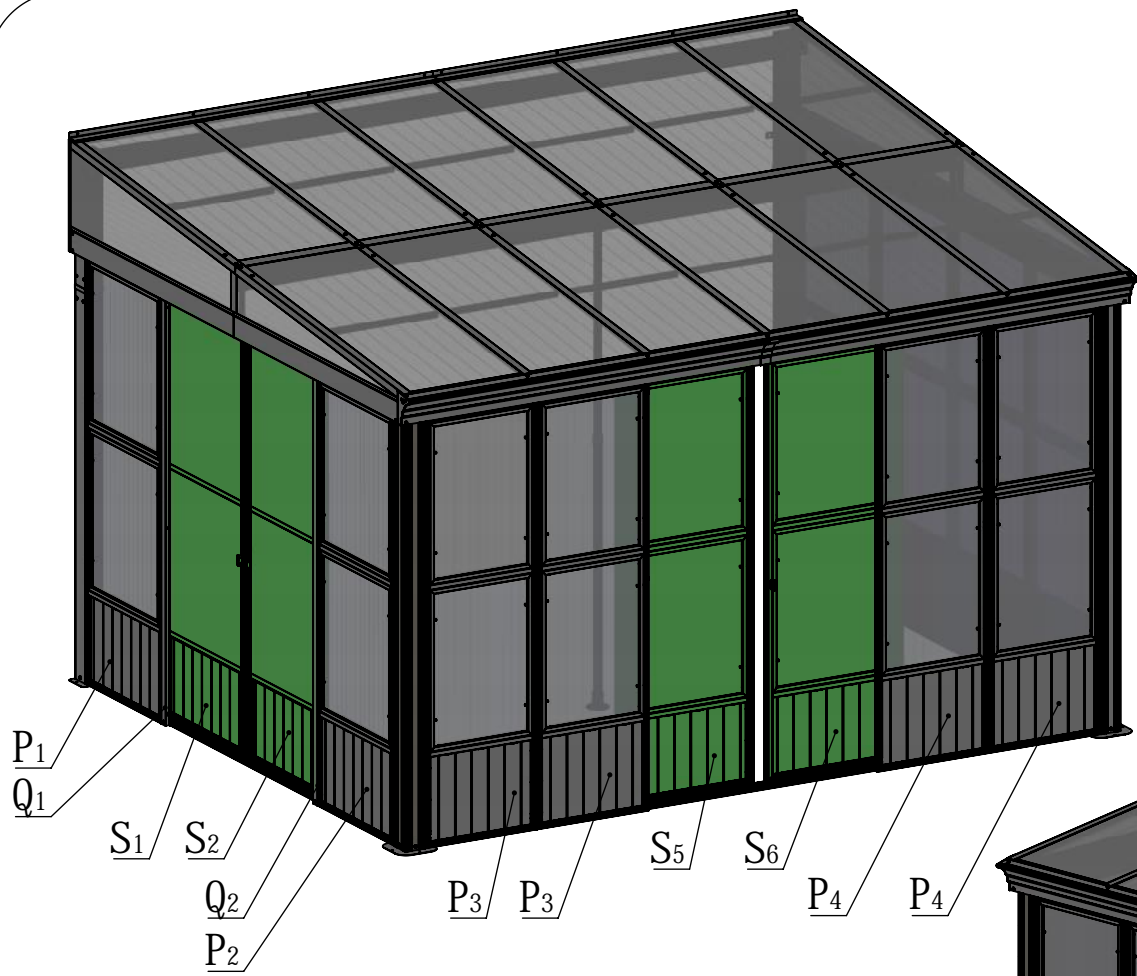


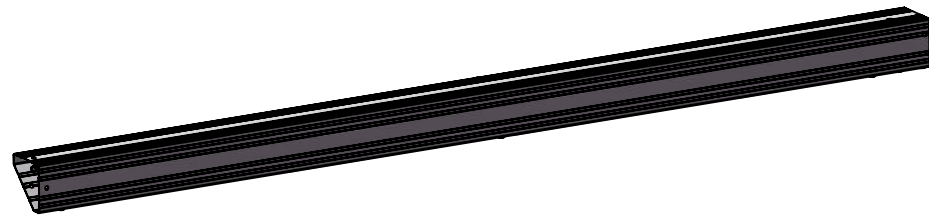
2



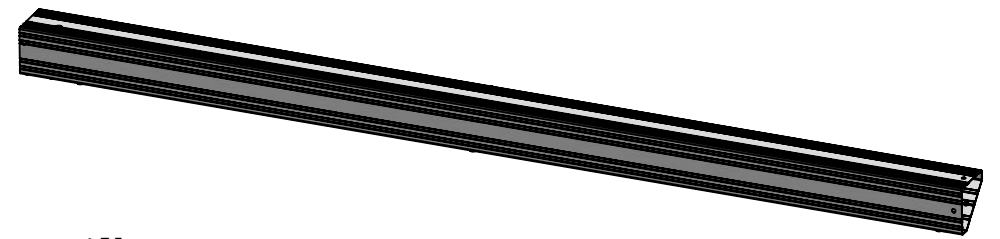
If the ground is concreted and the depth of it is over 3 inch, you can use 1/4 inch expansion bolts to mount the pergola



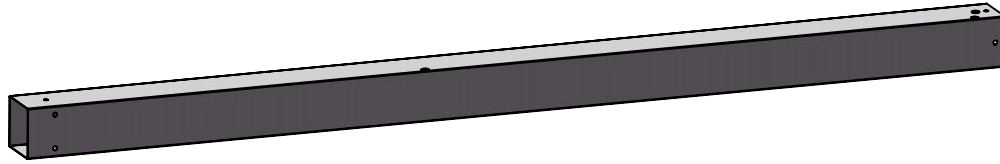




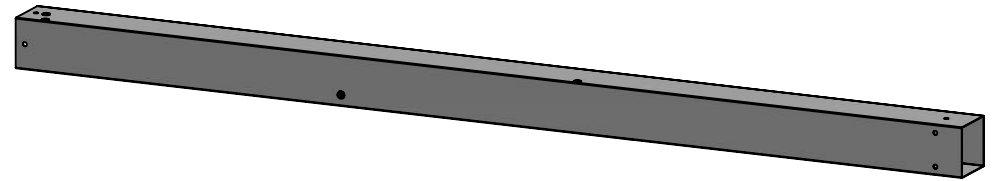
A1 1X



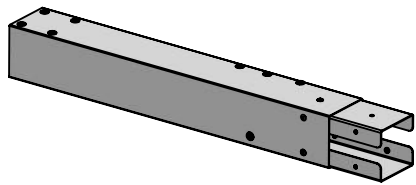
A2 1X



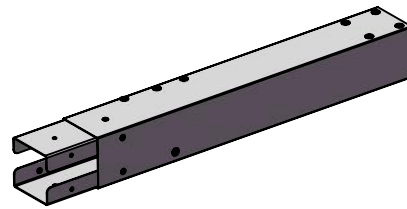
A3 1X



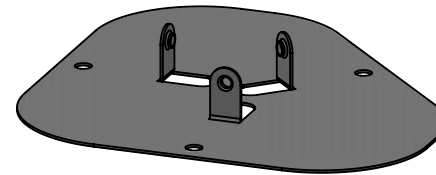
A4 1X



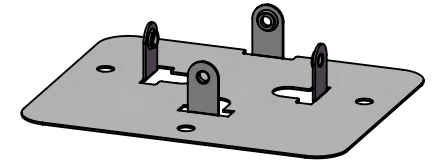
A5 1X



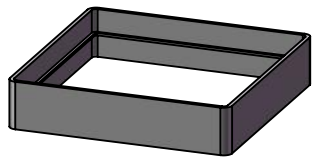
A6 1X



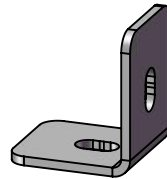
A7 2X



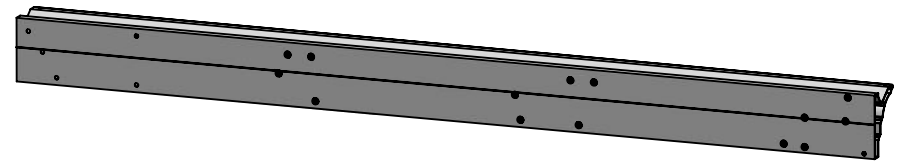
A8 2X



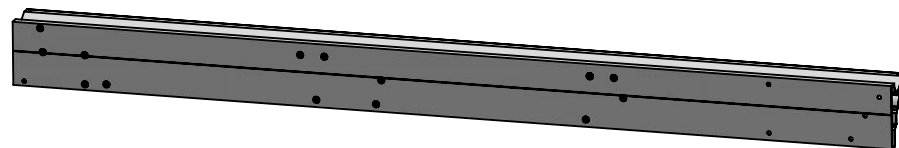
A9 2X



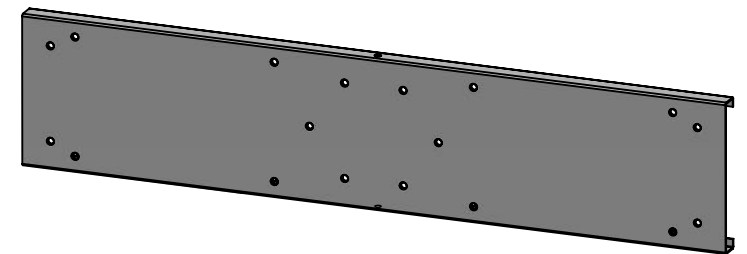
A10 4X



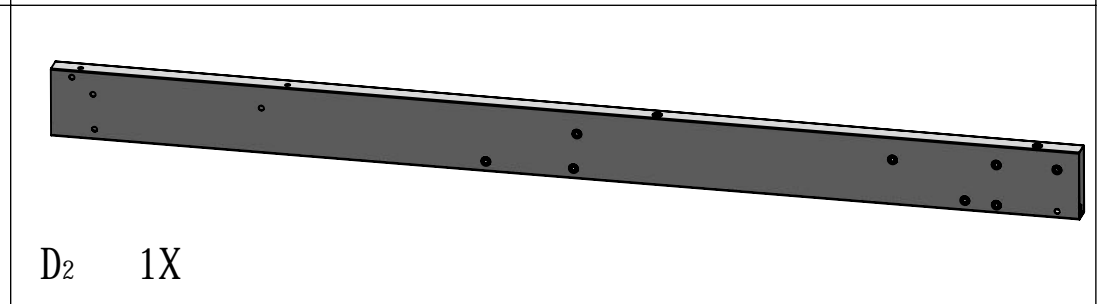
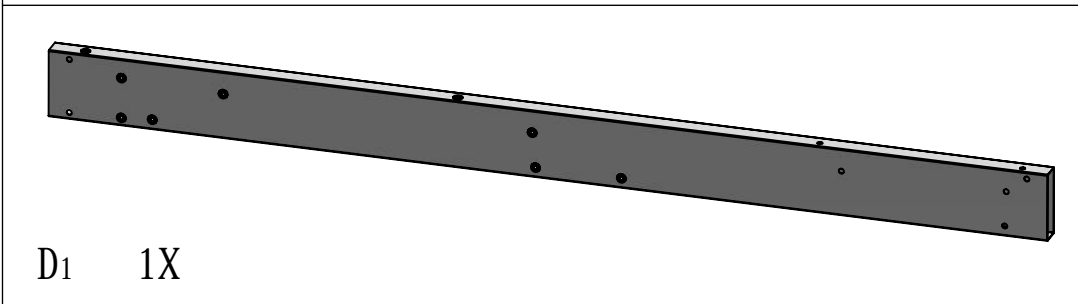
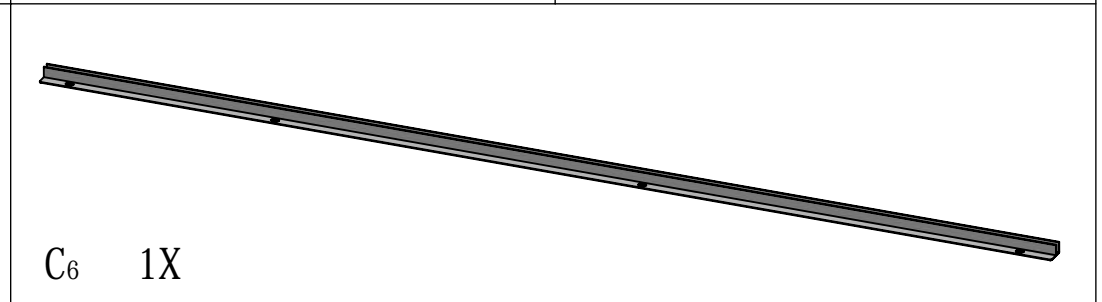
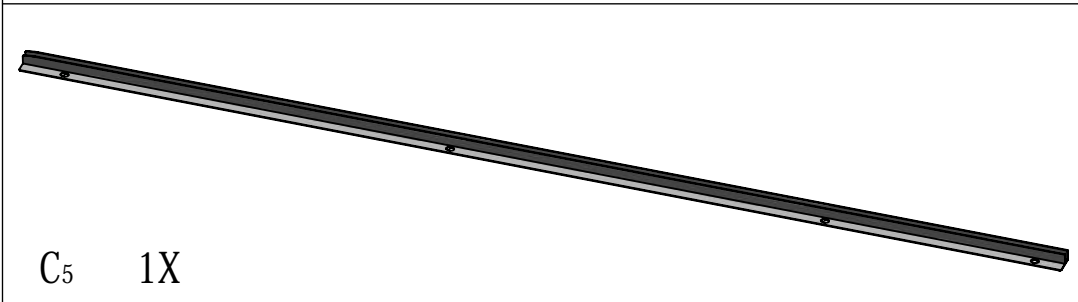
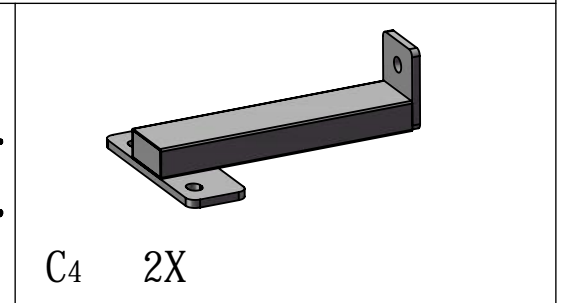
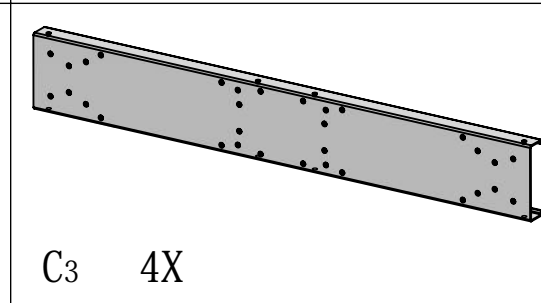
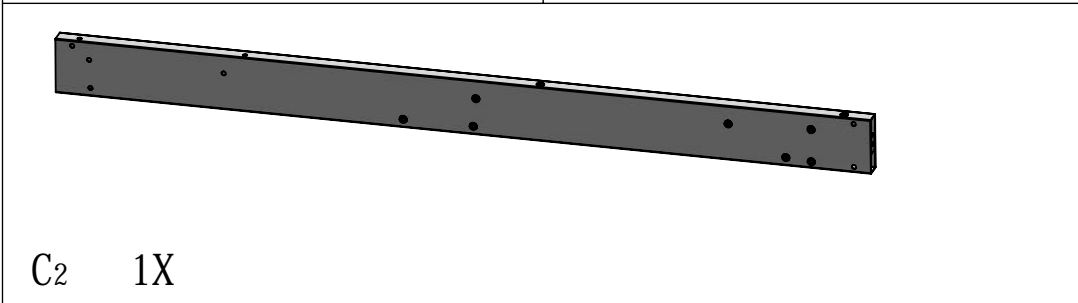
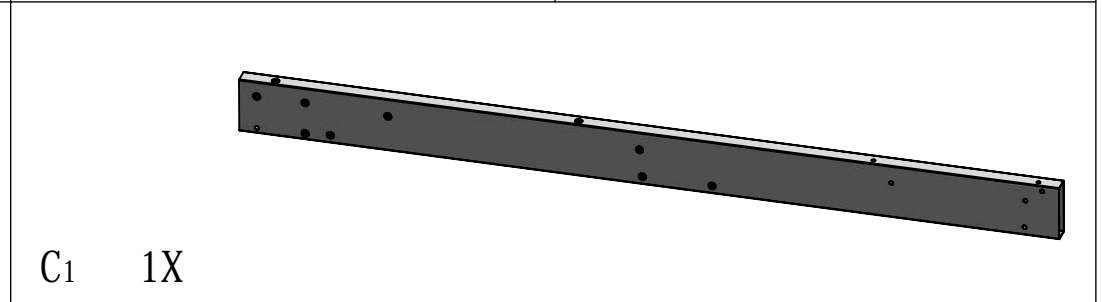
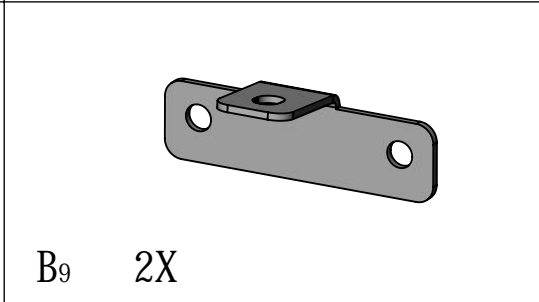
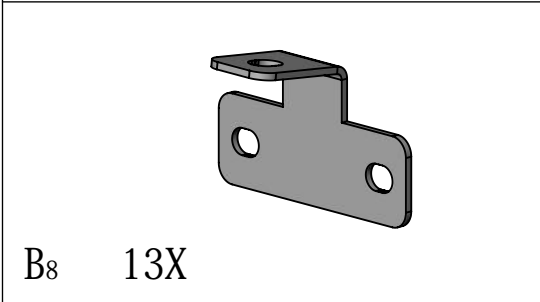
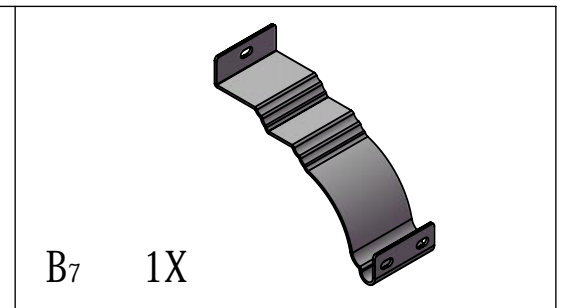
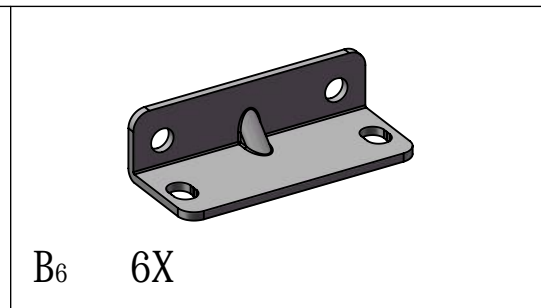
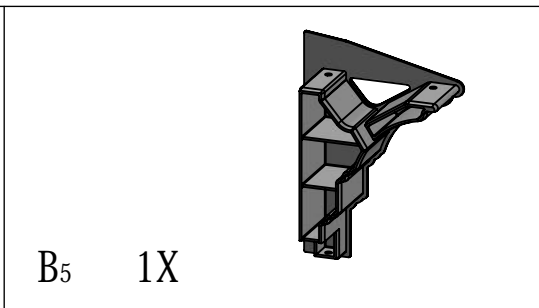
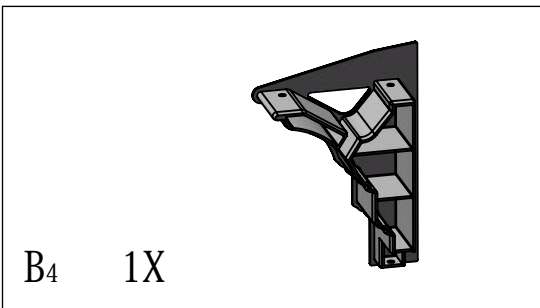
B1 1X

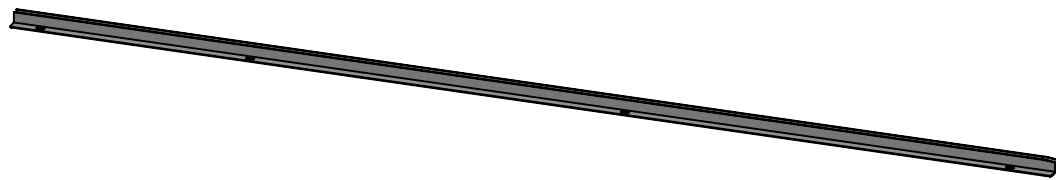


B2 1X

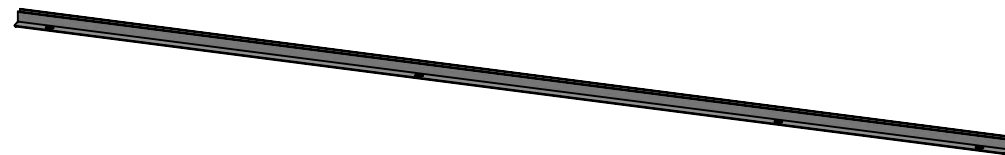


B3 1X

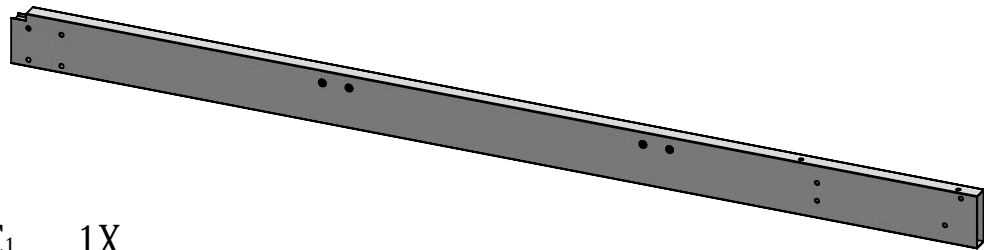




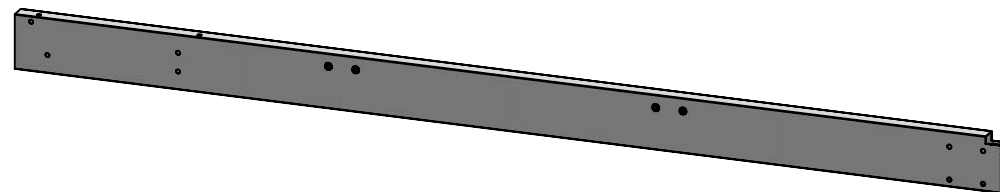
D₃ 1X



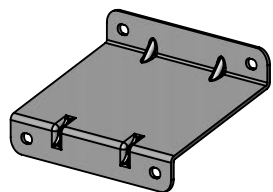
D₄ 1X



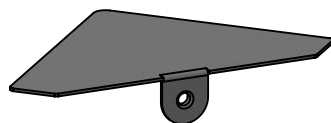
E₁ 1X



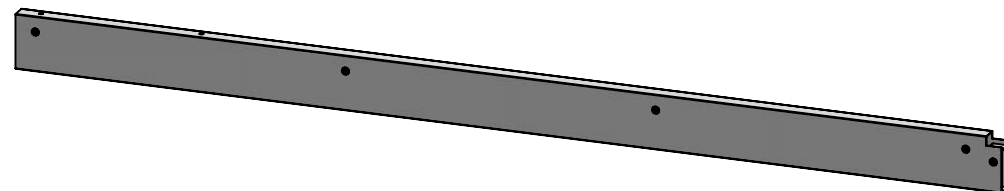
E₂ 1X



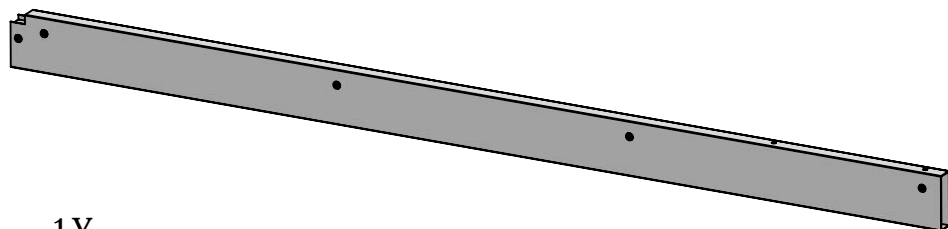
E₃ 1X



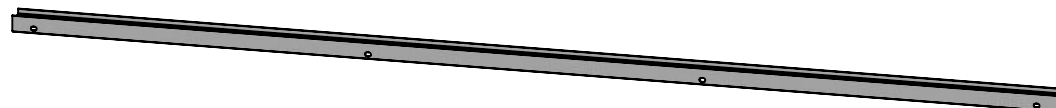
E₄ 2X



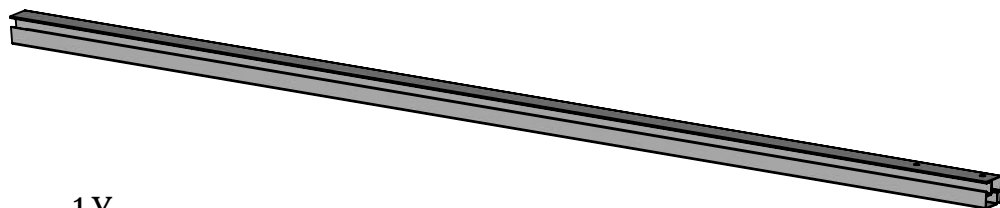
F₁ 1X



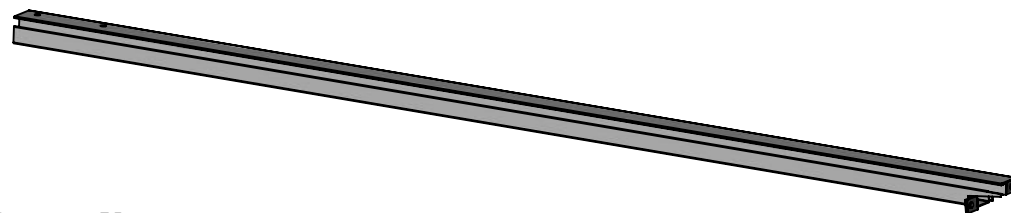
F₂ 1X



F₃ 2X

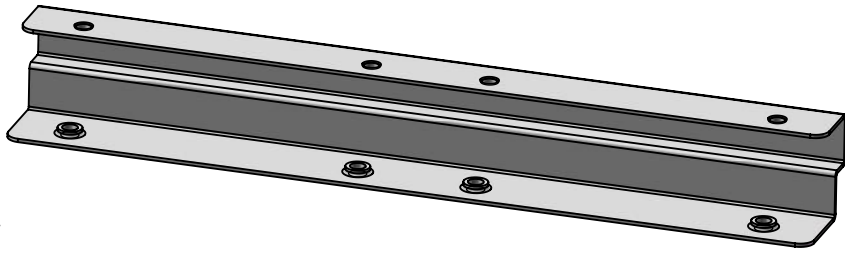


G₁ 1X

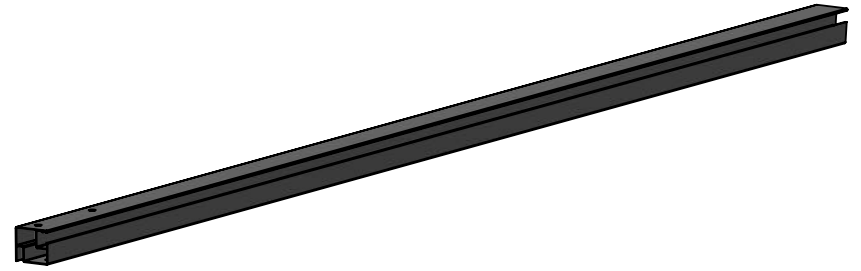


G₂ 1X

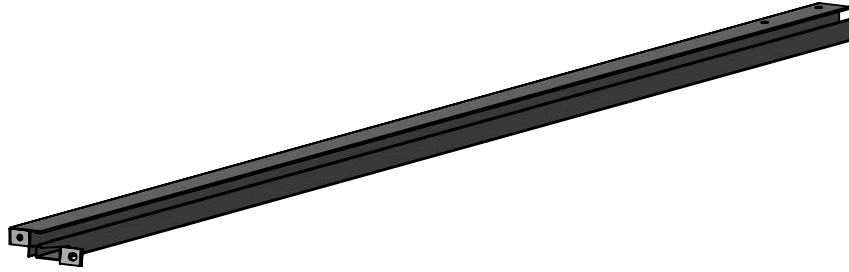
G₃ 2X



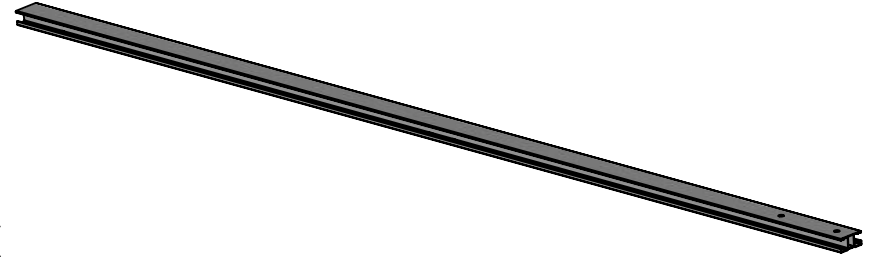
G₄ 1X



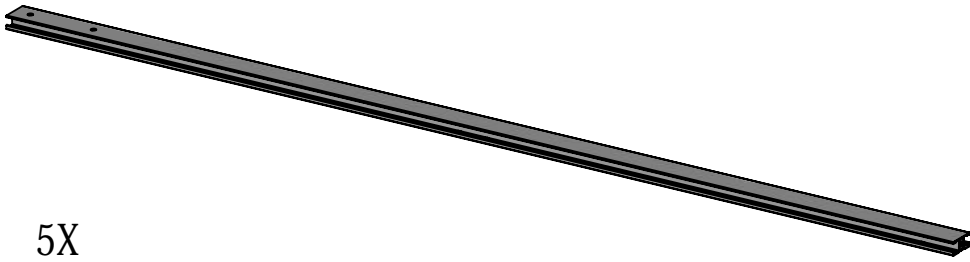
G₅ 1X



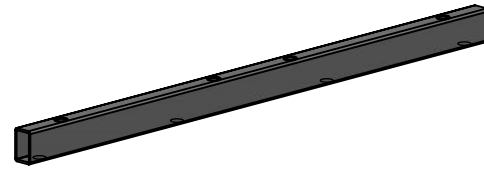
G₆ 5X



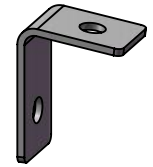
G₇ 5X



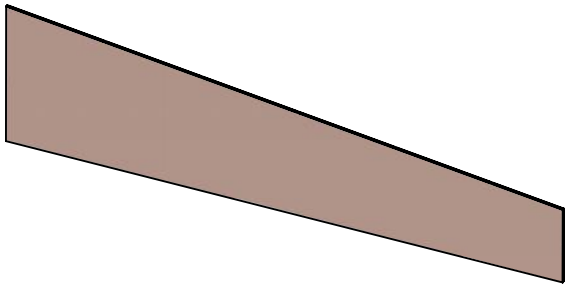
G₈ 5X



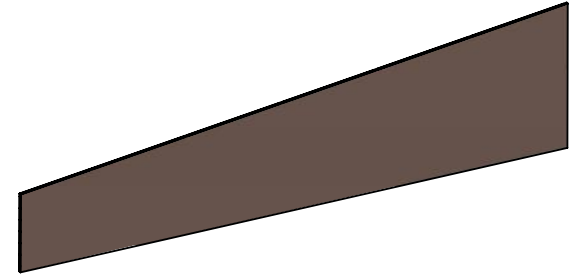
G₉ 4X



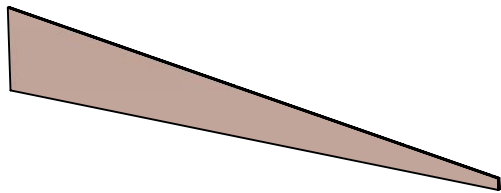
H₁ 1X



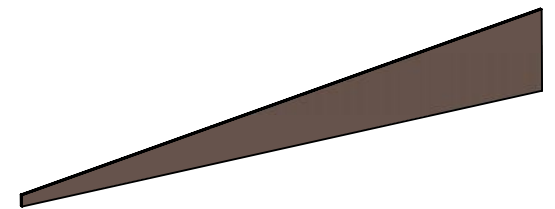
H₂ 1X

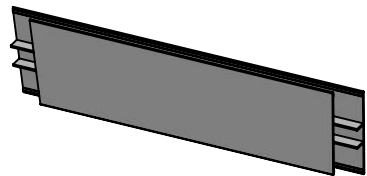


H₃ 1X

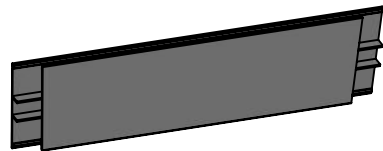


H₄ 1X

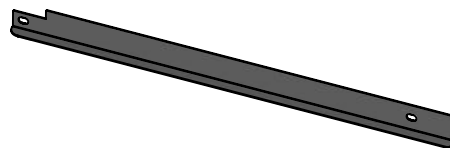




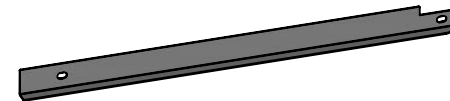
H₅ 1X



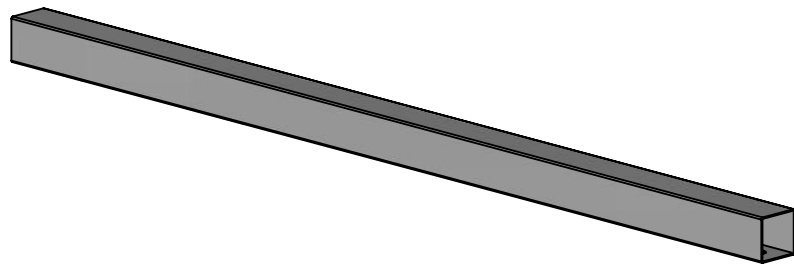
H₆ 1X



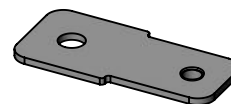
H₇ 1X



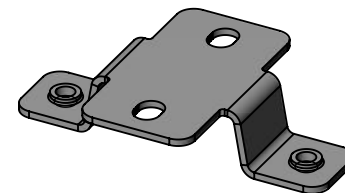
H₈ 1X



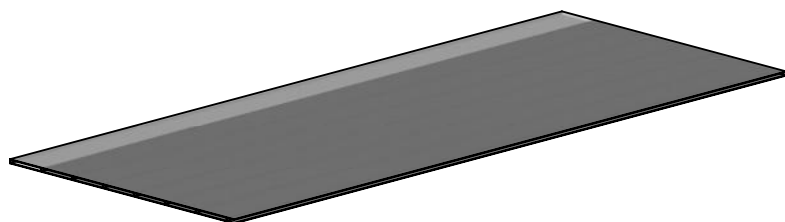
J₁ 12X



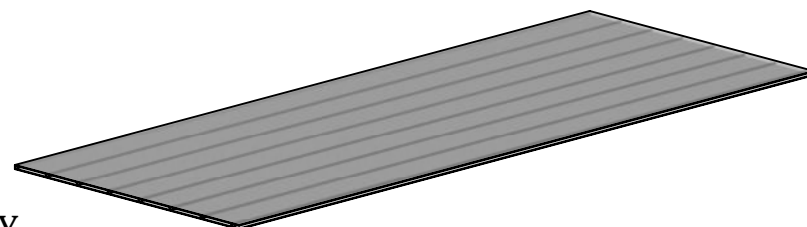
J₂ 4X



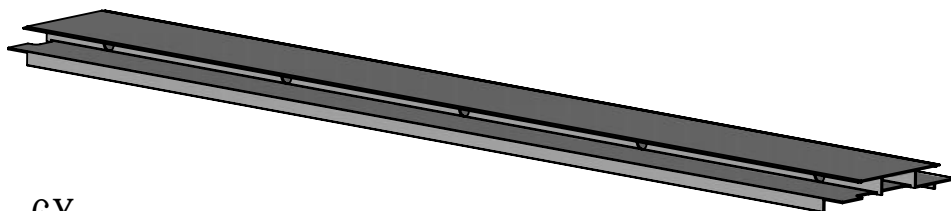
J₃ 10X



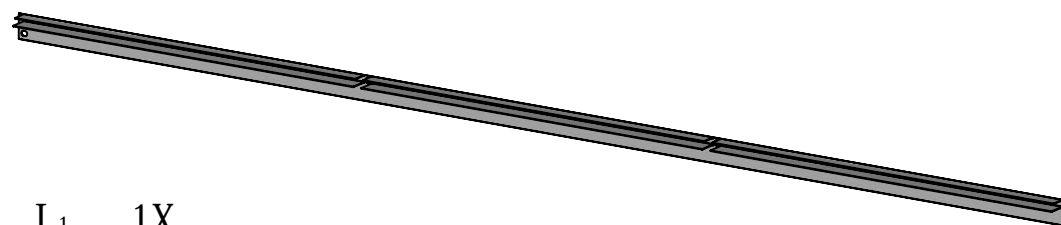
K₁ 6X



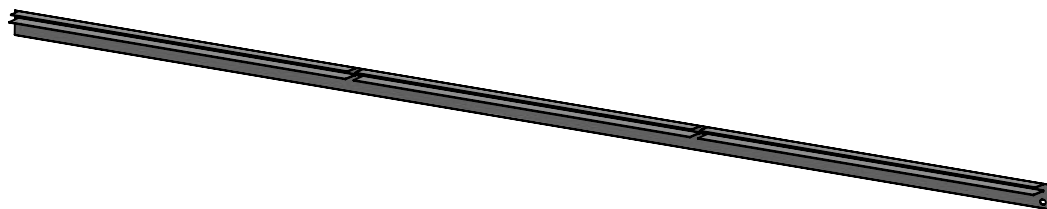
K₂ 6X



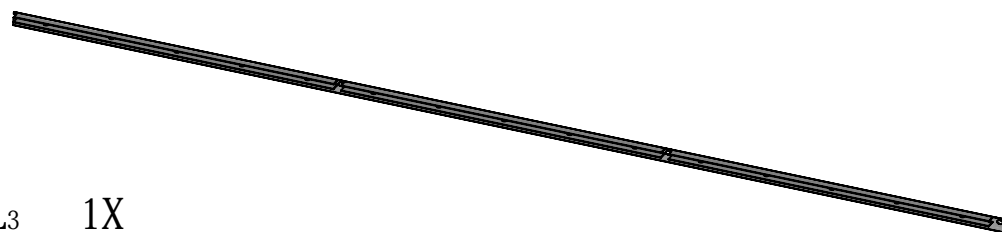
K₃ 6X



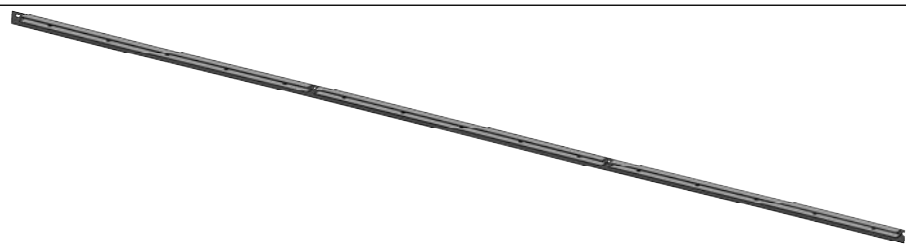
L₁ 1X



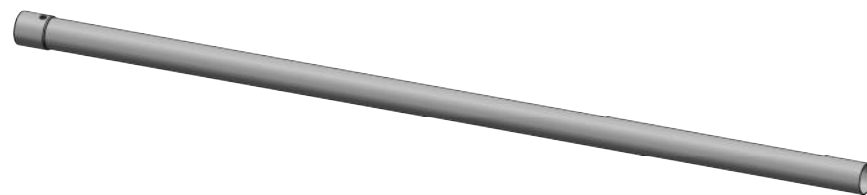
L₂ 1X



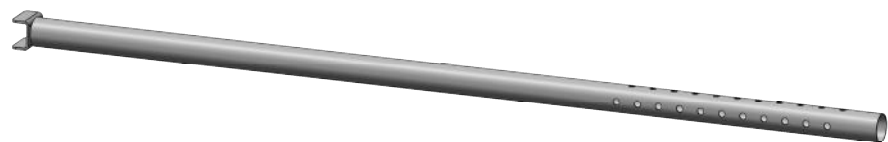
L₃ 1X



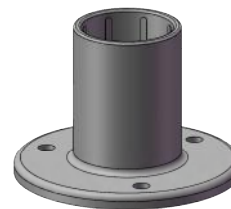
L₄ 1X



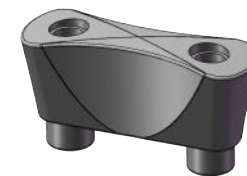
M_i 1X



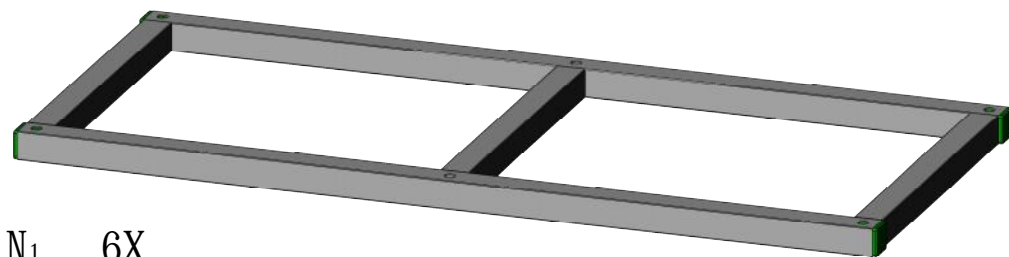
M₂ 1X



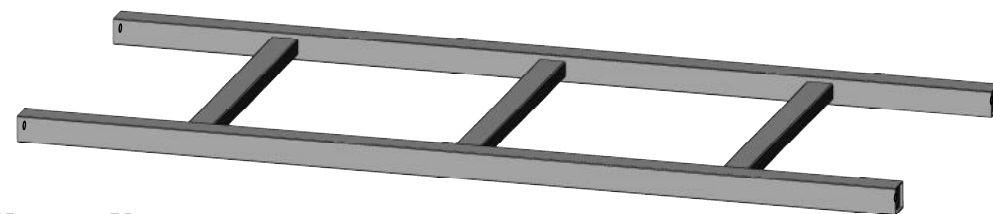
M₃ 1X



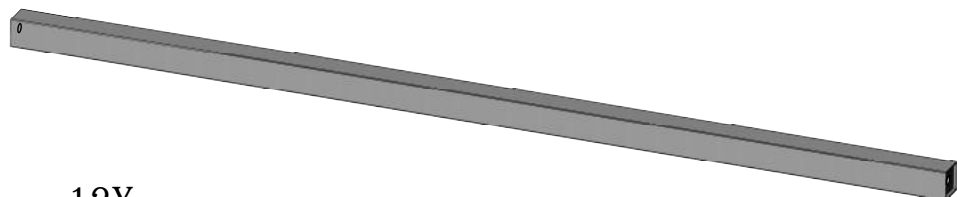
M₄ 8X



N₁ 6X



N₂ 3X



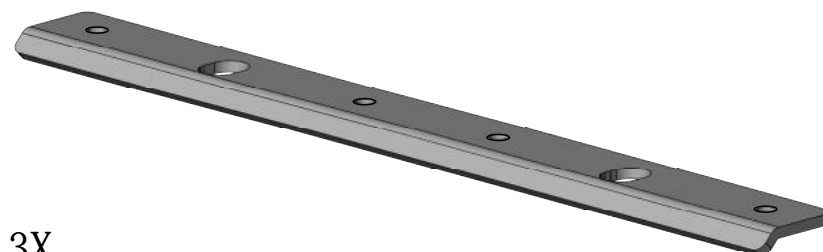
N₃ 12X



O₁ 1X



O₂ 1X



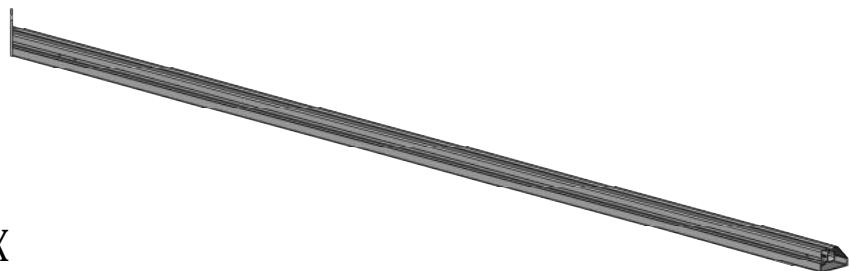
O₃ 3X



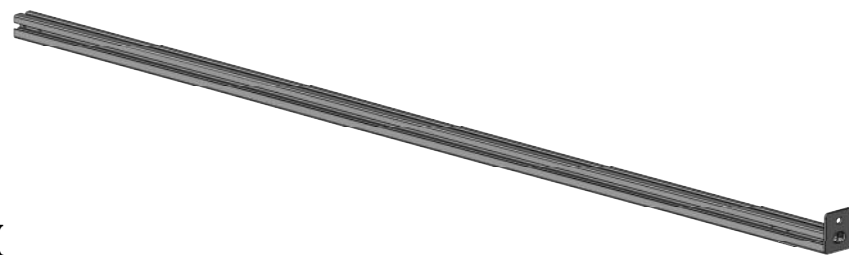
O₄ 1X



O₅ 1X



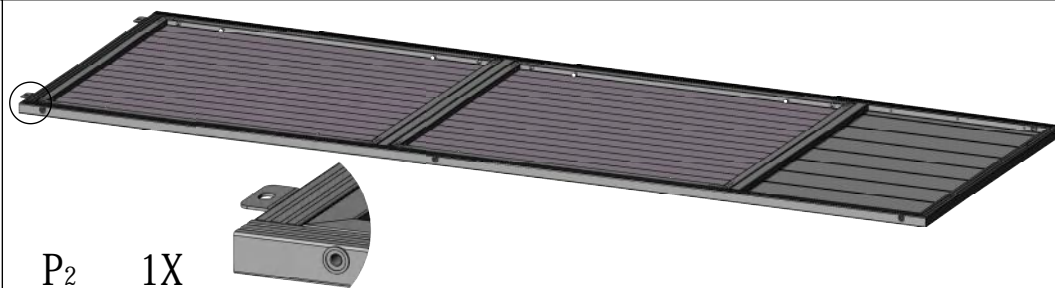
O₆ 1X



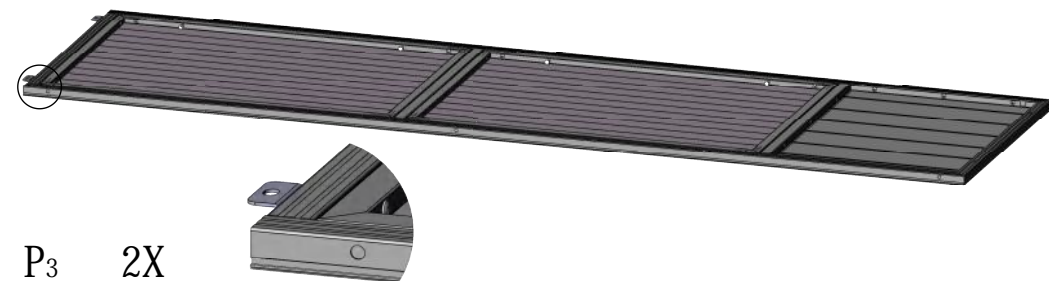
O₇ 1X



P₁ 4X



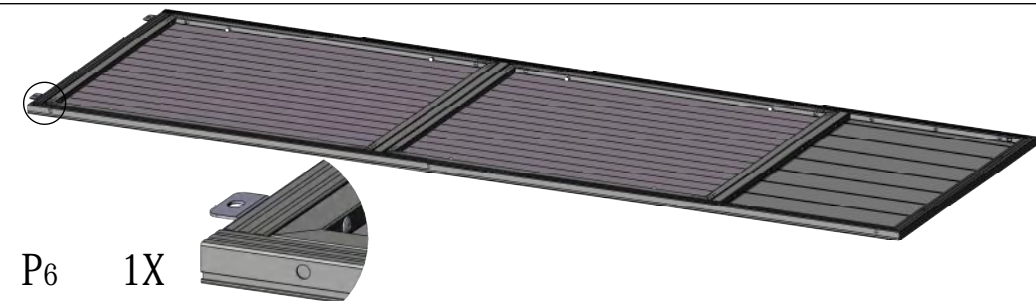
P₂ 1X



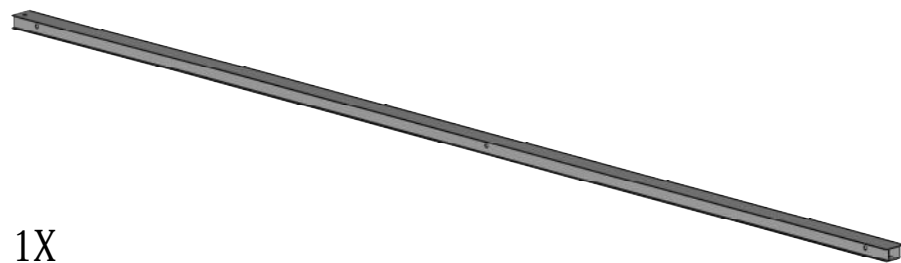
P₃ 2X



P₄ 2X



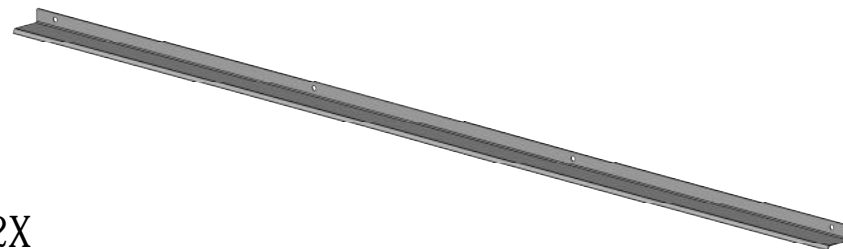
P₆ 1X



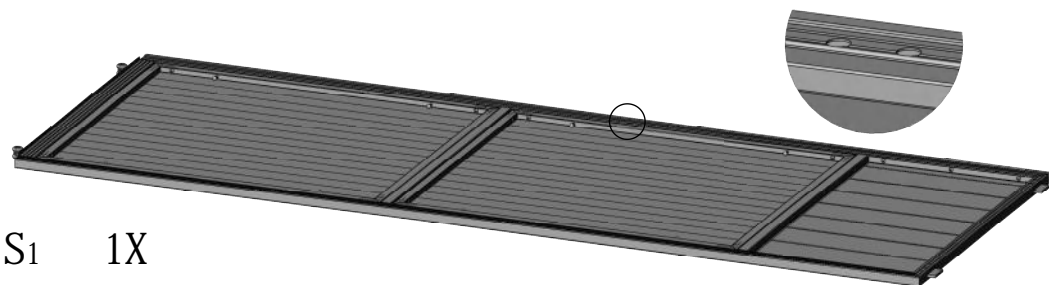
Q₁ 1X



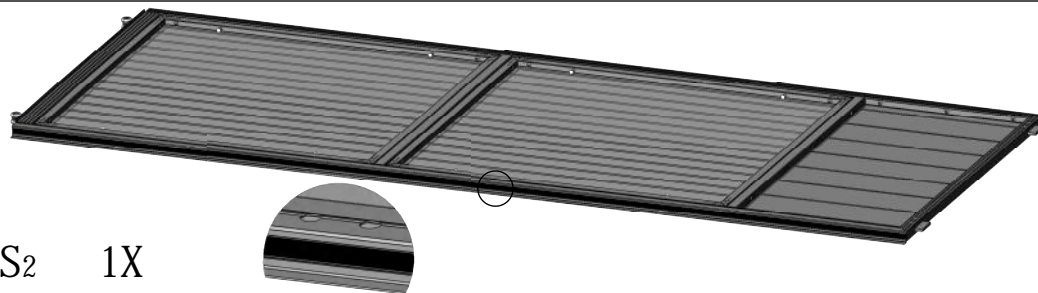
Q₂ 1X



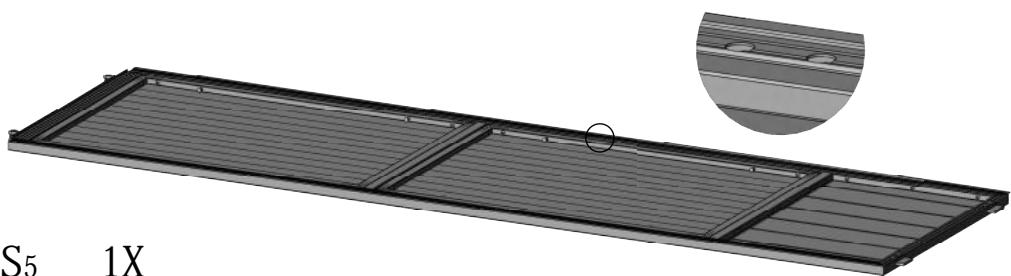
R₁ 2X



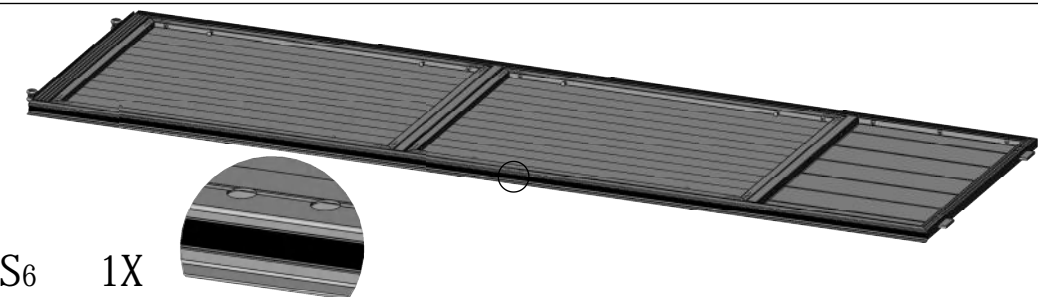
S₁ 1X



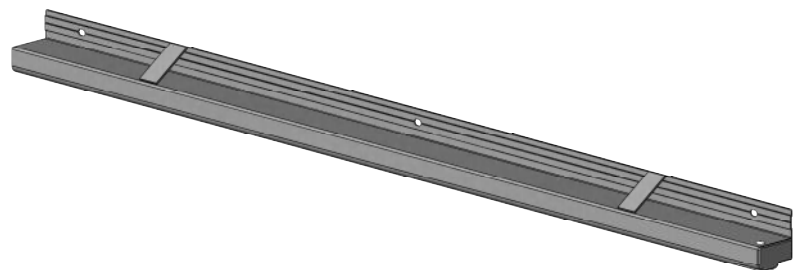
S₂ 1X



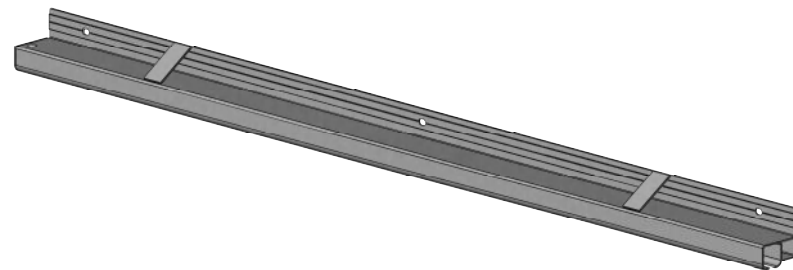
S₅ 1X



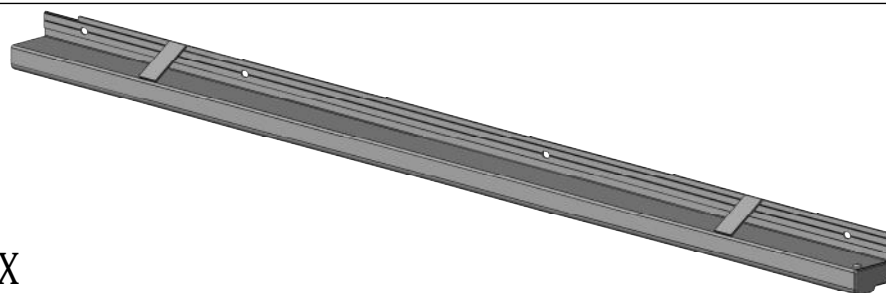
S₆ 1X



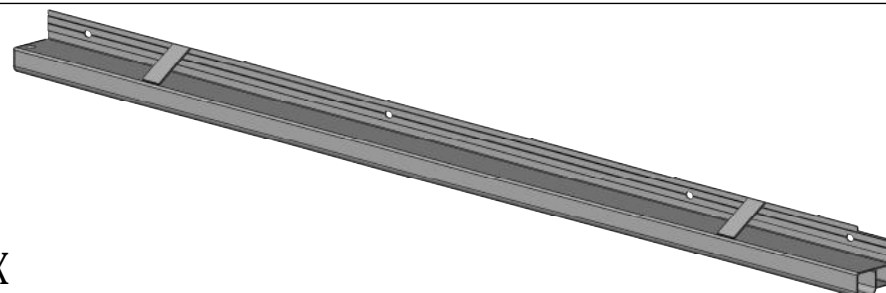
T₁ 1X



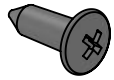
T₂ 1X



T₃ 1X



T₄ 1X



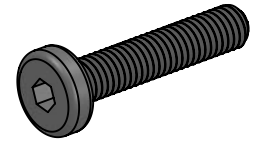
1# 6

ST4.8*13



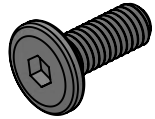
2# 1

M5*12



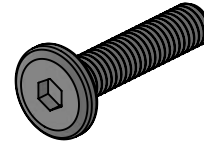
3# 36

M6*30



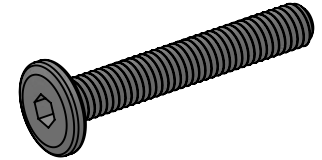
4# 360

M6*16



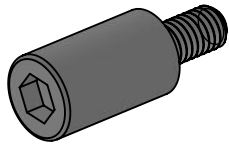
5# 22

M6*28



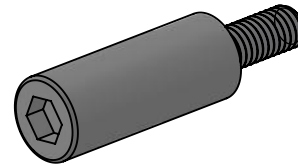
6# 14

M6*40



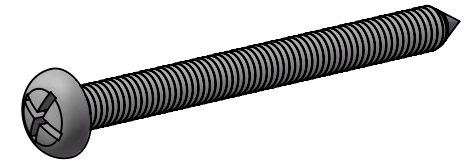
7# 2

M6*12(L20)



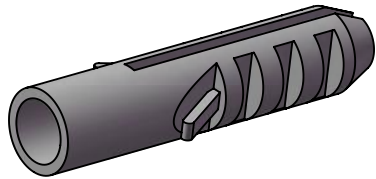
8# 6

M6*15(L30)

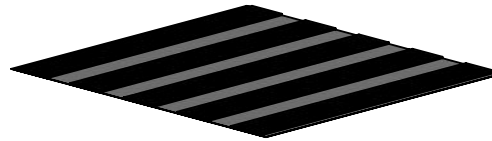


9# 14

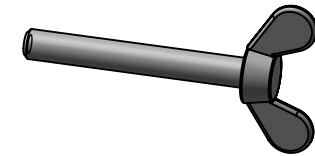
ST6*70



10# 14

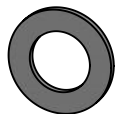


11# 1



12# 1

M8*60



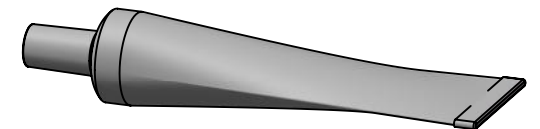
13# 1

M8



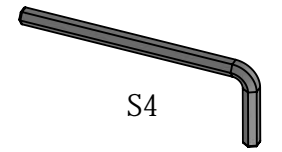
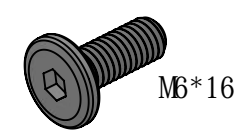
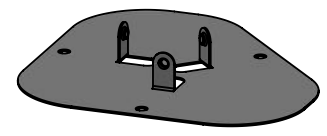
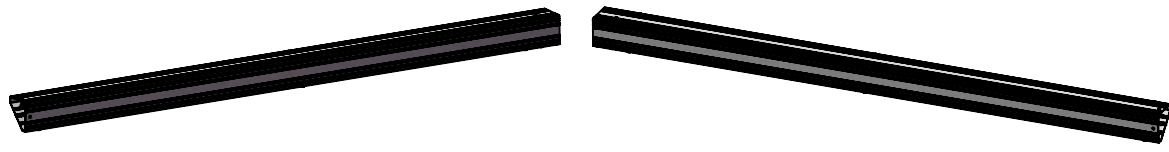
14# 1

M8



15# 1

<p>16# 1 S4</p> 	<p>17# 1 S6</p> 	<p>18# 1</p> 
<p>19# 33 M6*30</p> 	<p>20# 33</p> 	<p>21# 16</p> 
<p>22# 16 M4*10</p> 	<p>23# 8 M4</p> 	<p>24# 22 M6</p> 
<p>25# 1 S5</p> 	<p>26# 6</p> 	<p>27# 2 D18/d6</p> 
<p>28# 1</p> 		



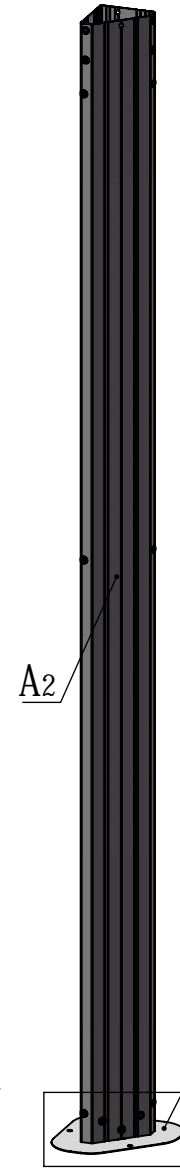
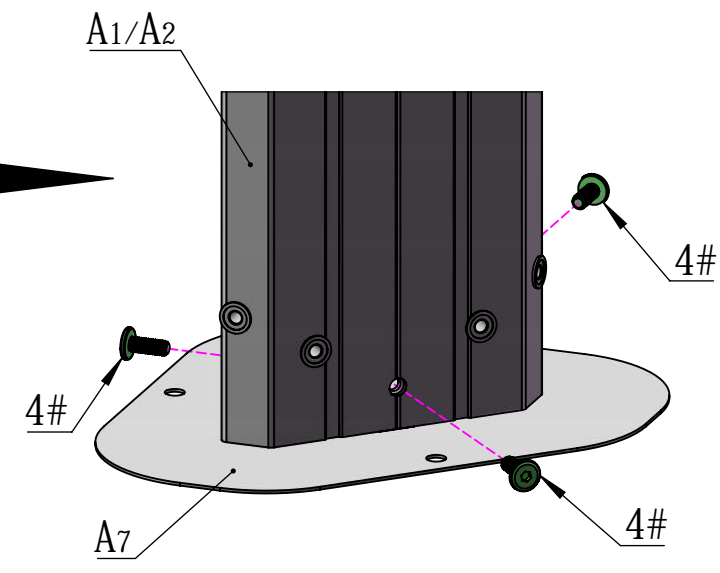
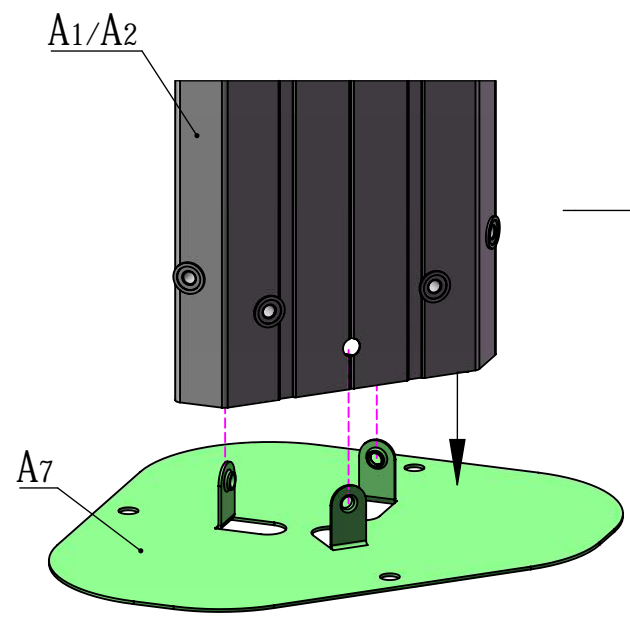
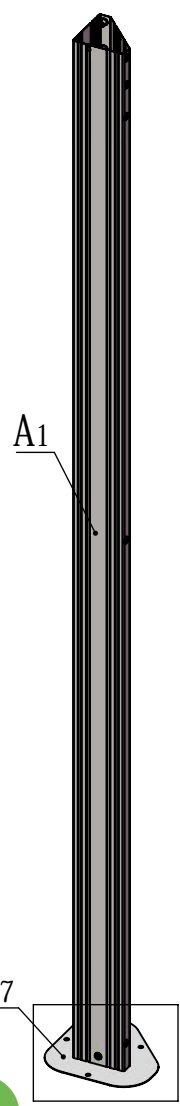
A1 1X

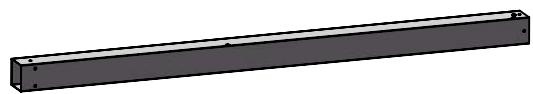
A2 1X

A7 2X

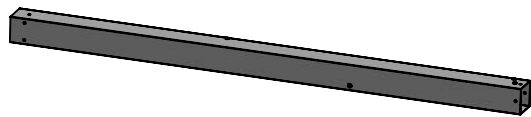
4# 6X

16# 1X

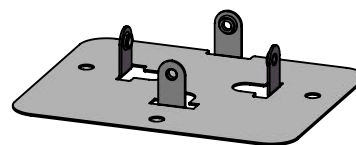




A3 1X



A4 1X

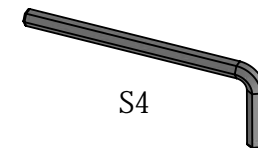


A8 2X



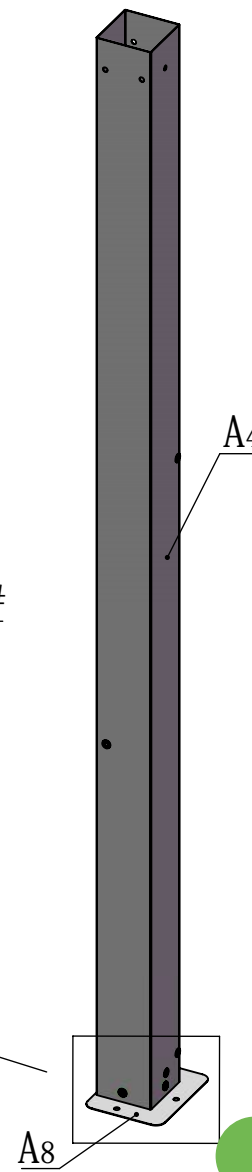
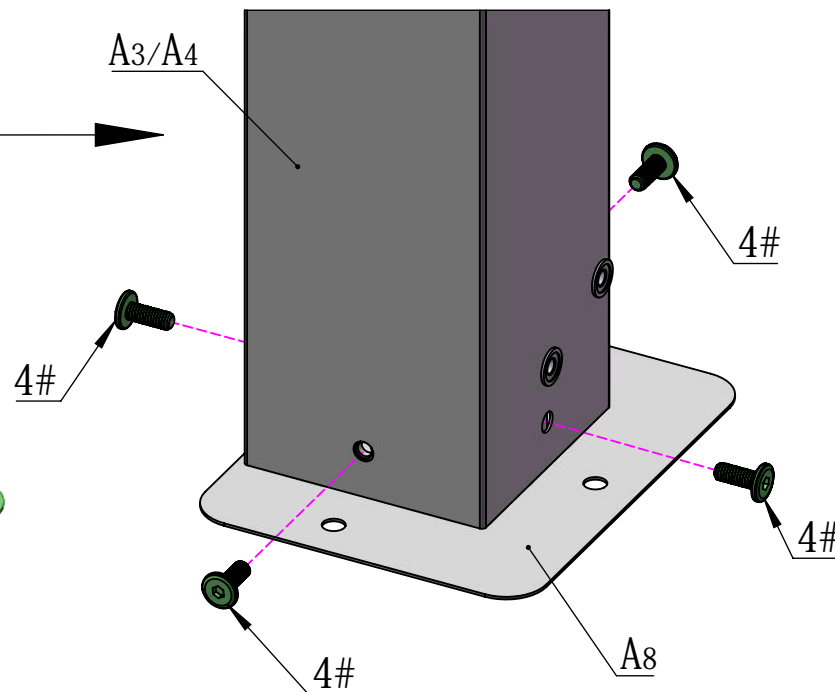
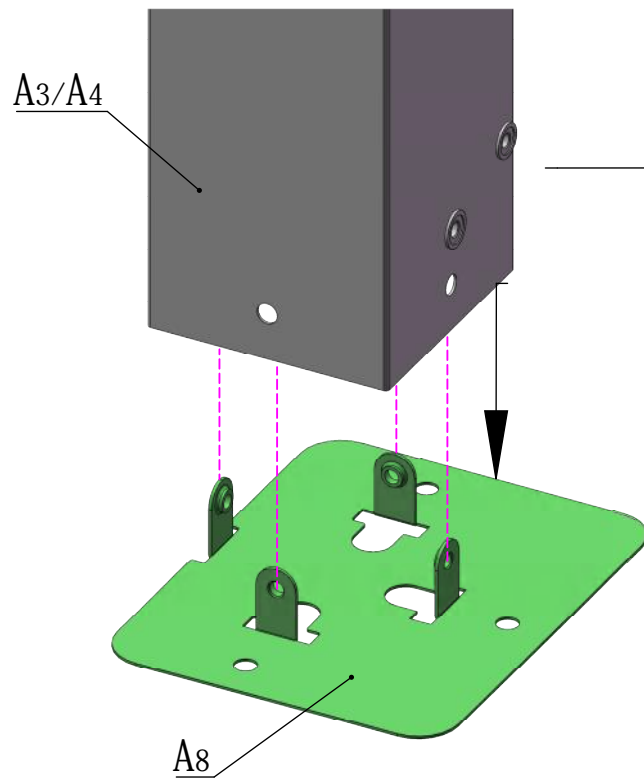
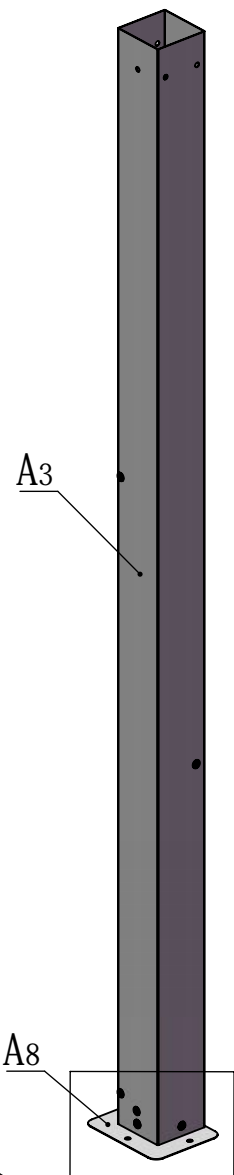
M6*16

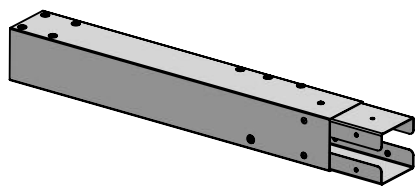
4# 8X



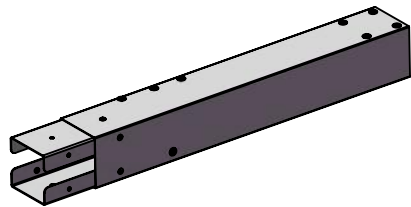
S4

16# 1X

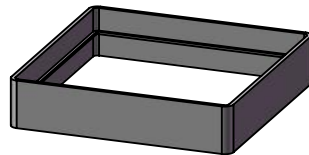




A5 1X



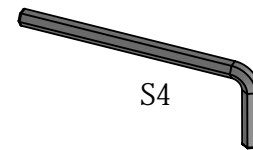
A6 1X



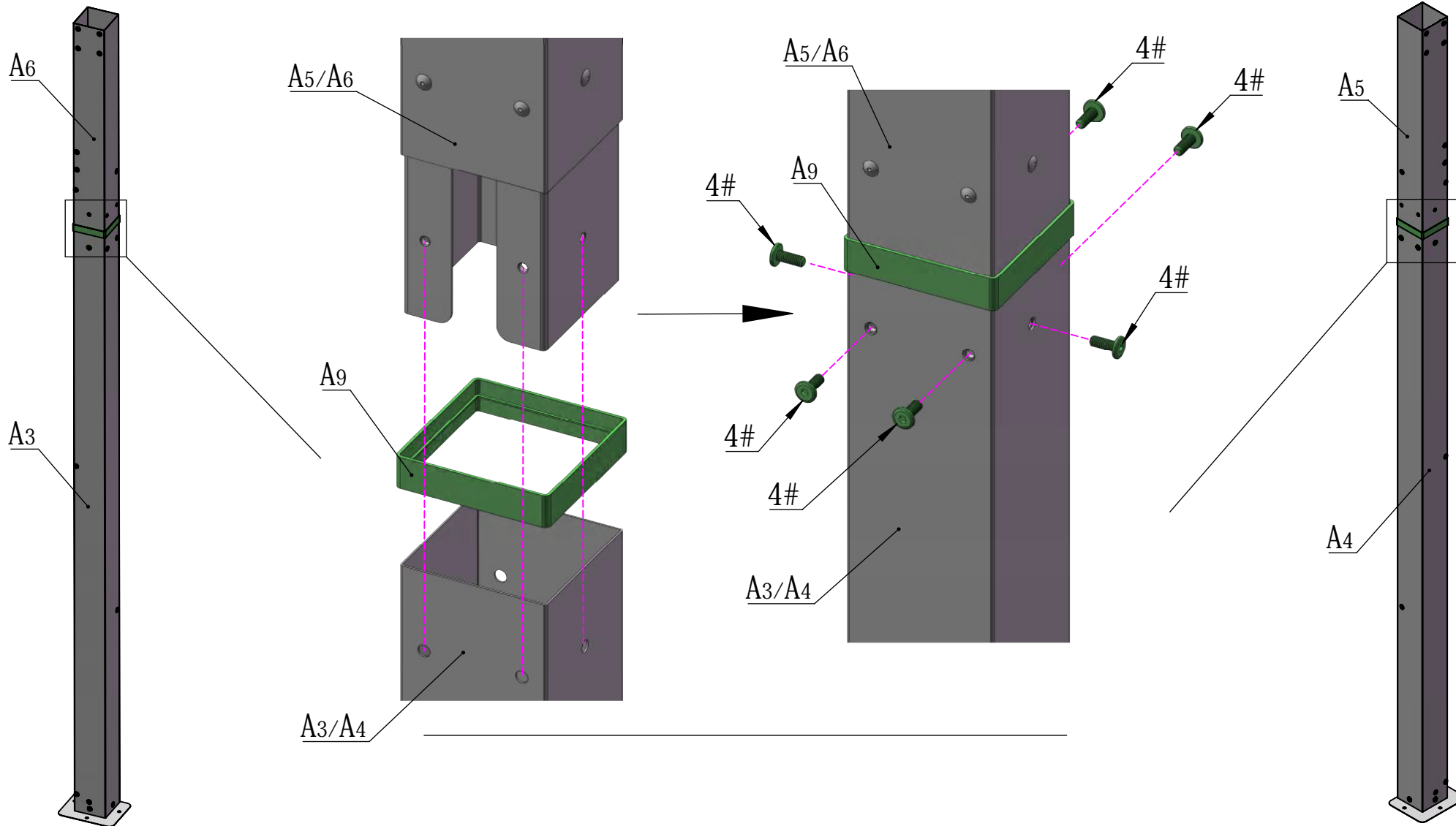
A9 2X



4# 12X

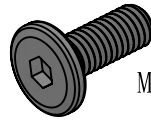


16# 1X



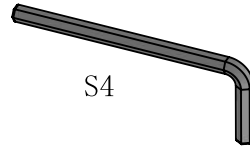


A10 4X



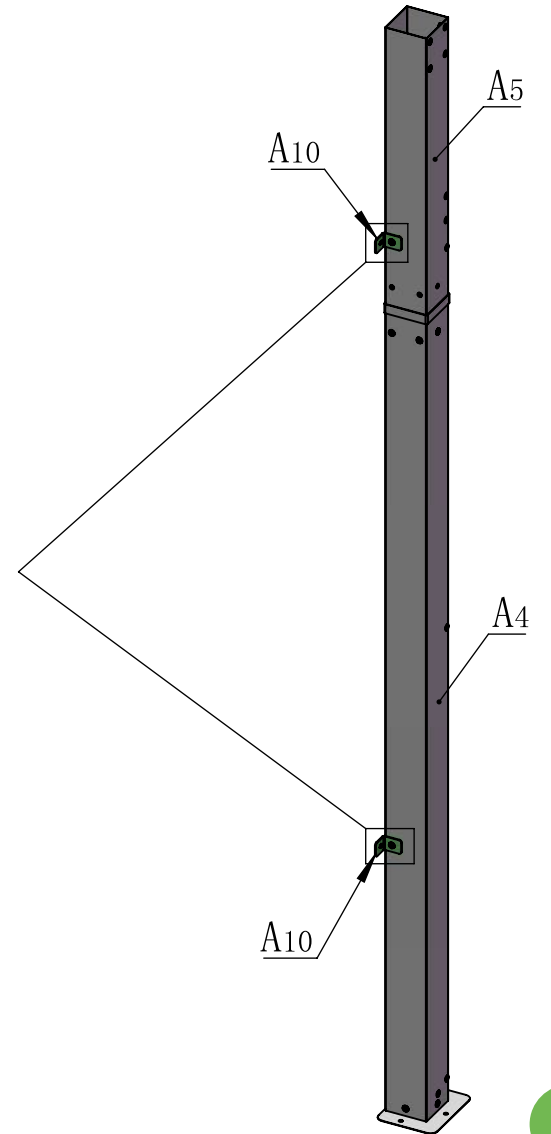
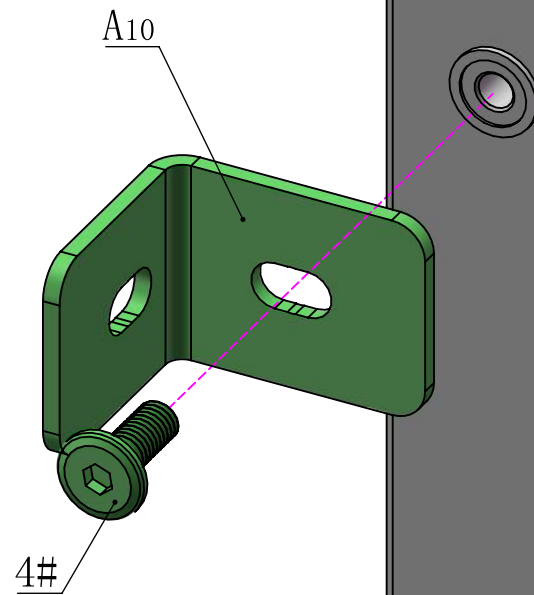
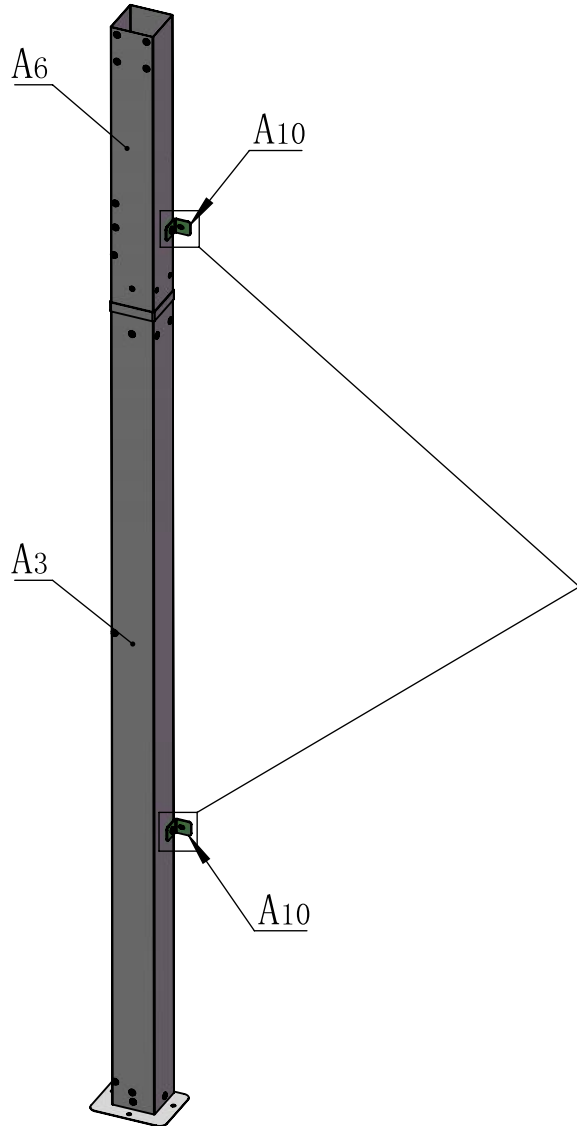
M6*16

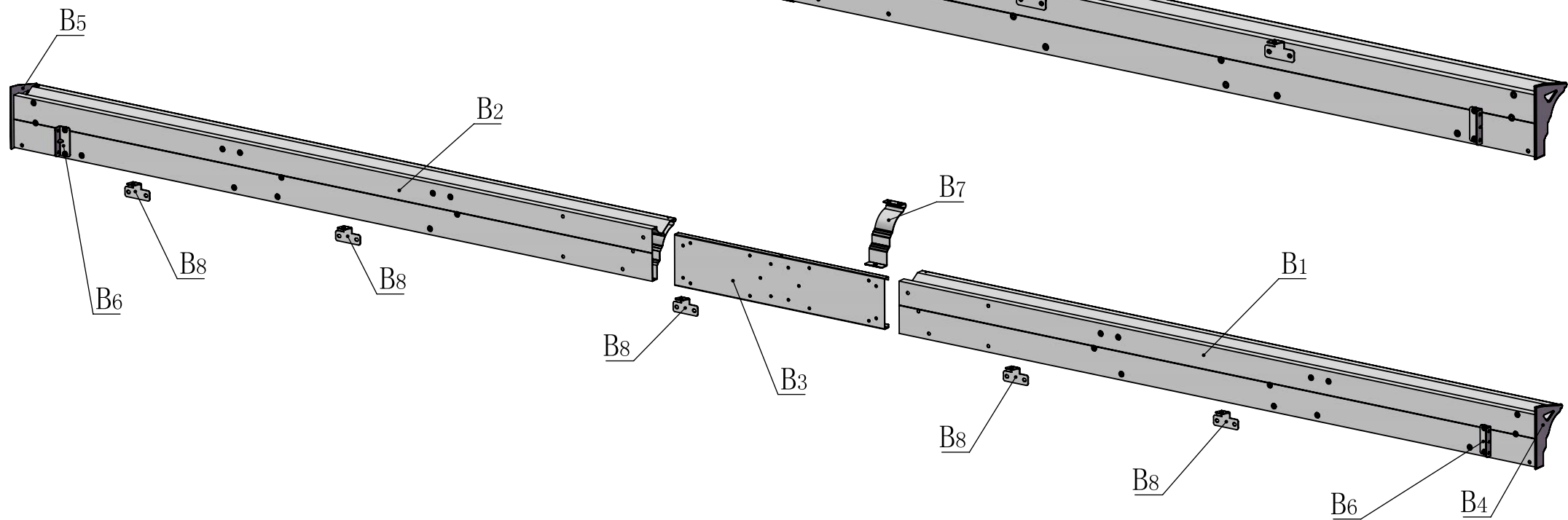
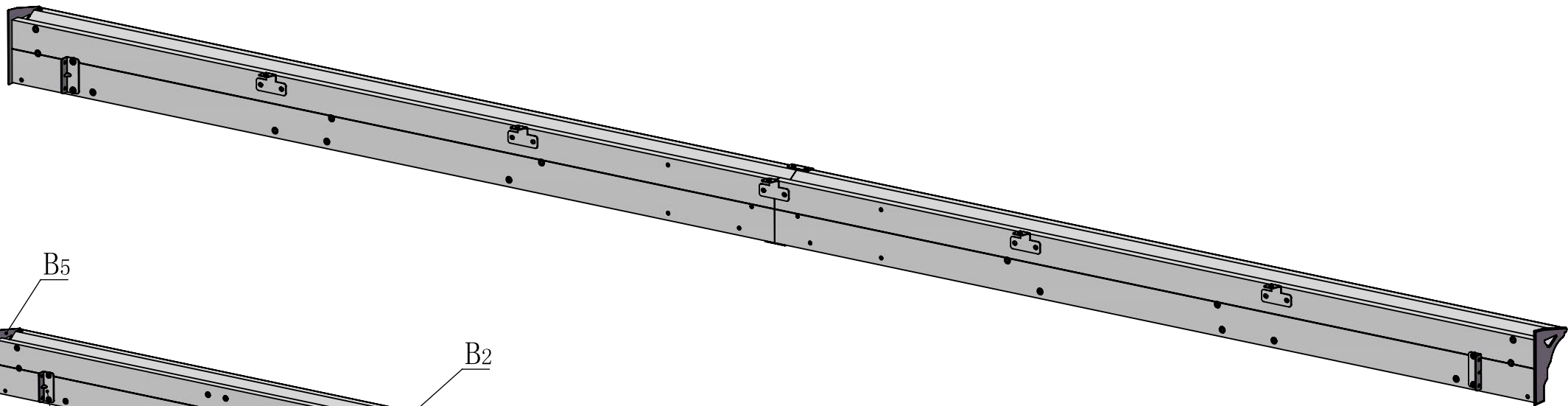
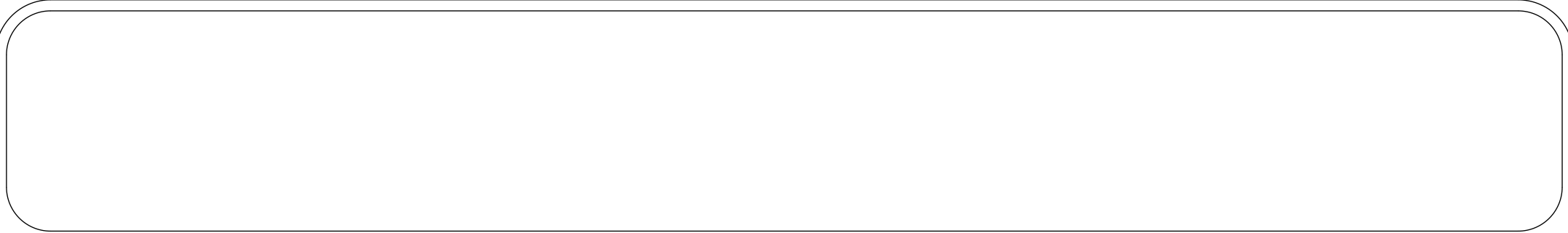
4# 4X

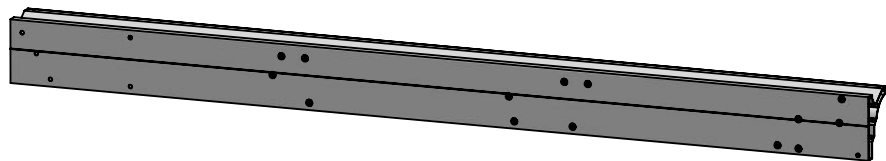


S4

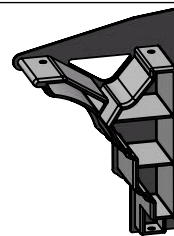
16# 1X







B1 1X

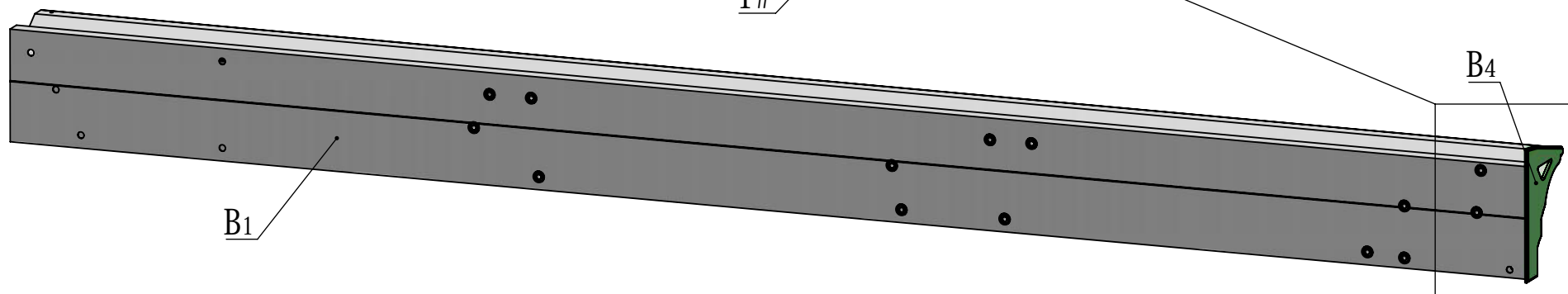
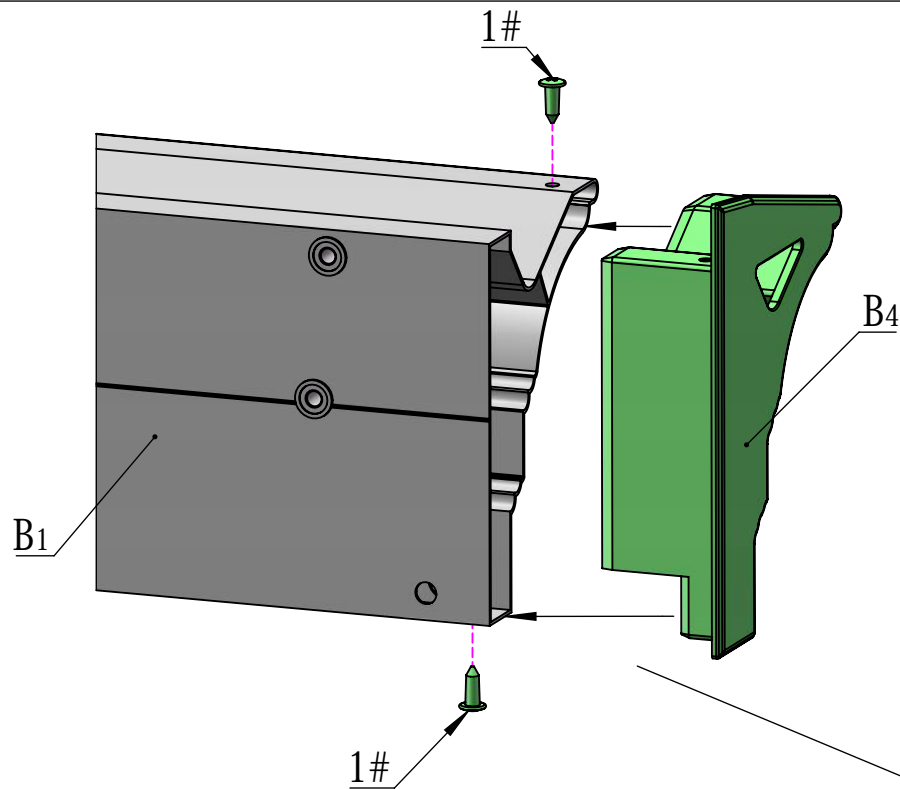


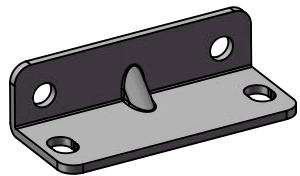
B4 1X



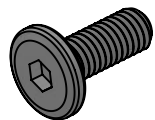
ST4. 8*13

1# 2X



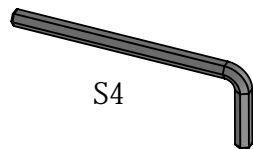


B6 1X



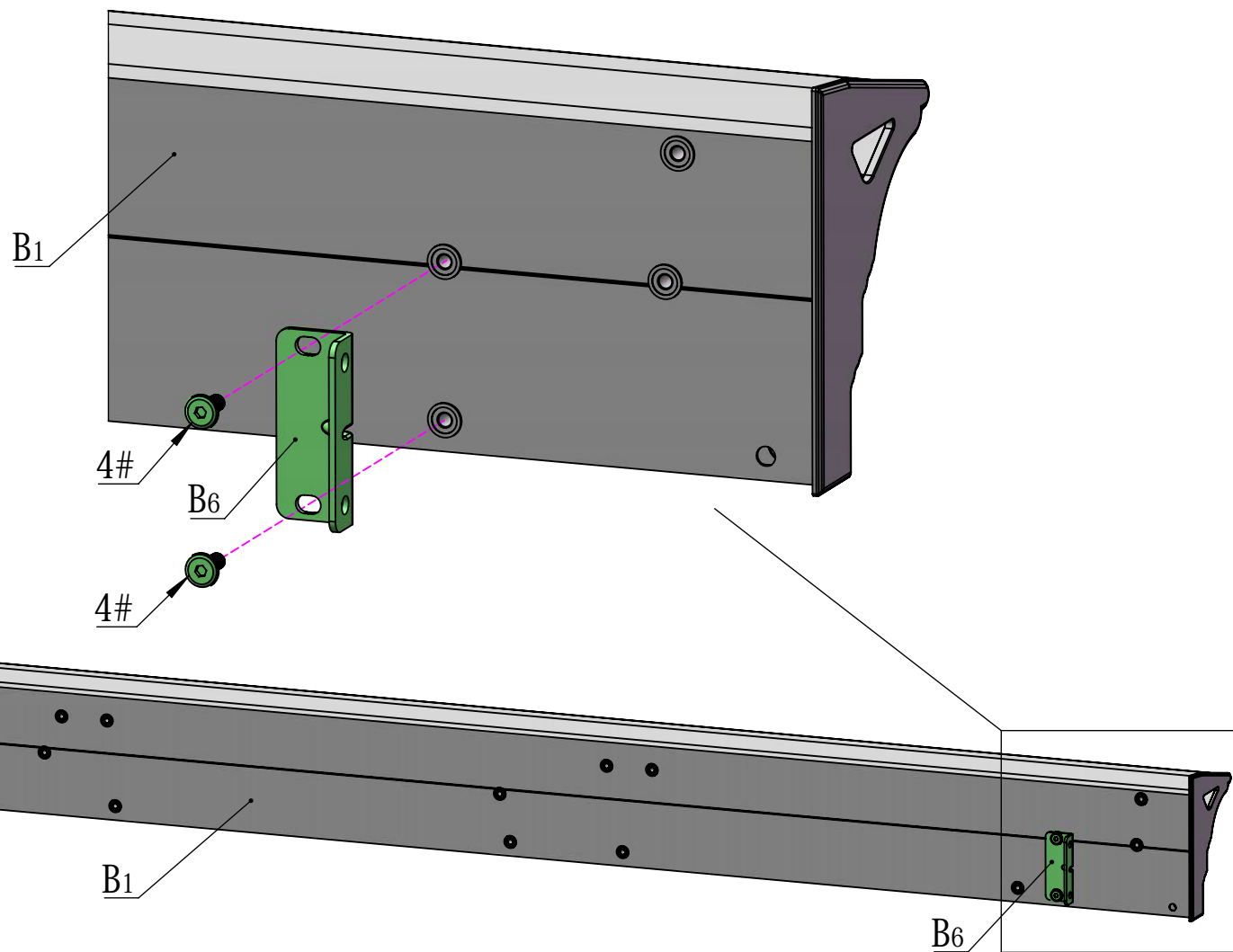
M6*16

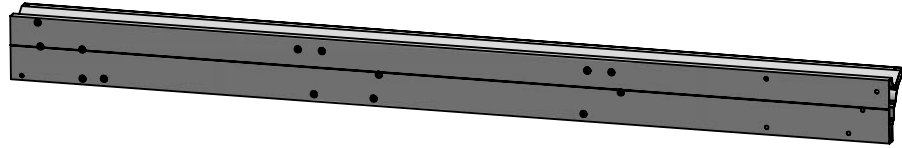
4# 2X



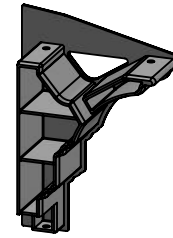
S4

16# 1X

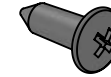




B2 1X

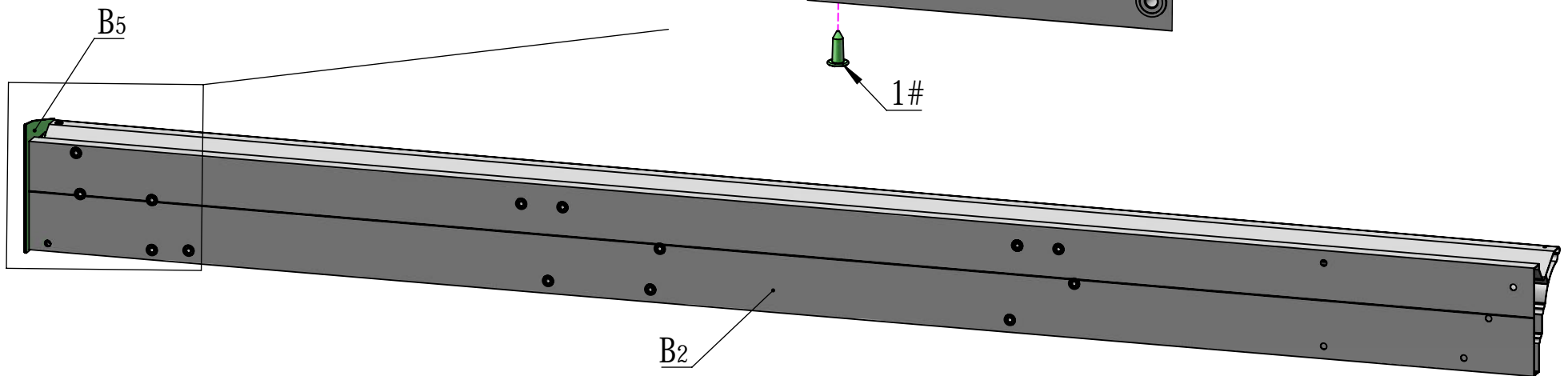
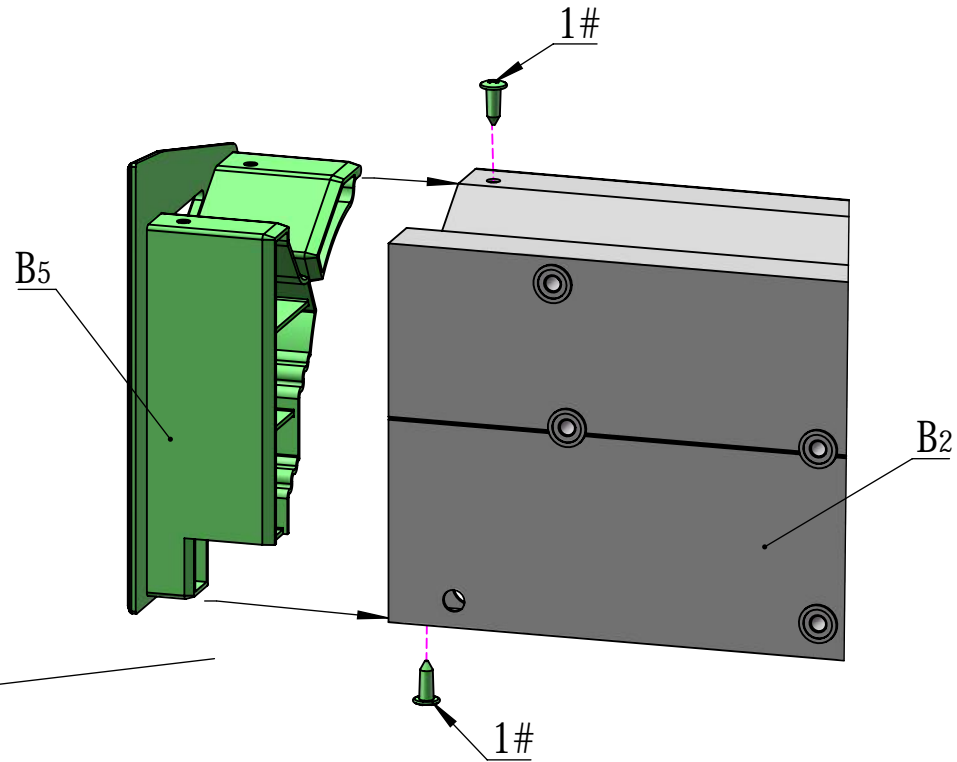


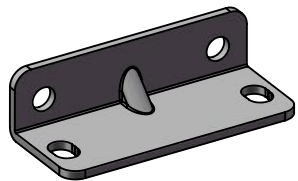
B5 1X



ST4.8*13

1# 2X



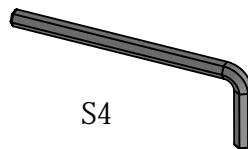


B6 1X



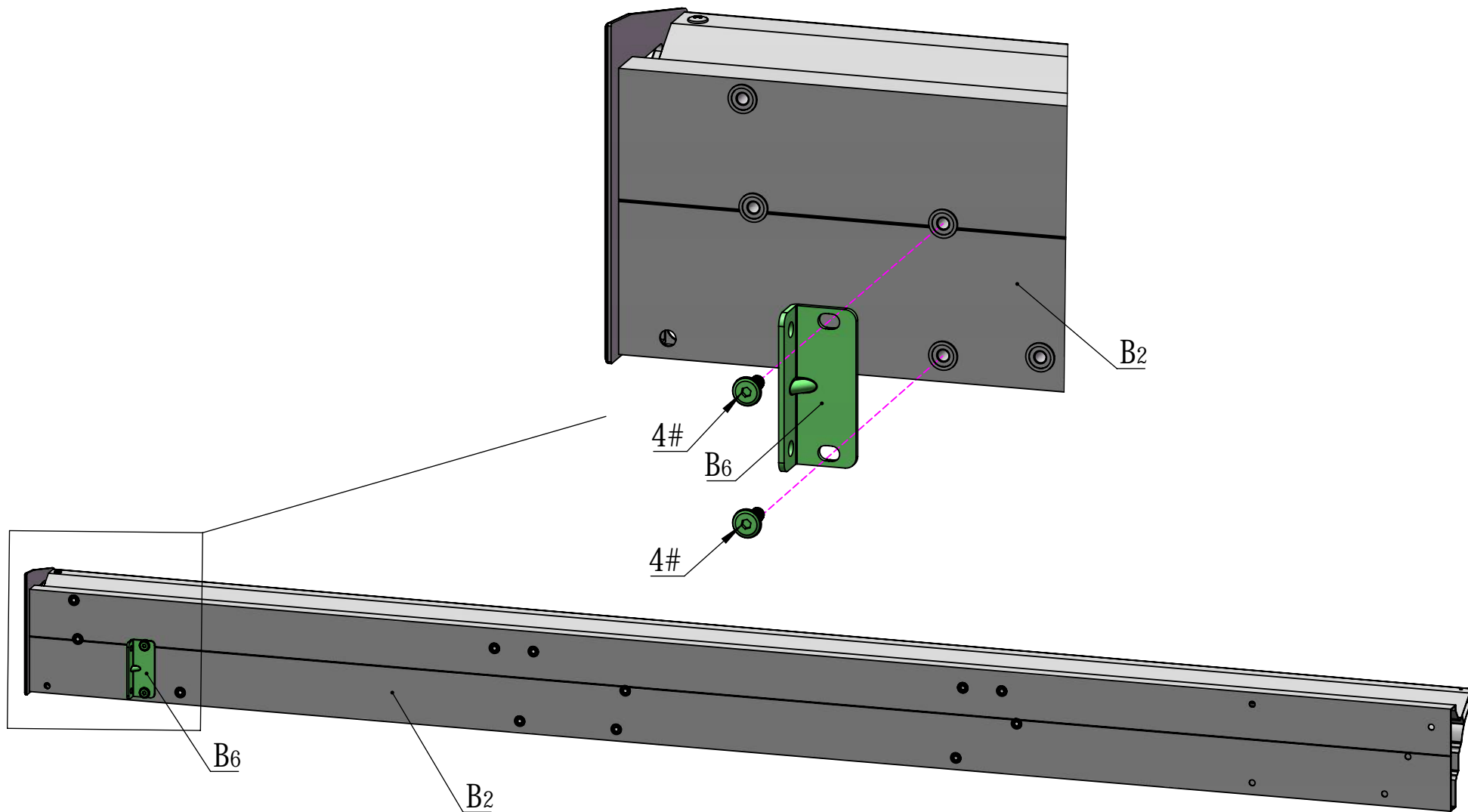
M6*16

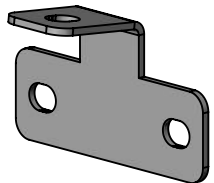
4# 2X



S4

16# 1X





B8

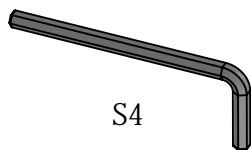
5X



4#

M6*16

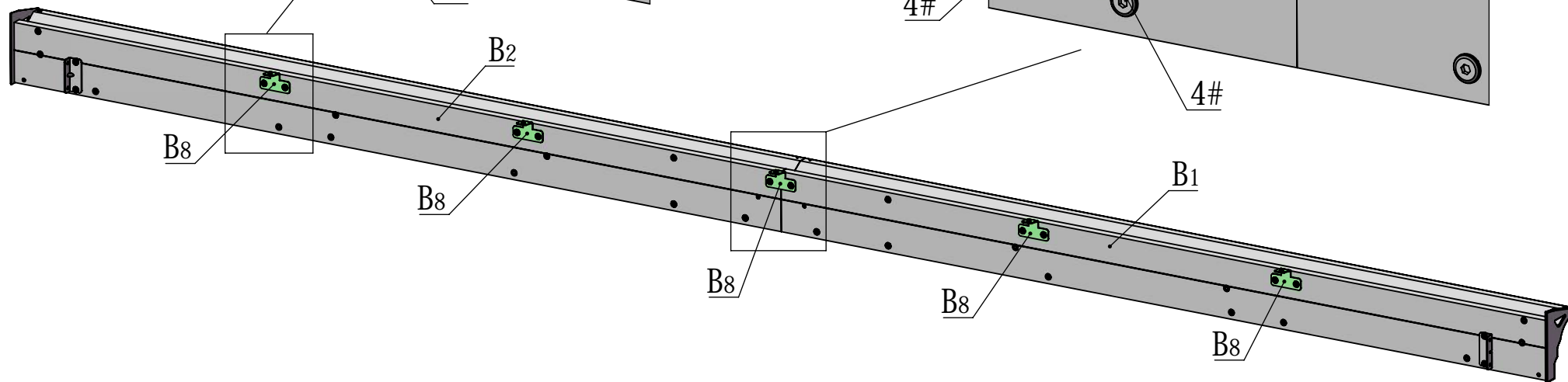
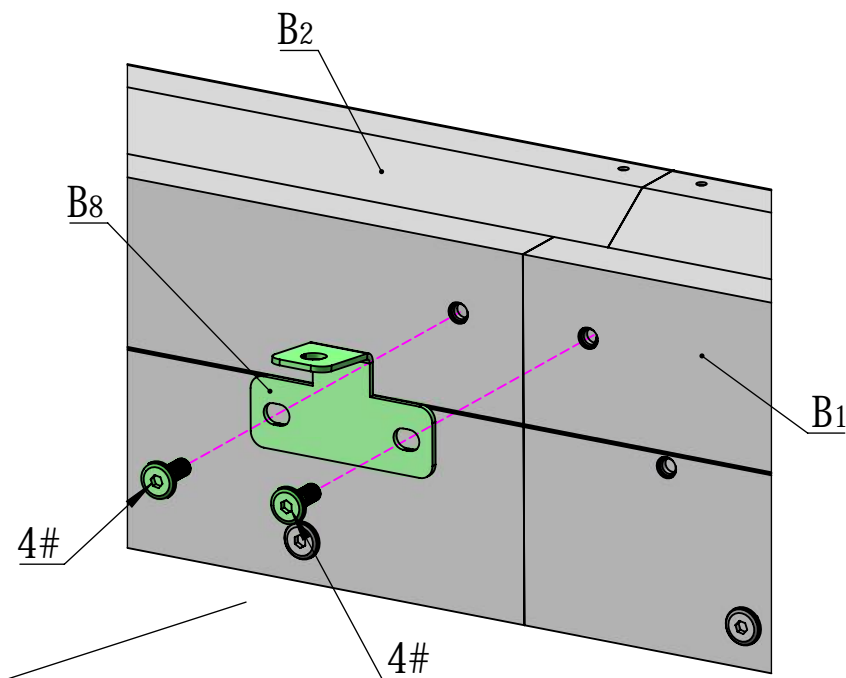
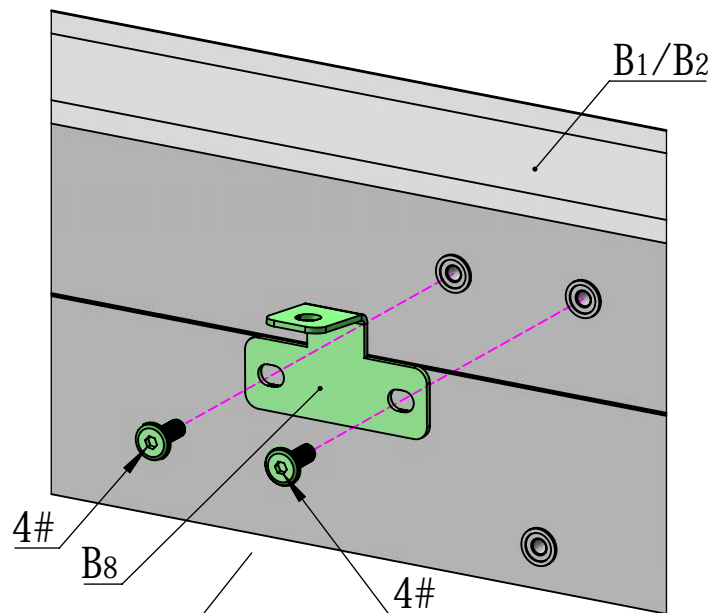
10X



S4

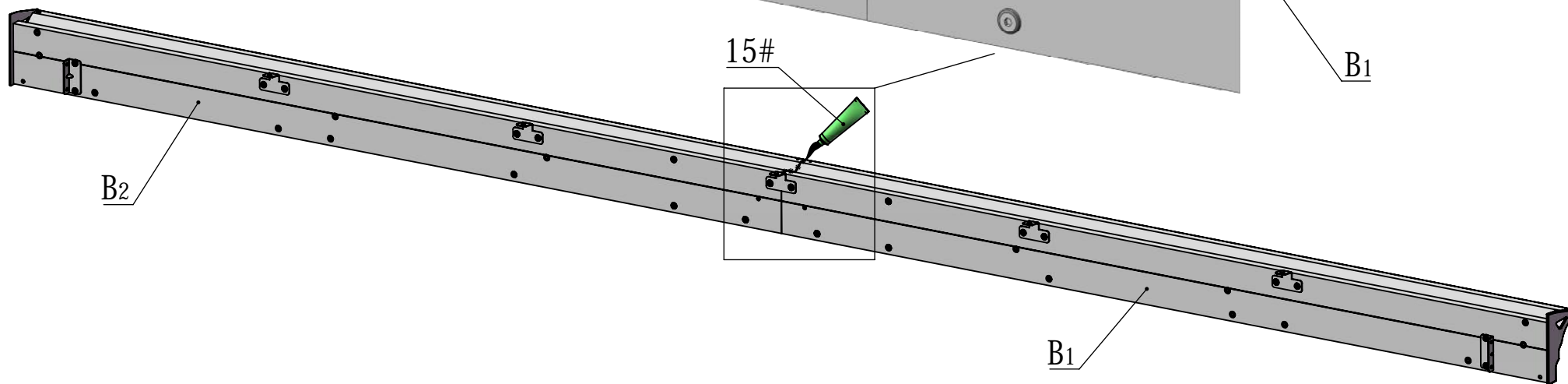
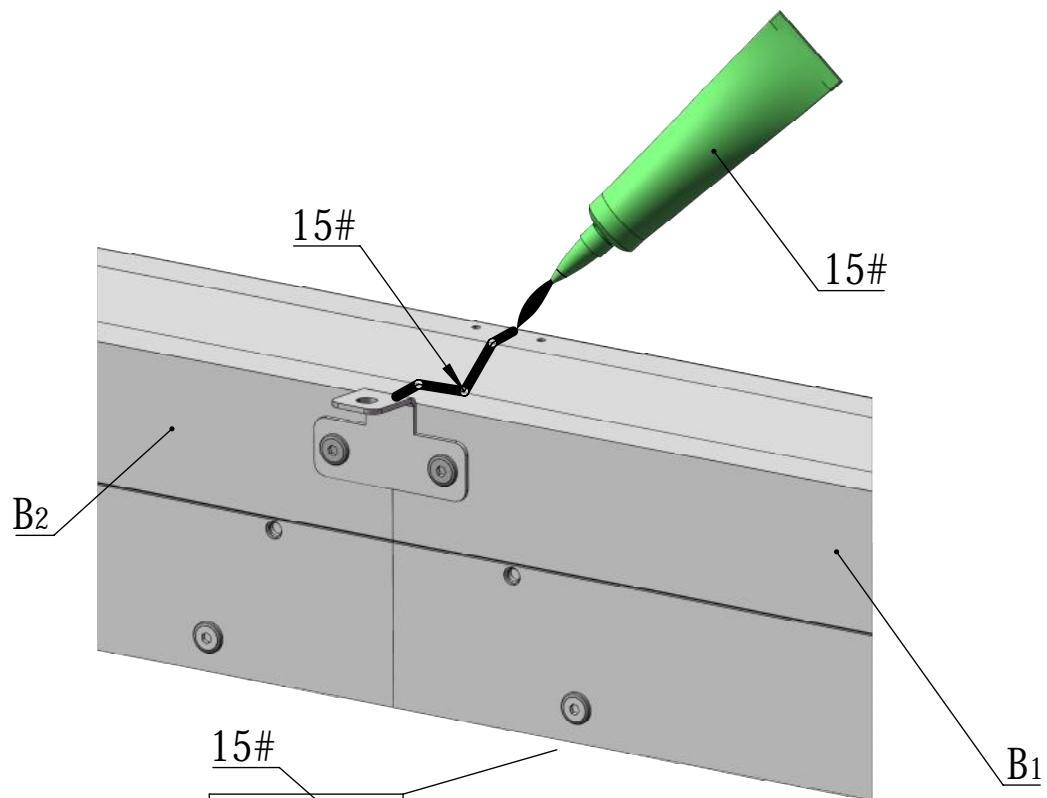
16#

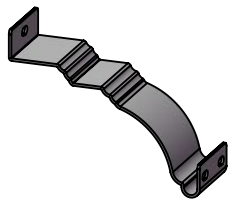
1X



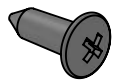


15# 1X





B7 1X



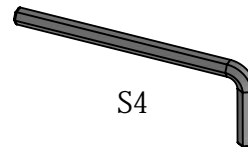
ST4.8*13

1# 2X



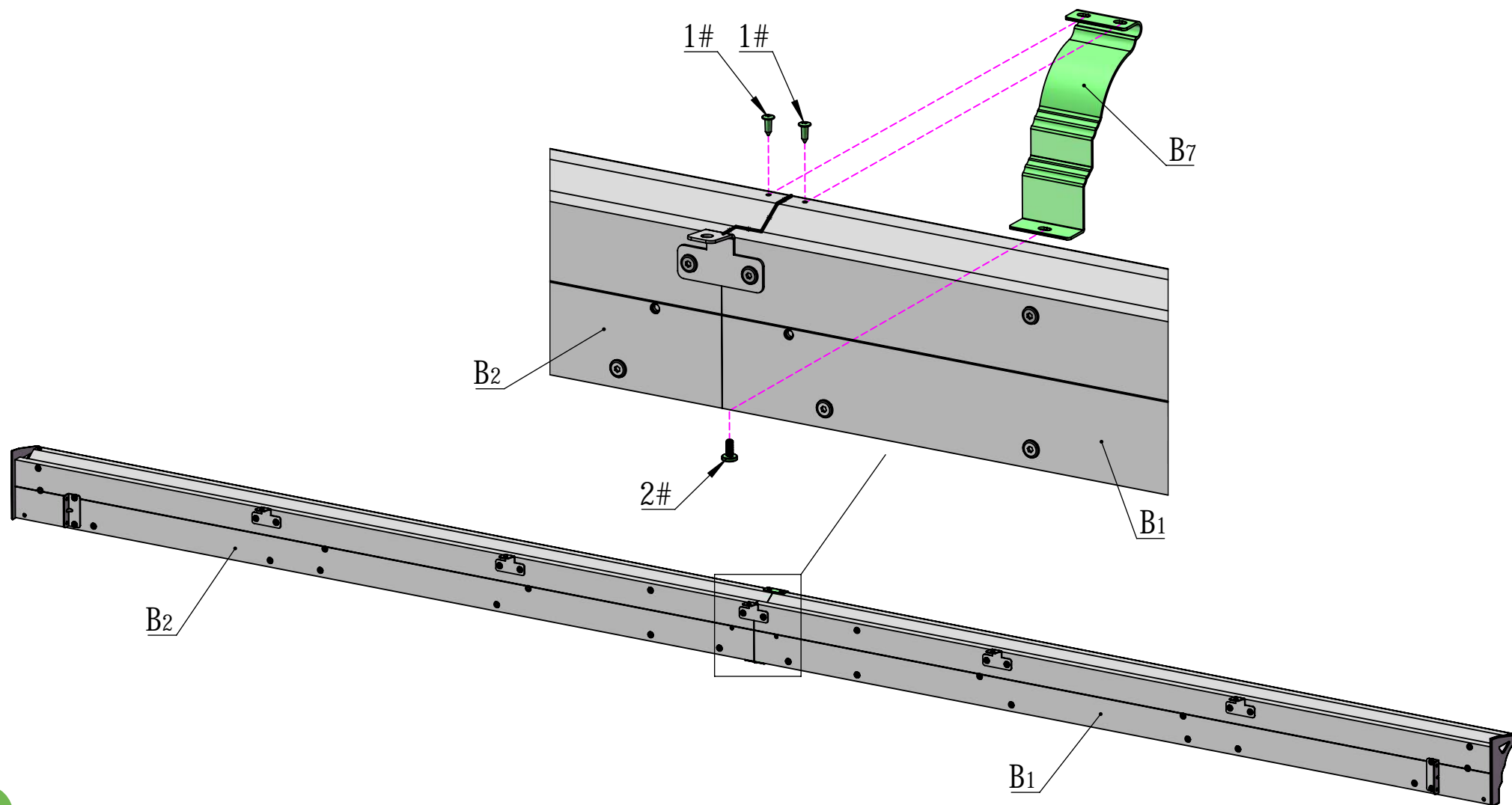
M5*12

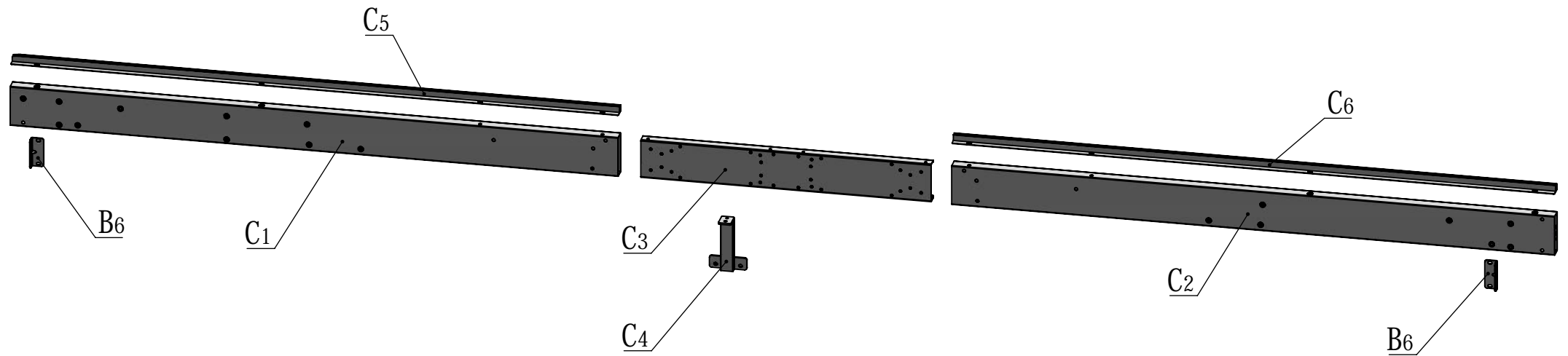
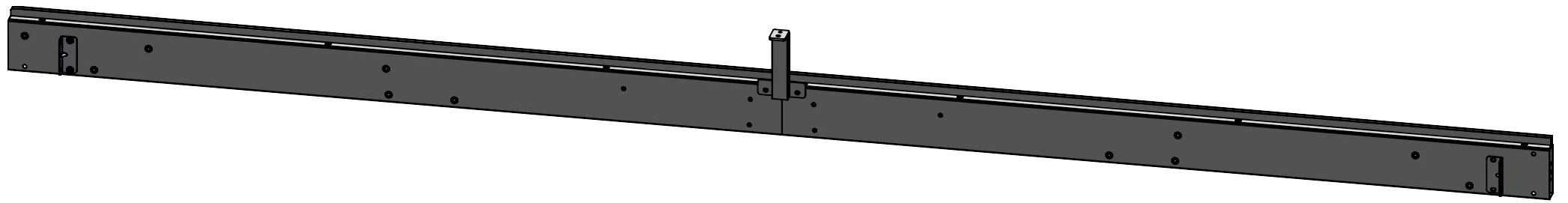
2# 1X

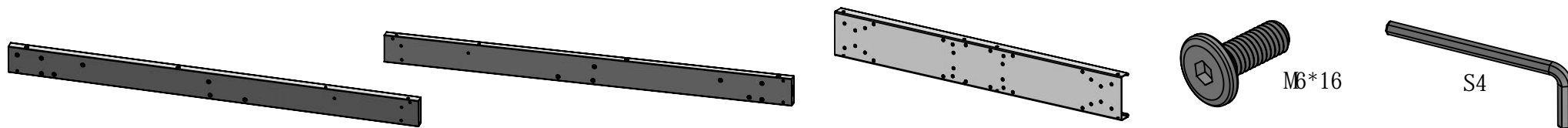


S4

16# 1X







C1 1X

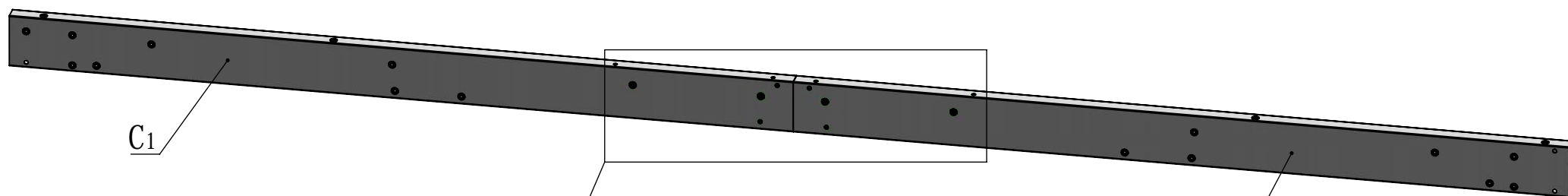
C2 1X

C3 1X

4# 8X

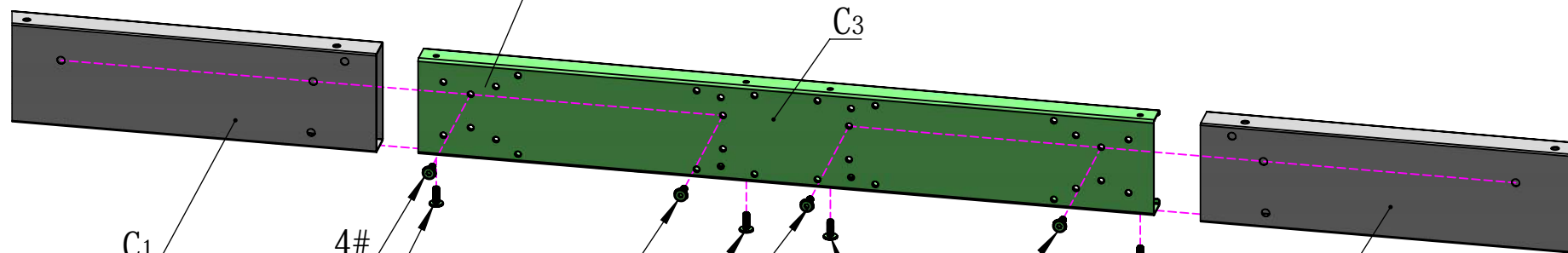
16# 1X

MODEL 1



C1

C2



C1

C3

C2

4#

4#

4#

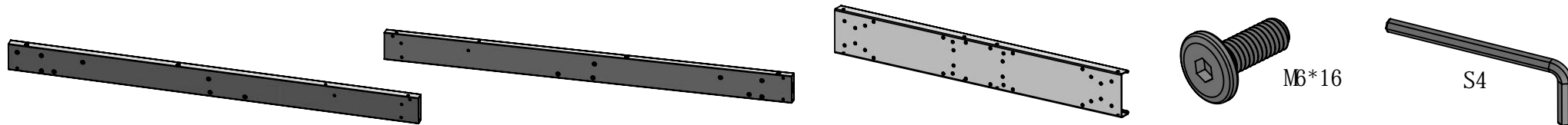
4#

4#

4#

4#





C1 1X

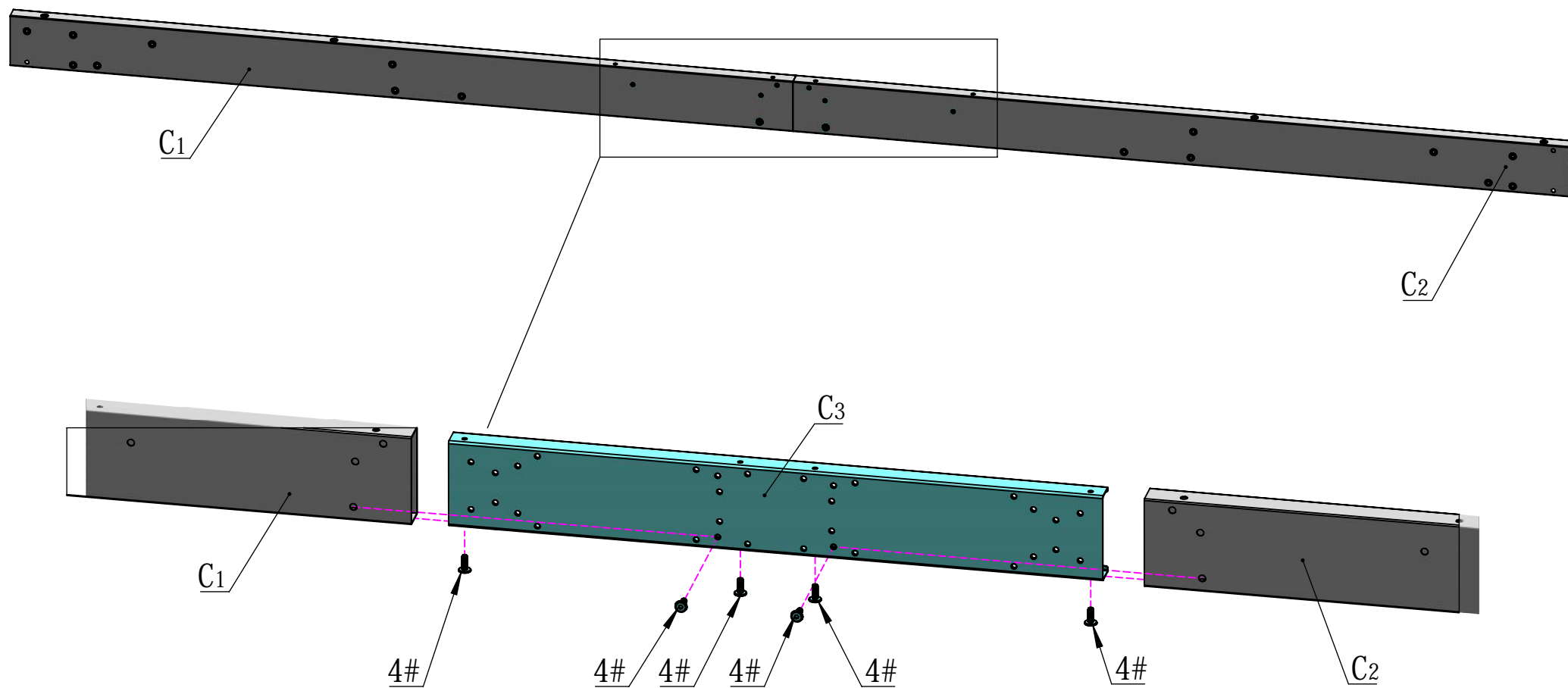
C2 1X

C3 1X

4# 6X

16# 1X

MODEL2

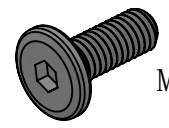




C5 1X

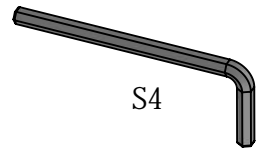


C6 1X



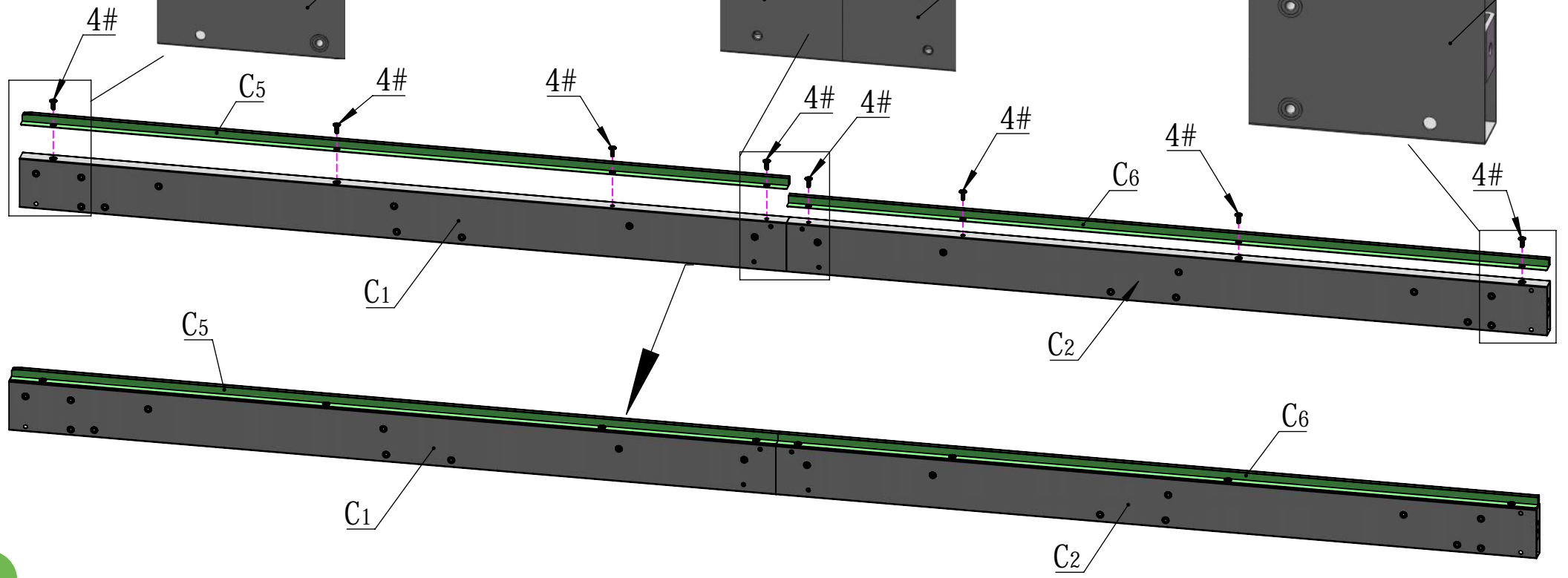
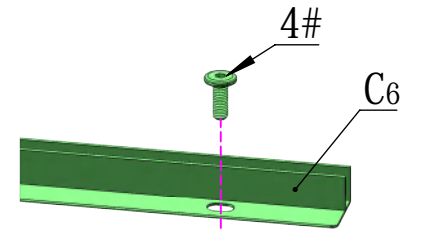
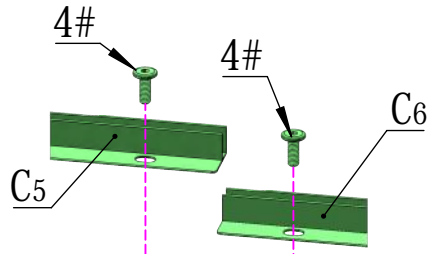
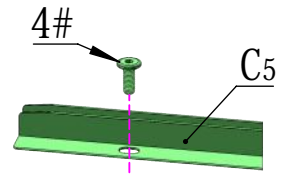
M6*16

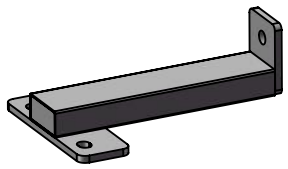
4# 8X



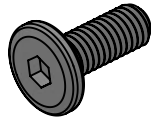
S4

16# 1X



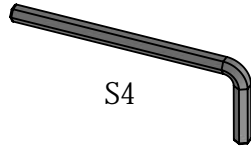


C4 1X



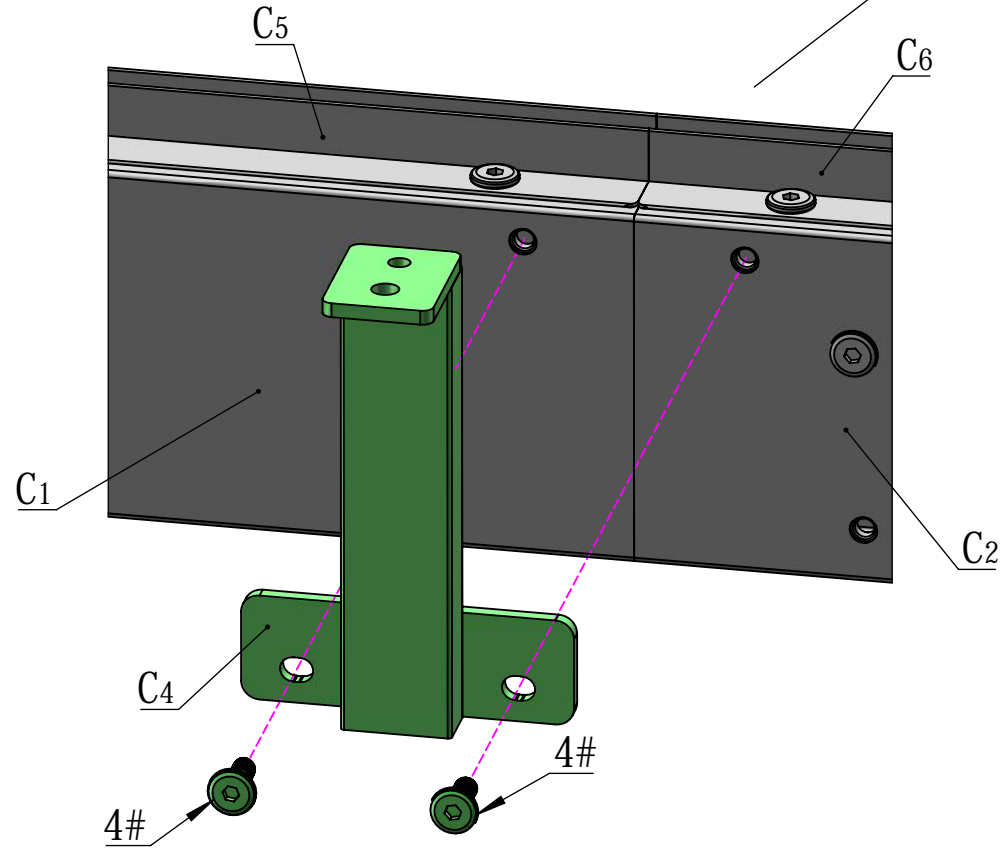
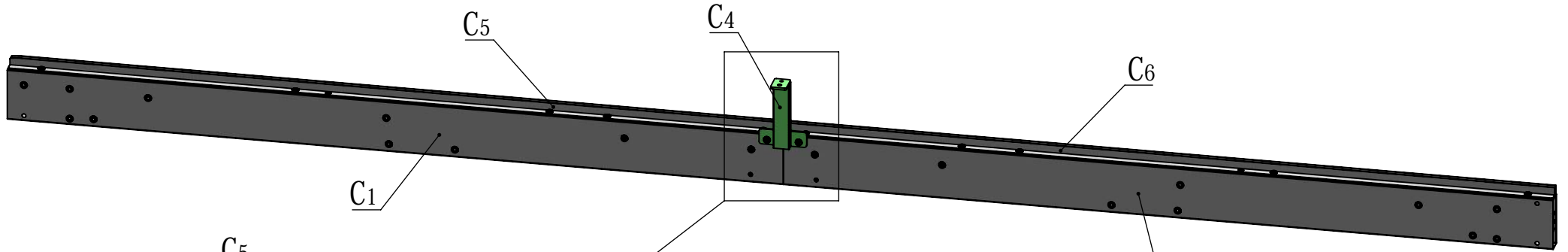
M6*16

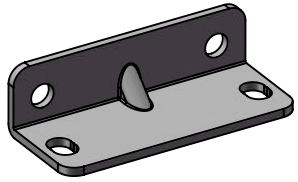
4# 2X



S4

16# 1X



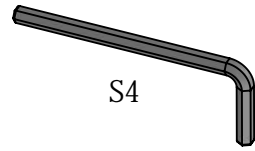


B6 2X



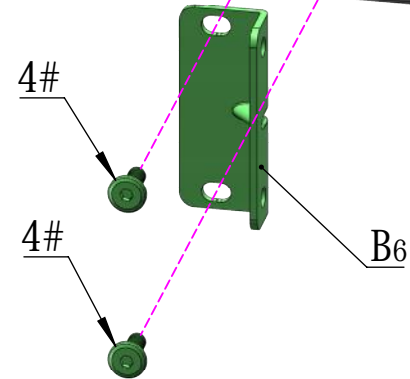
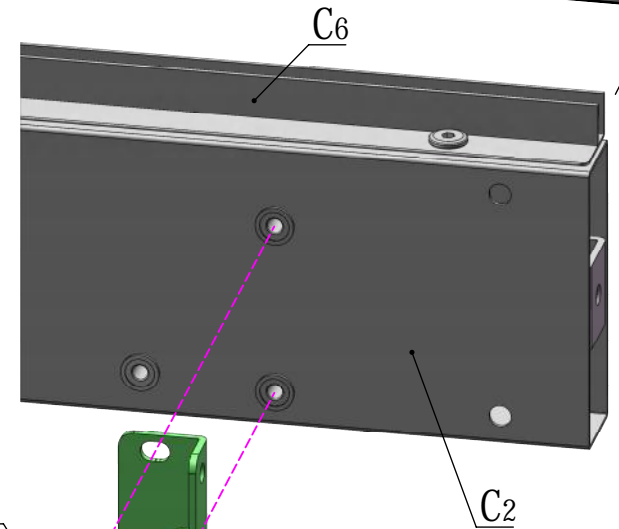
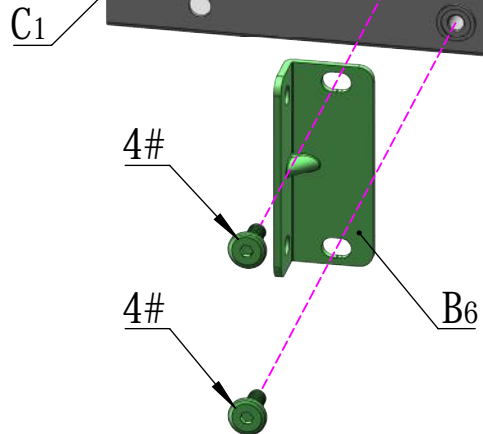
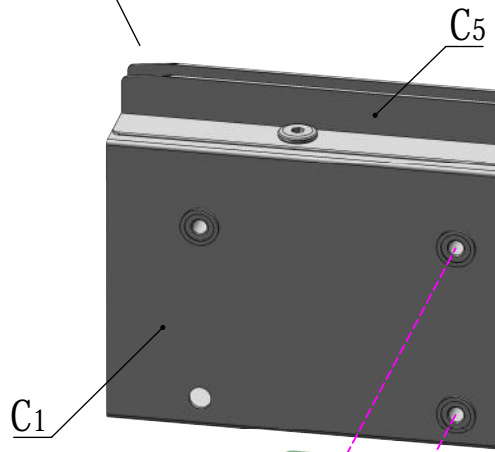
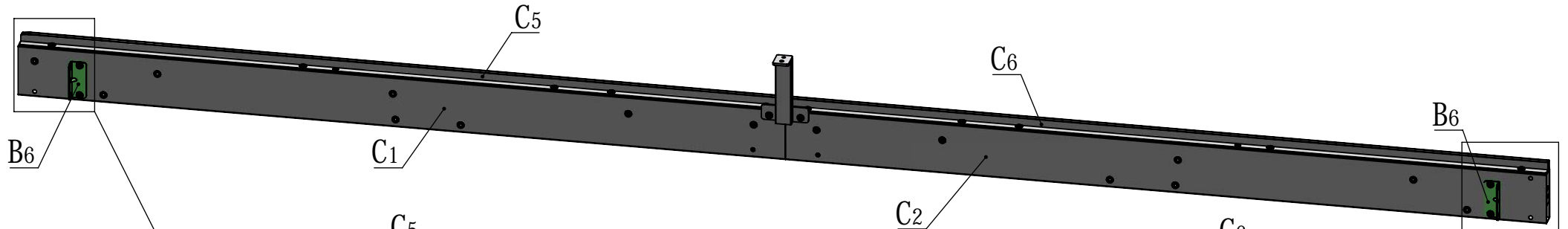
M6*16

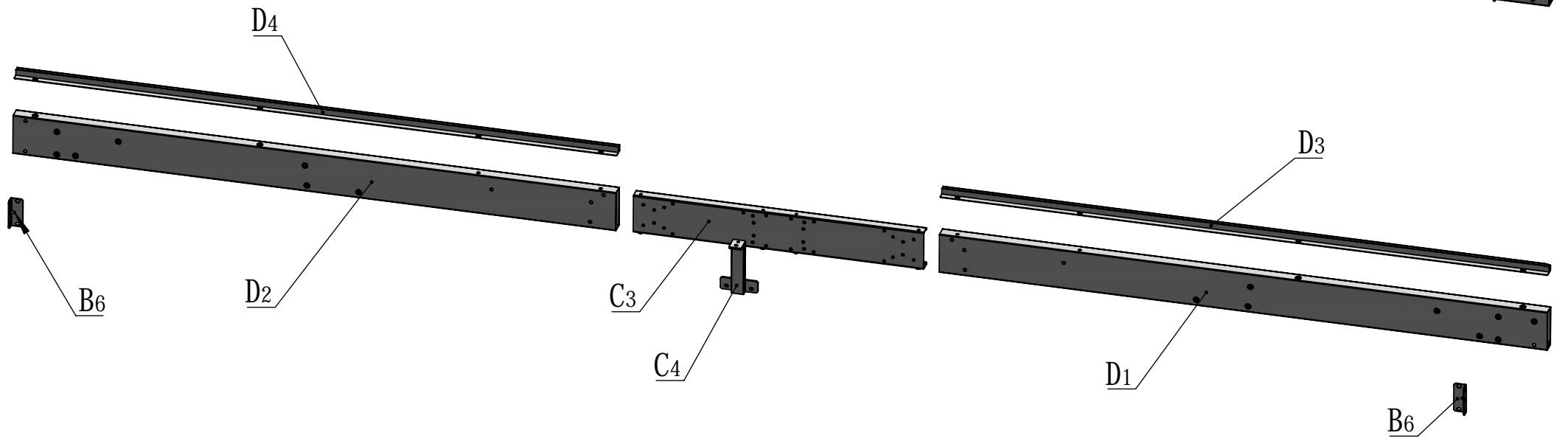
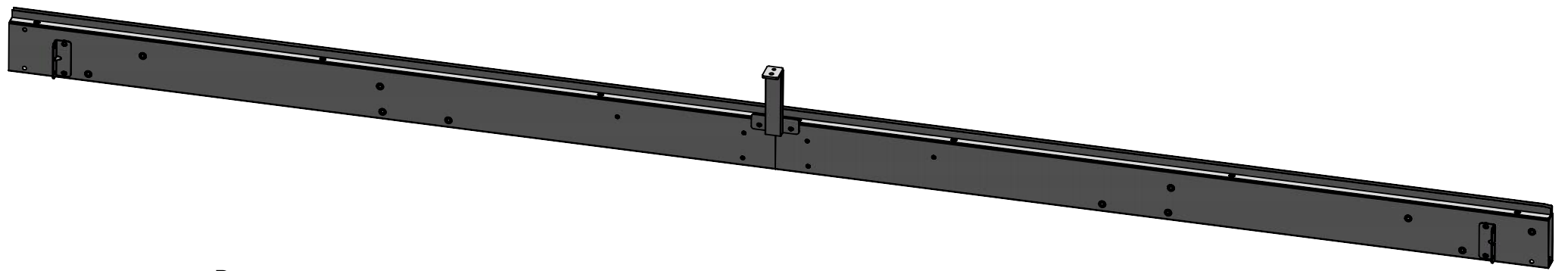
4# 4X

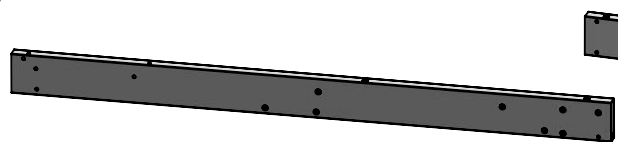


S4

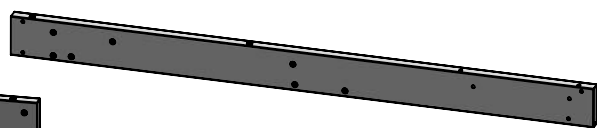
16# 1X



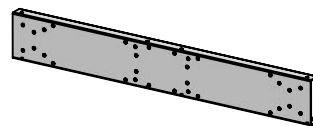




D1 1X



D2 1X



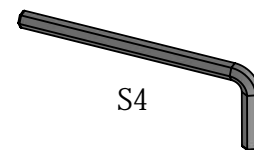
C3 1X



4#

M6*16

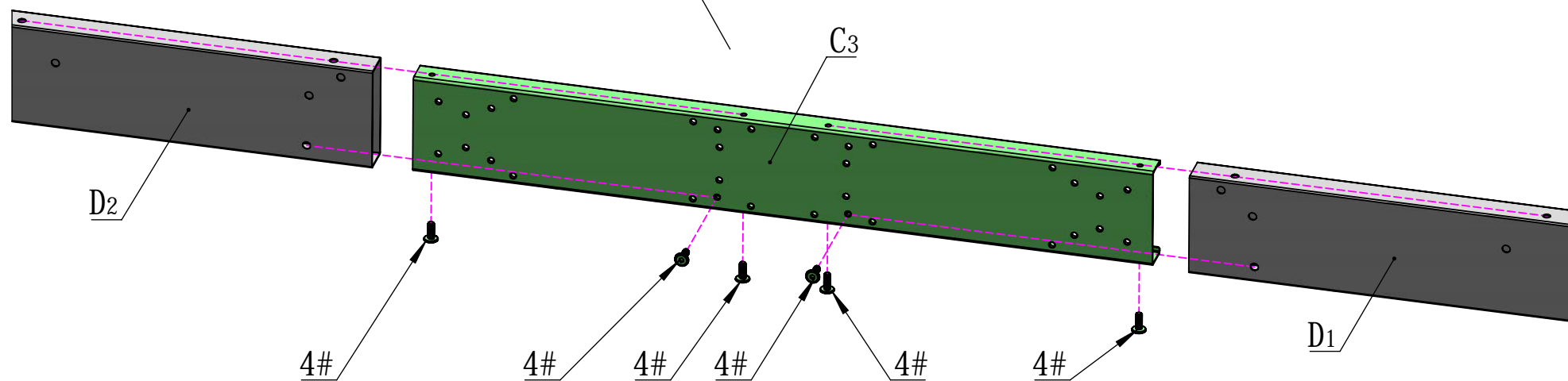
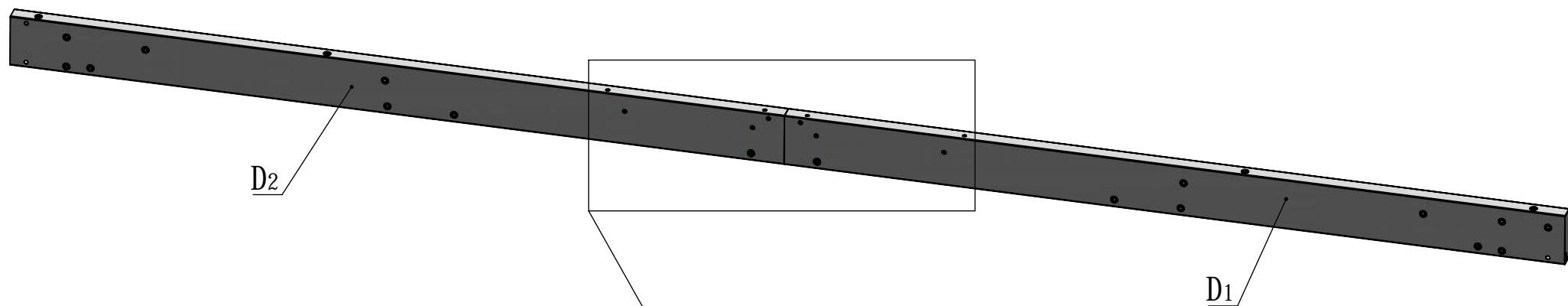
6X

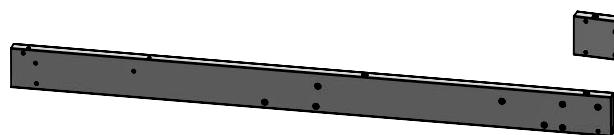


S4

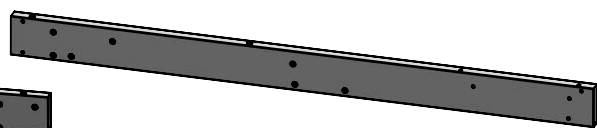
16# 1X

MODEL 1

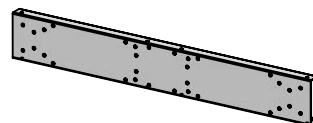




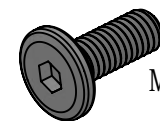
D1 1X



D2 1X



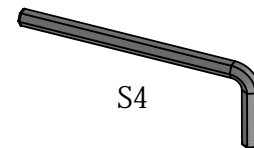
C3 1X



4#

M6*16

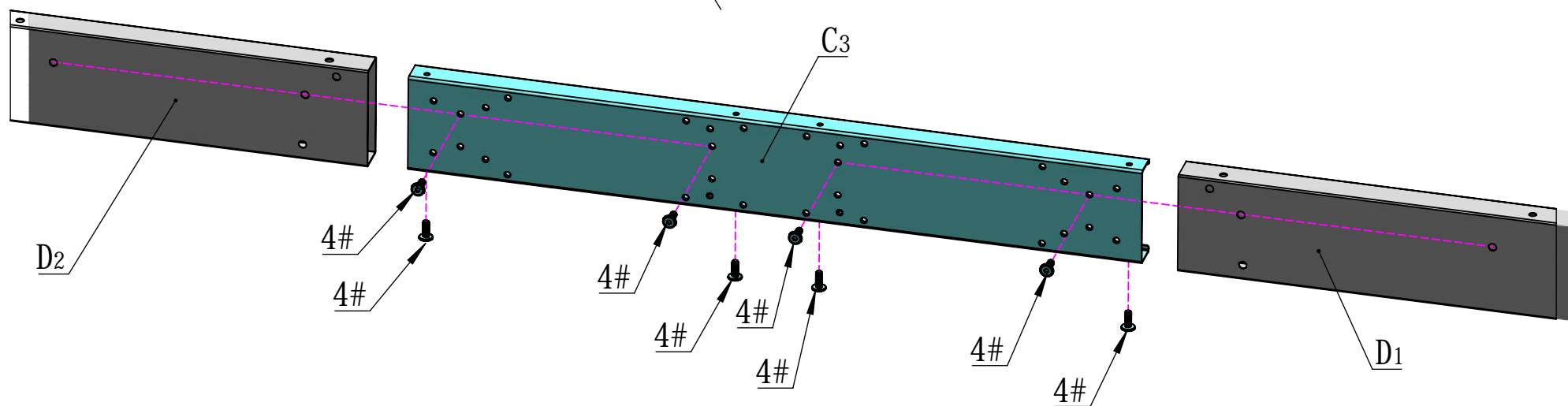
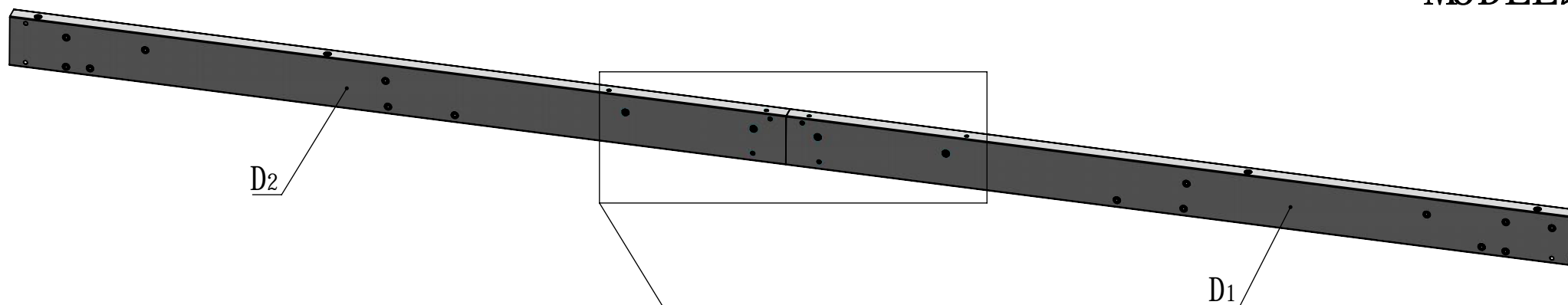
8X



S4

16# 1X

MODEL 2

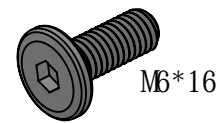




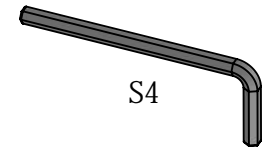
D3 1X



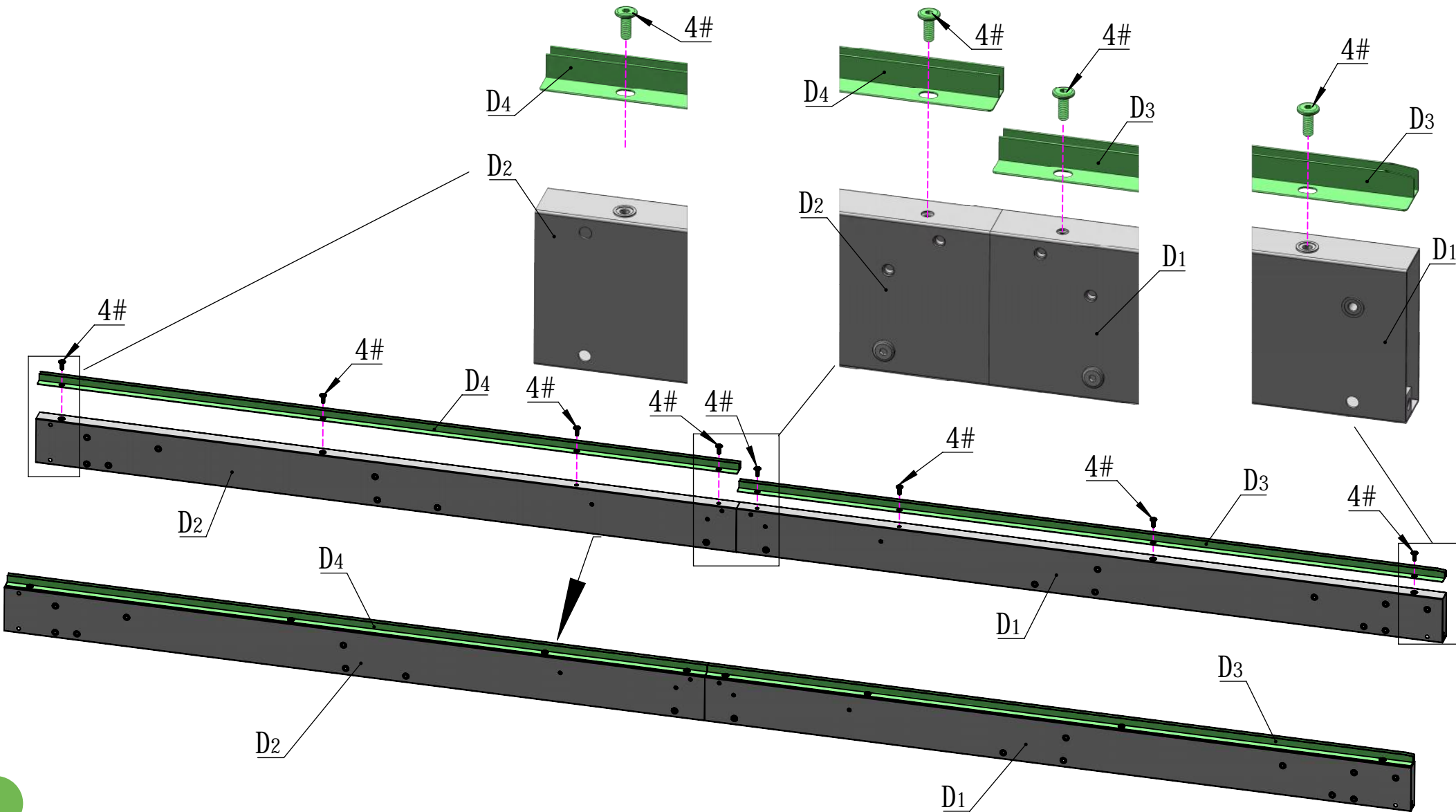
D4 1X

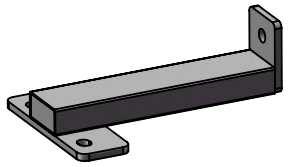


4# 8X



16# 1X

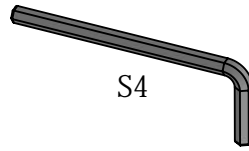




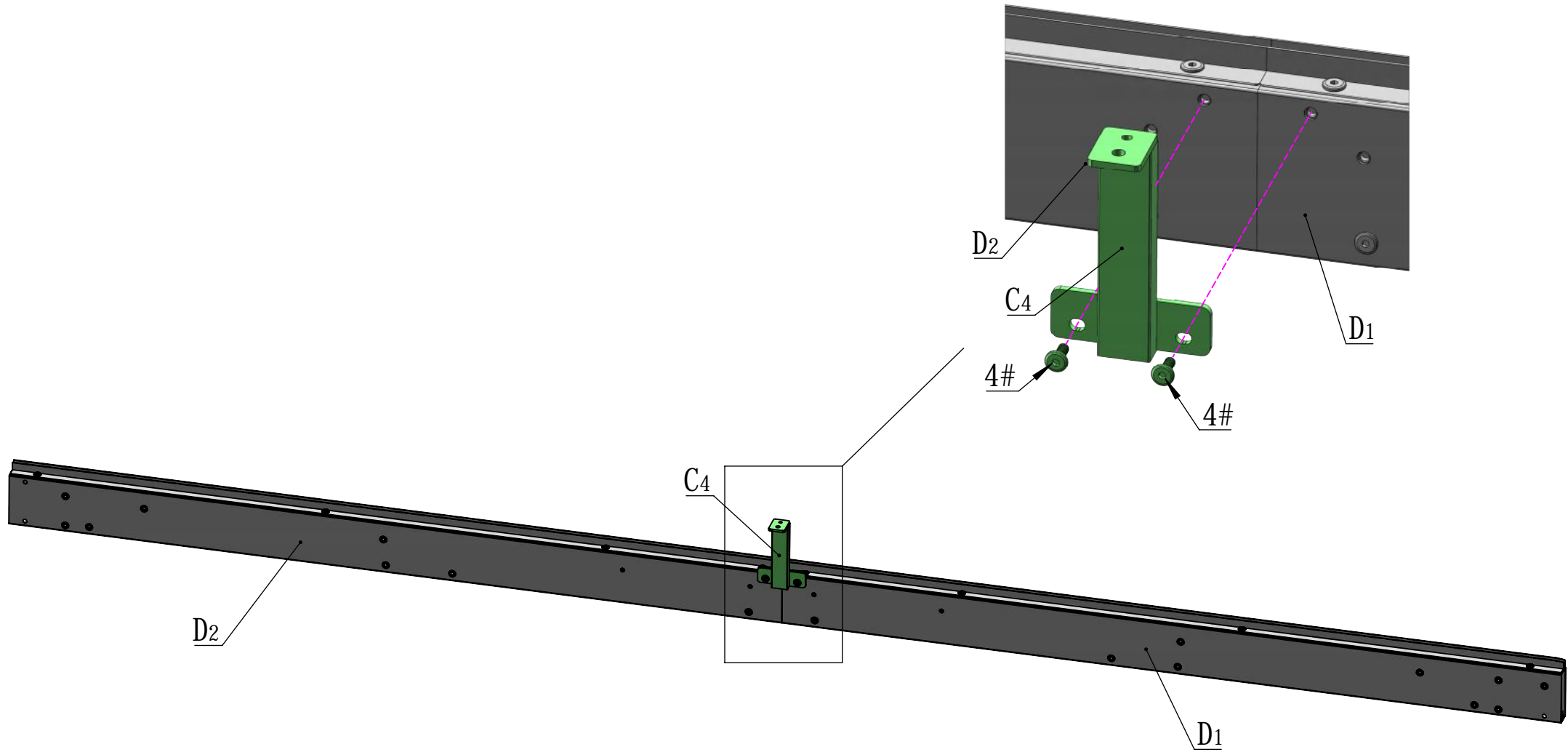
C4 1X

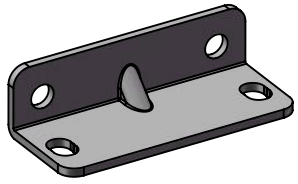


M6*16
4# 2X

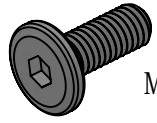


S4
16# 1X



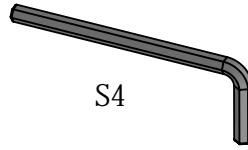


B6 2X



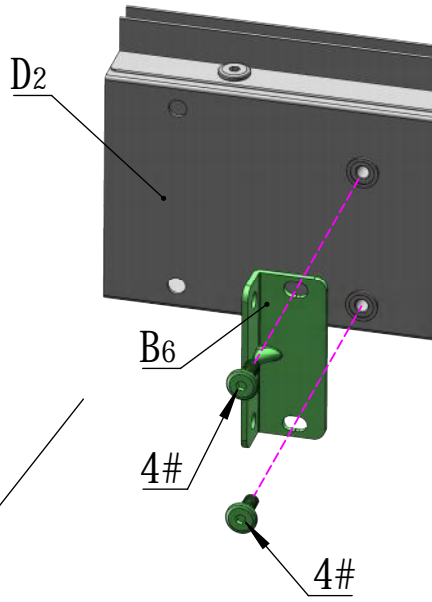
M6*16

4# 4X



S4

16# 1X

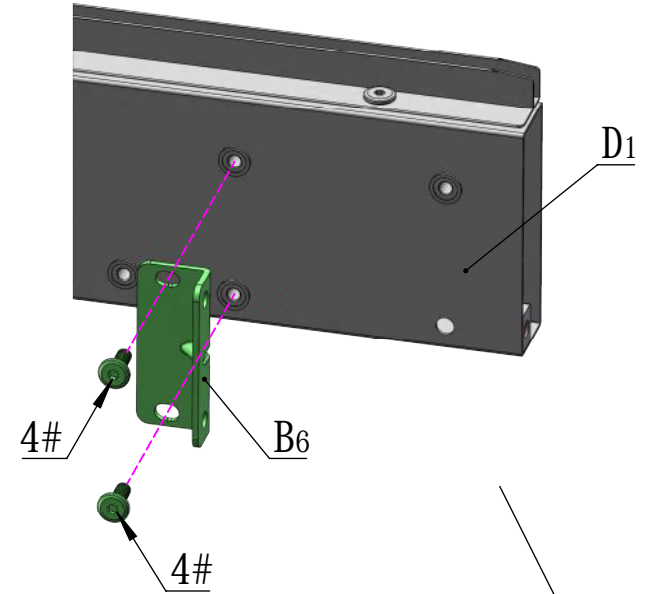


D2

B6

4#

4#

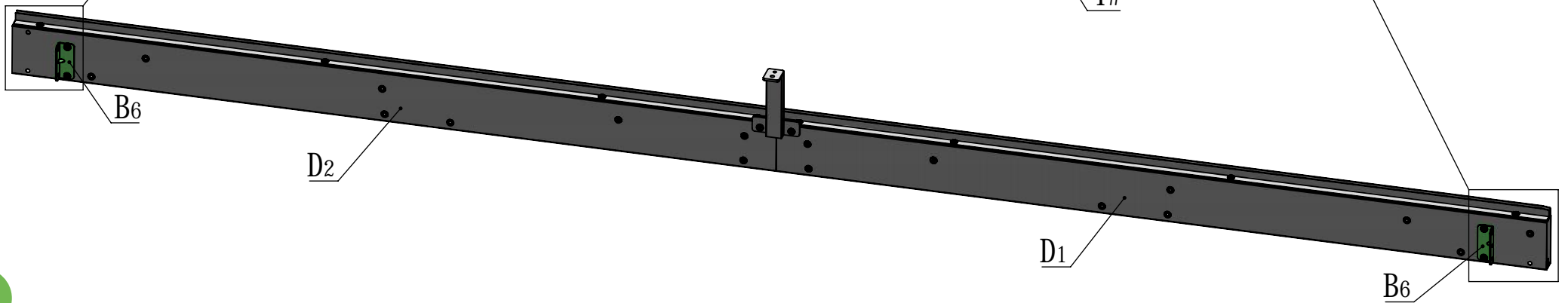


D1

B6

4#

4#

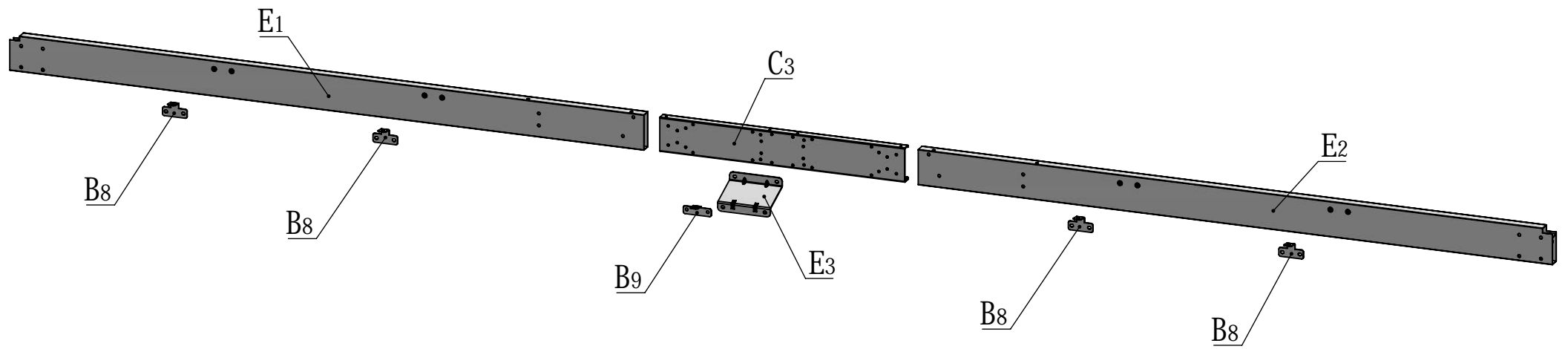
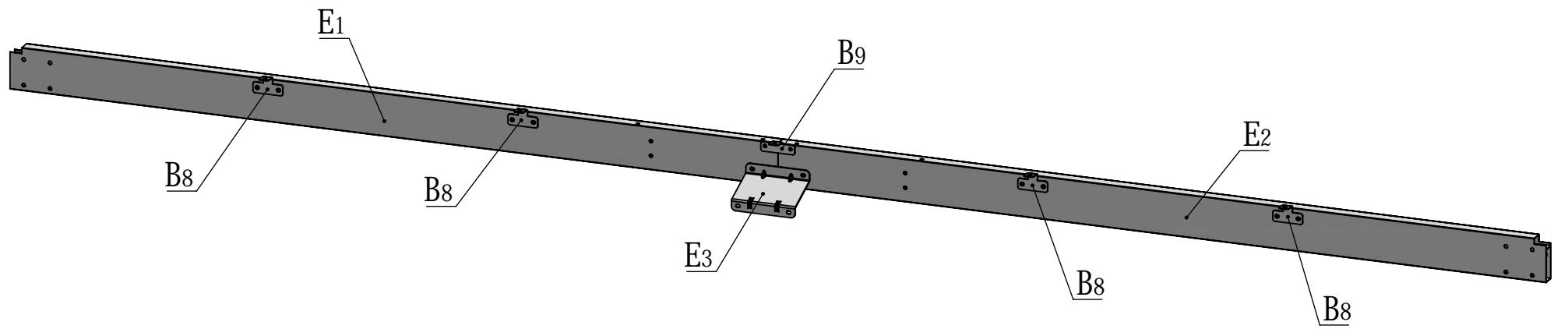


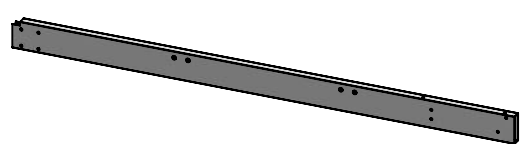
B6

D2

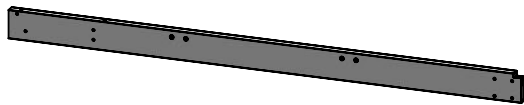
D1

B6

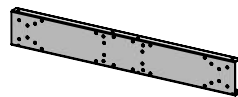




E1 1X



E2 1X

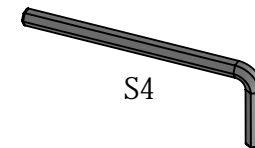


C3 1X



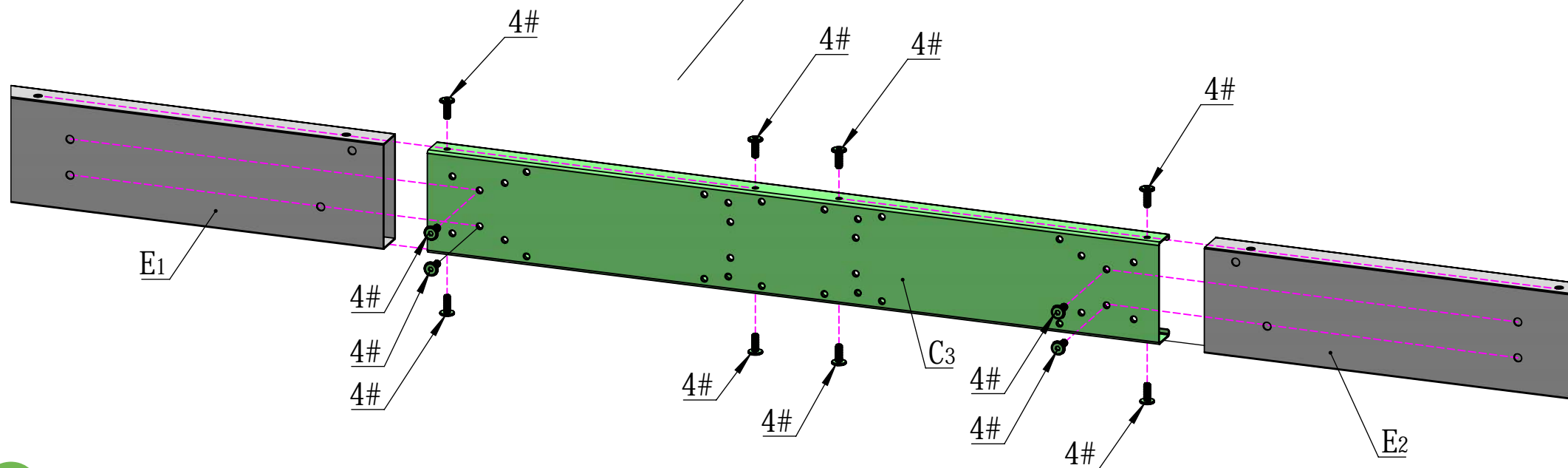
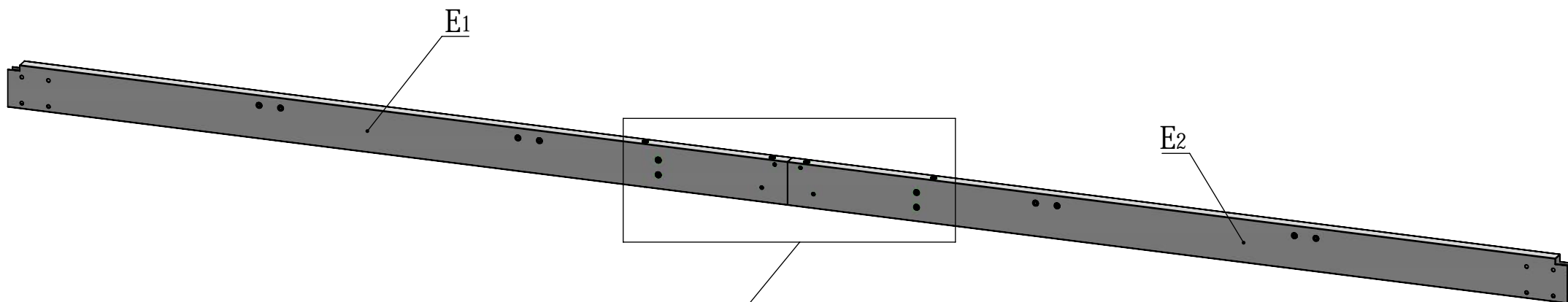
M6*16

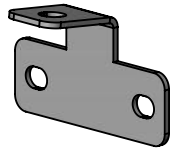
4# 12X



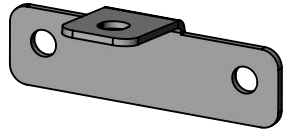
S4

16# 1X

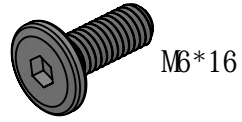




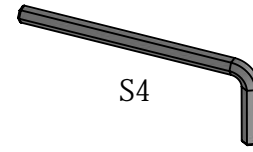
B8 4X



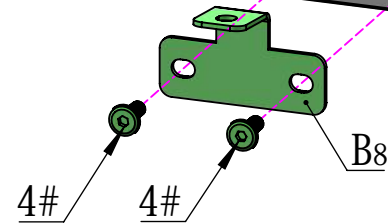
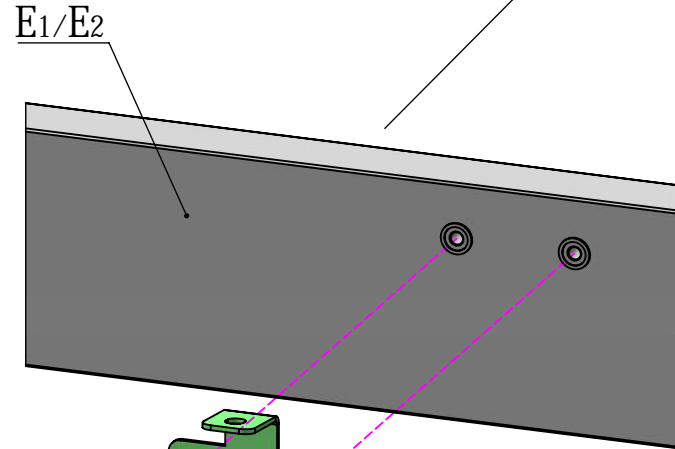
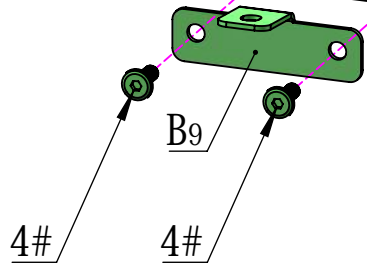
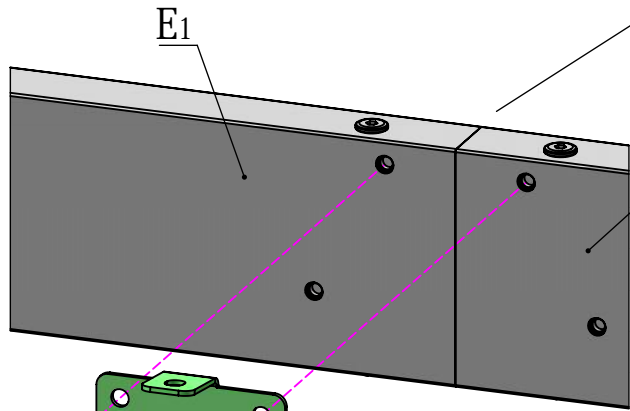
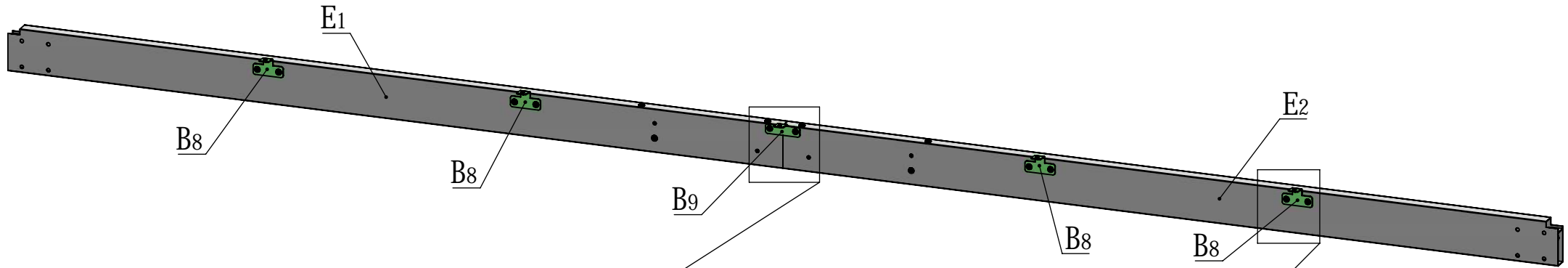
B9 1X



4# 10X

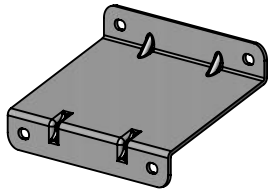


S4 16# 1X



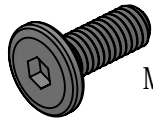
4X





E3

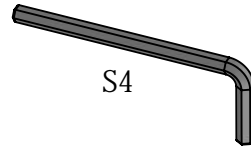
1X



M6*16

4#

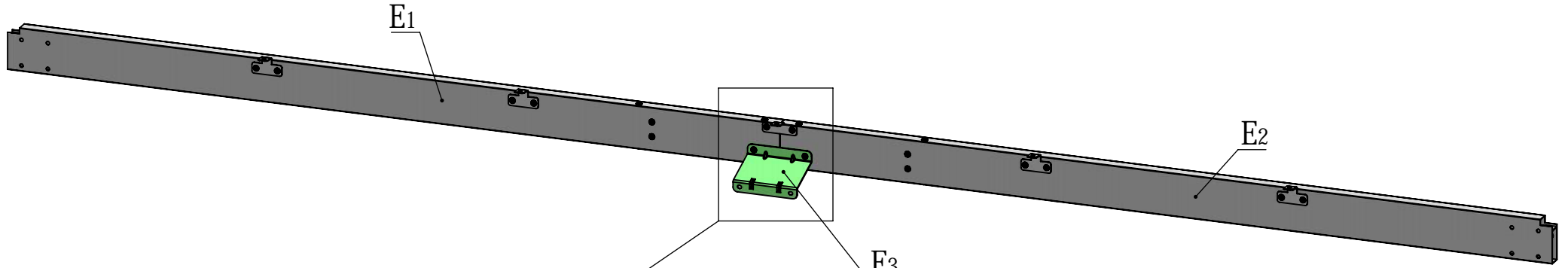
2X



S4

16#

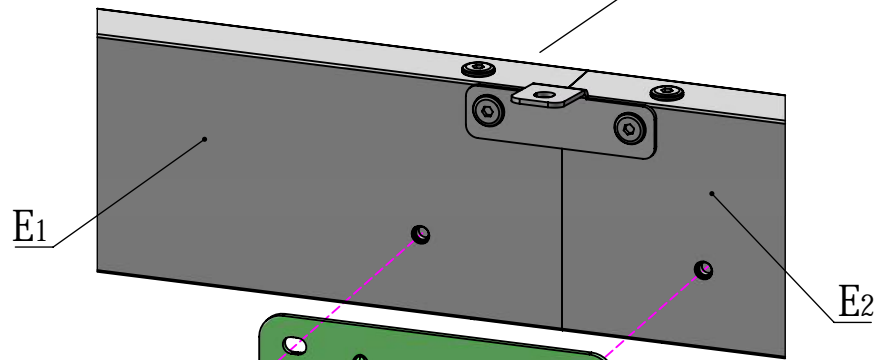
1X



E1

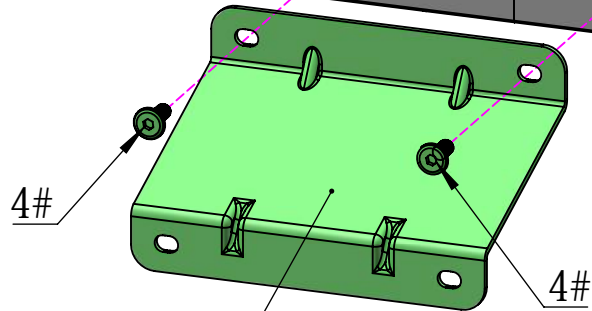
E2

E3



E1

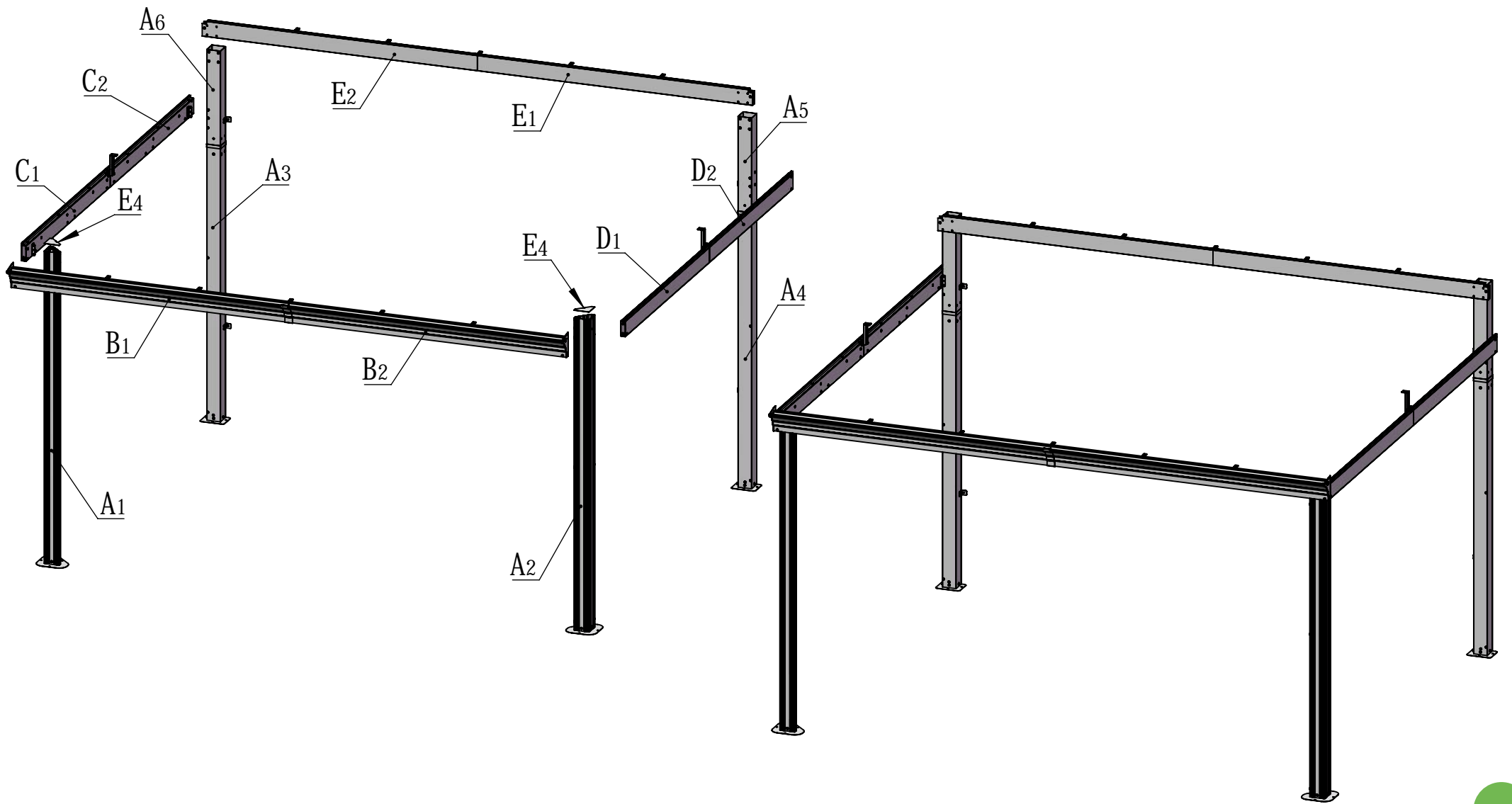
E2

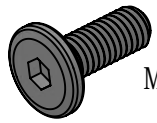


4#

4#

E3

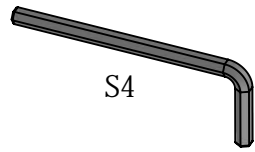




M6*16

4#

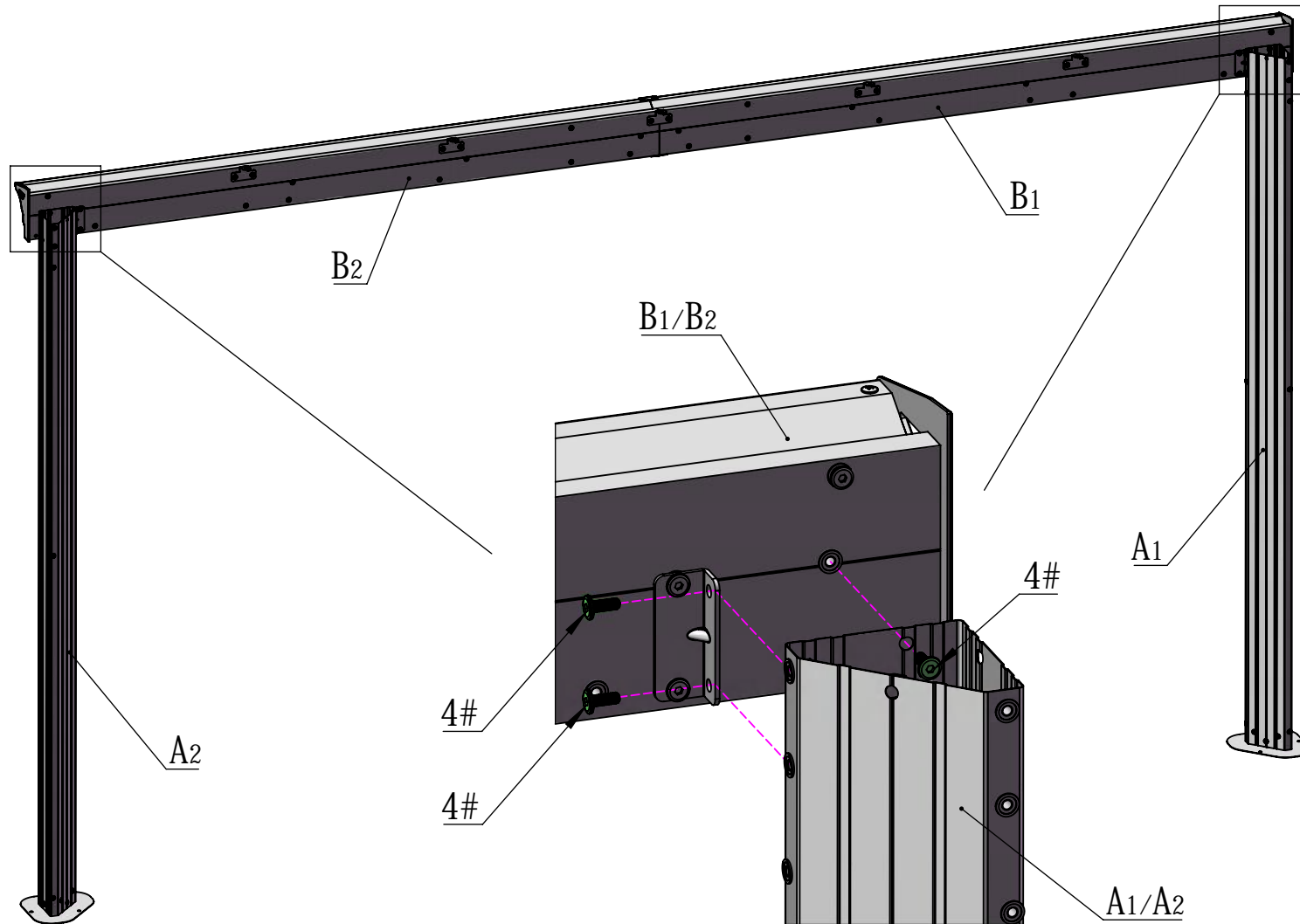
6X

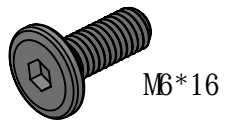


S4

16#

1X

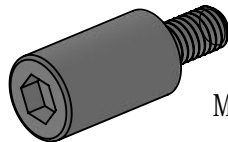




M6*16

4#

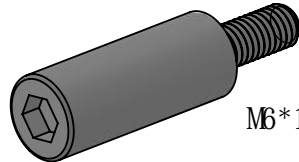
10X



M6*12(L20)

7#

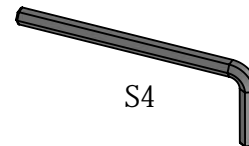
2X



M6*15(L30)

8#

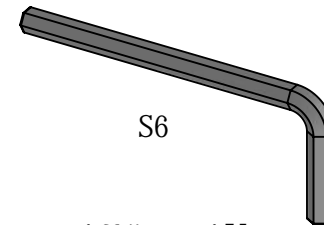
6X



S4

16#

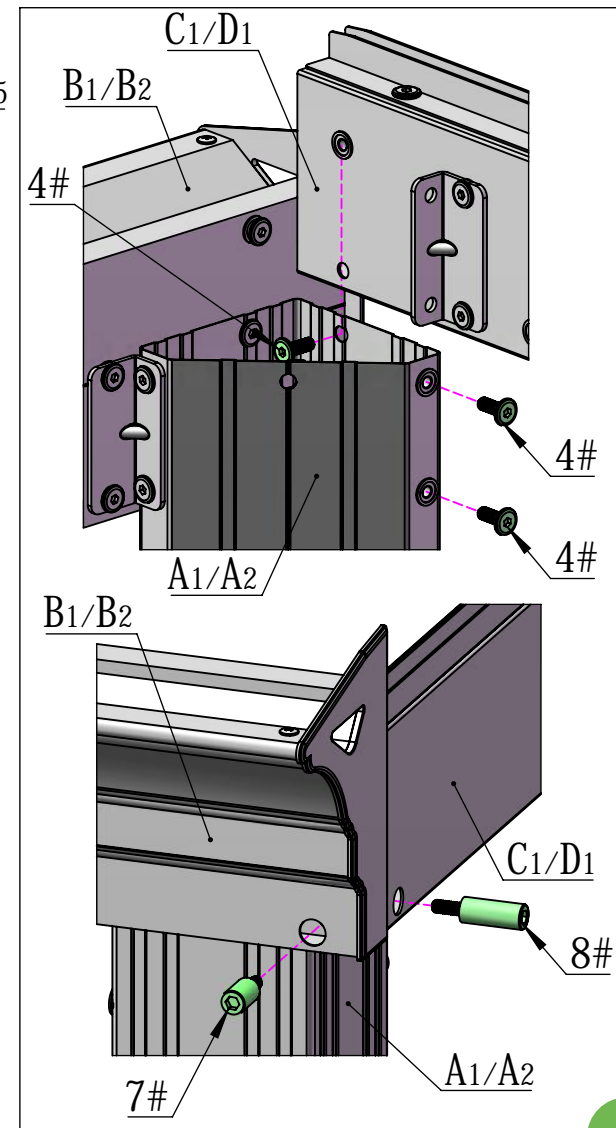
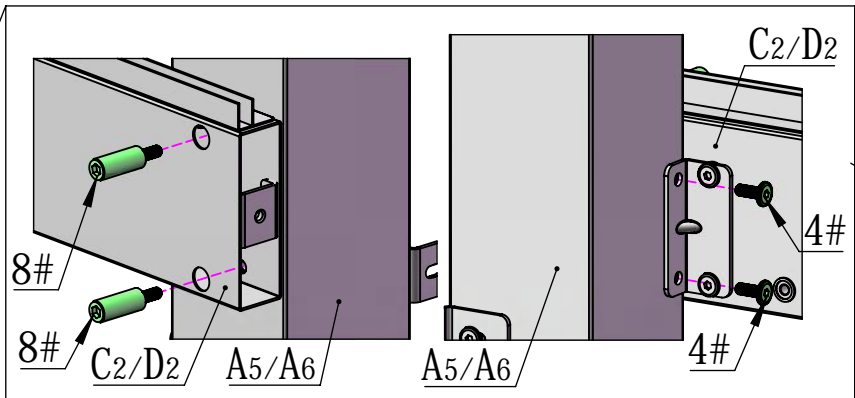
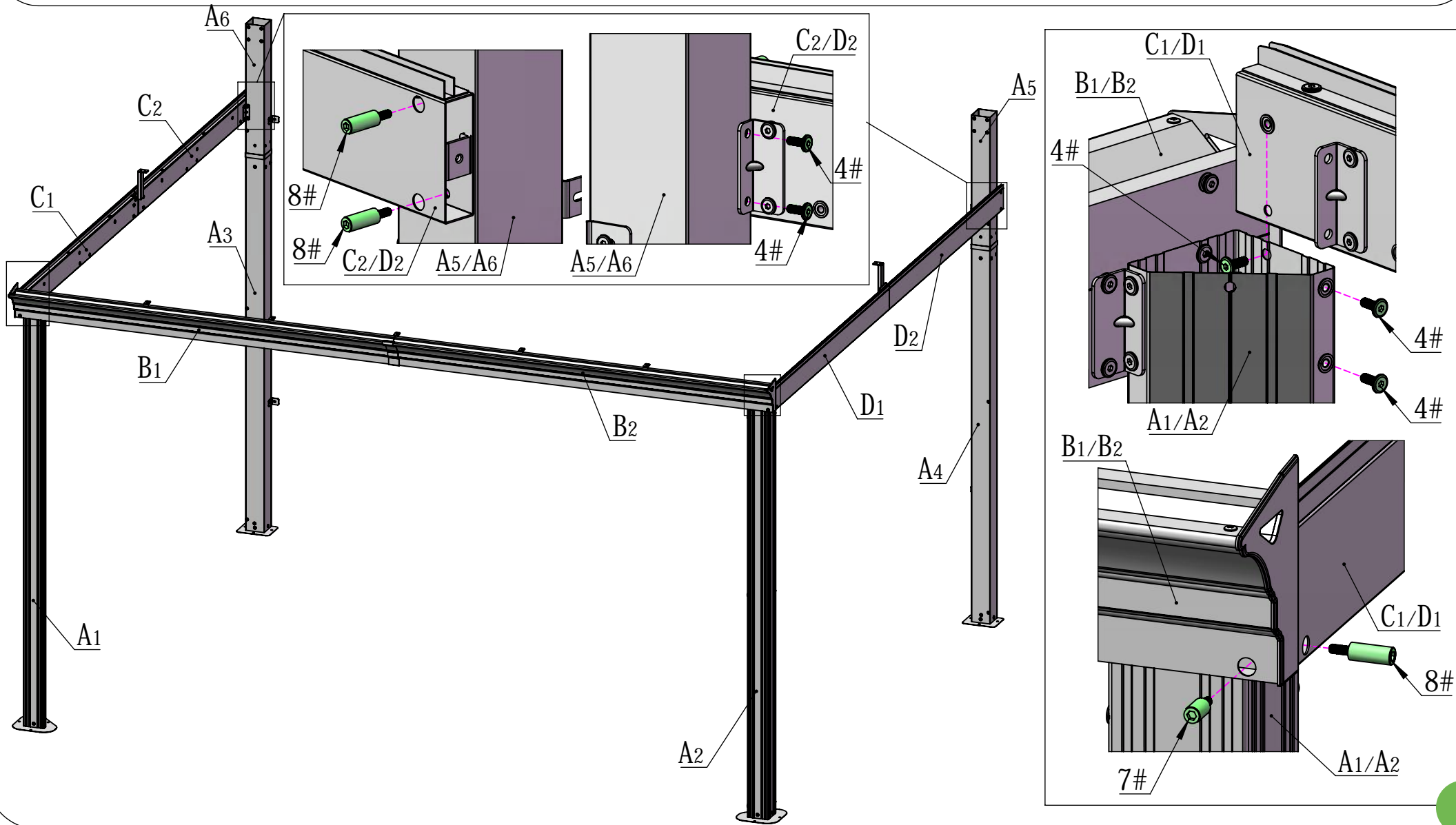
1X

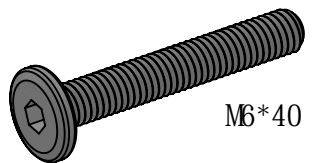


S6

17#

1X

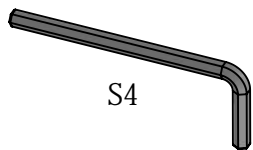




M6*40

6#

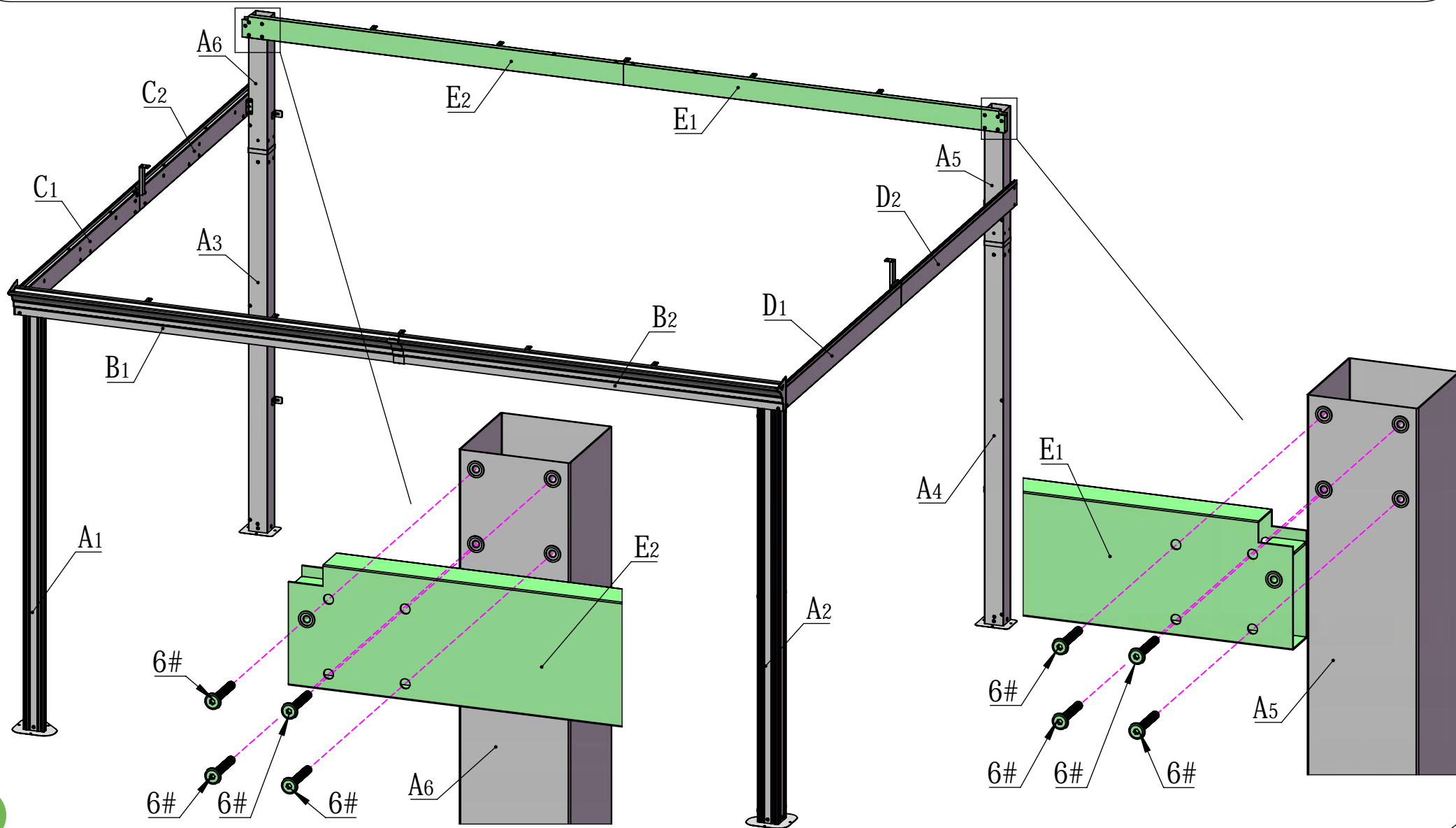
8X

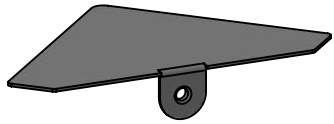


S4

16#

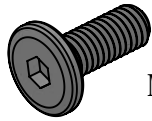
1X





E4

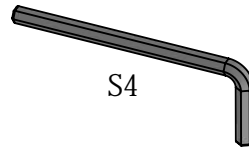
2X



M6*16

4#

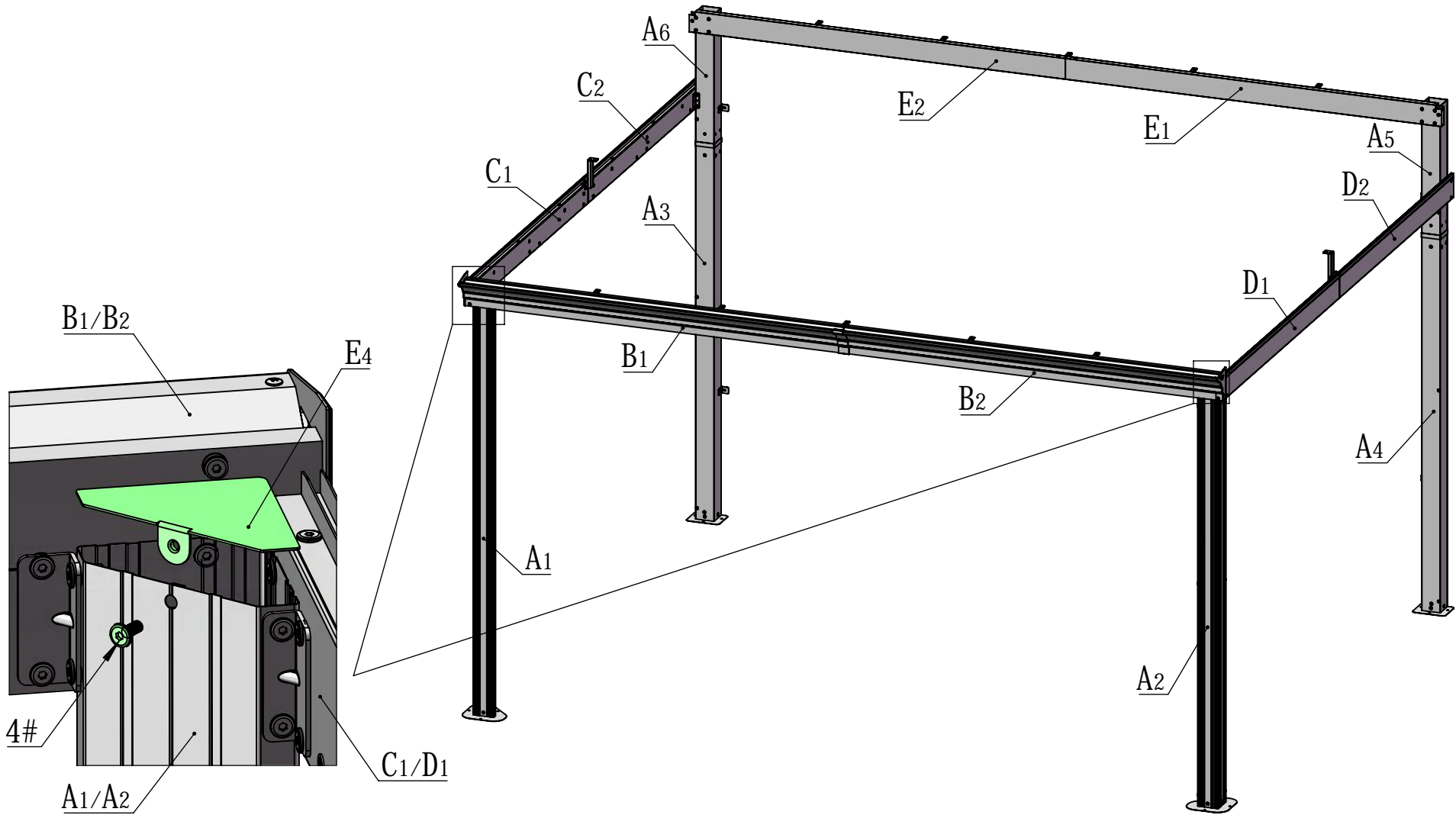
2X

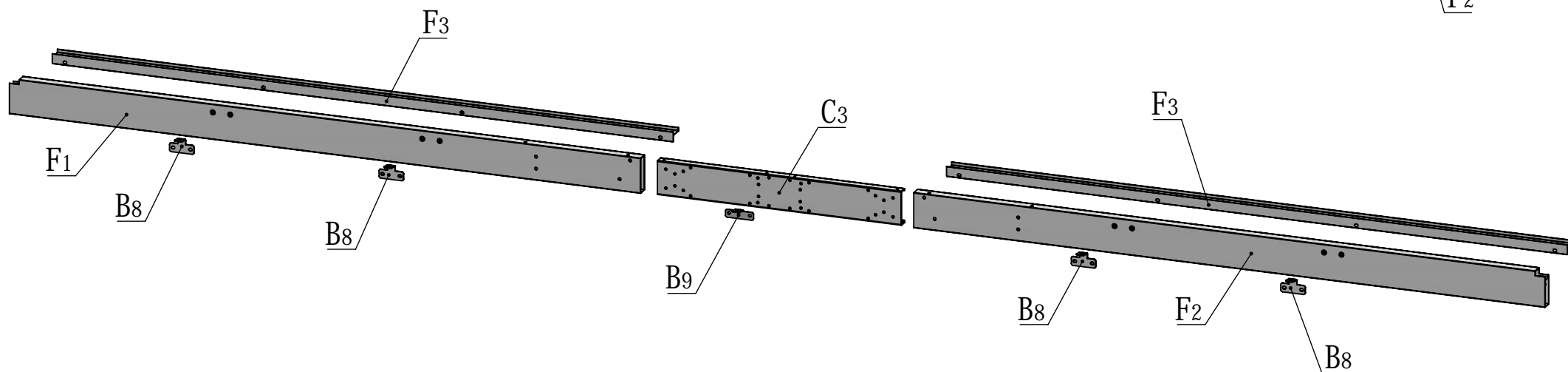
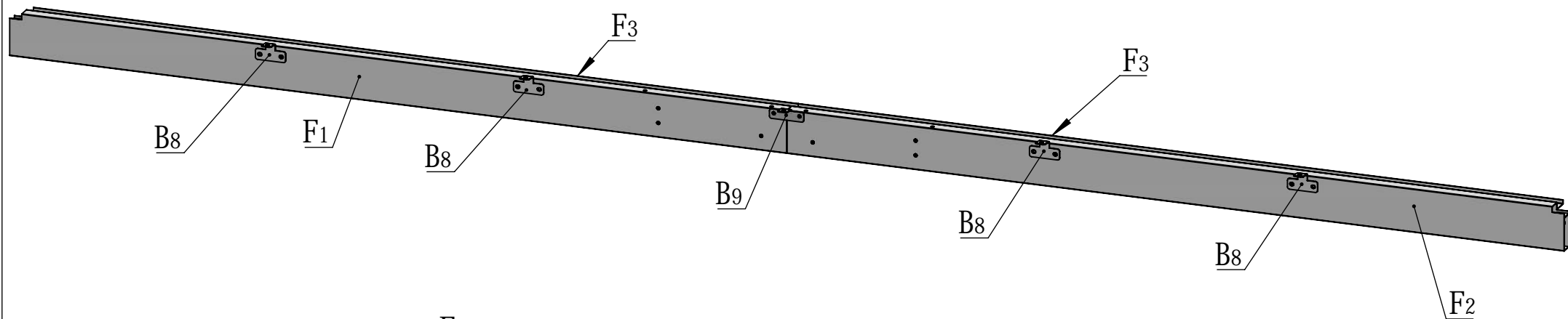


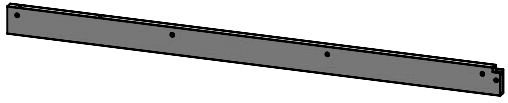
S4

16#

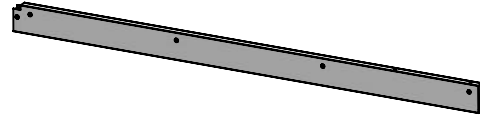
1X



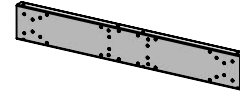




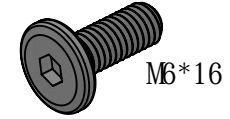
F1 1X



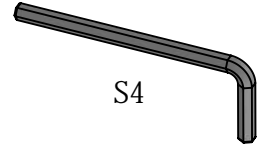
F2 1X



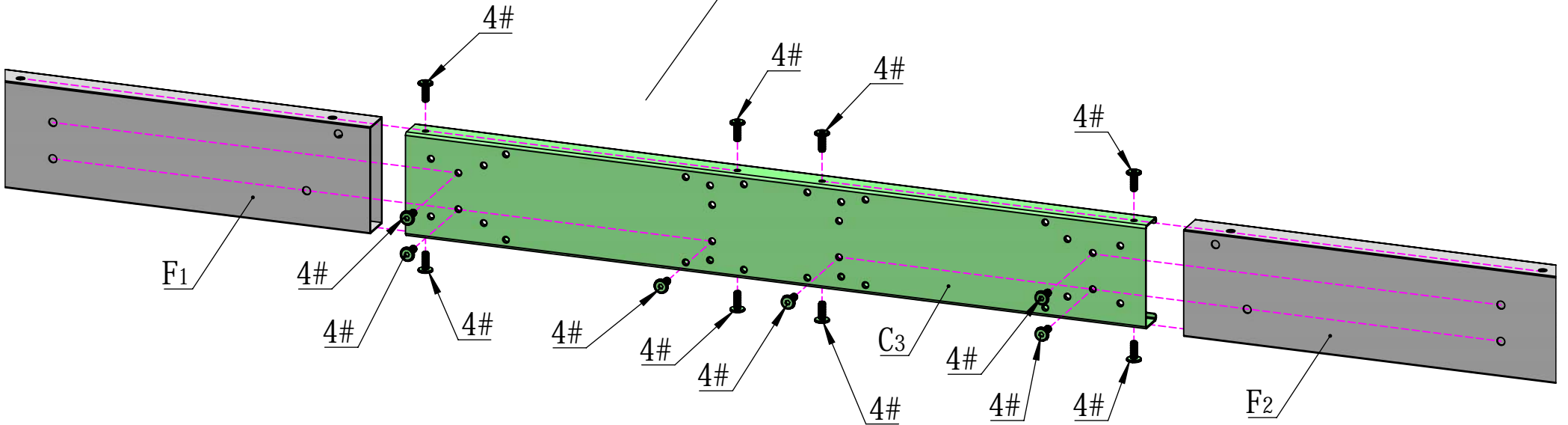
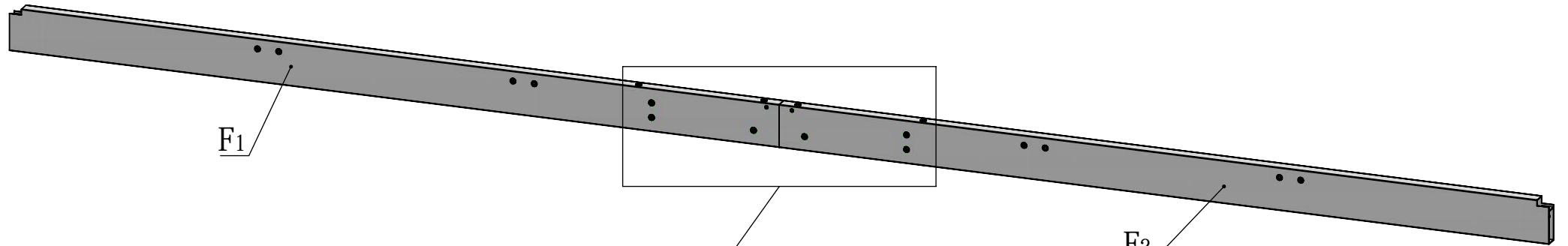
C3 1X

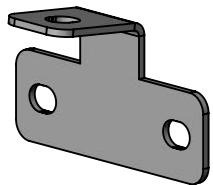


4# 14X

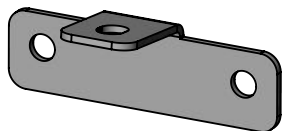


16# 1X





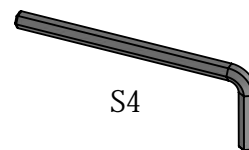
B8 4X



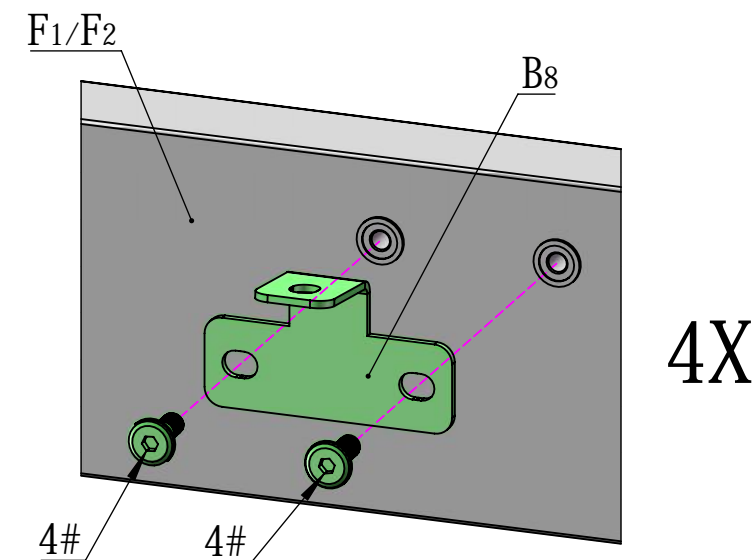
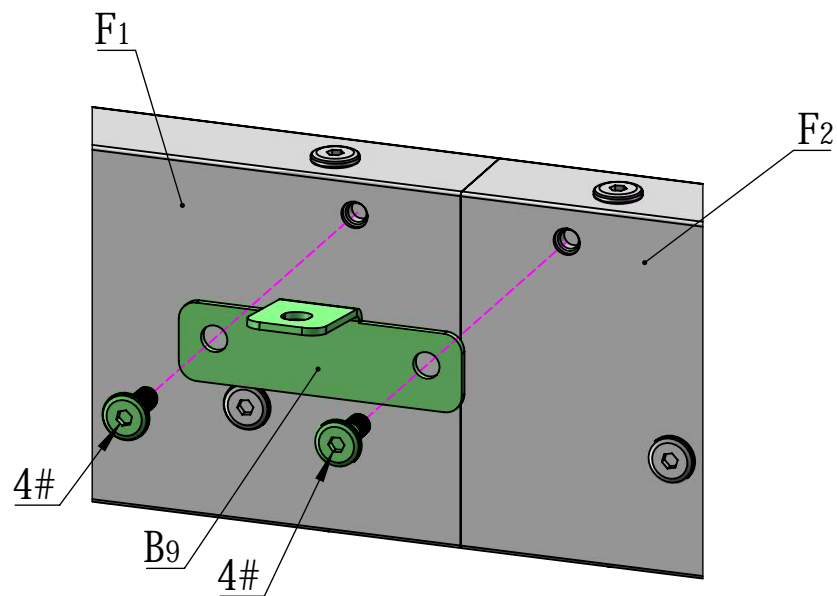
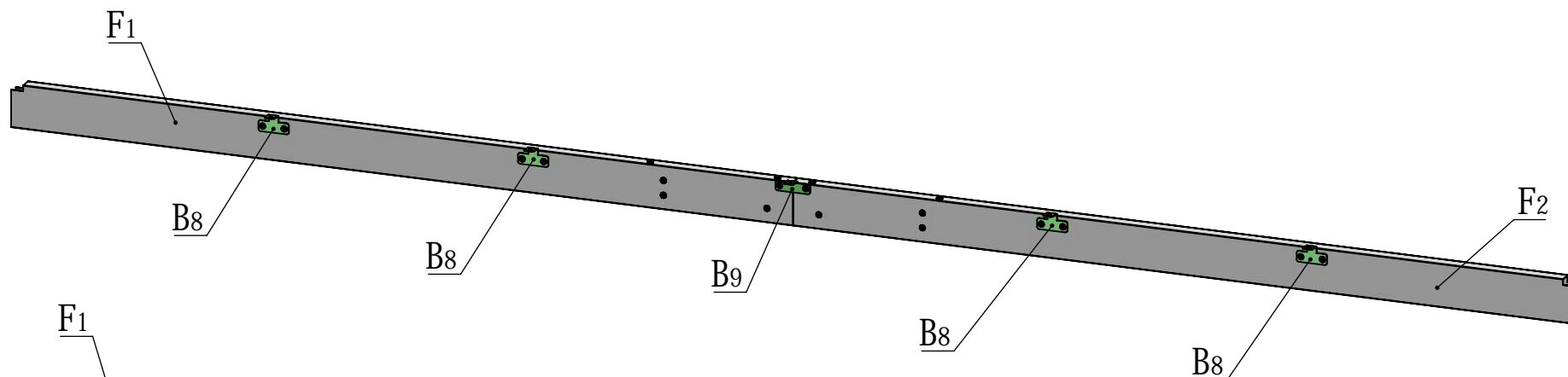
B9 1X



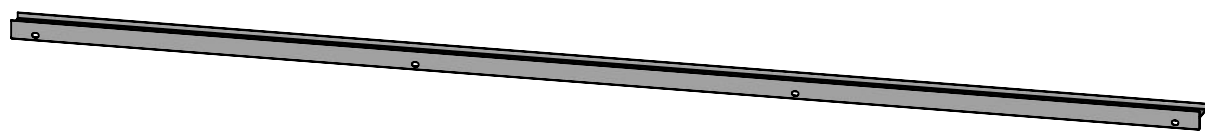
M6*16
4# 10X



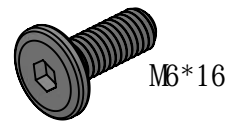
S4
16# 1X



4X

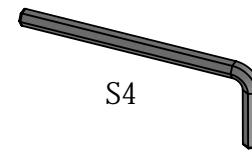


F3 2X



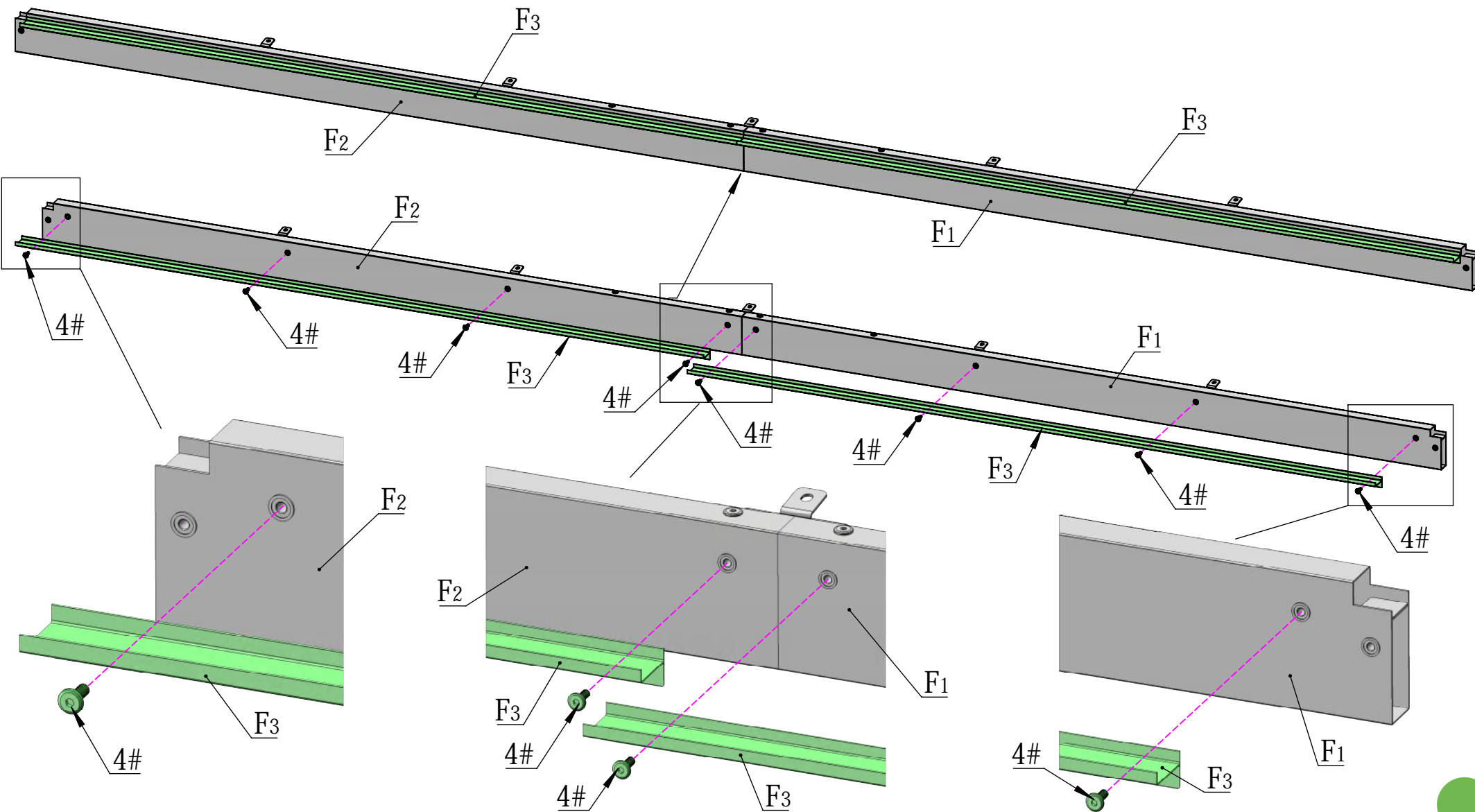
M6*16

4# 8X



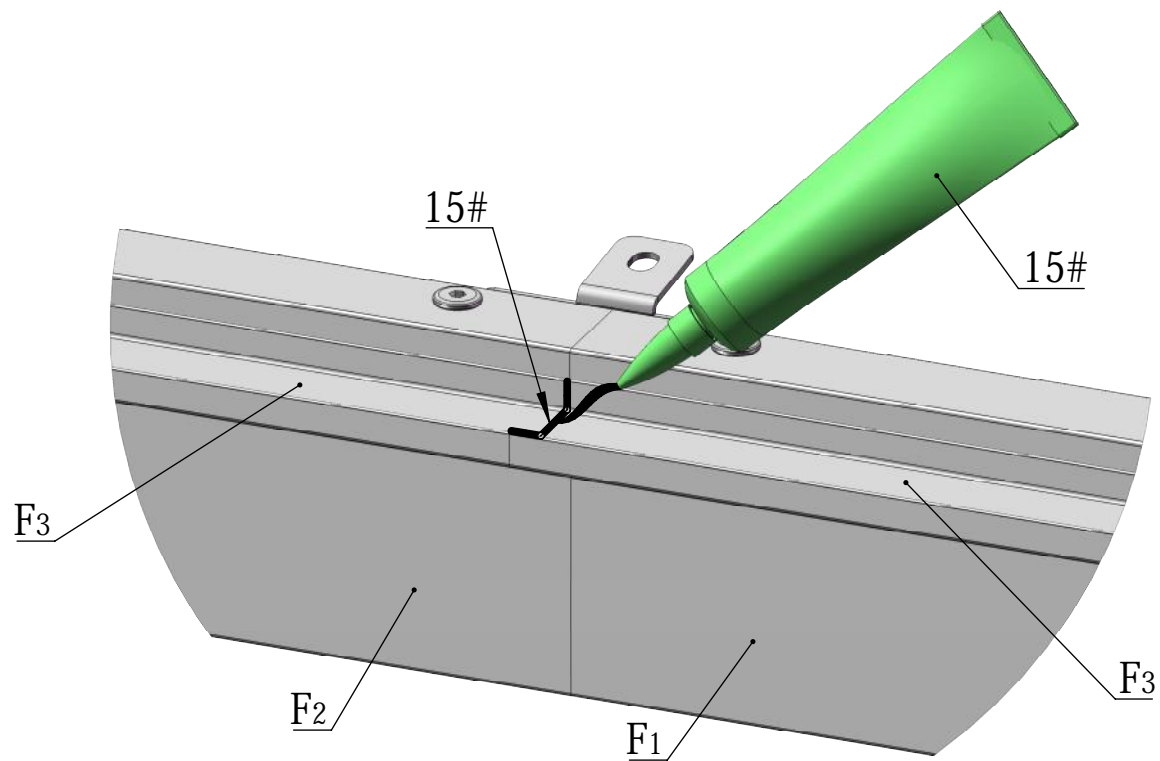
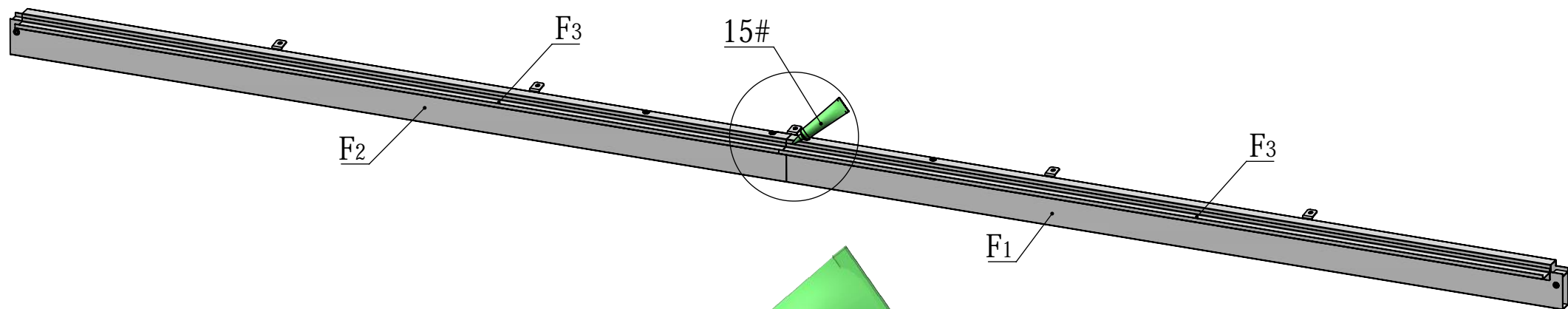
S4

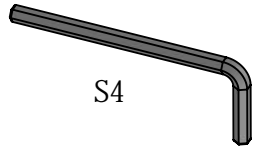
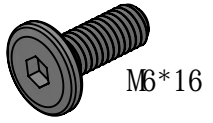
16# 1X





15# 1X



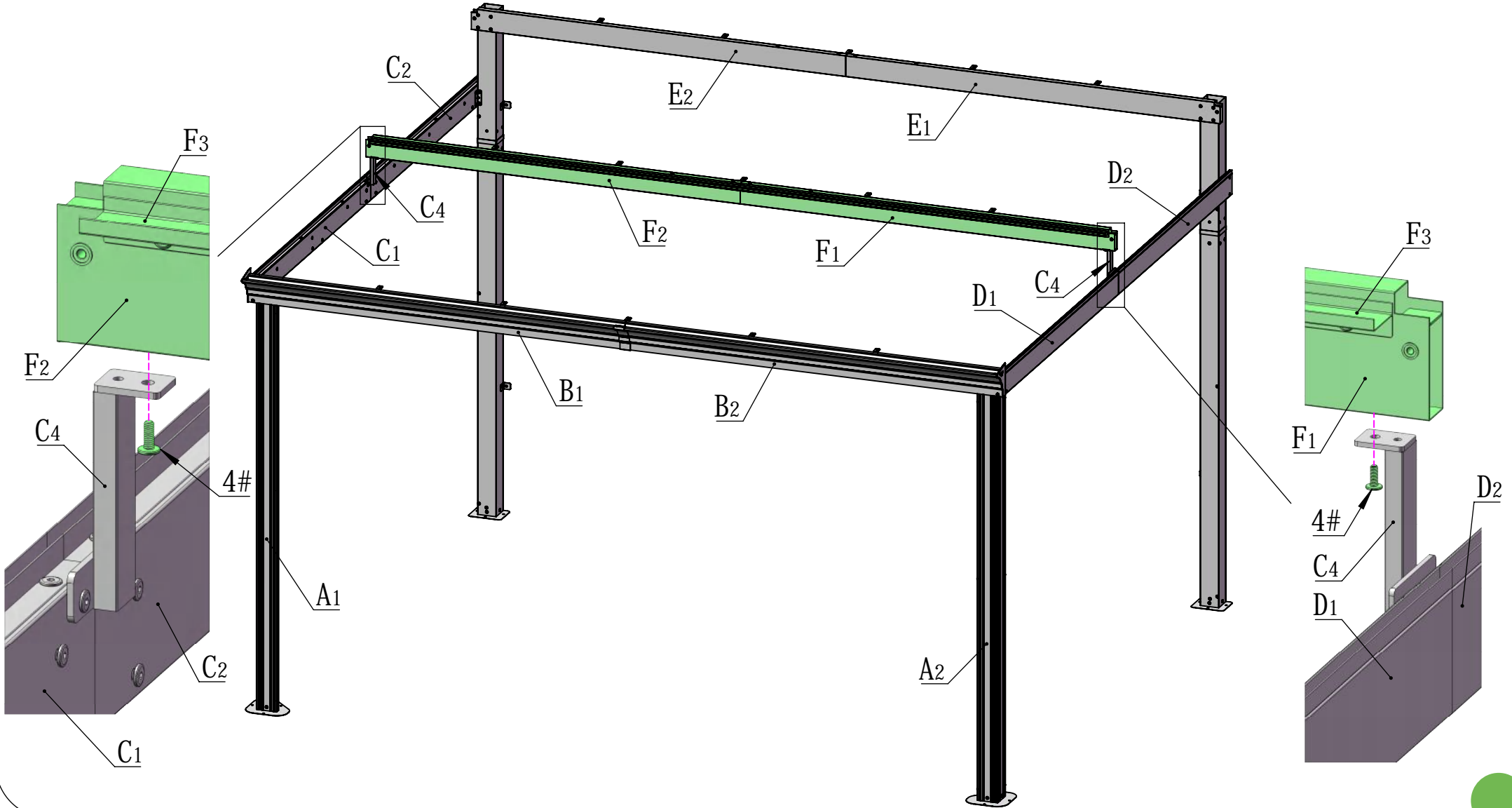


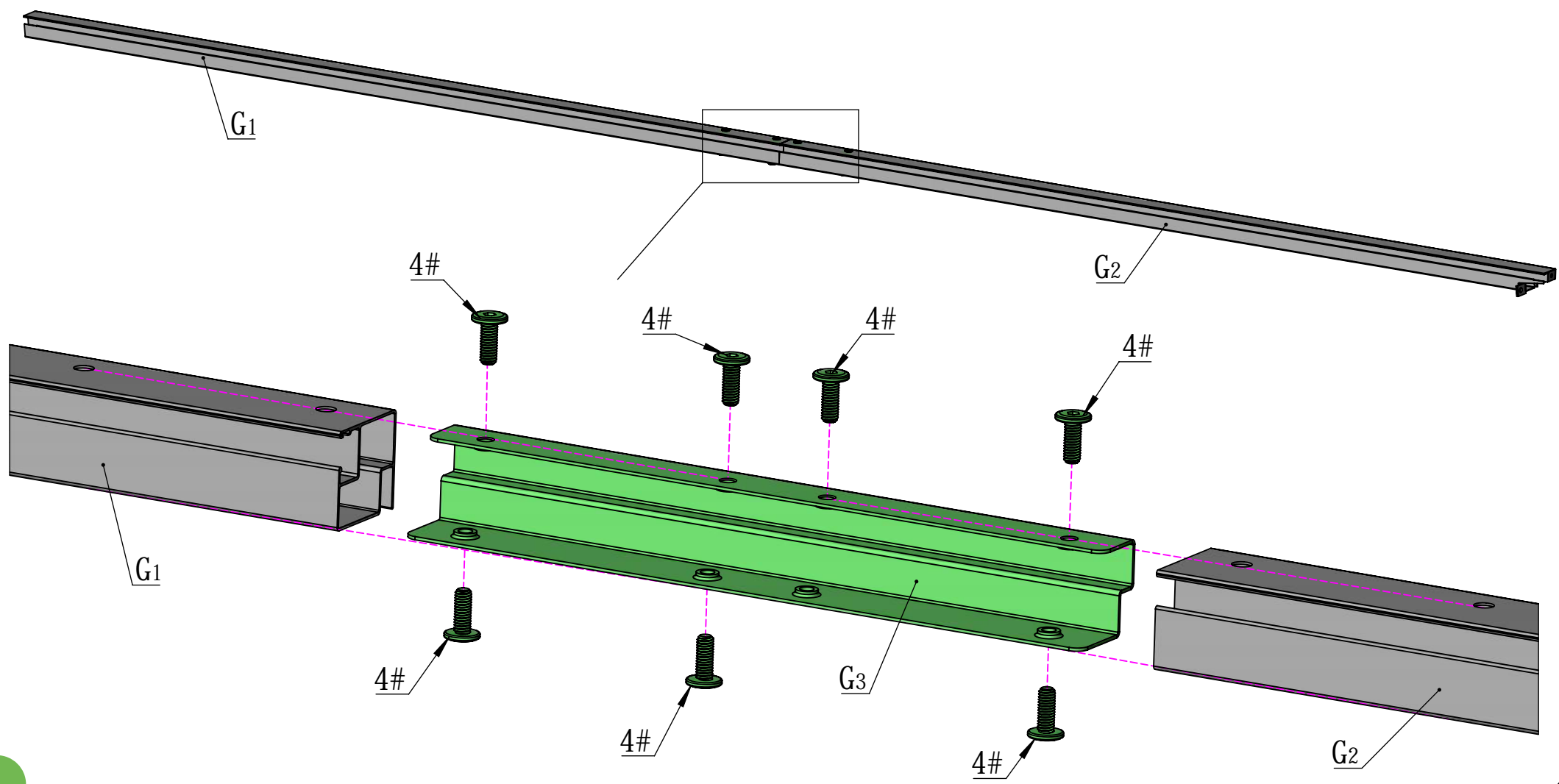
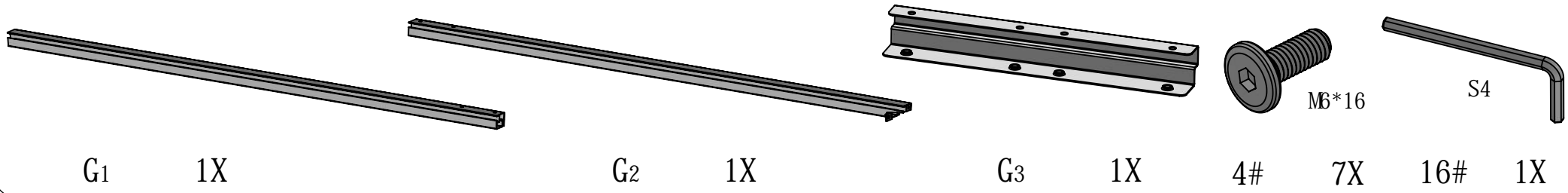
4#

2X

16#

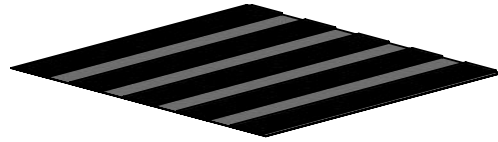
1X



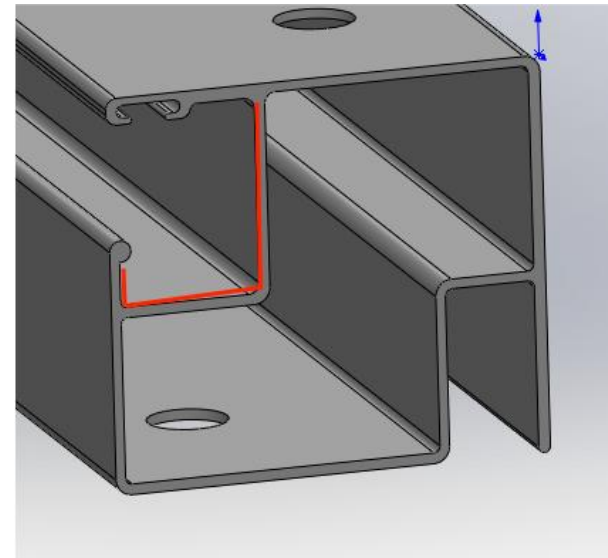
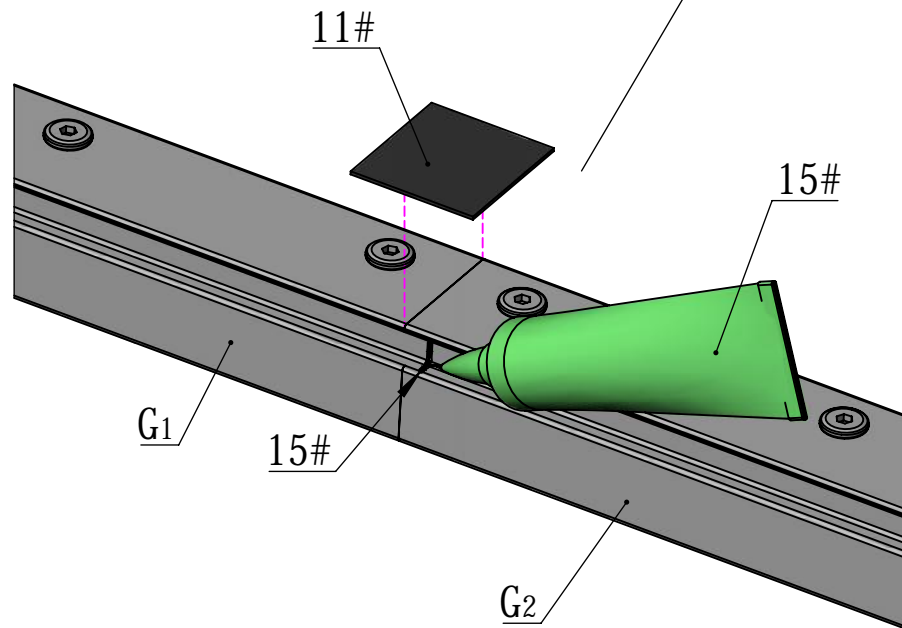
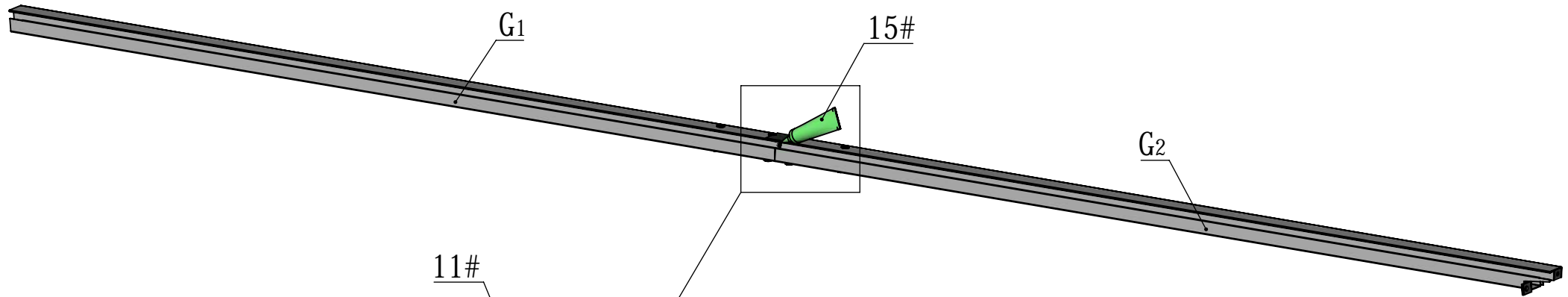


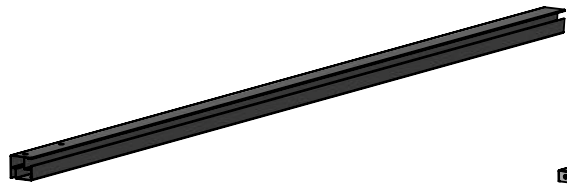


15# 1X

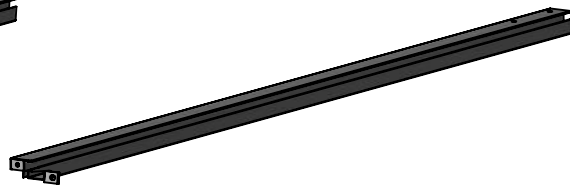


11# 1X

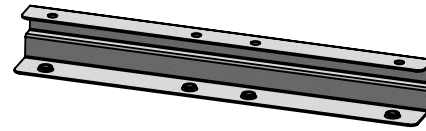




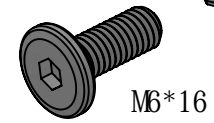
G4 1X



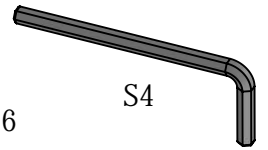
G5 1X



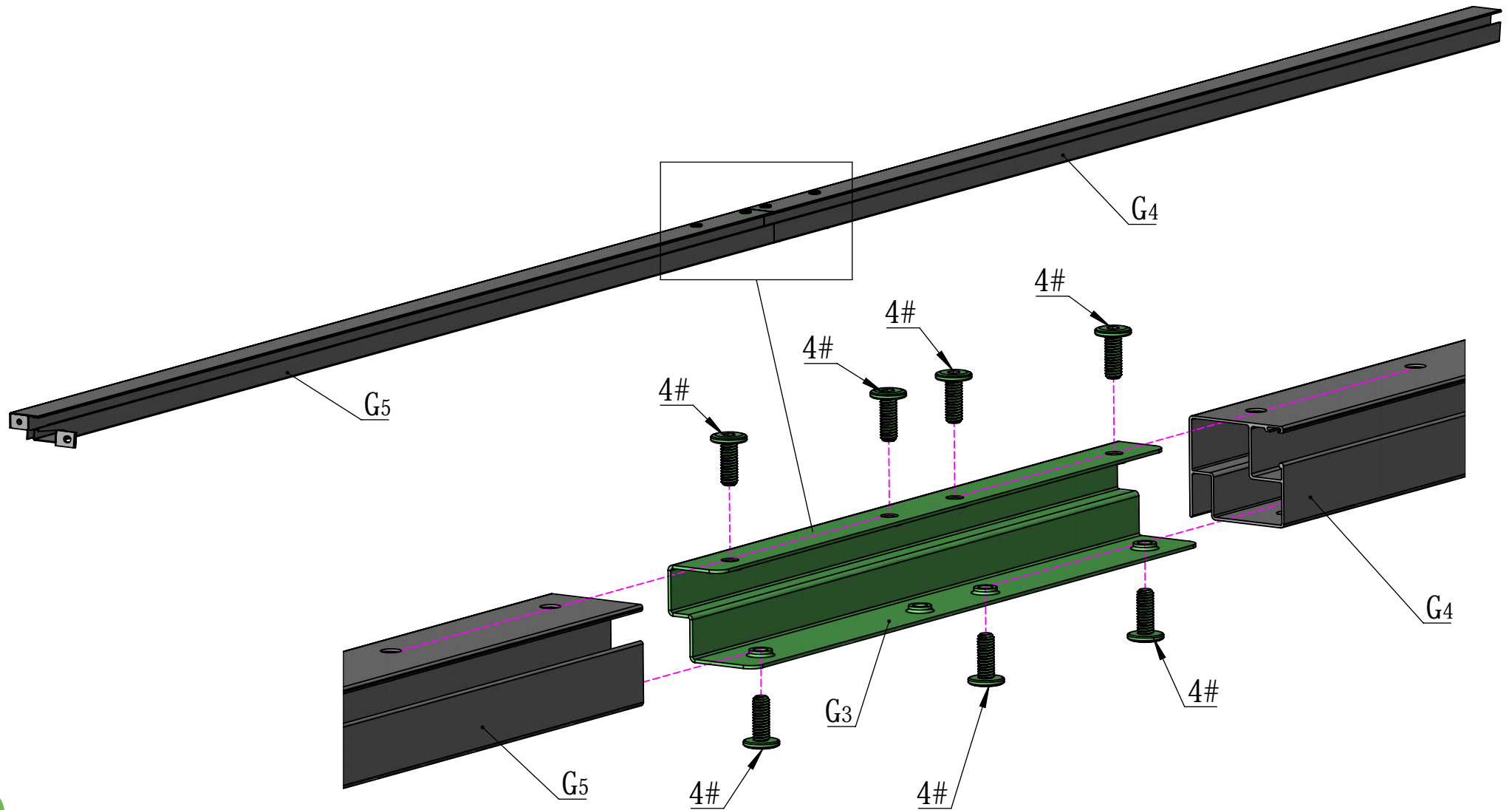
G3 1X



4# 7X



16# 1X

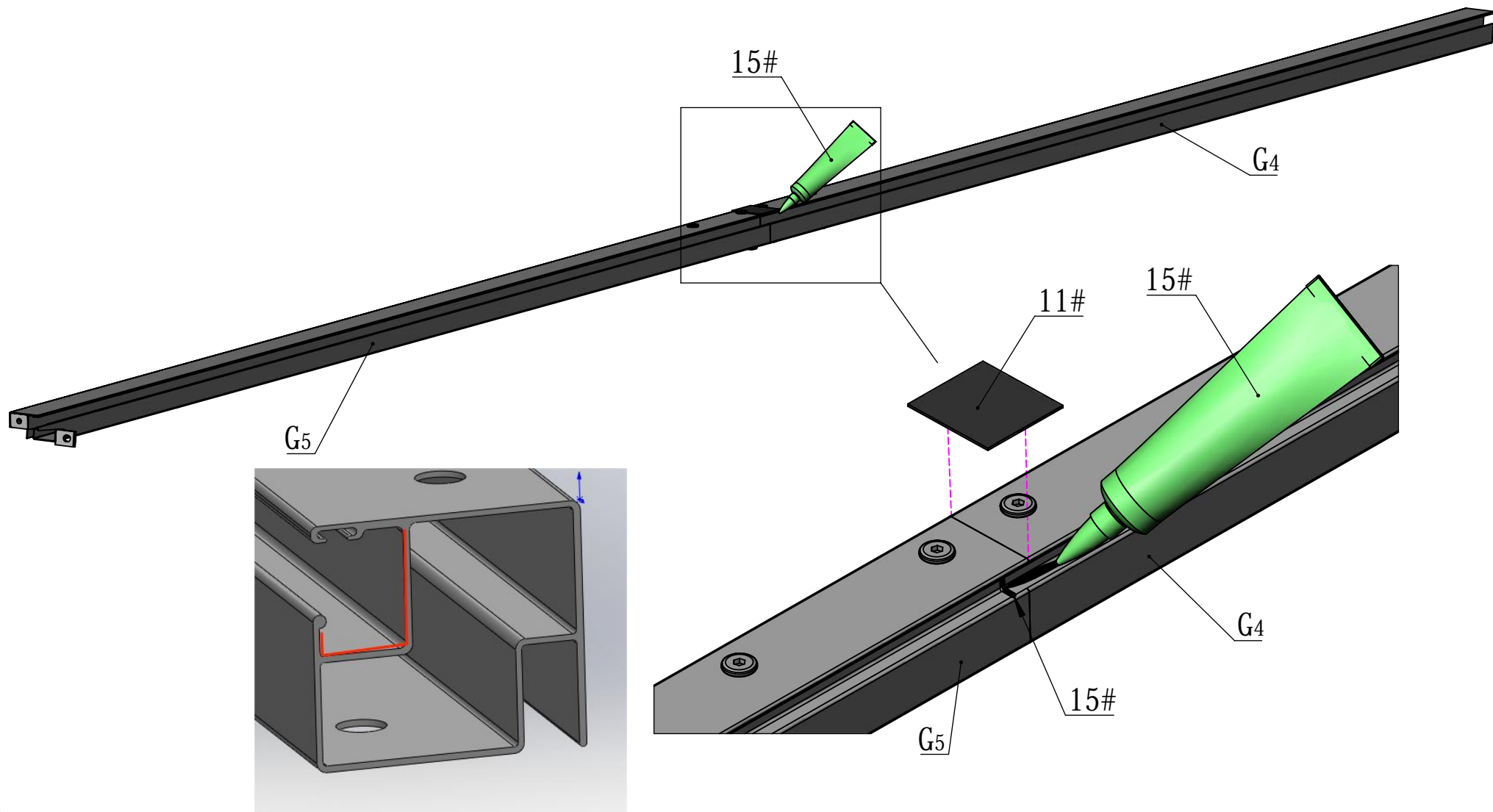


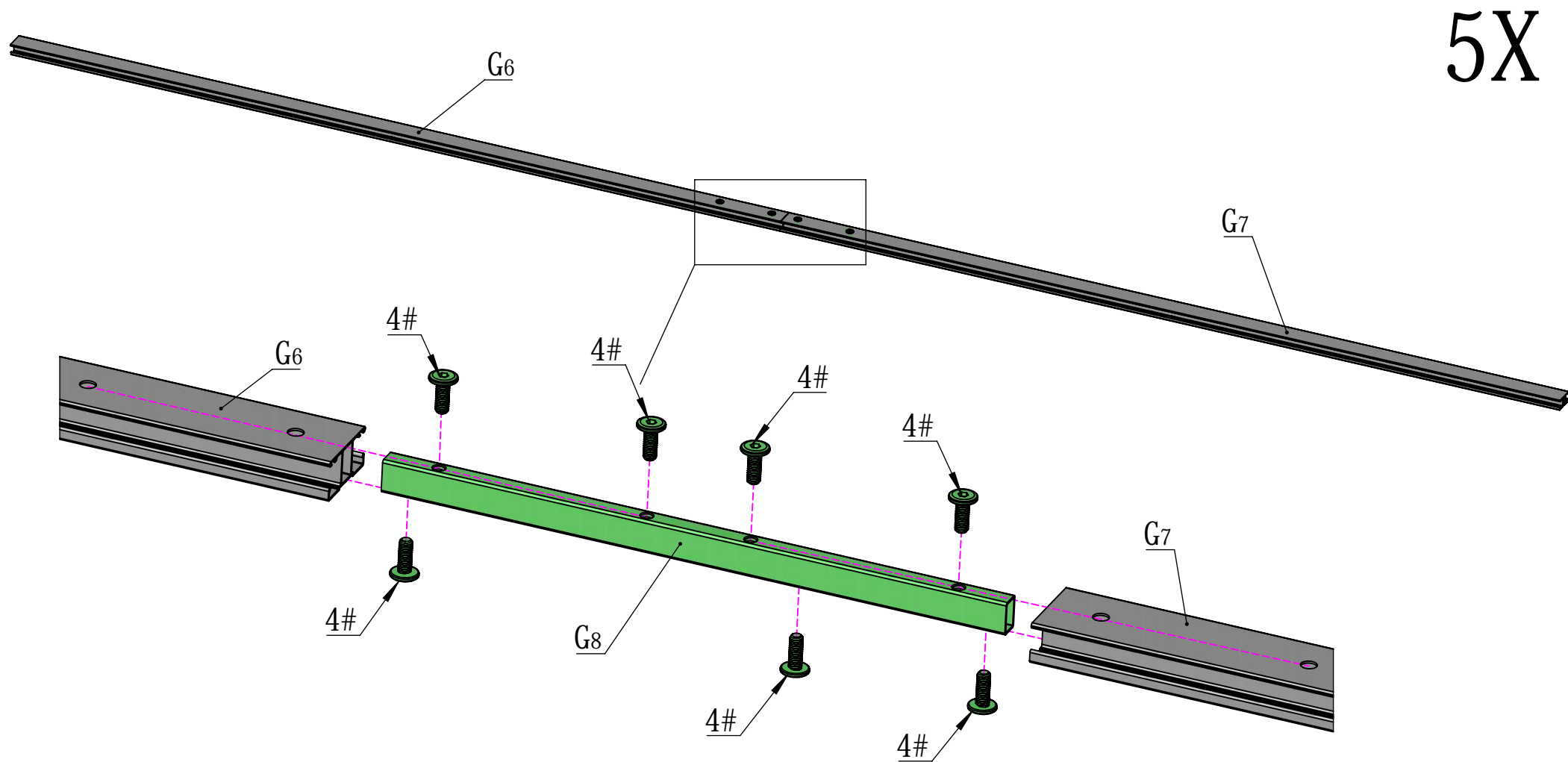
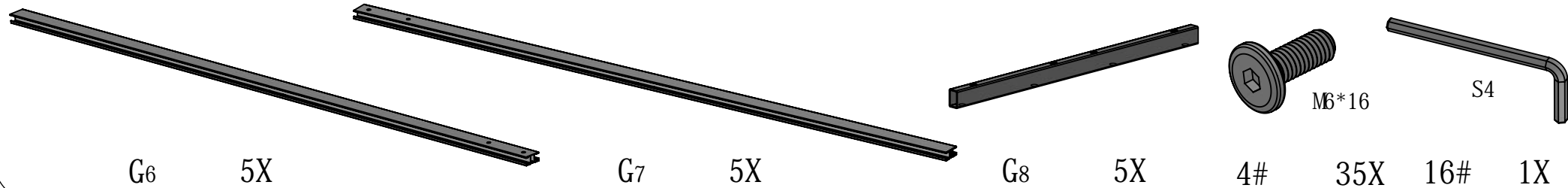


15# 1X



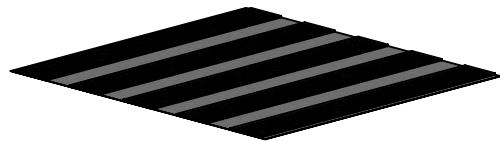
11# 1X





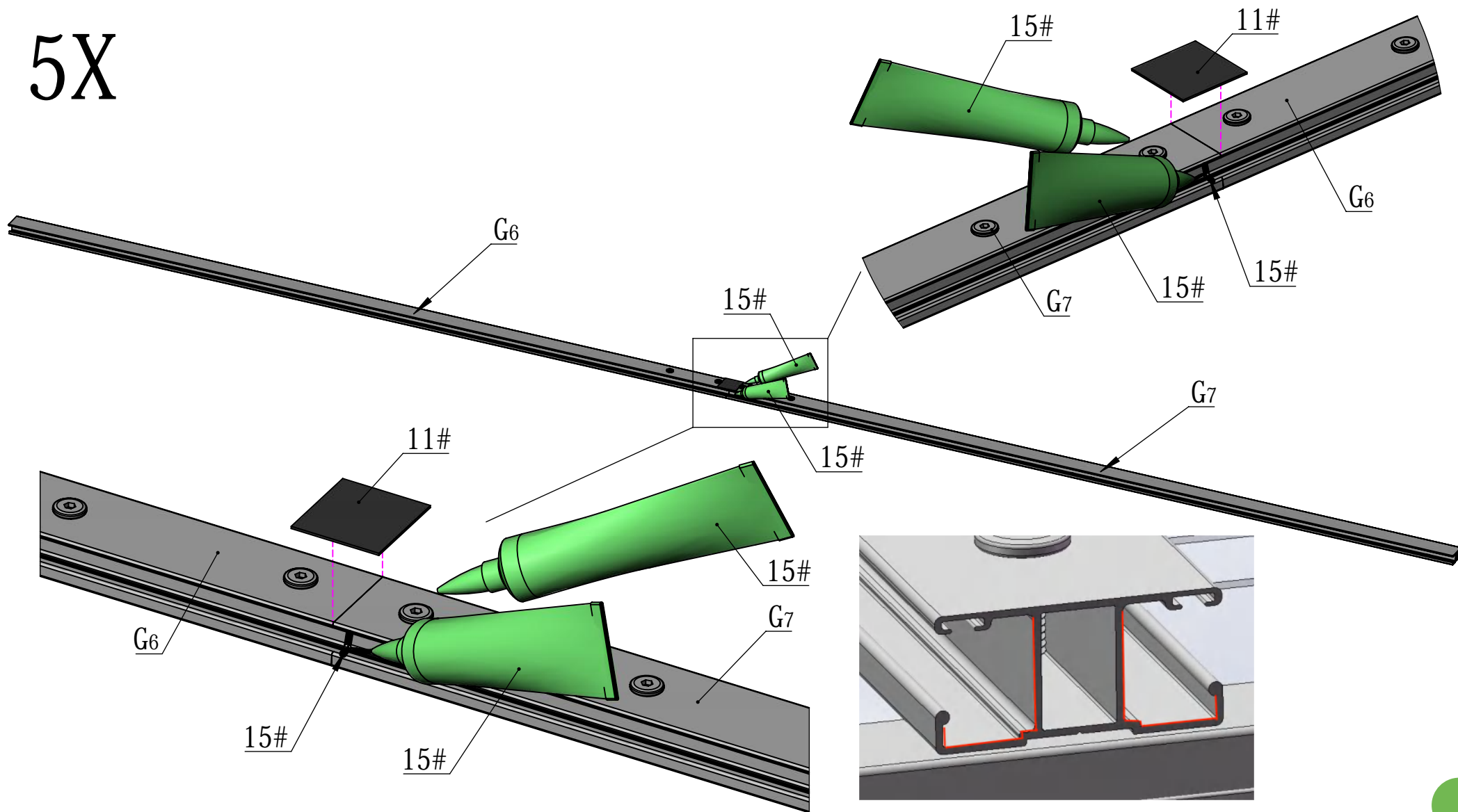


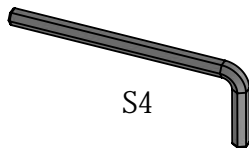
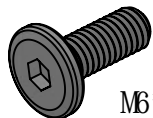
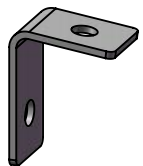
15# 1X



11# 1X

5X





G9

4X

4#

10X

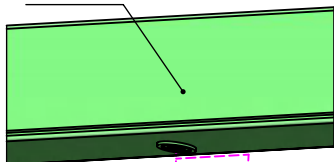
16#

1X

M6*16

S4

G4/G1



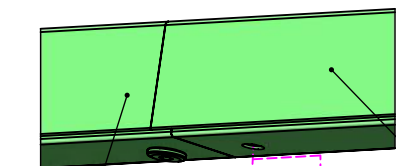
G9

4#

E2/E1

4#

A6/A5



G5/G2

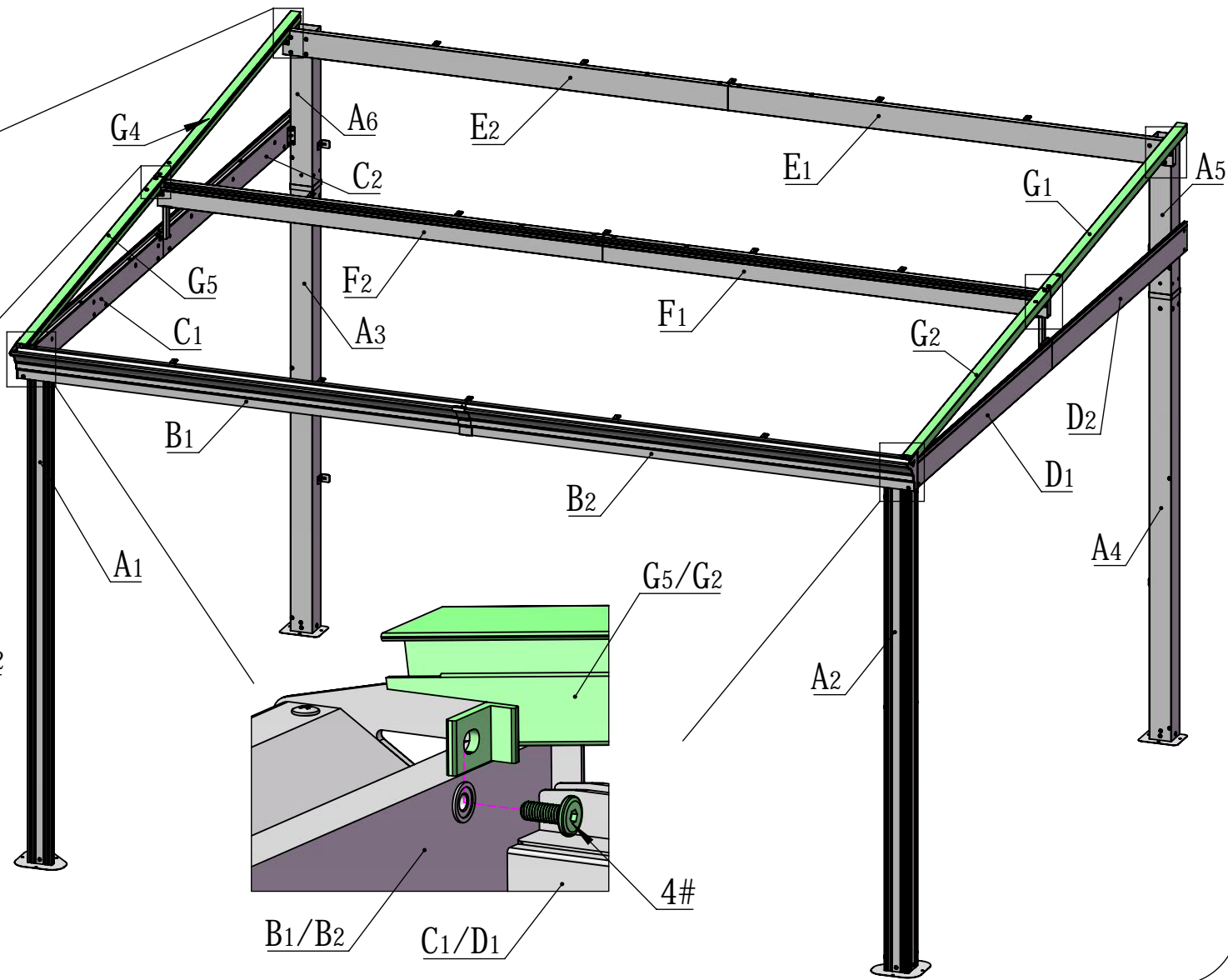
G4/G1

G9

4#

4#

F2/F1



G4

A6

E2

E1

G1

A5

G5

A3

F1

G2

C1

B1

B2

D2

D1

A1

G5/G2

A2

A4

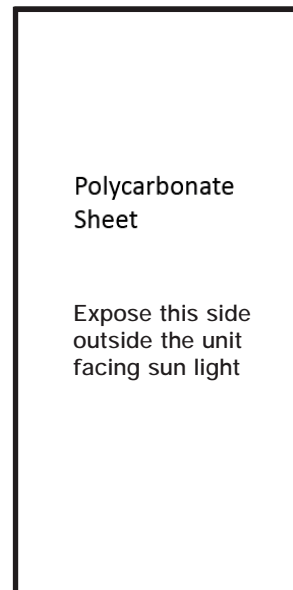
B1/B2

C1/D1

4#

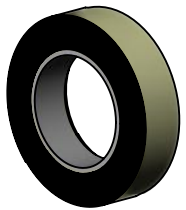
IMPORTANT! POLYCARBONATE INFORMATION

- Each polycarbonate panel has a UV coating on only ONE (1) side of the panel.
- To install properly so the UV coating is on the outside of the panel.

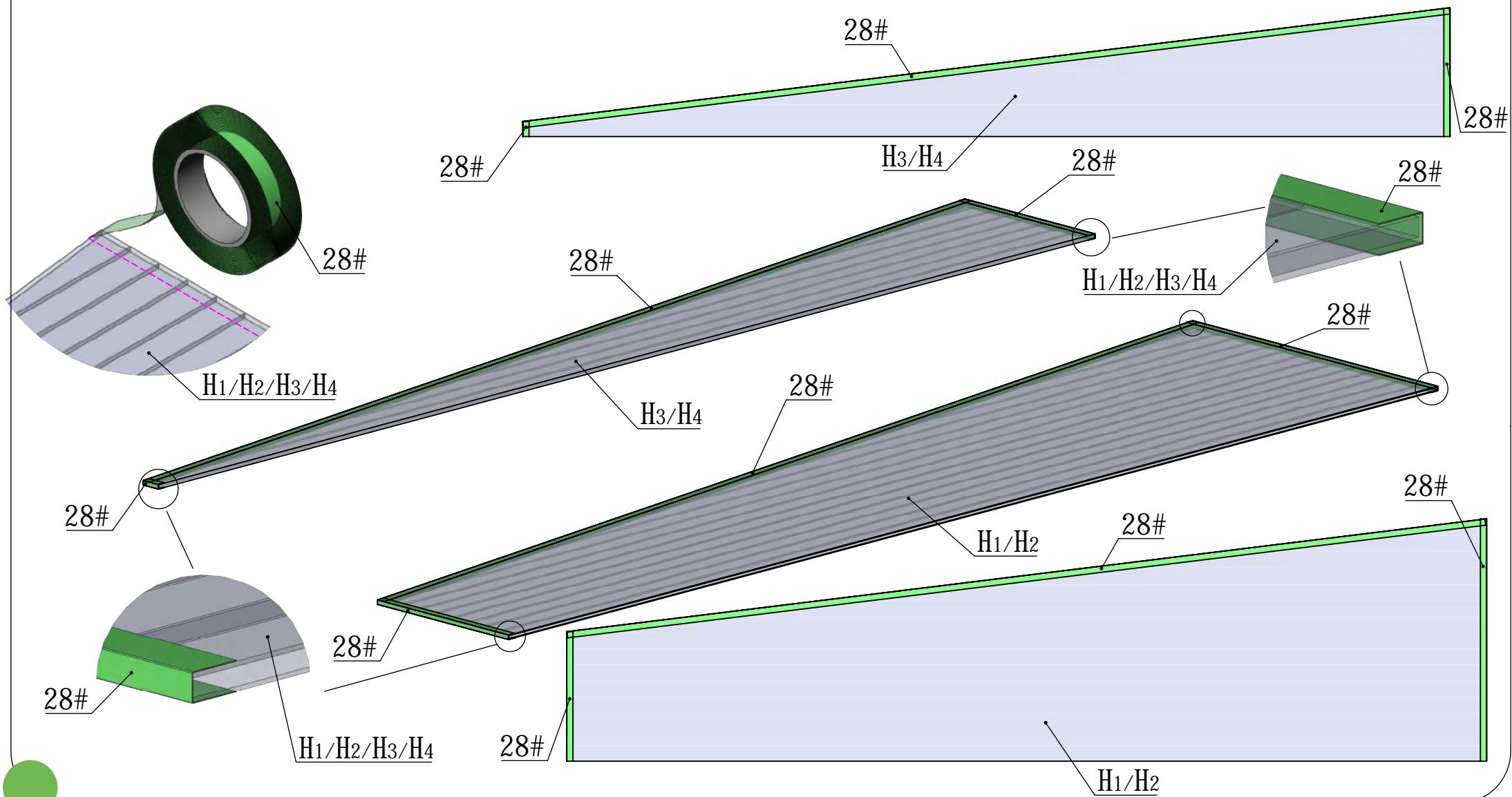


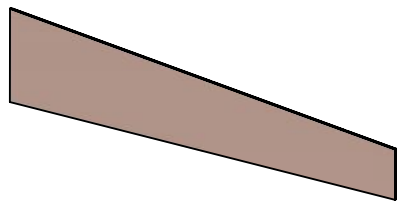
- Remove film immediately before installing tape to prevent damage to the panels.



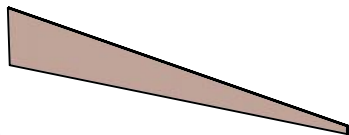


28# 1X

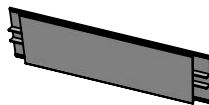




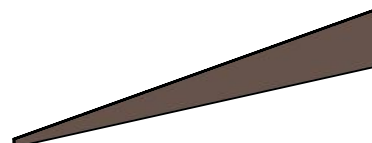
H1 1X



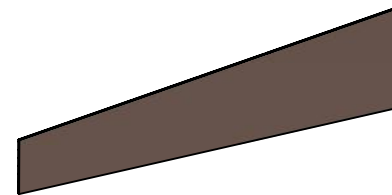
H3 1X



H5 1X



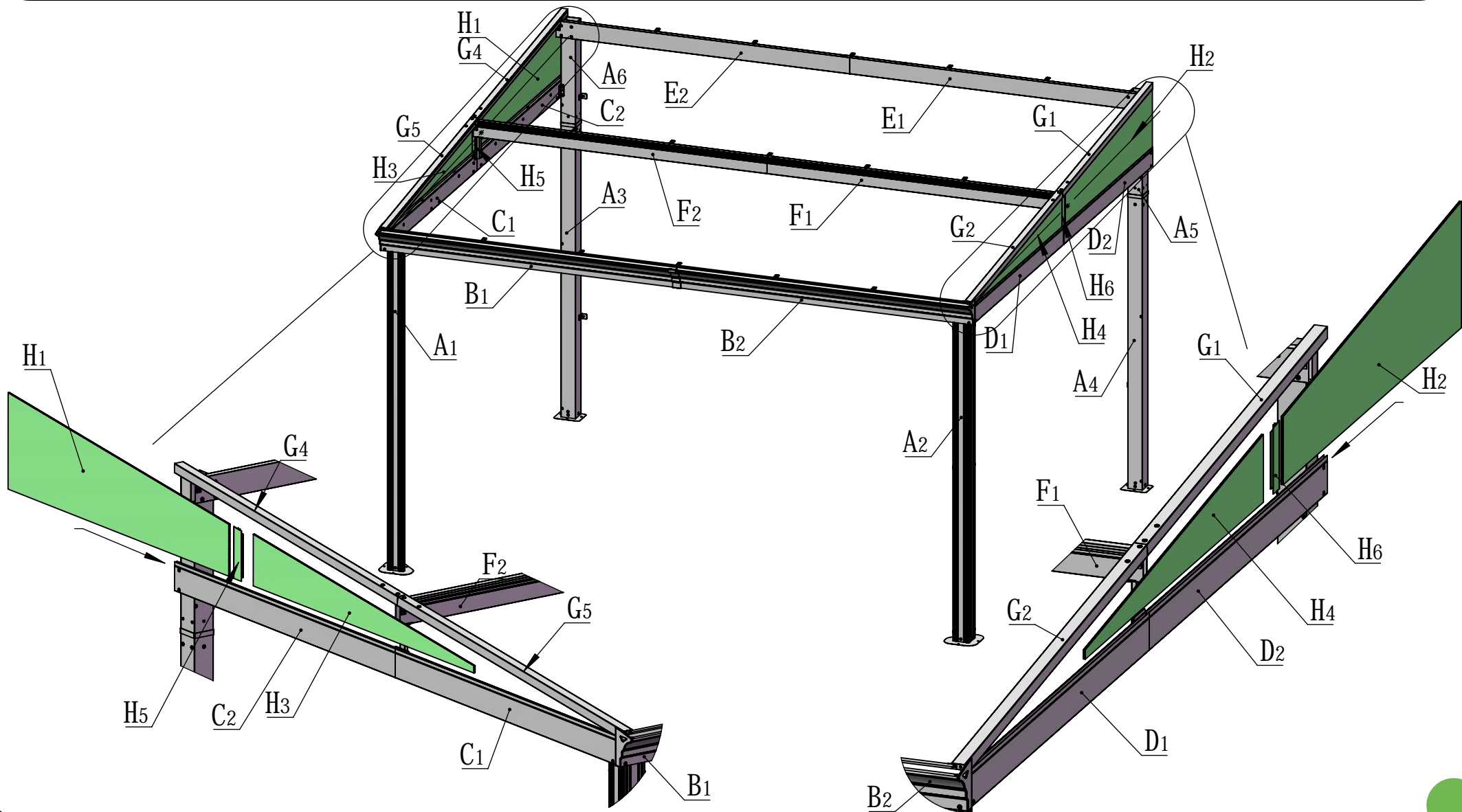
H4 1X

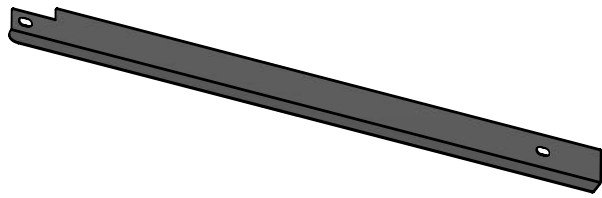


H2 1X

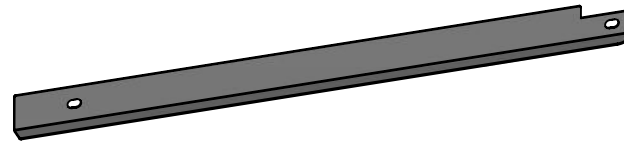


H6 1X

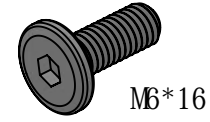




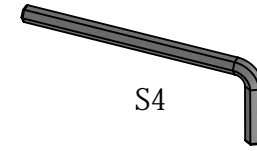
H7 1X



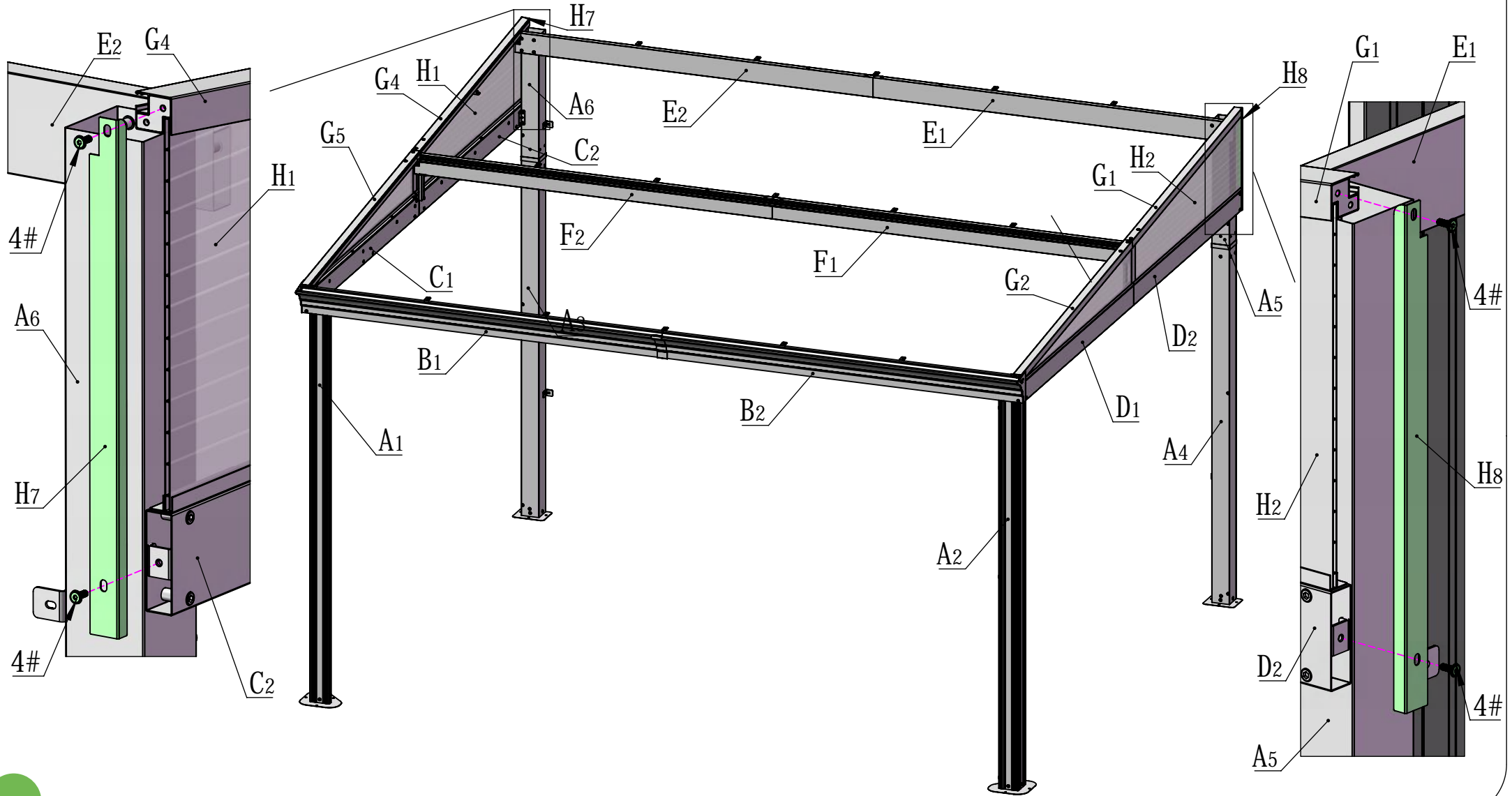
H8 1X

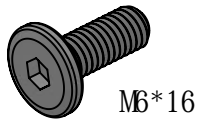


4# 4X M6*16



16# 1X S4

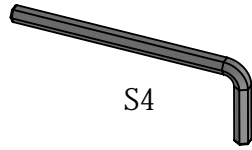




M6*16

4#

15X

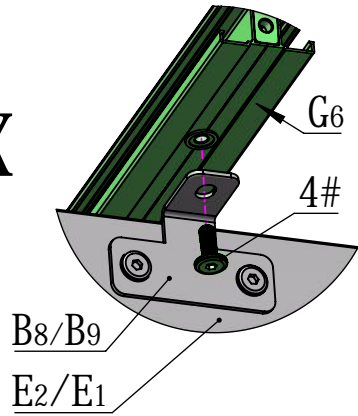


S4

16#

1X

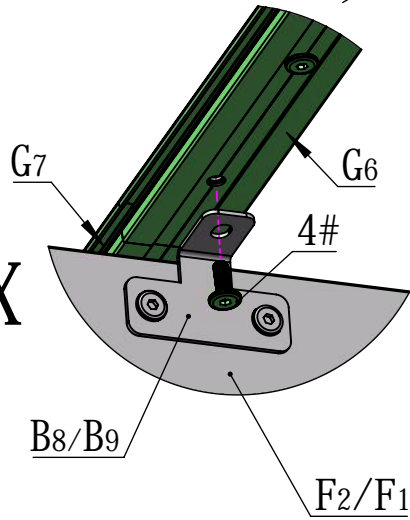
5X



B8/B9

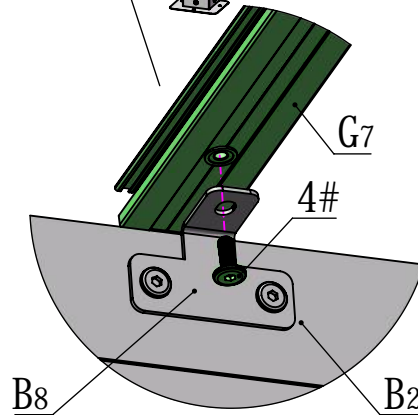
E2/E1

5X



B8/B9

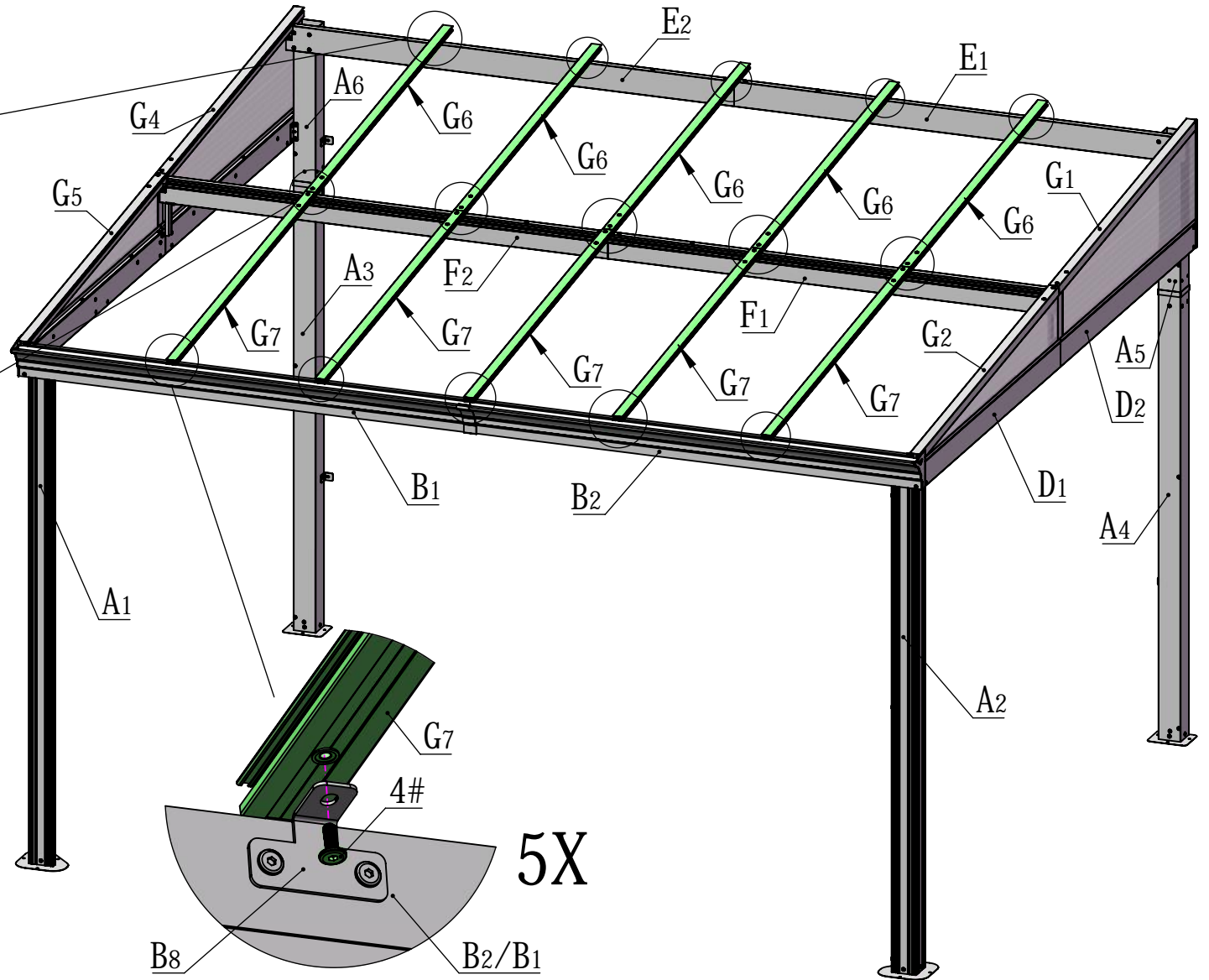
F2/F1

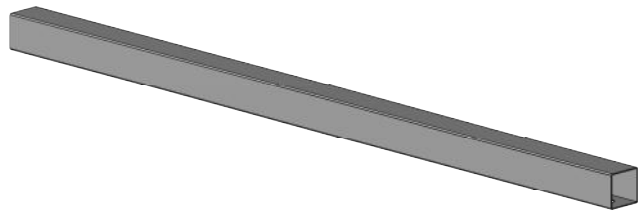


B8

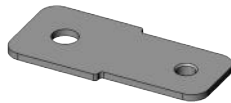
B2/B1

5X

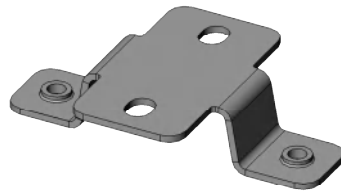




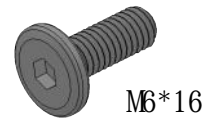
J1 2X



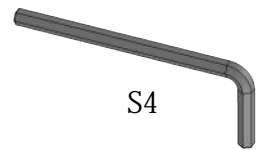
J2 2X



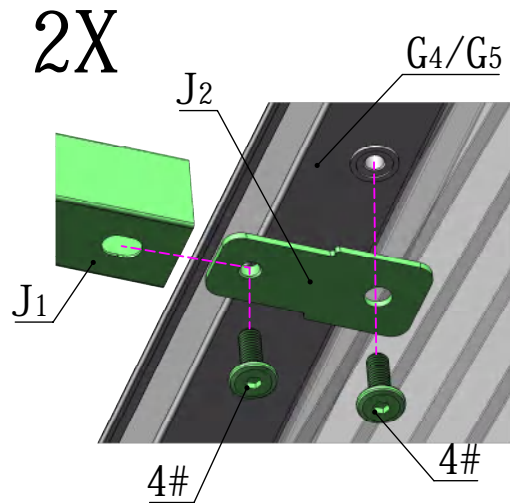
J3 2X



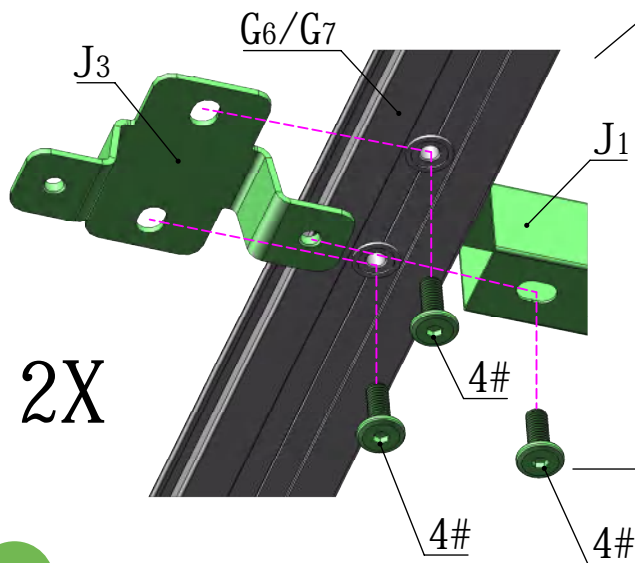
4# 10X M6*16



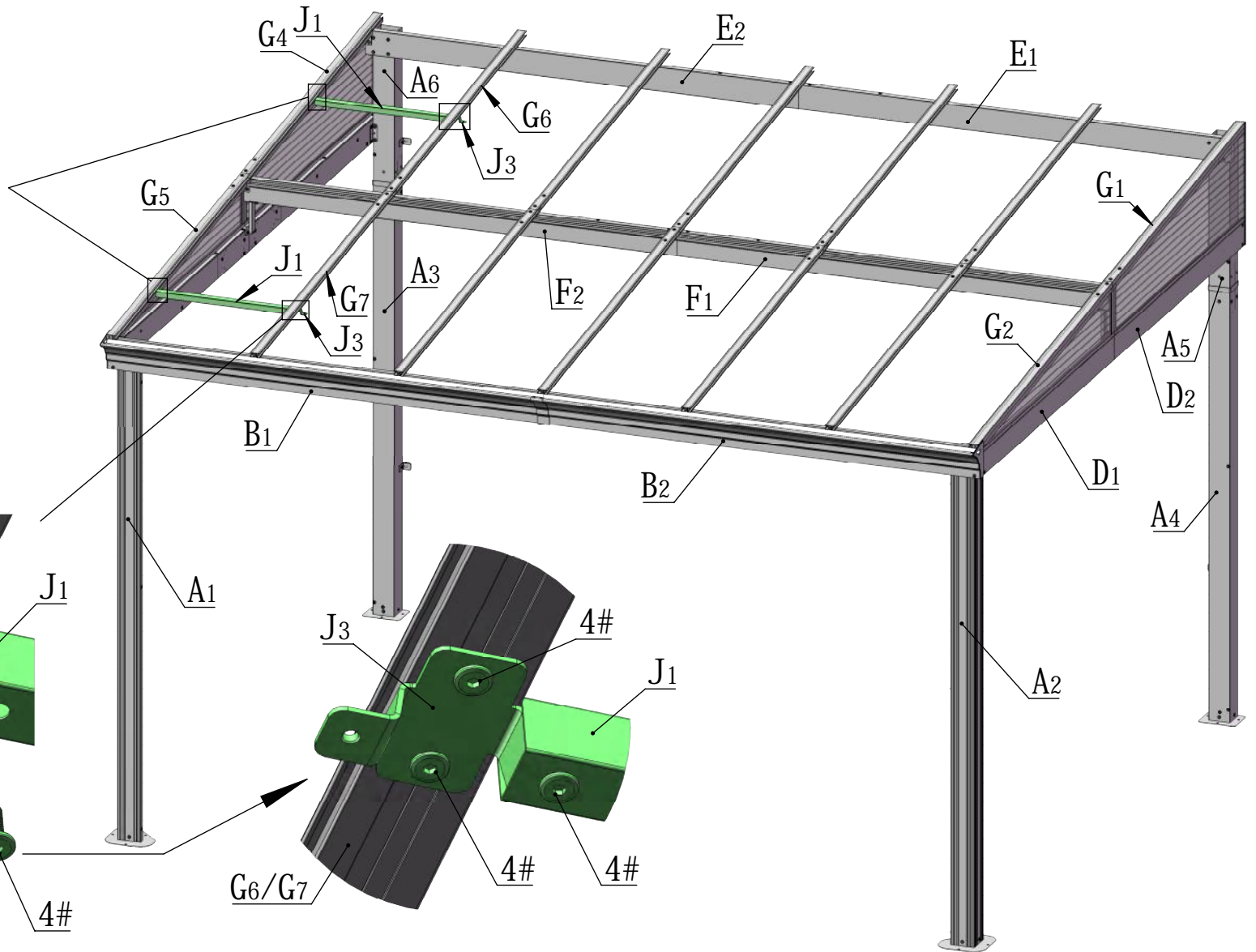
16# 1X S4



2X



2X



G4 J1

E2

E1

A6

G6

G1

G5

J1

A3

F2

F1

G2

A5

D2

B1

B2

D1

A4

A1

J3

4#

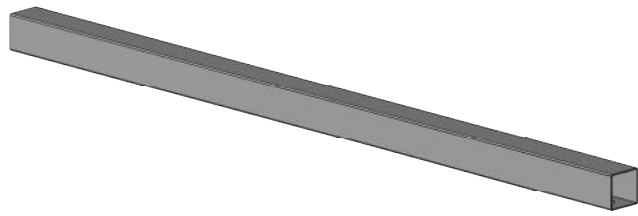
J1

A2

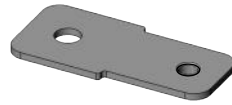
4#

4#

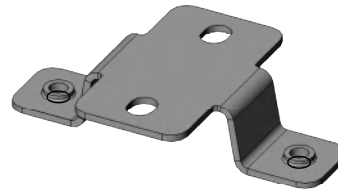
G6/G7



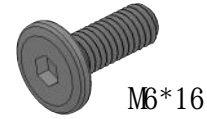
J1 10X



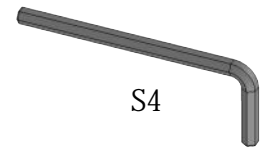
J2 2X



J3 8X

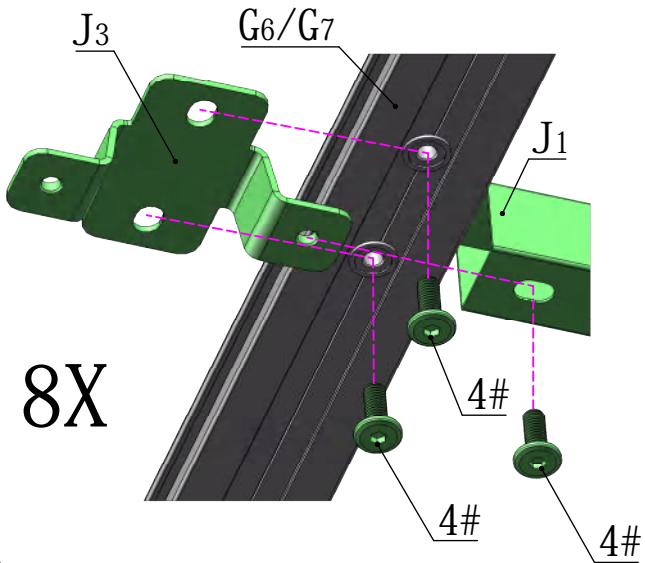
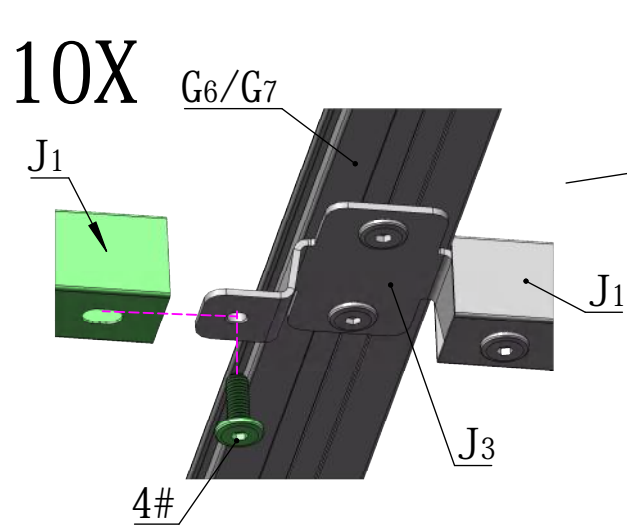


4# 38X

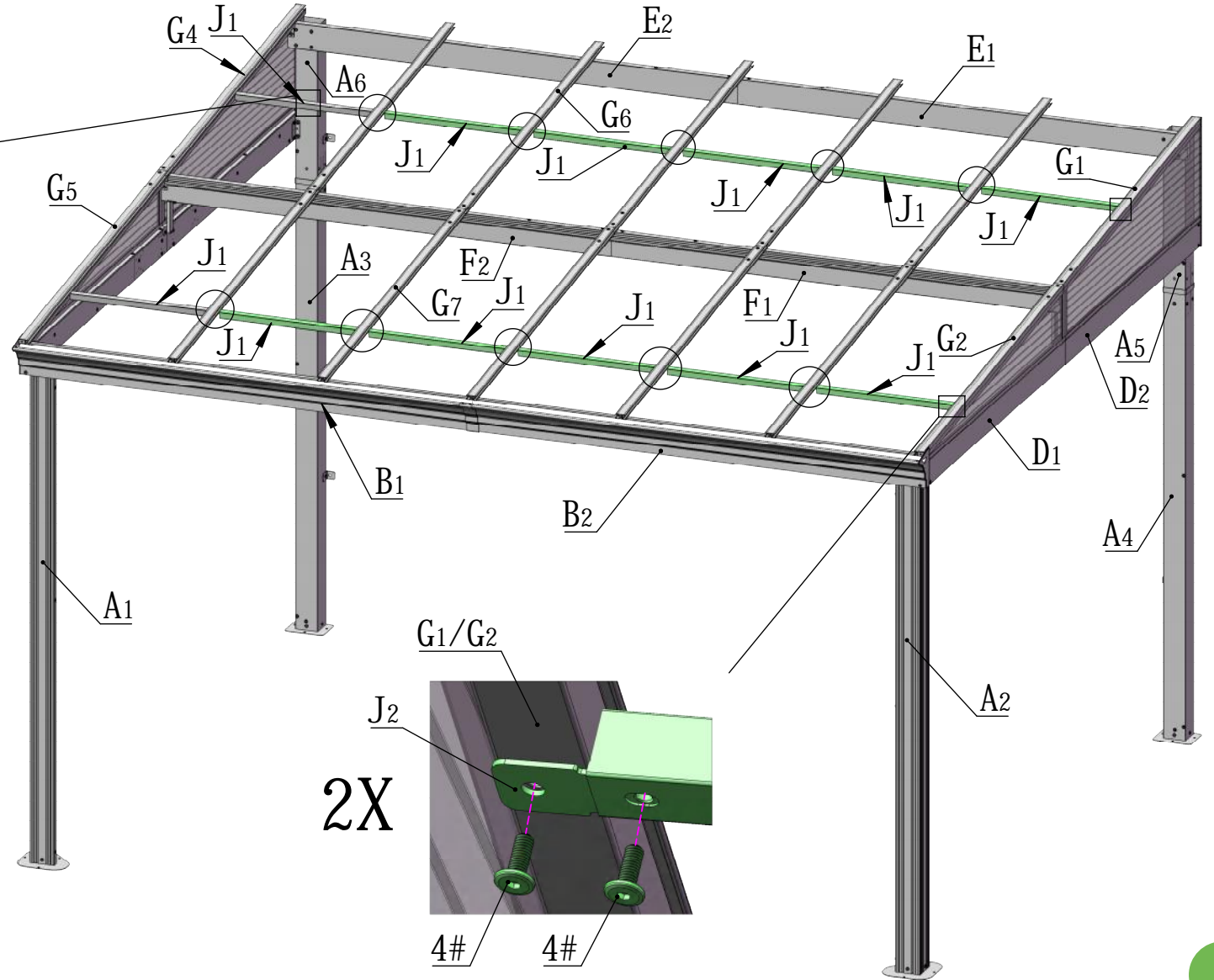


16# 1X

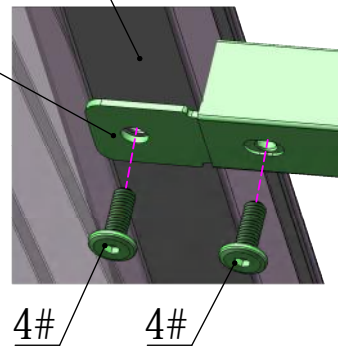
10X

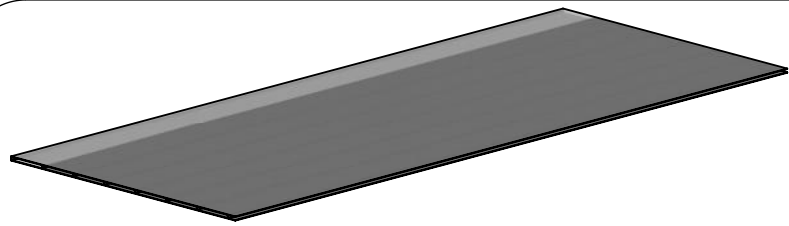


8X

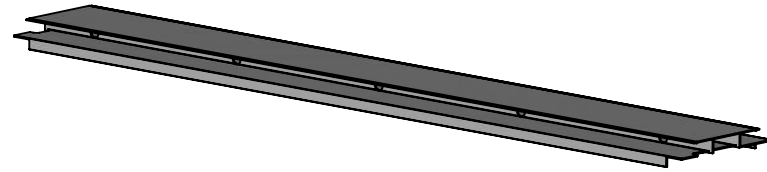


2X

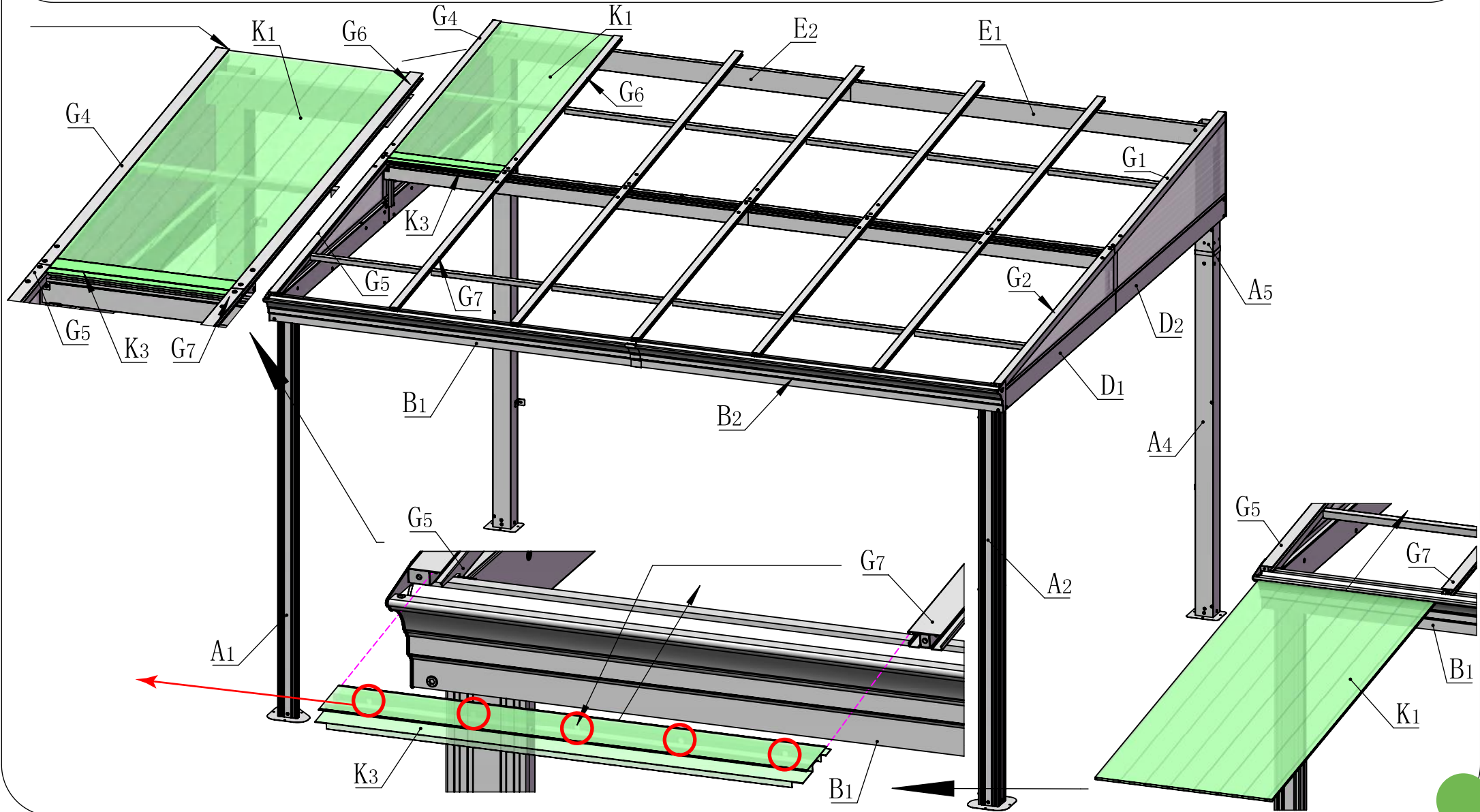


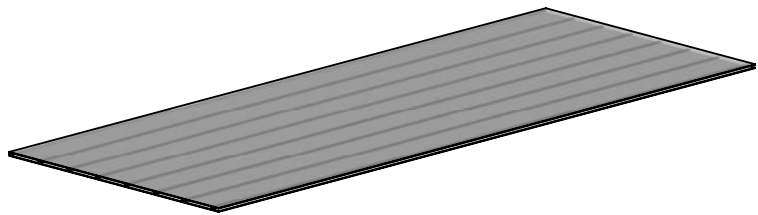


K1 1X



K3 1X

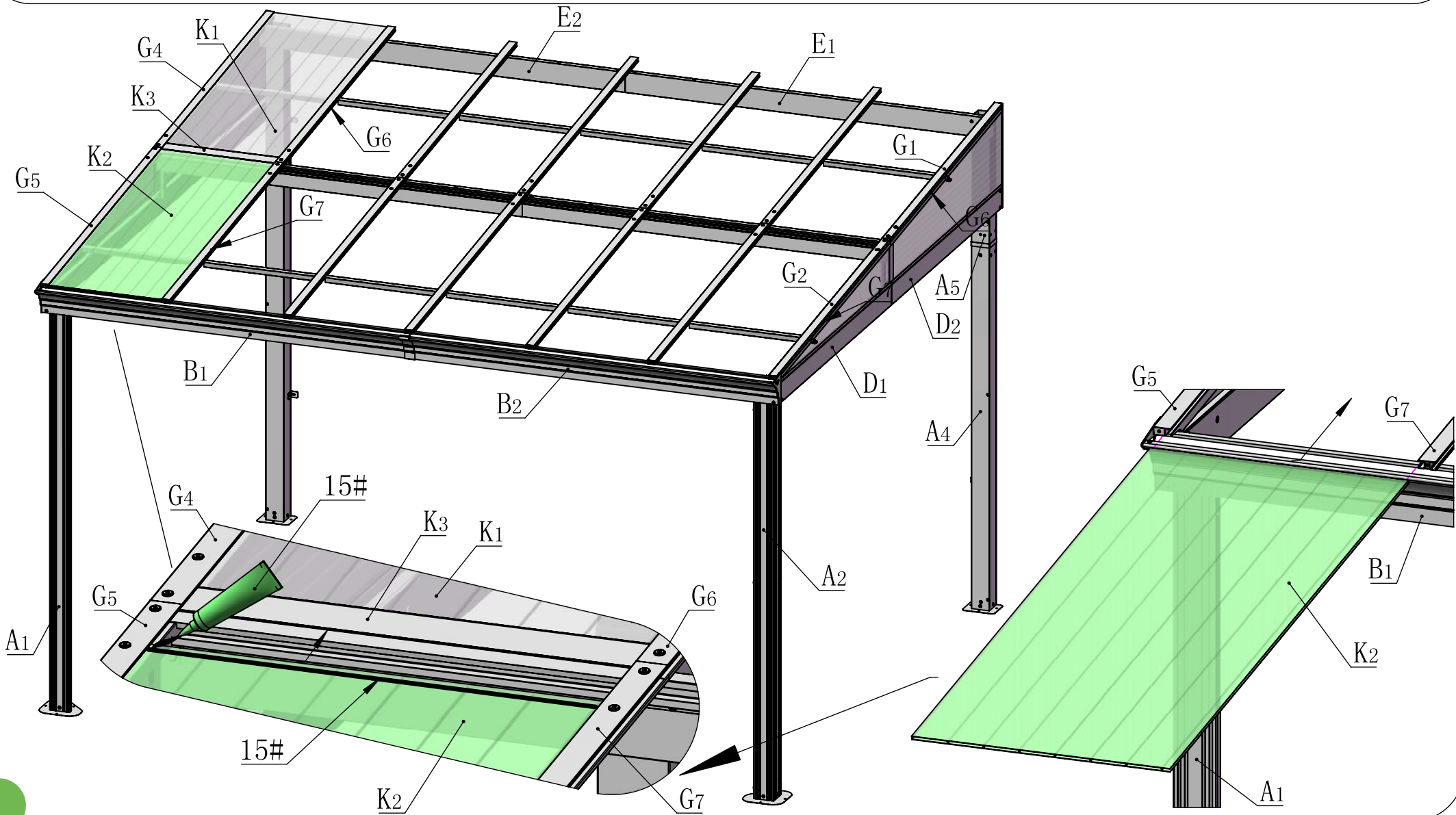


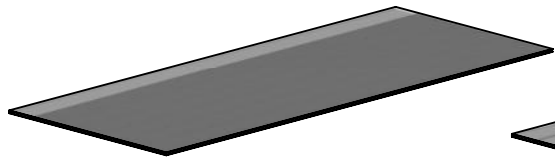


K2 1X

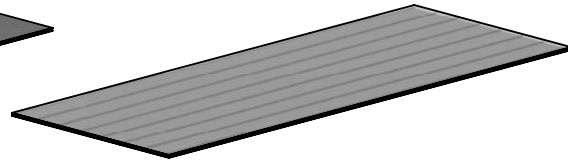


15# 1X

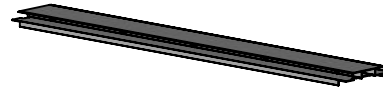




K1 5X



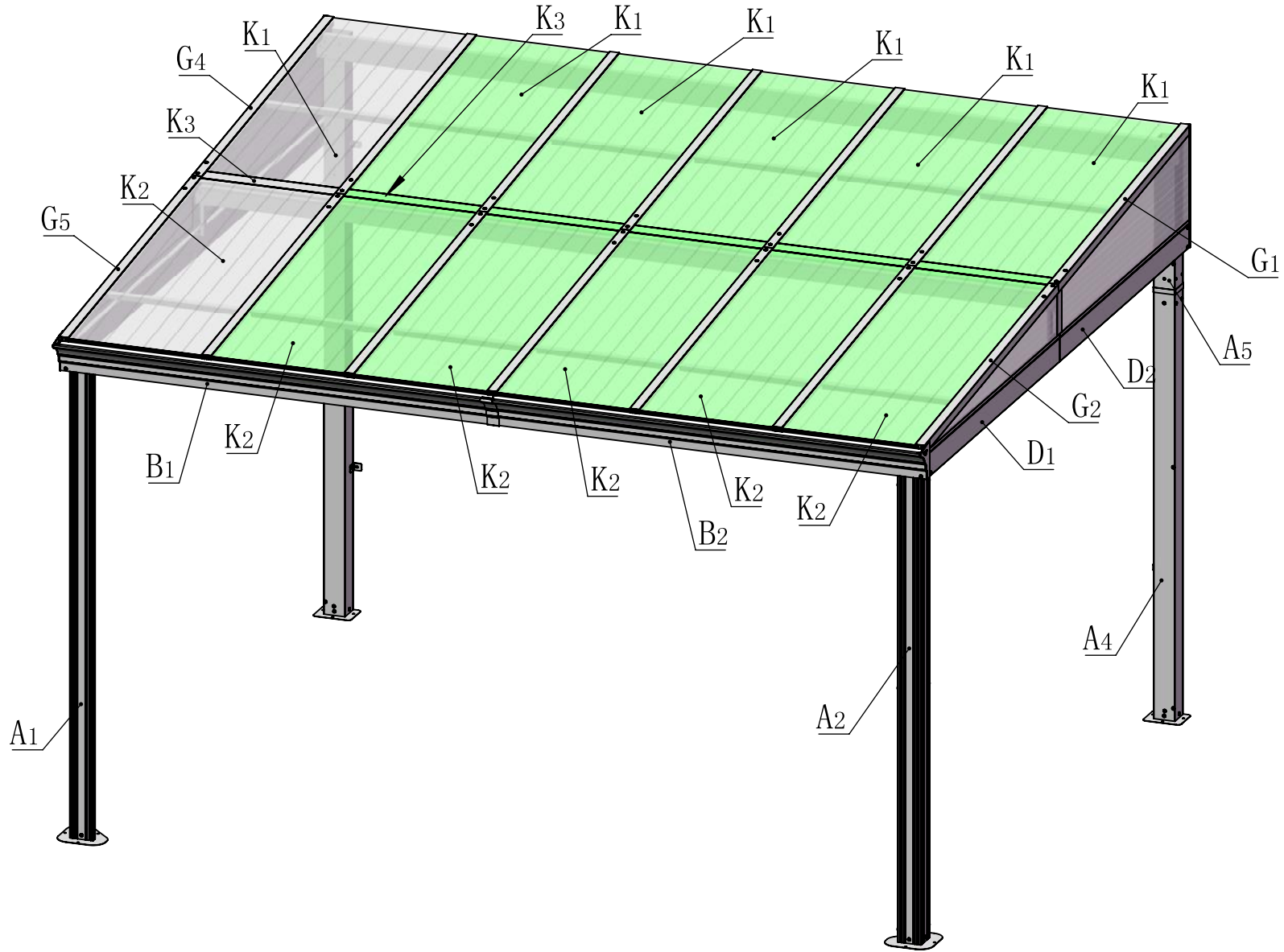
K2 5X



K3 5X

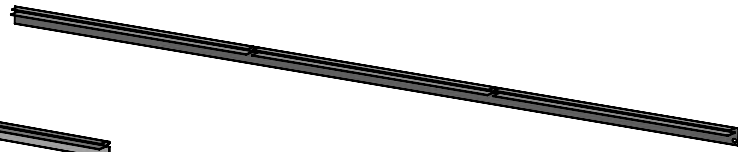


15# 1X

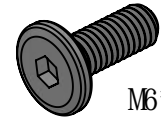




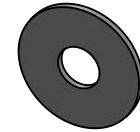
L1 1X



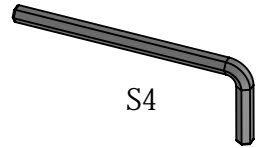
L2 1X



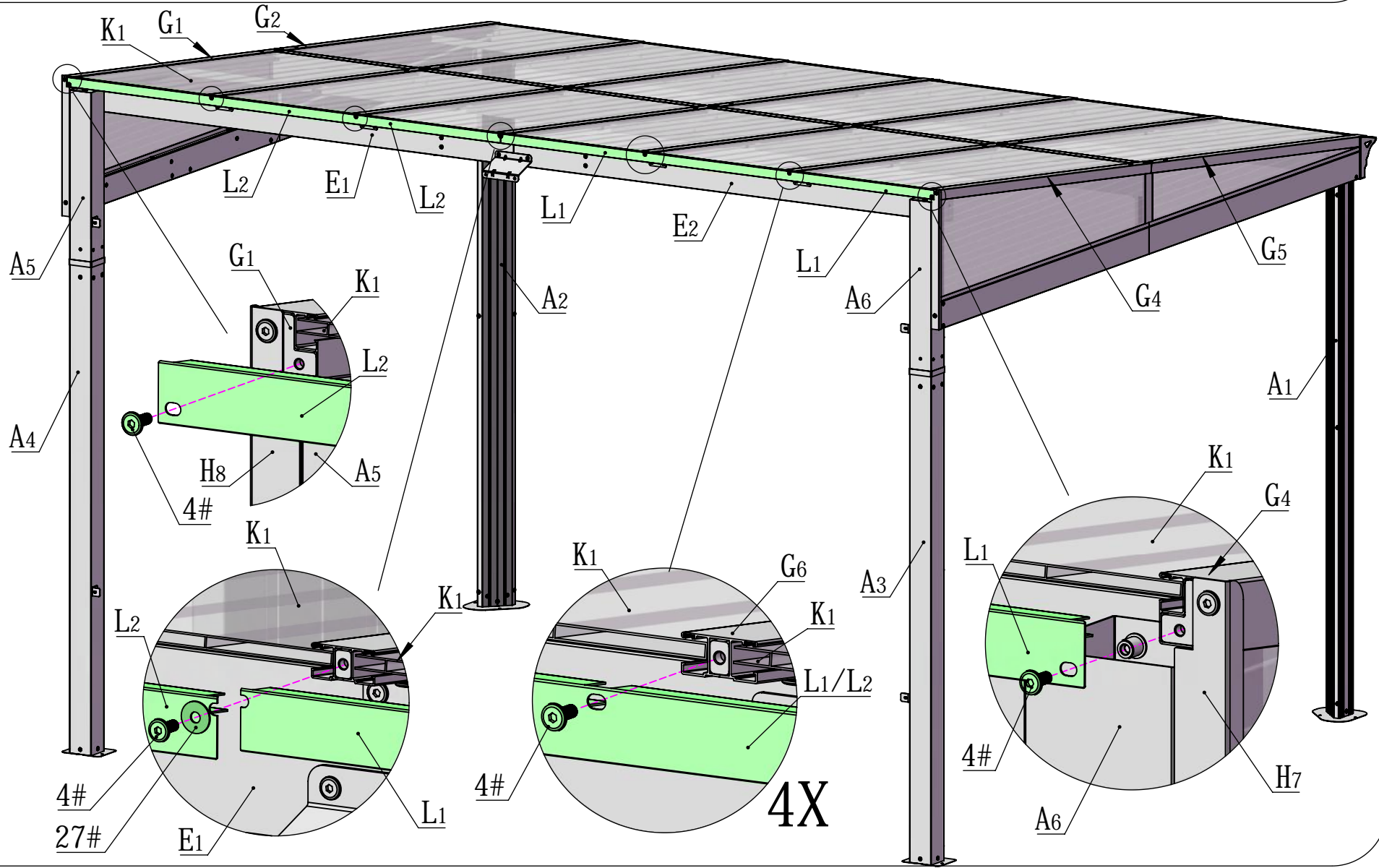
M6*16
4# 7X



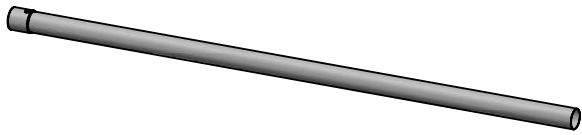
27# 1X



S4
16# 1X

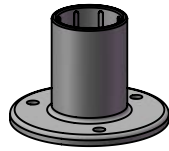


Labels in the diagram include: K1, G1, G2, L2, E1, L2, L1, E2, L1, A5, G1, K1, L2, A4, H8, 4#, K1, A5, A4, K1, L2, K1, L1, A2, A3, A6, G4, G5, A1, K1, G4, L1, A6, H7, 4#, A6, 4#, E1, L1, 4#, 27#, L1, L2, K1, G6, K1, L1/L2, 4#, 4X.



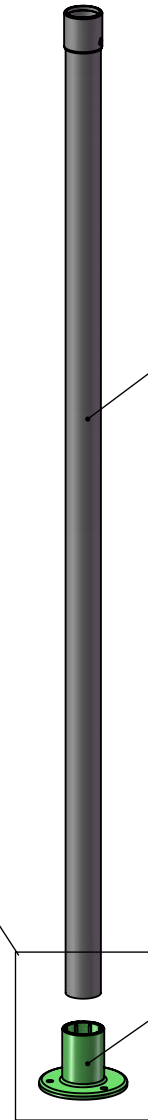
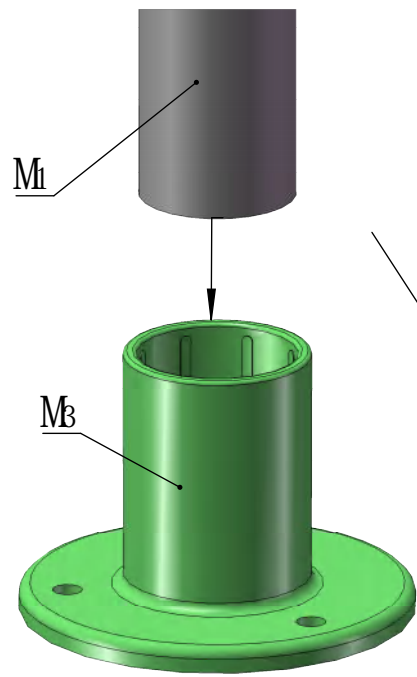
M1

1X

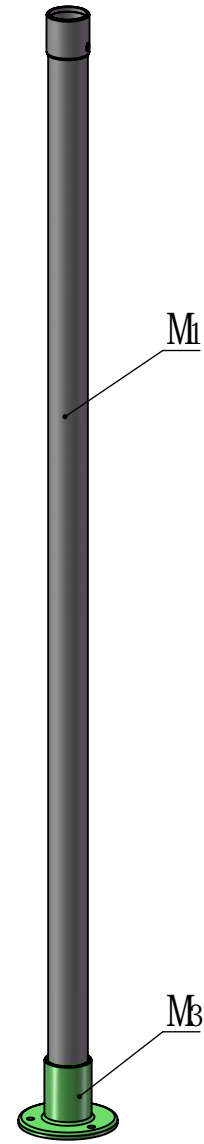


M3

1X



M1



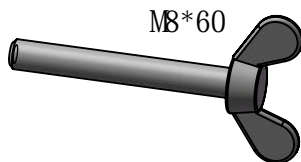
M1

M3



M₂

1X



M8*60

12#

1X



M8

13#

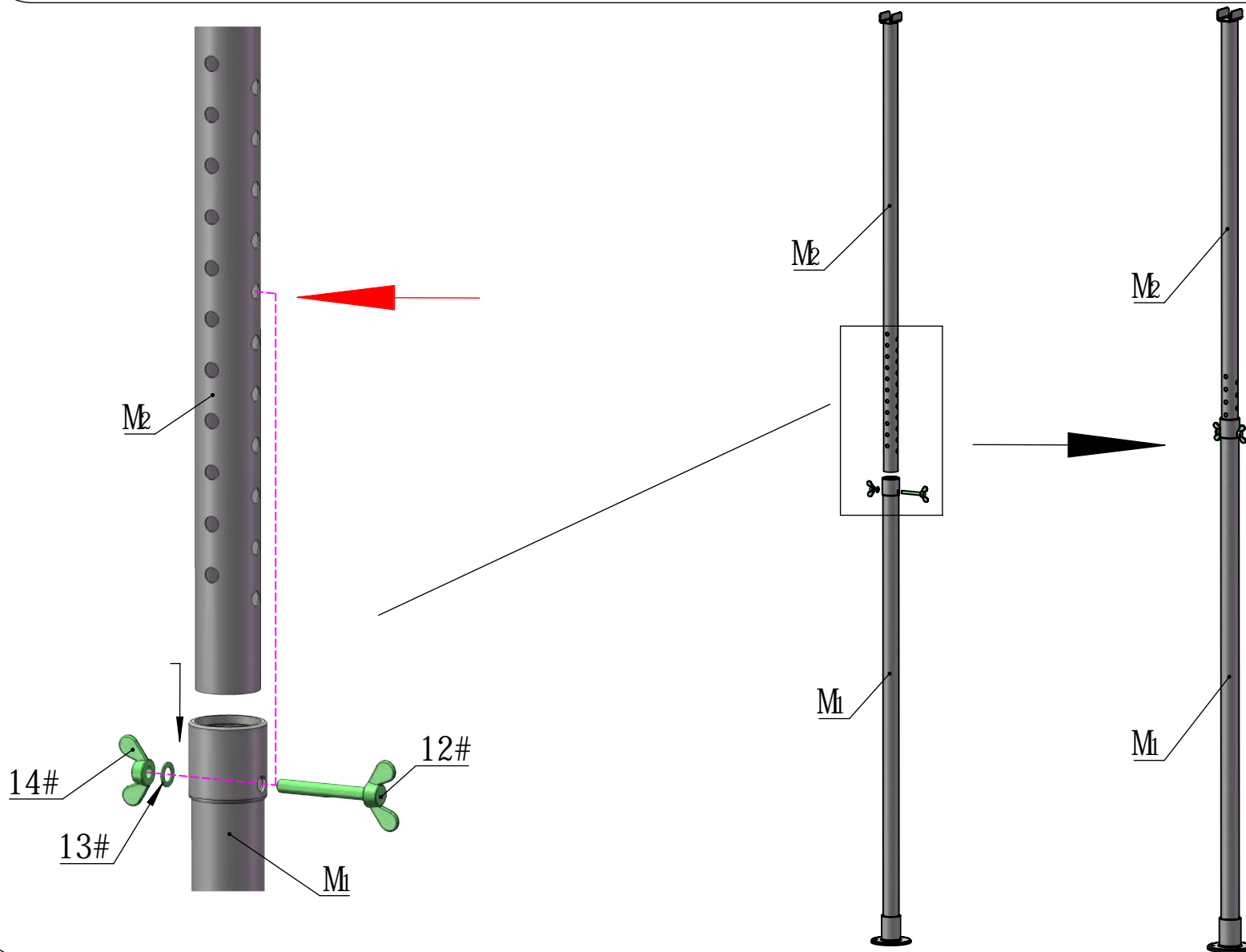
1X

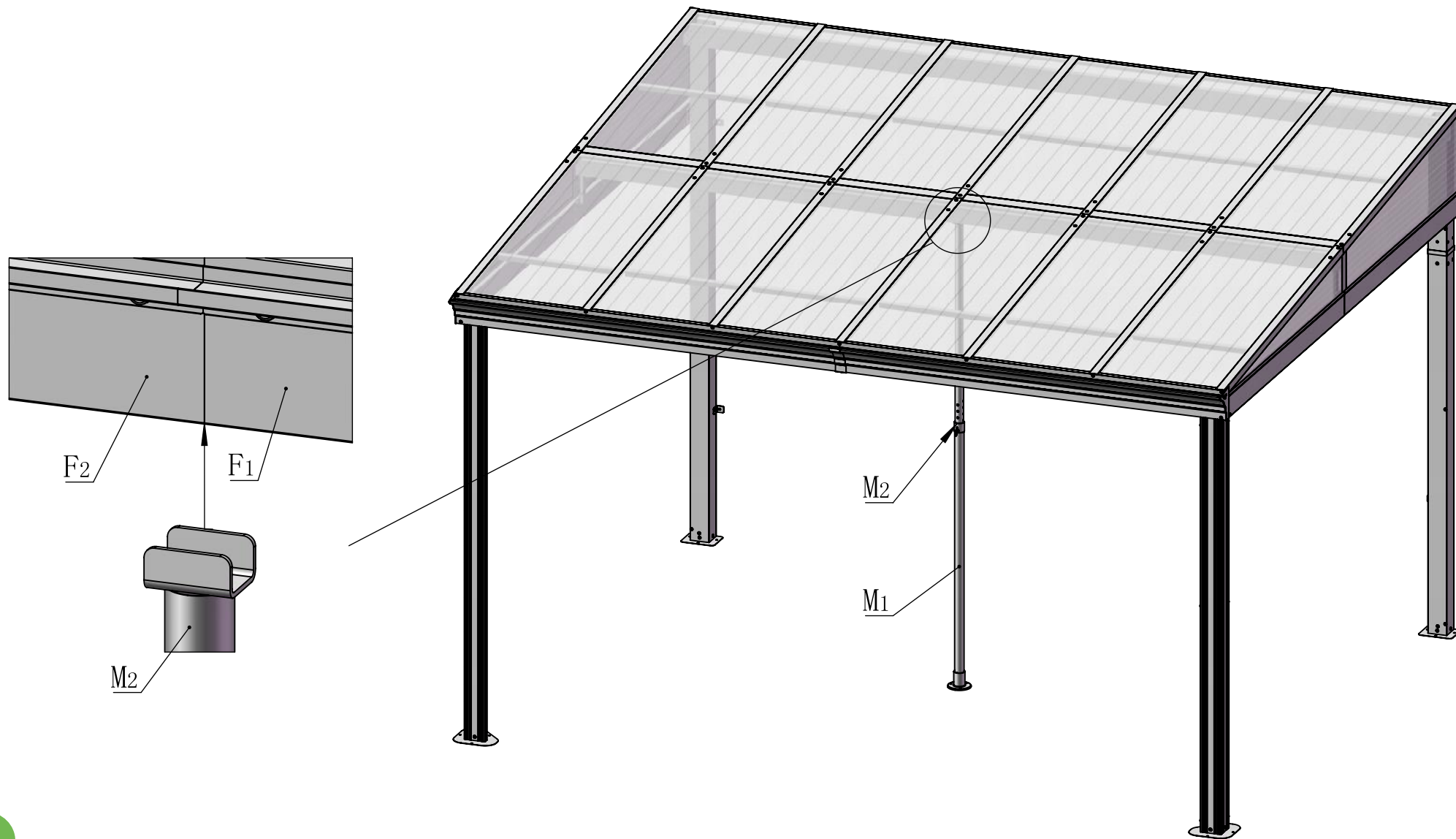


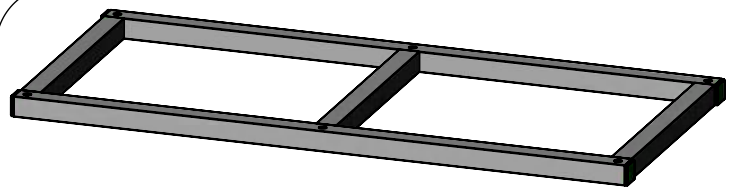
M8

14#

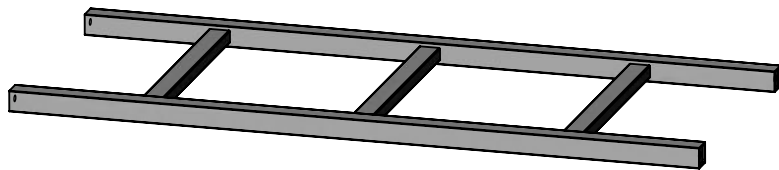
1X







N1 6X

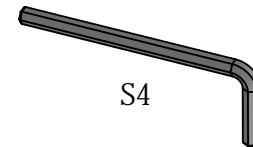


N2 3X



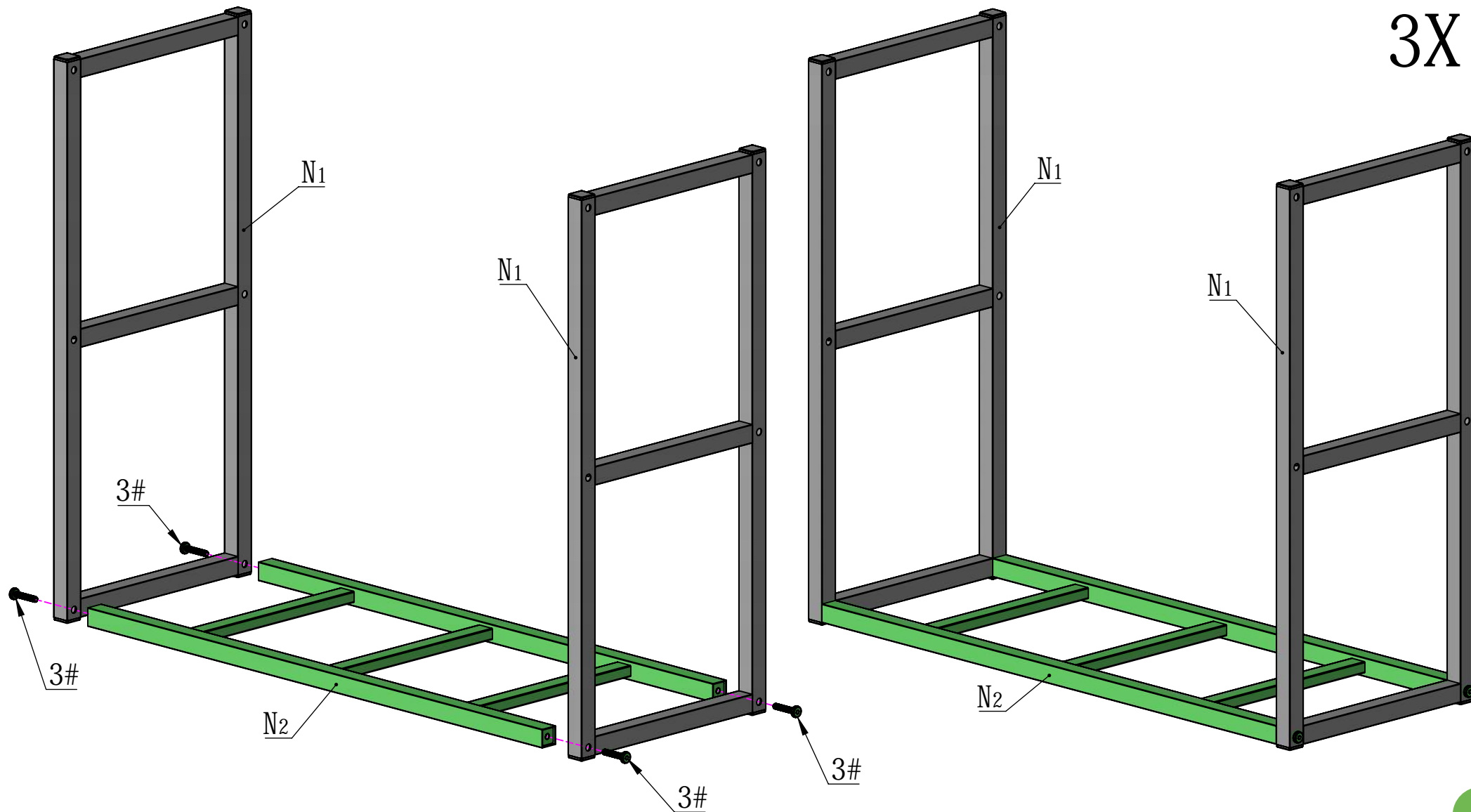
M6*30

3# 12X



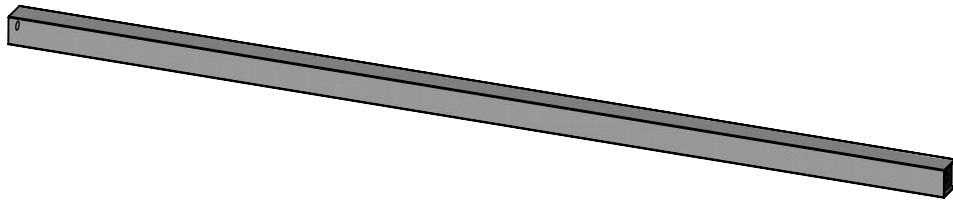
S4

16# 1X

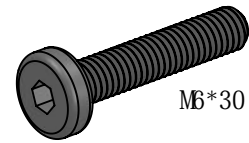


3X

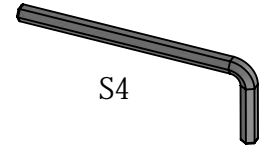




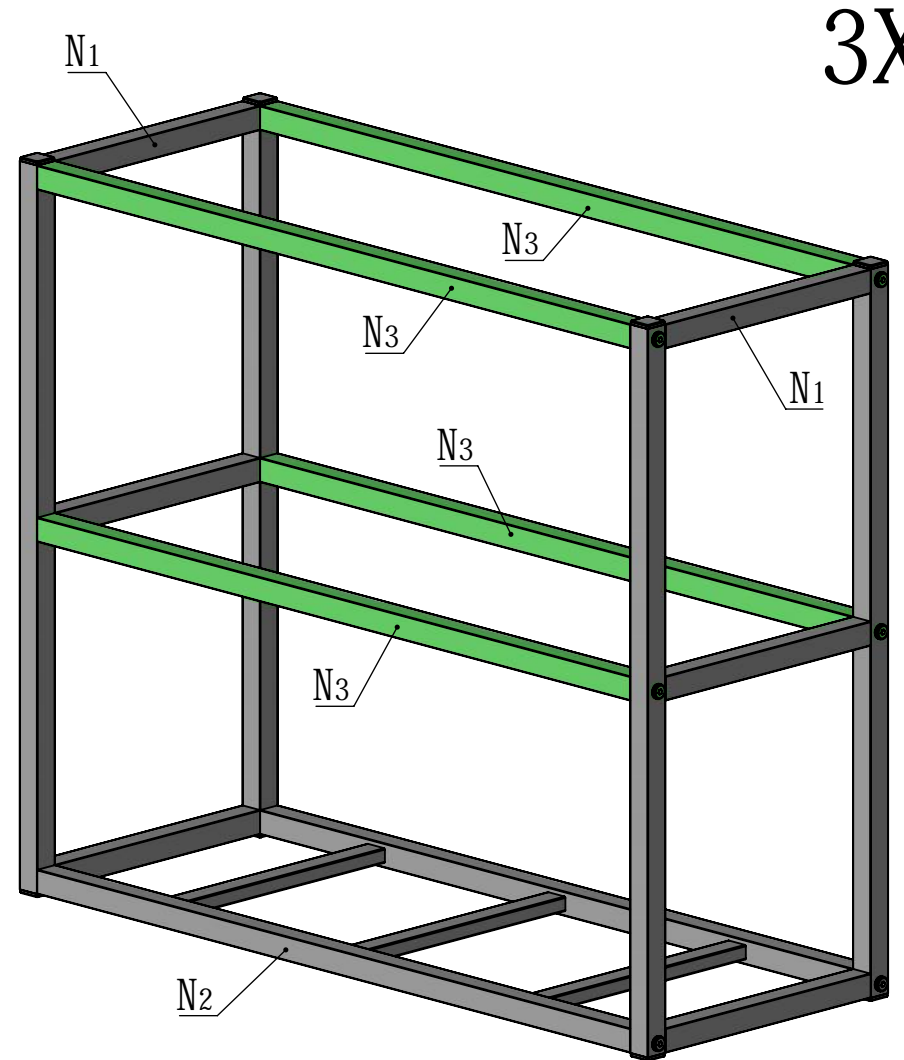
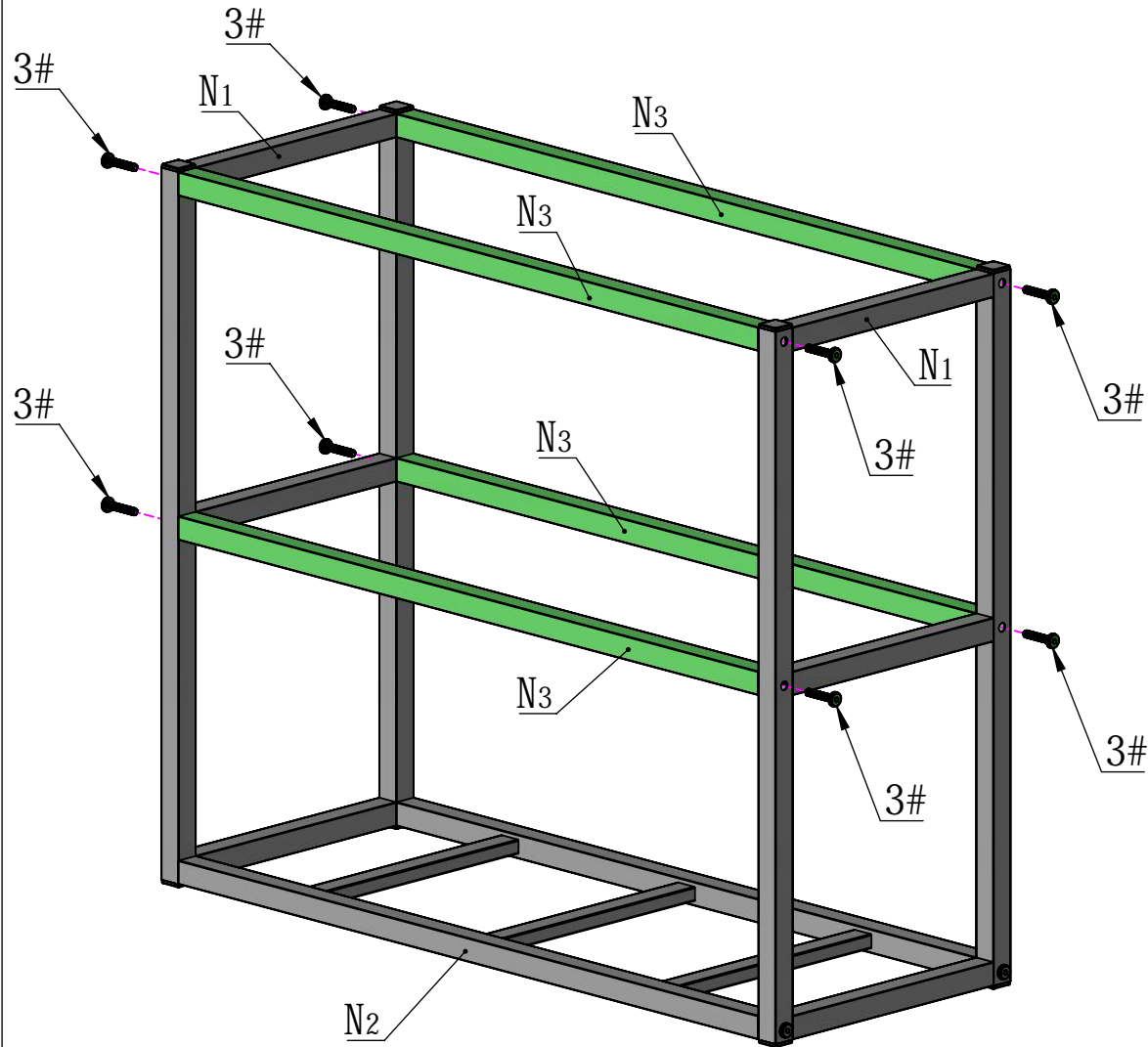
N3 12X



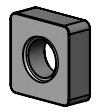
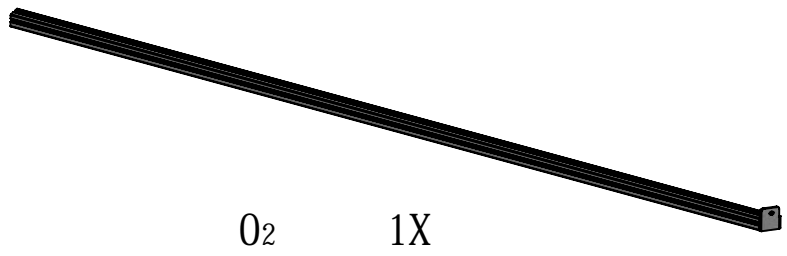
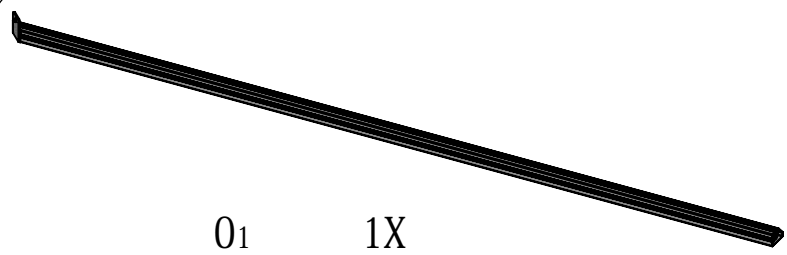
3# 24X



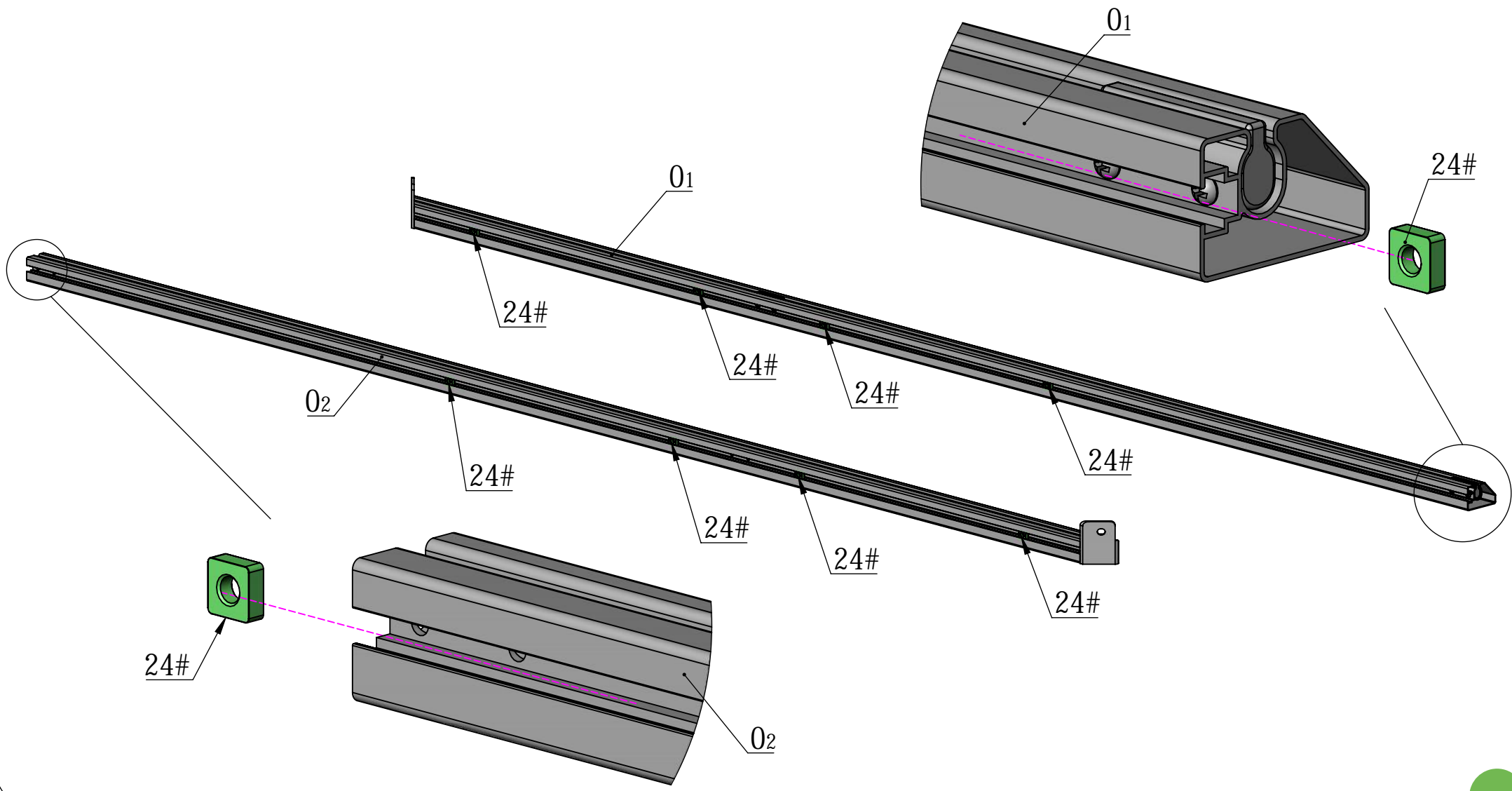
16# 1X

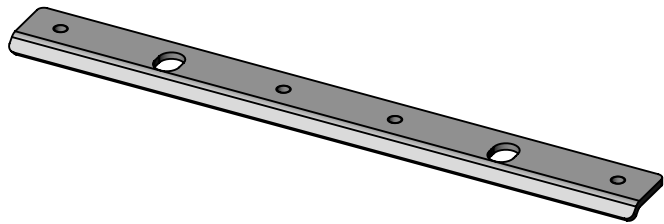


3X



24# 8X



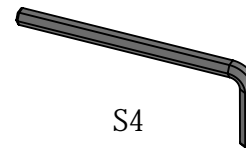


03 1X



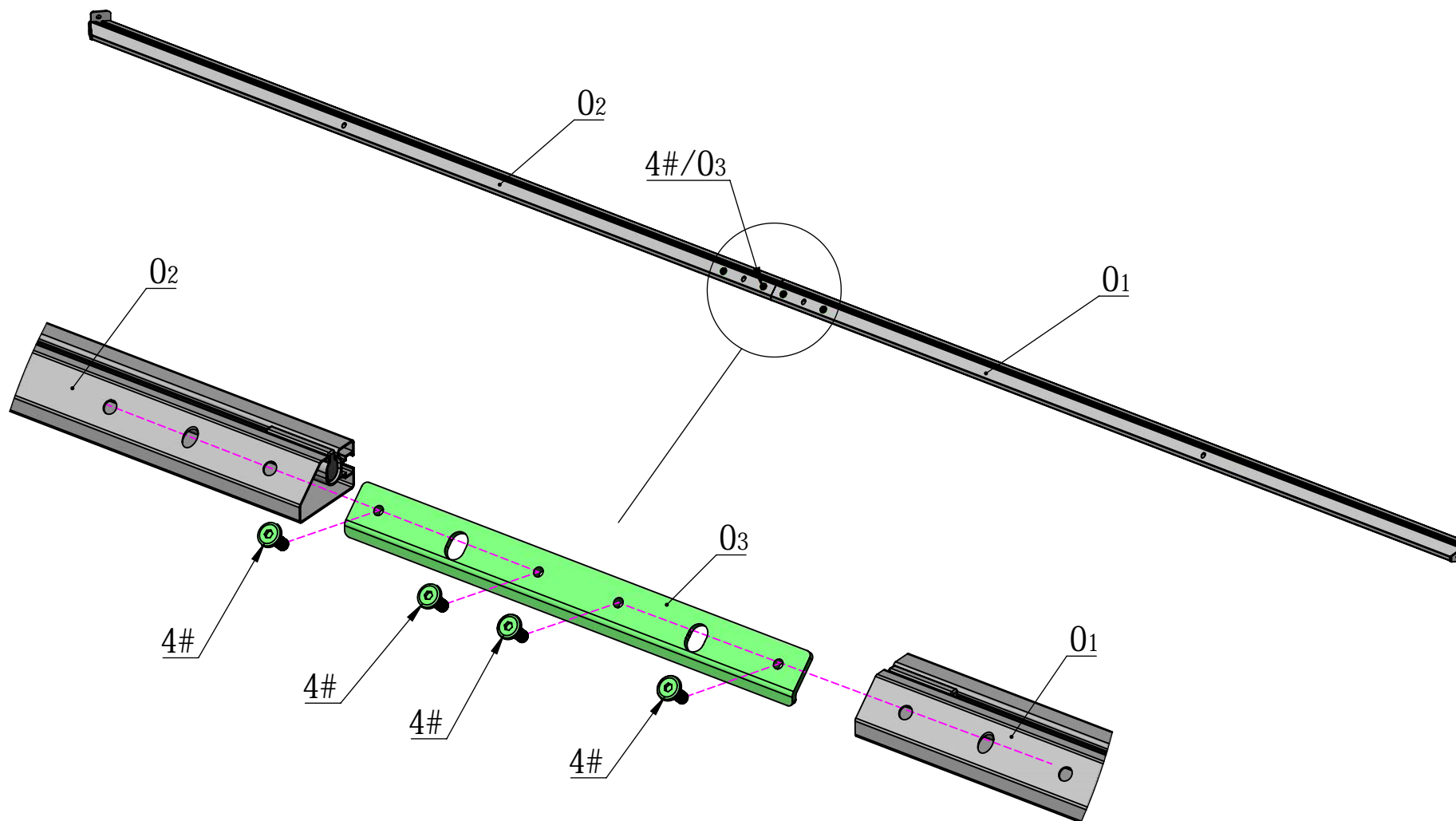
M6*16

4# 4X



S4

16# 1X

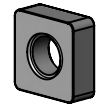




04 1X

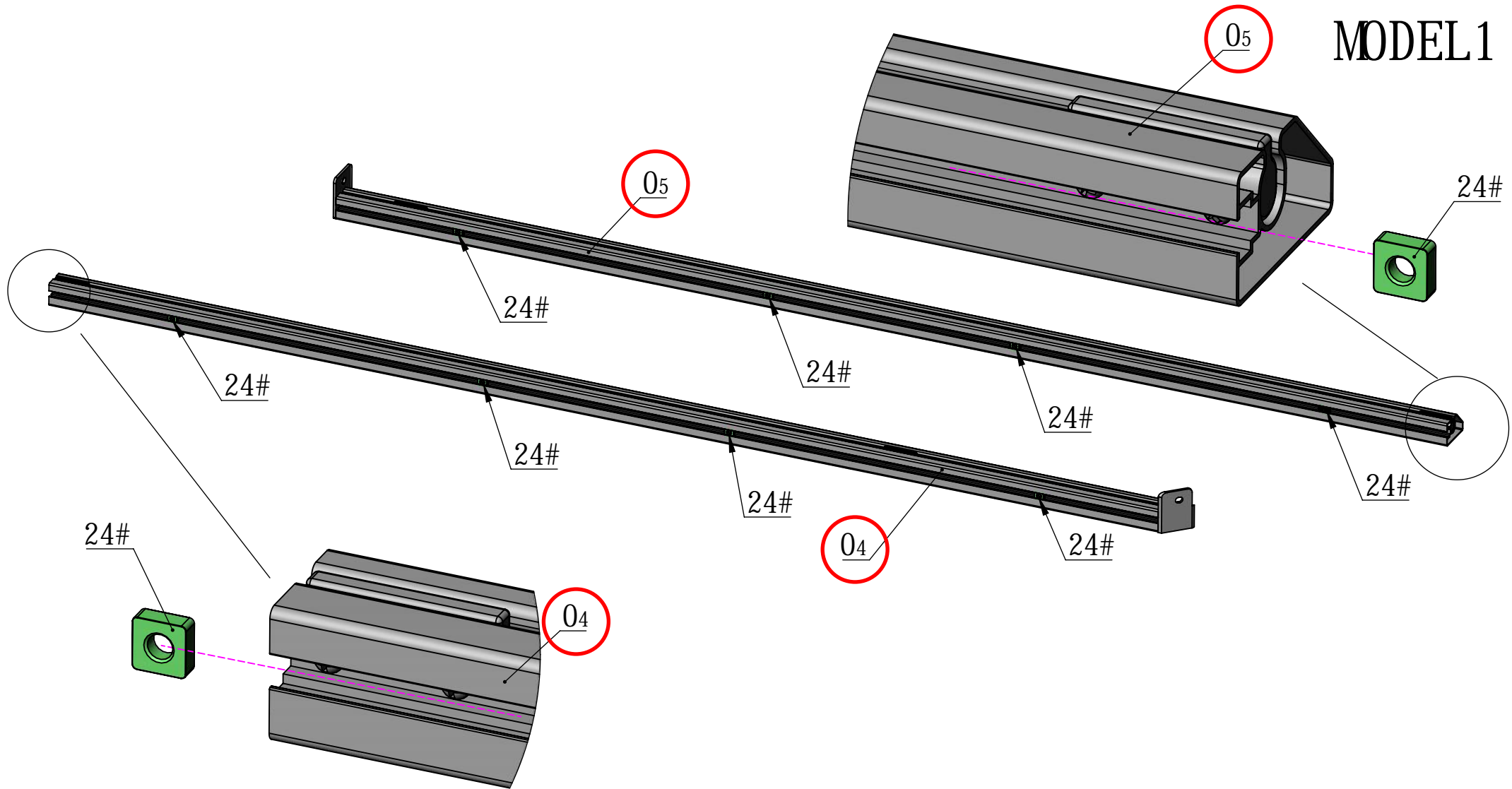


05 1X



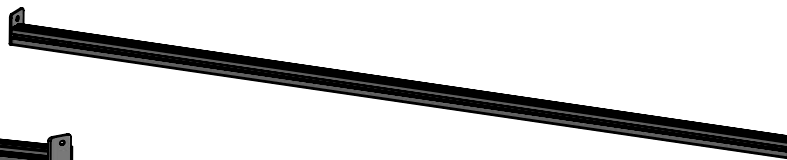
24# 8X

MODEL 1





04 1X

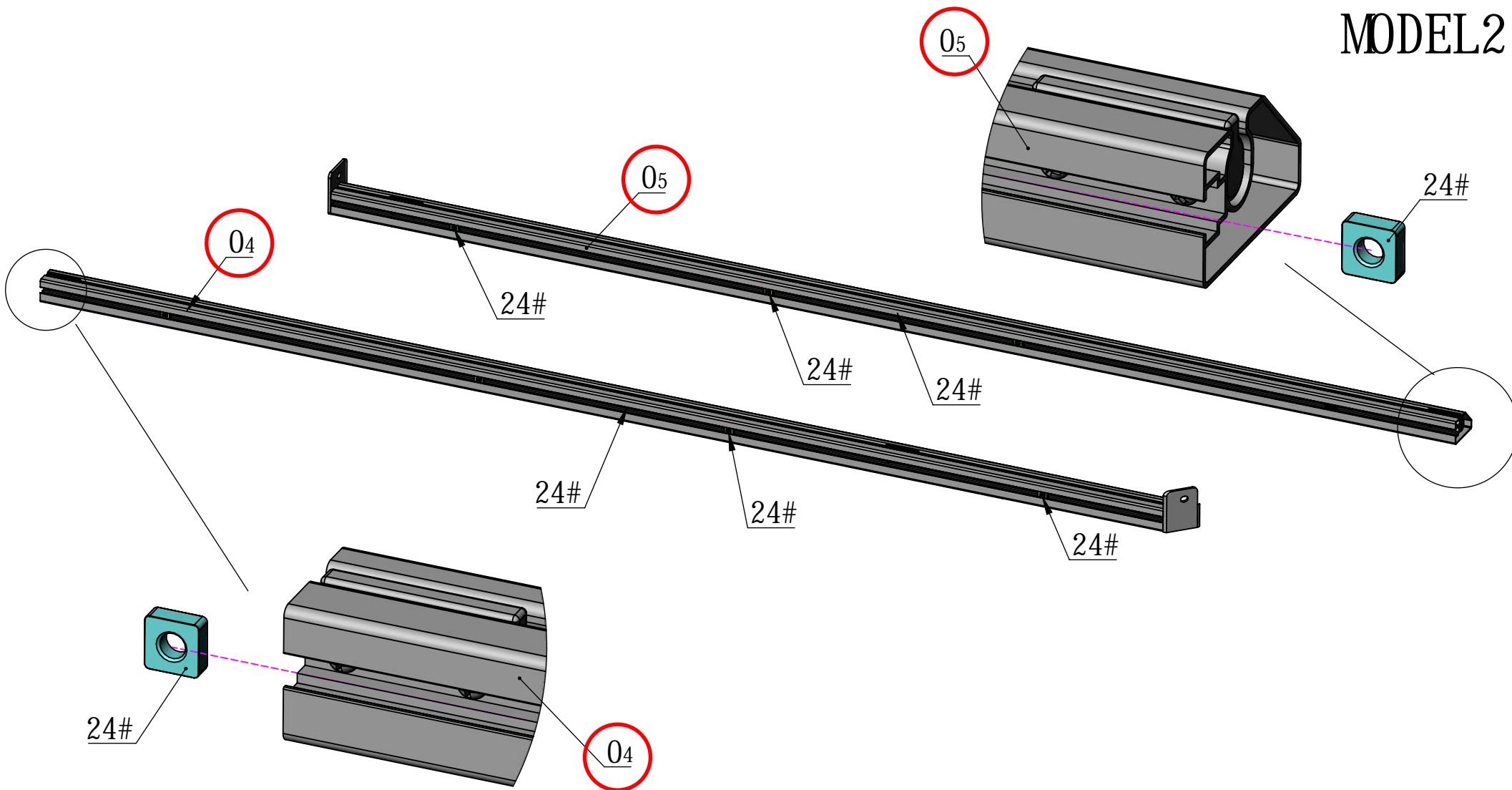


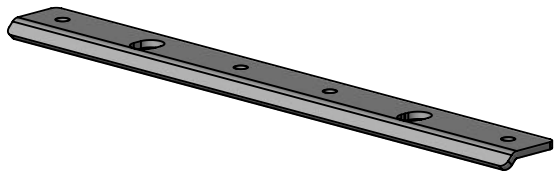
05 1X



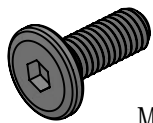
24# 6X

MODEL 2



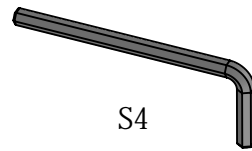


03 1X



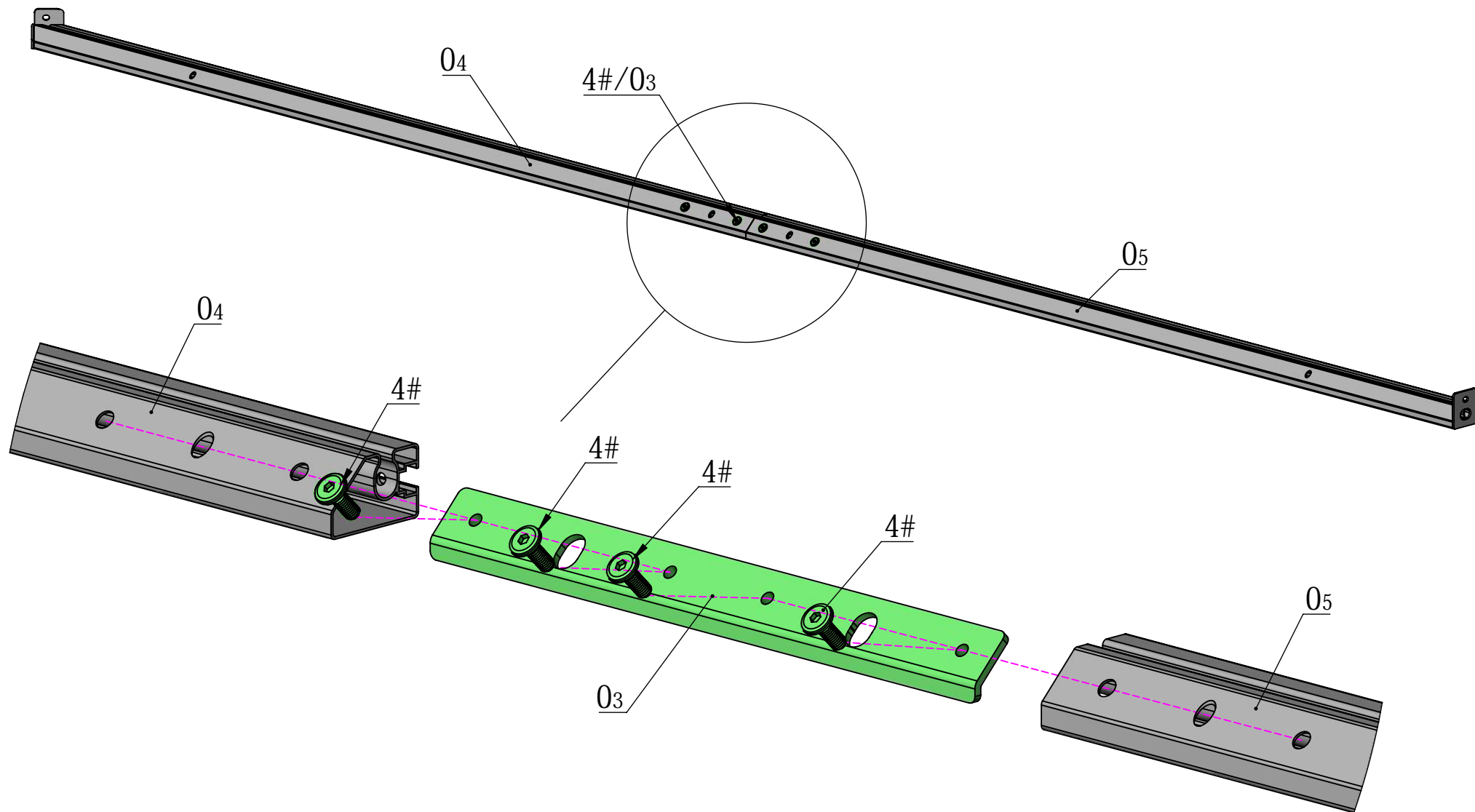
M6*16

4# 4X



S4

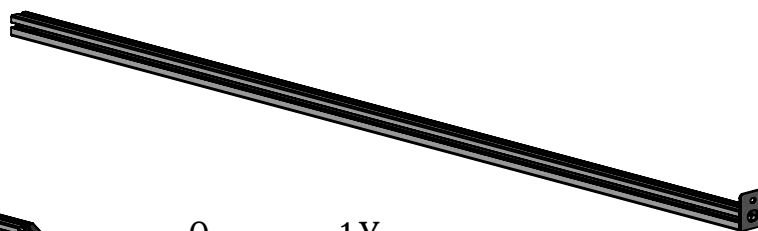
16# 1X





06

1X



07

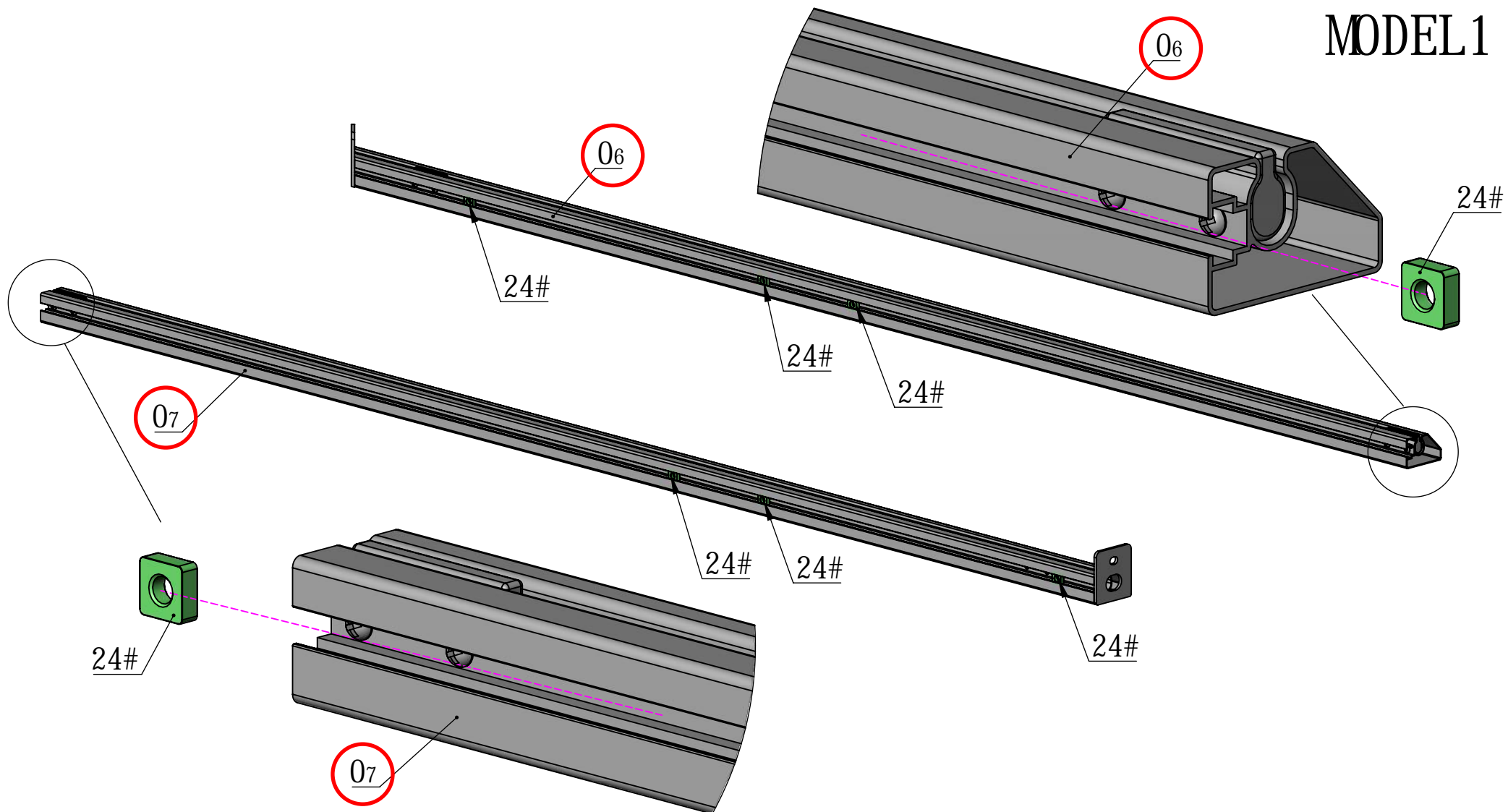
1X

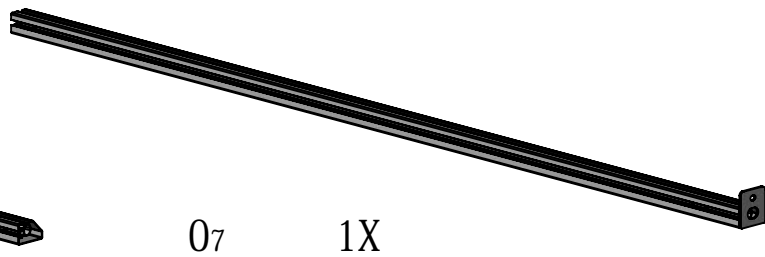
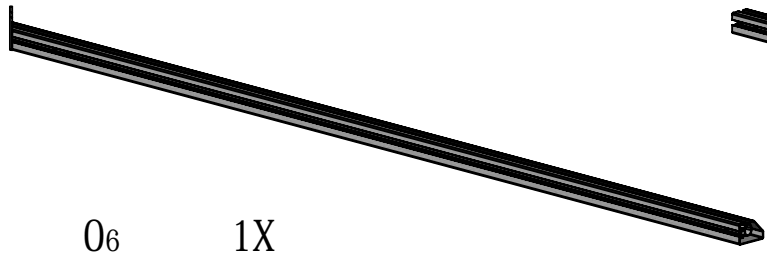


24#

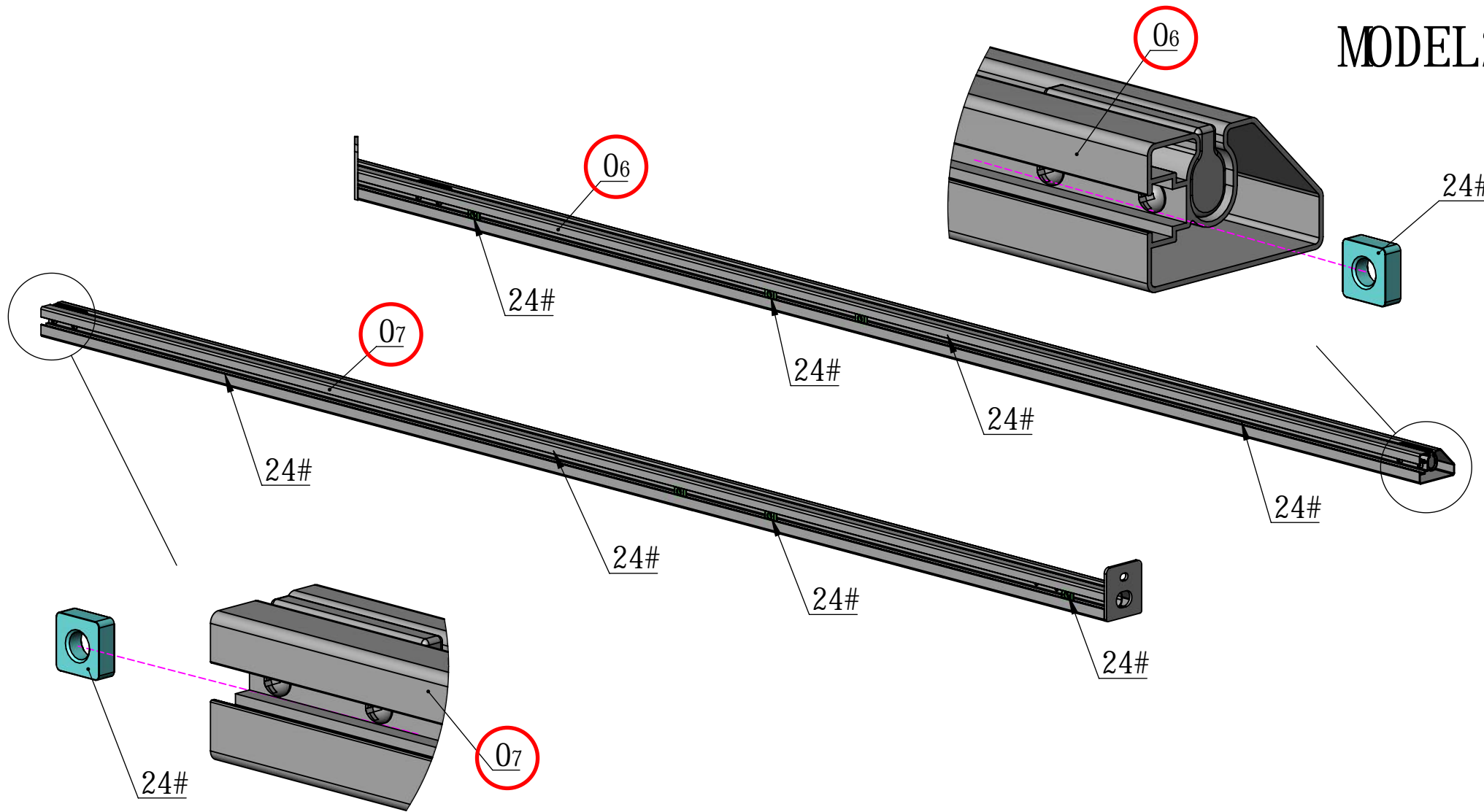
6X

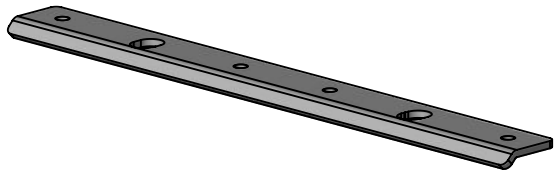
MODEL 1



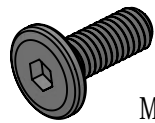


MODEL2



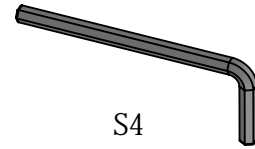


03 1X



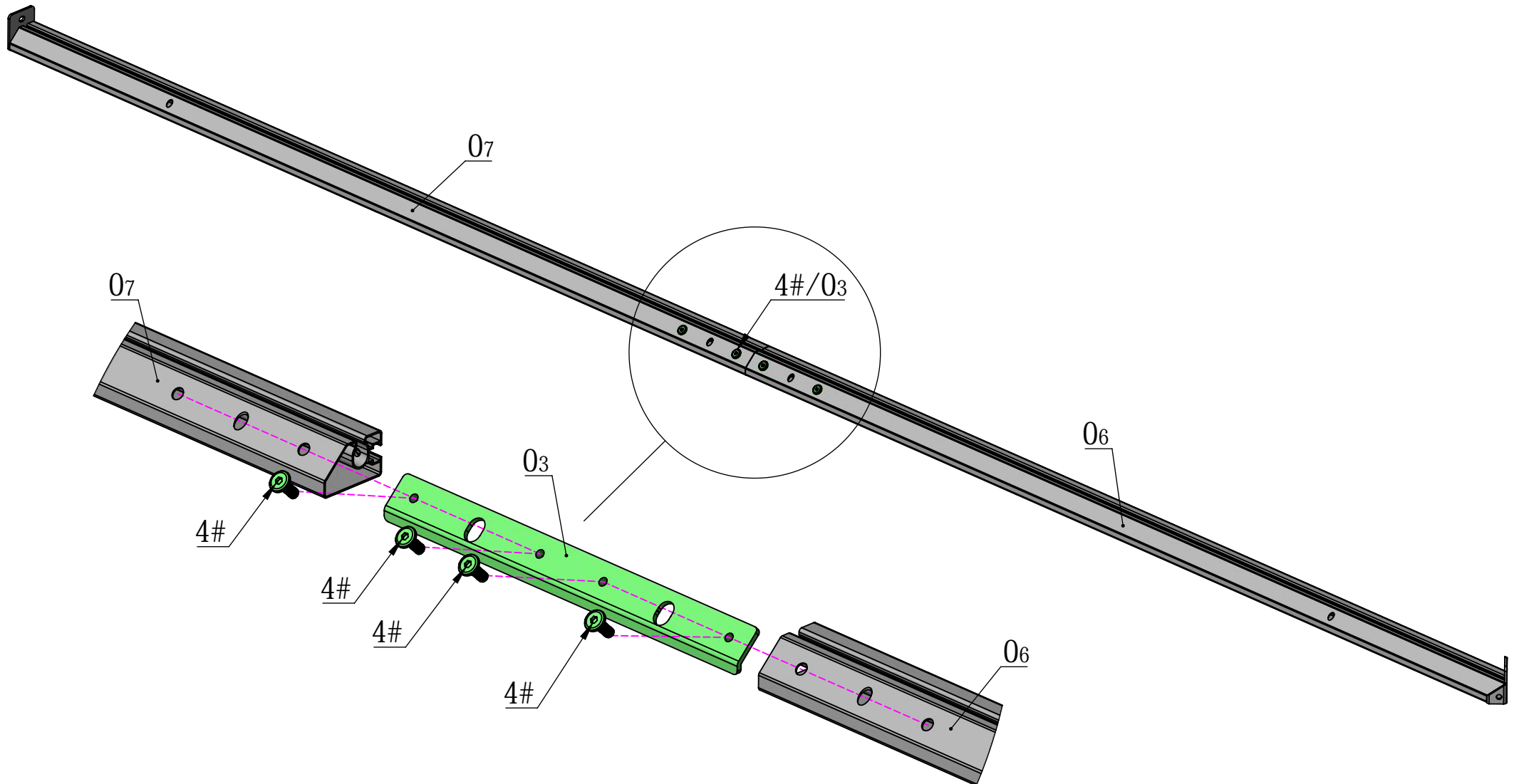
M6*16

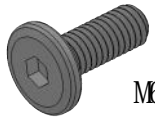
4# 4X



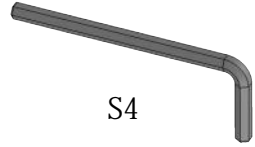
S4

16# 1X





MB*16



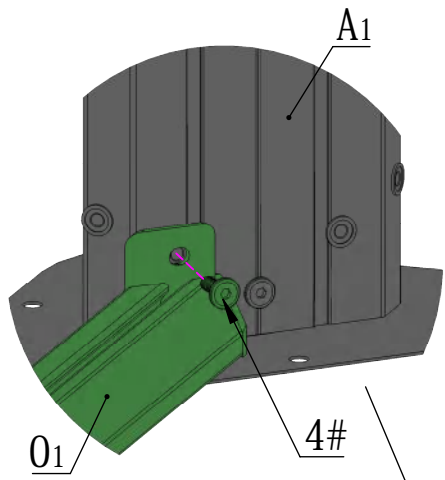
S4

4#

2X

16#

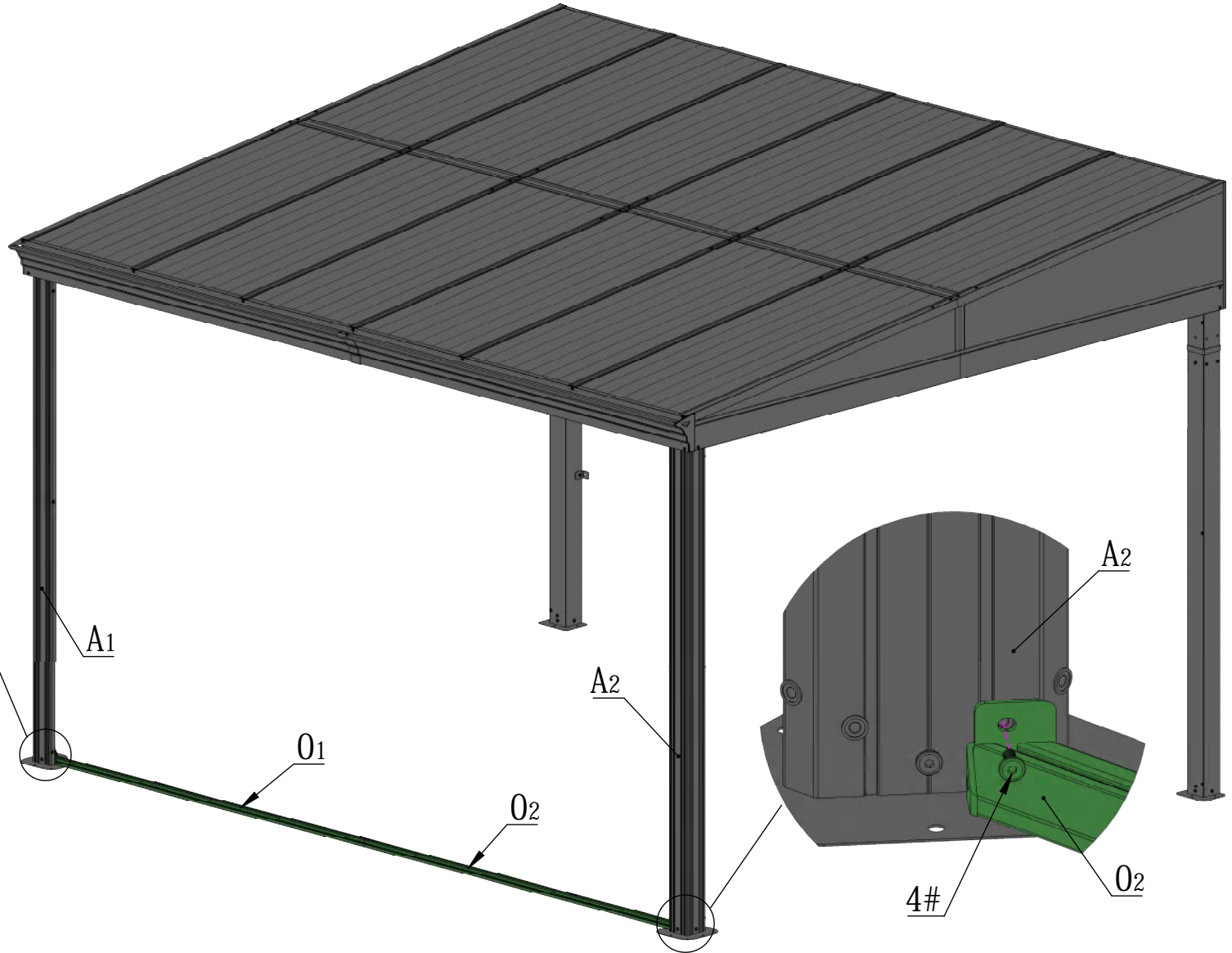
1X



A1

O1

4#

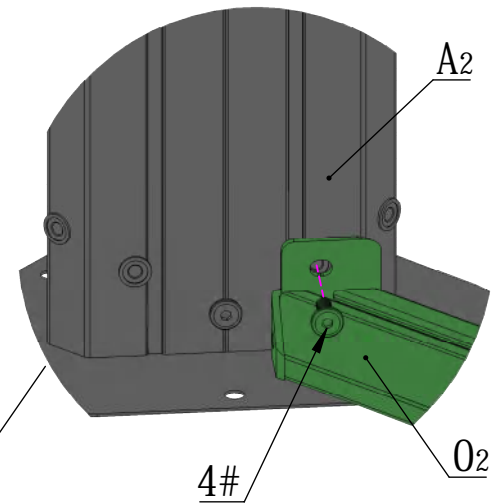


A1

A2

O1

O2

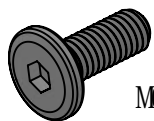


A2

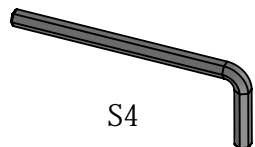
4#

O2





MB*16



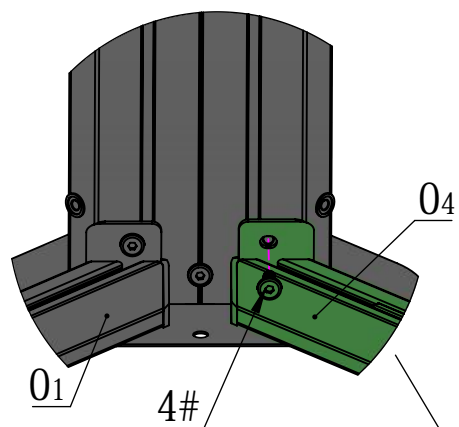
S4

4#

4X

16#

1X

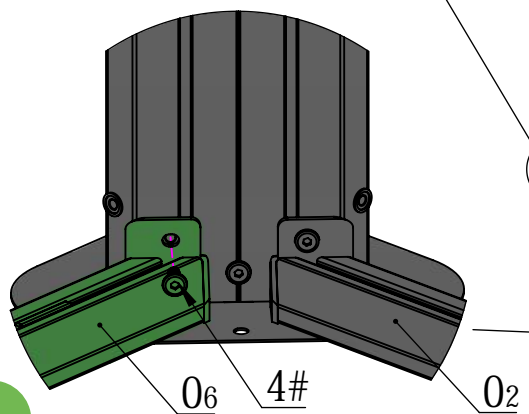


O1

4#

O4

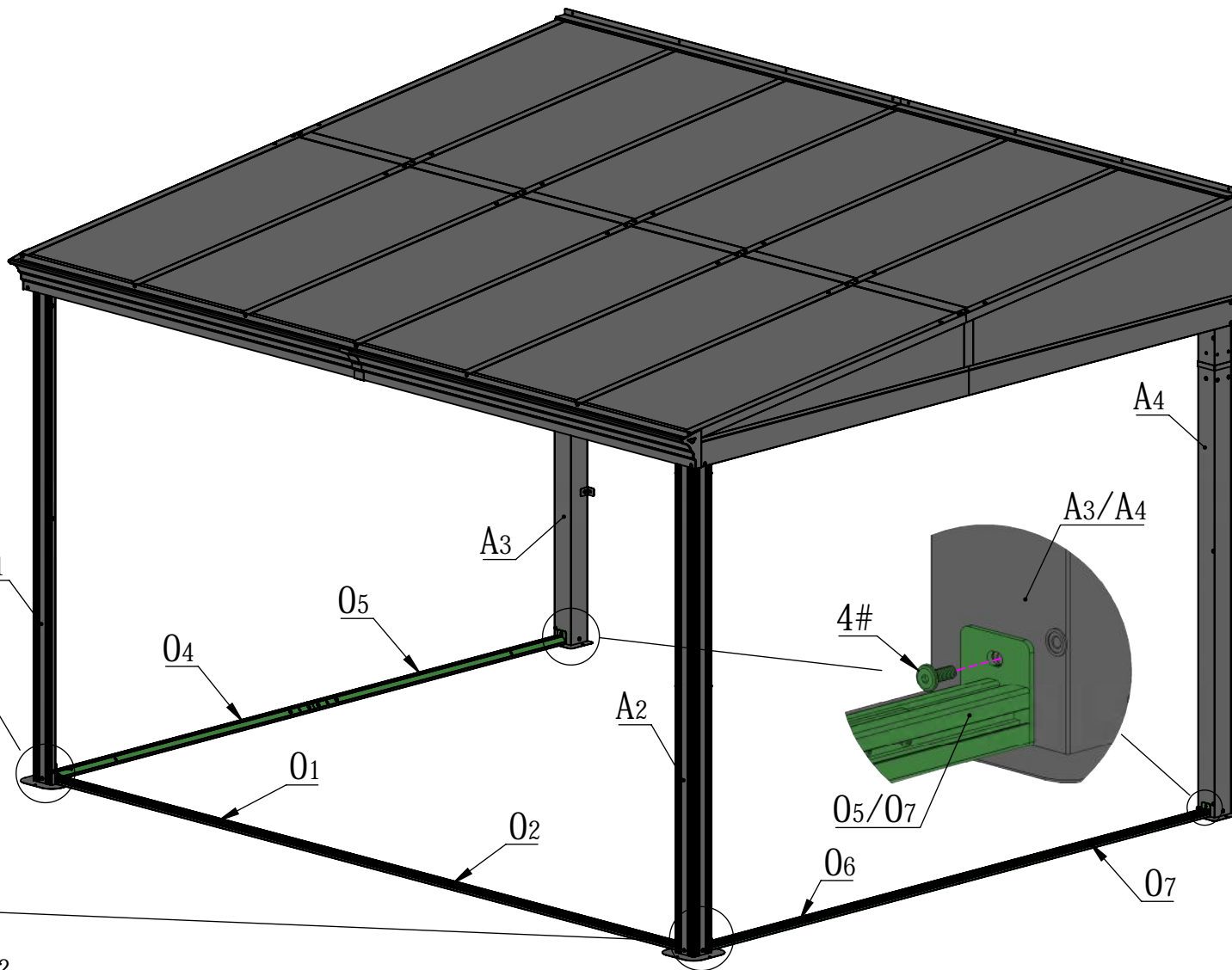
A1



O6

4#

O2



A3

A4

A3/A4

O5

O4

A2

4#

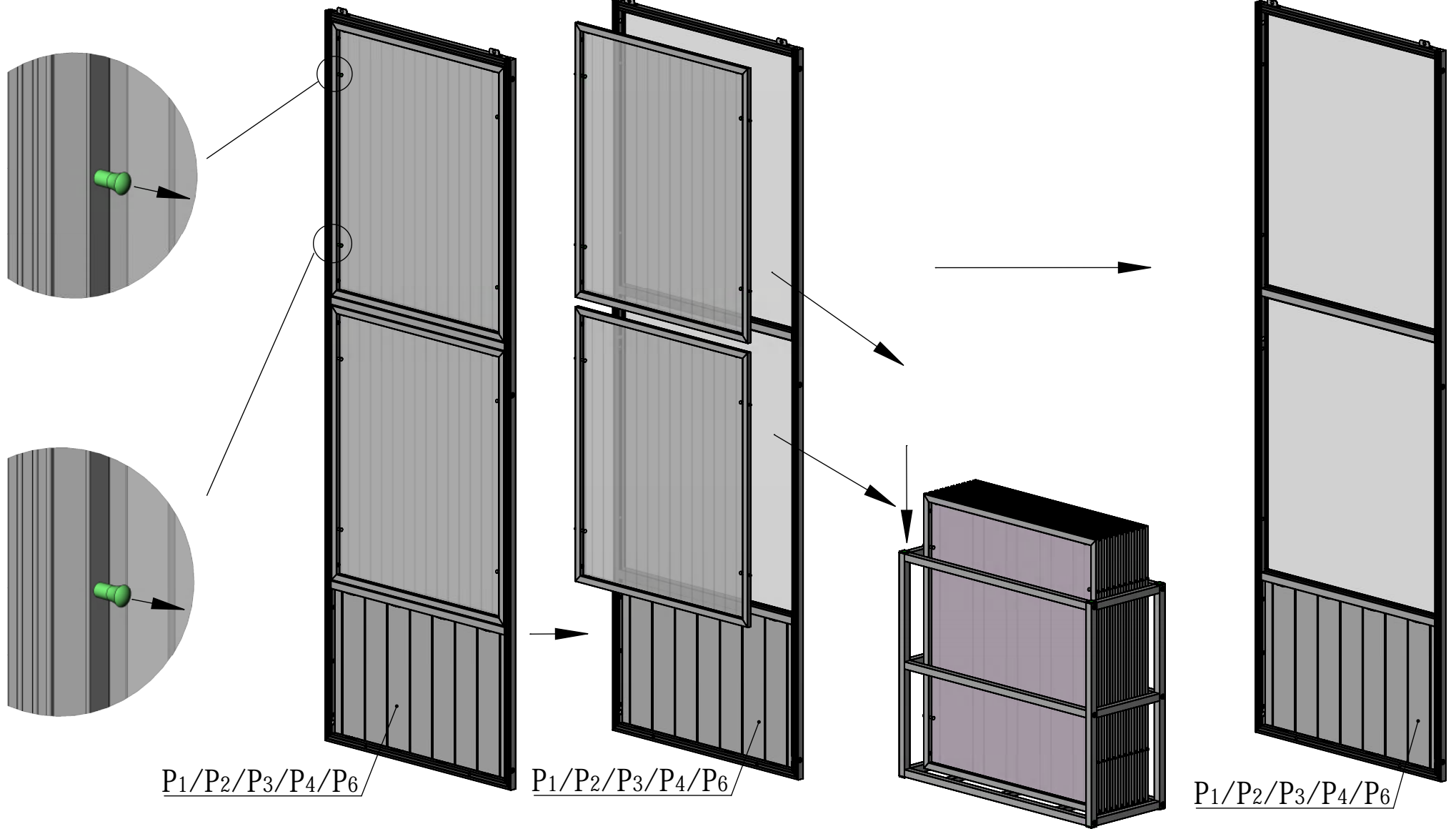
O5/O7

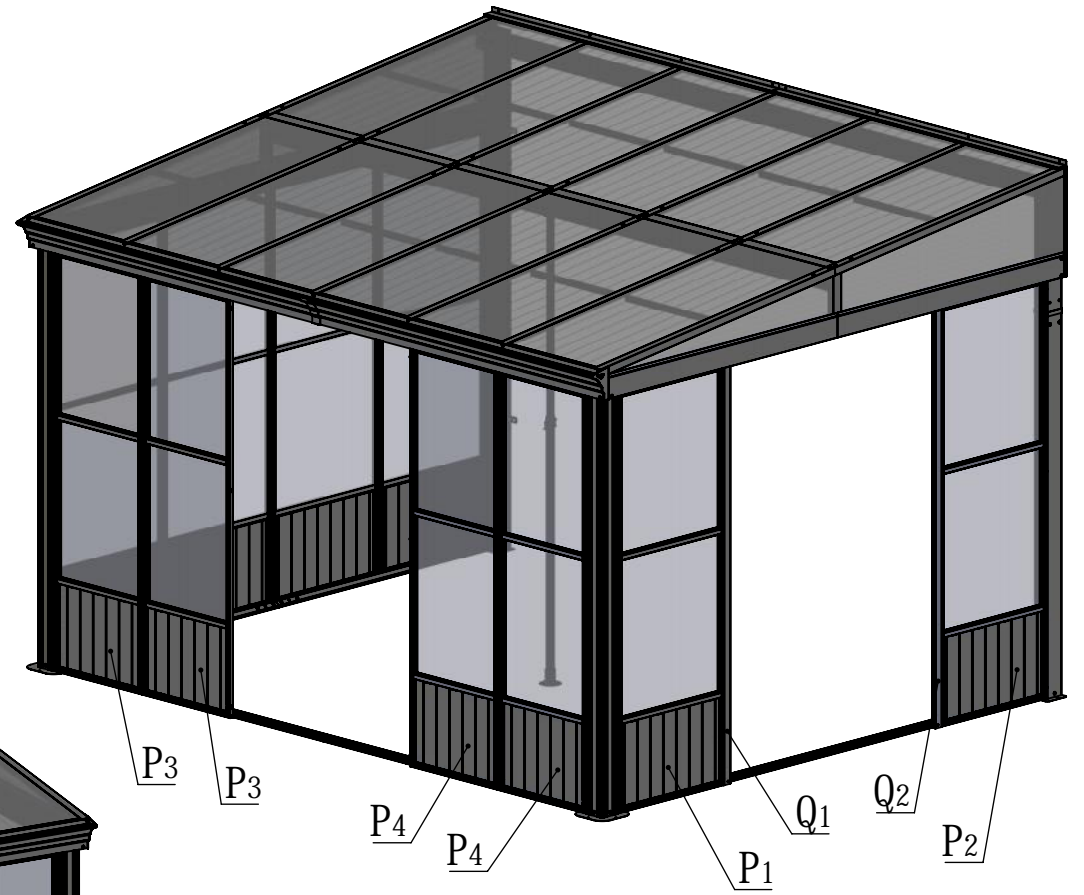
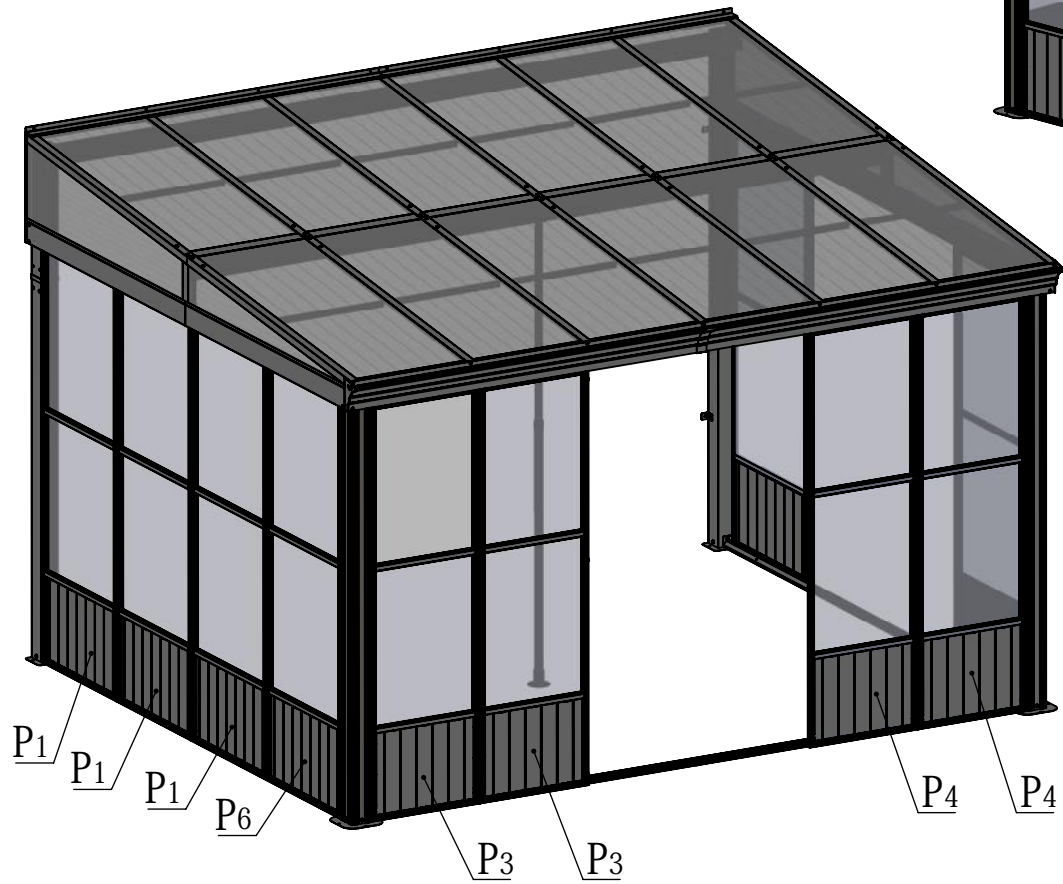
O1

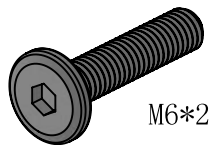
O2

O6

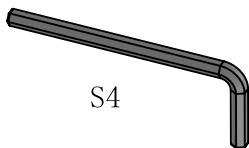
O7







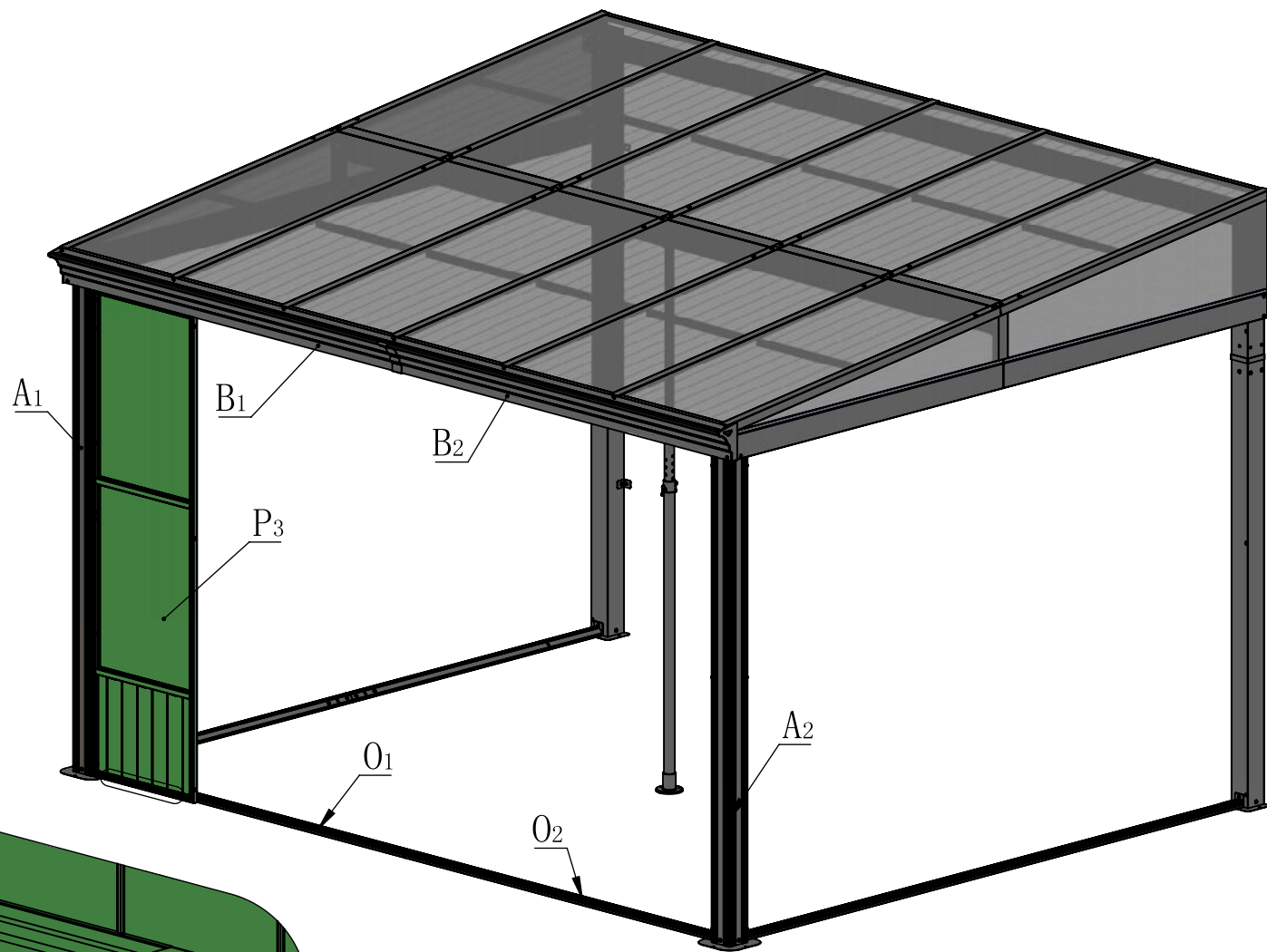
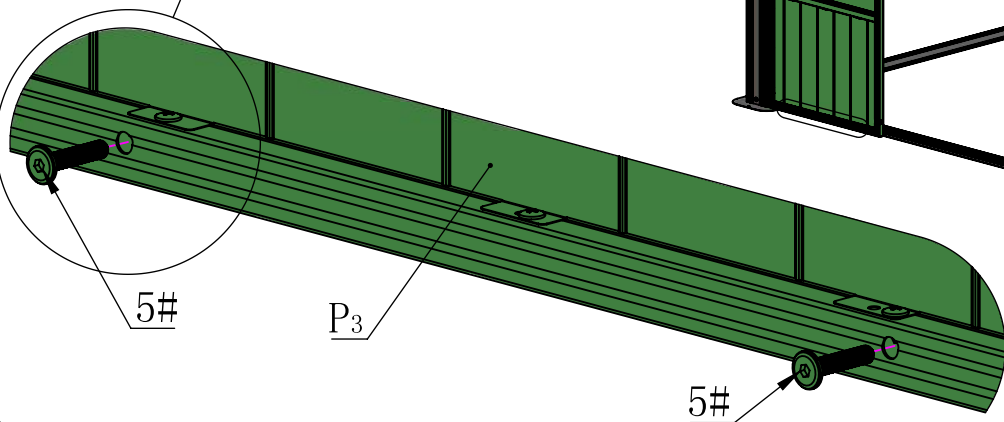
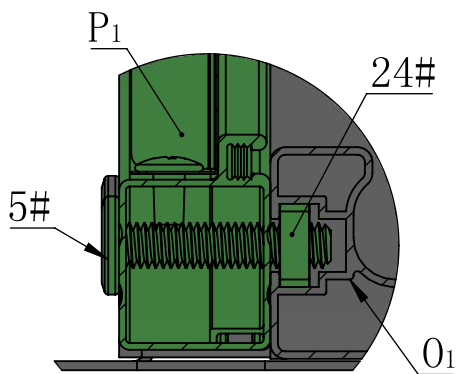
M6*28



S4

5# 2X

16# 1X

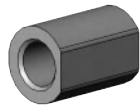




M6*30

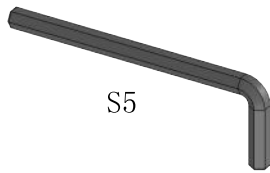
19#

3X



20#

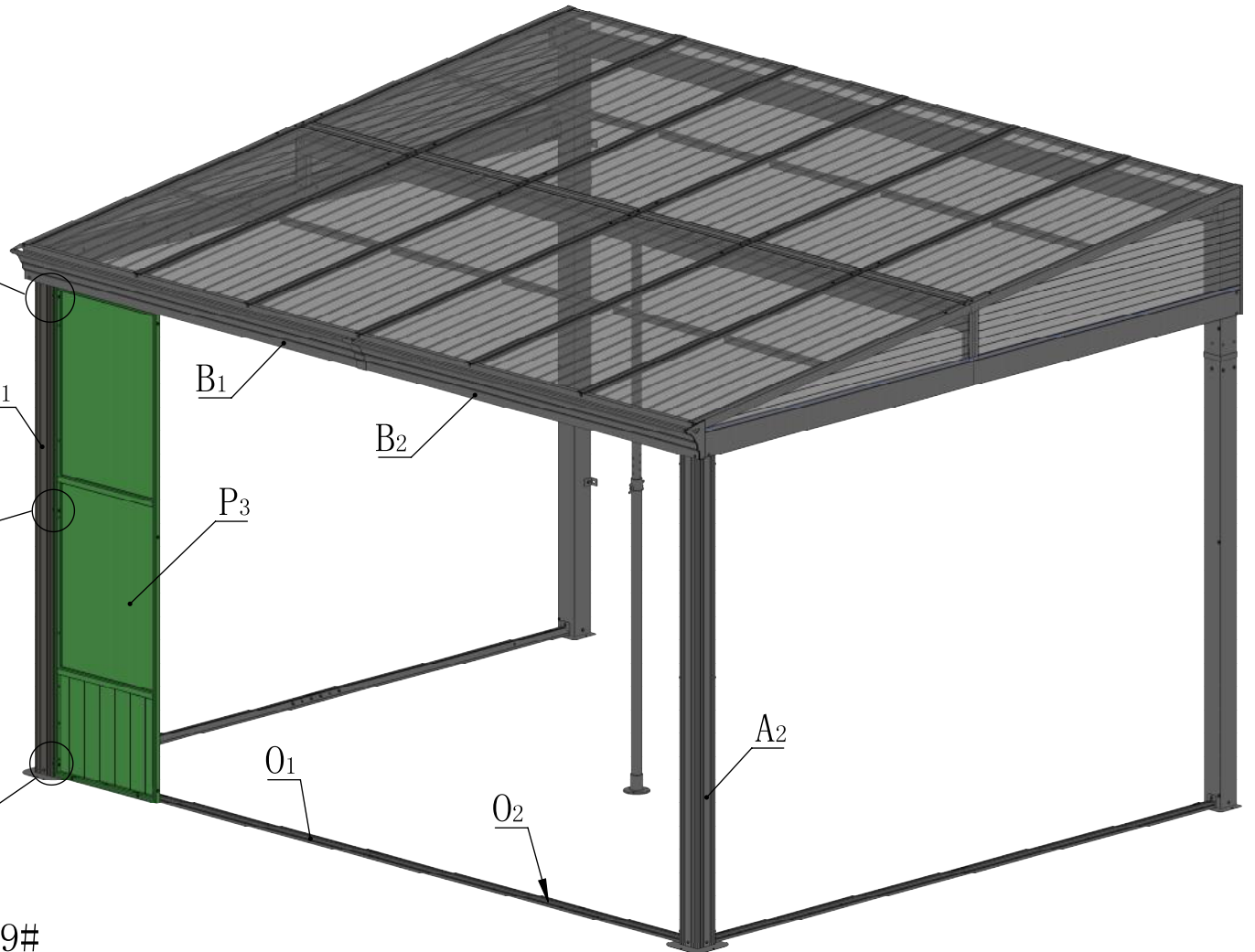
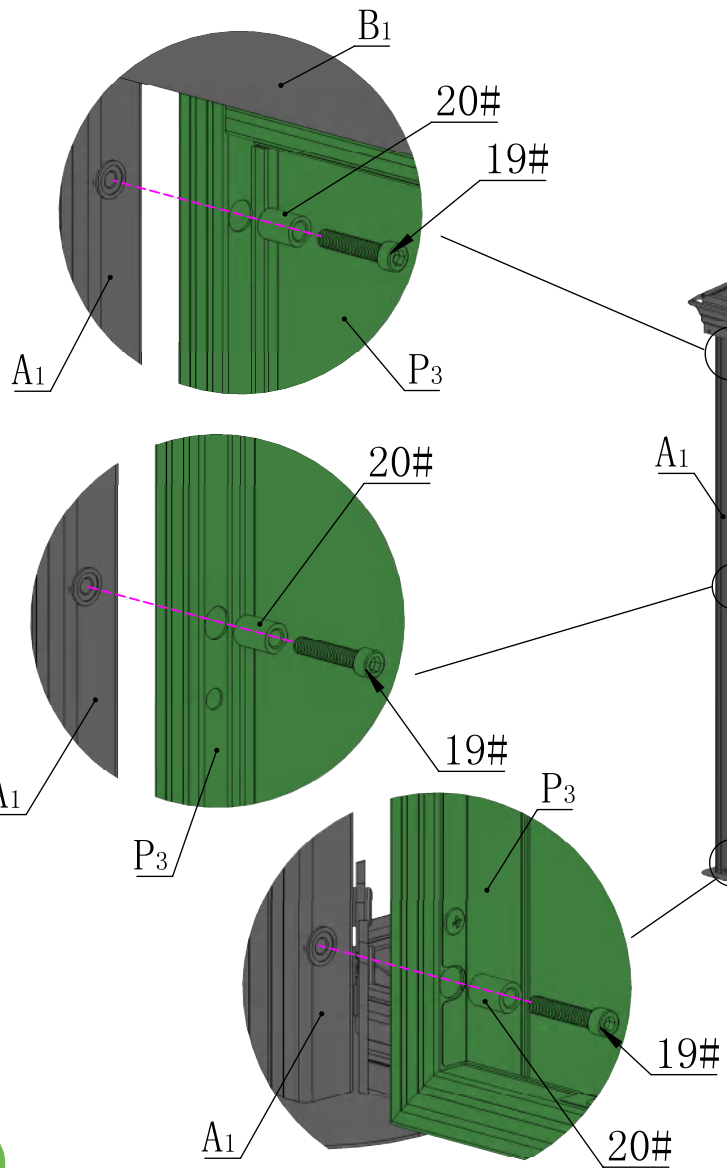
3X

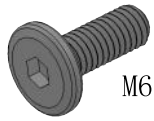


S5

25#

1X

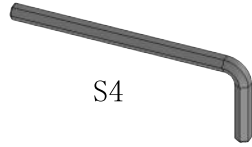




M6*16

4#

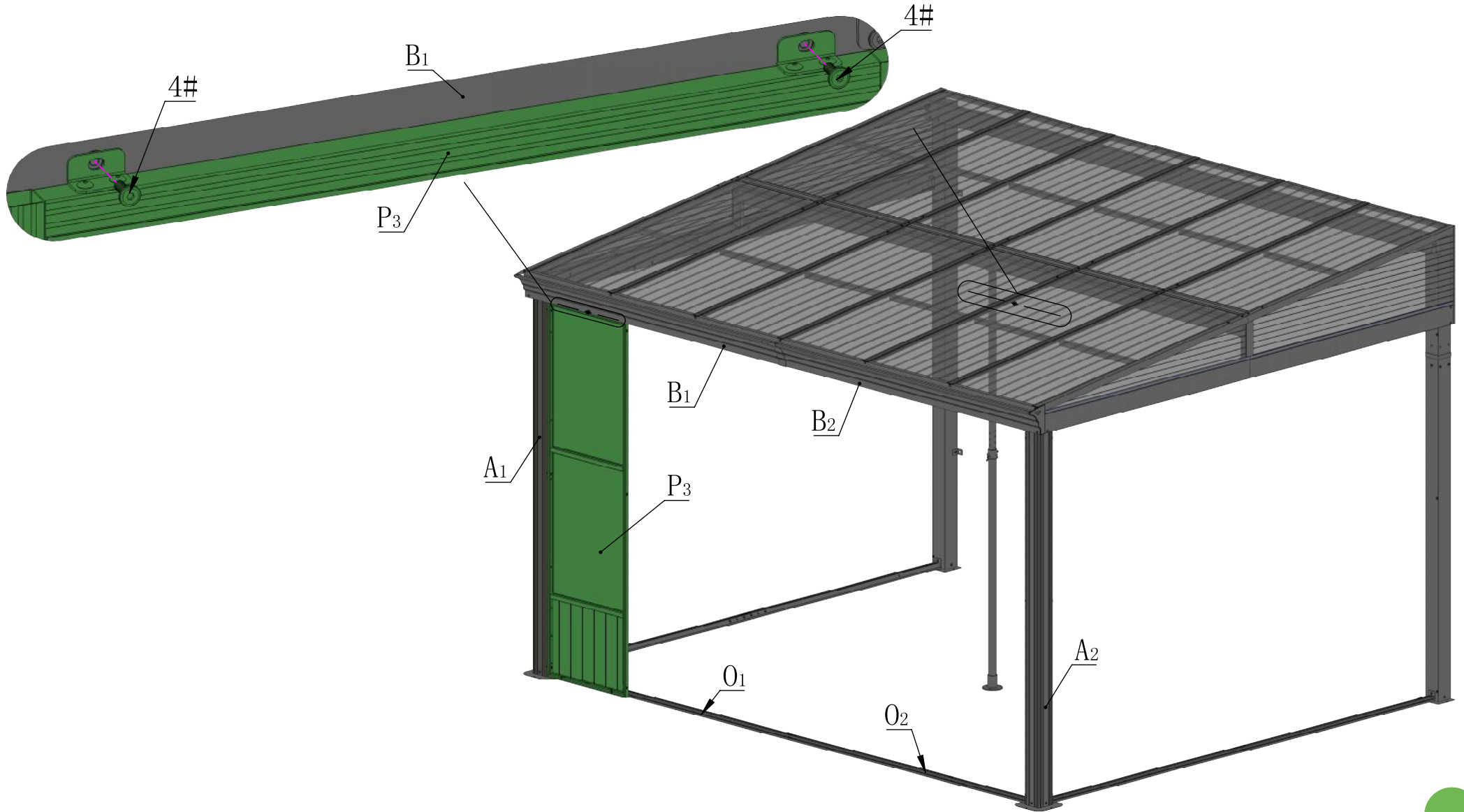
2X

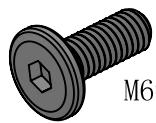


S4

16#

1X

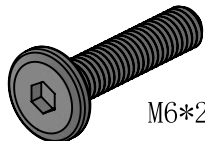




M6*16

4#

2X



M6*28

5#

2X



M6*30

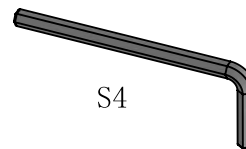
19#

3X



20#

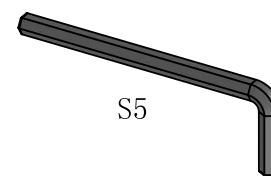
3X



S4

16#

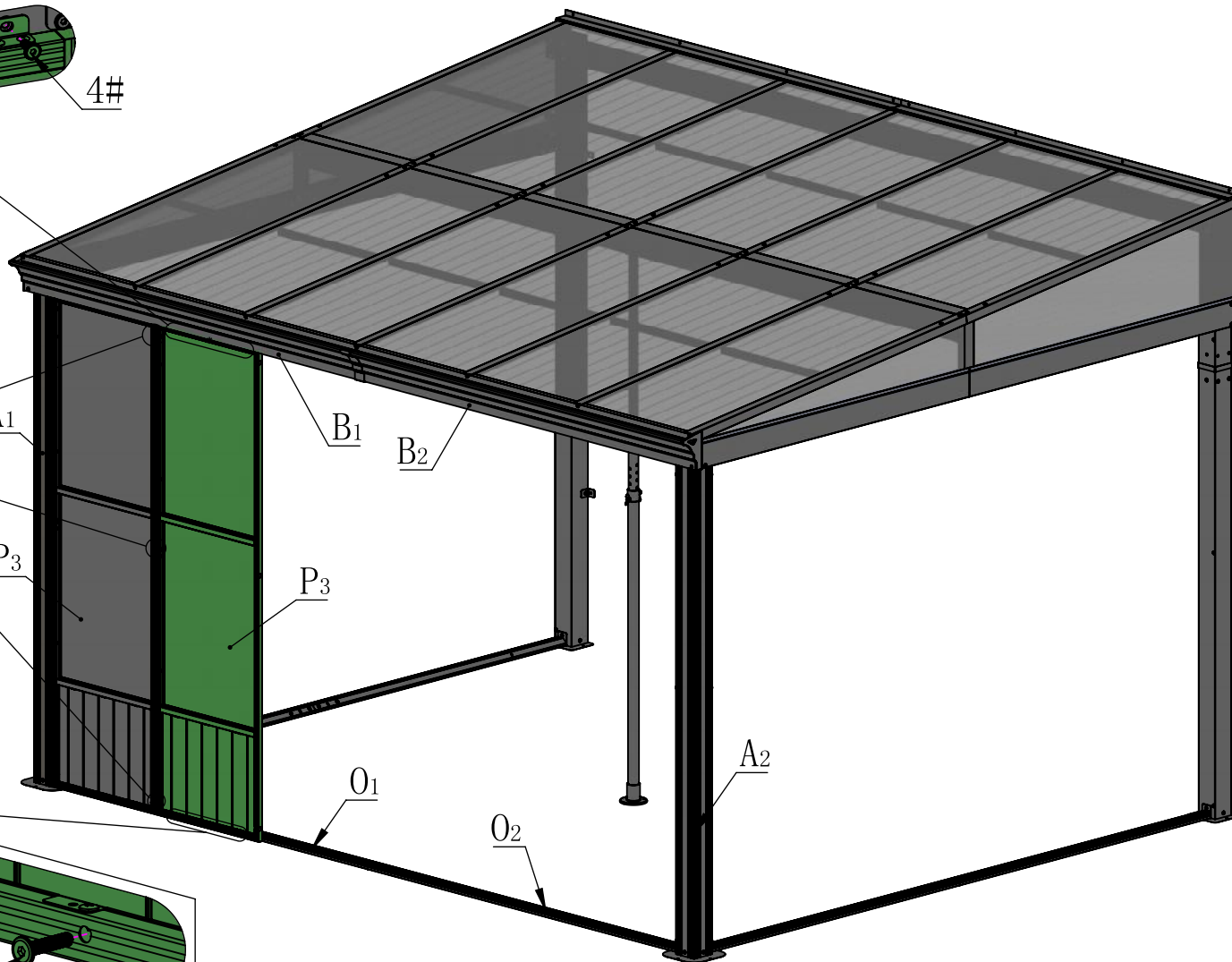
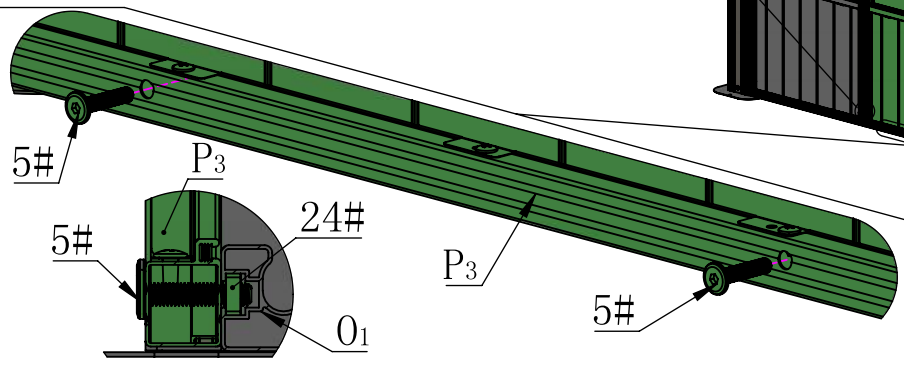
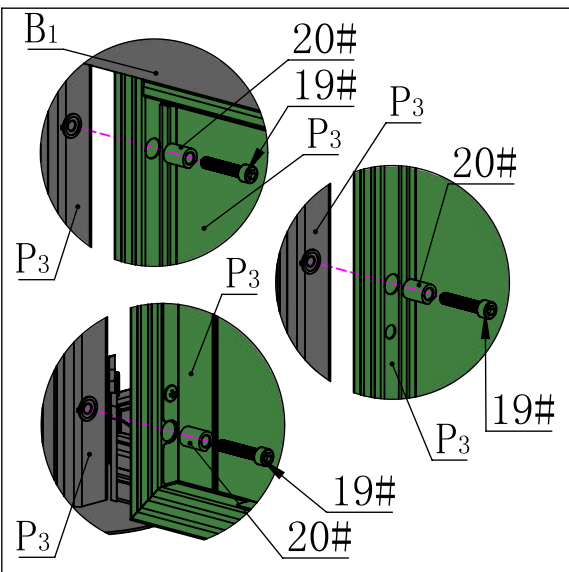
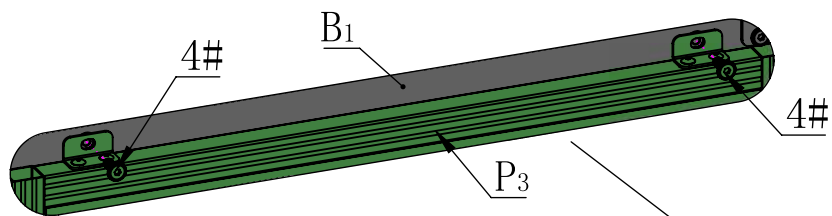
1X

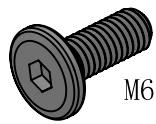


S5

25#

1X

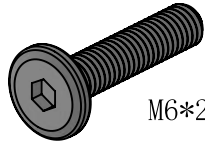




M6*16

4#

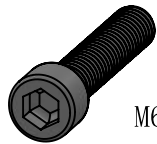
4X



M6*28

5#

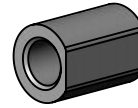
4X



M6*30

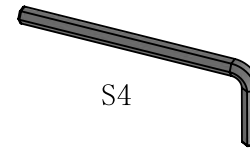
19#

6X



20#

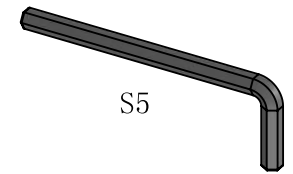
6X



S4

16#

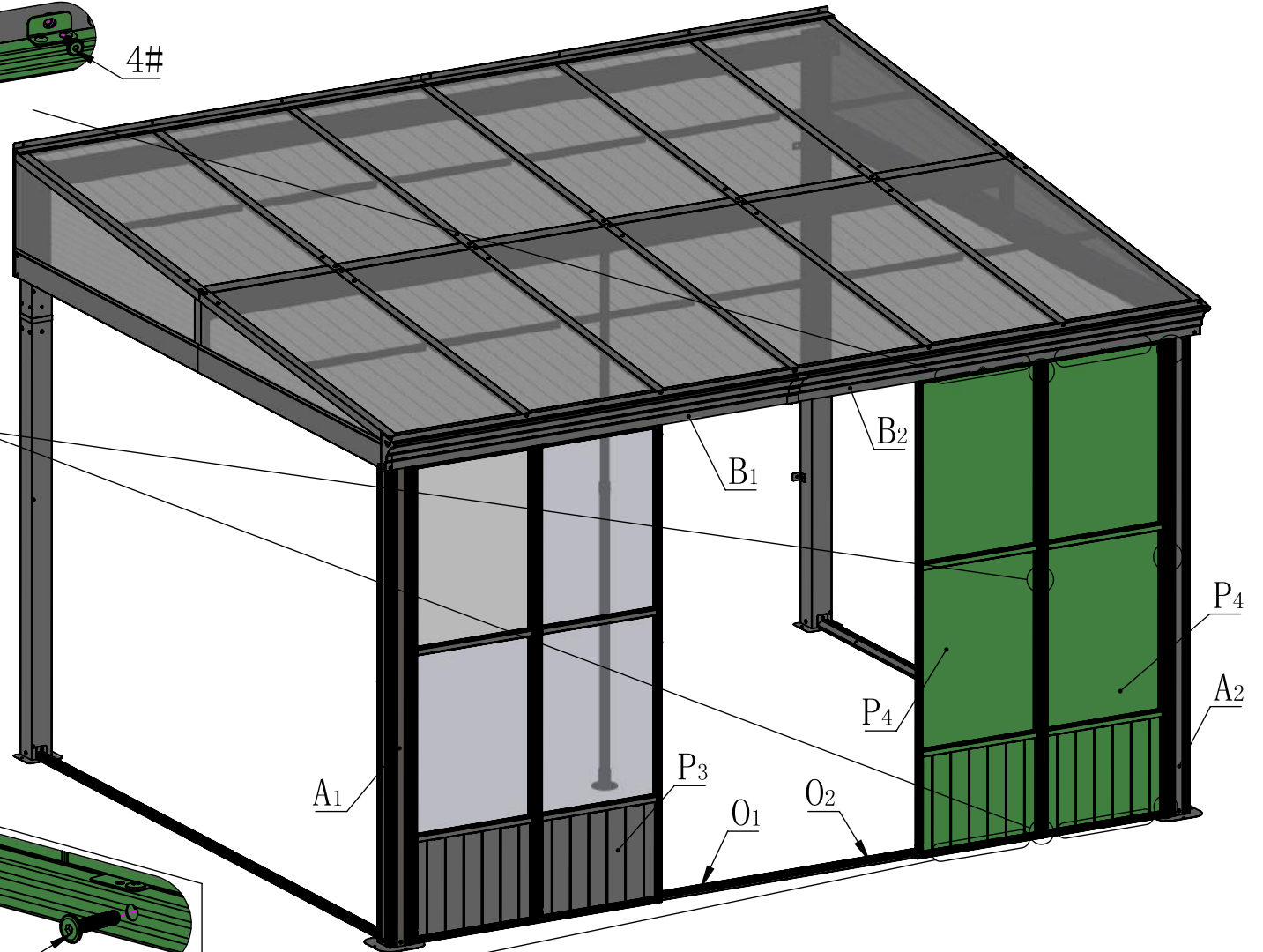
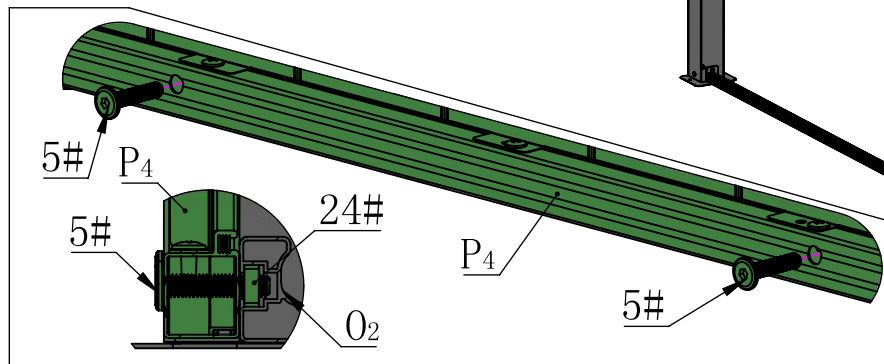
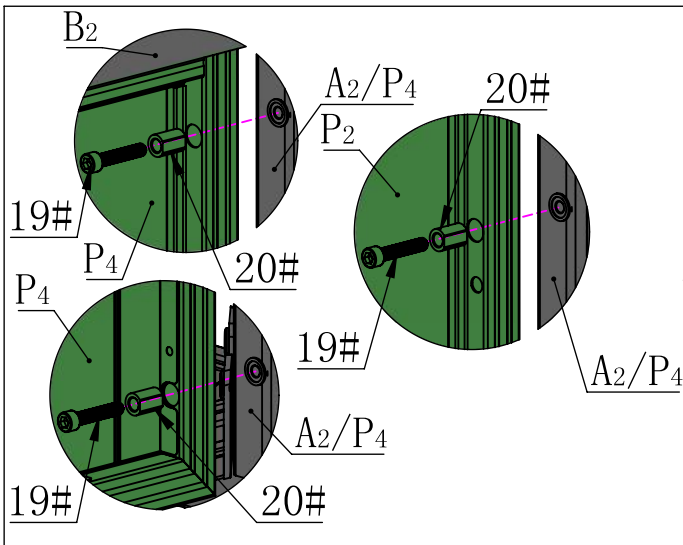
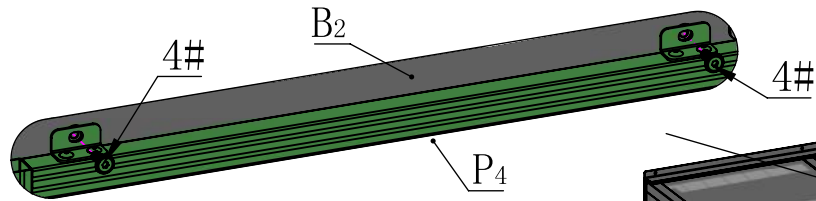
1X

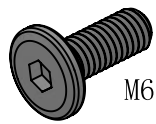


S5

25#

1X

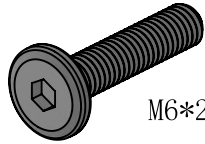




M6*16

4#

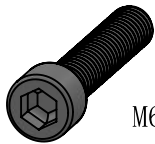
2X



M6*28

5#

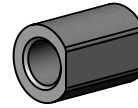
2X



M6*30

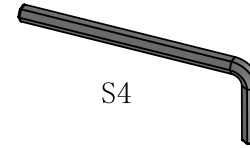
19#

3X



20#

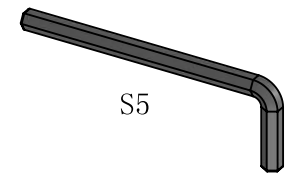
3X



S4

16#

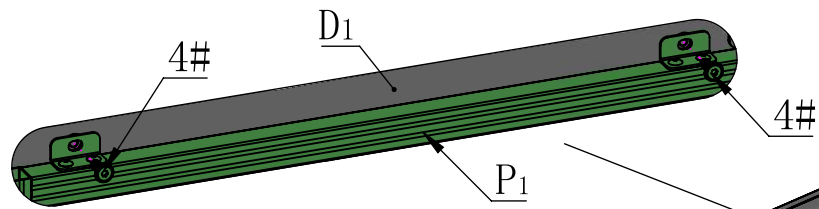
1X



S5

25#

1X

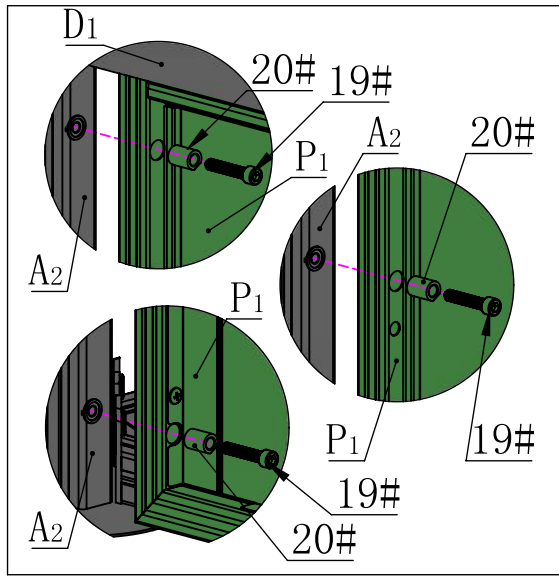


D1

4#

4#

P1



D1

20#

19#

P1

A2

20#

A2

P1

P1

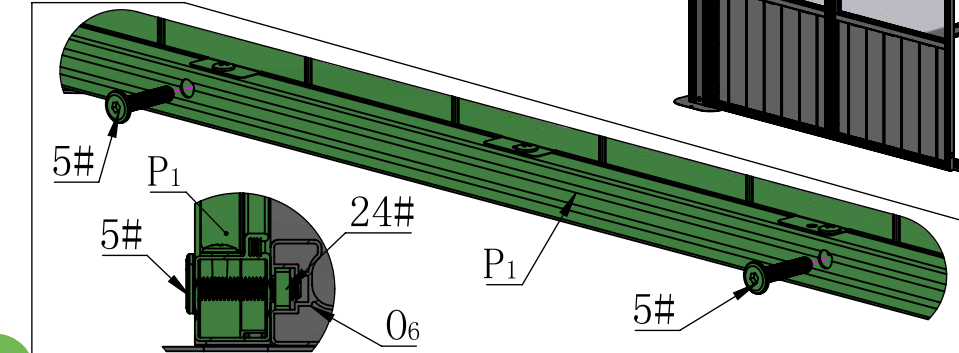
19#

A2

P1

19#

20#



5#

P1

P1

5#

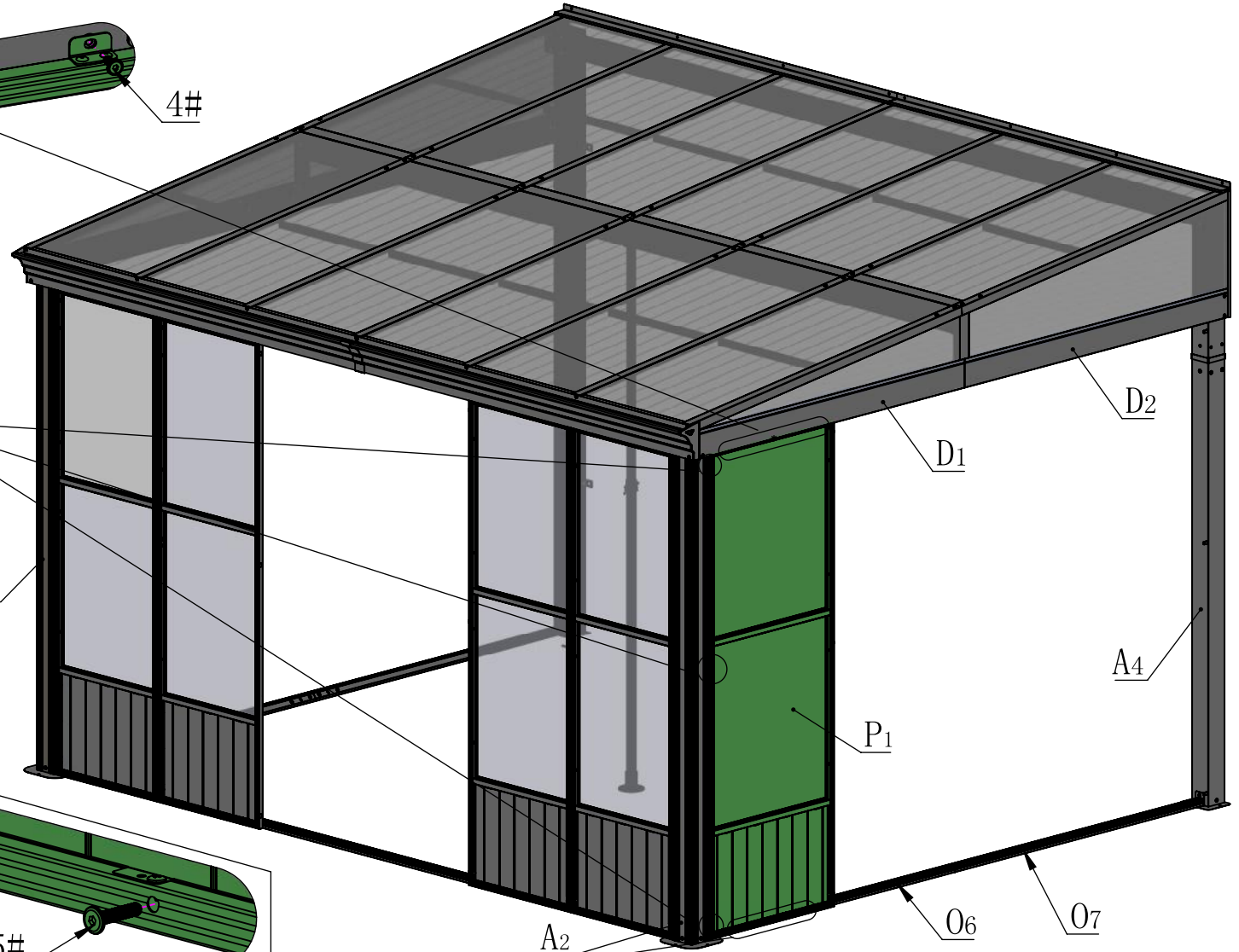
24#

O6

A2

O6

O7

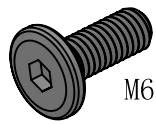


D2

D1

A4

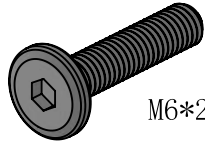
P1



M6*16

4#

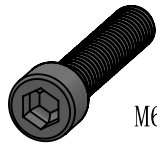
6X



M6*28

5#

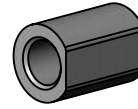
6X



M6*30

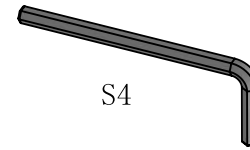
19#

9X



20#

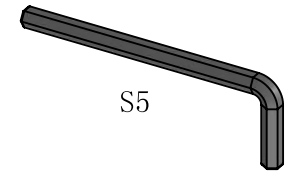
9X



S4

16#

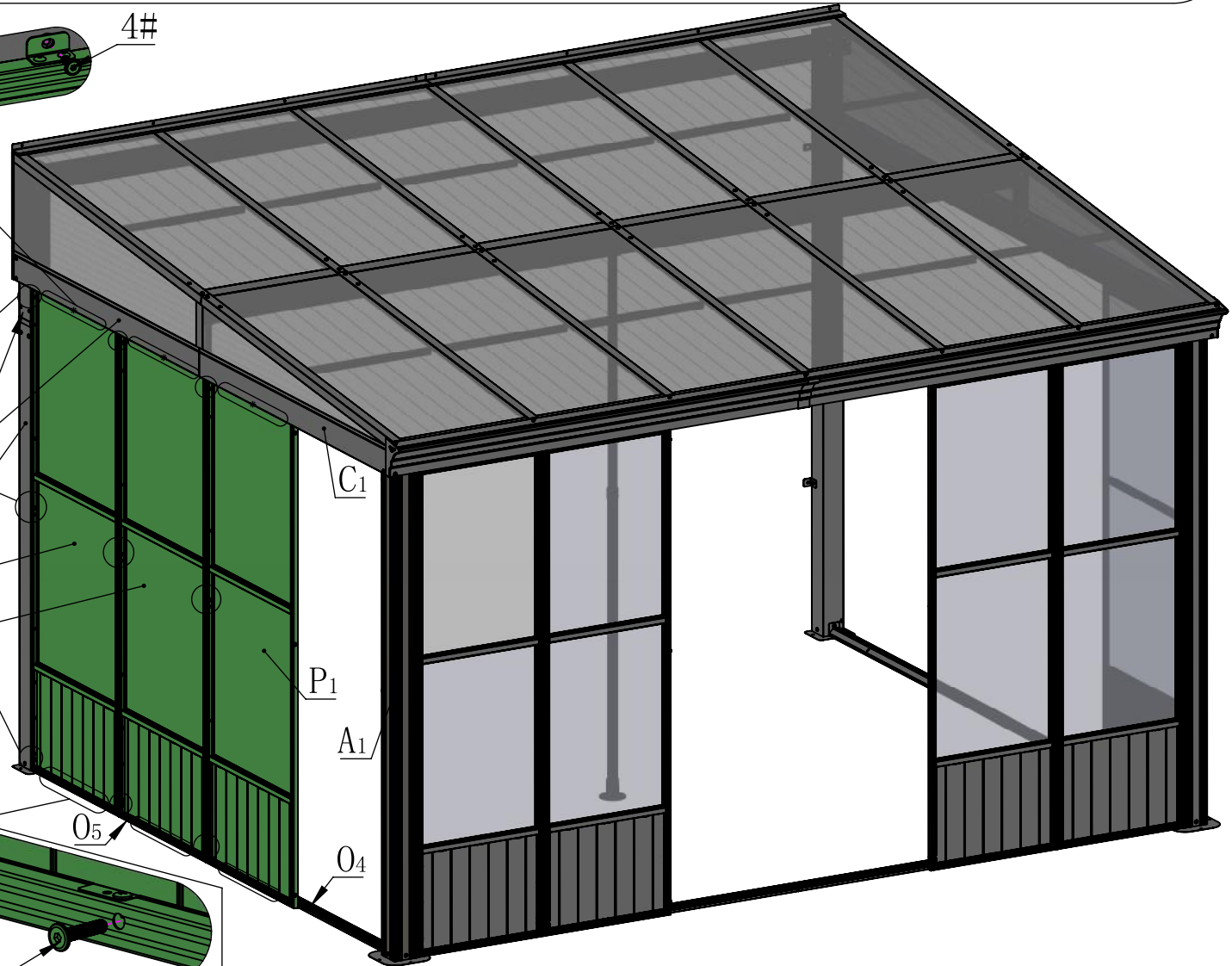
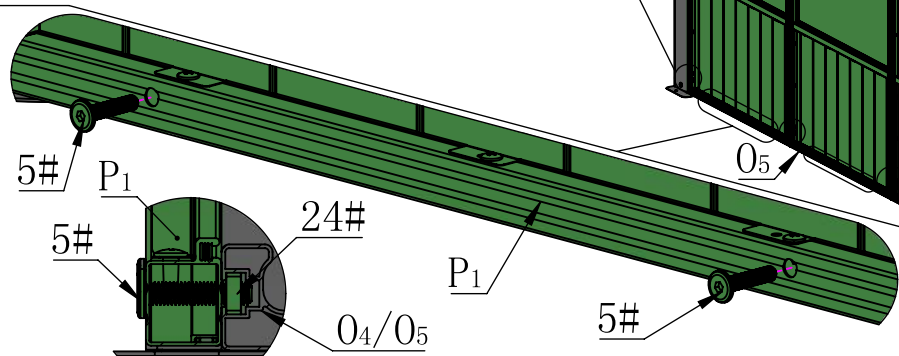
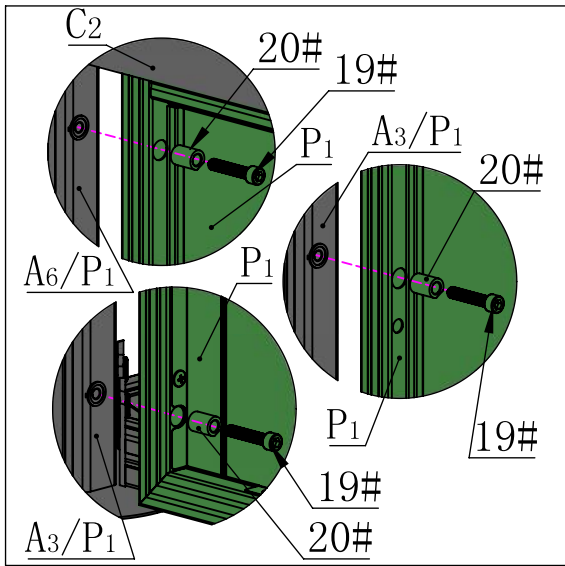
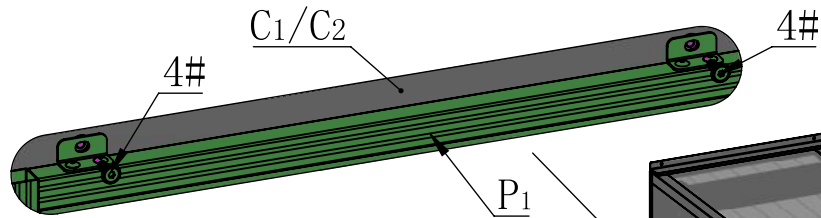
1X

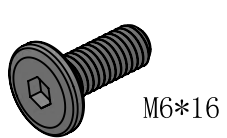


S5

25#

1X

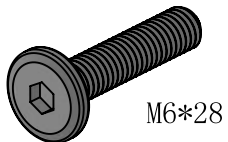




M6*16

4#

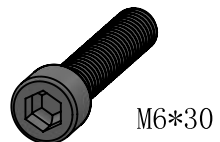
2X



M6*28

5#

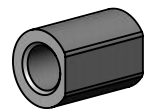
2X



M6*30

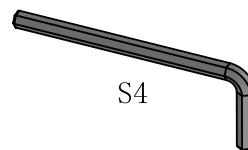
19#

6X



20#

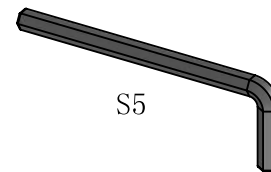
6X



S4

16#

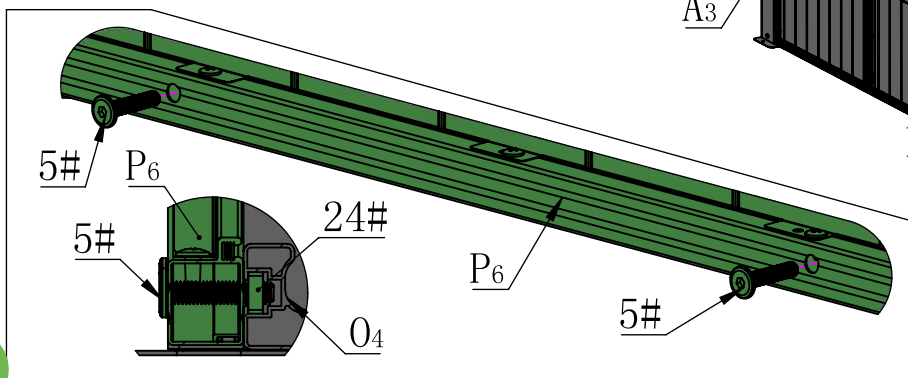
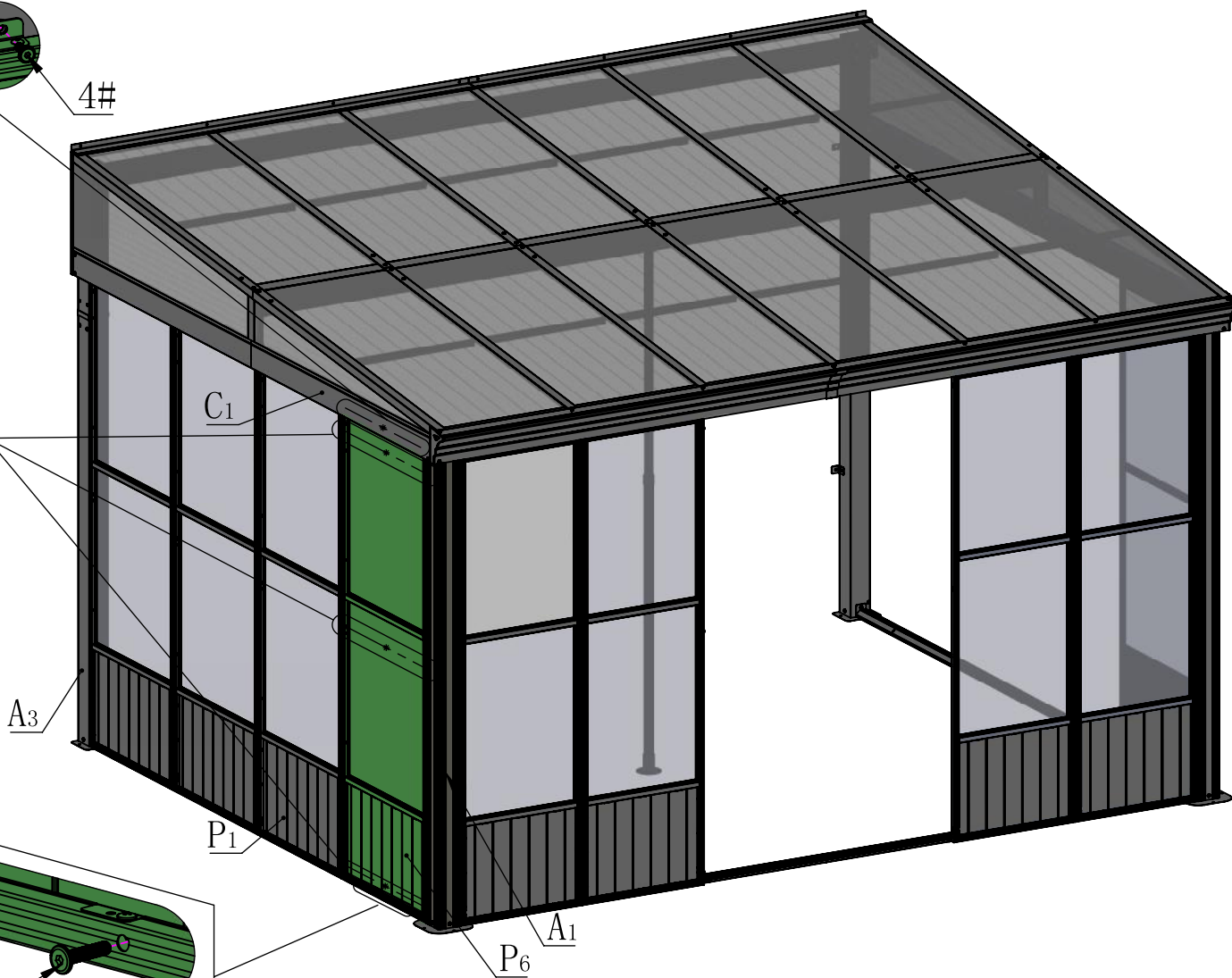
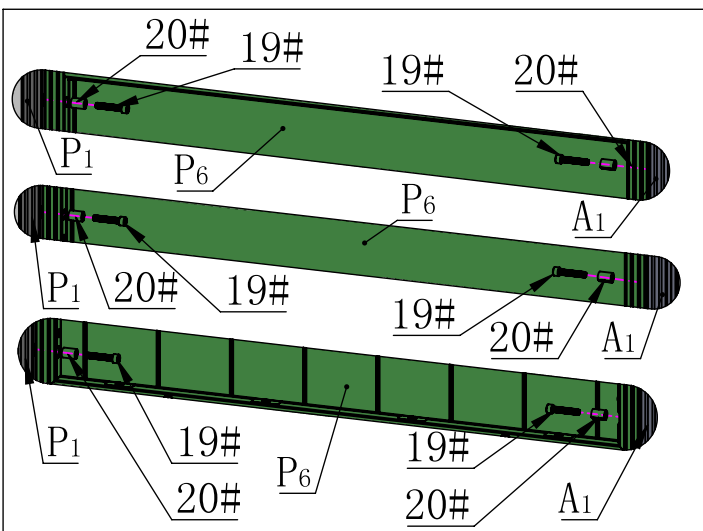
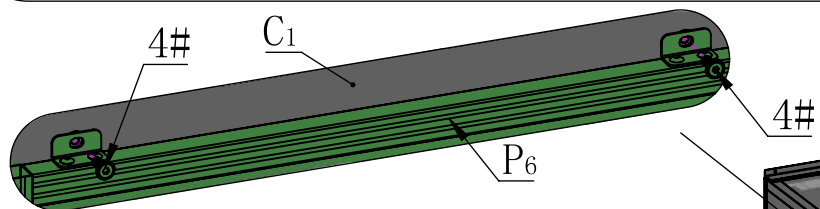
1X

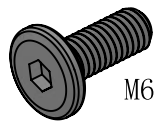


S5

25#

1X

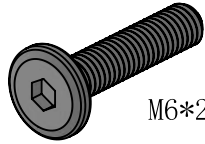




M6*16

4#

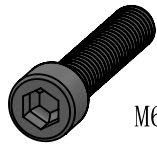
2X



M6*28

5#

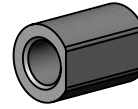
2X



M6*30

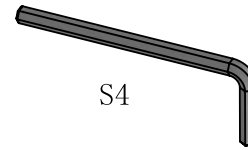
19#

3X



20#

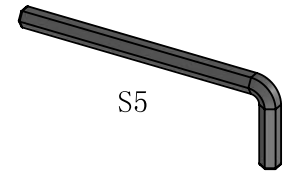
3X



S4

16#

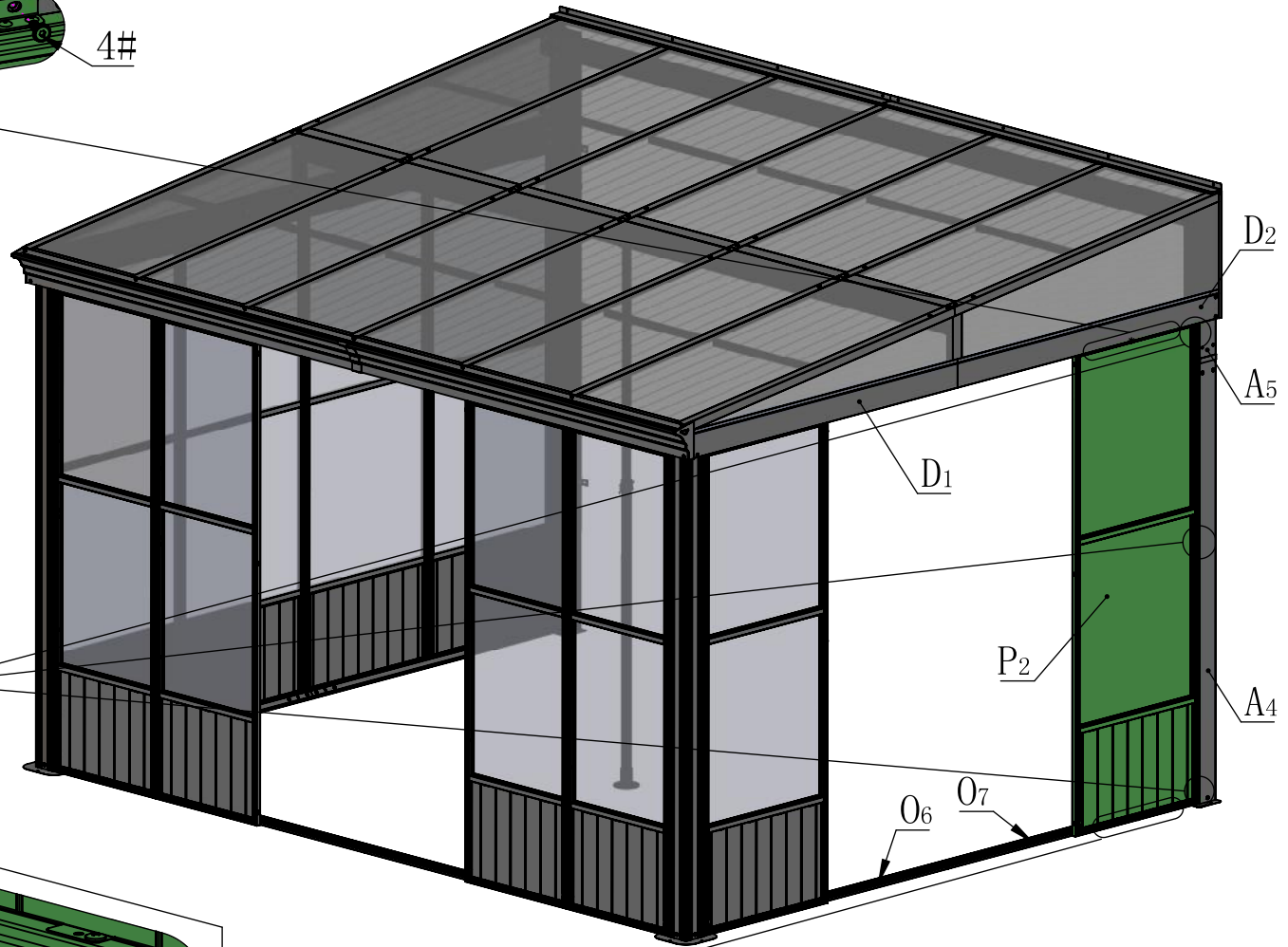
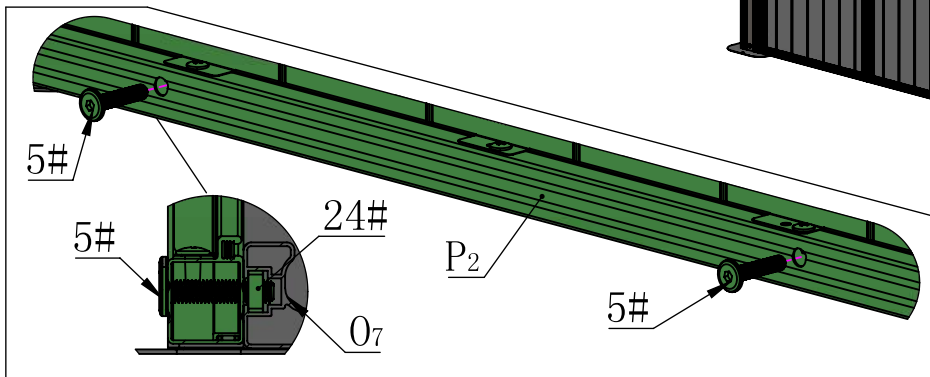
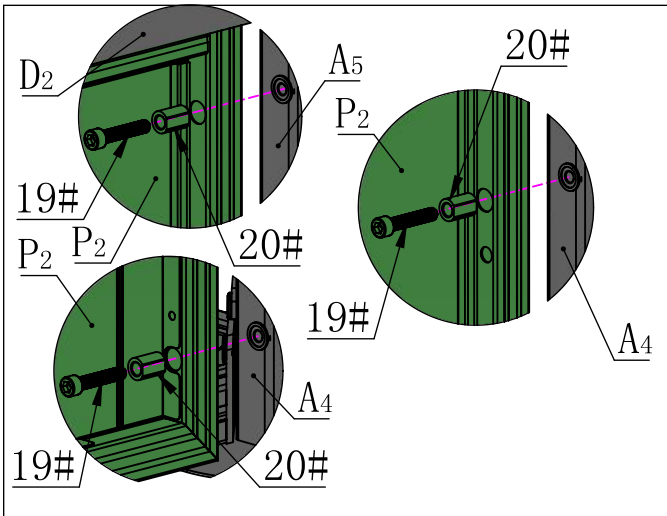
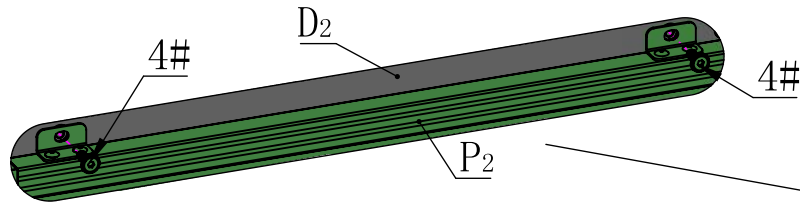
1X

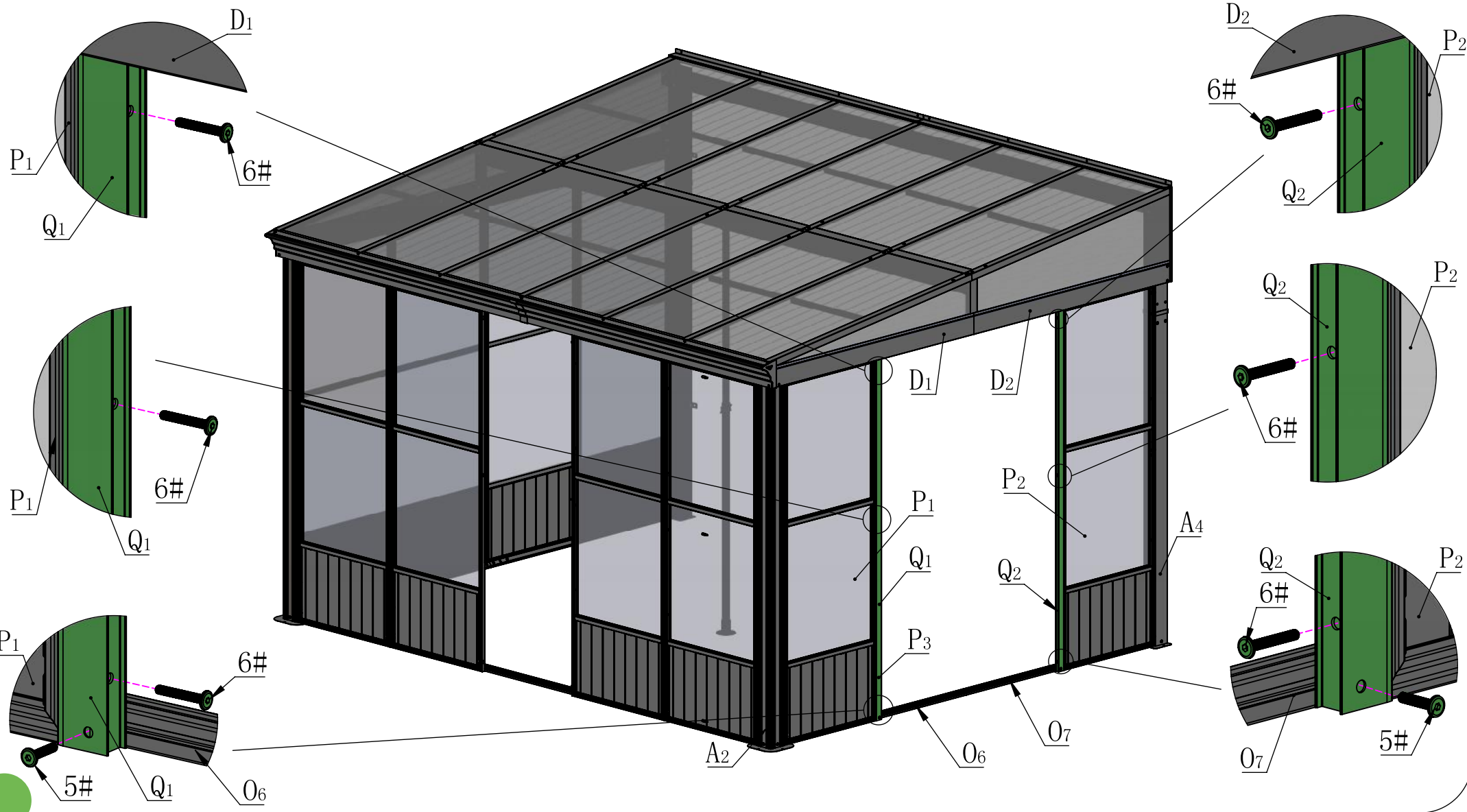
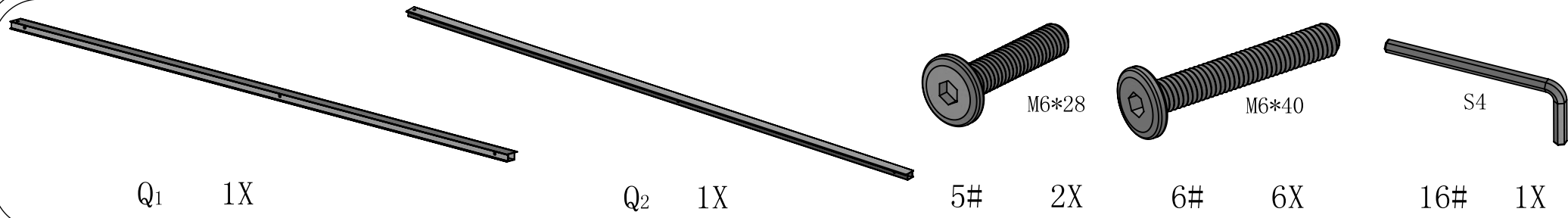


S5

25#

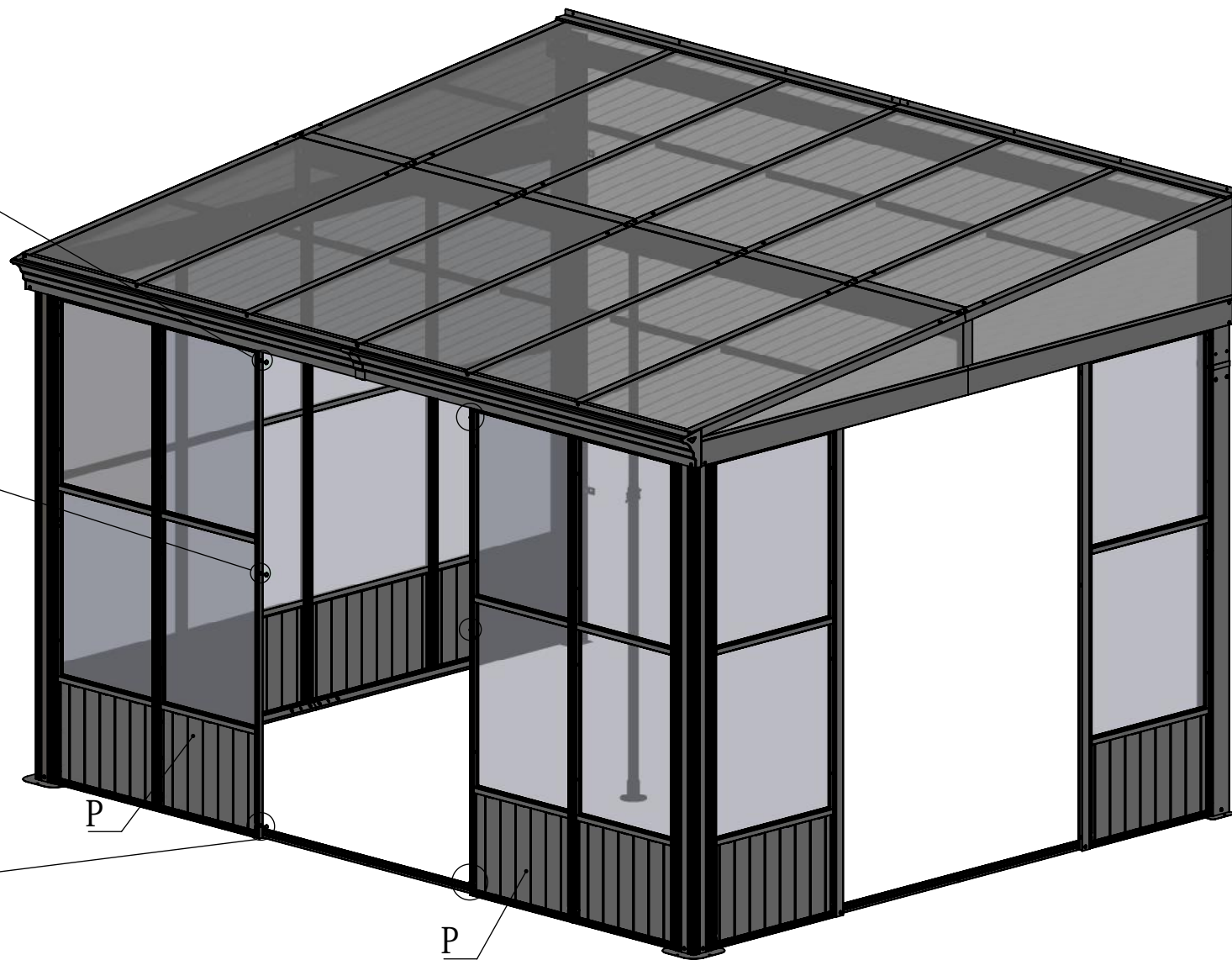
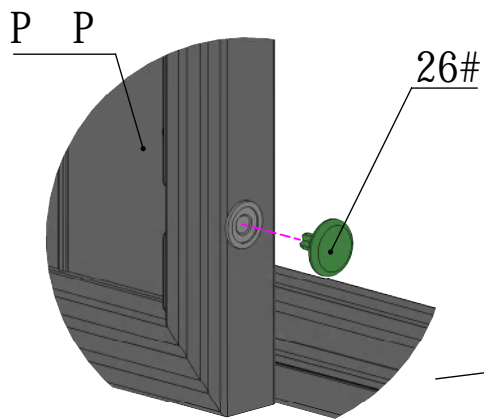
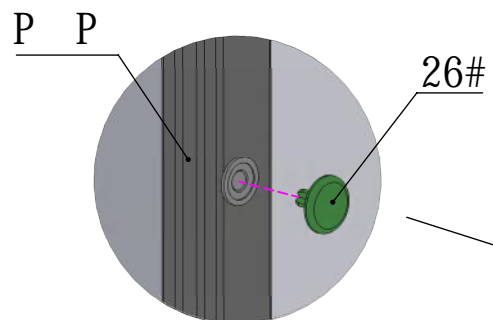
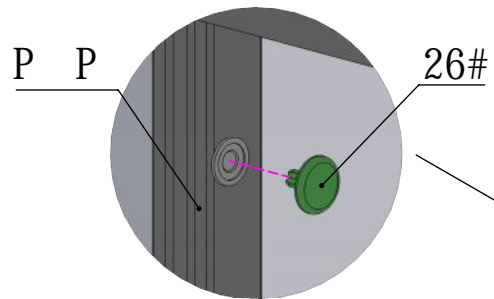
1X

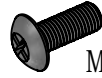
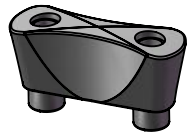






26# 6X

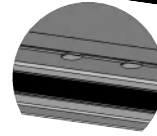
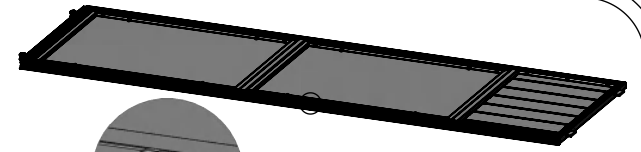
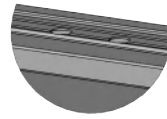
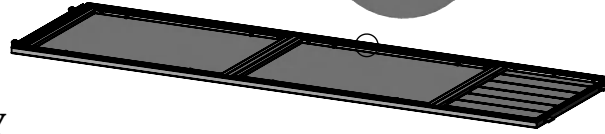




M4*10



M4



M

4X

21#

8X

22#

8X

23#

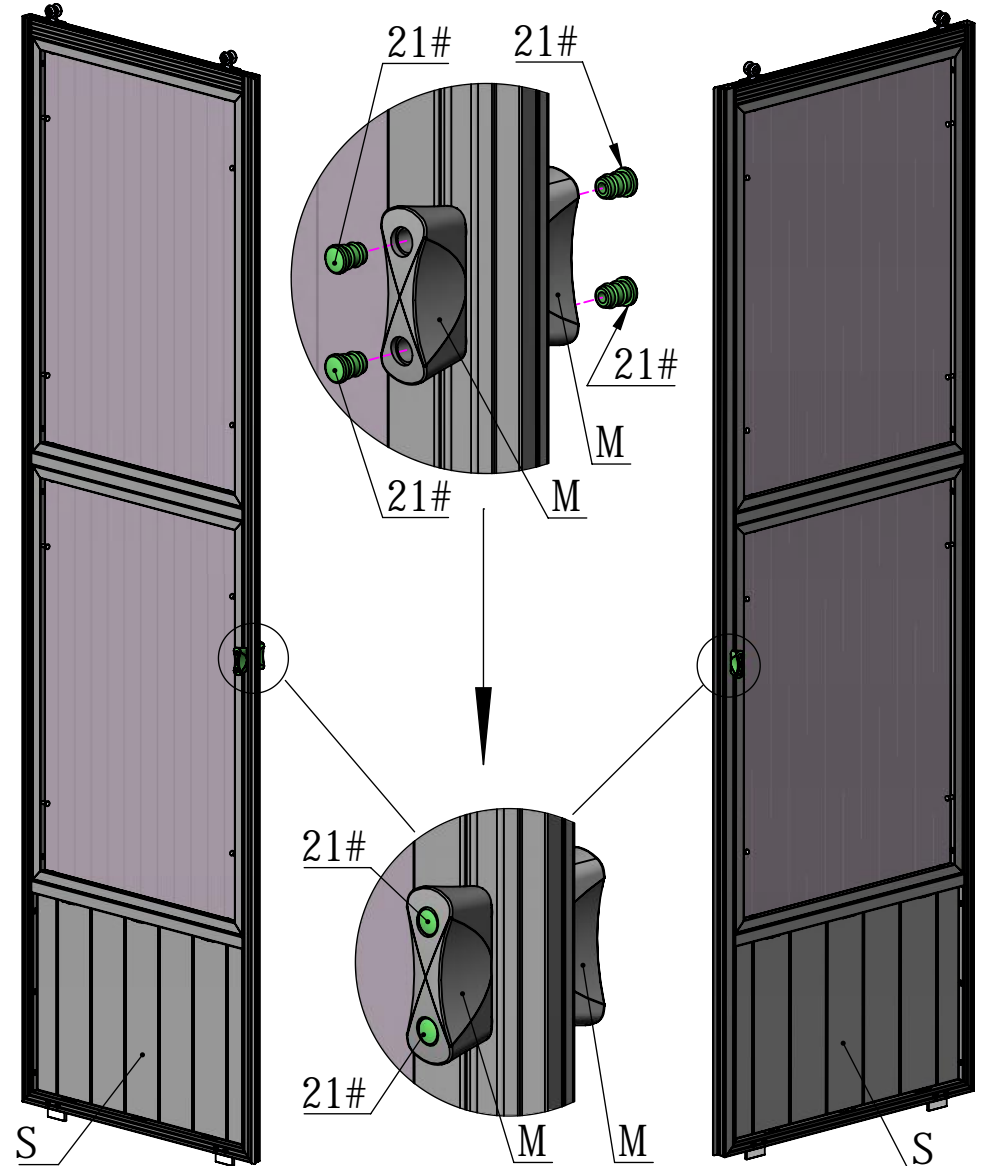
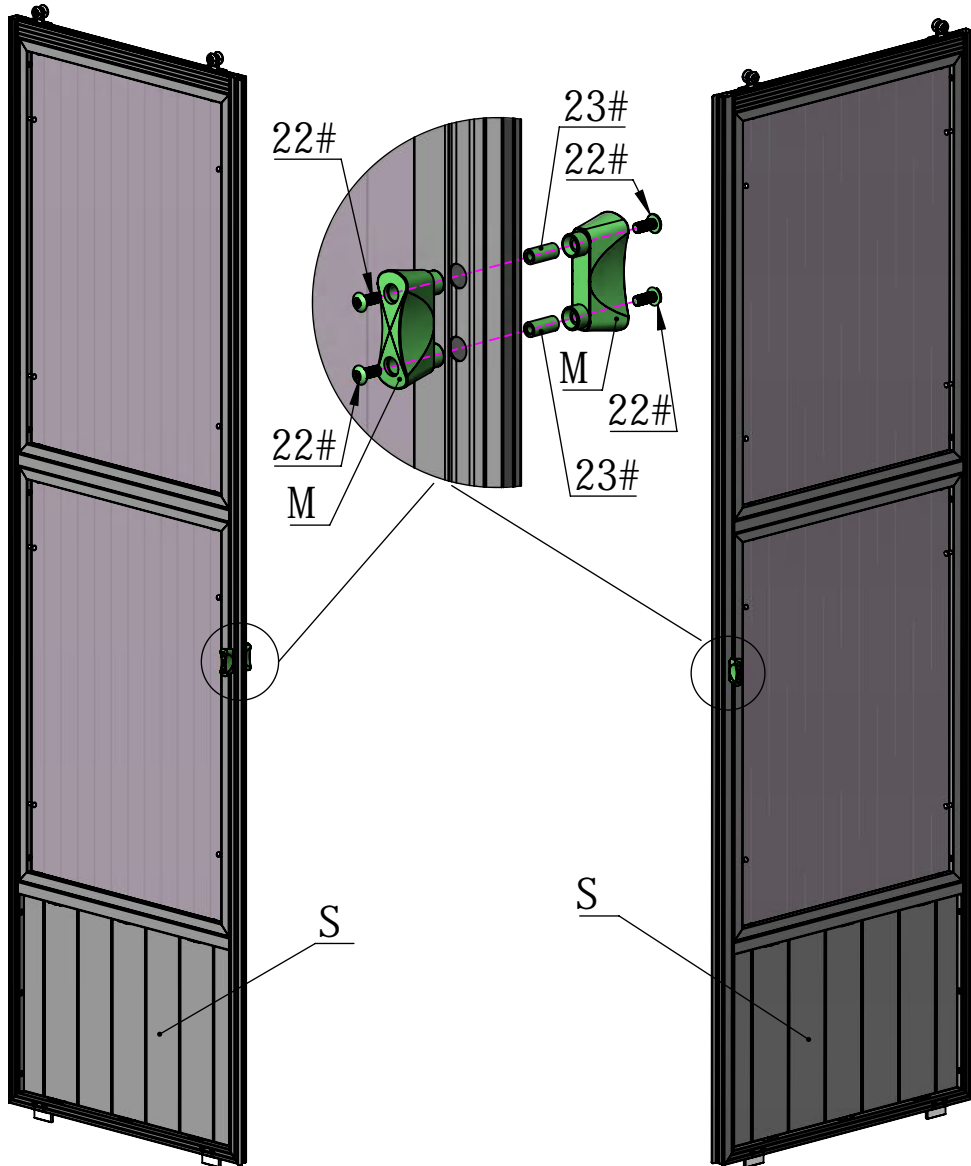
4X

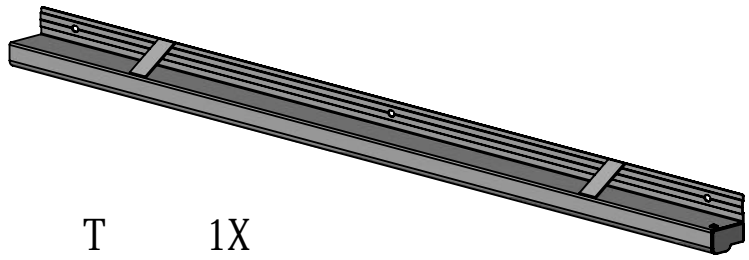
S

1X

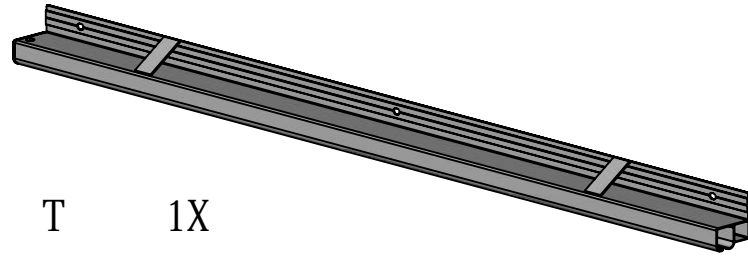
S

1X

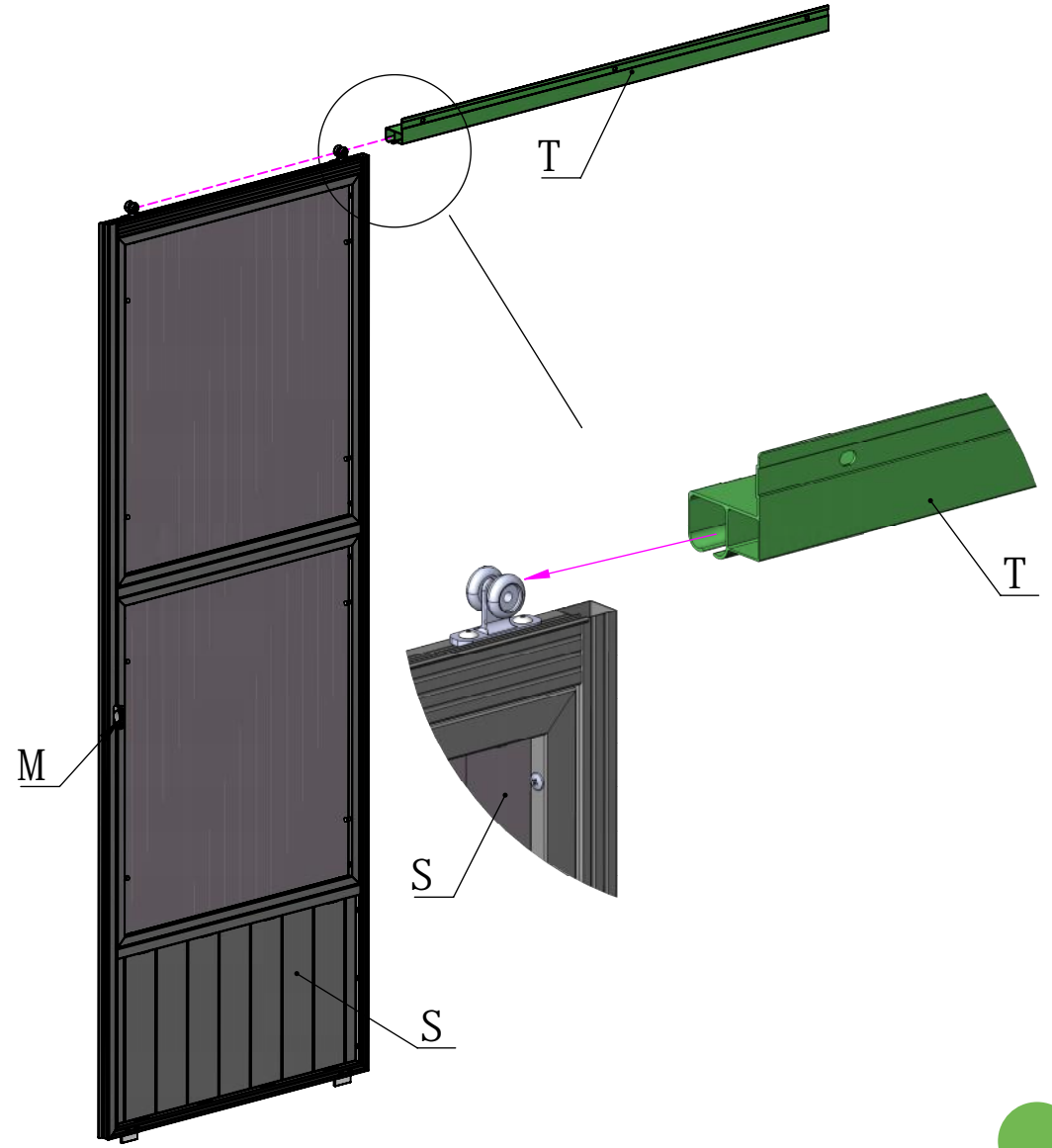
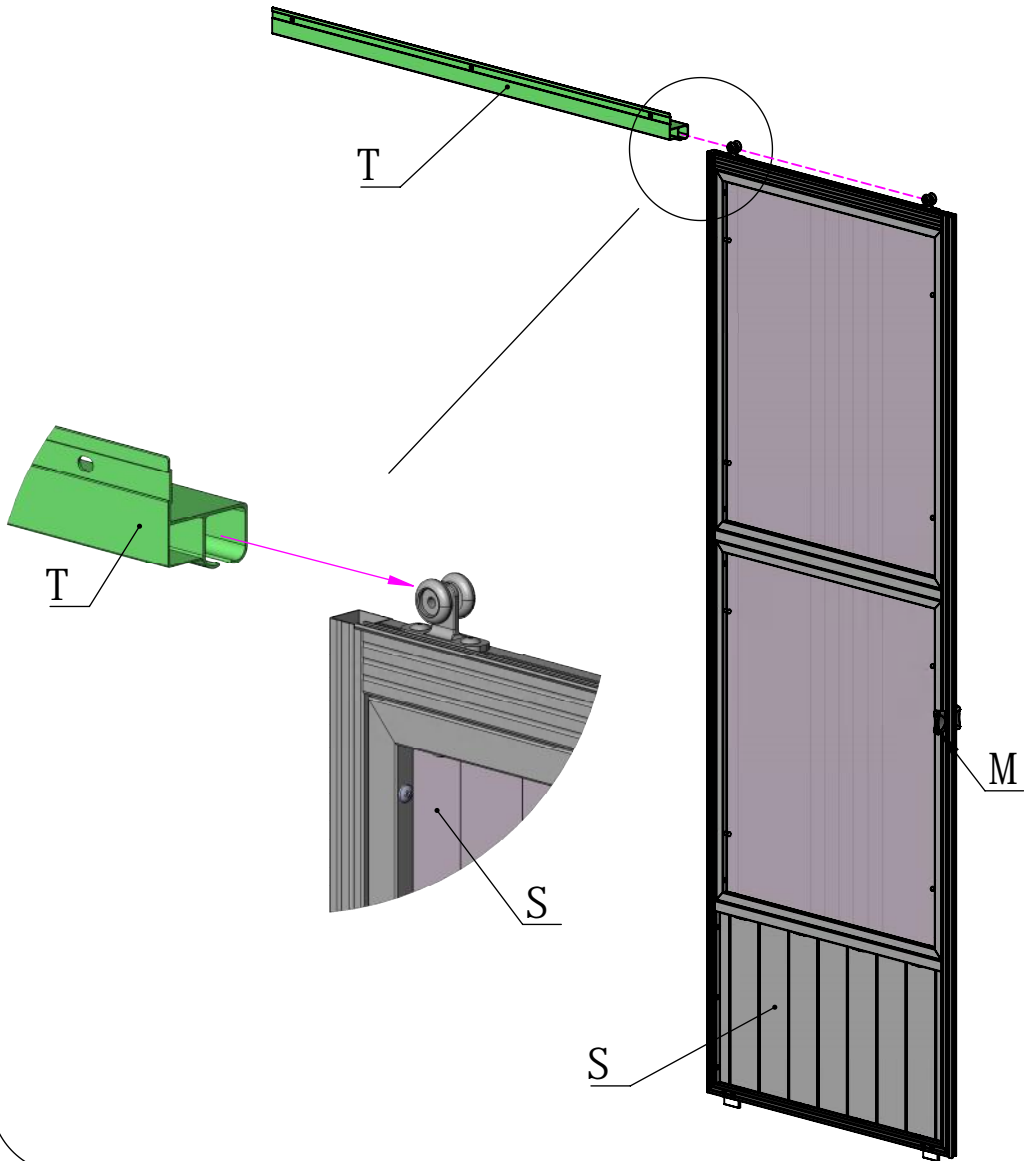




T 1X



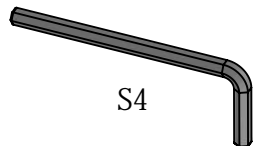
T 1X





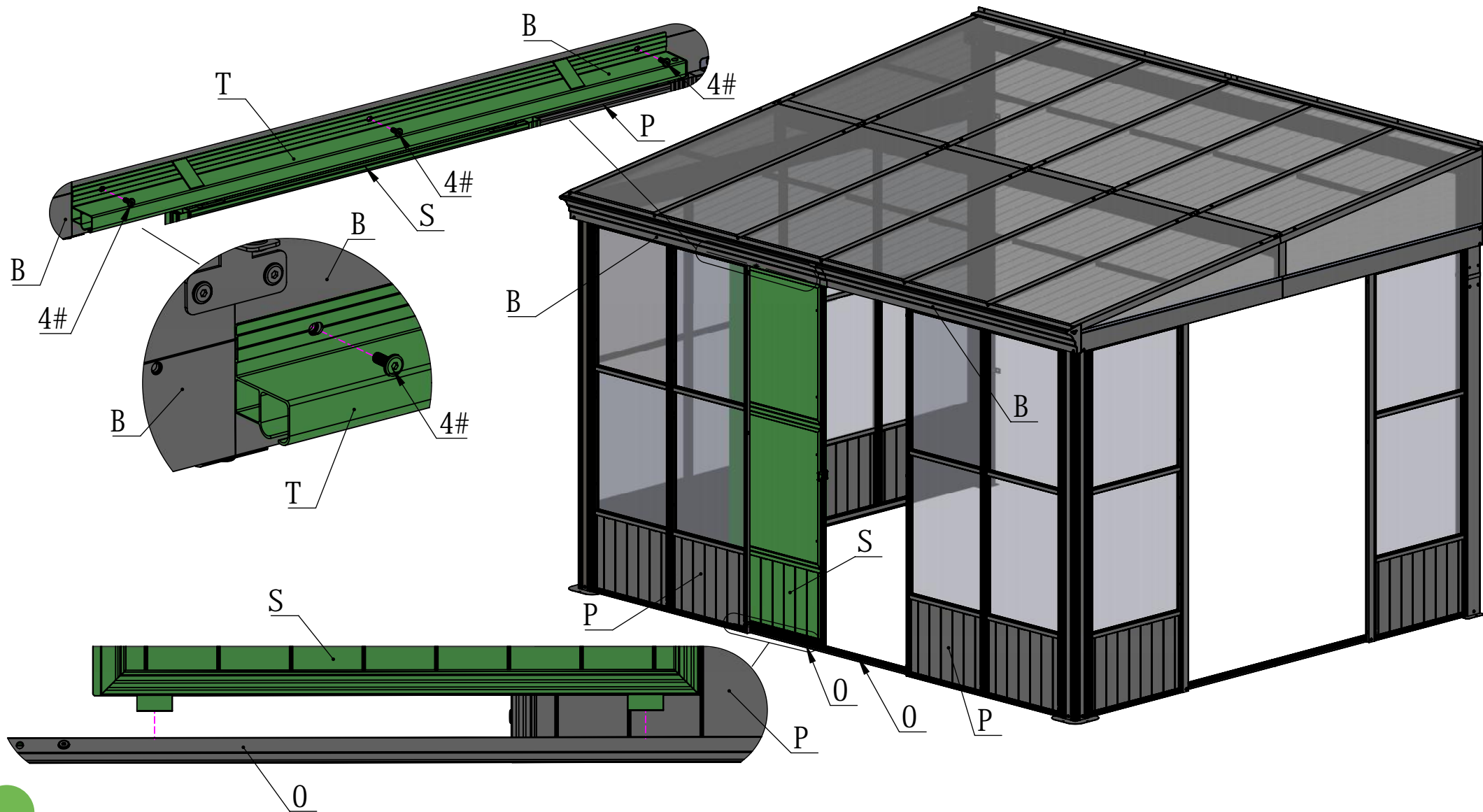
M6*16

4# 3X



S4

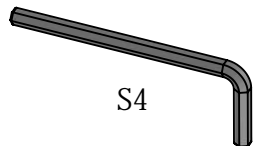
16# 1X





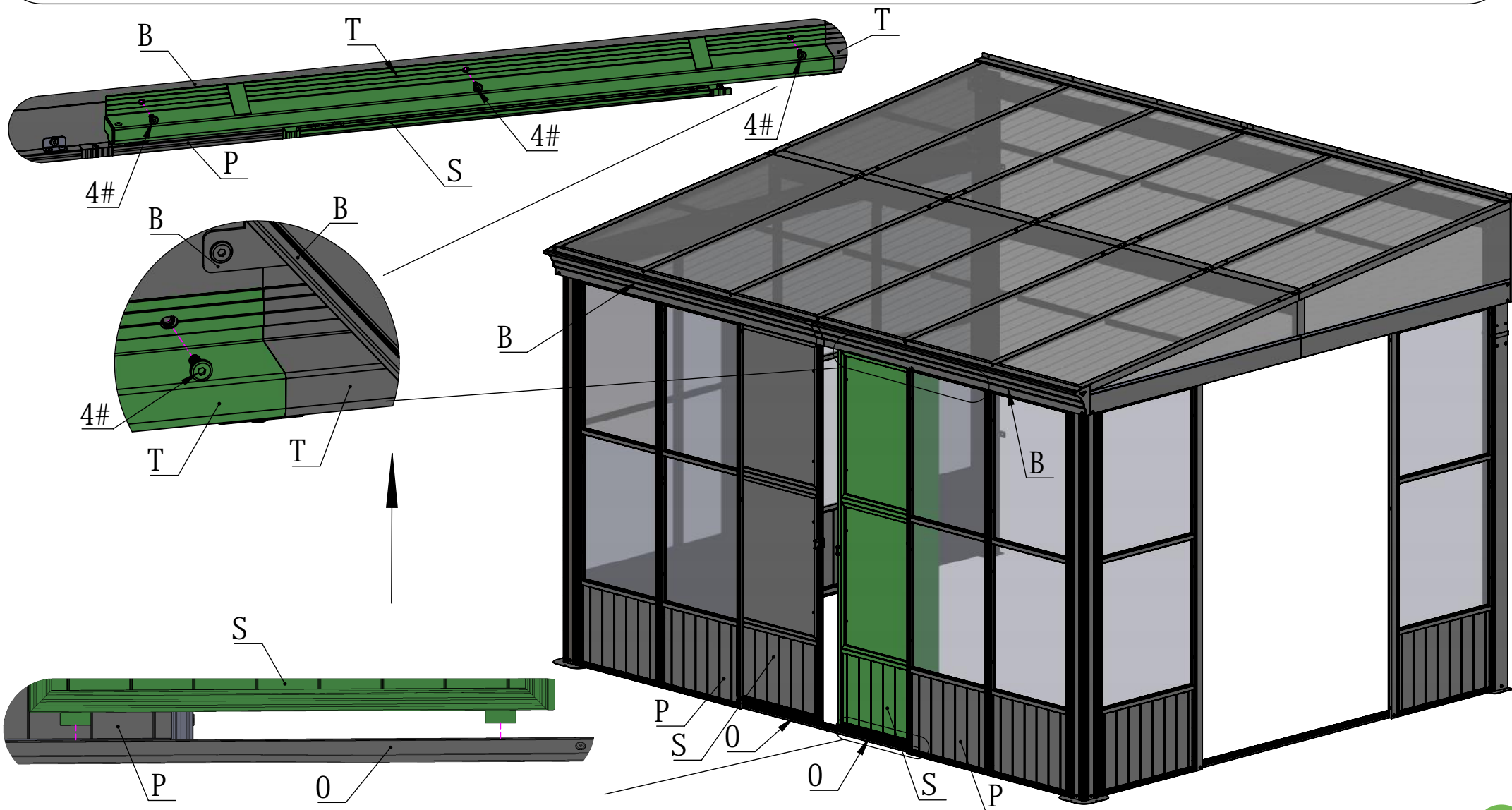
M6*16

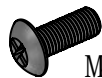
4# 3X



S4

16# 1X

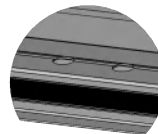
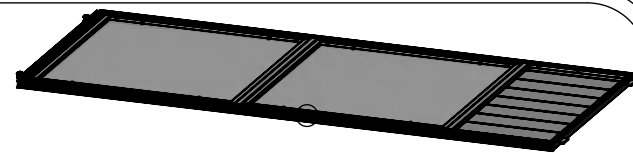
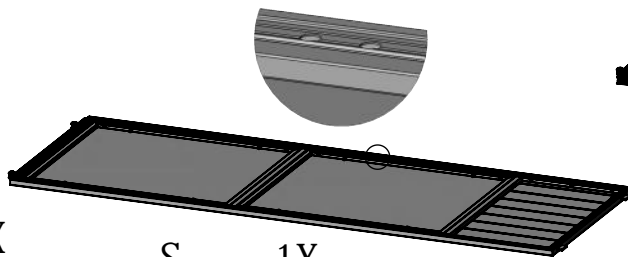




M4*10



M4



M

4X

21#

8X

22#

8X

23#

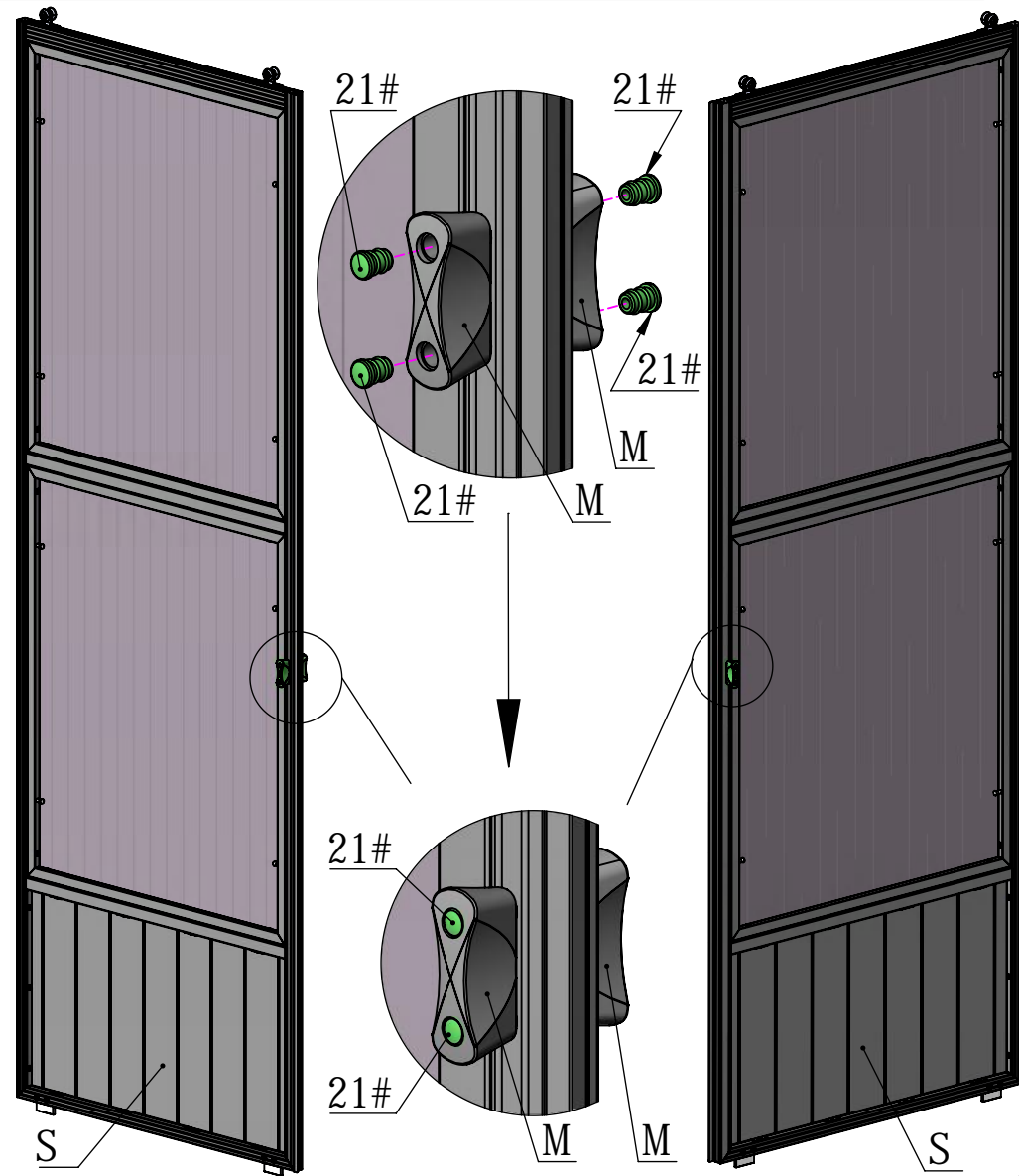
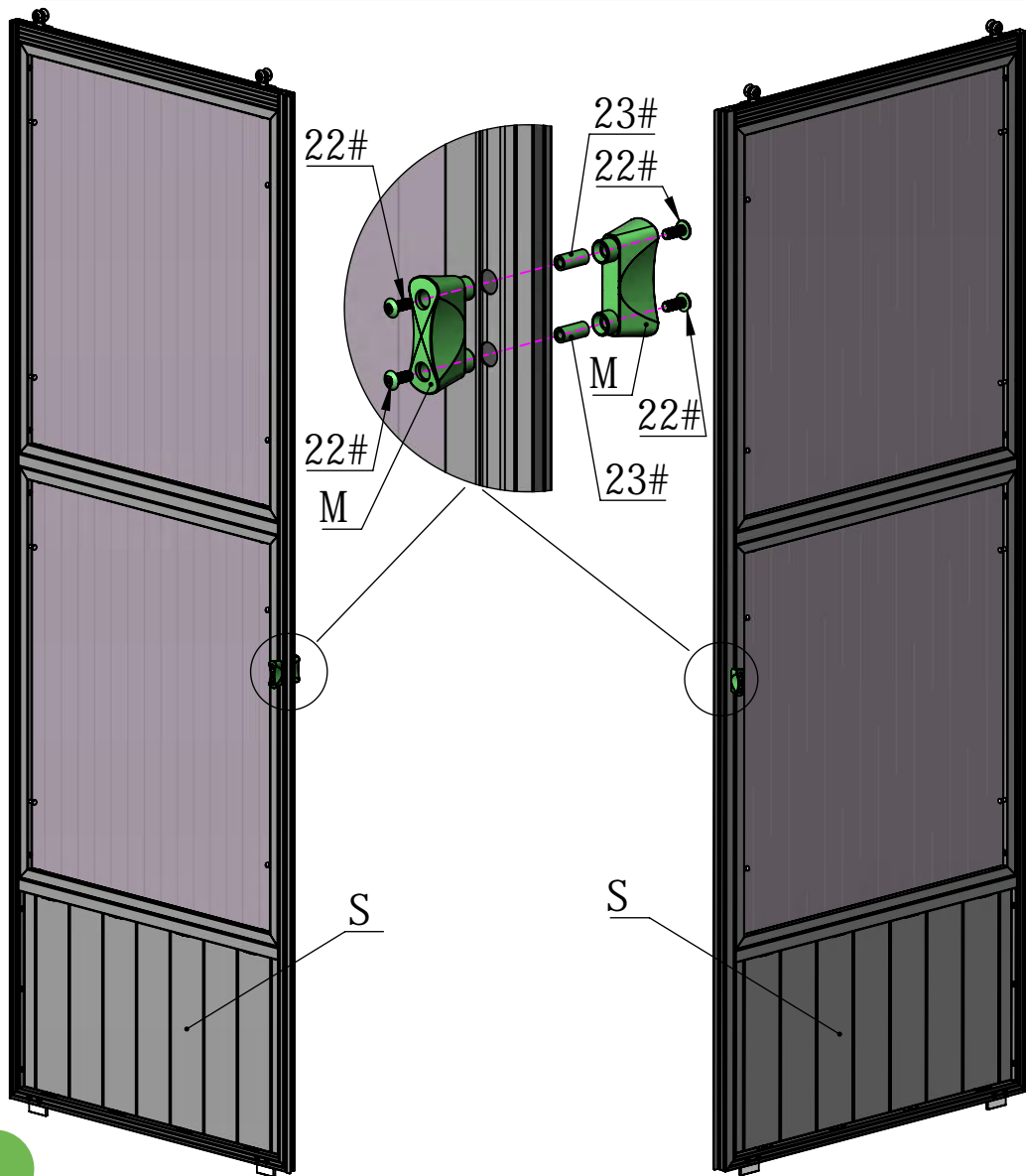
4X

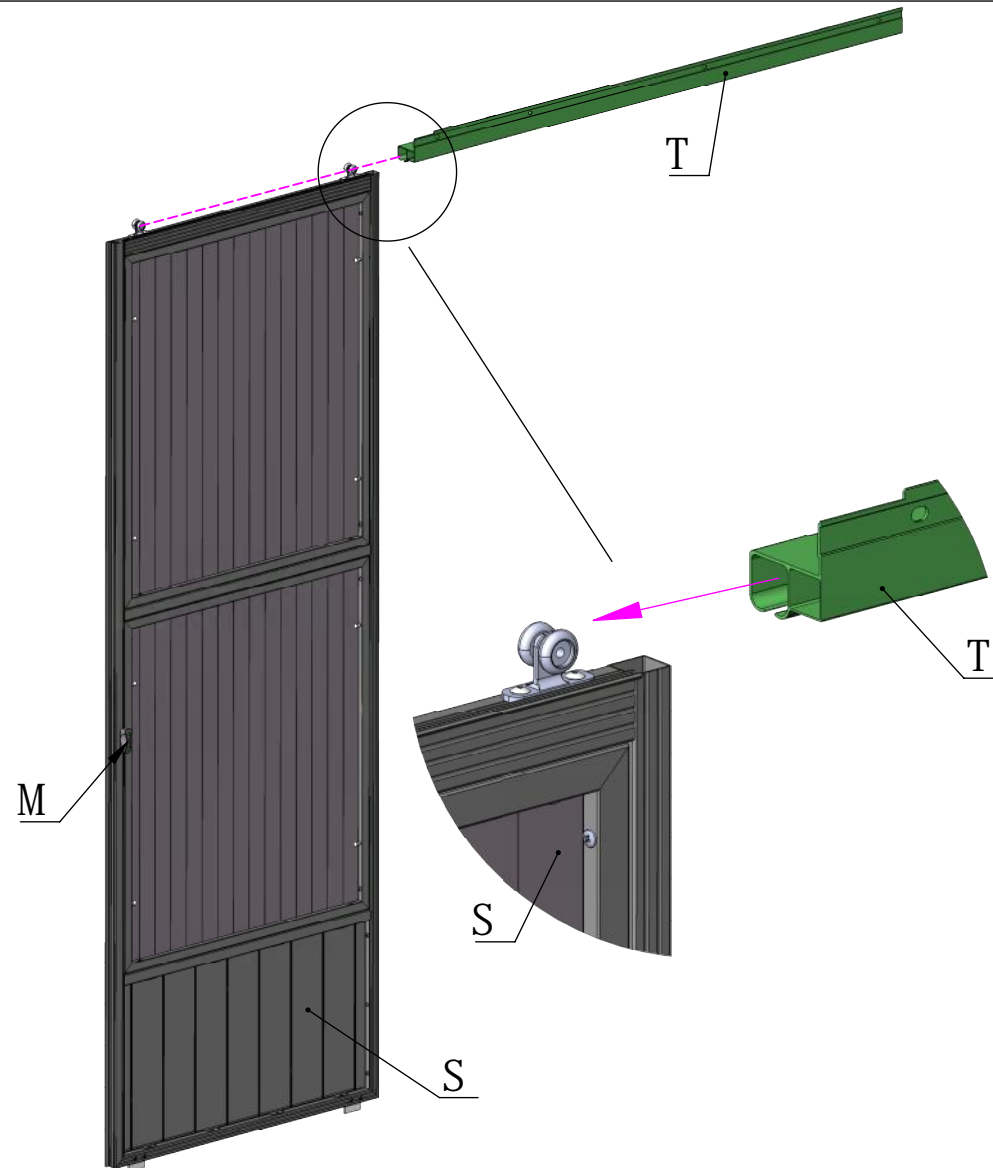
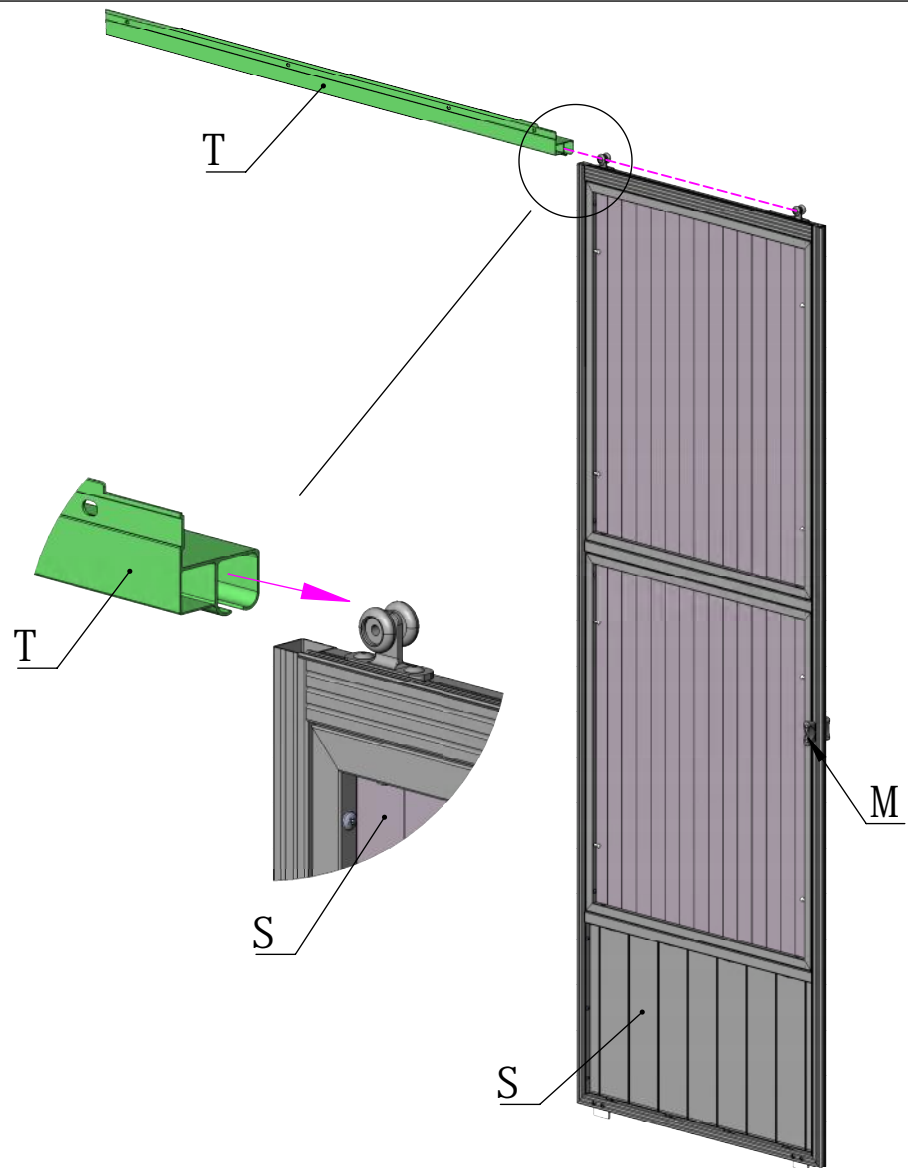
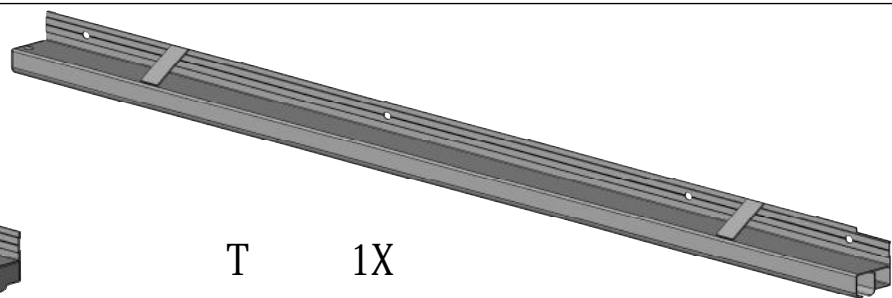
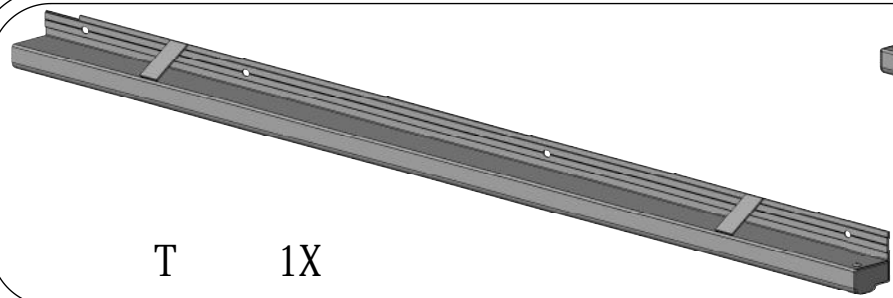
S

1X

S

1X

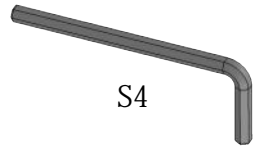






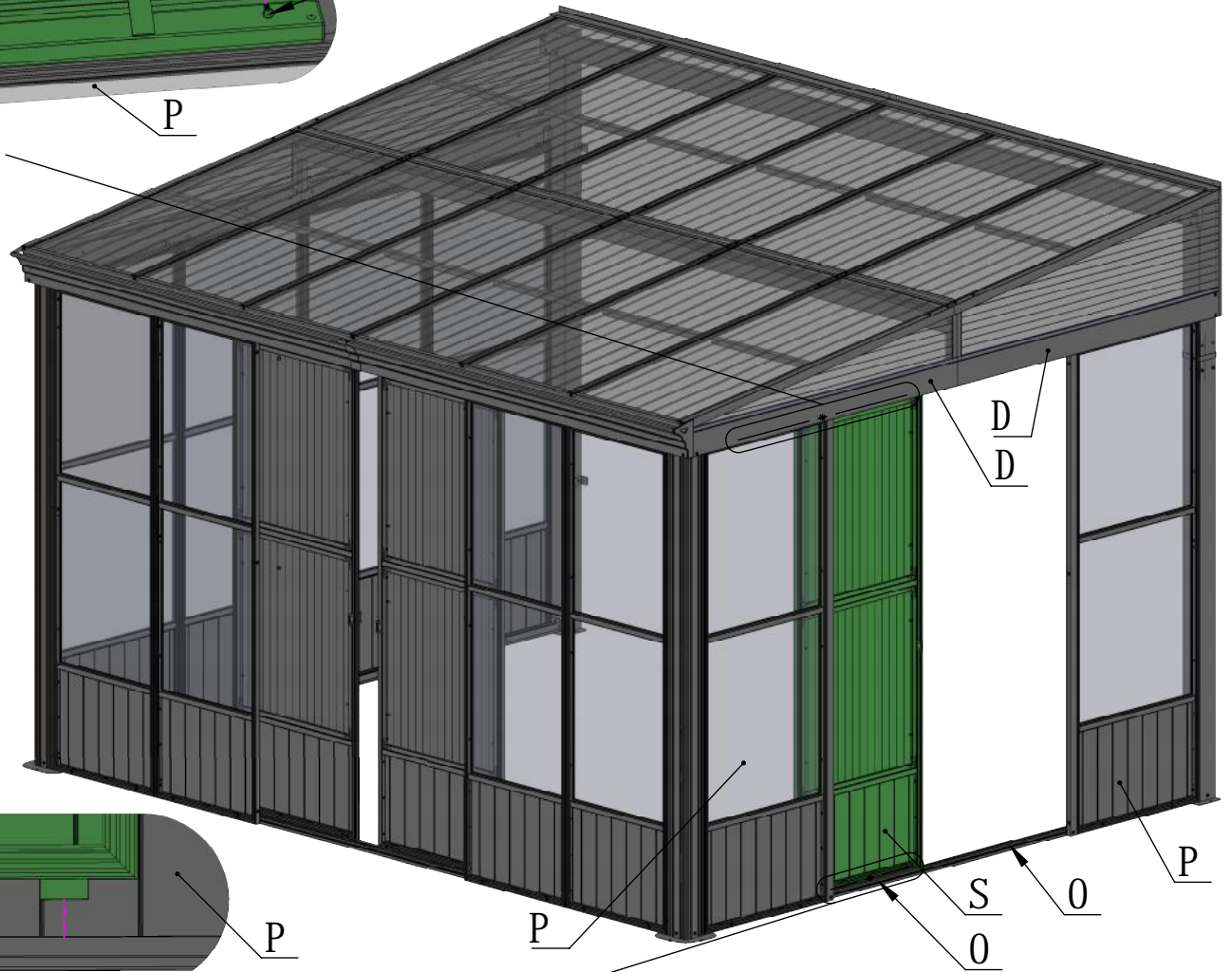
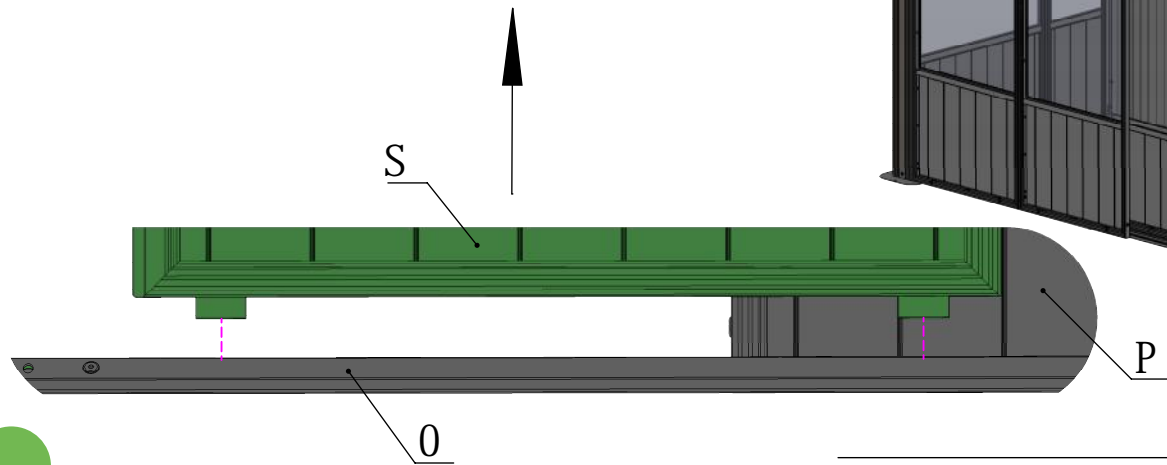
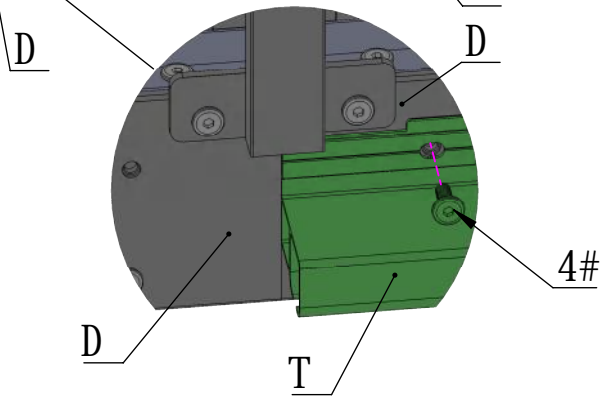
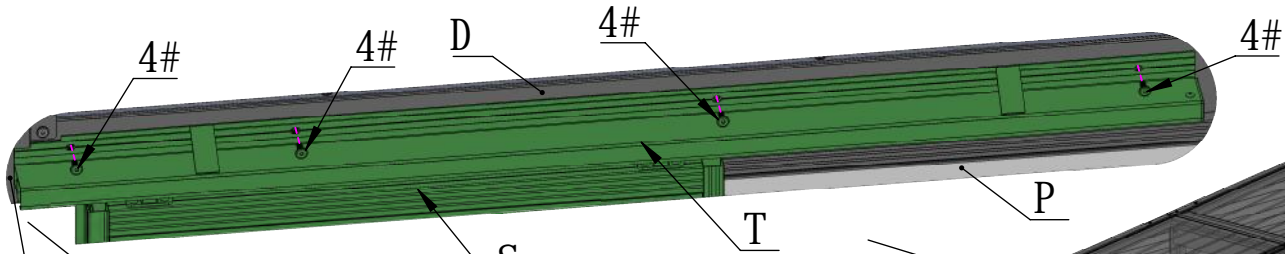
M6*16

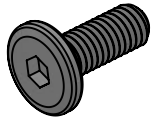
4# 4X



S4

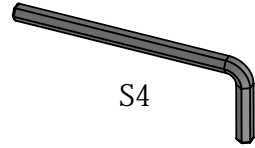
16# 1X





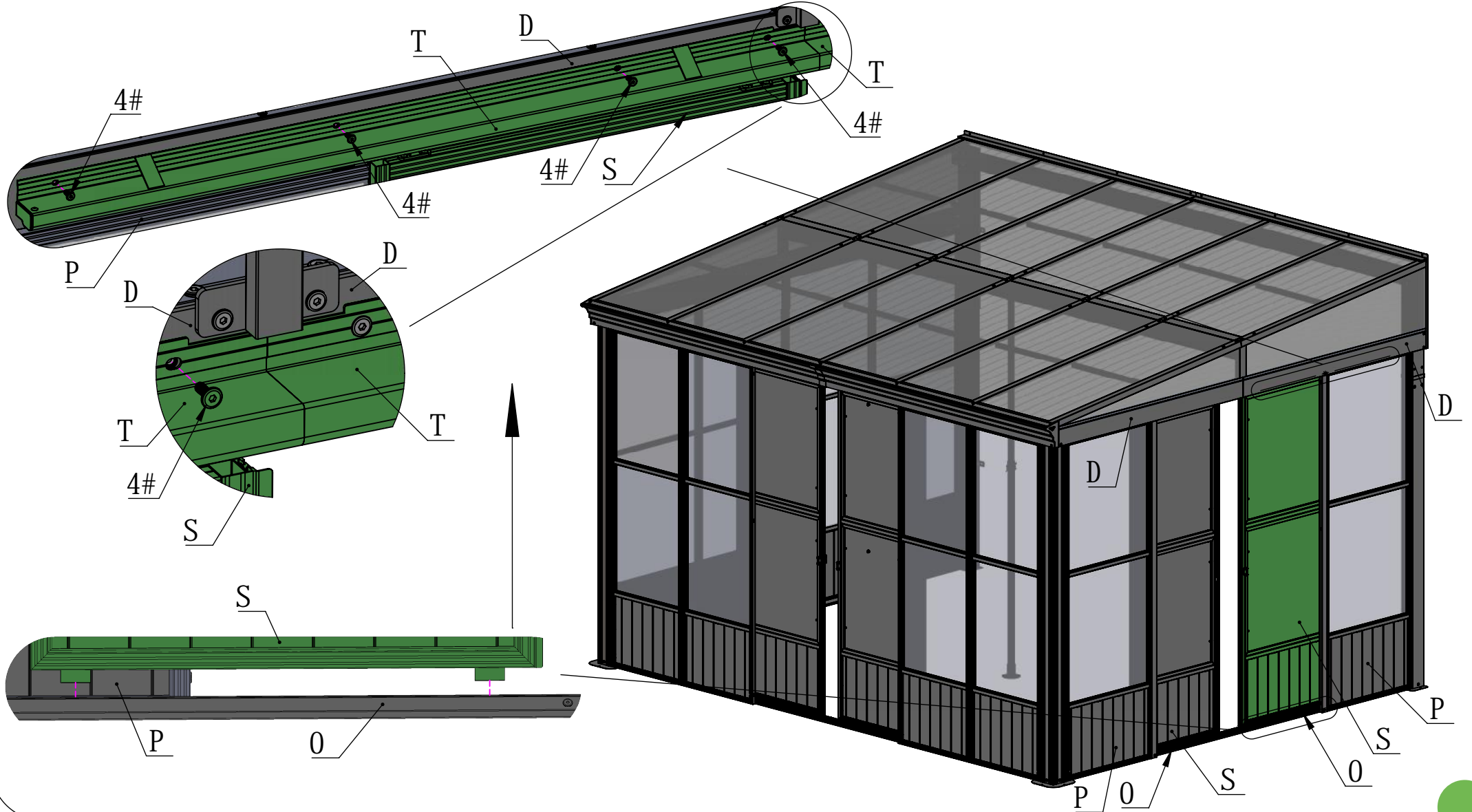
M6*16

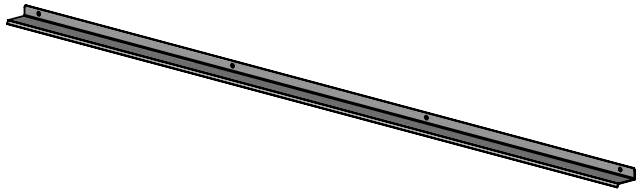
4# 4X



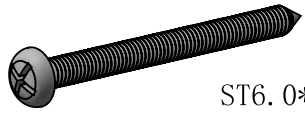
S4

16# 1X



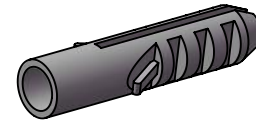


R1 2X

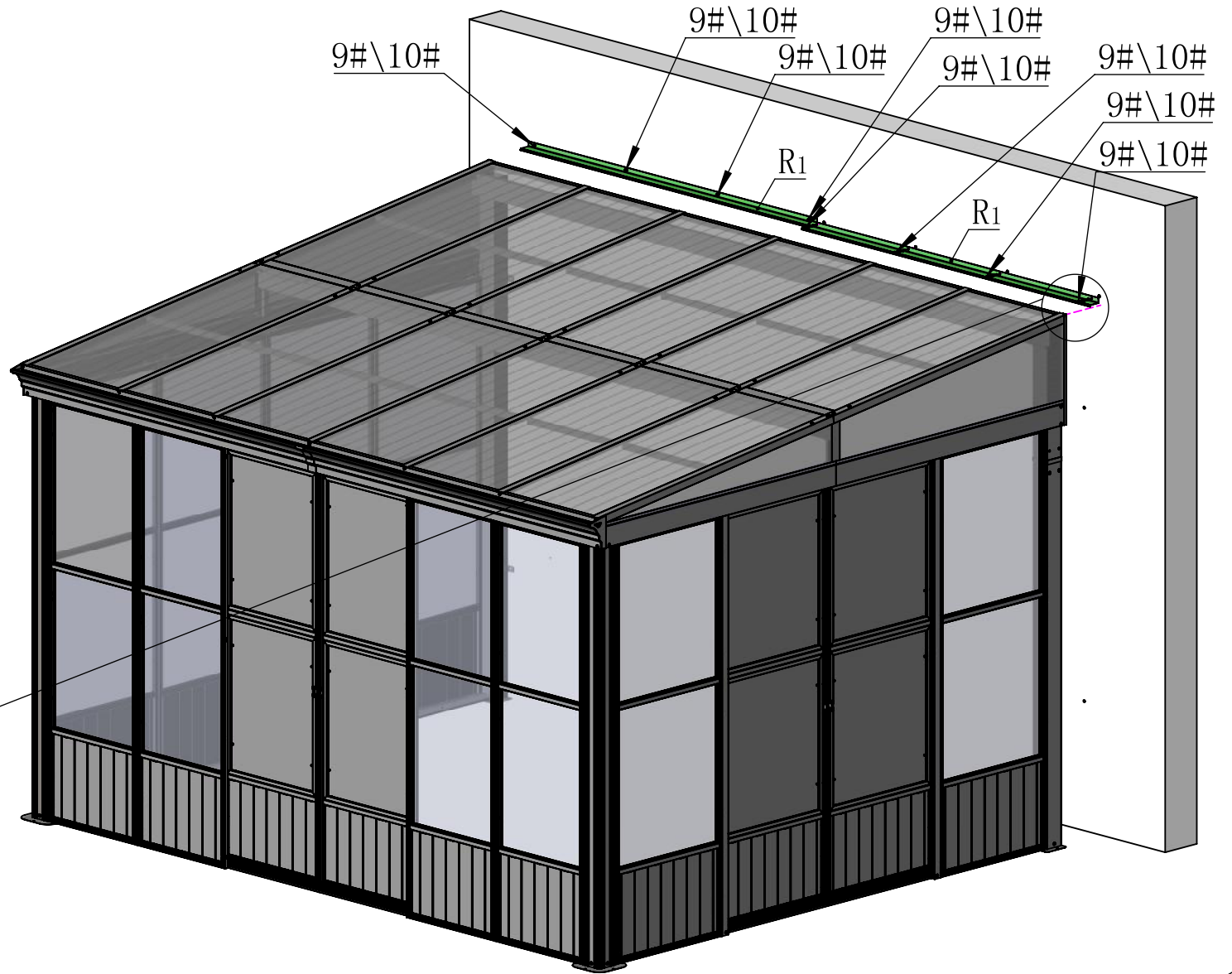
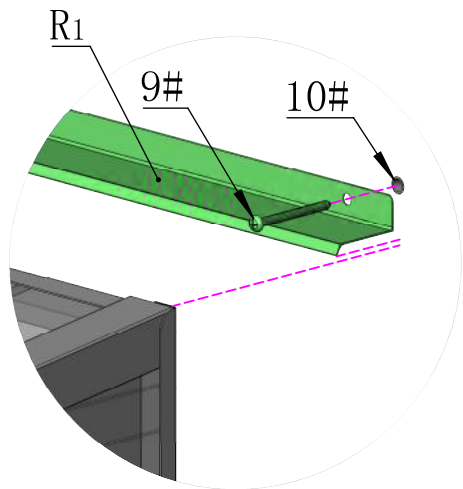
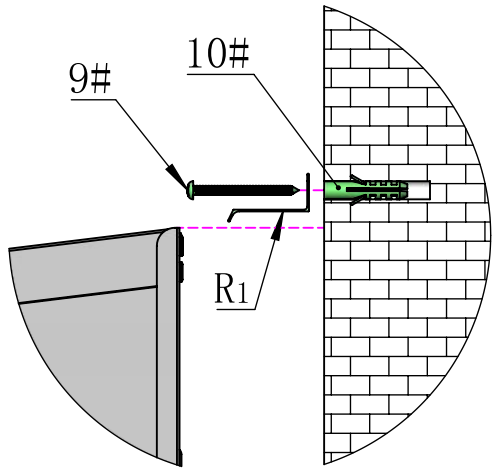


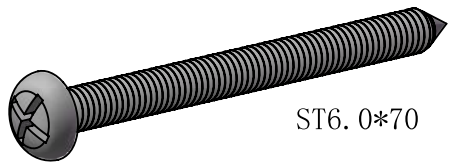
ST6.0*70

9# 8X



10# 8X

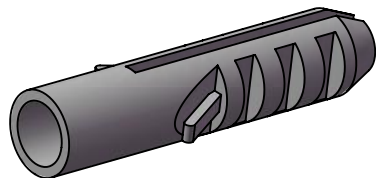




ST6.0*70

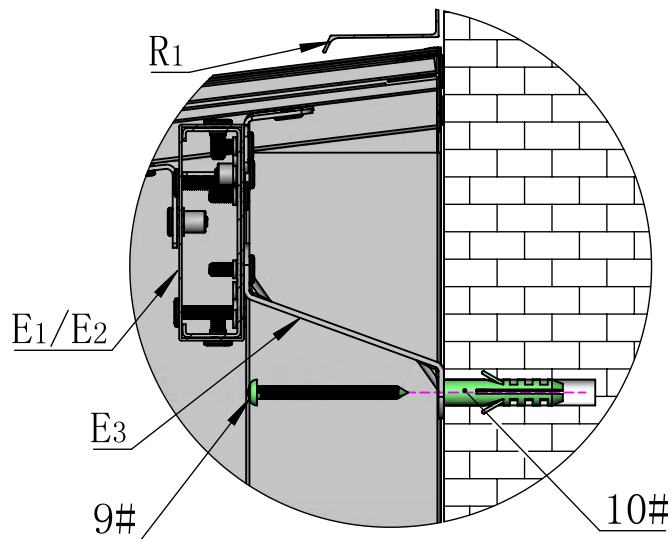
9#

6X



10#

6X



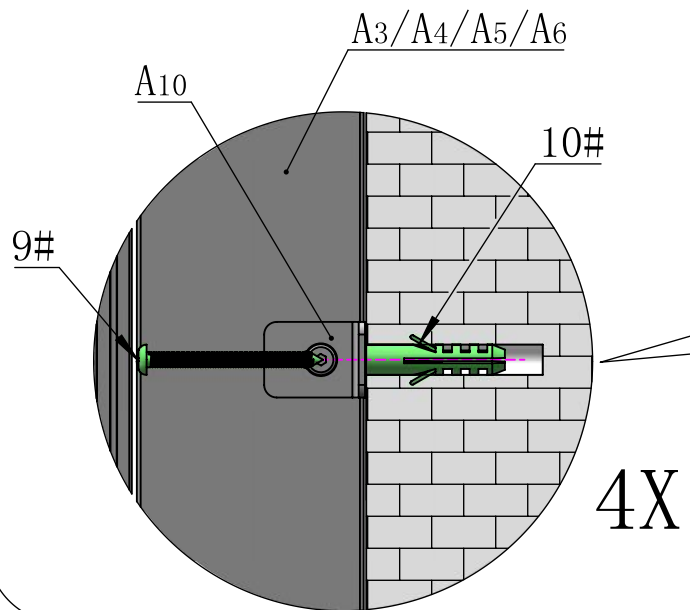
R1

E1/E2

E3

9#

10#



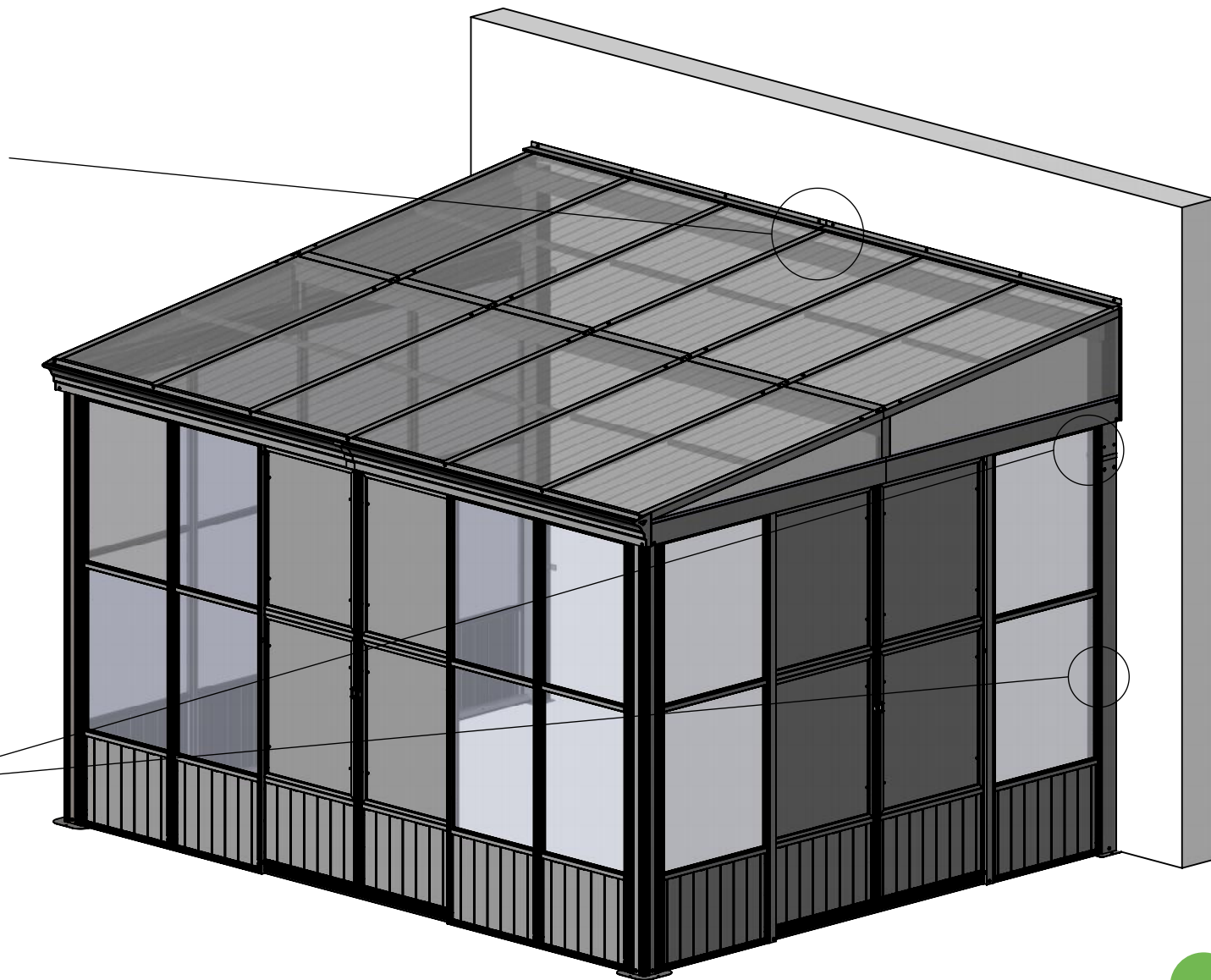
A3/A4/A5/A6

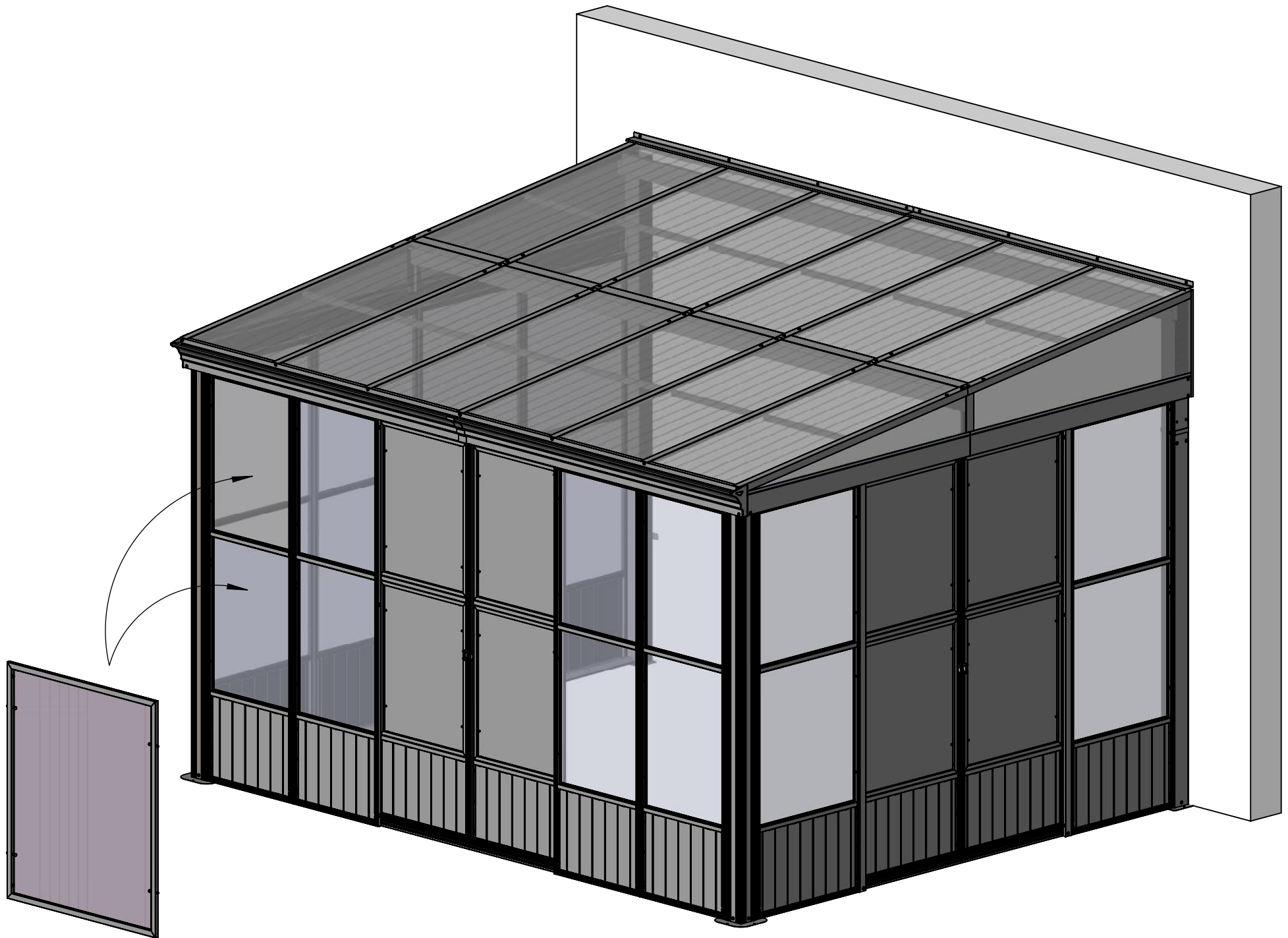
A10

10#

9#

4X





Care and Cleaning

Wash frame part with mild soap and water, rinse thoroughly.

Do not use bleach, or other solvents on the frame parts.

Please check periodically that the sunroom is anchored properly to the floor or ground to enjoy its safe usage.

Please check periodically that all screws are tight to maintain the solidity of the structure.

Please remove any snow accumulation at all times.

Warranty

Frames

Frames constructions are warranted to be free from defects in material and workmanship for 1 year from item purchased. Damage to frame from negligence won't be covered by this warranty.

Bolts & nuts

Bolts and nuts are warranted to be free from defects in material and workmanship for 1 year from item purchased. Damage from exposure to chemicals (including not only oils ,spills, fluids) won't be covered by this warranty.

Warranty Limitation

This warranty is for the original purchase order only. (Order number required). This warranty is non-transferable. Domi outdoor living is responsible for the free replacement part including shipping charges for the 1 year warranty.

Warranty Exclusion

This warranty does not cover products subject to negligence, abuse usage, inappropriate installation. Domi outdoor living reserves the right to explain warranty exclusions. When the replacement item is applied, the 1 year warranty automatically expires. Please feel free to contact us for applying warranty.

RESORT COMFORT IN YONR OWN BACKYARD

Support:  

After-sales contact email:
service@domioutdoorliving.com

Please tell us your order ID when contact.

Attach photos of damaged part for instant reply.