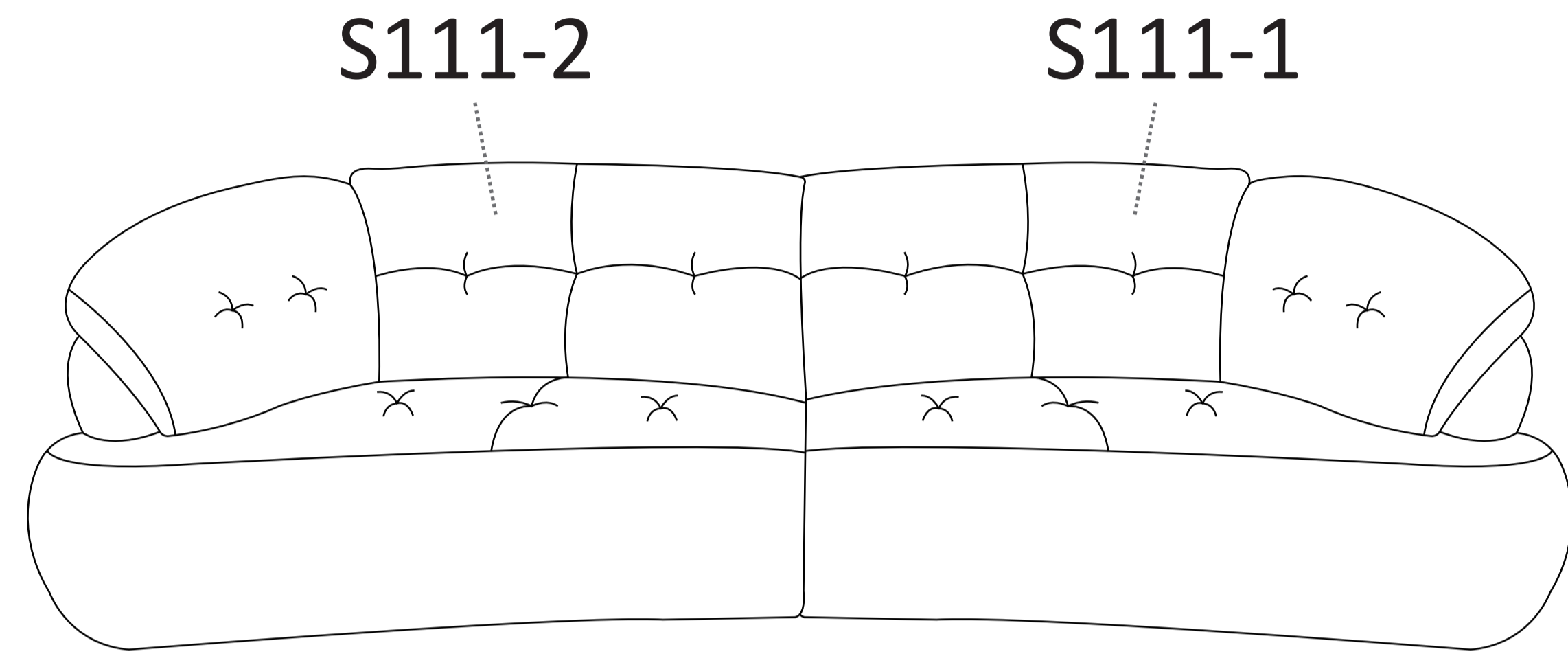
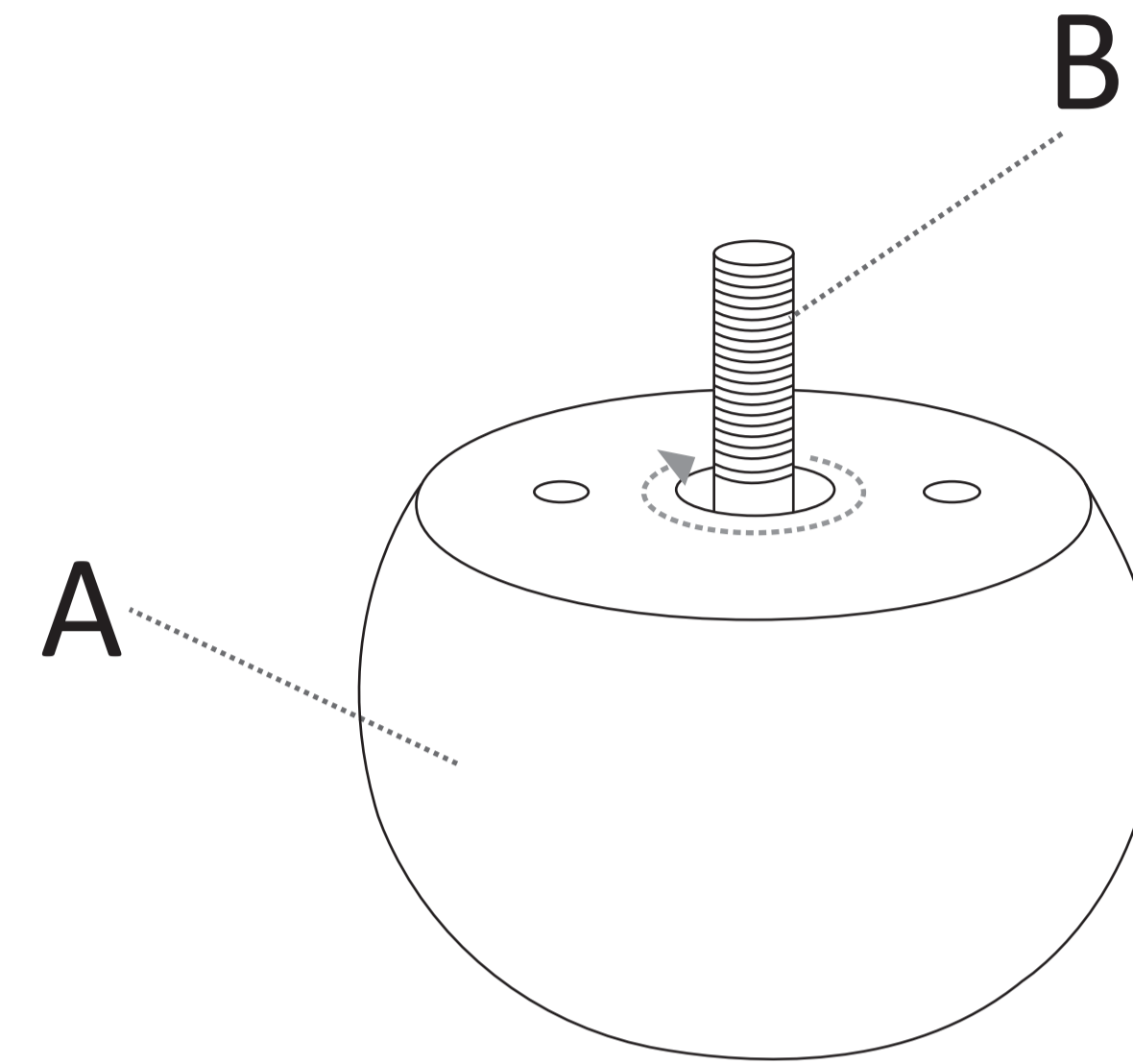


Assembly Instruction(1/2)



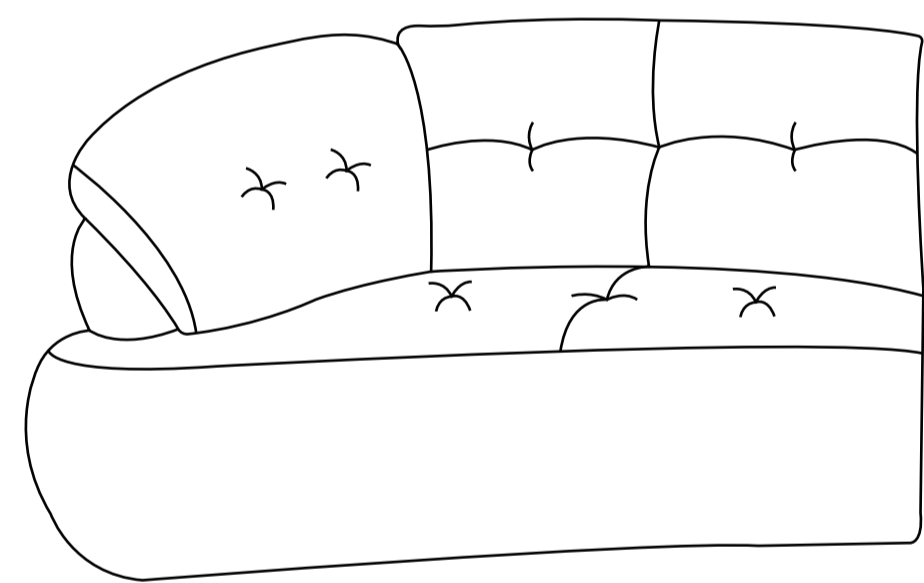
Step 2



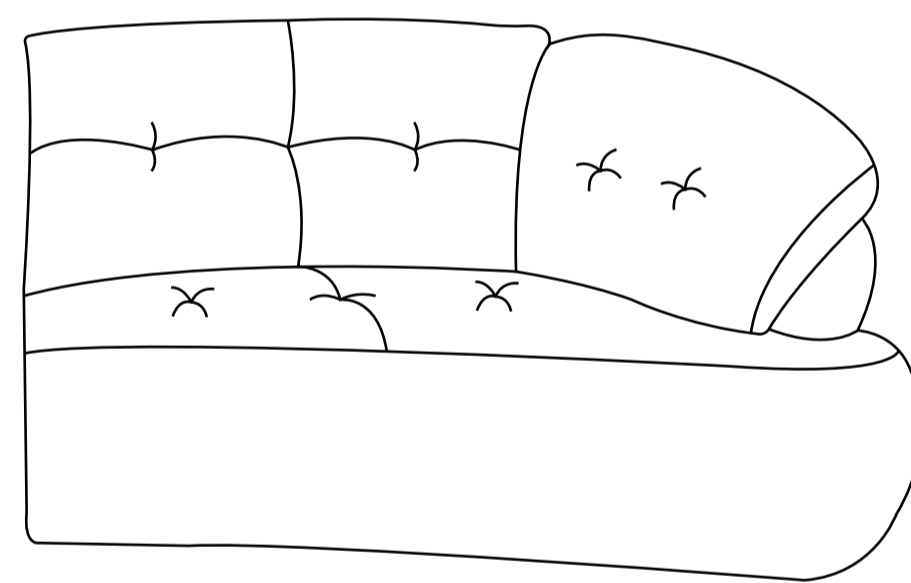
Step 1

Open the package to remove the parts, remove the remaining parts and check the quantity.

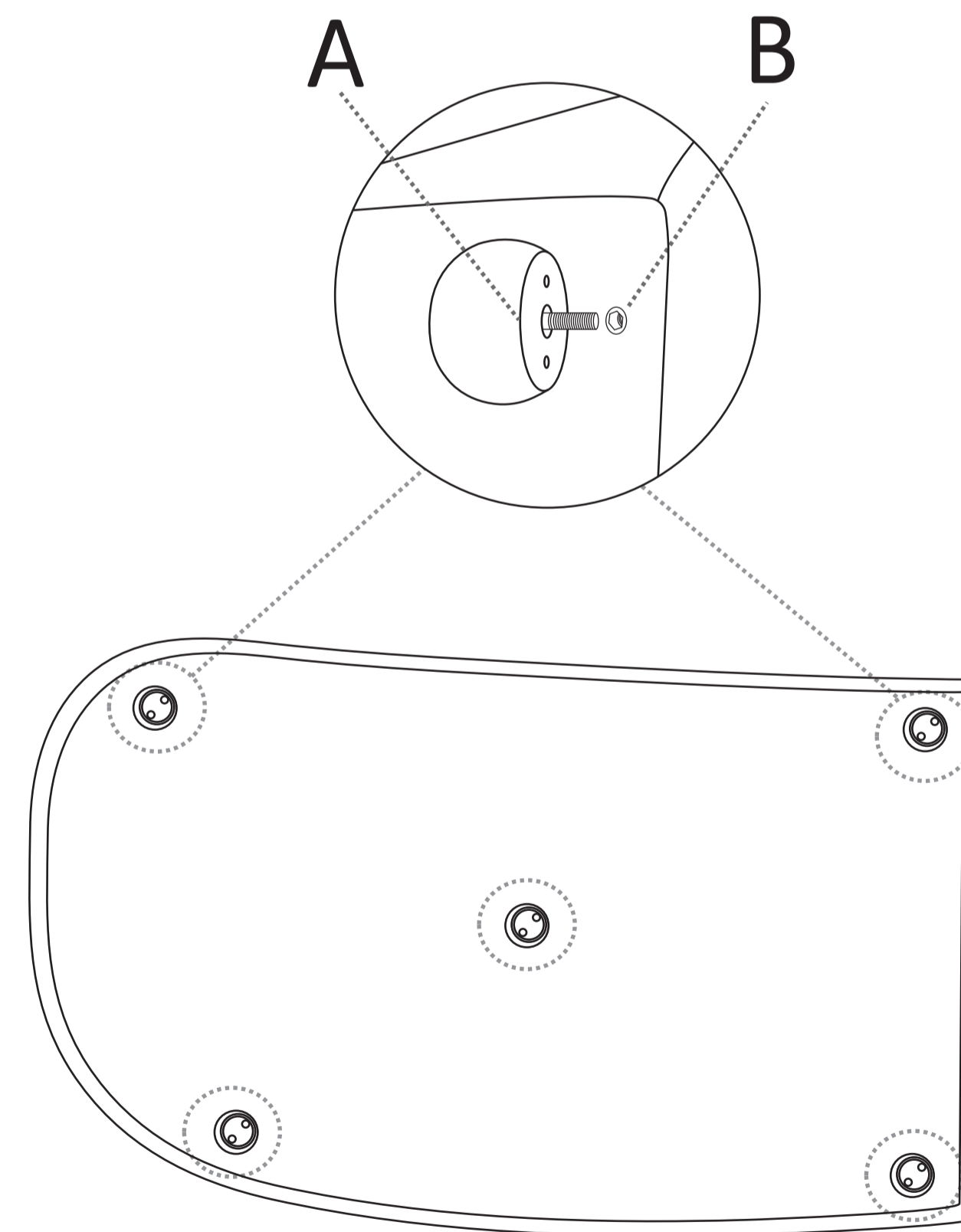
Step 3



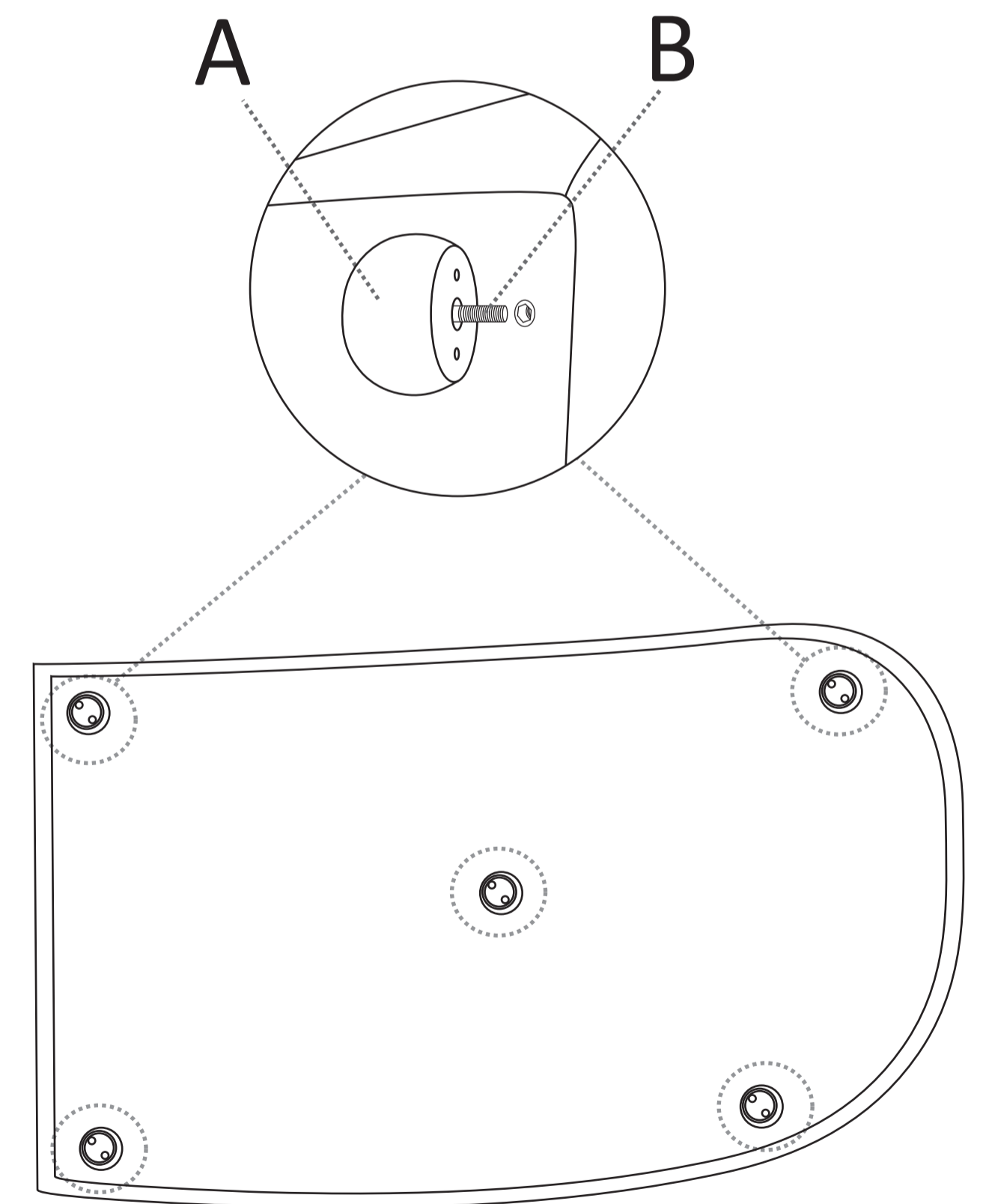
S111-2



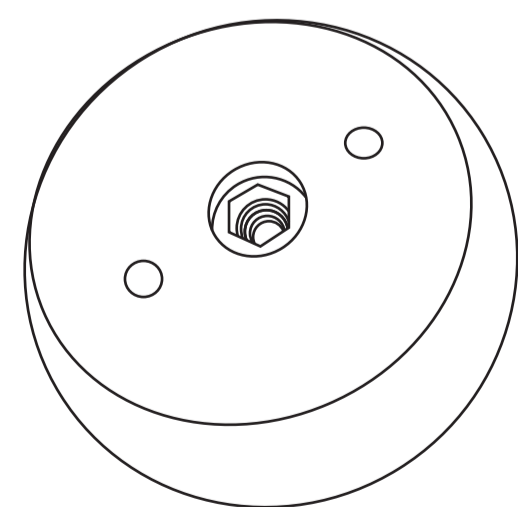
S111-1



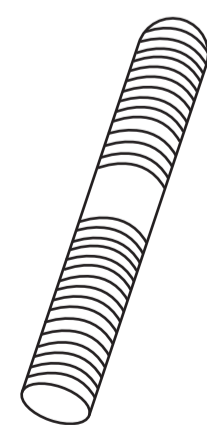
S111-2



S111-1



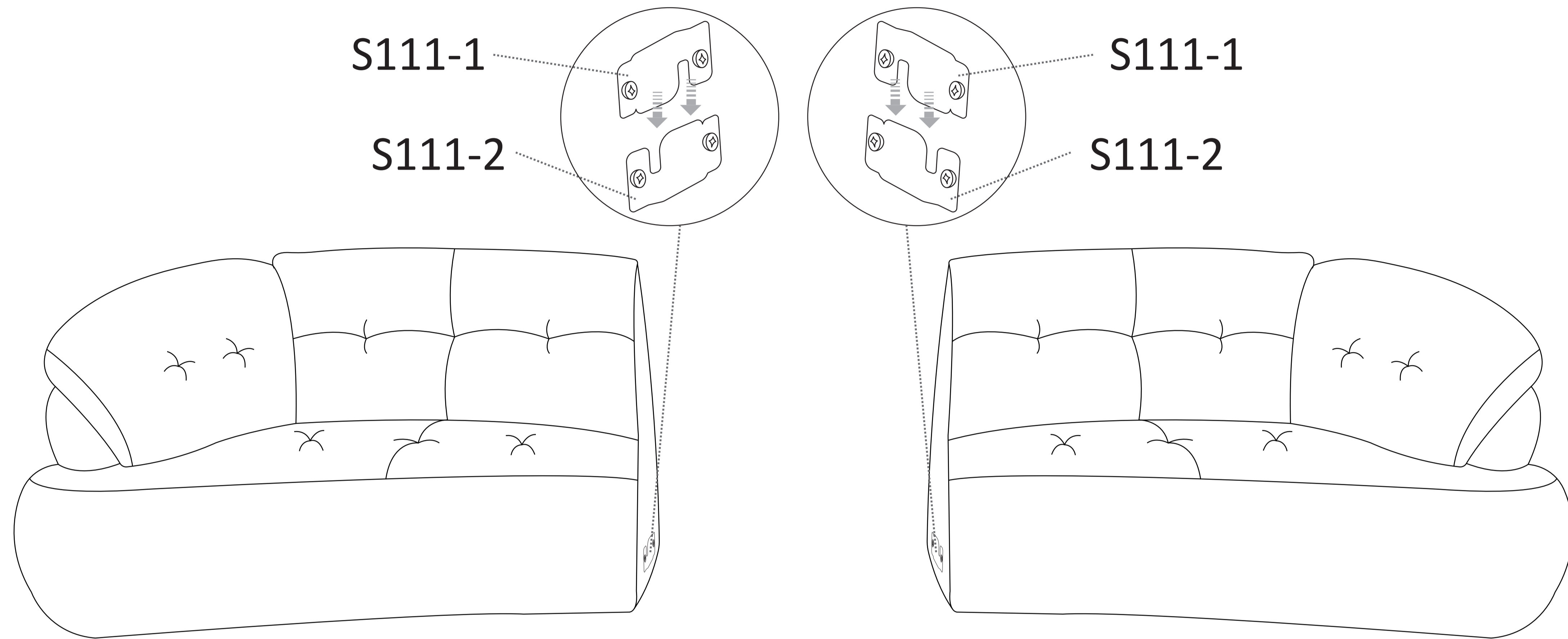
A × 10



B × 10

Assembly Instruction(2/2)

Step 4



Step 5

