

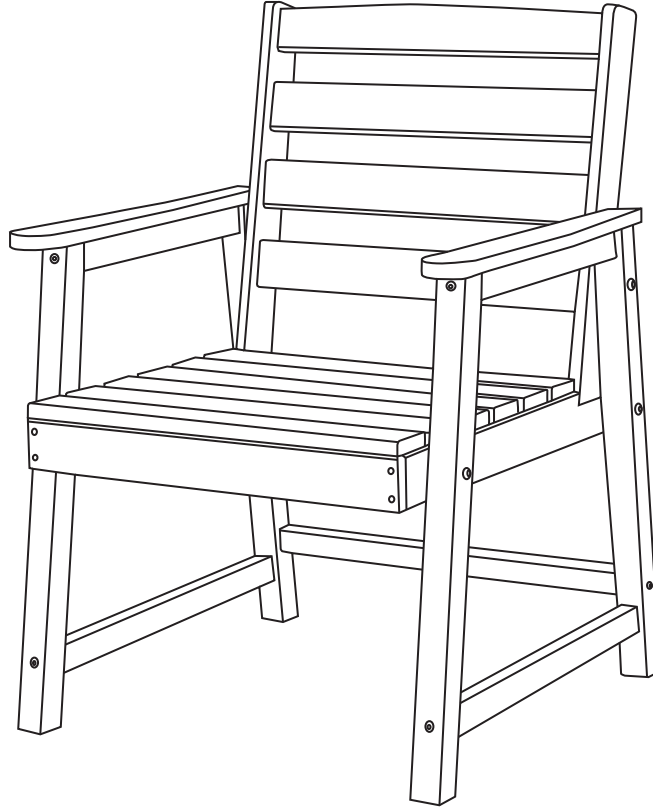
DINING CHAIR

Assembly Instructions

A403-0051

⚠ Attention

If manual installation using a hex wrench is difficult, Recommended to use electric screw tools to install.



UP TO 30 MIN.
ASSEMBLY



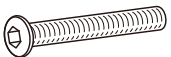
We stands behind the quality of our products. For full warranty policy, Email: service@respect.ink

Hardware & Tools

Note: The quantities below are the correct amount to complete the assembly.

1

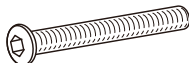
M6.3 x 60mm
Bolt



2PCS

2

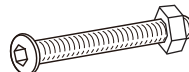
M6.3 x 70mm
Bolt



12PCS

3

M6.3 x 70mm
Bolt & Nut



4PCS

4

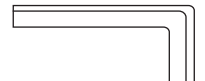
Spanner



1PC

5

Allen key

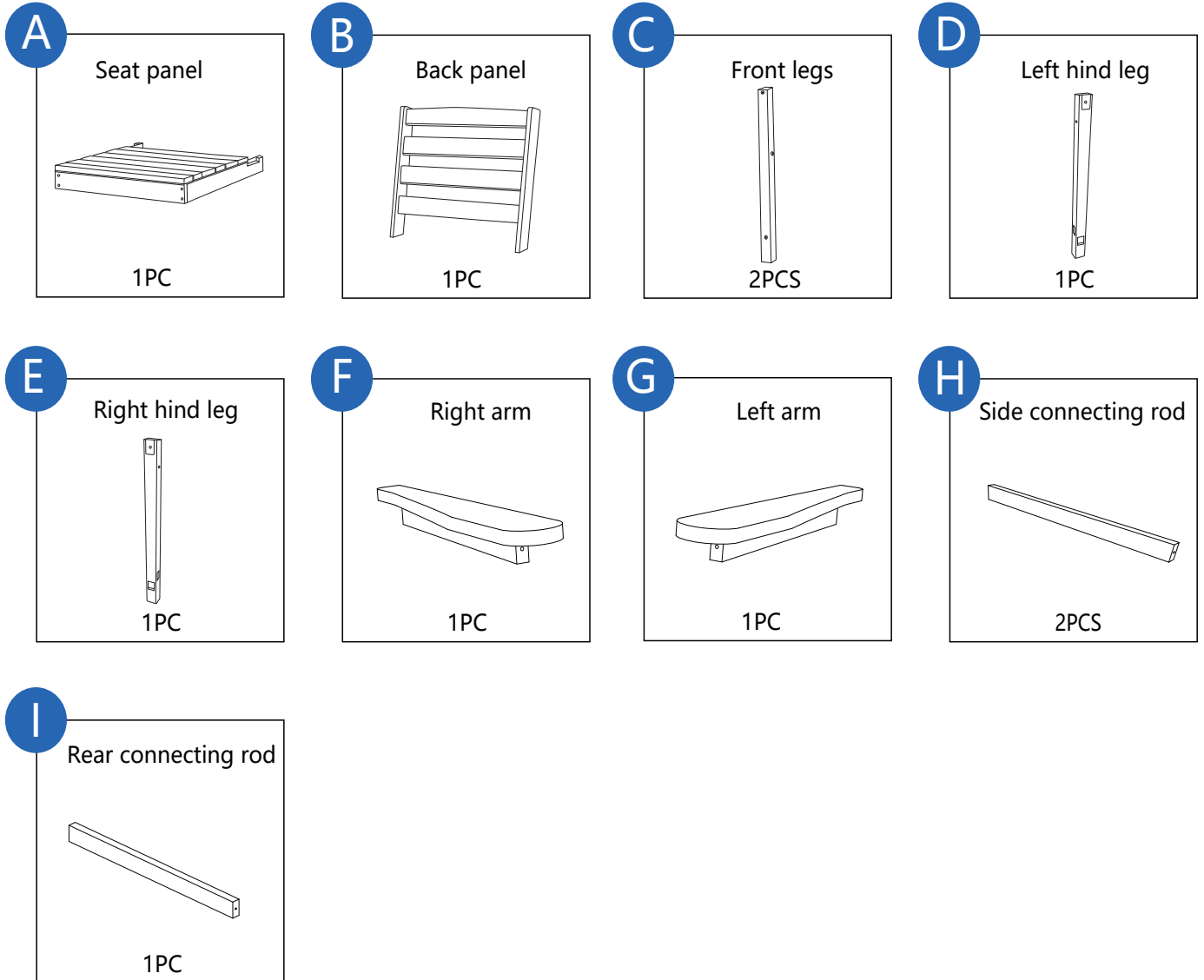


1PC

Components

! Caution: Please do not over-tighten bolts and screws during assembly.

Note: The illustration of the chair shows the exact position of each part. Check when assembling.

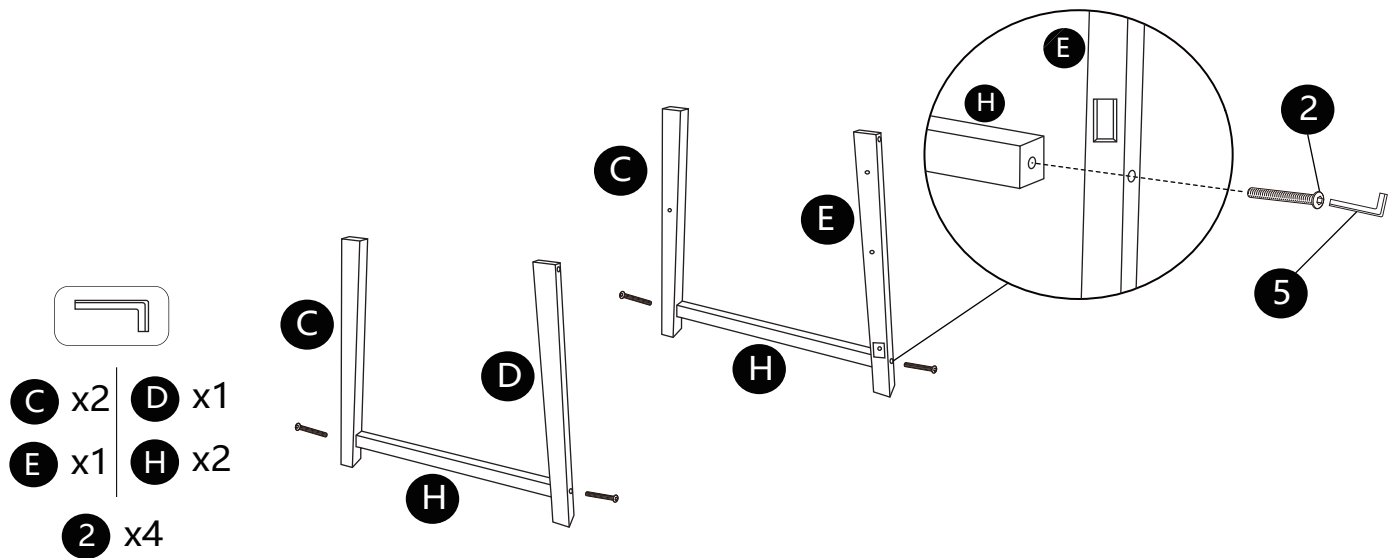


Assembly Instructions

If you need help or have damaged or missing parts please email: service@respect.ink

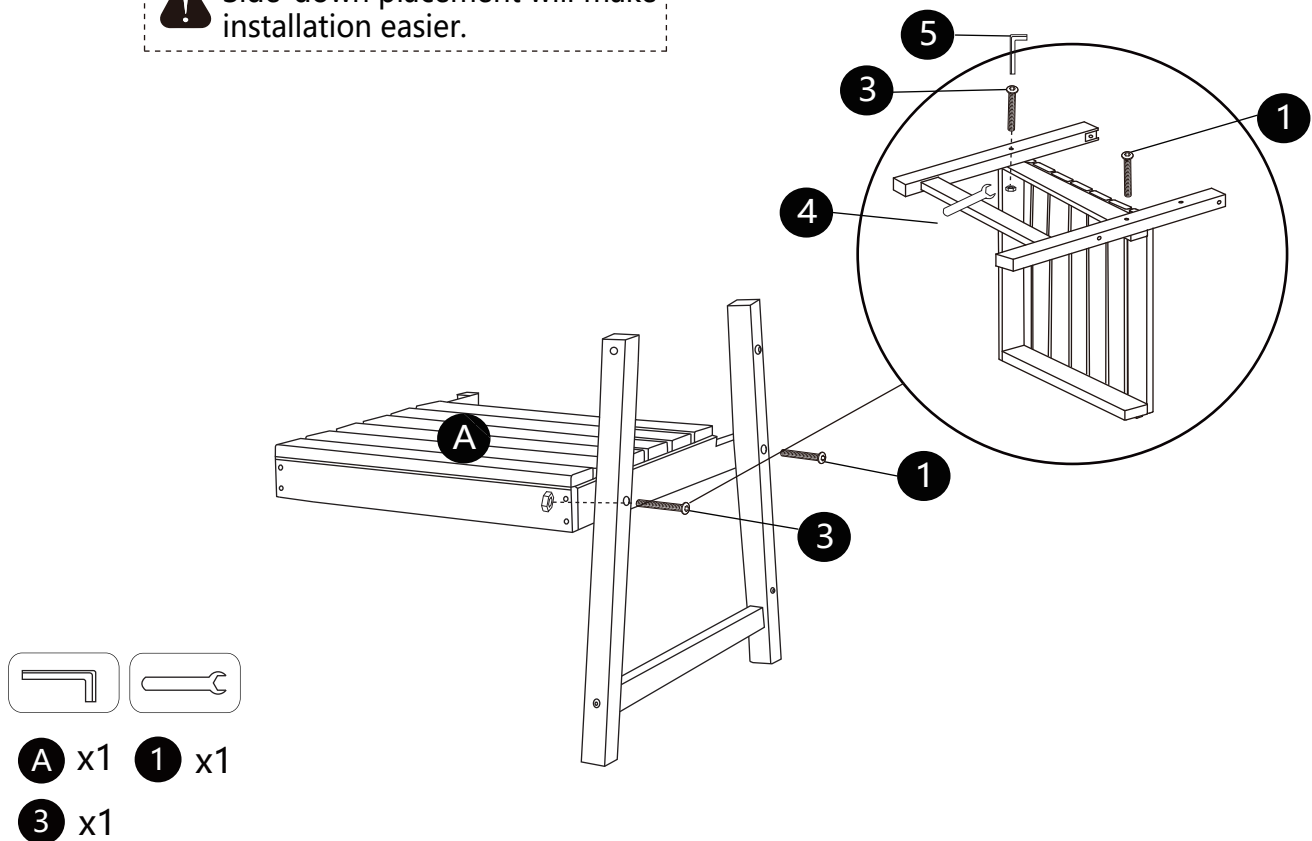
Important - Please read these instructions fully before starting assembly

STEP 1



STEP 2

! Side-down placement will make installation easier.




Assembly Instructions

If you need help or have damaged or missing parts please email: service@respect.ink

Important - Please read these instructions fully before starting assembly

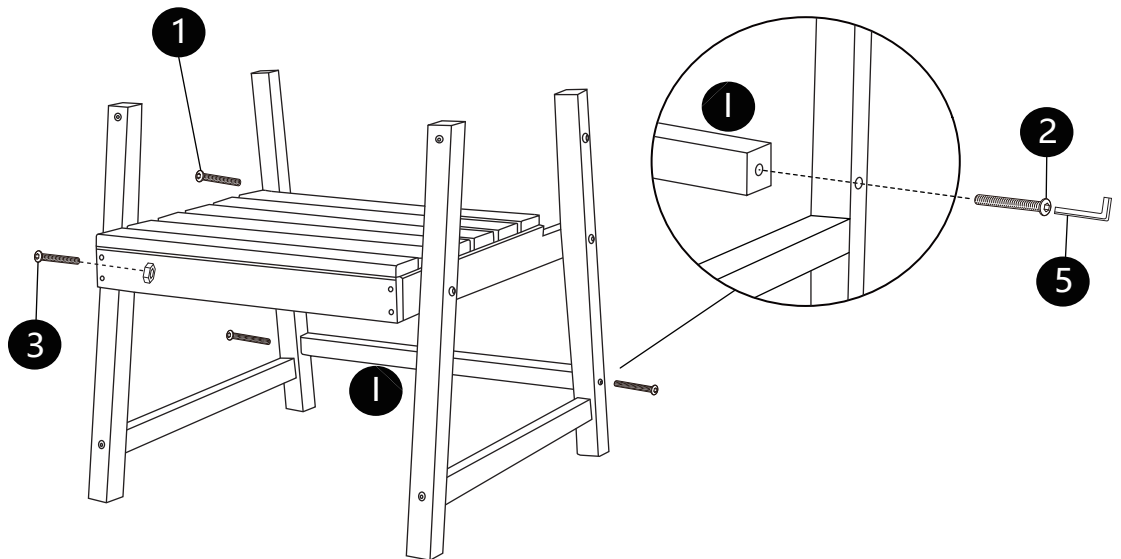
STEP3

 Side-down placement will make installation easier.

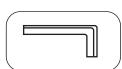


1 x1 **2** x2

1 x1 **3** x1



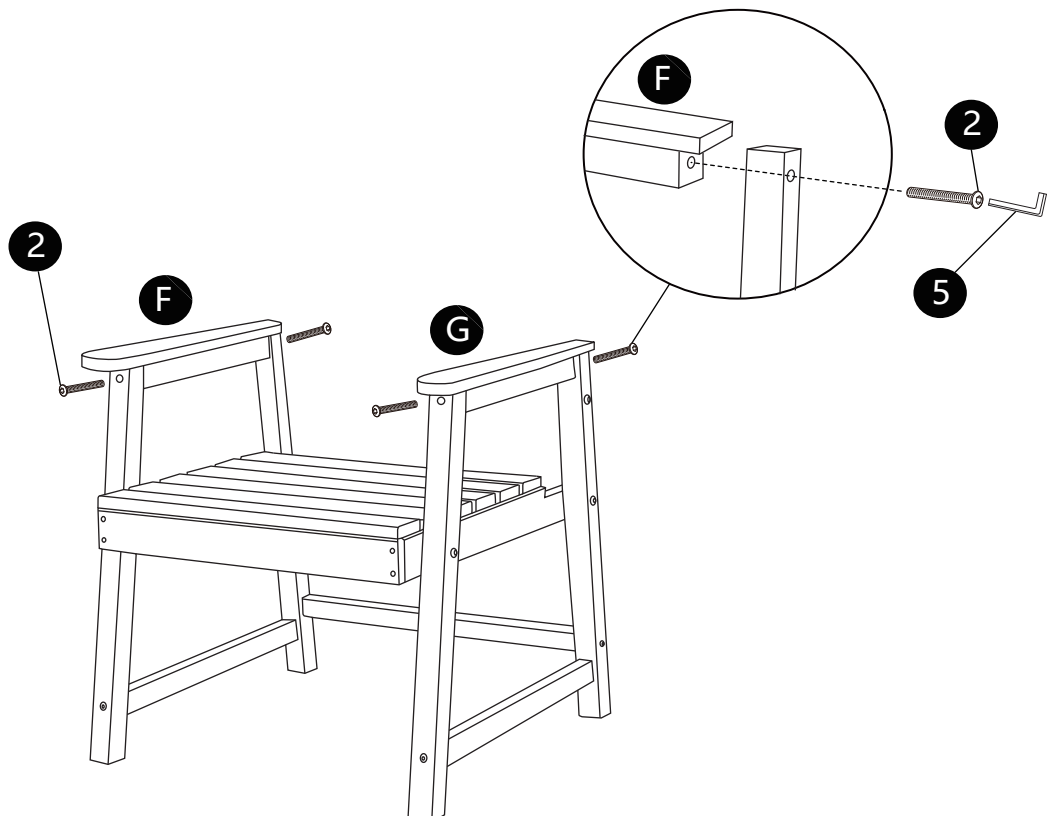
STEP4



F x1

G x1

2 x4

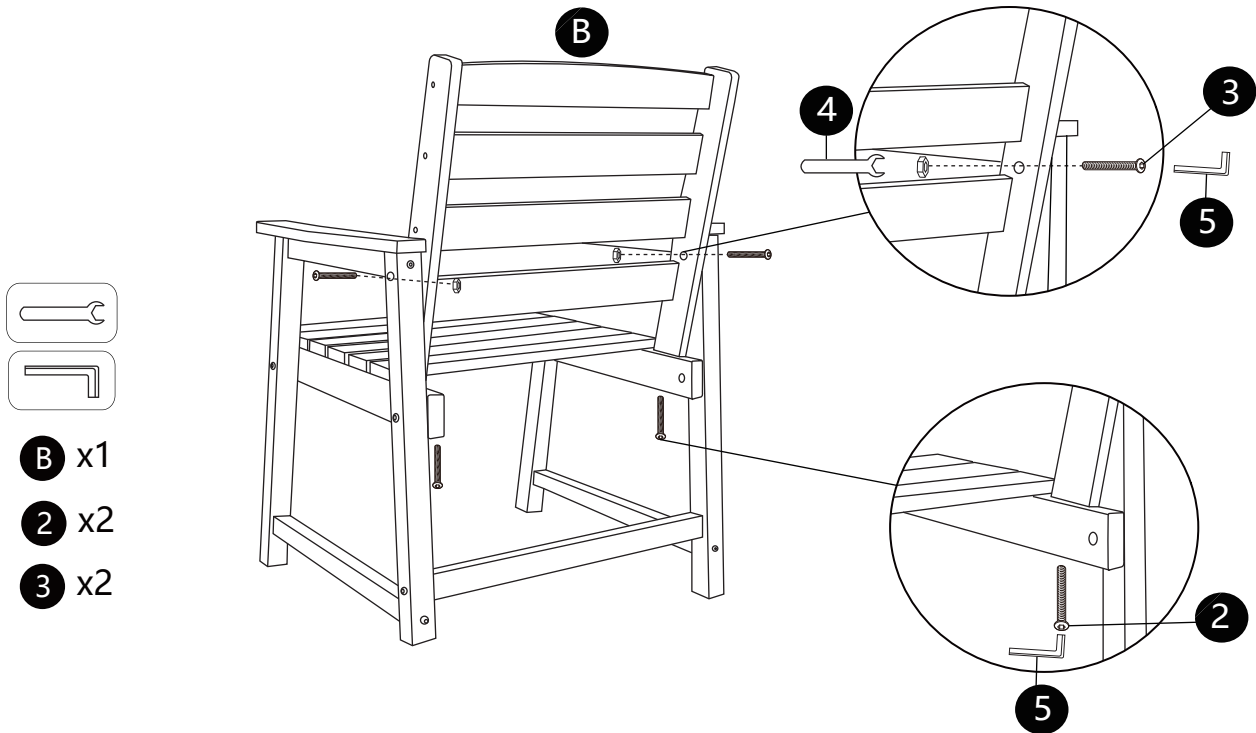


Assembly Instructions

If you need help or have damaged or missing parts please email: service@respect.ink

Important - Please read these instructions fully before starting assembly

STEP 5



Assembly Instructions

If you need help or have damaged or missing parts please email: service@respect.ink

Attention

We will provide our best customer support.

If you have any questions or issues during installation, please send an email with your telephone number and address. We will provide installation support, guided videos and offer reissues for any defective parts.

All queries will be addressed within 24 hours.

Customer satisfaction is of the utmost importance to us!