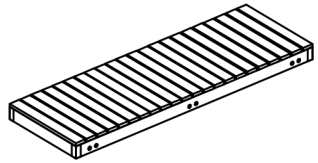
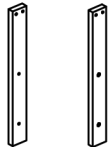


ASSEMBLY INSTRUCTION

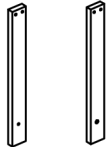
(A)
THE FRAME TOP x 01 PC



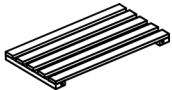
(B)
THE LEGS #1 x 04 PCS



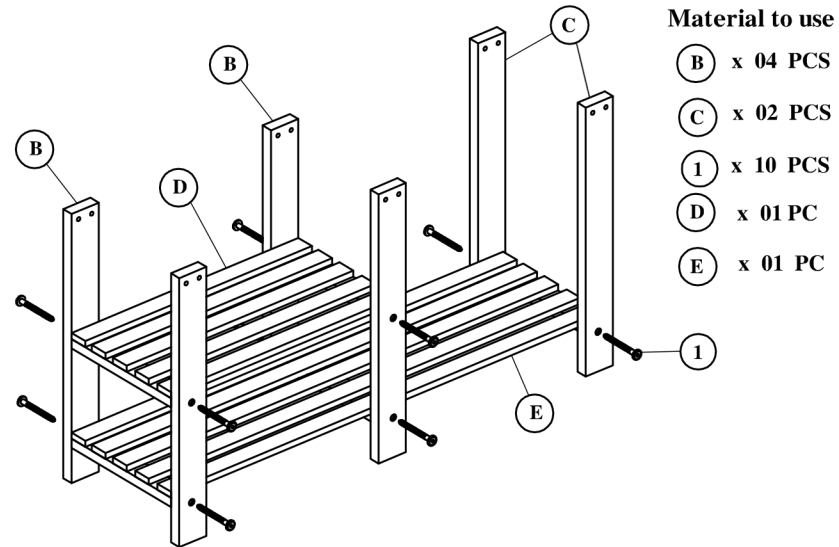
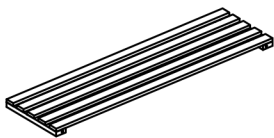
(C)
THE LEGS #2 x 02 PCS



(D)
THE FRAME MIDDLE x 01 PC



(E)
THE FRAME BELOW x 01 PC



Material to use

- (B)** x 04 PCS
- (C)** x 02 PCS
- (1)** x 10 PCS
- (D)** x 01 PC
- (E)** x 01 PC

Material to use

- (A)** x 01 PC
- (2)** x 12 PCS
- (3)** x 12 PCS

