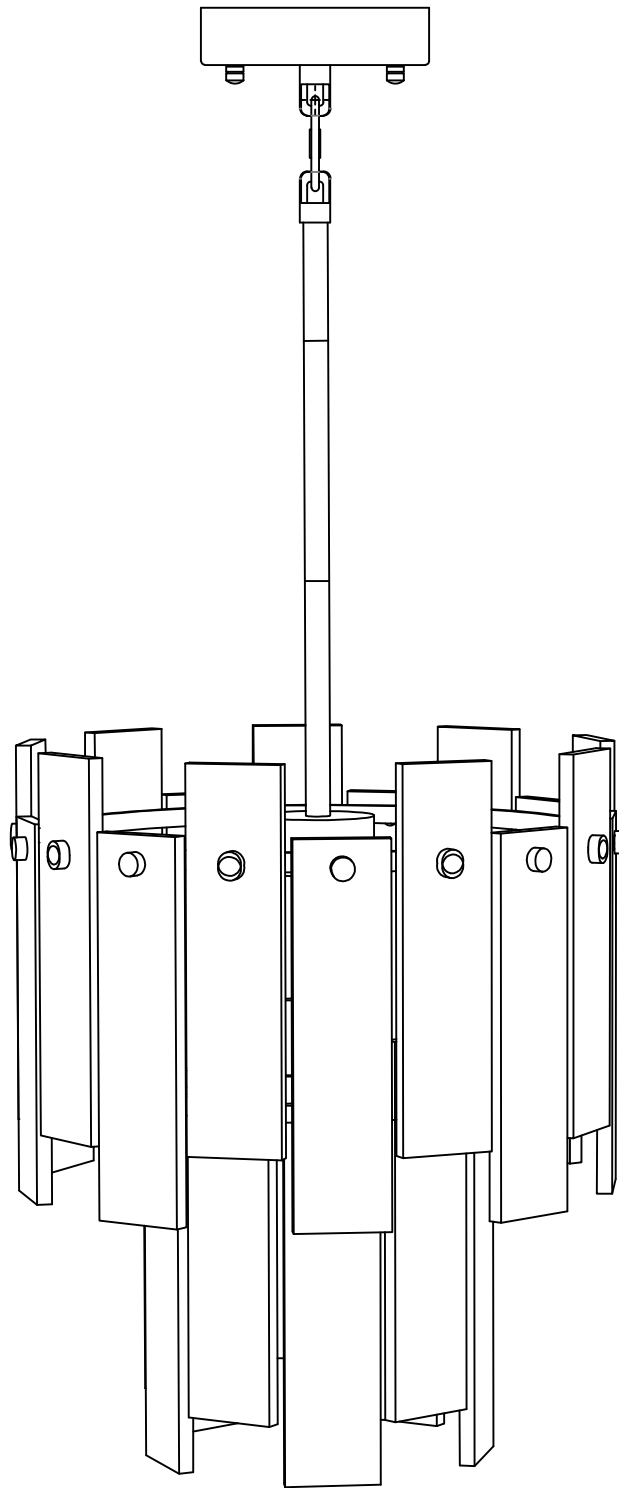
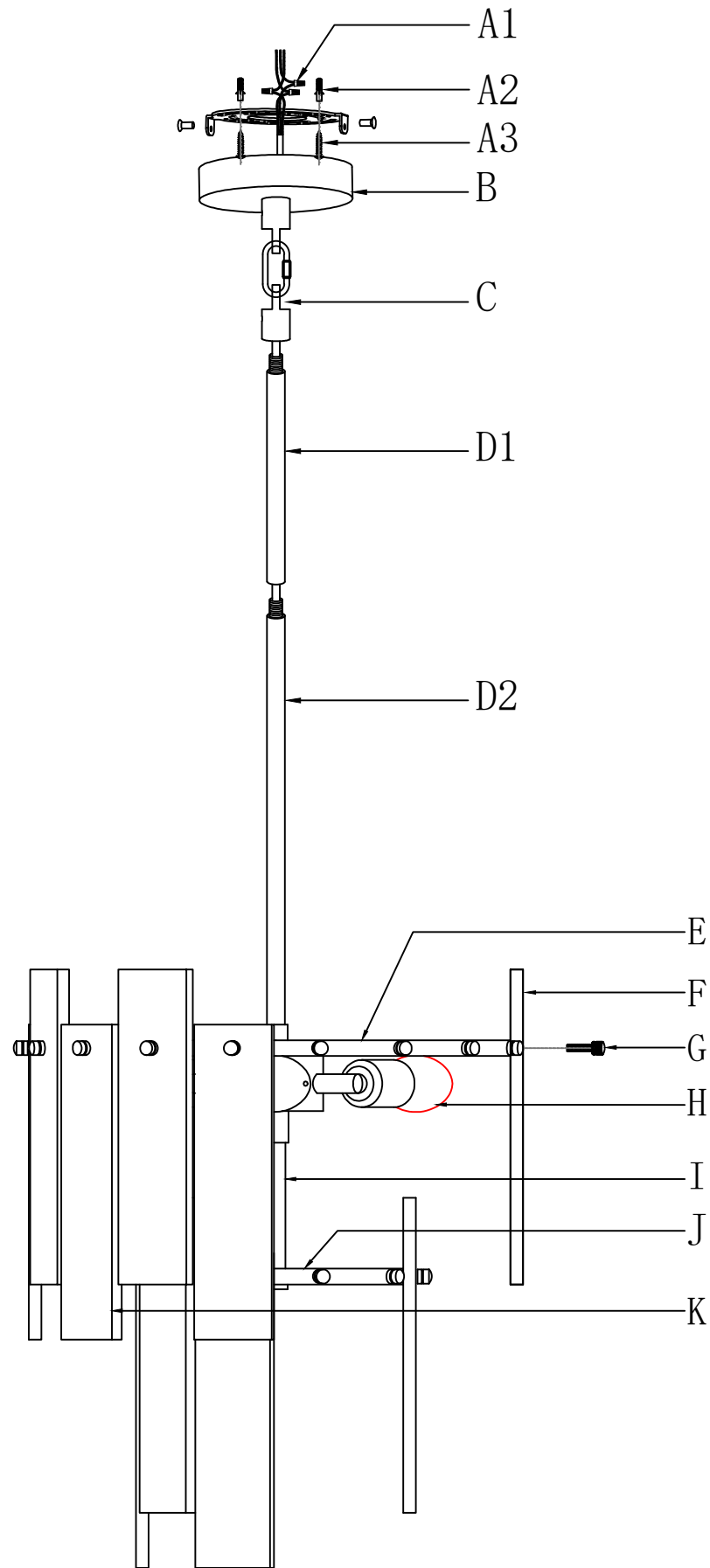
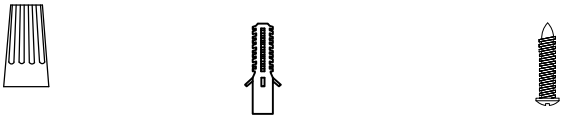
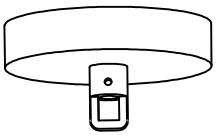
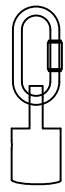
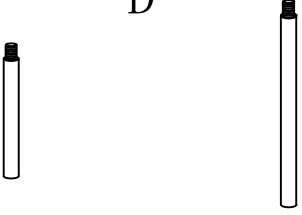
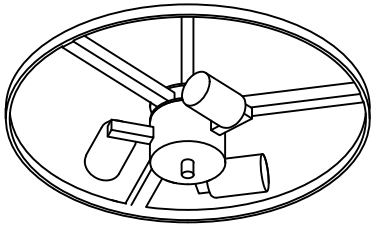
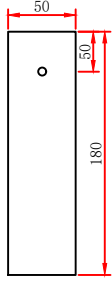


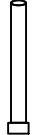
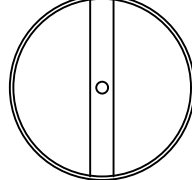
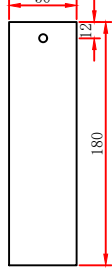


# INSTALLATION MANUAL



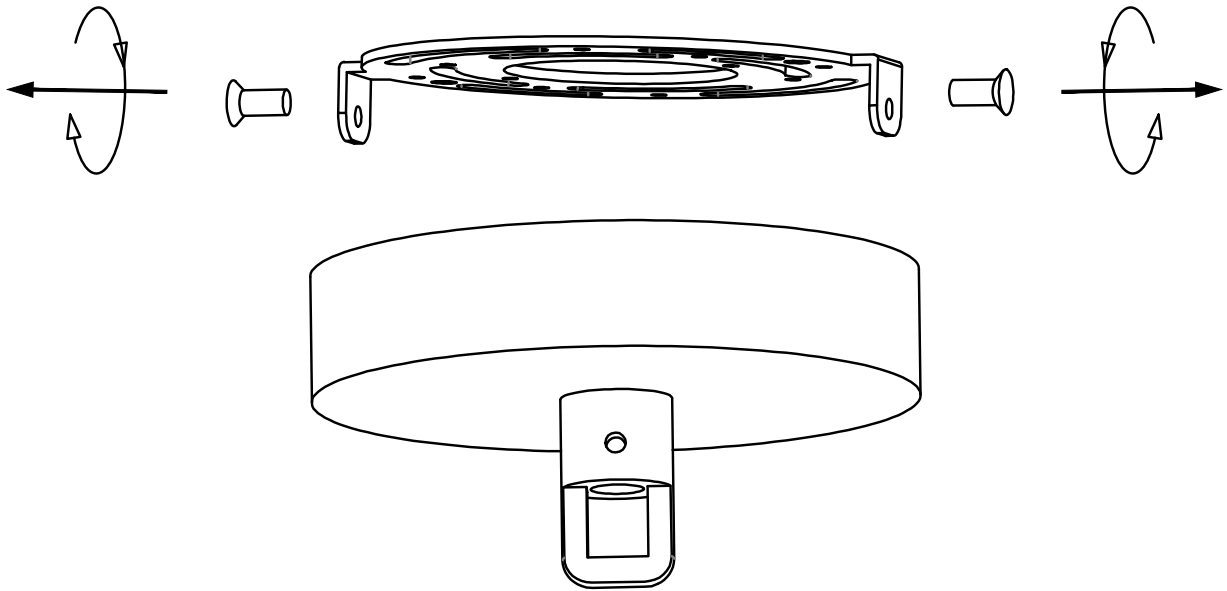
Open the box, and take out all the accessories  
you will get the following items.



accessories list				
<p style="text-align: center;">A</p>  <p style="text-align: center;">A1*3      A2*4      A3*4</p>			<p style="text-align: center;">B1*1</p> 	<p style="text-align: center;">C*1</p> 
<p style="text-align: center;">D</p>  <p style="text-align: center;">D1*2      D2*5</p>		<p style="text-align: center;">E*1</p> 	<p style="text-align: center;">F*14</p> 	
<p style="text-align: center;">G*28</p> 	<p style="text-align: center;">H*3</p> 	<p style="text-align: center;">I*1</p> 	<p style="text-align: center;">J*1</p> 	<p style="text-align: center;">K*14</p> 

NO.	Specification Name	QT	NO.	Specification Name	QT
A1	Wire Connector	3	F	Circular Tube L180	14
A2	Expansion plug	4	G	Bolt	28
A3	Self-tapping screw	4	H	E12 Light Bulb	3
B	Ceiling Plate	1	I	Circular Steel Tube L80	1
C	Sling Shackl+Lifting Ring	3	J	Metal Ring $\phi$ 158 MM	1
D1	Circular Steel TubeL150	2	K	Circular Tube L180	14
D2	Circular Steel TubeL300	5			
E	Lamp Body	1			

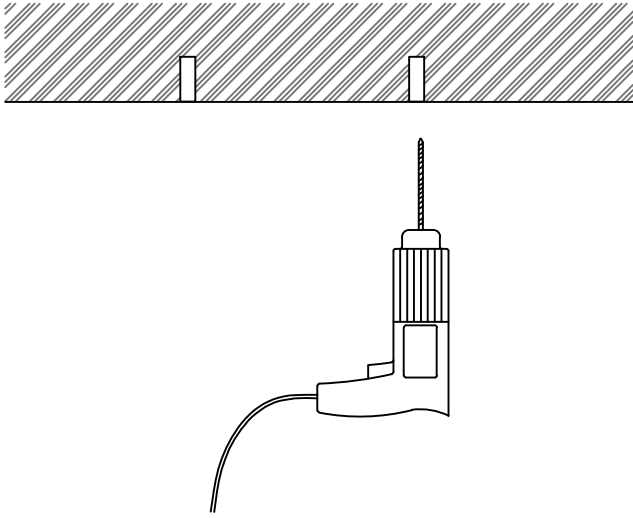
## Step 1



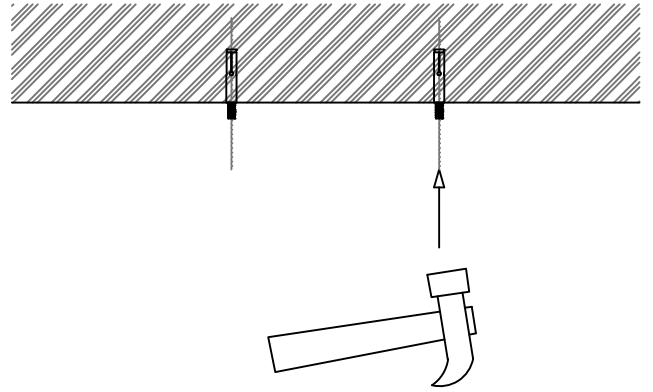
Loosen the screws cap of the hanging plate to take out the hanging plate

# Step 2

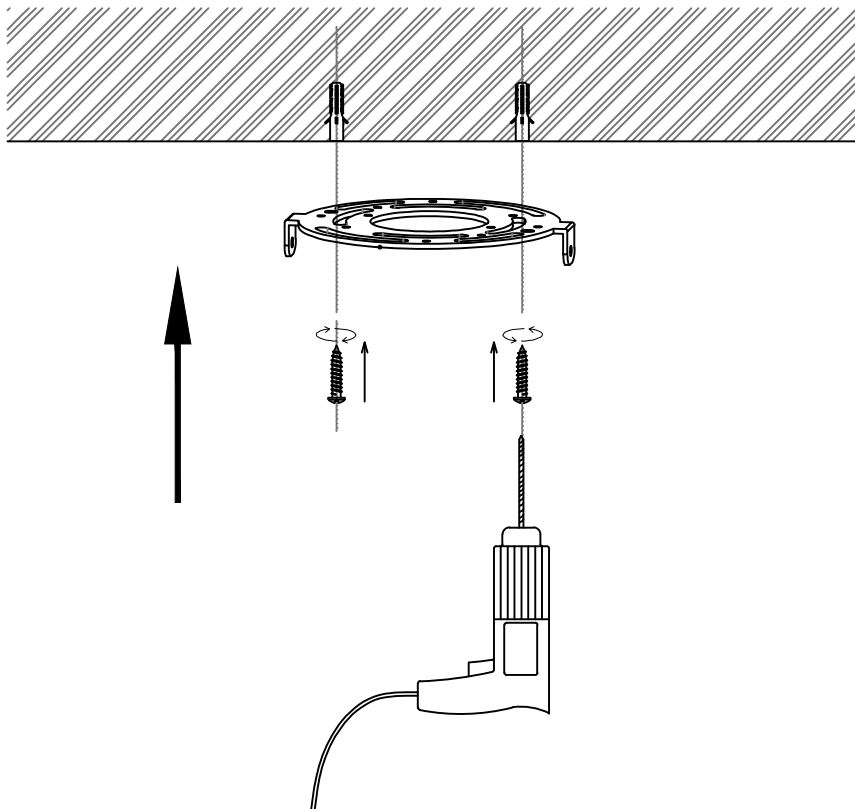
①



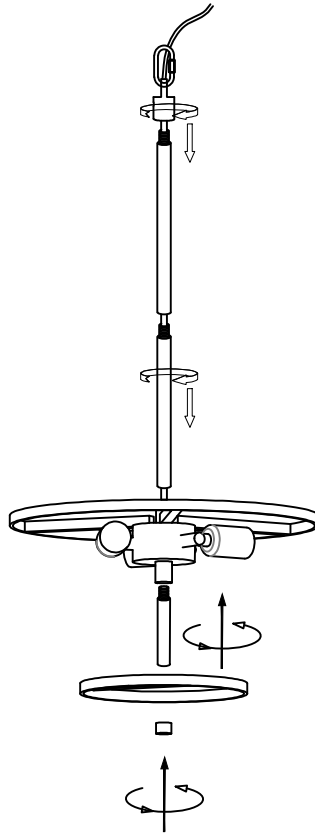
②



# Step 3

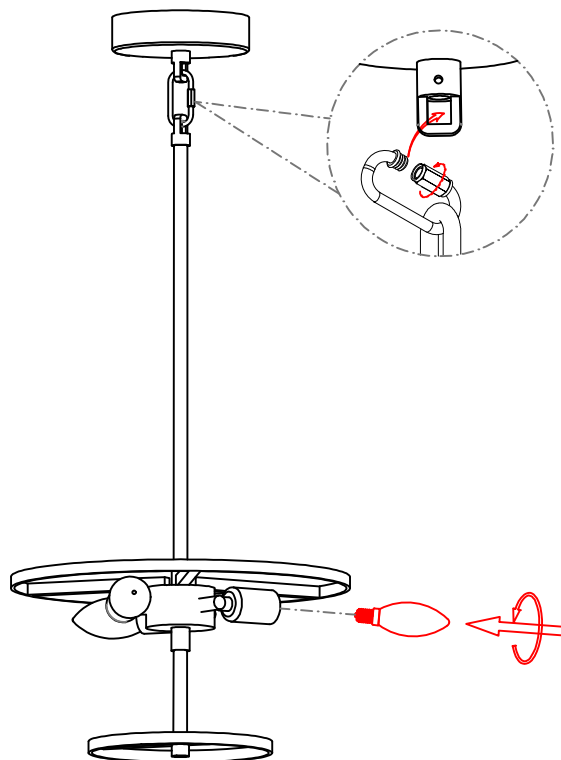


## Step 4

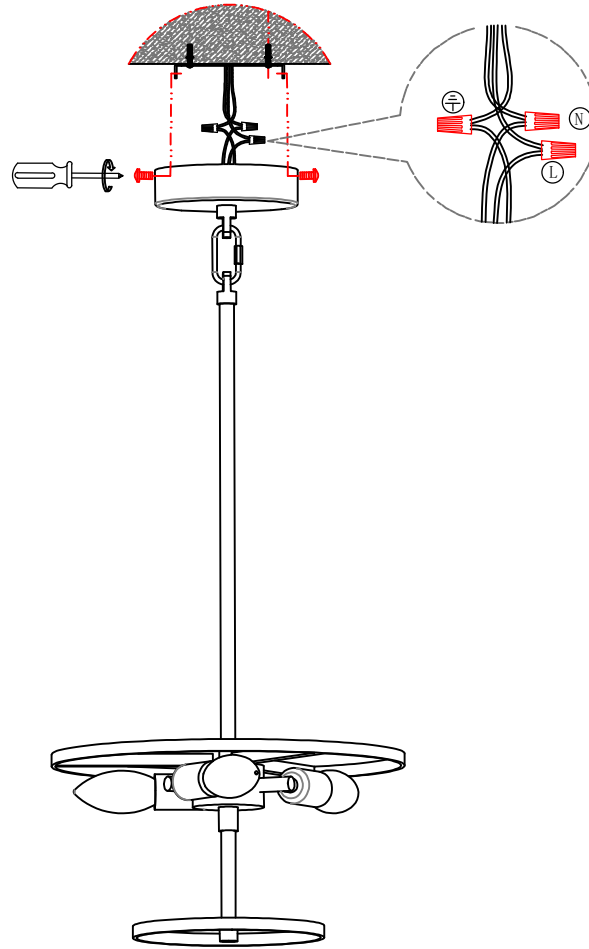


Installation quantity of round pipes,  
please select according to the actual required height.

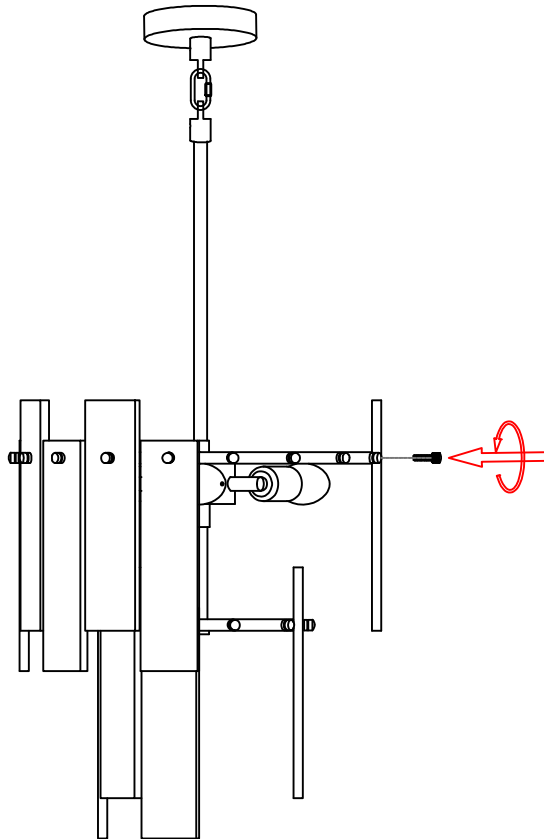
## Step 5



# Step 6



# Step 7



No matter what problems or questions you encounter during the installation or use of the chandelier, please feel free to contact us, we will reply to you within 24 hours and quickly solve or answer for you!

When you leave a message to us online, please leave your order ID and case details. The more detailed and accurate descriptions you provide, the faster and more accurate solutions we will offer!



## SAFETY INSTRUCTIONS

These instructions are provided for your safety. It is very important that you have read them completely before beginning the installation of your fixture.

1. We recommend installation by a licensed electrician.
2. This fixture is an E12 light source
3. If any special control devices are used with this fixture, follow the instructions carefully to assure full compliance with N.E.C. requirements. If there are any questions, contact a qualified electrical contractor.
4. Please make sure shut off the main electrical supply before installation changing bulbs or cleaning light fixture.



## WARNINGS

This is not a toy and the product has no play value.  
Keep at least 3 ft away from cribs, bassinets, and toddler beds.  
Keep out of reach of children under 3 years old.



## PREPARATION

1. Please prepare the E12 bulb of the packing in advance.
2. Please keep the installation place clean and tidy to avoid missing tiny accessories.