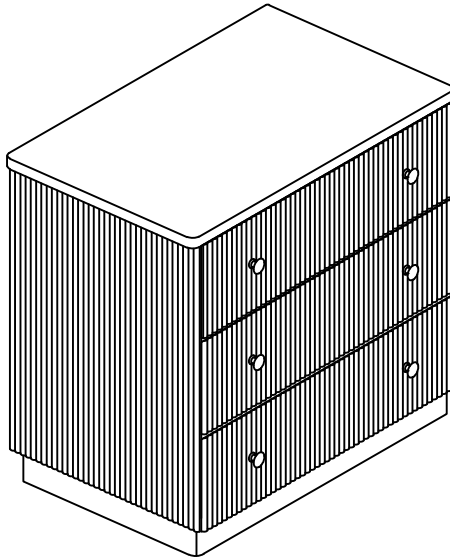


Owner Manual



Per Seat Weight Limitation

110 LBS

Thank You For Choosinc Our Furniture

- ▀ If you have any questions or concerns, don't hesitate to reach out to us. ▀

NOTE:






This brochure contains **IMPORTANT** safety info. Please read and keep it for future reference.

MAINTENANCE AND WARNINGS



Before You Start

Please follow the steps below:

-  Check the packaging for any damage, deformation, or water stains. If there is significant damage, please contact us promptly.
-  Open the packaging and confirm that the panels, hardware, screws, etc are complete.
-  Please read the installation instructions carefully to understand the installation steps and precautions to ensure proper installation.
-  Clean the installation area in advance and ensure the ground is level and there is enough space to avoid damaging the furniture or making installation difficult.
-  Lay a protective mat on the ground to prevent scratching the floor during installation.

After-Sales Service

- If you encounter any issues or need technical support during use, please contact our after-sales team. We offer long-term maintenance and warranty services.



Precautions

- ⚠ This product for indoor use only. Do not expose it to outdoor elements or high-humidity environments.
- ⚠ Keep the product away from high heat or open flames to prevent fire hazards.
- ⚠ Do not allow children to climb on the product to prevent personal injury caused by tipping



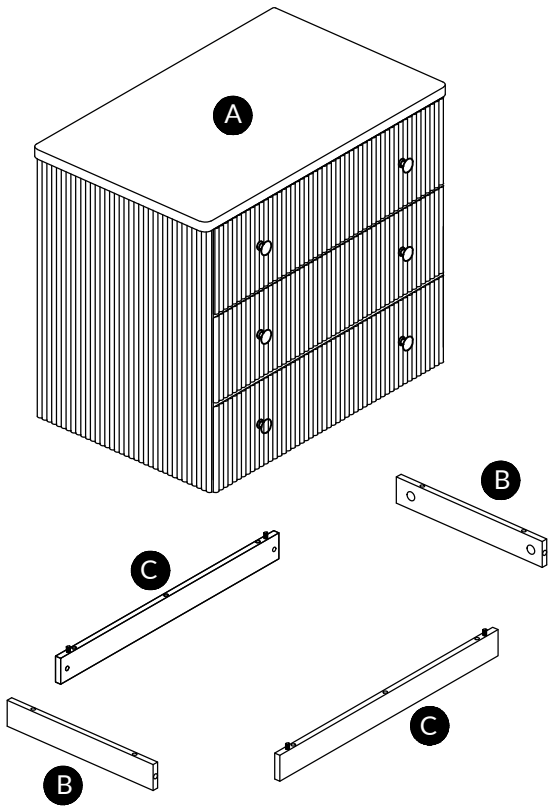
Safety Warnings

- ⚠ If you notice any loose or damaged parts, stop using the product immediately and contact customer service.
- ⚠ Do not attempt to disassemble or replace any components yourself, as this may affect the stability and safety of the product.

Daily Maintenance

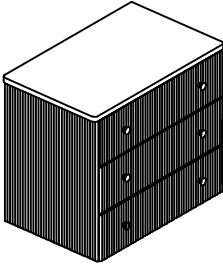
- Regularly clean the surface of the sofa with a soft cloth to prevent dust accumulation.
- Do not use cleaning agents containing acids, alkalis, or corrosive substances, as they may damage the surface. It is recommended to use neutral cleaning agents or specialized furniture cleaners
- Avoid exposing furniture to humid environments for extended periods to prevent swelling or deformation of the boards. Use a dehumidifier or desiccant during humid weather.
- Avoid direct contact of furniture with water. If water is accidentally spilled, wipe it dry immediately.
- Avoid placing excessively heavy objects on the furniture: ensure the weight is within a reasonable load-bearing range.
- Avoid using sharp or rough items on the furniture surface to prevent scratches. Handle items gently when moving them

Explosive view



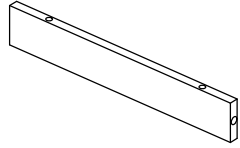
Parts list

A



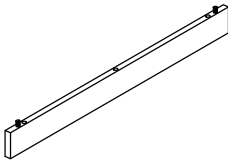
x1

B



x2

C



x2

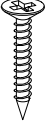



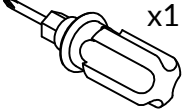


Installation:
15minutes.

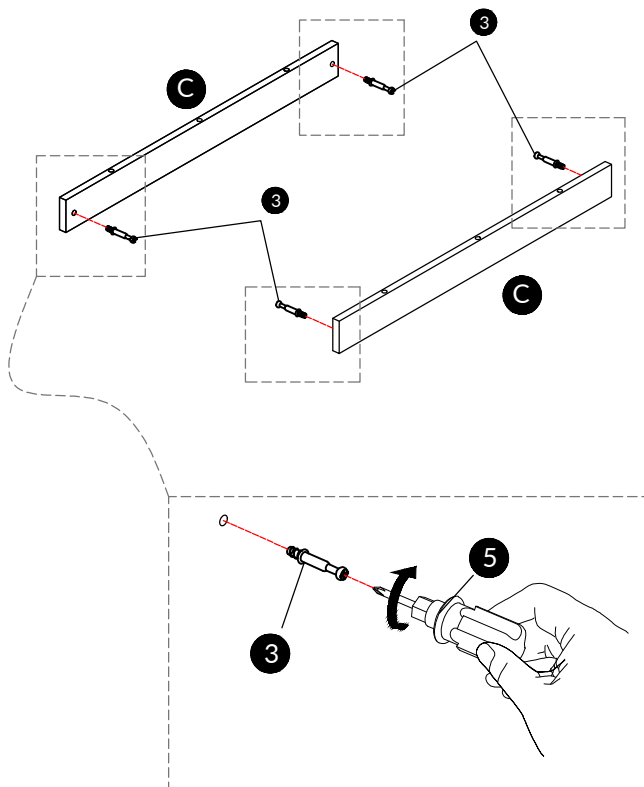



One Person

Hardware List

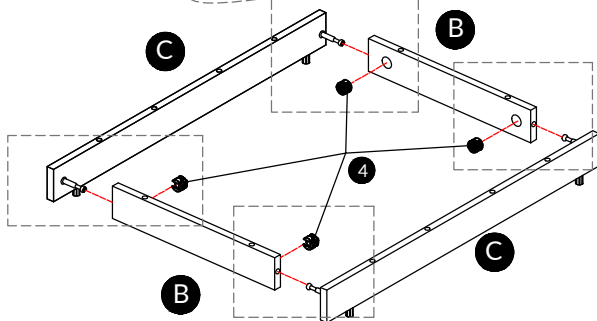
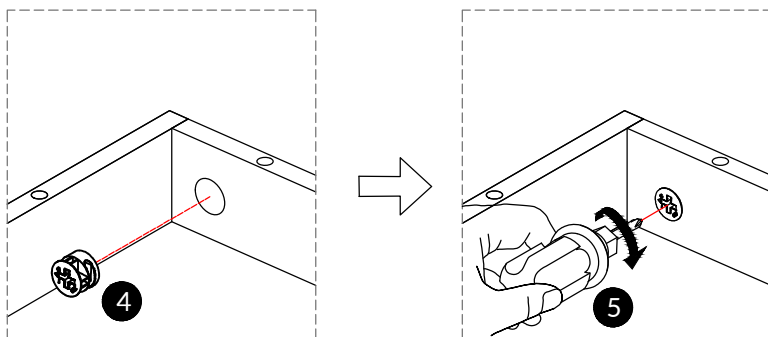
<p>1</p>  <p>x10+1</p> <p>M4x50mm</p>	<p>2</p>  <p>x1</p>	<p>3</p>  <p>x4+1</p> <p>M6x35mm</p>
<p>4</p>  <p>x4+1</p> <p>M14x11mm</p>	<p>5</p>  <p>x1</p>	


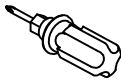
Step 1



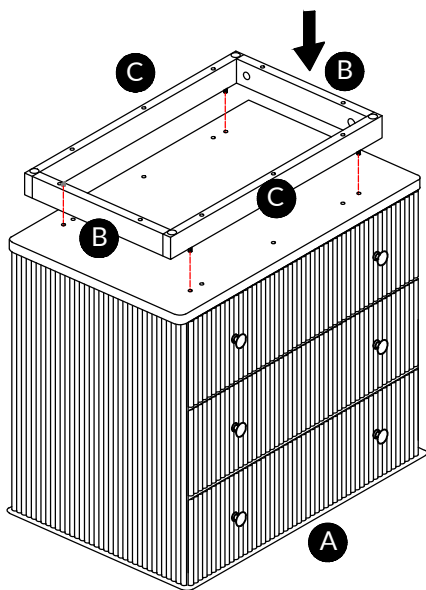
3	x4
	
M6x35mm	

Step 2

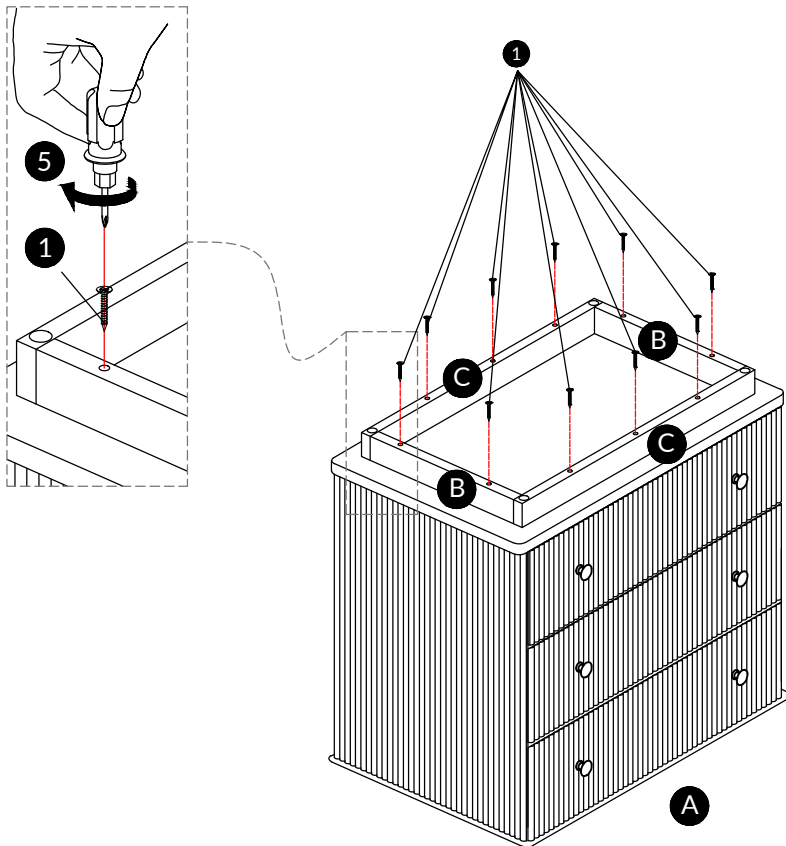


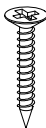
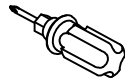
4	x4	5	x1
			
M14x11mm			

Step 3



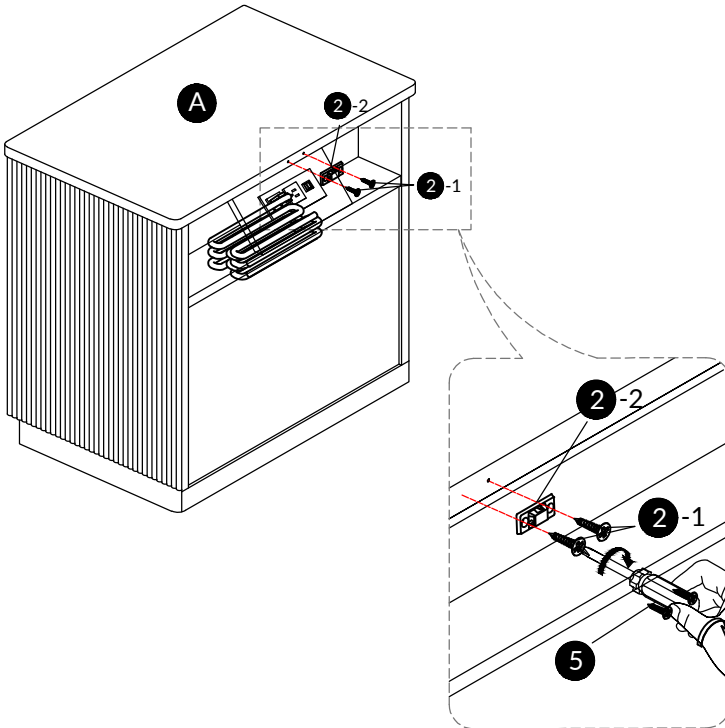
Step 4



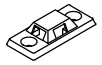
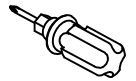


1	x10	5	x1
			
M4x50mm			

Step 5

Use screw #2-1 to attach plastic bracket#2-2 to panel (A),tighten screw #2-1 with screwdriver #5.

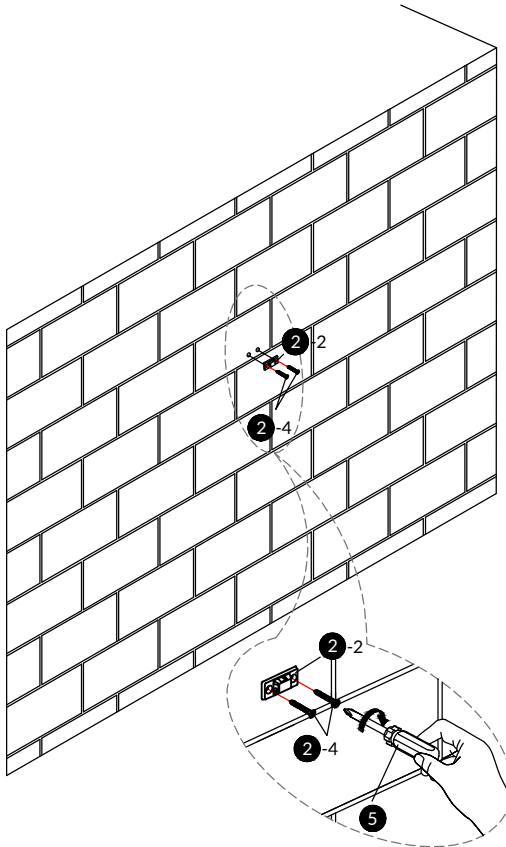


2	x1	2-1	x2	2-2	x1	5	x1
							
		M3.5x14mm					

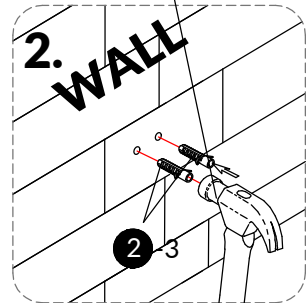
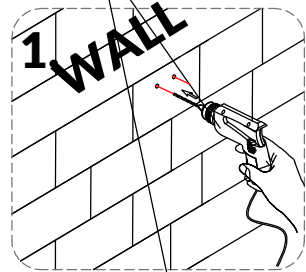
Step 6

1. Mark the position on the wall, that corresponds to the location of bracket #2-2 on the panel A; Drill and insert the expandable screw #2-3 by hammer.

2. Assemble the bracket #2-2 to the wall. Align the hole in the bracket #2-2 with the expandable screw #2-3, use screw #2-4 to attach it, tighten screw #2-4 with screwdriver #5.

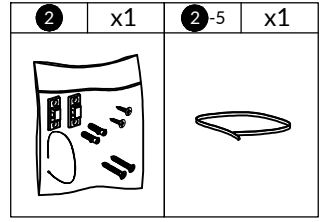


NOT PROVIDED

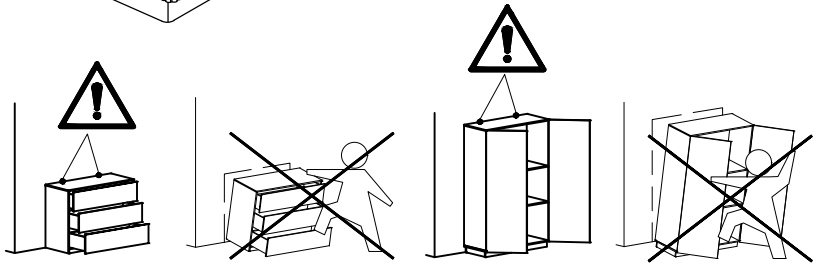
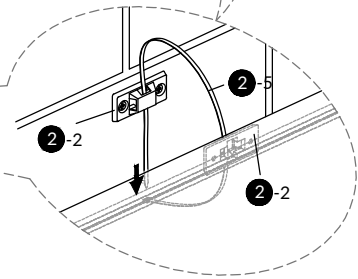
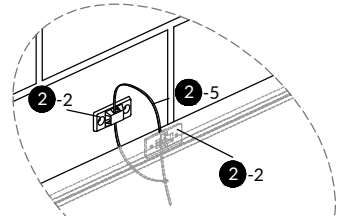
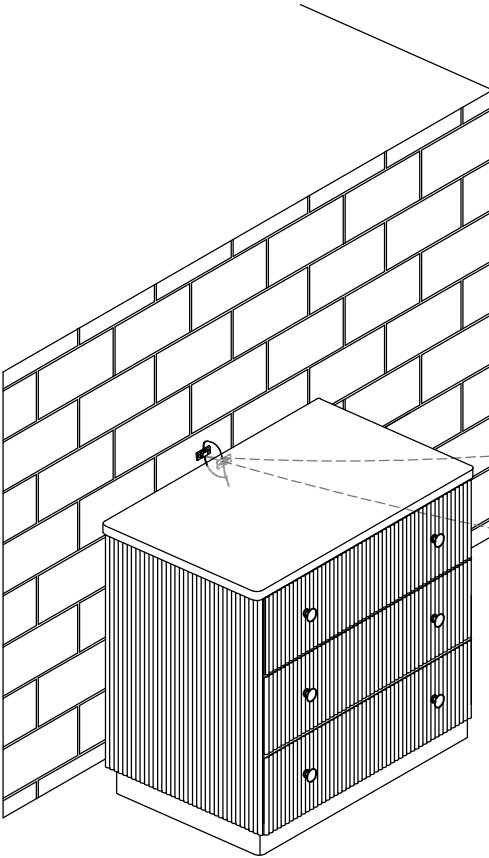


2	x1	2-2	x2	2-3	x2	2-4	x2	5	x1
						M4x35mm			

Step 7



3. Let the plastic belt #2-5 pass through bracket #2-2 and pull tightly.



WARRANTY

- We strive to offer quality products, and we also try our best to satisfy every customer who orders from us with products or services as needed.
- We provide 30 days warranty starting from the time you receive the item. Each customer must provide a record of their orders such as the order number, or item receipt for any items that are out of the warranty period you may also still receive.
- Replacement parts by purchasing them from our company if they are available.
- For return, please check the return policy with the retailer or market place you bought from

Appreciate your purchasing from us.
Pop up your life by our furniture piece!