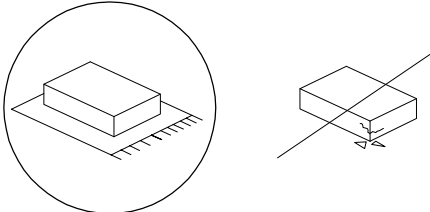
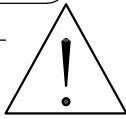

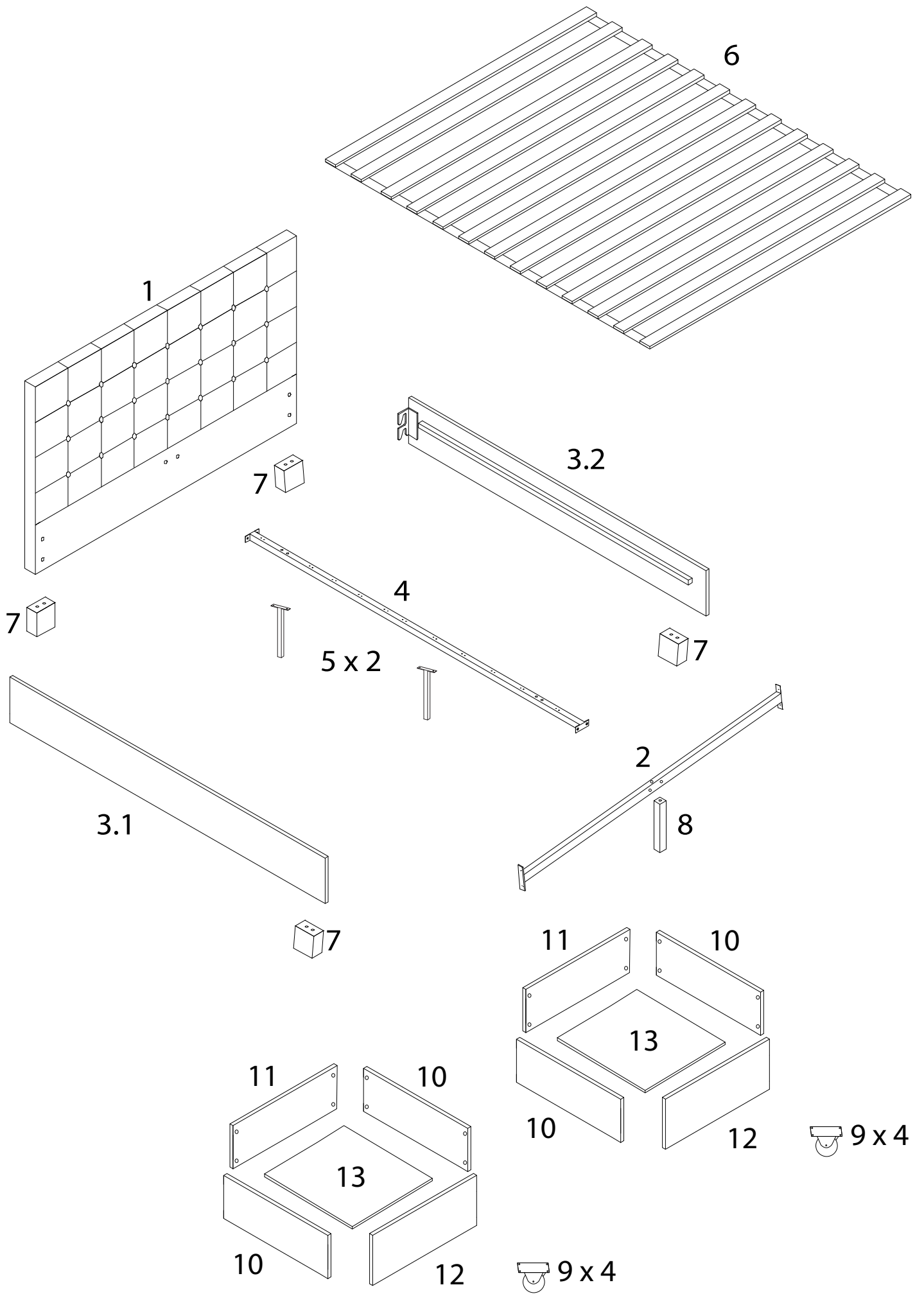
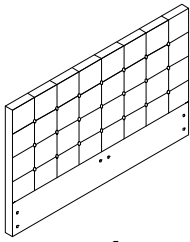

		<p>60'</p>
		
		<p>2</p>

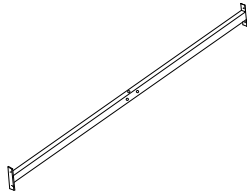


1



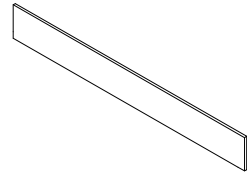
x 1

2



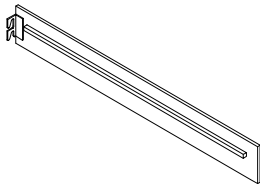
x 1

3.1



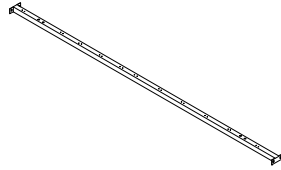
x 1

3.2



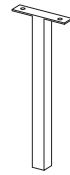
x 1

4



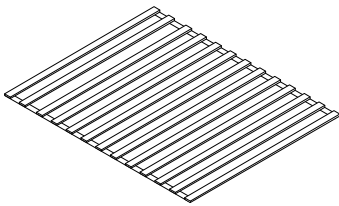
x 1

5



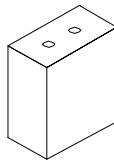
x 2

6



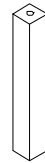
x 1

7



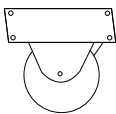
x 4

8



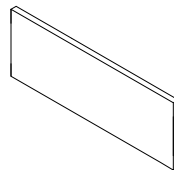
x 1

9



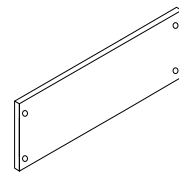
x 8

10



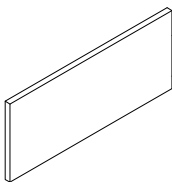
x 4

11



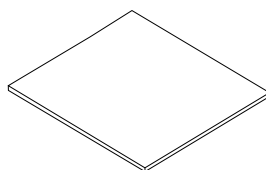
x 2

12



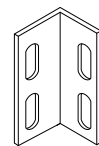
x 2

13



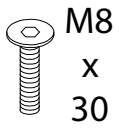
x 2

14



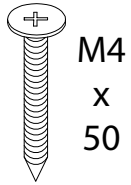
x 8

A



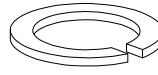
x 14

B



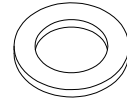
x 8

C



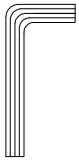
x 4

D



x 49

E



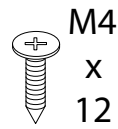
x 1

F



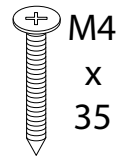
x 32

G



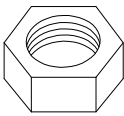
x 32

H



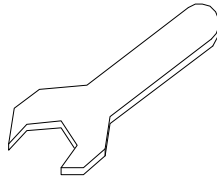
x 30

I



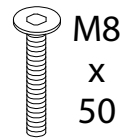
x 6

J



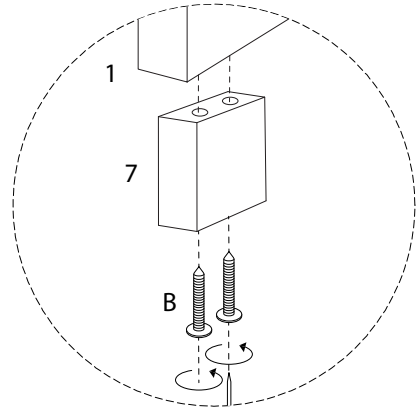
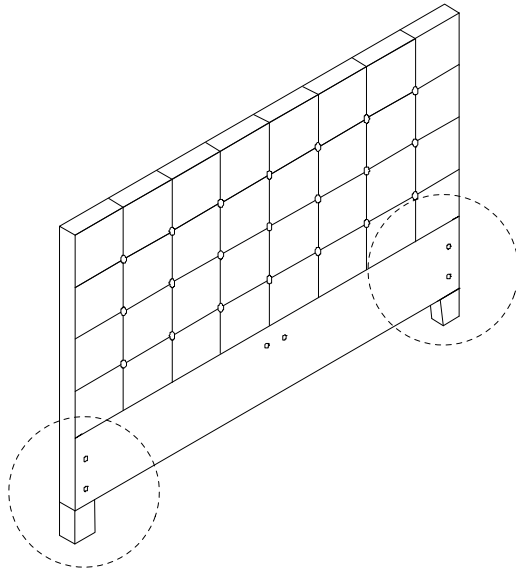
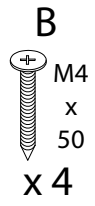
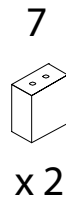
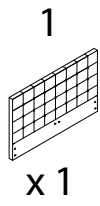
x 1

K

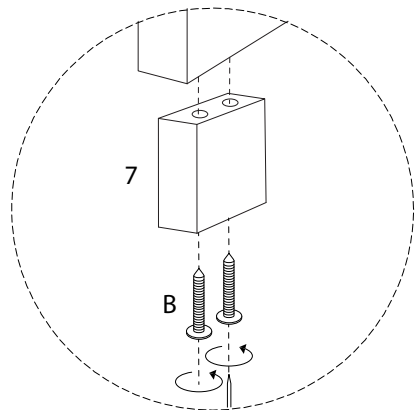
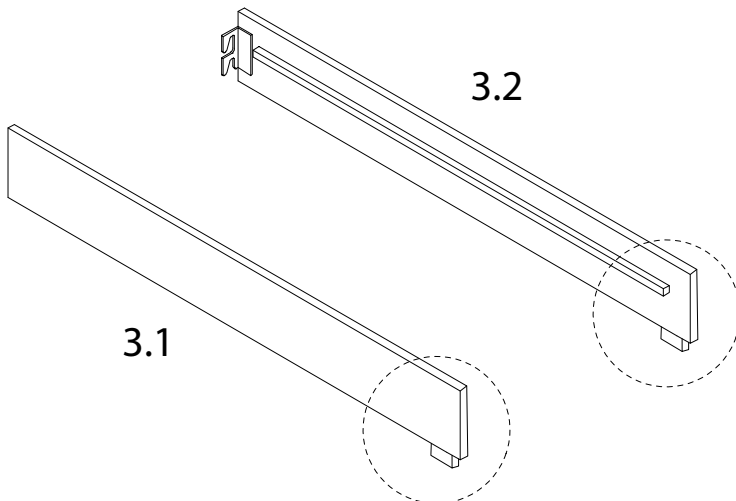
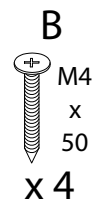
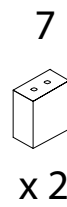
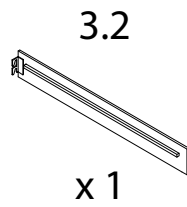
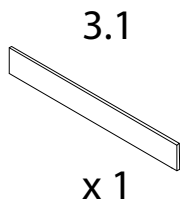


x 3

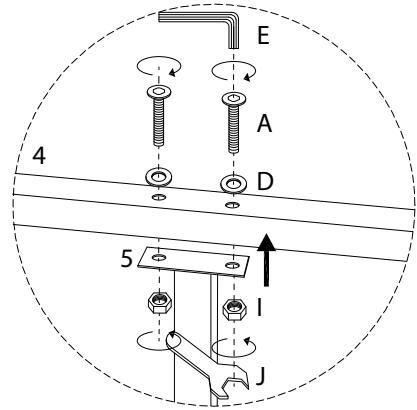
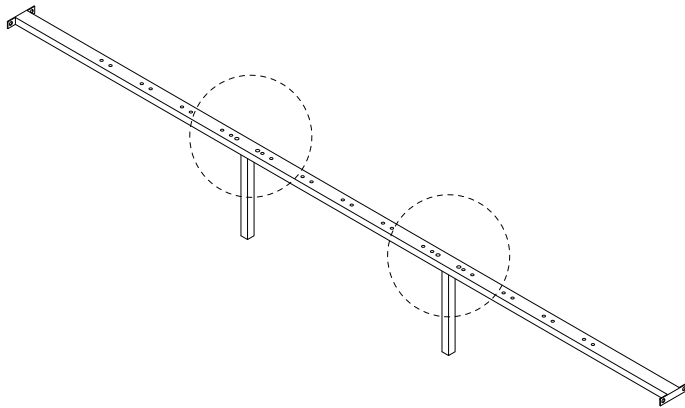
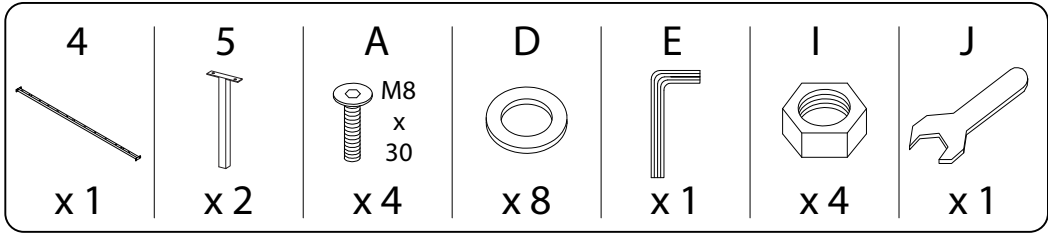
1



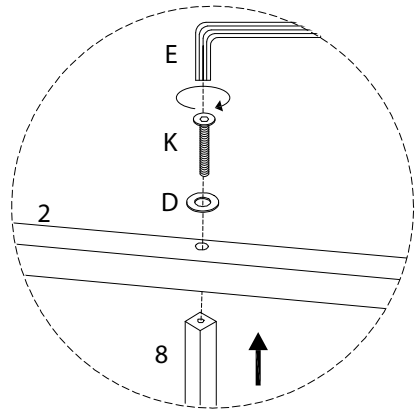
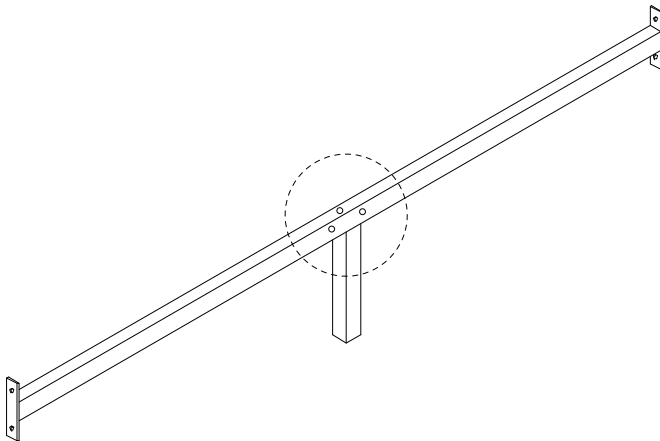
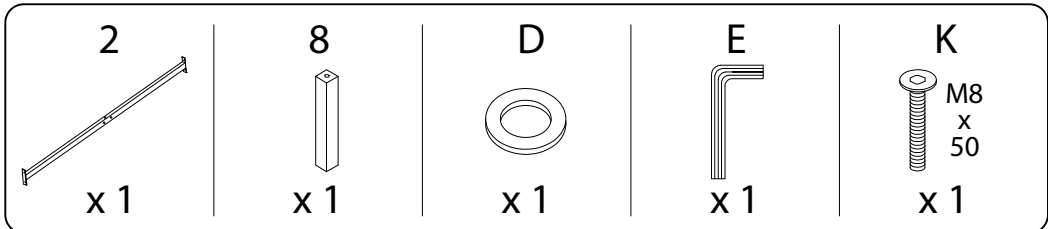
2



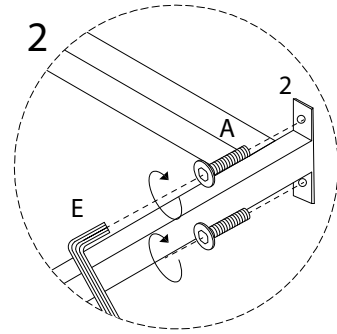
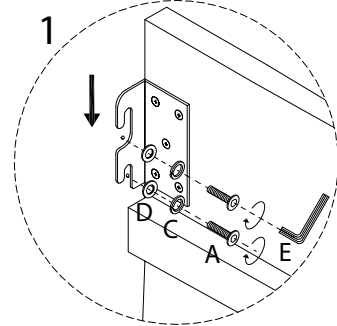
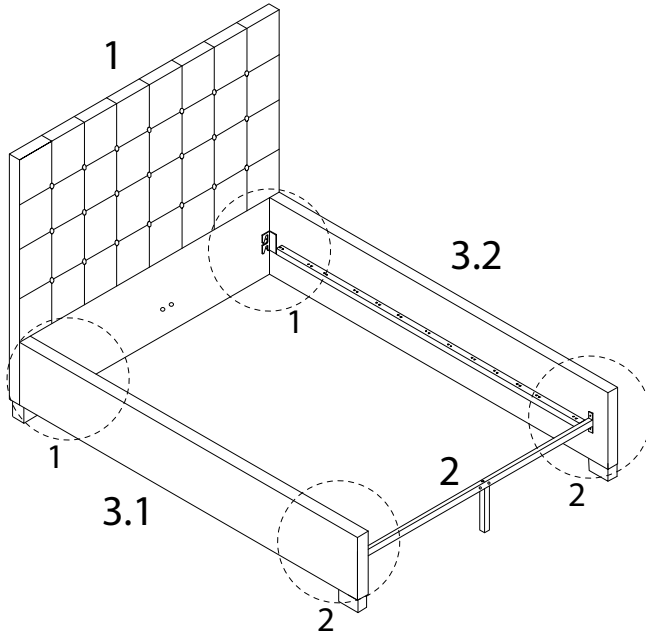
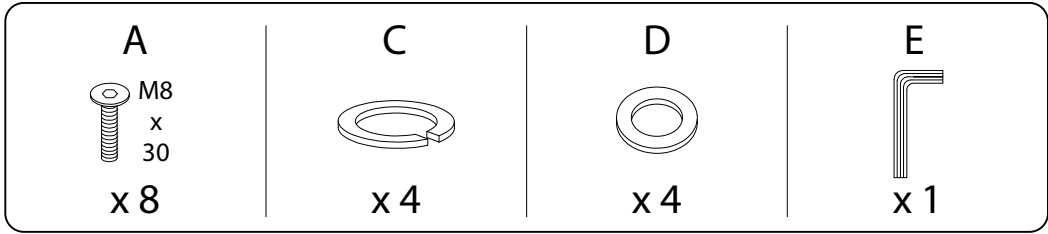
3



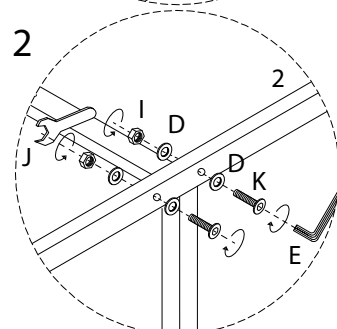
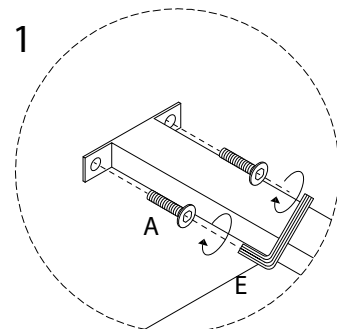
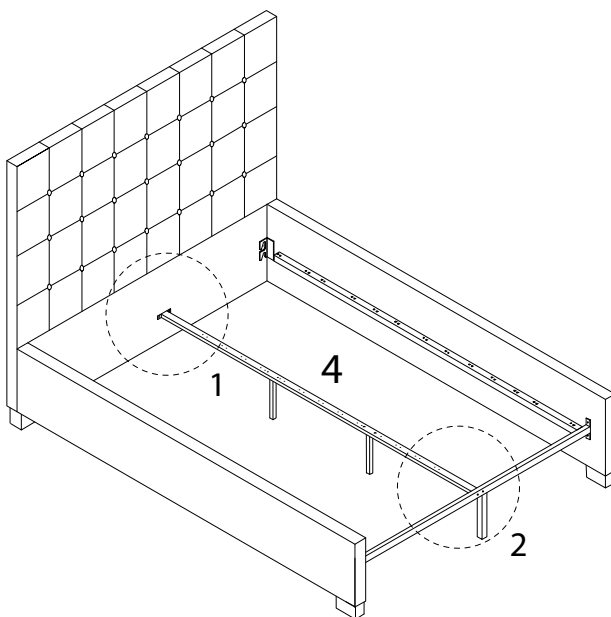
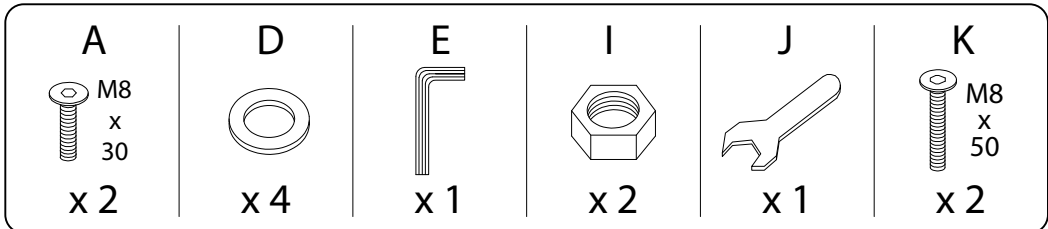
4



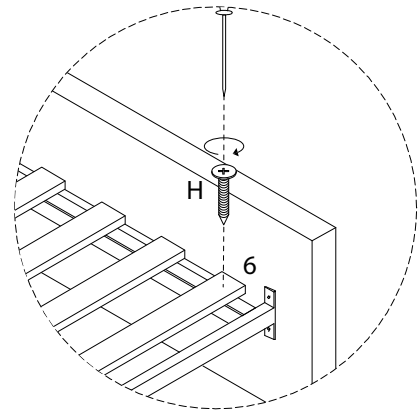
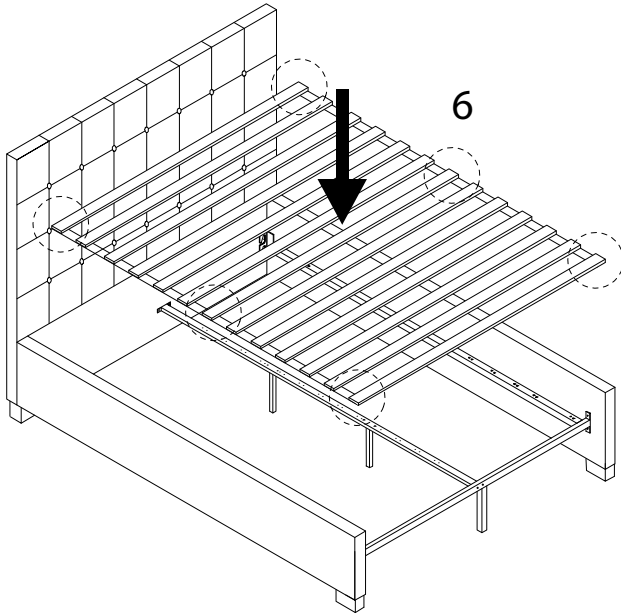
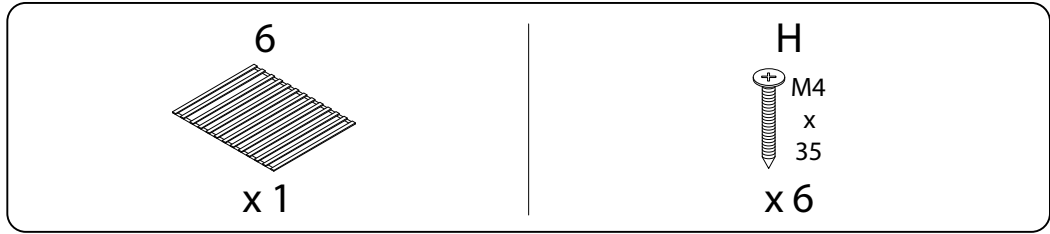
5



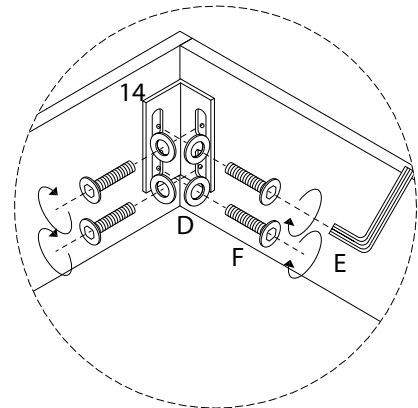
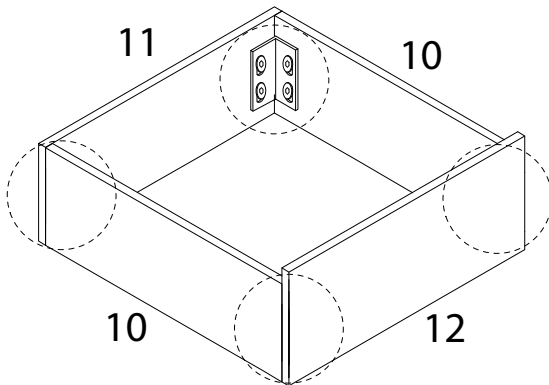
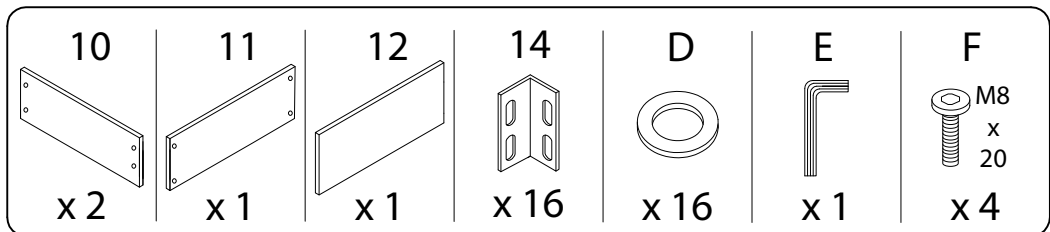
6



7

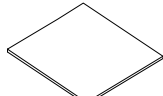


8 x 2



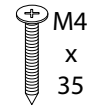
9 x 2

13

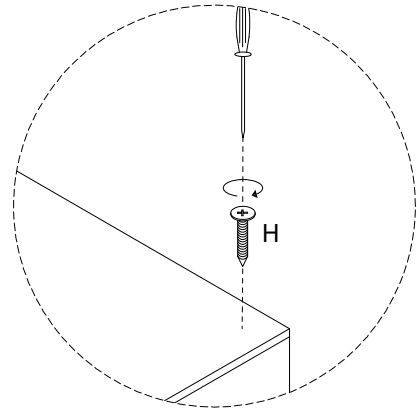
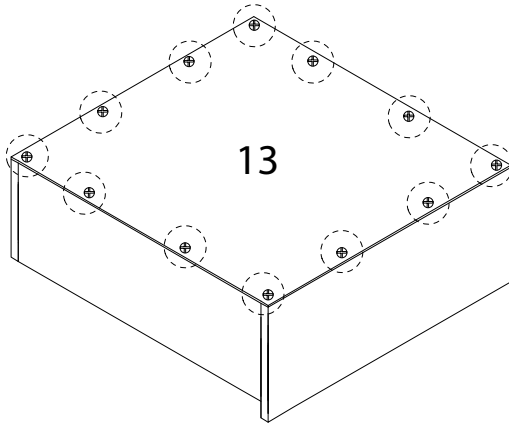


x 1

H

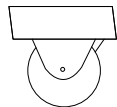


x 12



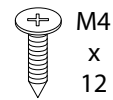
10 x 2

9

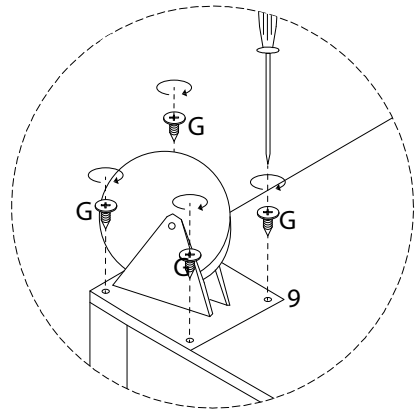
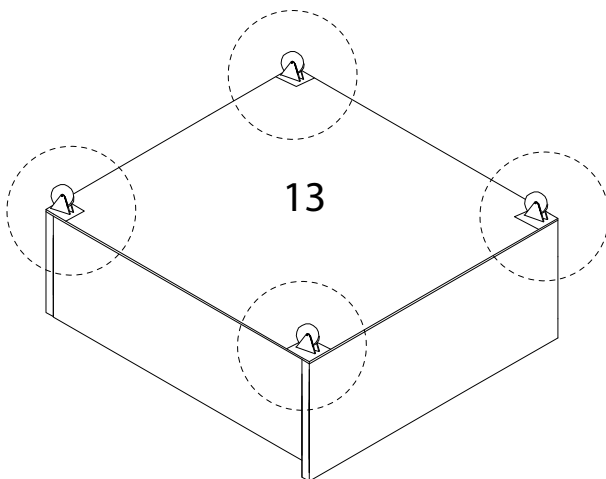


x 4

G



x 16



11

