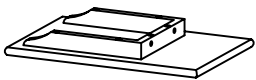

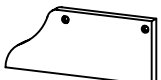
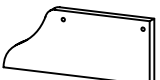
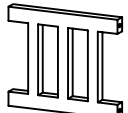
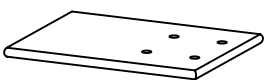

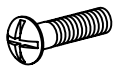
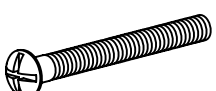





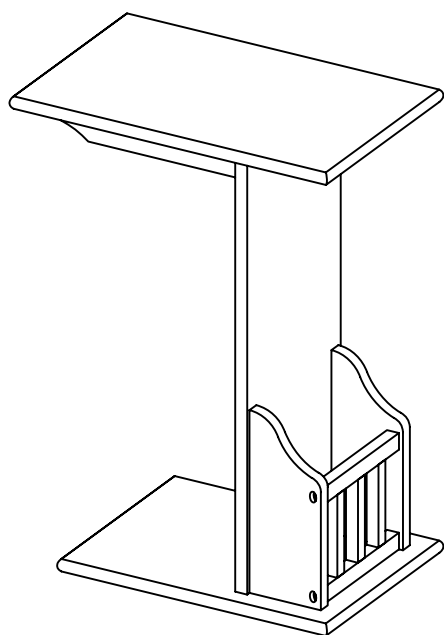


ASSEMBLY INSTRUCTION

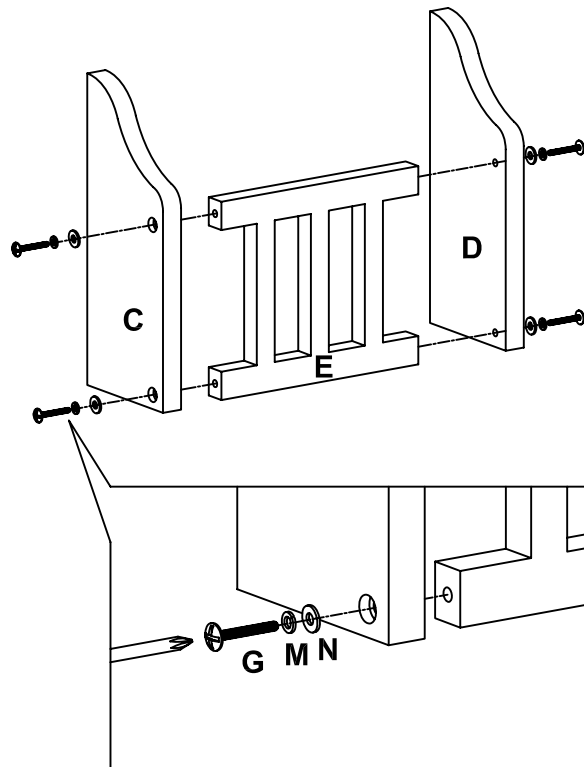
MAGAZINE STAND

A Table Top  1PC	B Back Panel  1PC	C Left Panel  1PC	D Right Panel  1PC
E Fence  1PC	F Base  1PC	G Bolt 5/32", 1"  8PCS	H Bolt 1/4", 1"  4PCS
I Bolt 1/4", 2-1/2"  2PCS	J Nut 1/4", 10mm  2PCS	K Lock Washer 1/4"  6PCS	L Flat Washer 1/4", 13mm  6PCS
M Lock Washer 5/32"  8PCS	N Flat Washer 5/32", 9mm  8PCS		

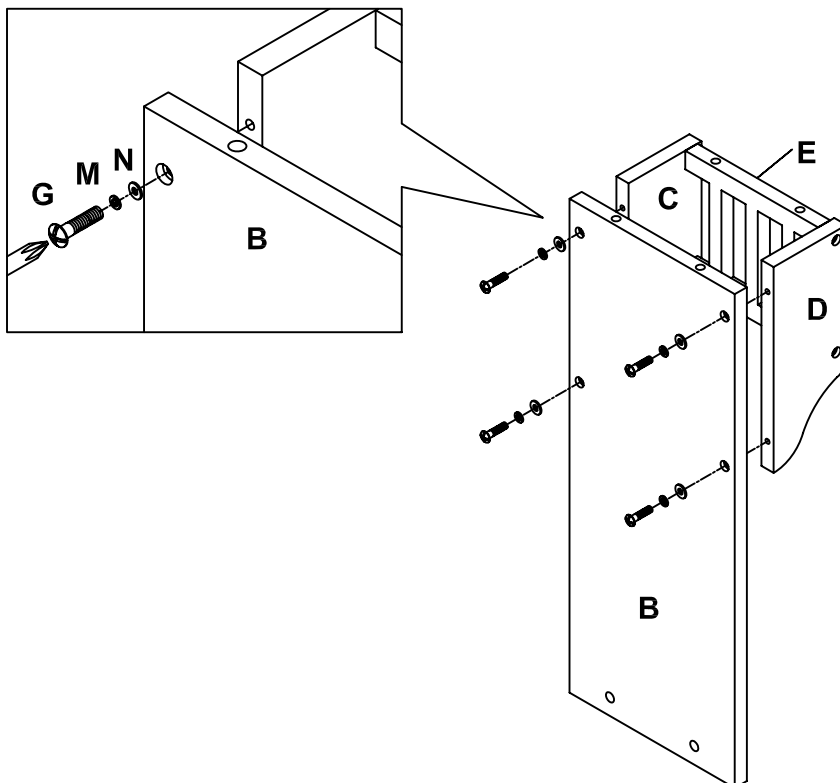


This page lists all the contents included in the box. Please take the time to identify the hardware as well as the individual components to this product. As you unpack and prepare for assembly, place the contents on a carpeted or padded area to protect them from damage.

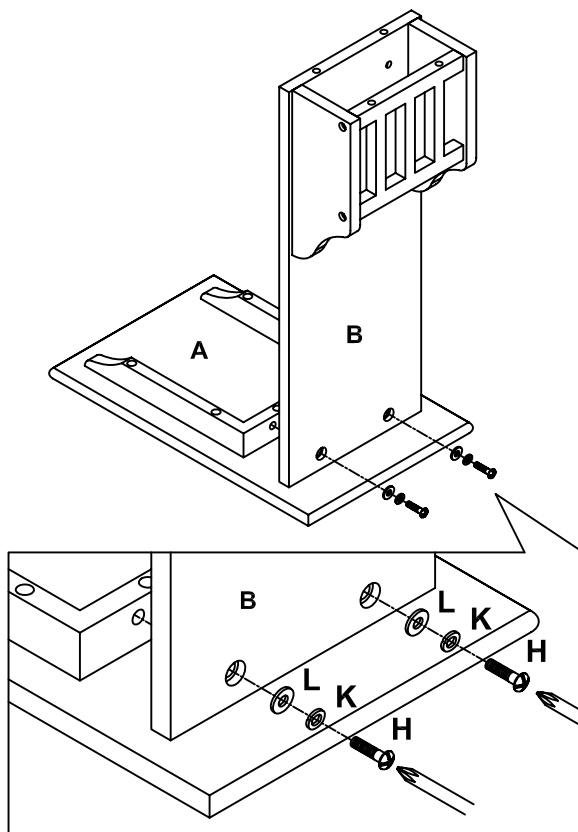
- 1** Attached Left Panel (C) and Right Panel (D) to the Fence (E). Use Bolt (G), Lock Washer (M) and Flat Washer (N), on holes of Panel (C/D). Turn the Bolt driver in Bolt (G).



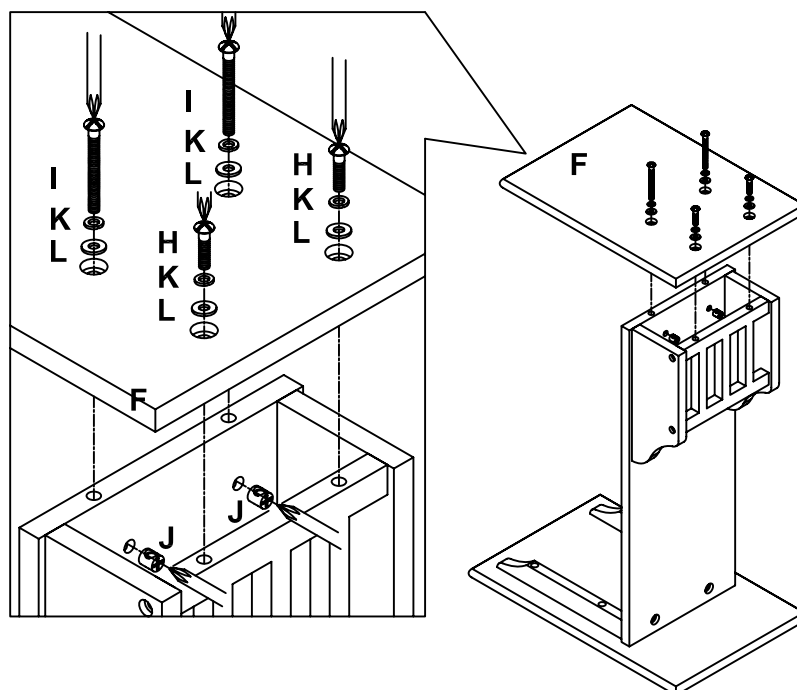
- 2** Attached the "Frame" to the Back Panel (B) Use Bolt (G), Lock Washer (M) and Flat Washer (N), on holes of Back Panel (B). Turn the Bolt driver in Bolt (G).



- 3** Attached the Back Panel (B) to the Table Top (A). Use Bolt (H), Lock Washer (K) and Flat Washer (L), on holes of Back Panel (B). Turn the Bolt driver in Bolt (H).



- 4** 1). Attached the Base (F) to the Back Panel (B) Use Bolt (I), Lock Washer (K) , Flat Washer (L),and Nut (J), on holes of Base (F/B).Turn the Bolt driver in Bolt (I) and Nut (J).
2). Attached the Base (F) to the "Frame" Use Bolt (H), Lock Washer (K) and Flat Washer (L), on holes of Base (F). Turn the Bolt driver in Bolt (H).



Cleaning & Care

Treat surface with care. Surface is resistant to scratches but is not scratch resistant. Clean surface with a dry or damp soft cloth. Do not use abrasive cleaners. Hardware may loosen over time. Periodically check that all connections are tight.