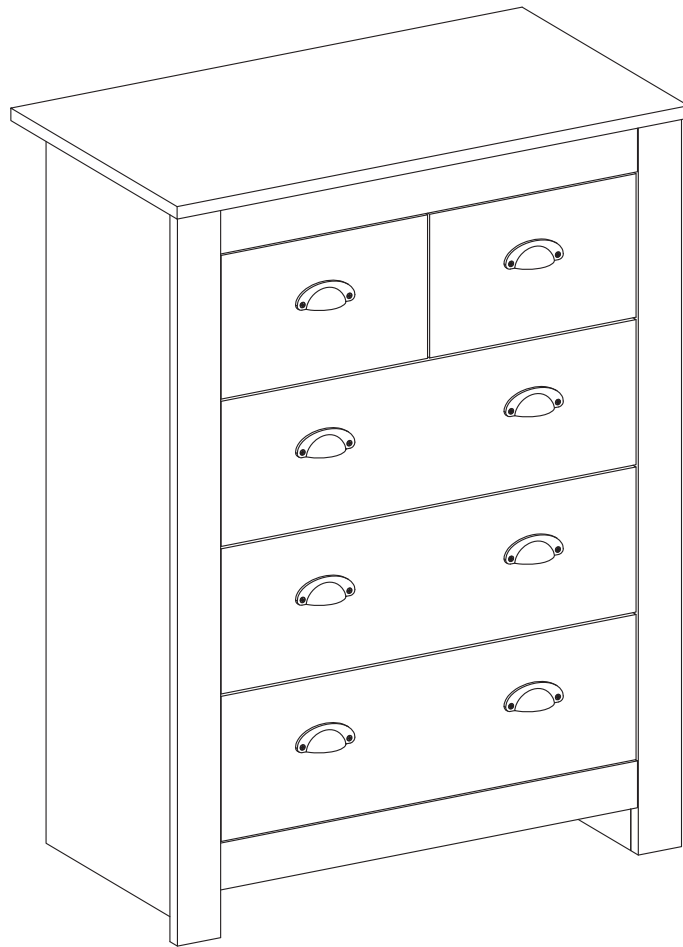


# 3+2 Drawers Chest

USER MANUAL | MODE D'EMPLOI | MANUAL DEL USUARIO | GEBRAUCHSANLEITUNG |  
GEBRUIKSHANDLEIDING | MANUALE PER L'UTENTE | MANUAL DO UTILIZADOR

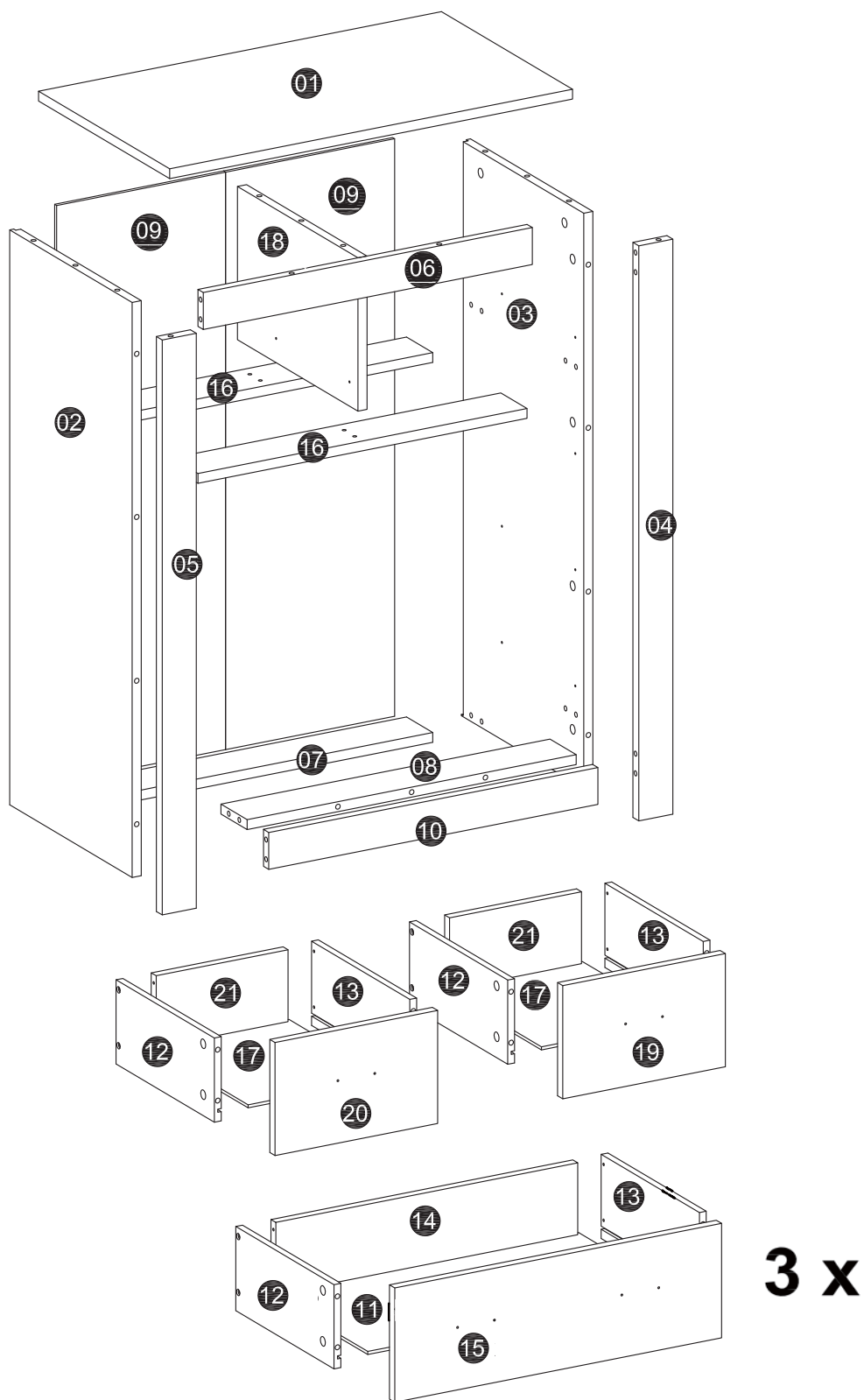


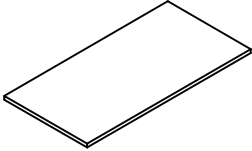
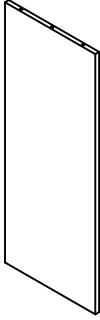
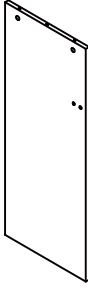


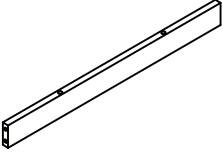
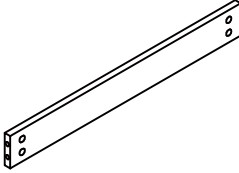
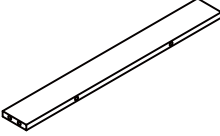
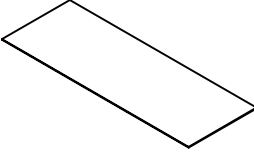
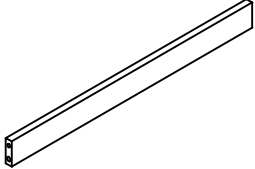
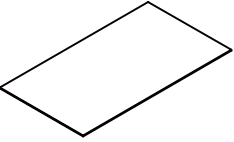
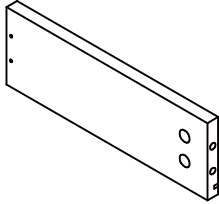
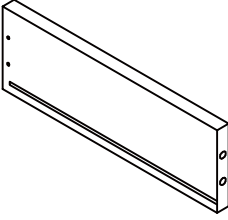
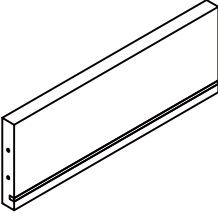
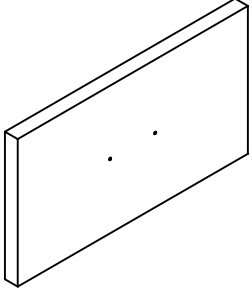
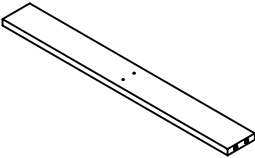
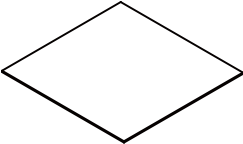
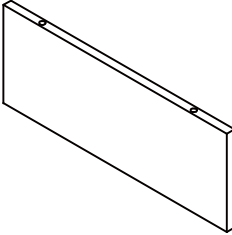
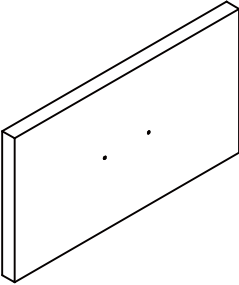
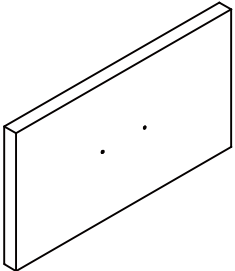
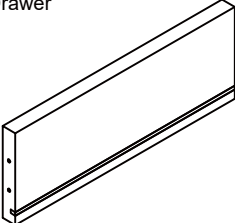
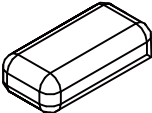
Please keep your original packages , due to health and safety reasons , we cannot accept returns without original packages .








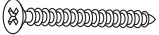
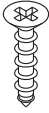

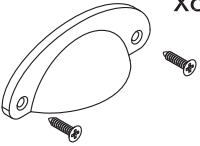

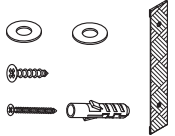


We will resolve the issues for you within 1 working day!

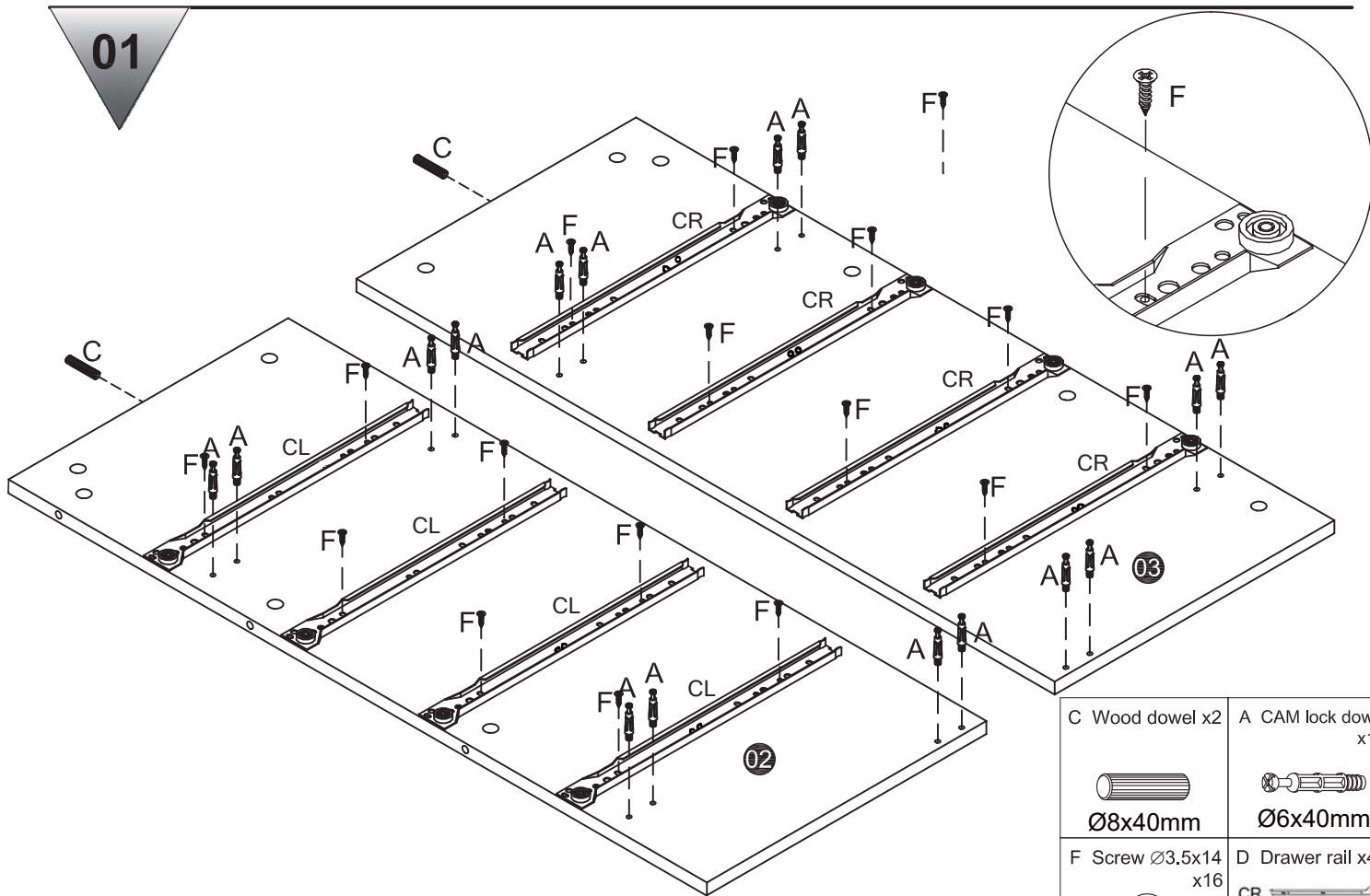
**Warning:**  
Please do not use an electric drill, thank you for your cooperation!








<p>Description:Top Panel Qty:1</p>  <p>①790×400×15mm</p>	<p>Description:Side Panel-L Qty:1</p>  <p>②934×378×15mm</p>	<p>Description:Side Panel-R Qty:1</p>  <p>③934×378×15mm</p>	<p>Description:Frame Bar-R Qty:1</p>  <p>④934×60×18mm</p>	<p>Description:Frame Bar-L Qty:1</p>  <p>⑤934×60×18mm</p>
<p>Description:Brow Furrow Qty:1</p>  <p>⑥660×60×15mm</p>	<p>Description: Bottom Bar-Back Qty:1</p>  <p>⑦661×80×15mm</p>	<p>Description:Bottom Bar-Front Qty:1</p>  <p>⑧661×60×15mm</p>	<p>Description:Back Panel Qty:2</p>  <p>⑨947×344×3mm</p>	<p>Description:Baseboard Qty:1</p>  <p>⑩660×60×15mm</p>
<p>Description:Bottom of Big Drawer Qty:3</p>  <p>⑪616×343×3mm</p>	<p>Description:Drawer Side Panel-L Qty:5</p>  <p>⑫350×120×15mm</p>	<p>Description:Drawer Side Panel-R Qty:5</p>  <p>⑬350×120×15mm</p>	<p>Description:Back of Big Drawer Qty:3</p>  <p>⑭606×120×15mm</p>	<p>Description: Drawer Front-Big Qty:3</p>  <p>⑮656×183×15mm</p>
<p>Description:Center bar Qty:2</p>  <p>⑯661×80×15mm</p>	<p>Description: Bottom of Small Drawer Qty:2</p>  <p>⑰343×278×3mm</p>	<p>Description:Upper Erector Qty:1</p>  <p>⑱372×240×15mm</p>	<p>Description:Drawer Front-R Qty:1</p>  <p>⑲325×181×15mm</p>	<p>Description:Drawer Front-L Qty:1</p>  <p>⑳325×181×15mm</p>
<p>Description: Back of Small Drawer Qty:2</p>  <p>㉑268×120×15mm</p>	<p>Description:All Fixings Qty:1</p>  <p>㉒230×380×30mm</p>			

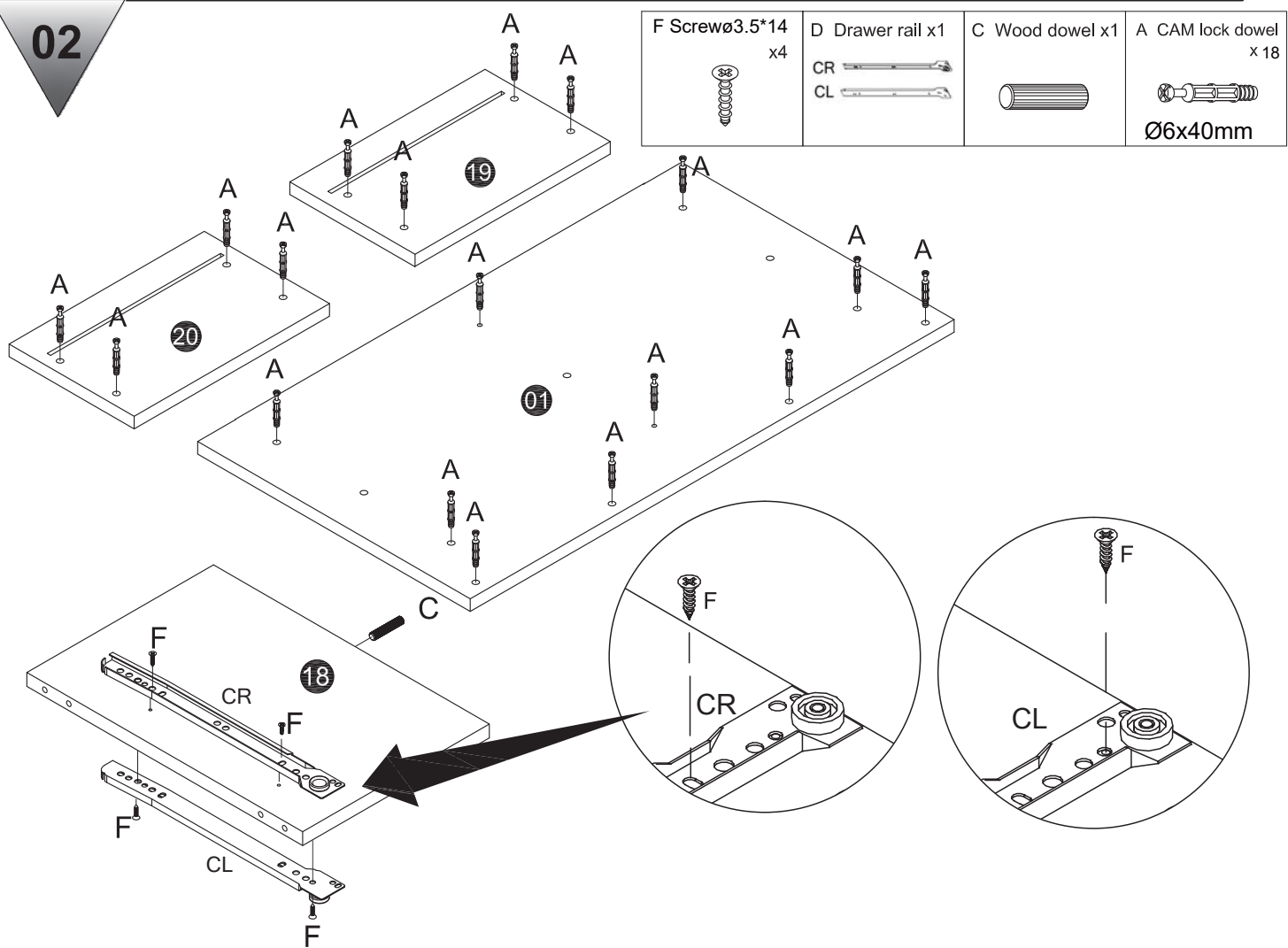
<p>A CAM lock dowel Ø6x40mm x60</p> 	<p>B CAM lock x60 Ø15x20mm</p> 	<p>C Wood dowel x8 Ø8x40mm</p> 	<p>D Drawer rail x5</p> <p>CR </p> <p>CL </p> <p>DR </p> <p>DL </p>	<p>E Screw Ø3.5x35 x24</p> 
<p>F Screw Ø3.5x14 x40</p> 	<p>G Nail x40</p> 	<p>H Handle&amp;Screw x8</p> 	<p>I Nail Leg x4</p> 	<p>J Anti-falling accessory x1</p> 





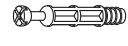
01



C Wood dowel x2  Ø8x40mm	A CAM lock dowel x16  Ø6x40mm
F Screw Ø3,5x14 x16 	D Drawer rail x4 CR  CL 

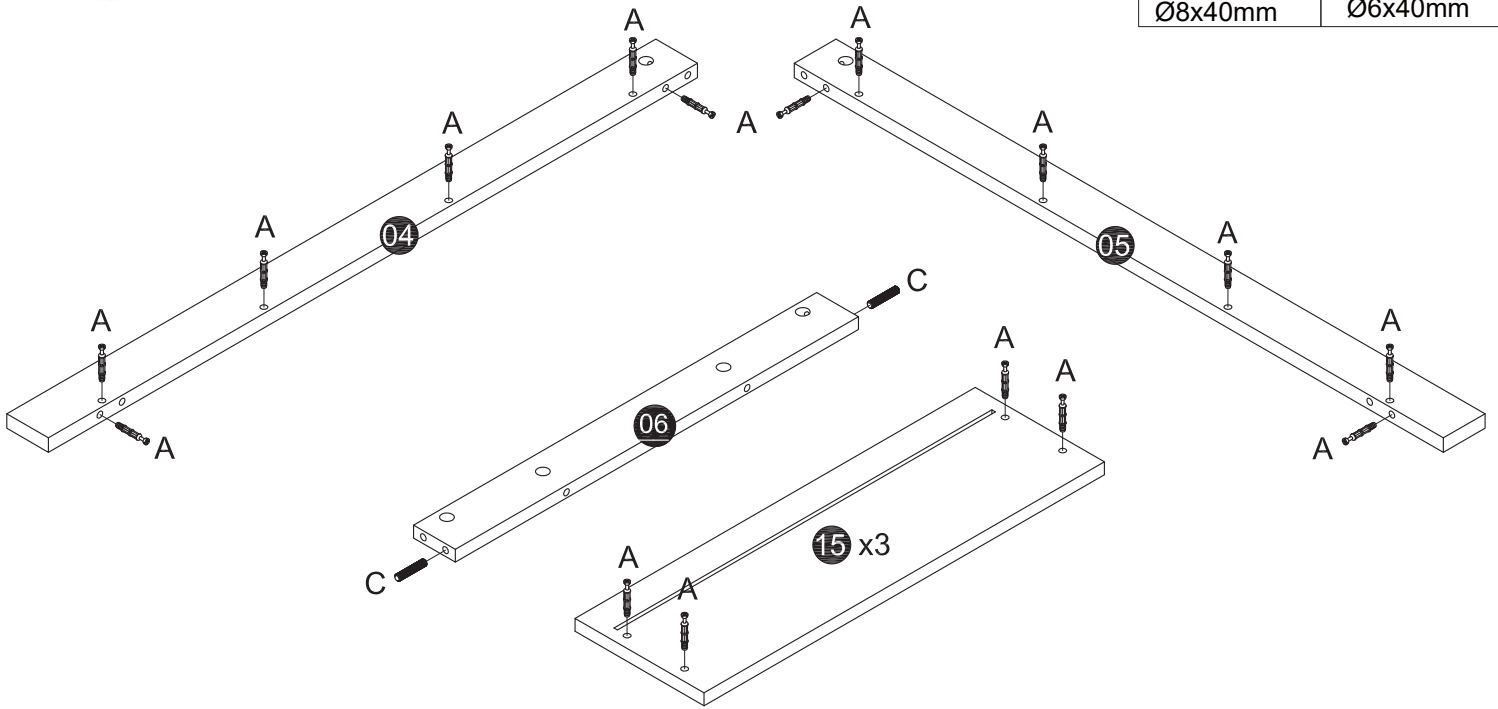
02



F Screw Ø3,5*14 x4 	D Drawer rail x1 CR  CL 	C Wood dowel x1 	A CAM lock dowel x18  Ø6x40mm
---	--	--	--

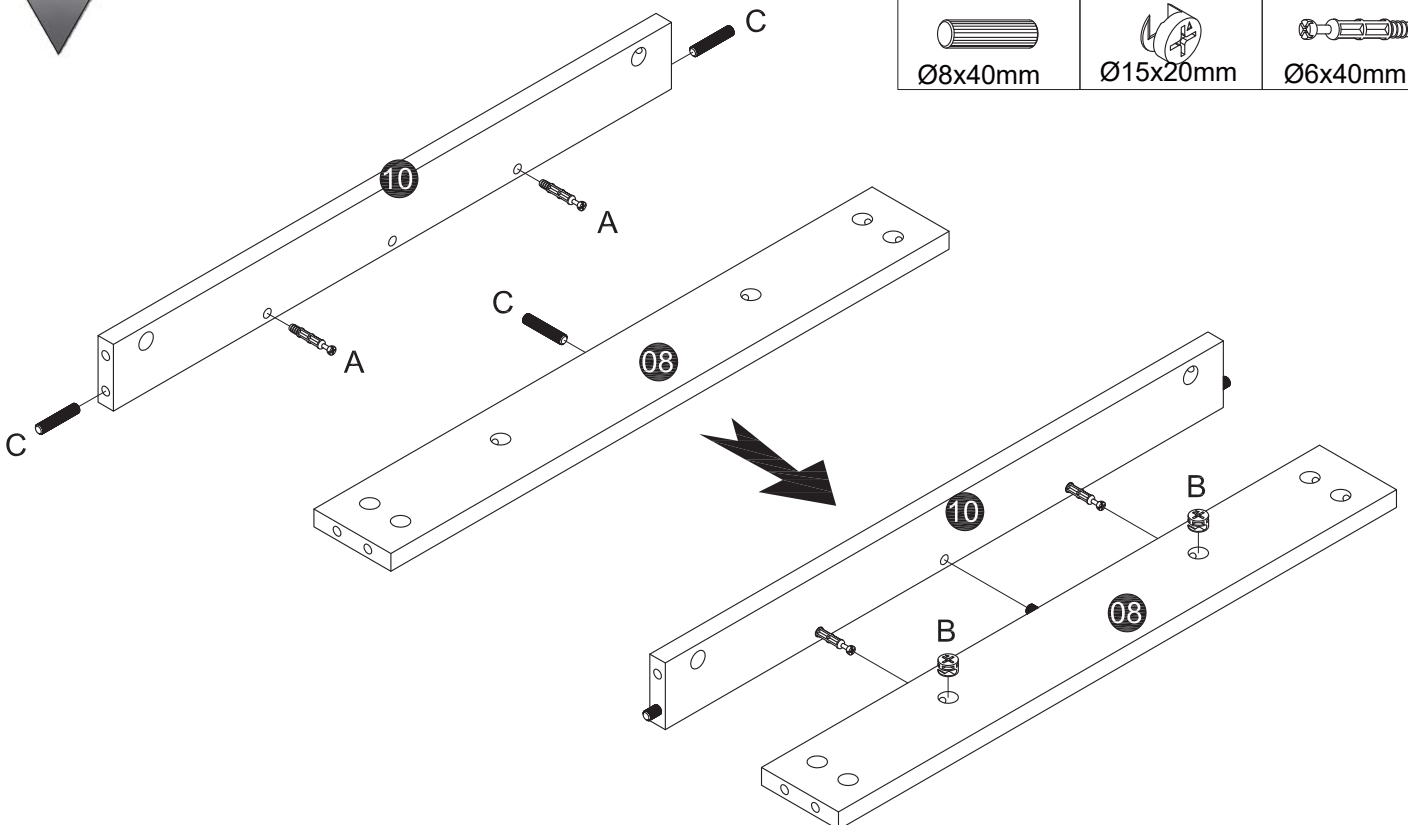
03

C Wood dowel x2 Ø8x40mm	A CAM lock dowel x24 Ø6x40mm
----------------------------	------------------------------------

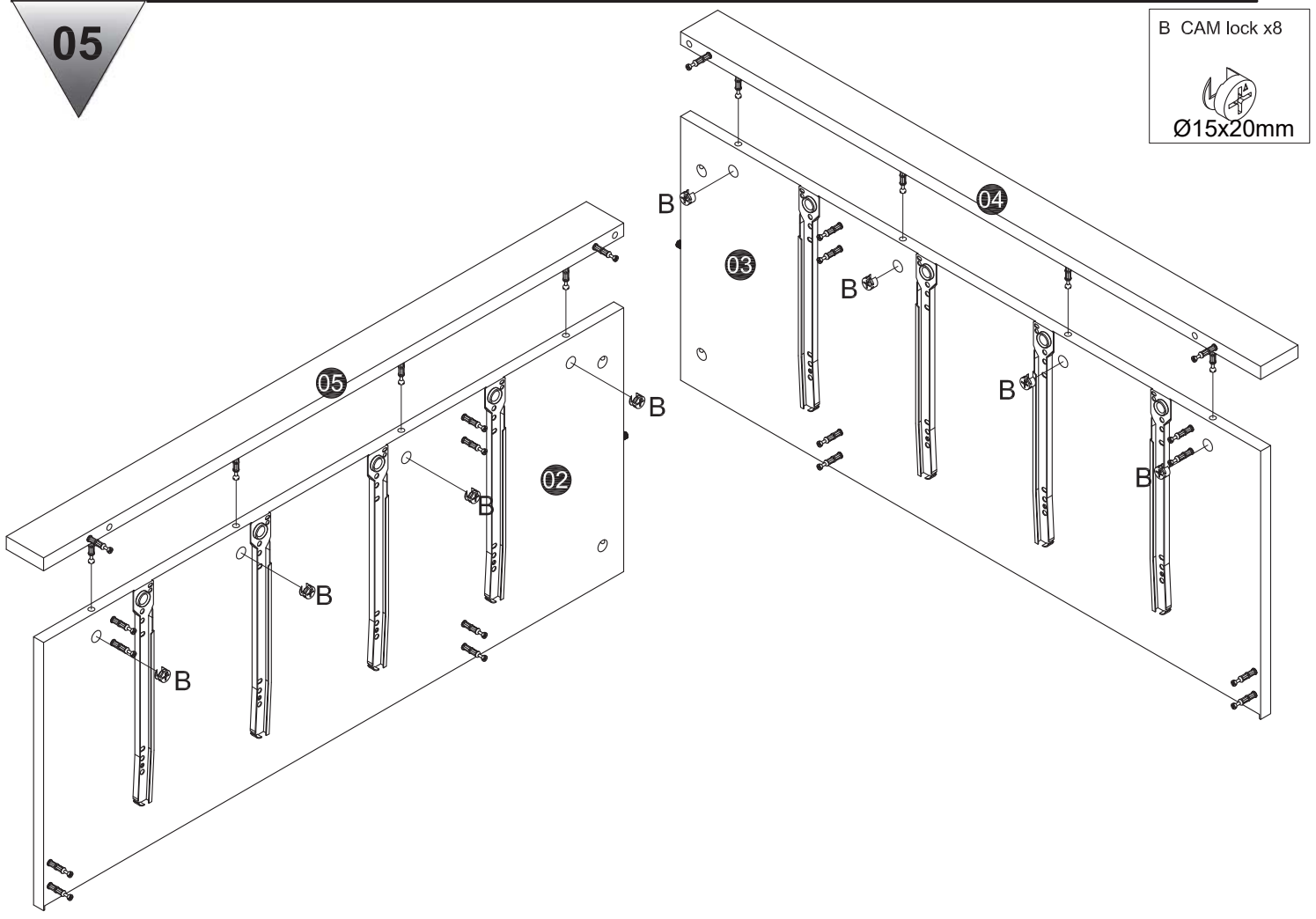


04

C Wood dowel x3 Ø8x40mm	B CAM lock x2 Ø15x20mm	A CAM lock dowel x2 Ø6x40mm
----------------------------	---------------------------	-----------------------------------



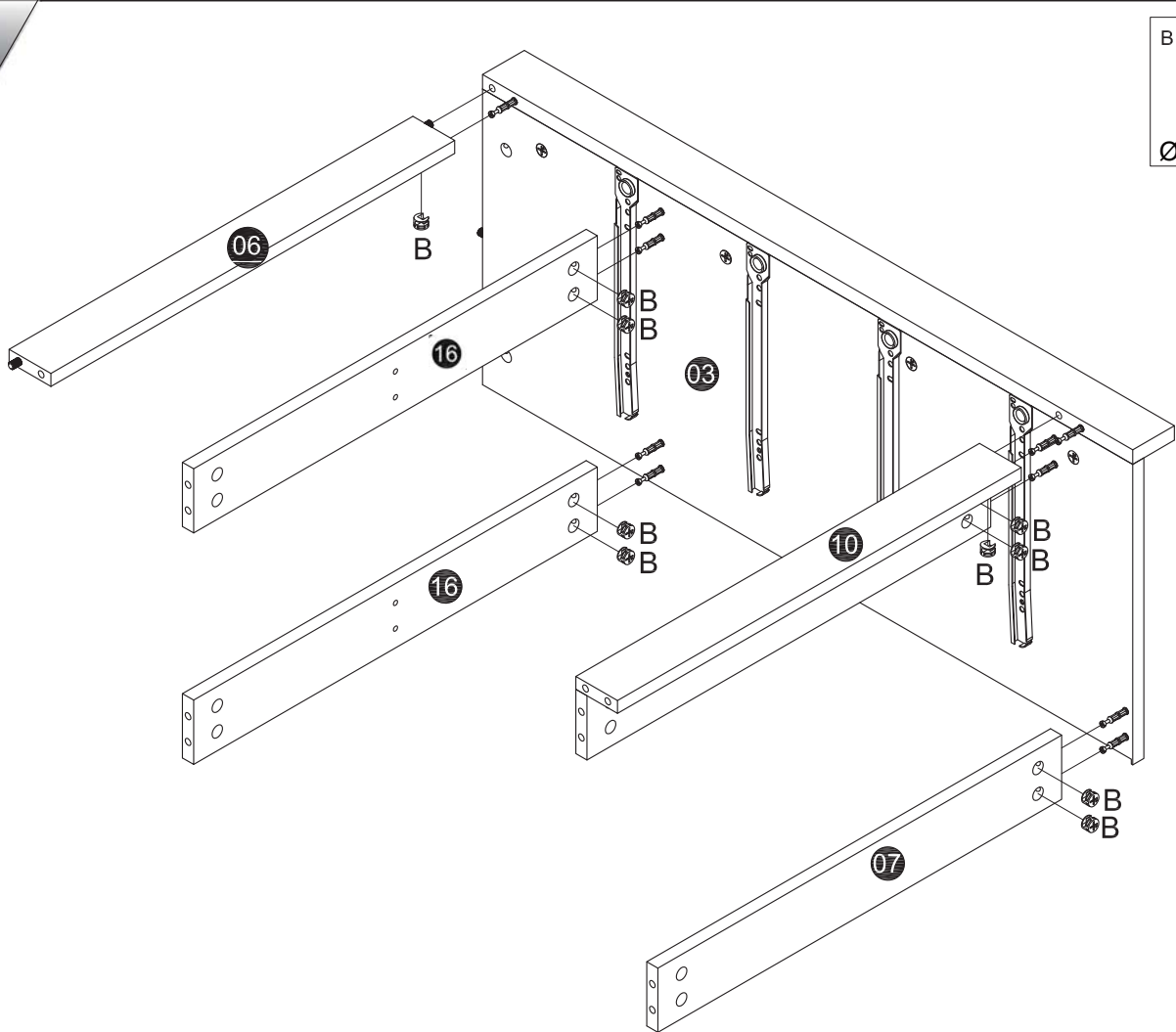
05



B CAM lock x8



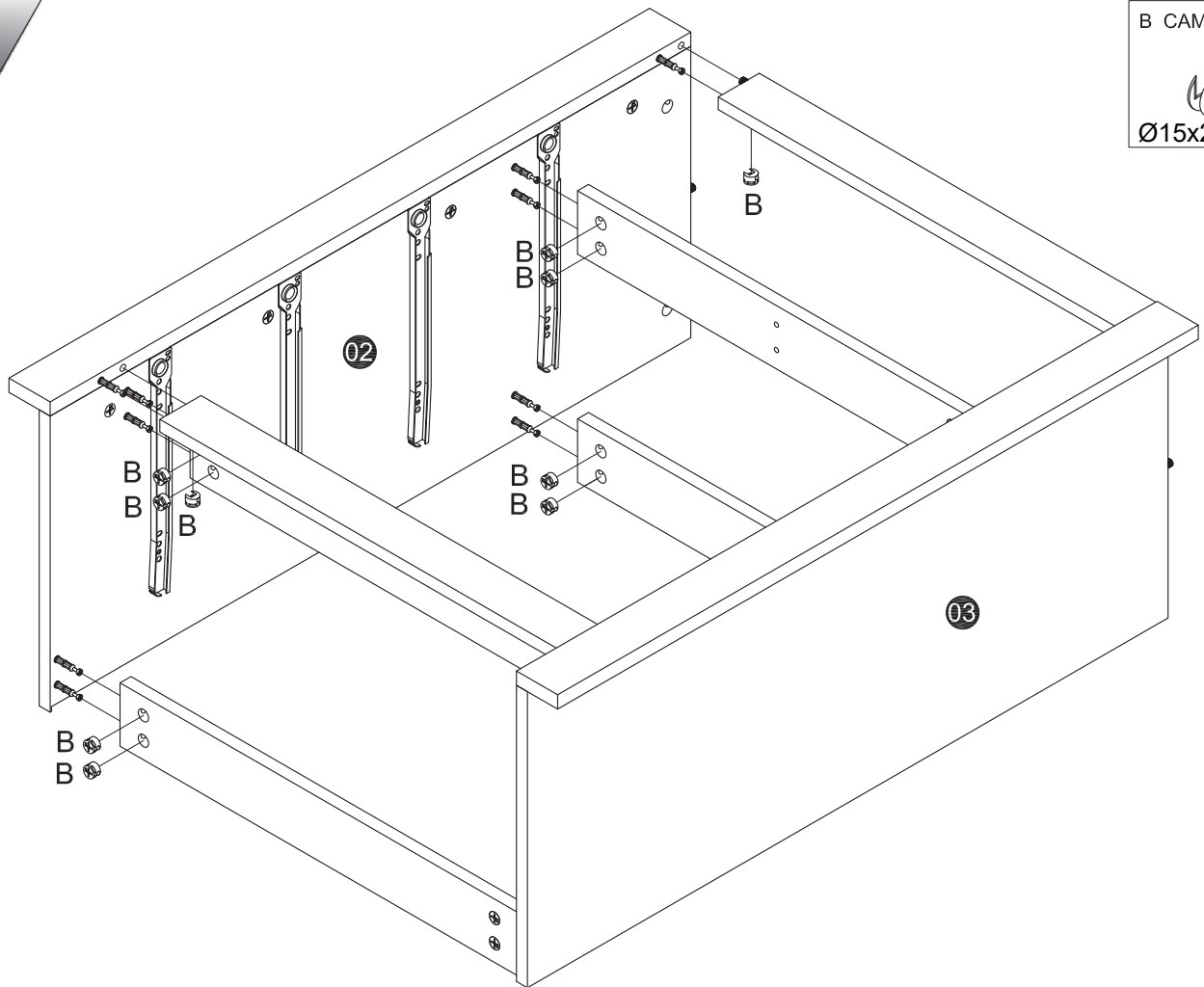
06



B CAM lock x10



07

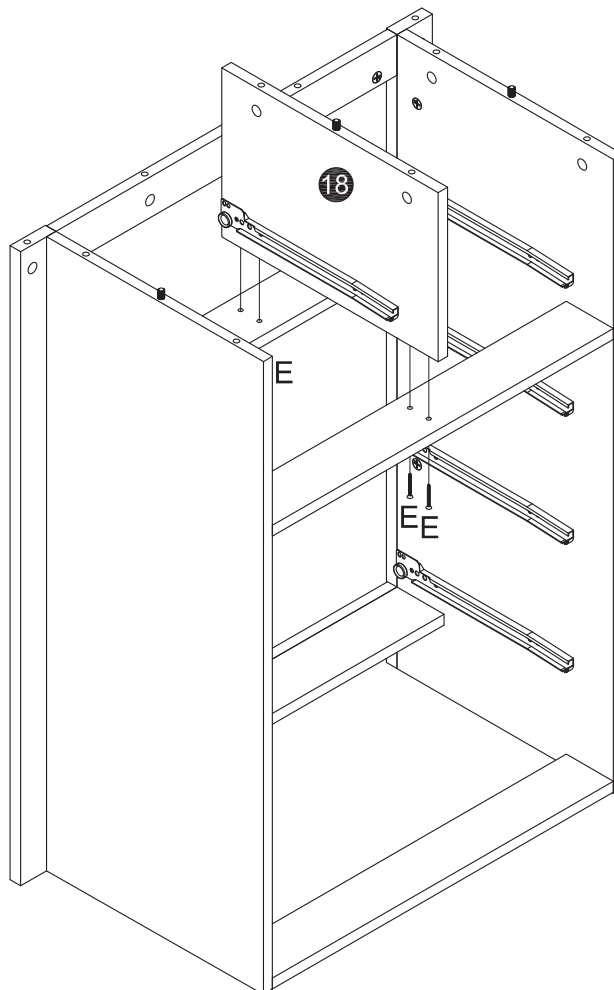


B CAM lock x10



Ø15x20mm

08

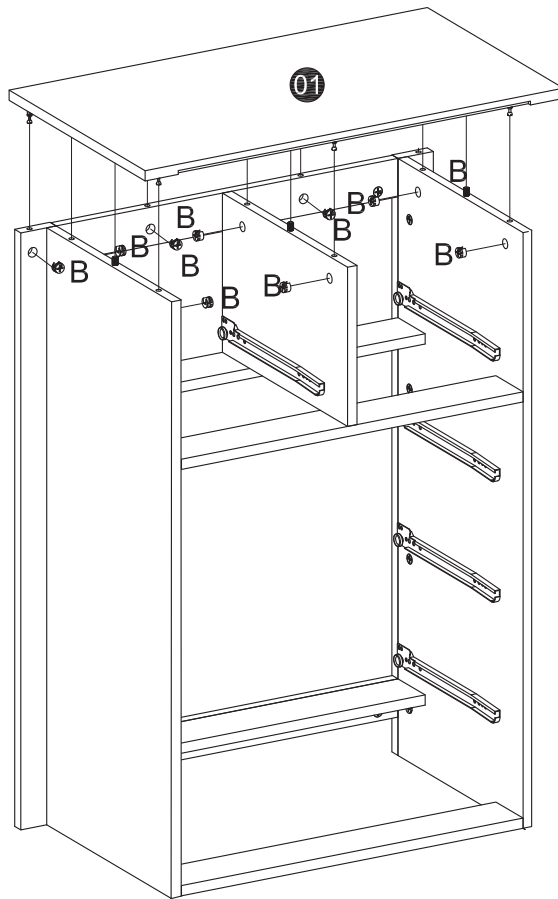


E Screw Ø3.5\*35  
x4





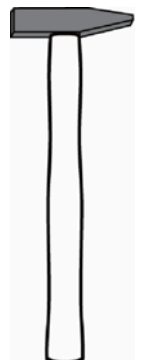
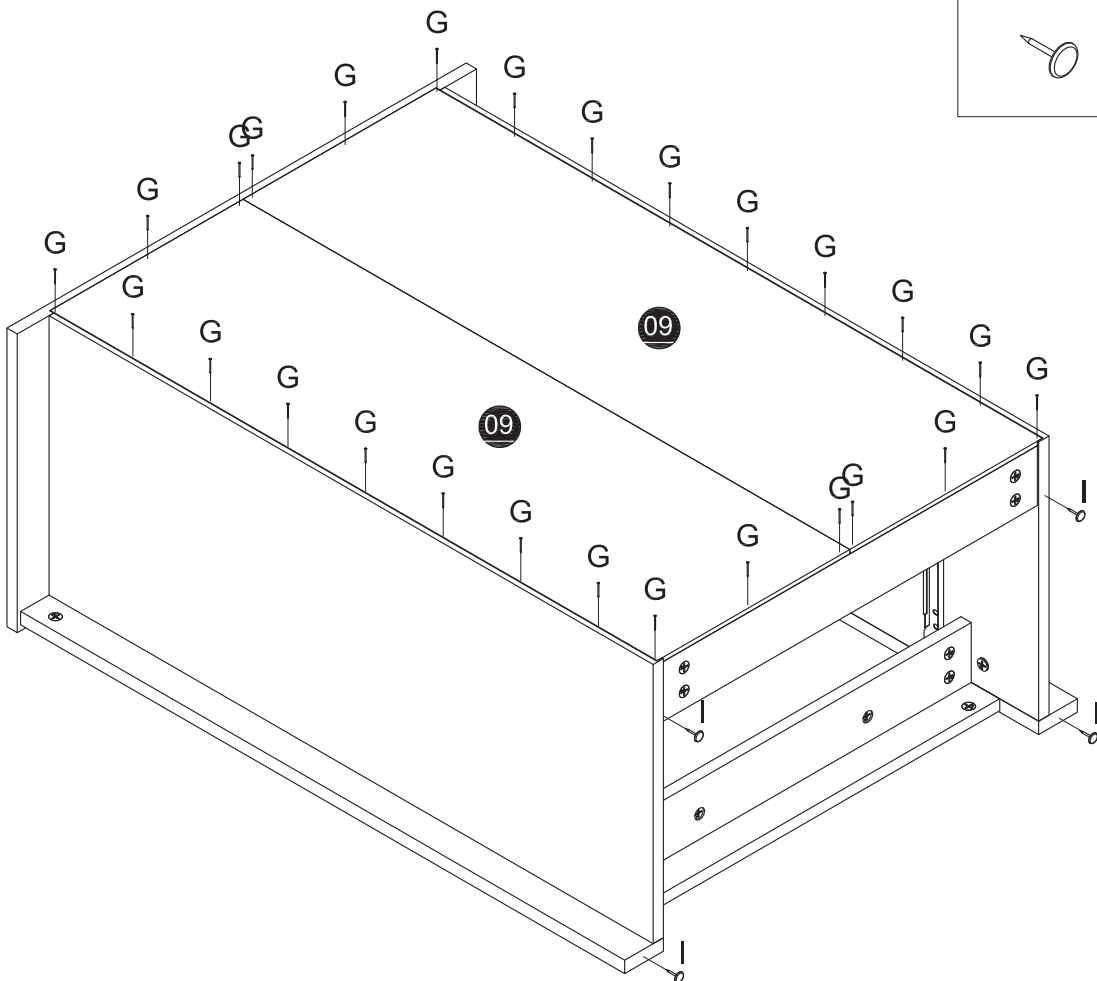
09

B CAM lock x10



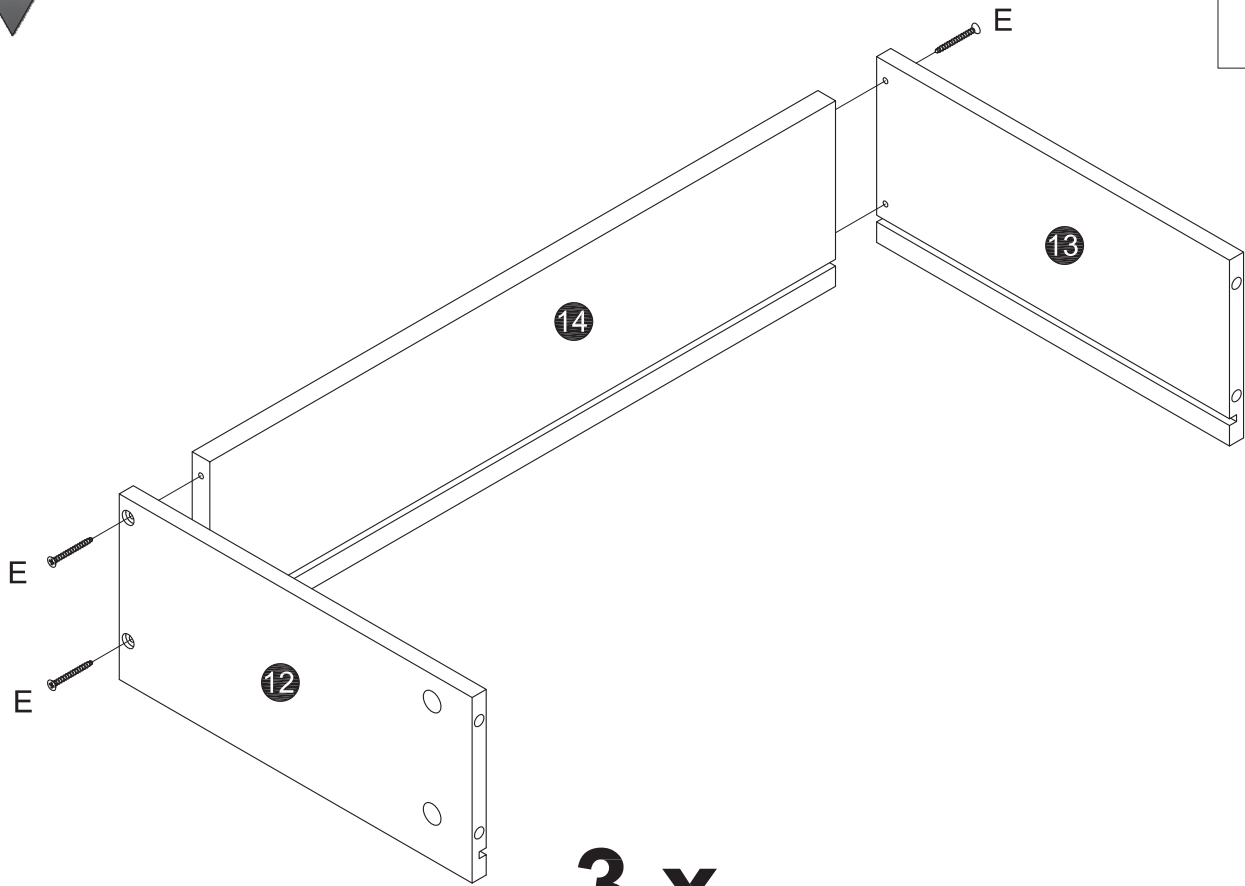
10

I Nail Leg x4	G Nail
	



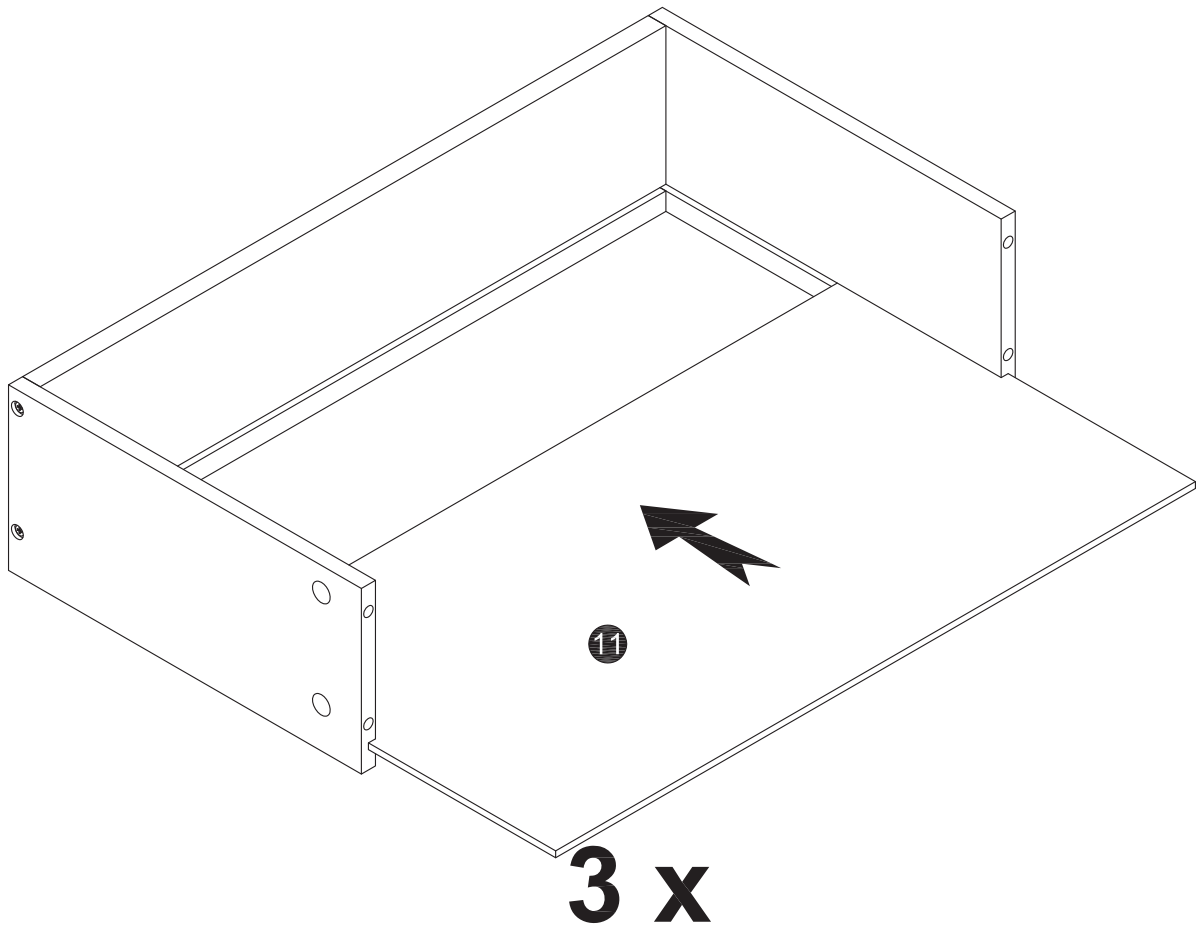
11

E Screw  $\varnothing 3.5 \times 35$   
x12



3 x

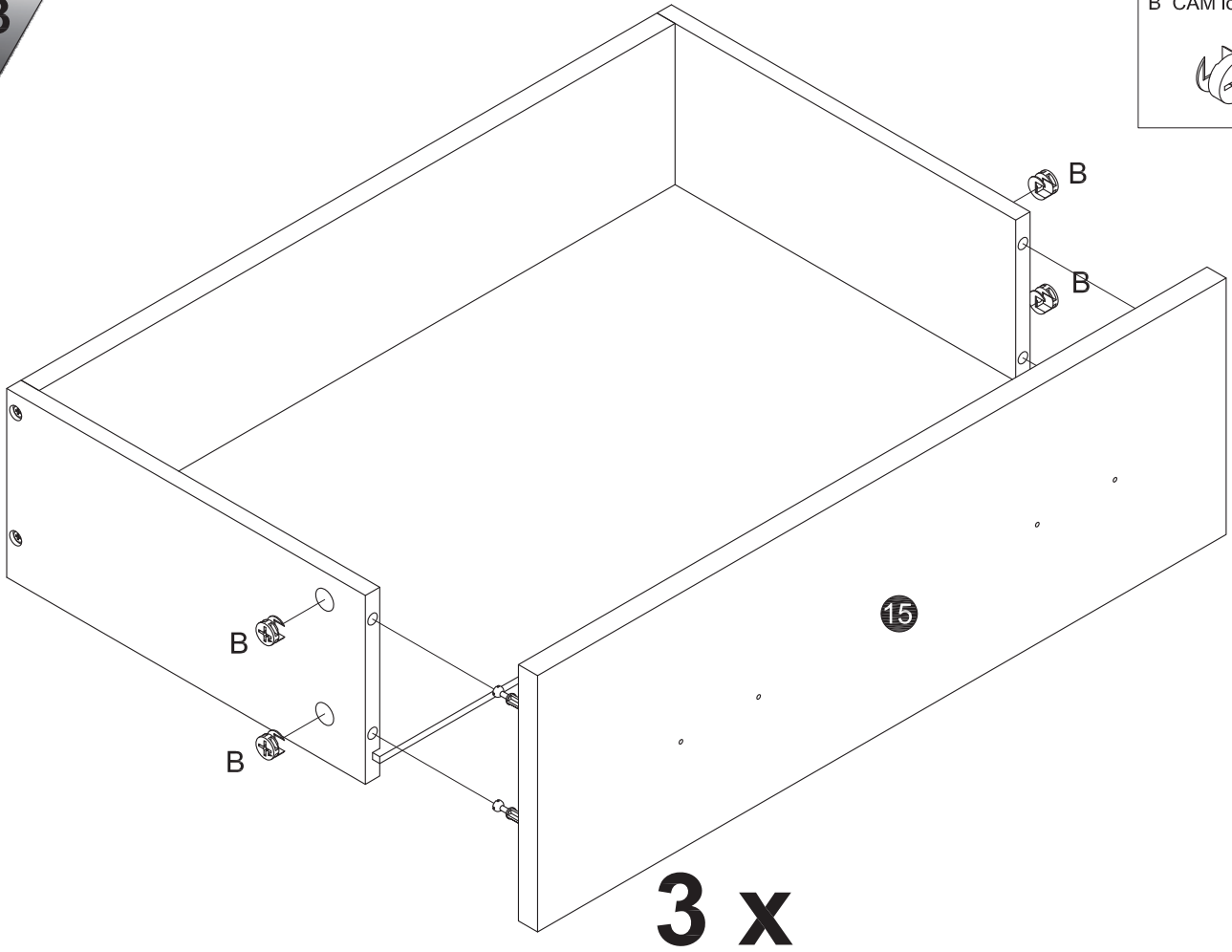
12



3 x

13

B CAM lock x12

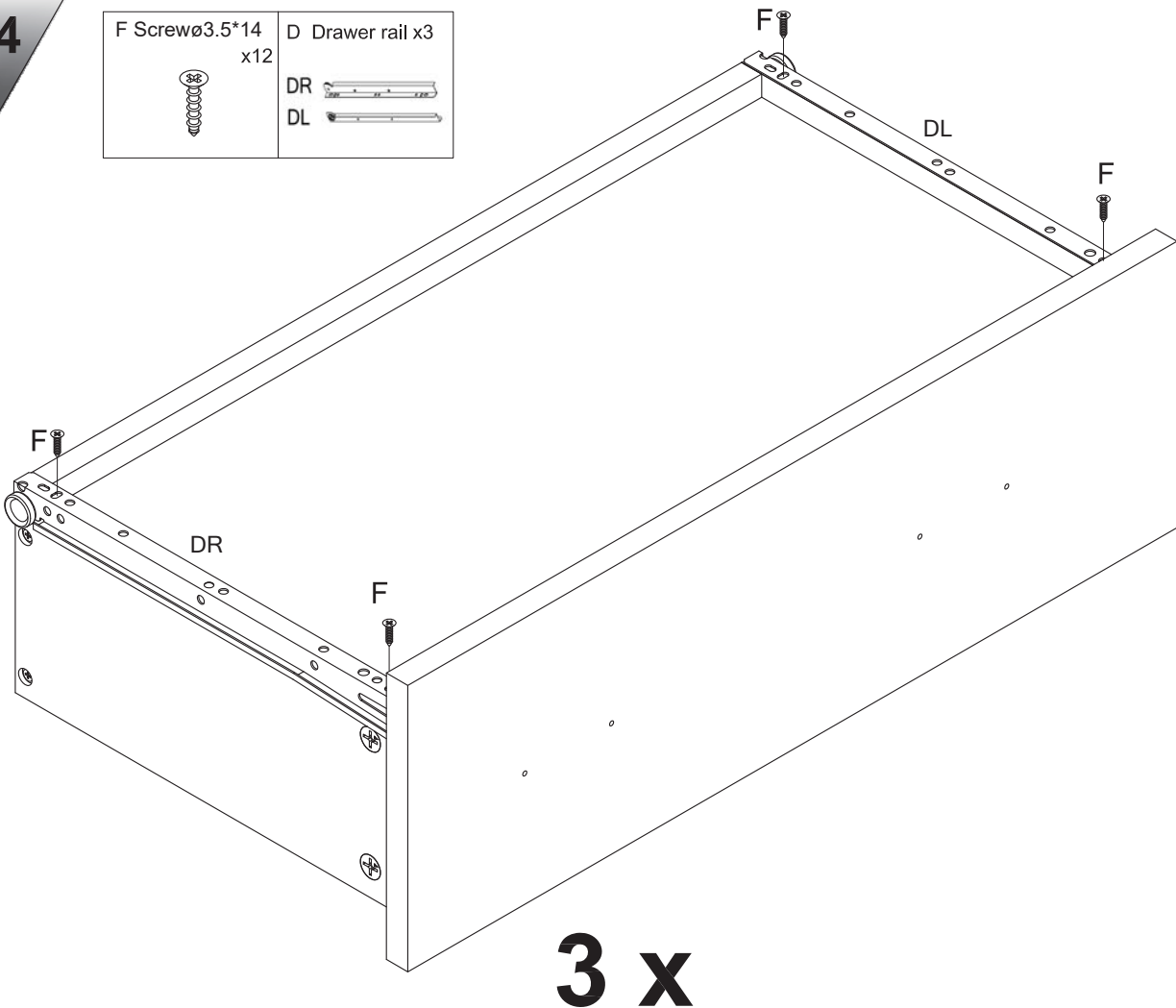


14

F Screw  $\varnothing 3.5 \times 14$   
x12

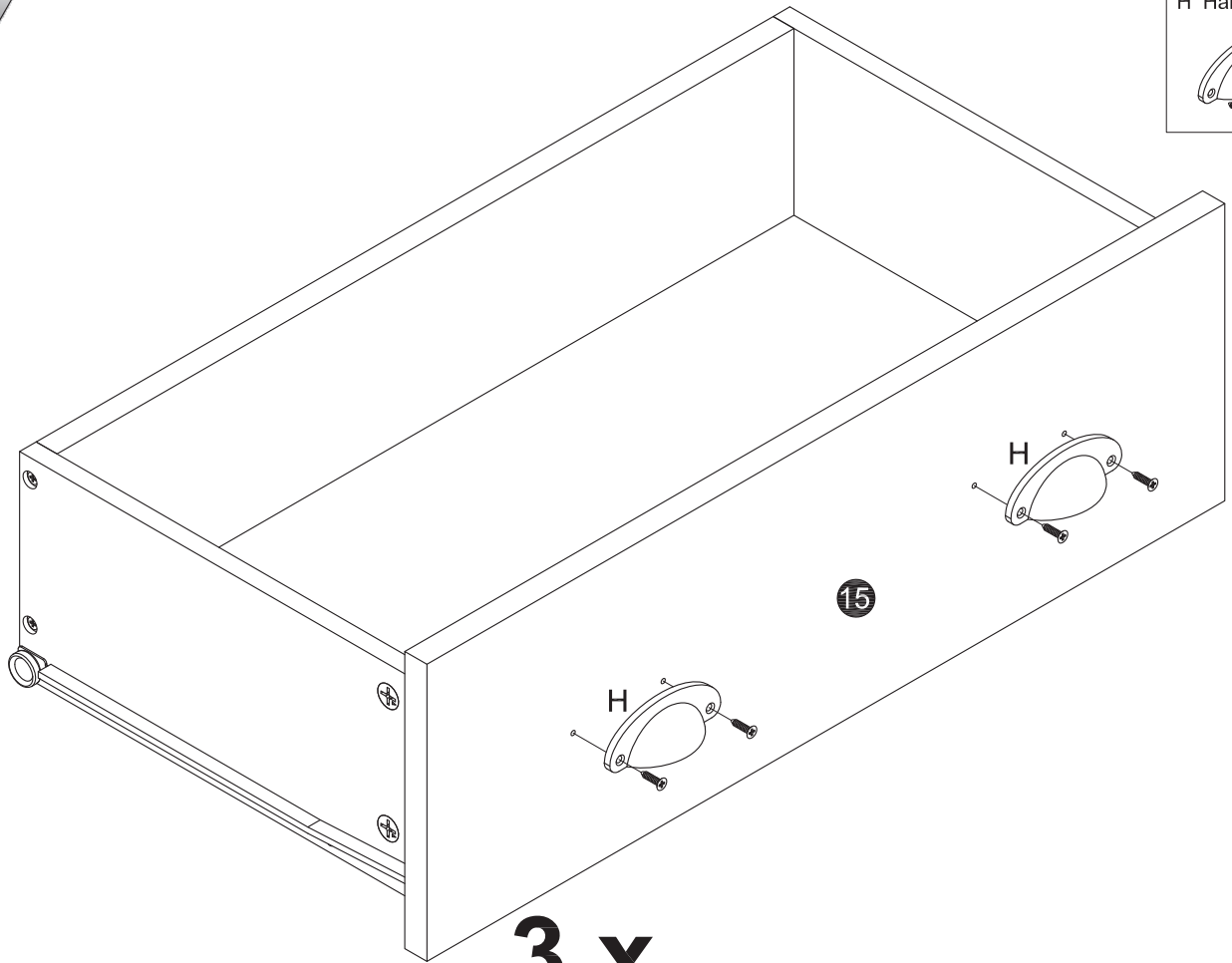


D Drawer rail x3



15

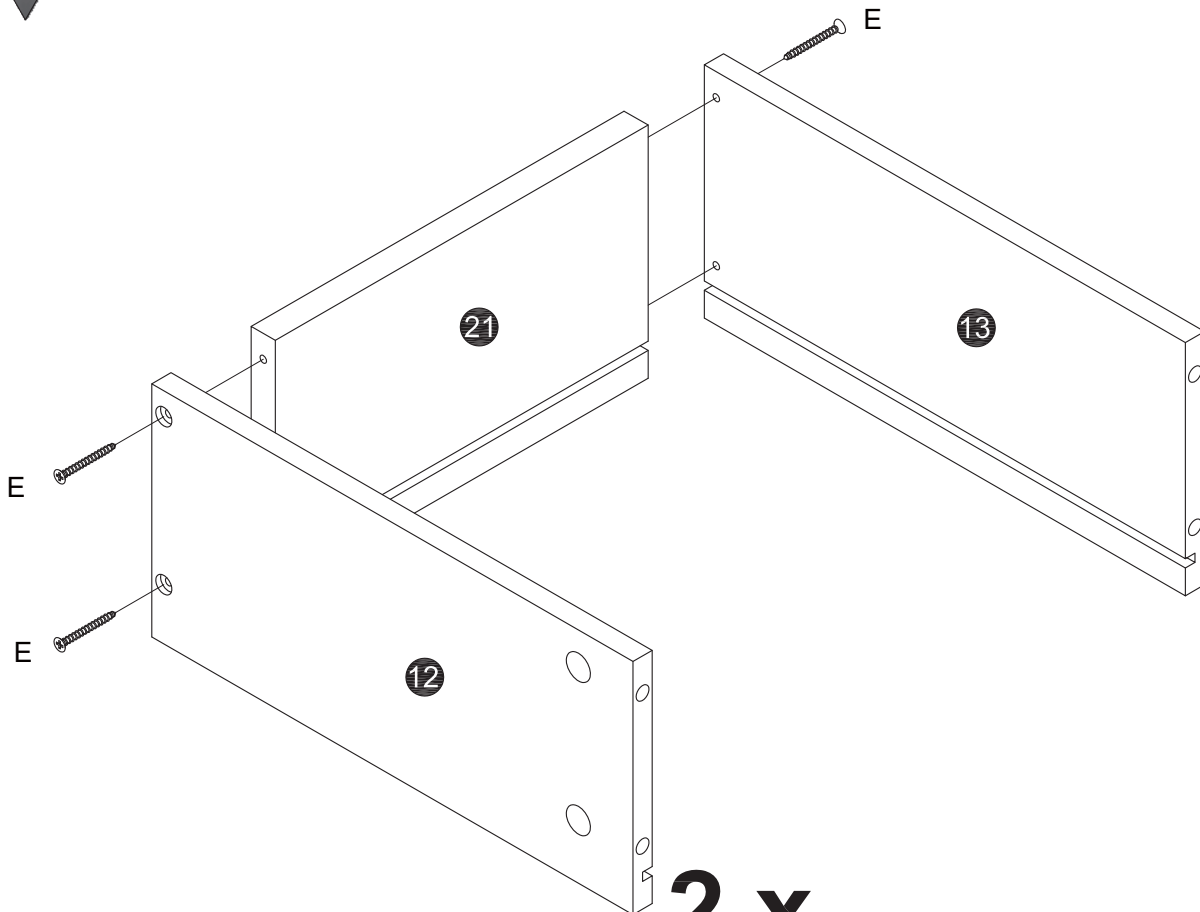
H Handle&Screw  
x6



3 x

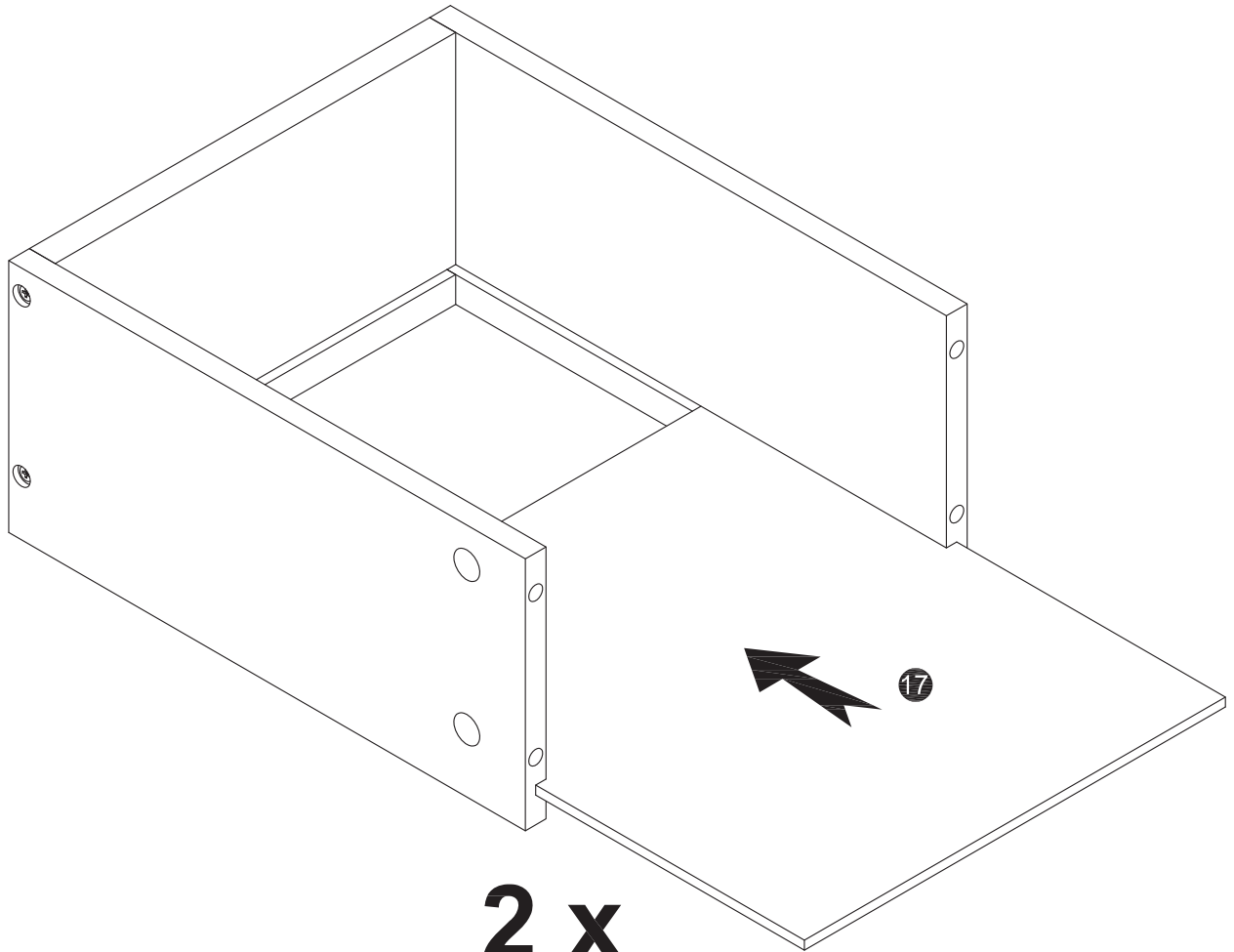
16

E Screw  $\varnothing 3.5 \times 35$   
x8



2 x

17



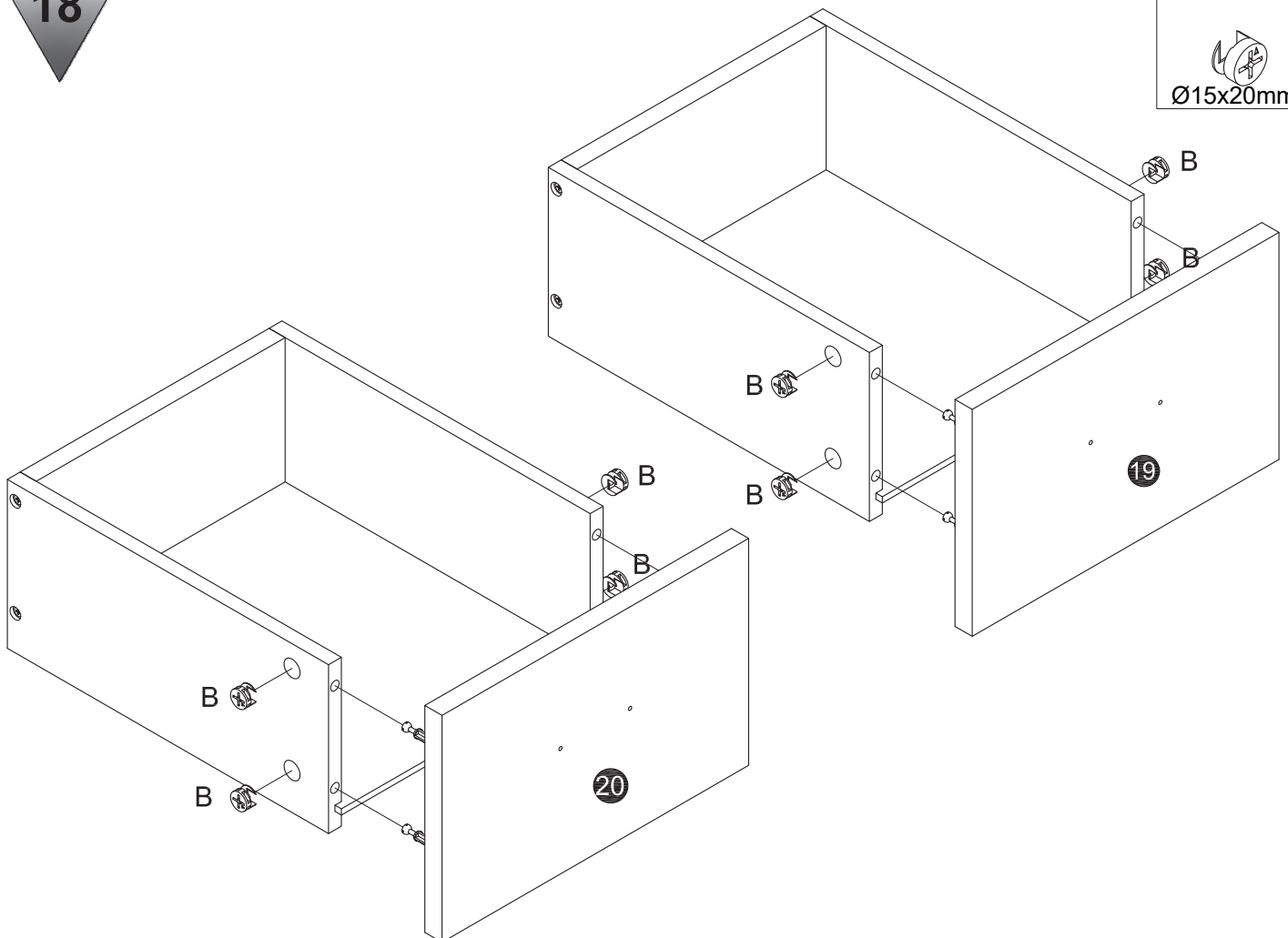
2 x

18

B CAM lock x8



Ø15x20mm



19

F Screw  $\varnothing 3.5 \times 14$   
x8

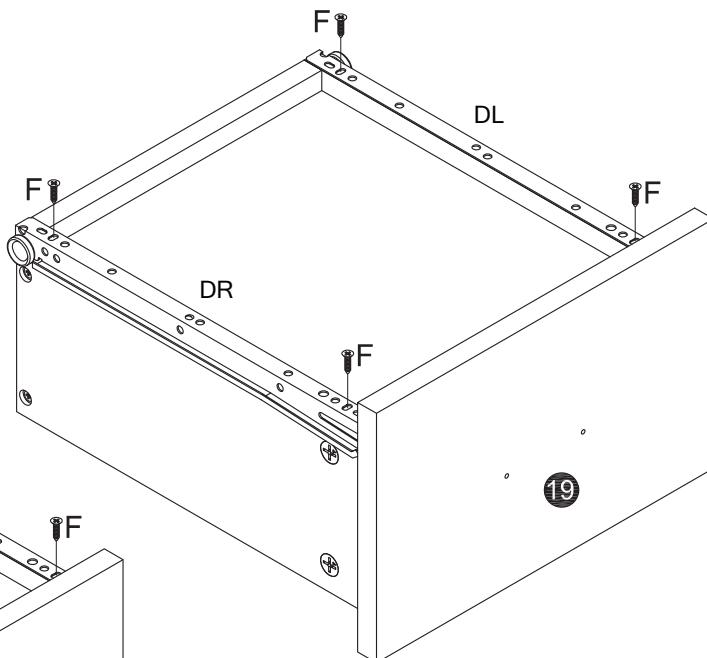
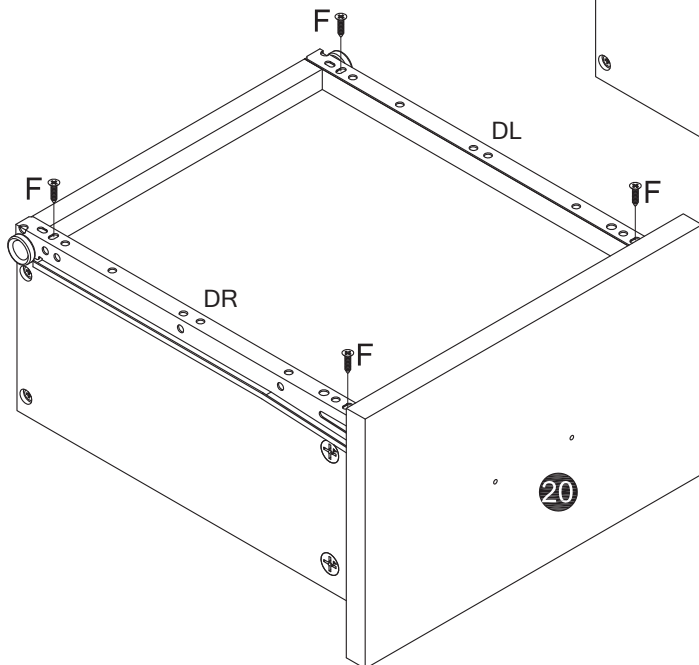
D Drawer rail x2



DR

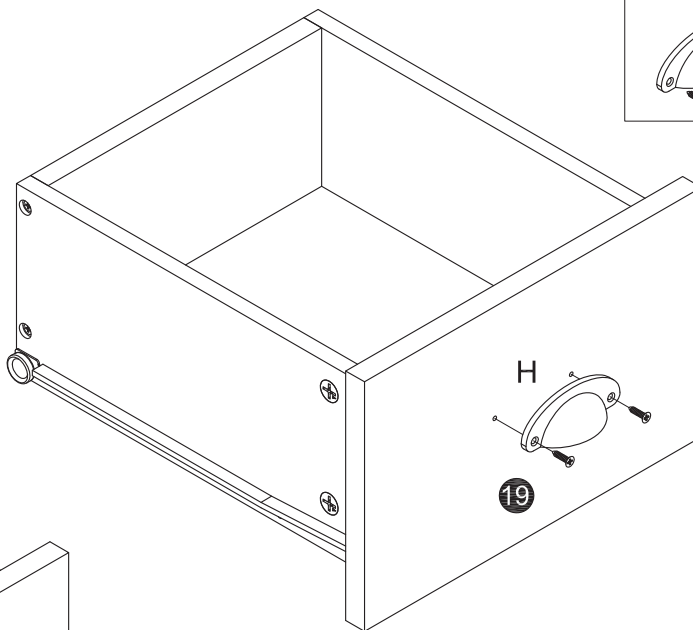
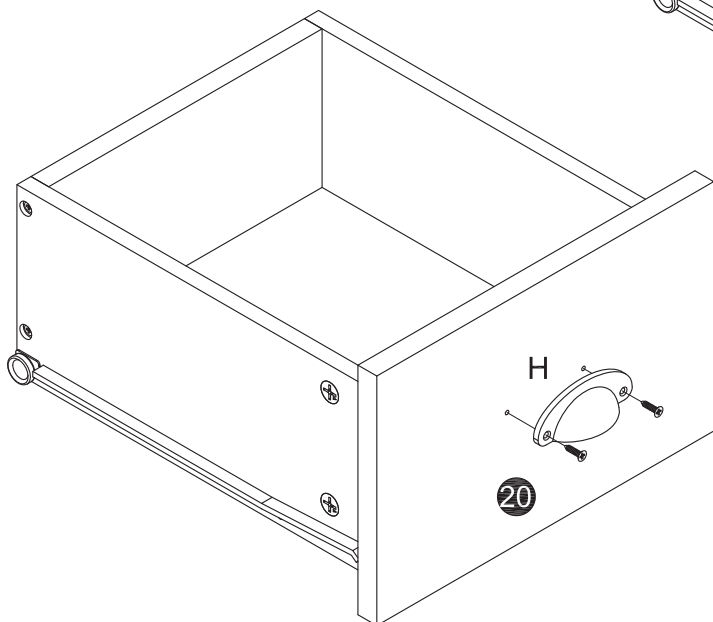


DL

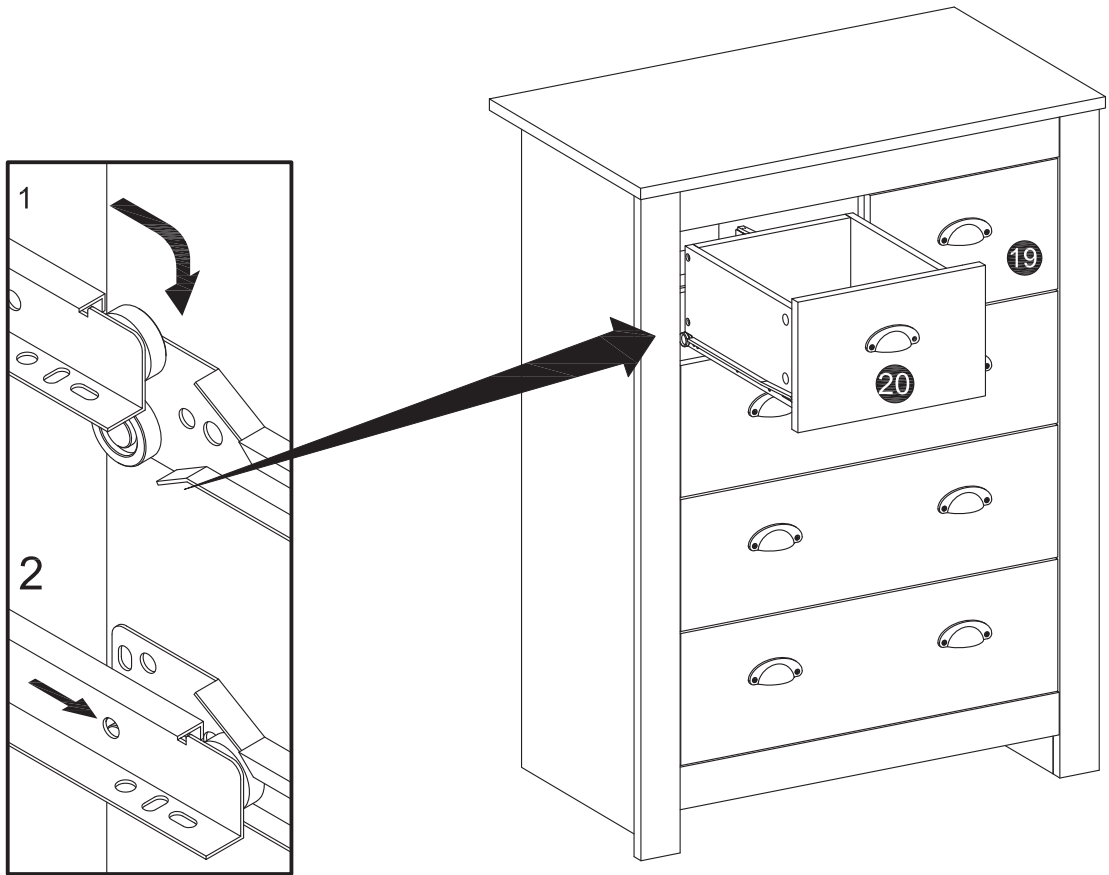


20

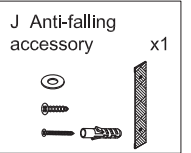
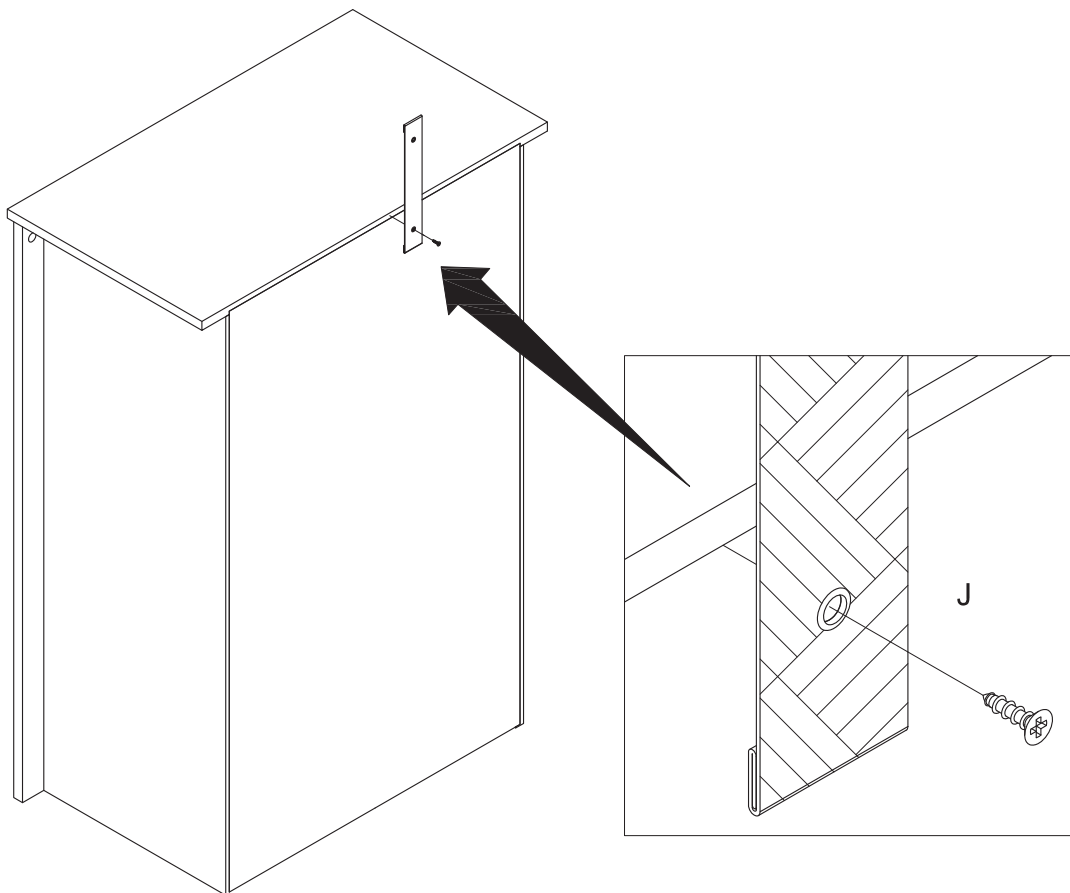
H Handle & Screw  
x2



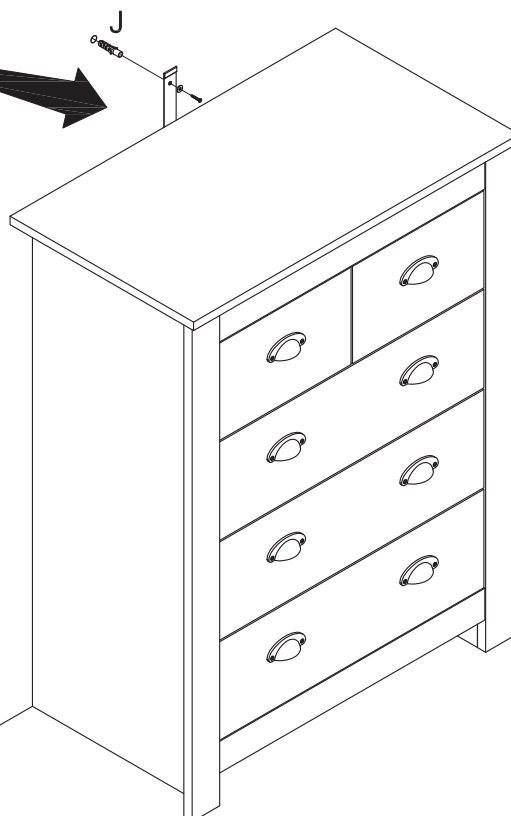
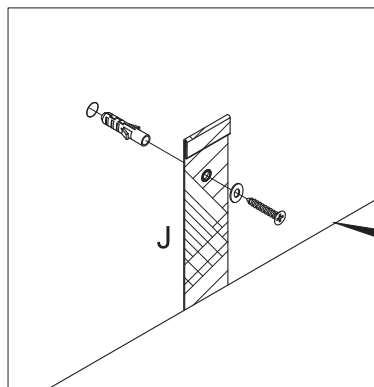
21



22



23



### CARE AND SAFETY GUIDELINES

Never use scourers, abrasives or chemical cleaners.

To clean, wipe with a damp sponge and warm soapy water. Do not use solvent based cleaners or detergents as they can bleach or damage the product.



For assistance with assembly, or to request replacement parts, log onto our website or call Customer Service.

**DO NOT RETURN THE PRODUCT TO THE STORE.**

Si vous avez besoin d'aide pour le montage, ou pour demander des pièces de rechange, connectez-vous sur notre site Web ou appelez le service à la clientèle.

**NE RETOURNEZ PAS LE PRODUIT AU MAGASIN.**

Para obtener ayuda sobre el montaje o para solicitar piezas de repuesto, conéctese a nuestra página web o llame a Atención al cliente.

**NO DEVUELVA EL PRODUCTO A LA TIENDA.**

Wenn Sie Hilfe beim Aufbau oder Ersatzteile benötigen, melden Sie sich auf unserer Webseite an oder rufen Sie unseren Kundenservice an.

**GEBEN SIE DAS PRODUKT NICHT IM GESCHÄFT ZURÜCK.**

Als u hulp nodig heeft bij de montage of vervangende onderdelen wilt bestellen, kunt u inloggen op onze website of bellen met de klantenservice.

**BRENG HET PRODUCT NIET TERUG NAAR DE WINKEL.**

Per assistenza al montaggio, o per richiedere pezzi di ricambio, accedi al nostro sito o chiama il servizio clienti.

**NON RESTITUIRE IL PRODOTTO AL NEGOZIO.**

Para obter ajuda na montagem, ou para solicitar peças de substituição, inicie a sessão no nosso sítio da Internet ou ligue para o Serviço de Apoio ao Cliente.

**NÃO DEVOLVA O PRODUTO À LOJA.**