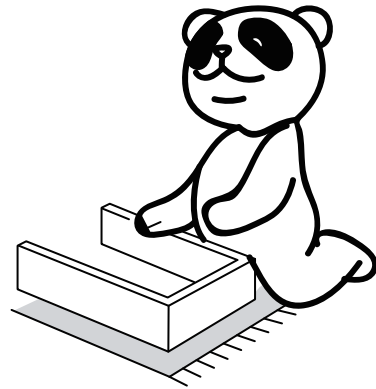
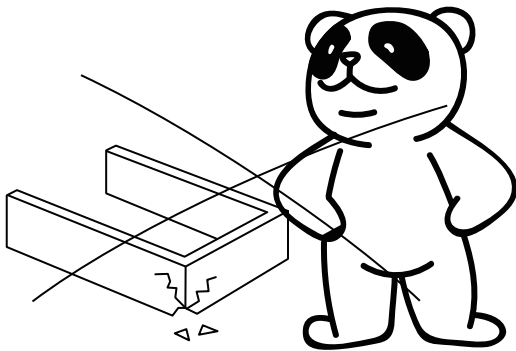
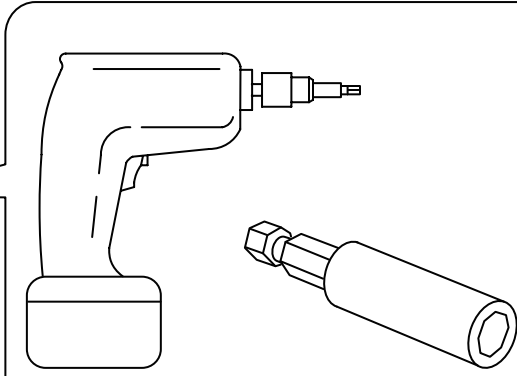
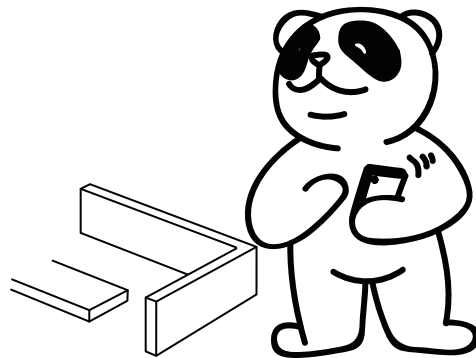
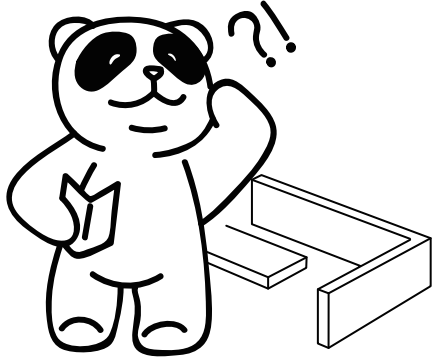


T-B 737 Q/F/T

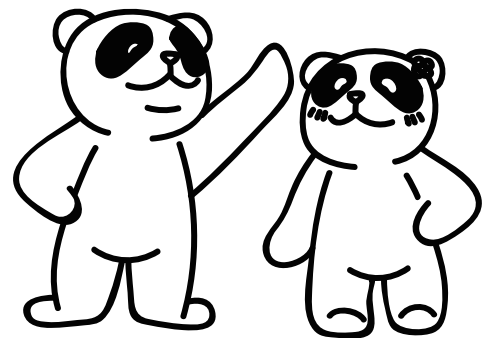
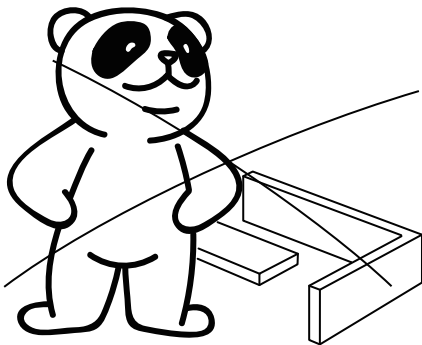
Version: 1.1



Violent installation is prohibited

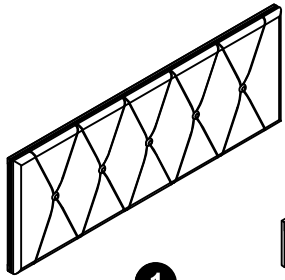


Please call if you need help

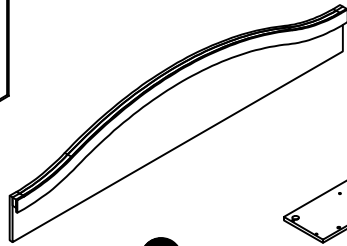


Multi-person cooperation is recommended

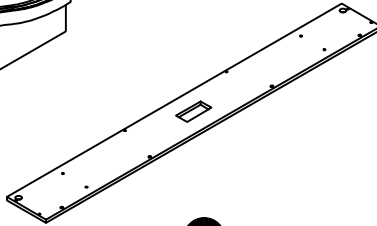
Assembly Instruction



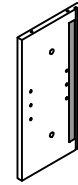
1
x1



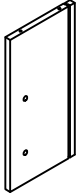
2
x1



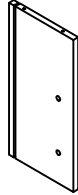
3
x1



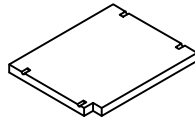
4
x2



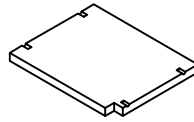
6
x1



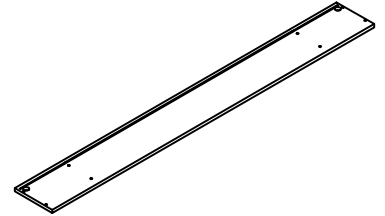
7
x1



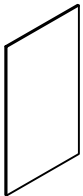
8
x1



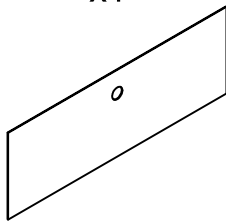
9
x1



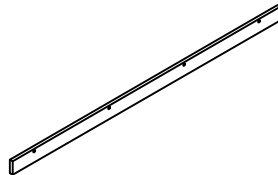
10
x1



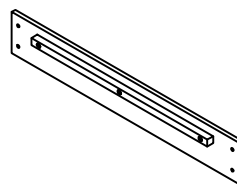
11
x2



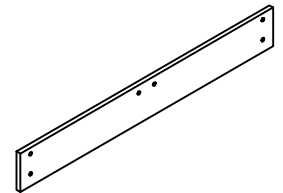
12
x1



13
x1



14
x4



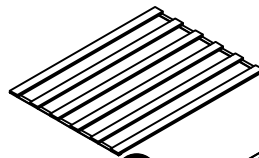
15
x1



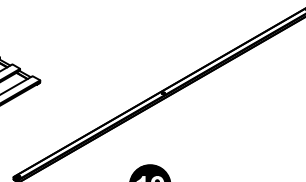
16
x1



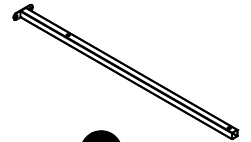
17
x1



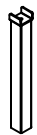
18
x2



19
x1



20
x2



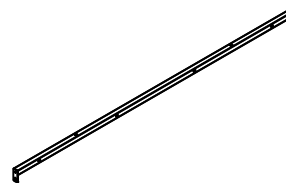
21
x2



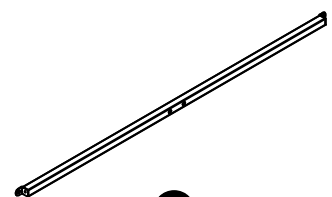
22
x1



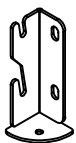
23
x2



24
x1



25
x1



26
x1



27
x1



28
x2

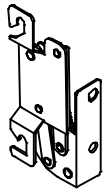


29
x2



30
x2

Assembly Instruction



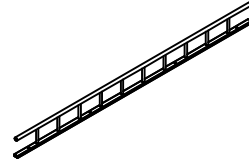
31
x1



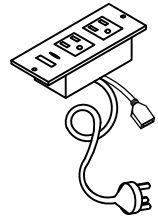
32
x1



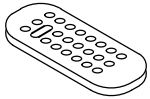
33
x2



34
x1

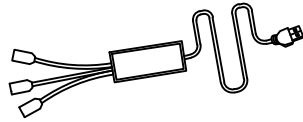


35
x1



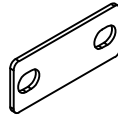
Remote control

36
x1

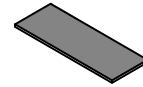


Power cord

37
x1

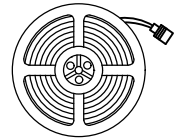


38
x4



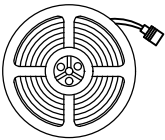
Magic tape

39
x5



Short light strip

40
x1



Long light strip

41
x2

Assembly Instruction



A

M6*10

x4+1



B

M6*15

x8+1



C

M6*20

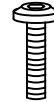
x4+1



D

M6*30

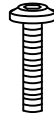
x2+1



E

M6*35

x4+1



F

M6*40

x2+1



G

M8*15

x40+3



H

M8*30

x6+1



J

M8*35

x4+1



K

M8*40

x4+1



L

M8*50

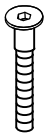
x1



M

M3*12

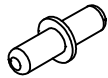
x2+1



N

M5*35

x18+2



O

x8



P

M5

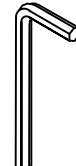
x1



Q

M6

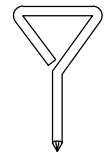
x1



R

M8

x1



S

x1



T

M3*16

x12+1

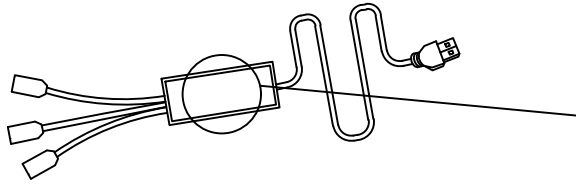


U

x12+1

Assembly Instruction

LED light strip electronic accessories list



x1

37 Power cord

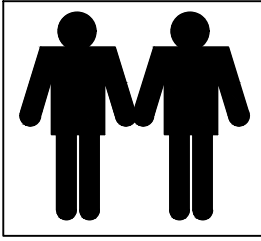


There is a two-dimensional code at the position of the power line. Scanning can download the APP for the control light

Assembly Instruction

Note:

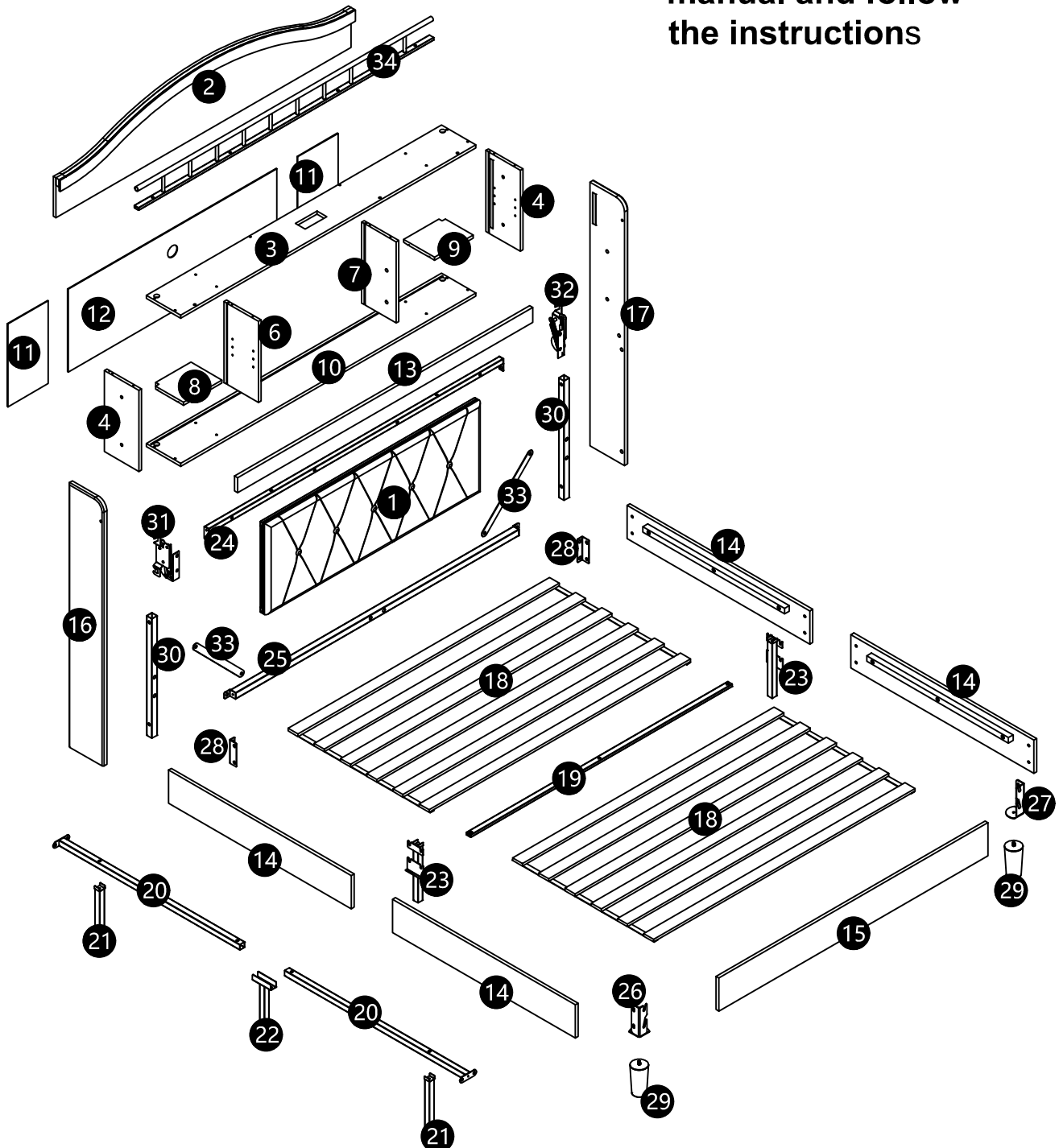
1. Should be assembled on flat ground to keep balance.
2. Before completing the installation, do not tighten the screws.



It needs at least two people to install !!

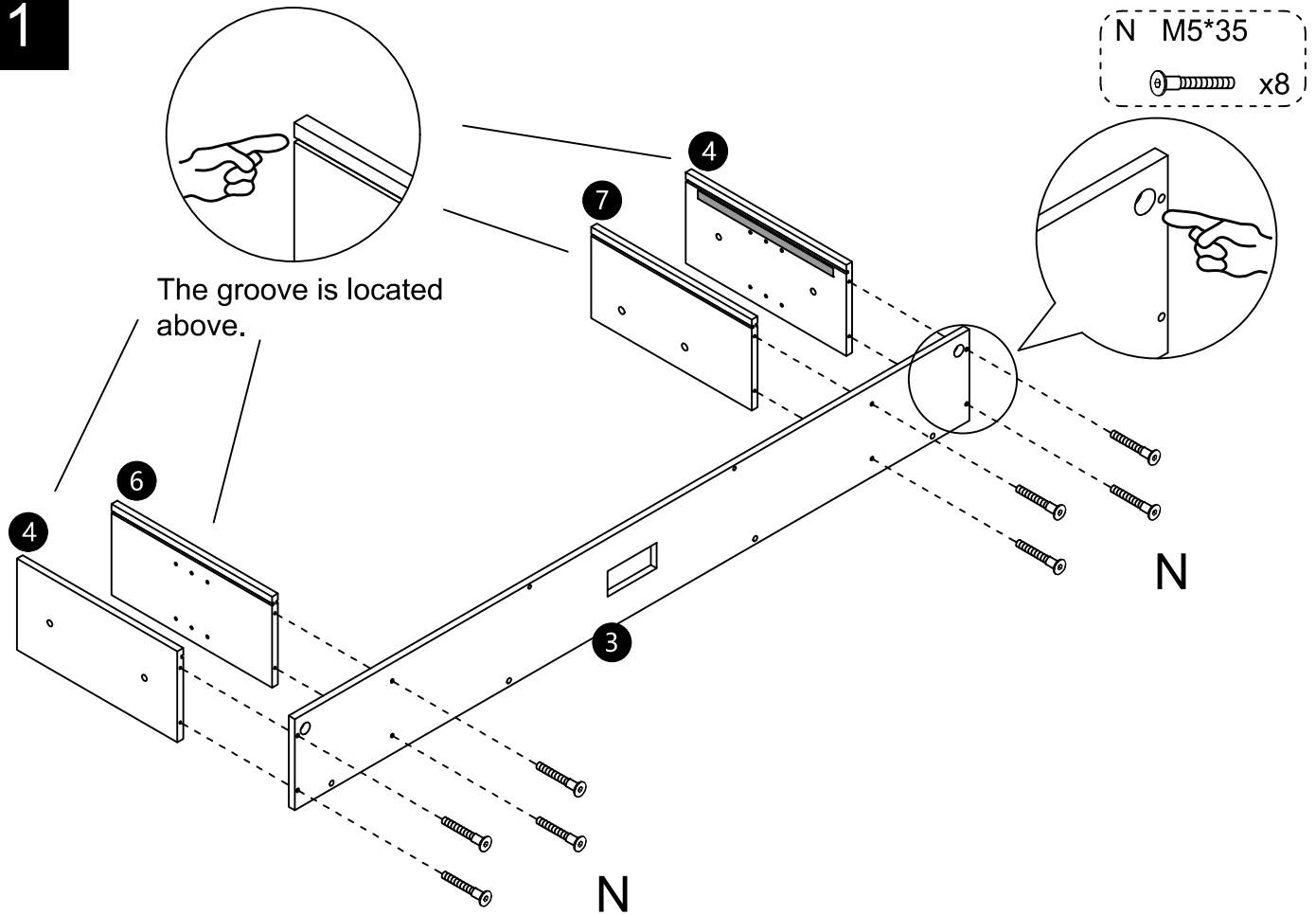


Before starting the assembly, you must read the whole manual and follow the instructions

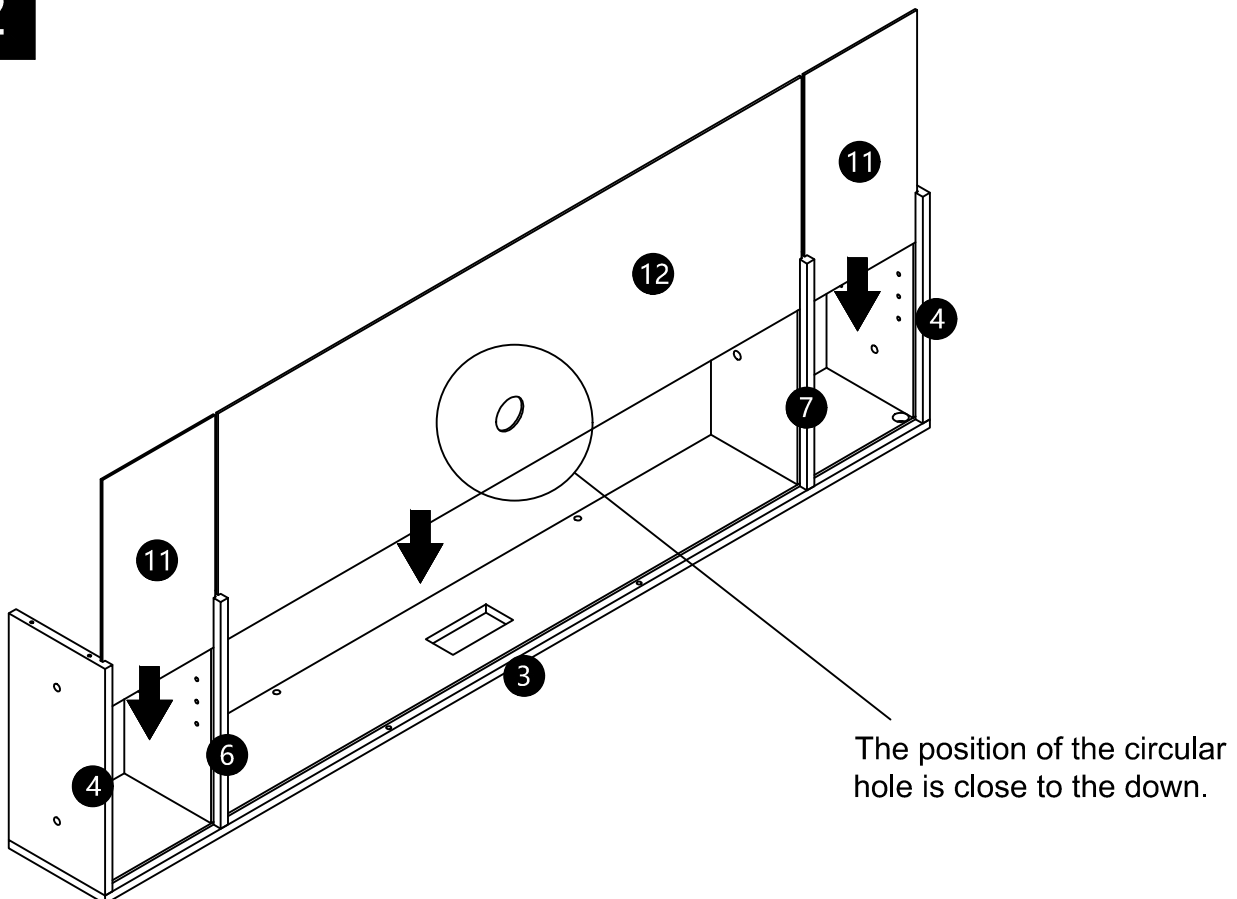


Assembly Instruction

1

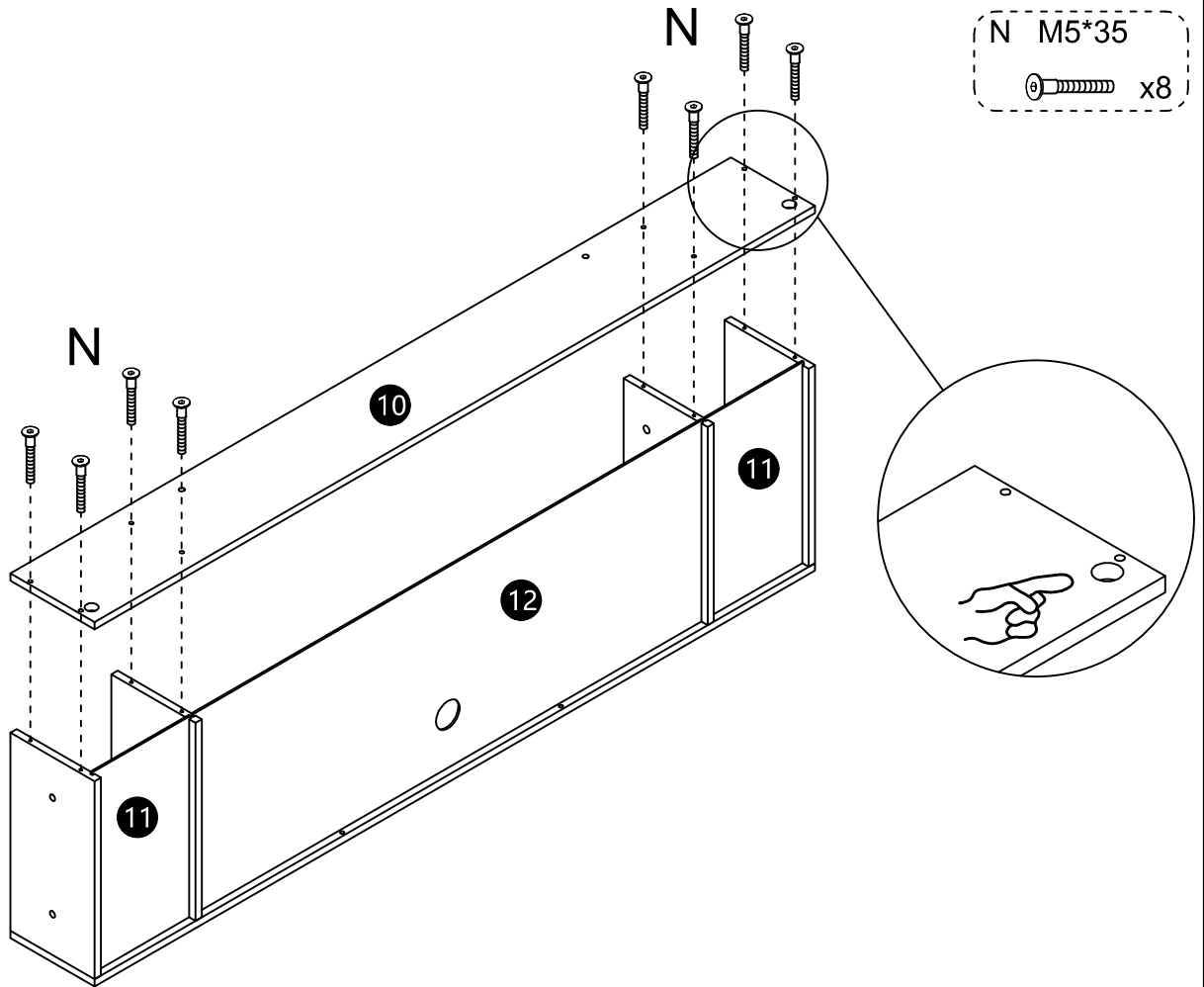


2

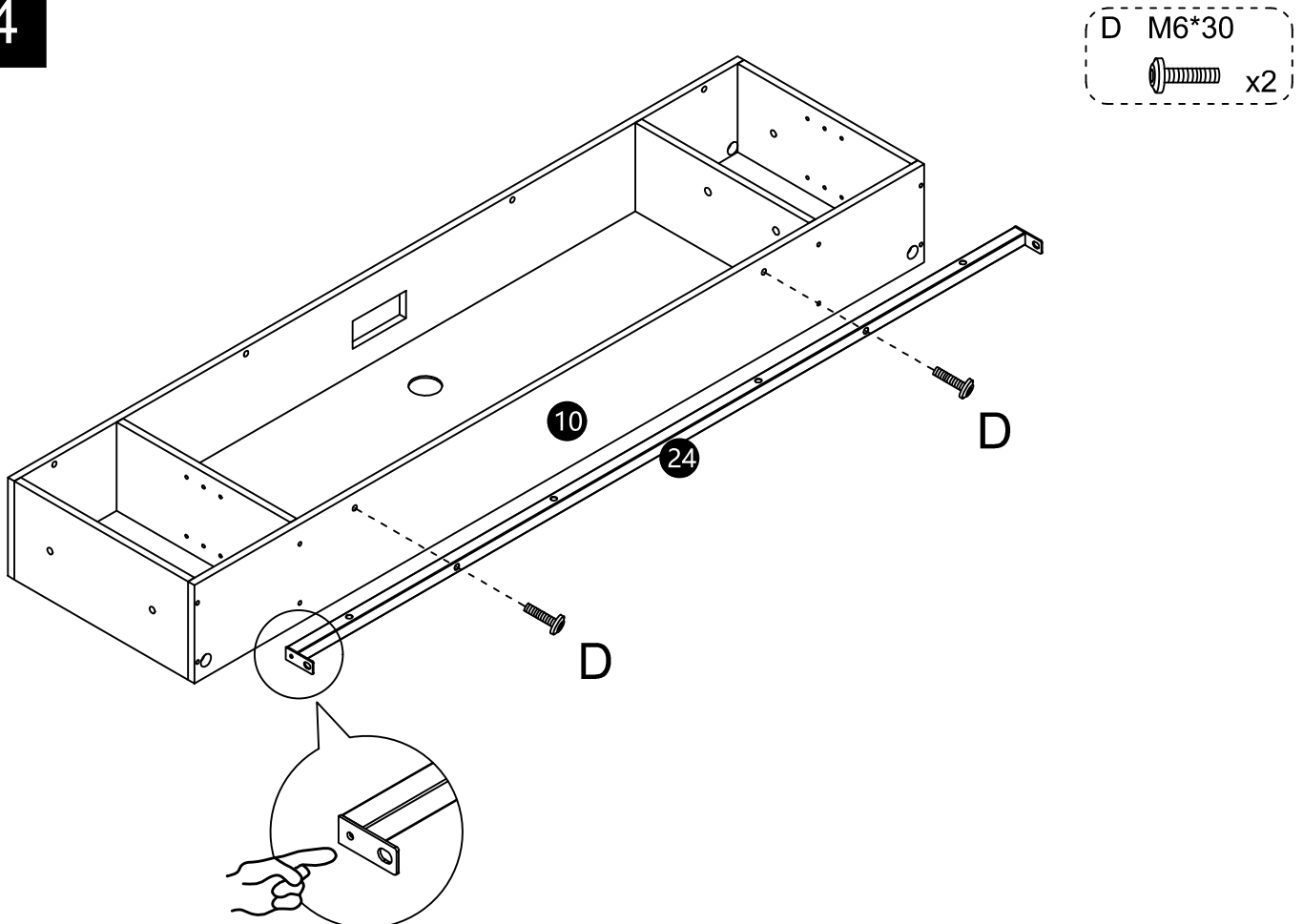


Assembly Instruction

3

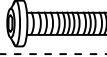


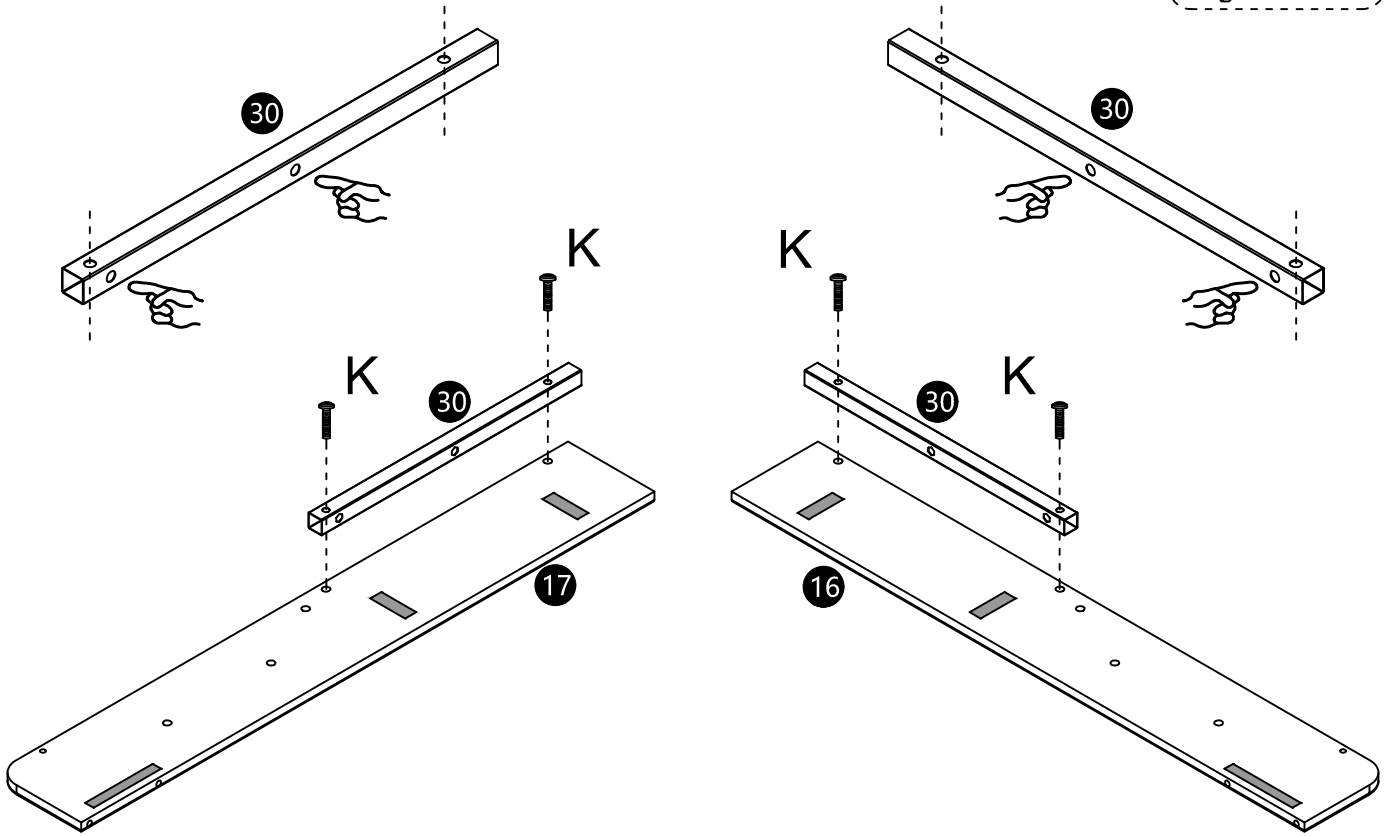
4



Assembly Instruction

5

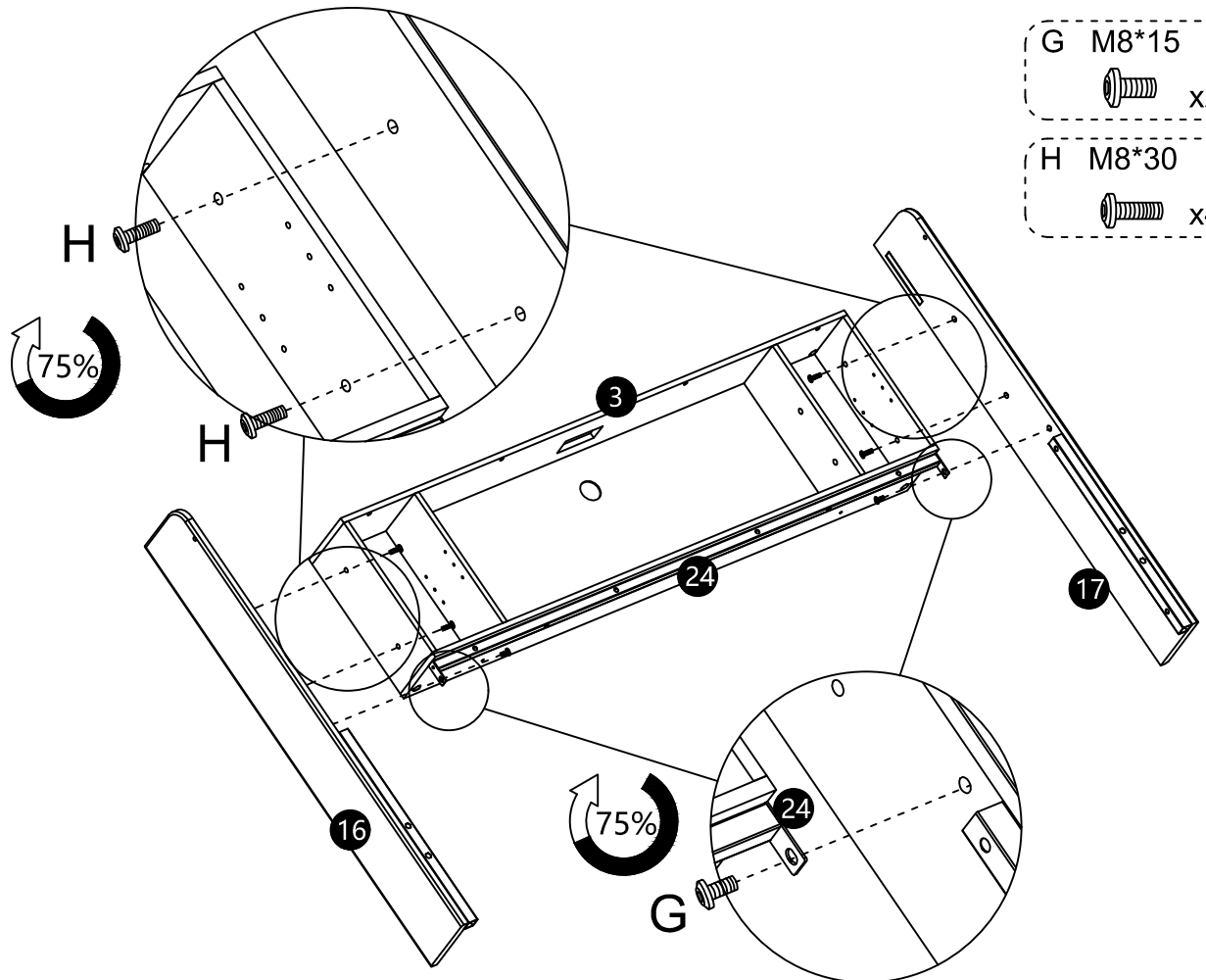
K M8*40
 x4



6

G M8*15
 x2

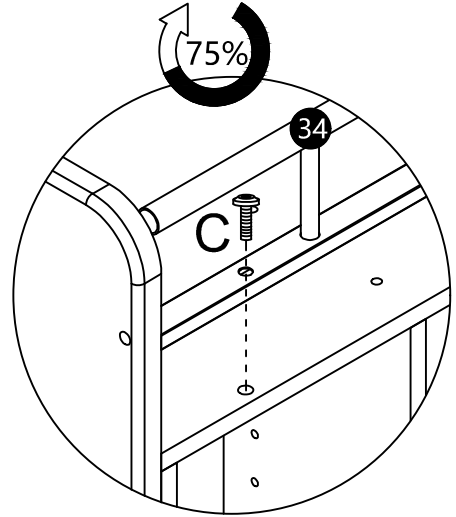
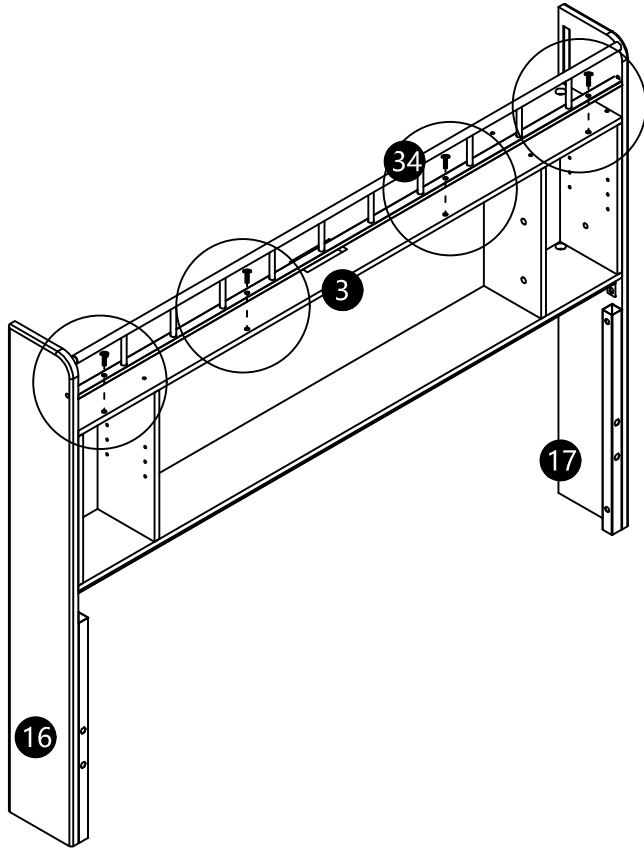
H M8*30
 x4



Assembly Instruction

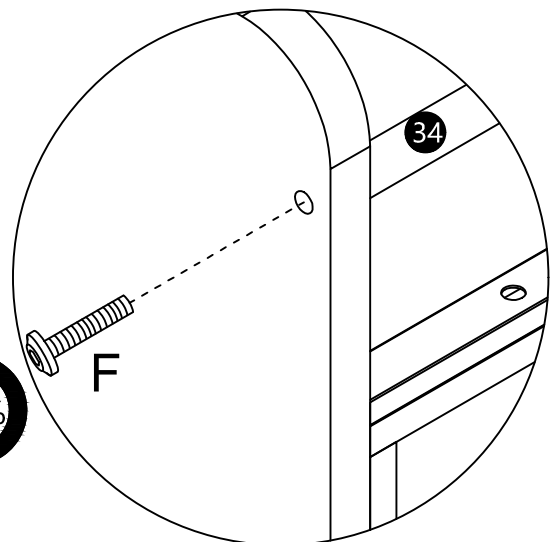
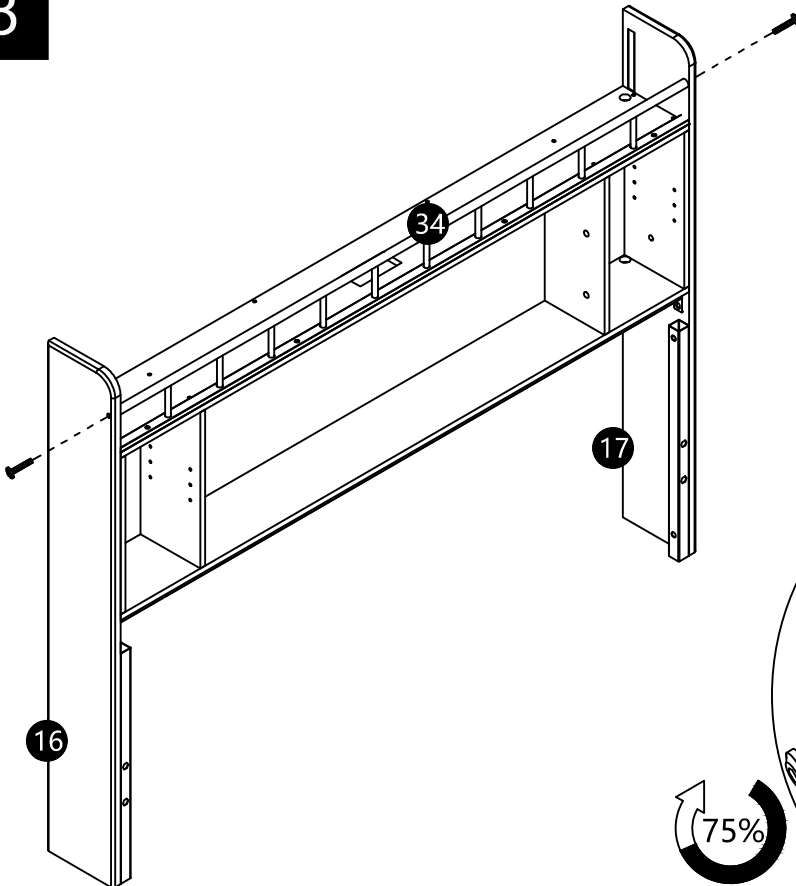
7

C M6*20
 x4



8

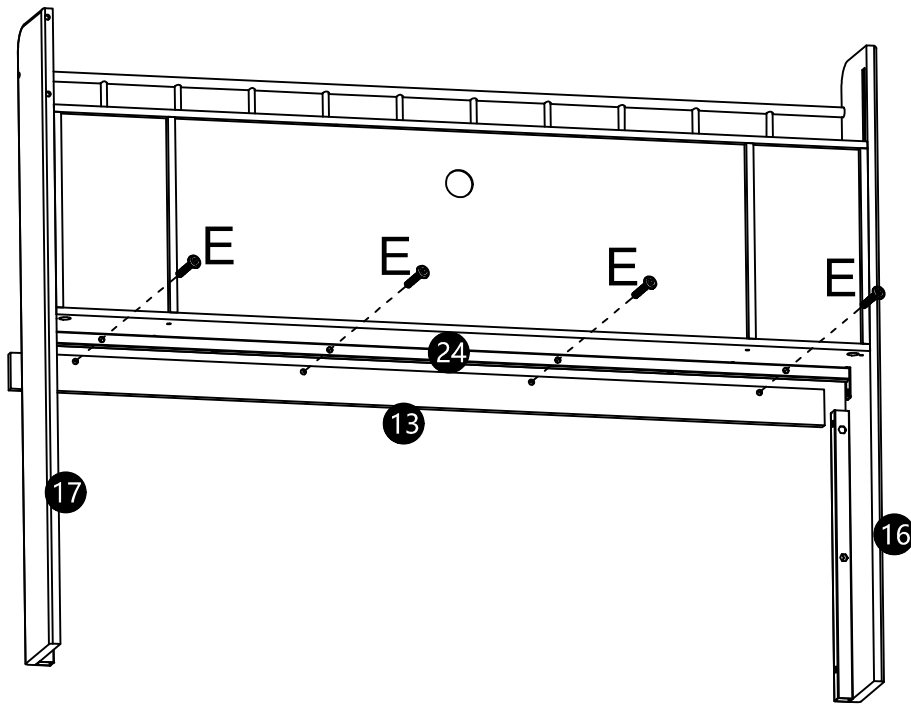
F M6*40
 x2



Assembly Instruction

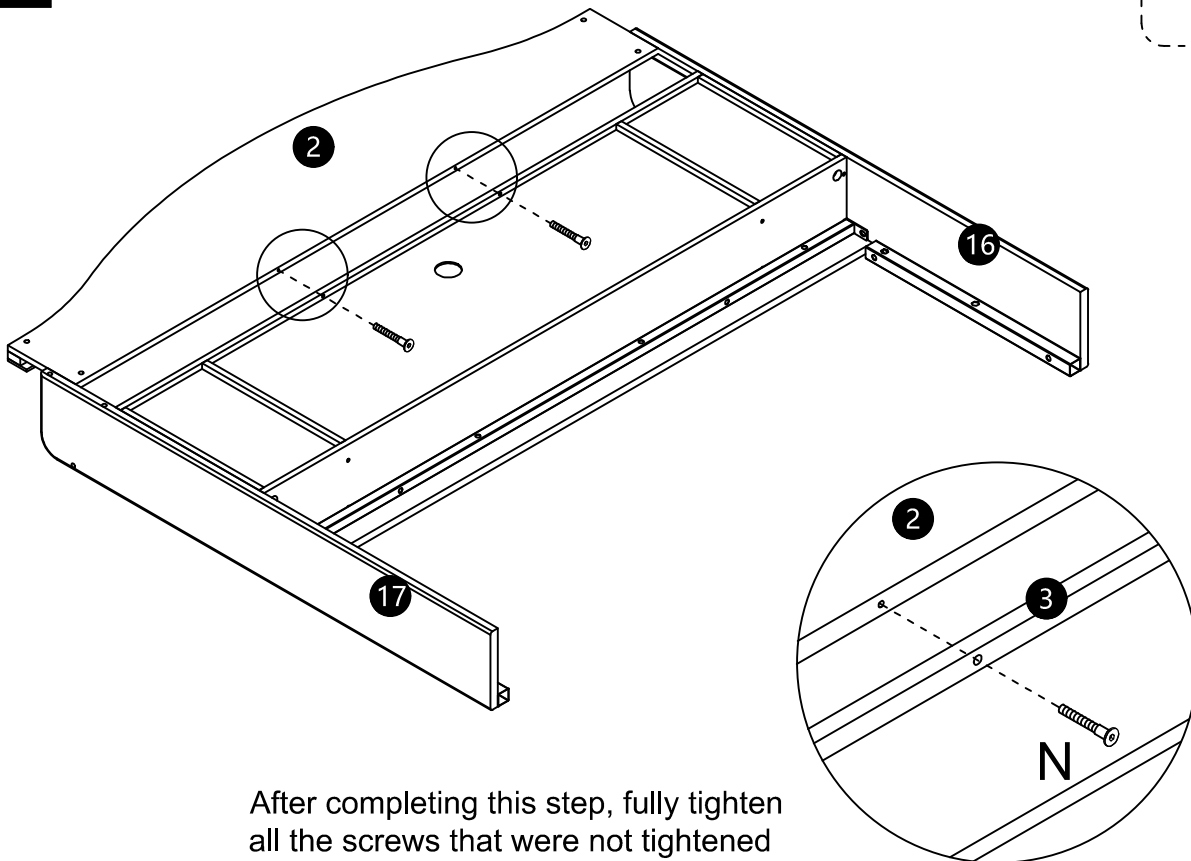
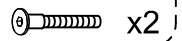
9

E M6*35



10

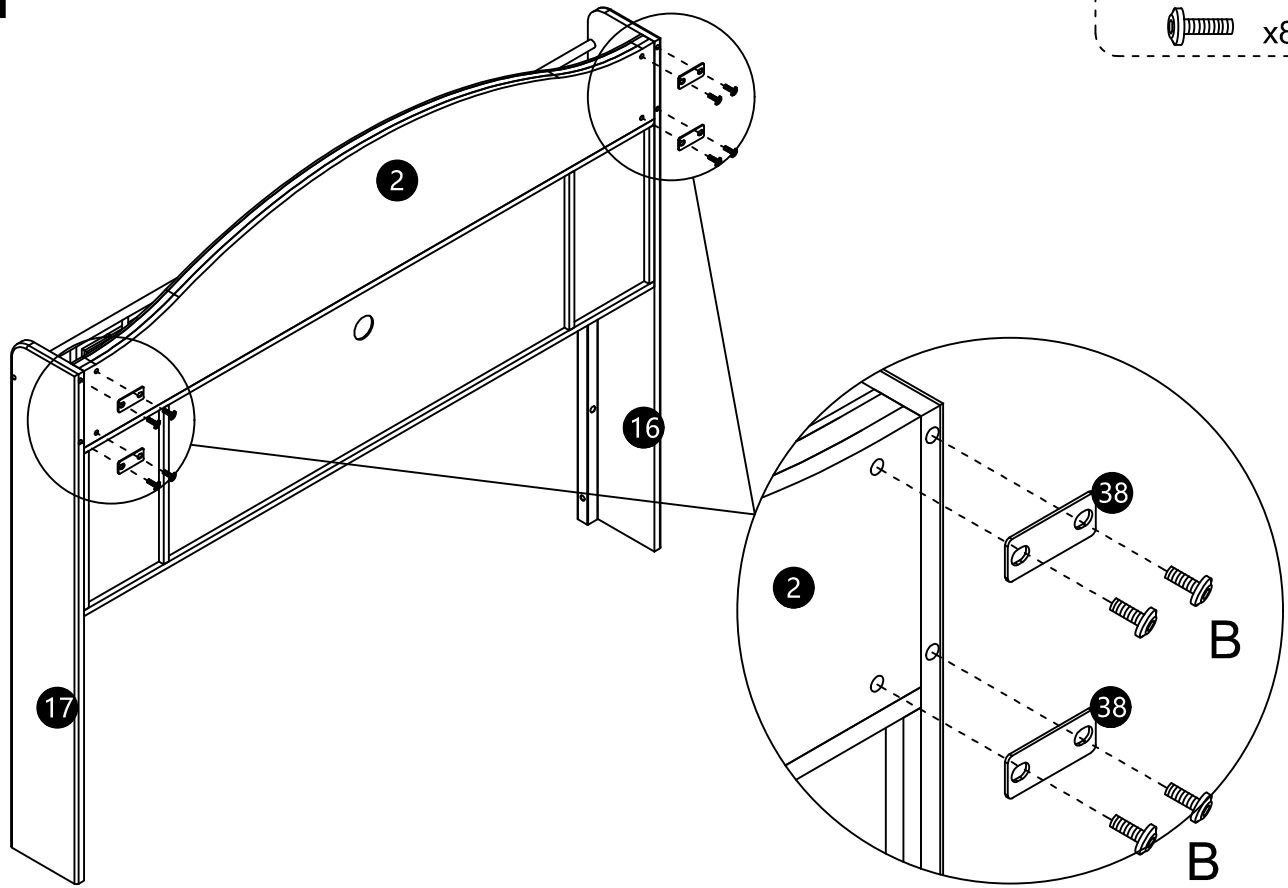
N M5*35



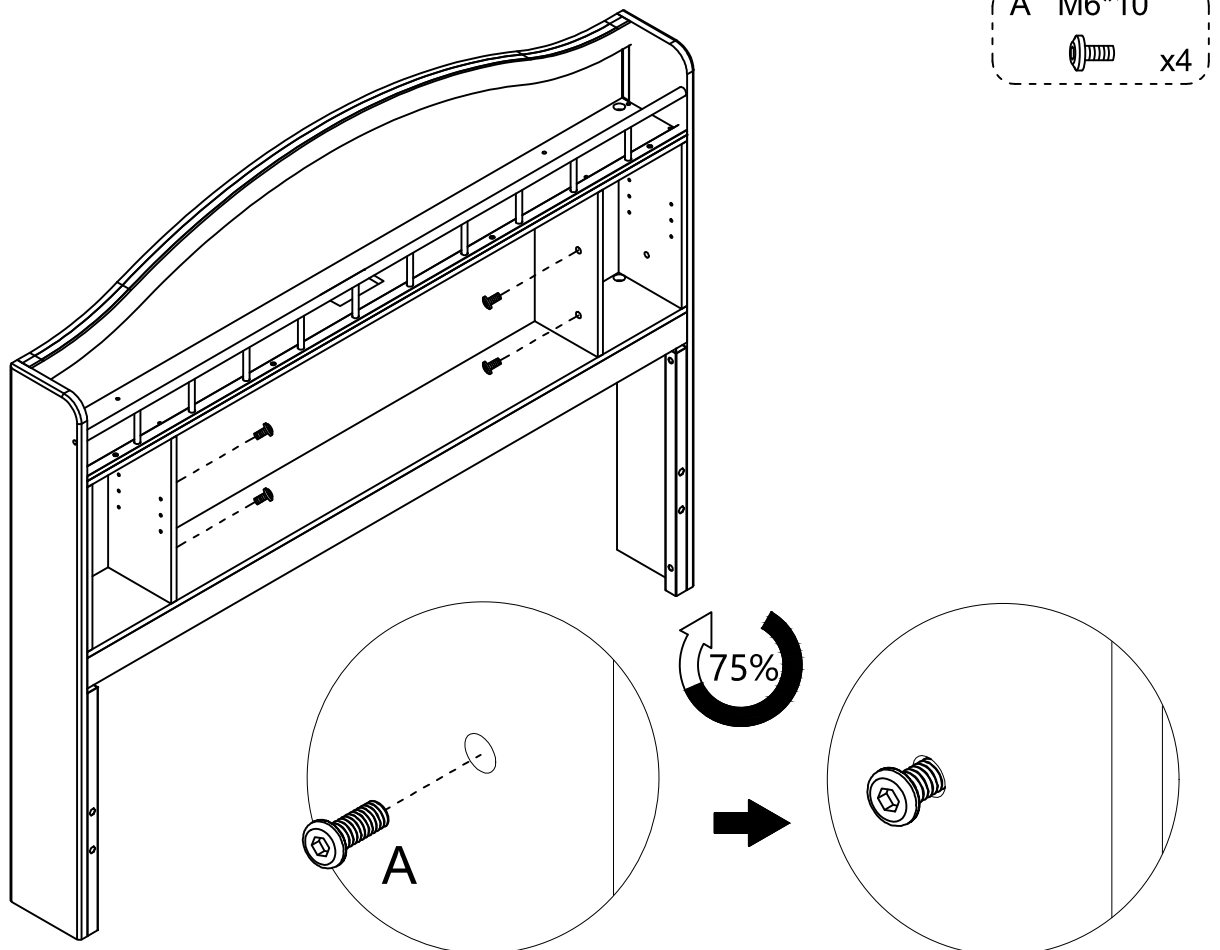
After completing this step, fully tighten all the screws that were not tightened in the above steps.

Assembly Instruction

11



12



Assembly Instruction

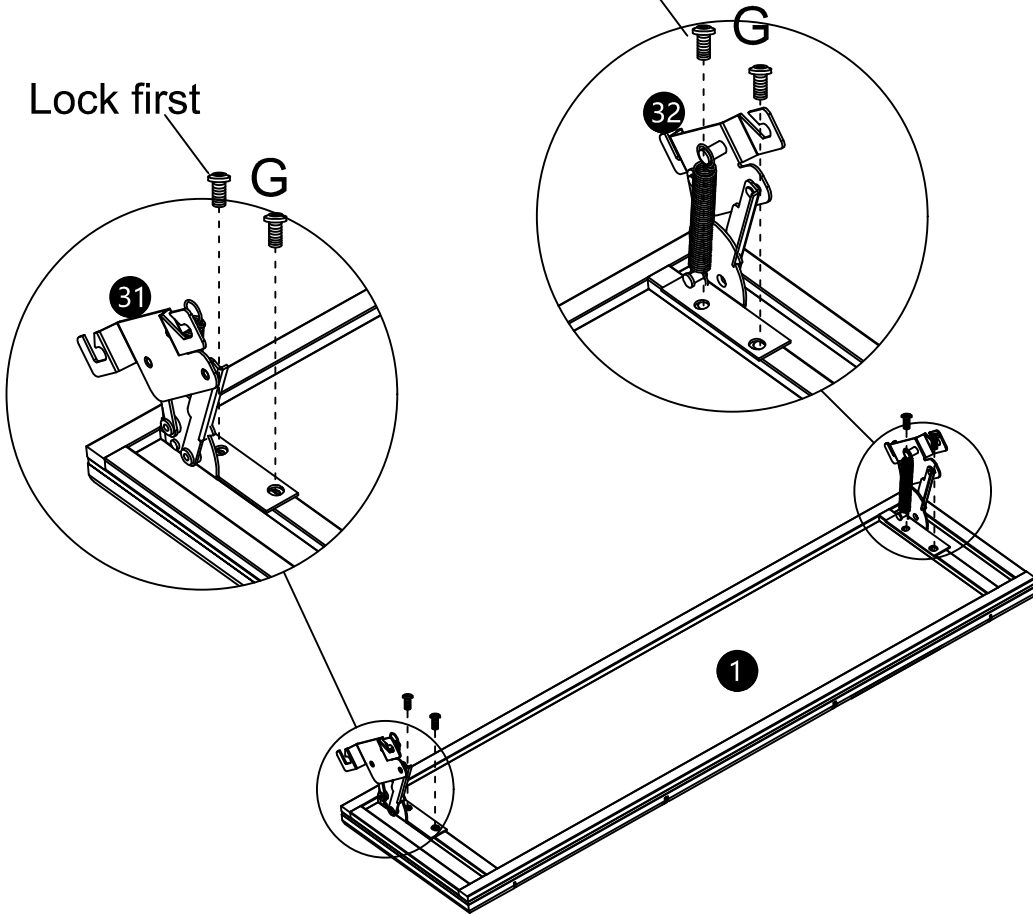
13

G M8*15

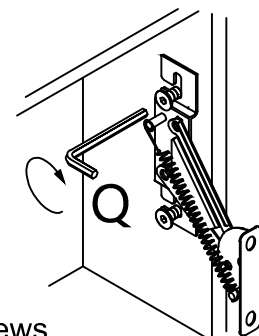
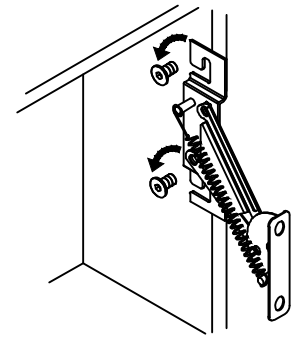
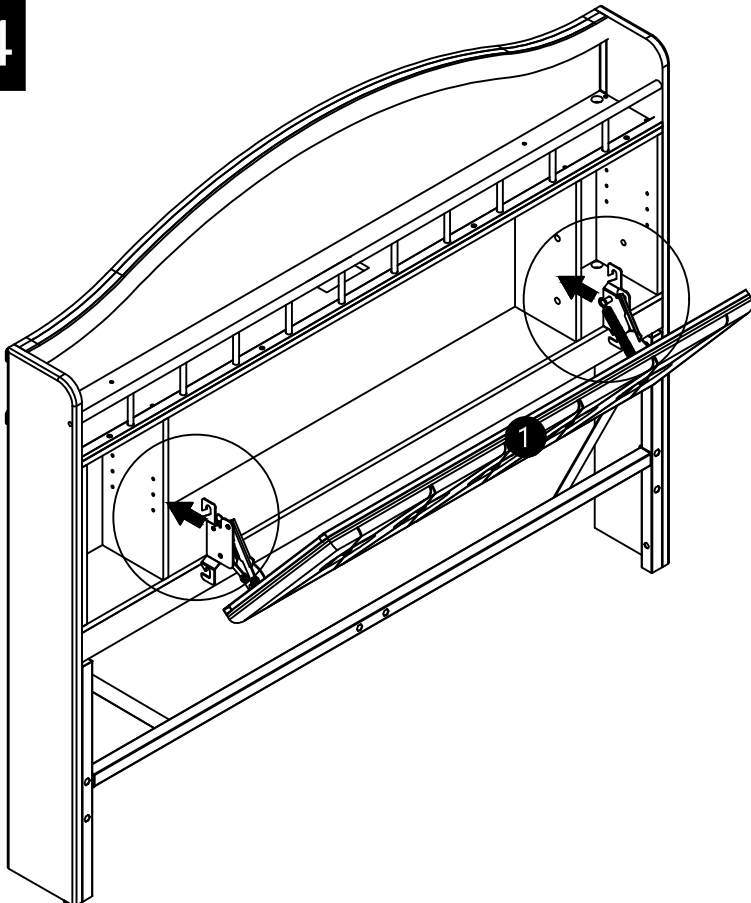
x4

Lock first

Lock first



14

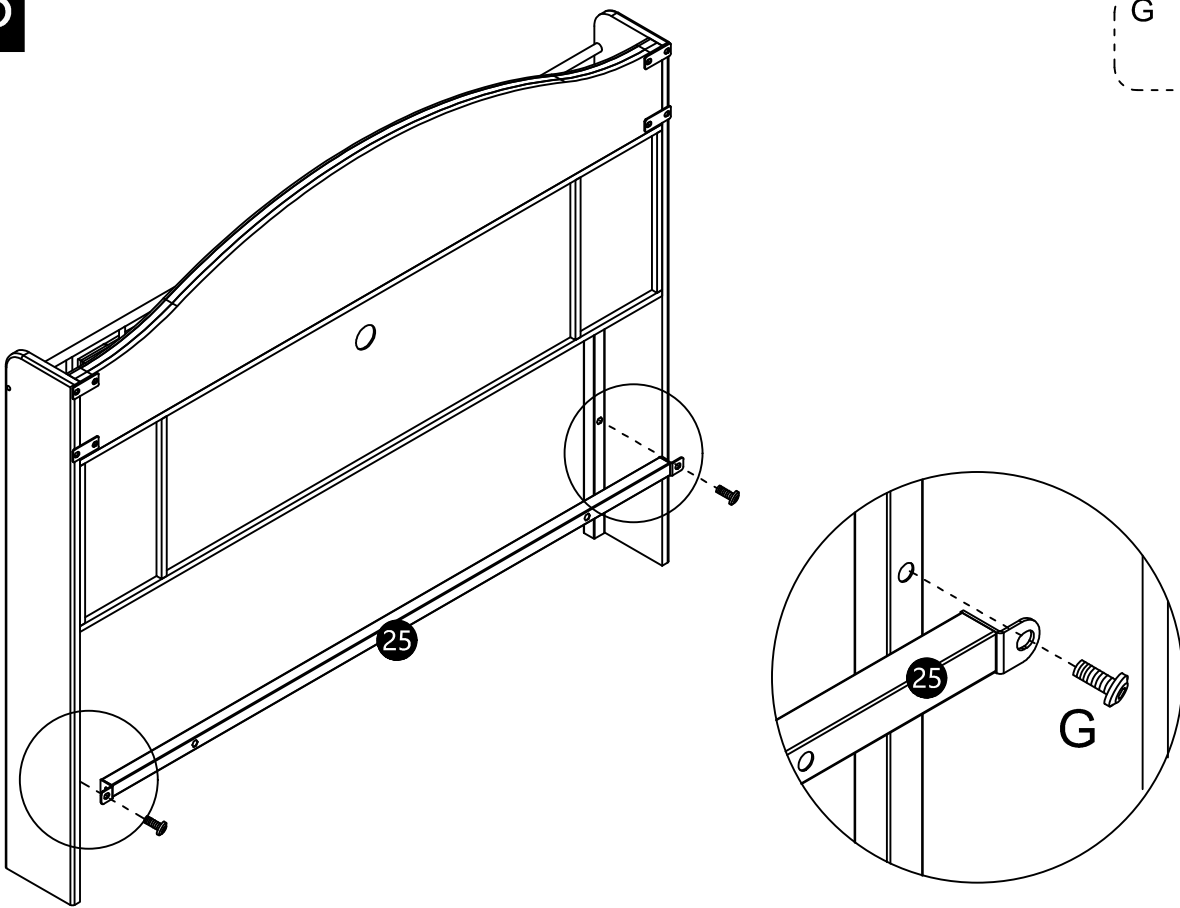


Fully tighten all screws

Assembly Instruction

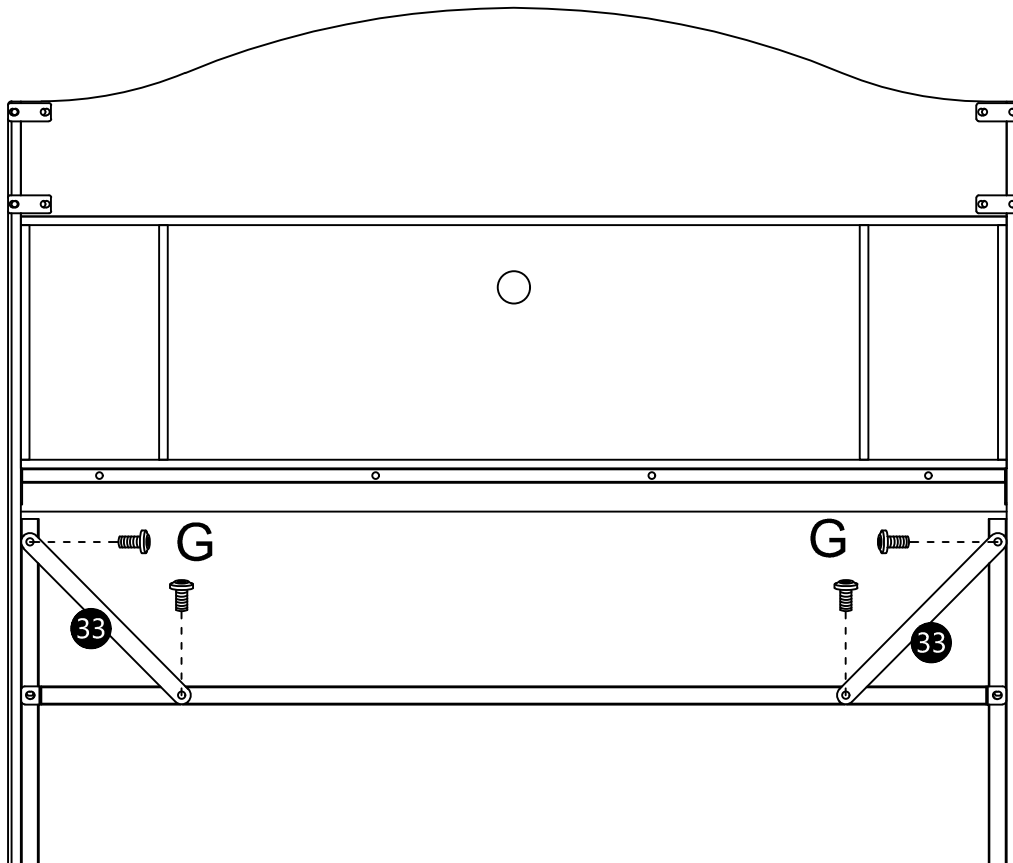
15

G M8*15
x2



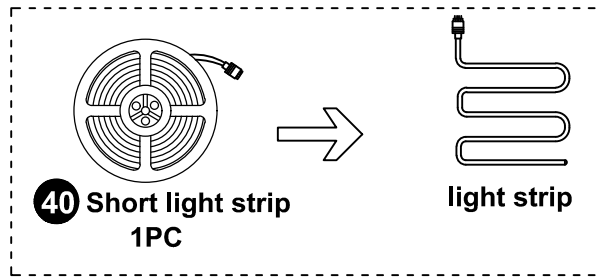
16

G M8*15
x4

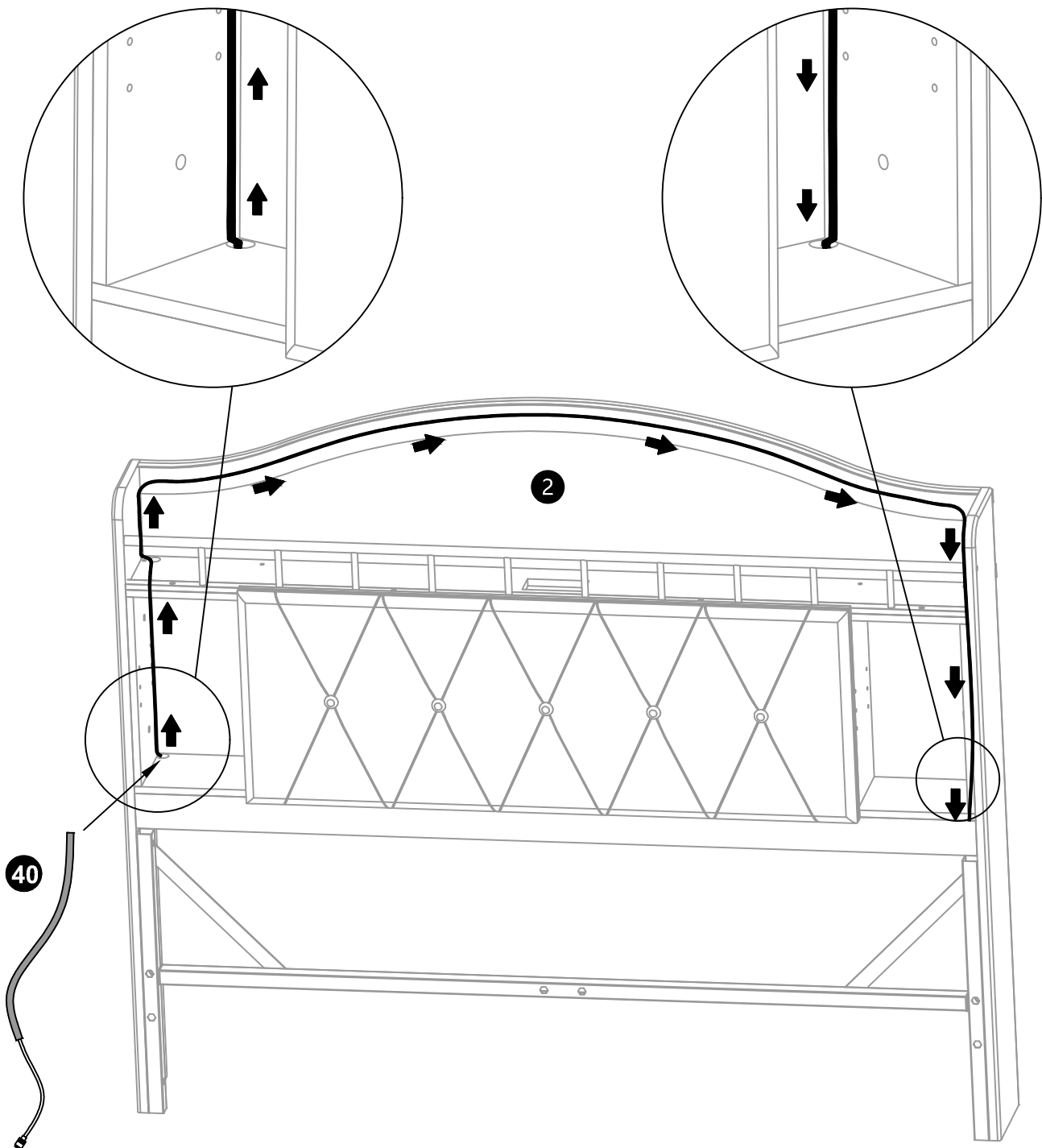


Assembly Instruction

17

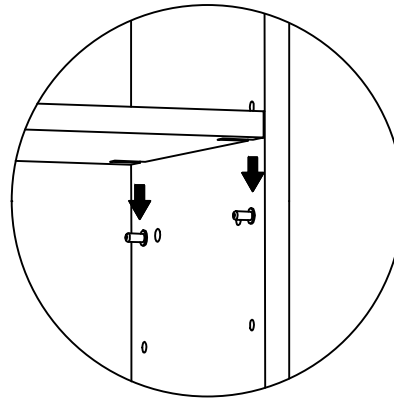
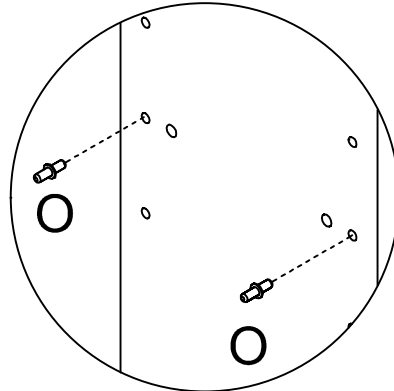
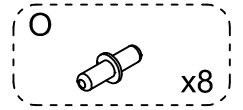
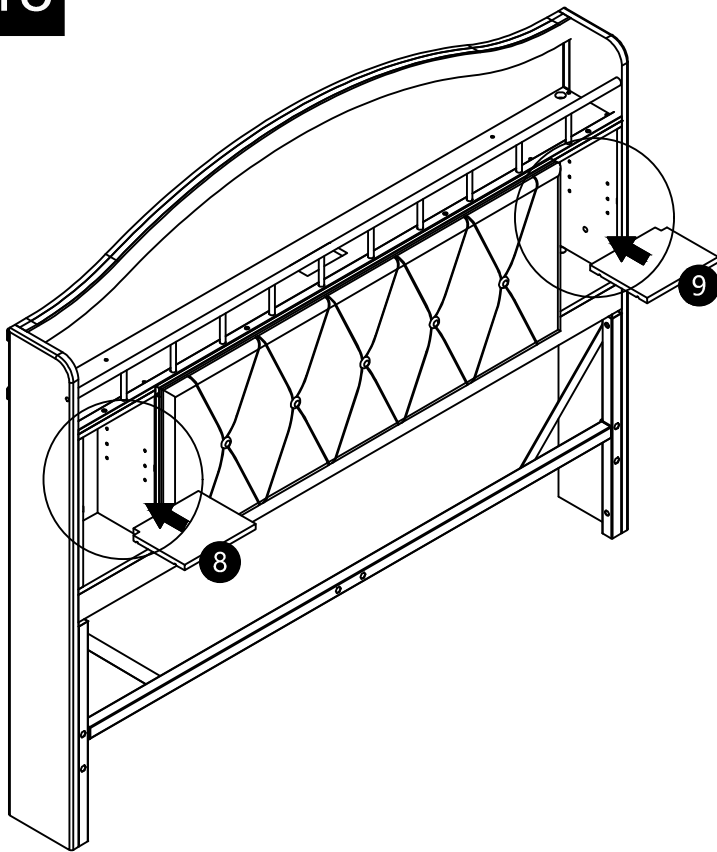


Thread the light strip through the circular hole at the bottom of the bedside table and stick it onto the Velcro on the side panel and the Velcro in the groove of component 2.

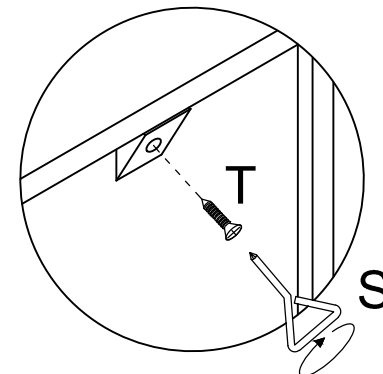
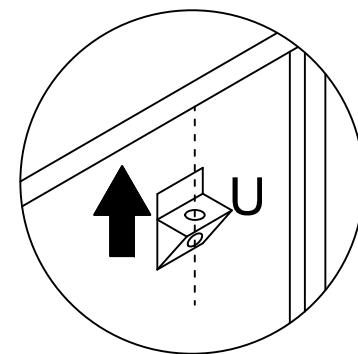
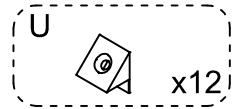
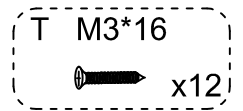
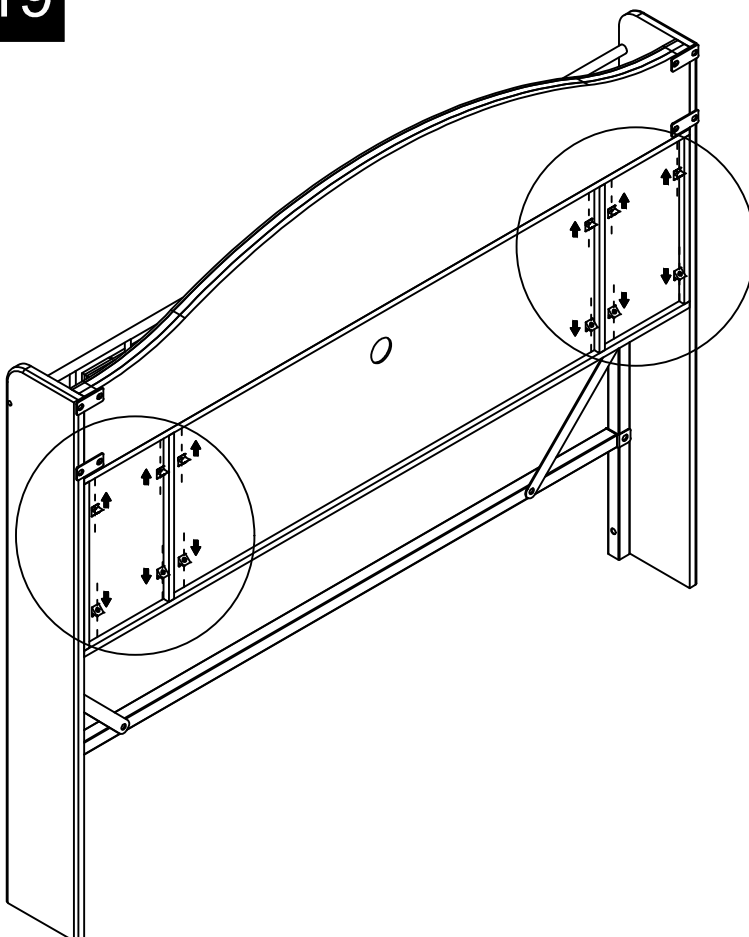


Assembly Instruction

18

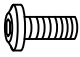


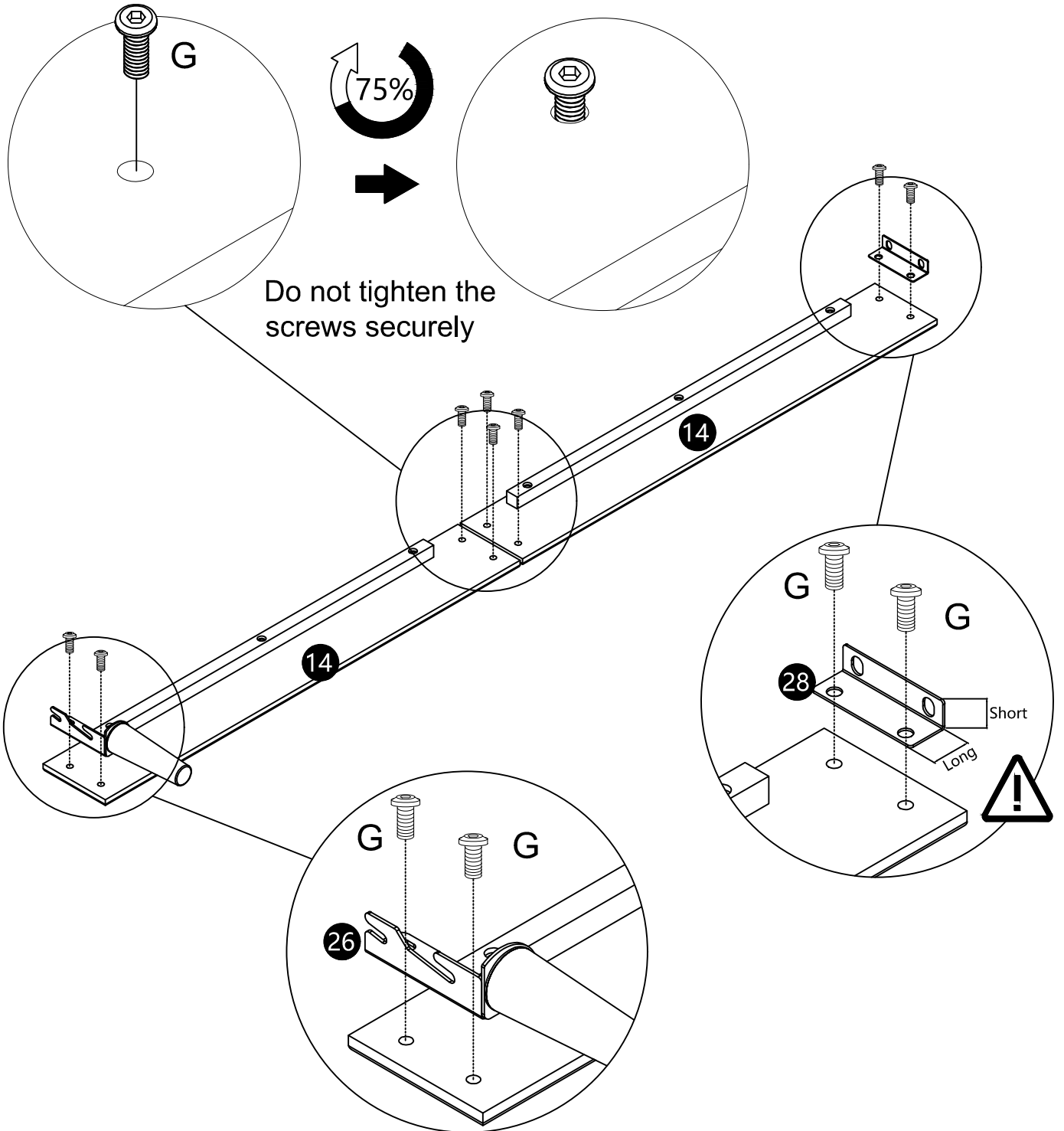
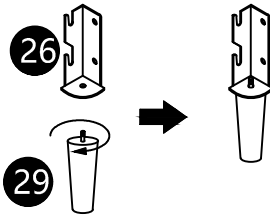
19



Assembly Instruction

20

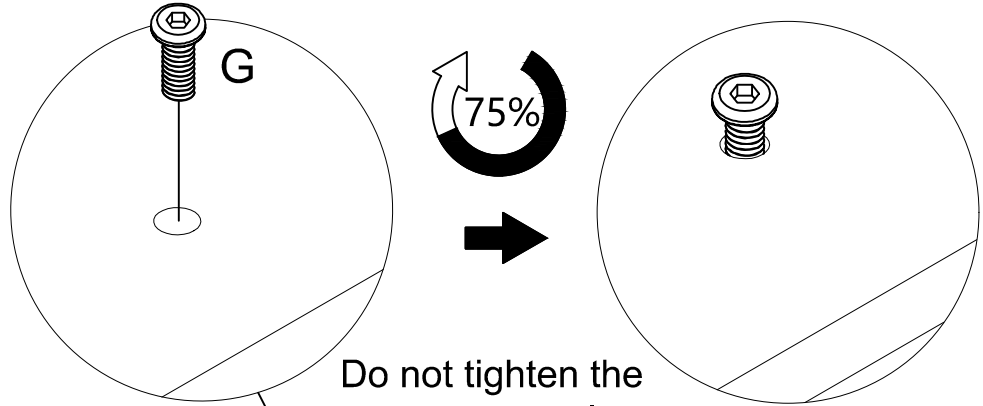
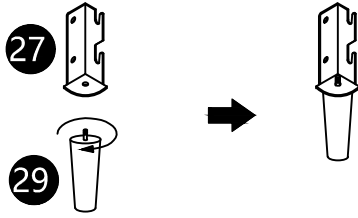
G M8*15
 x8



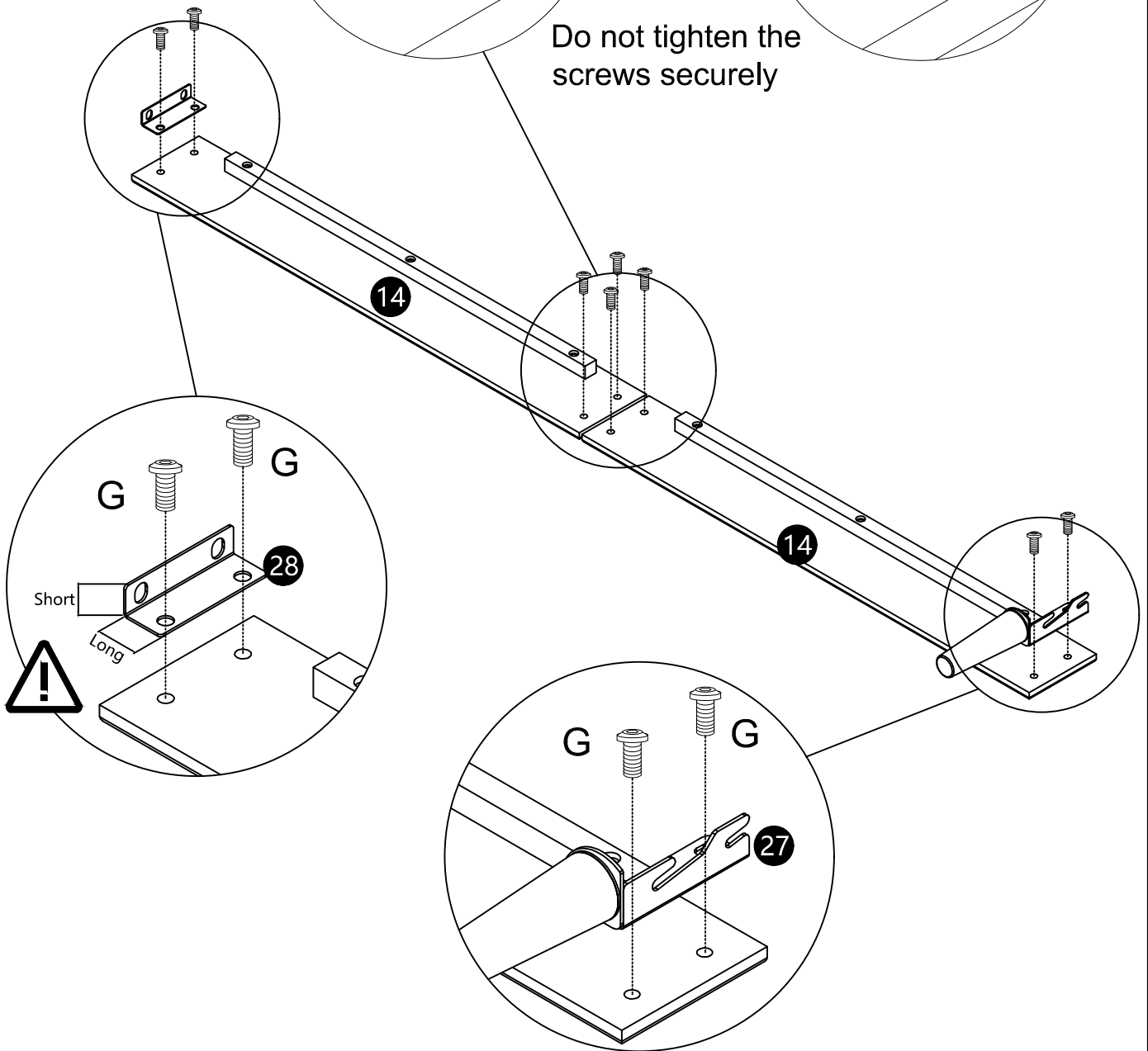
Assembly Instruction

21

G M8*15
x8

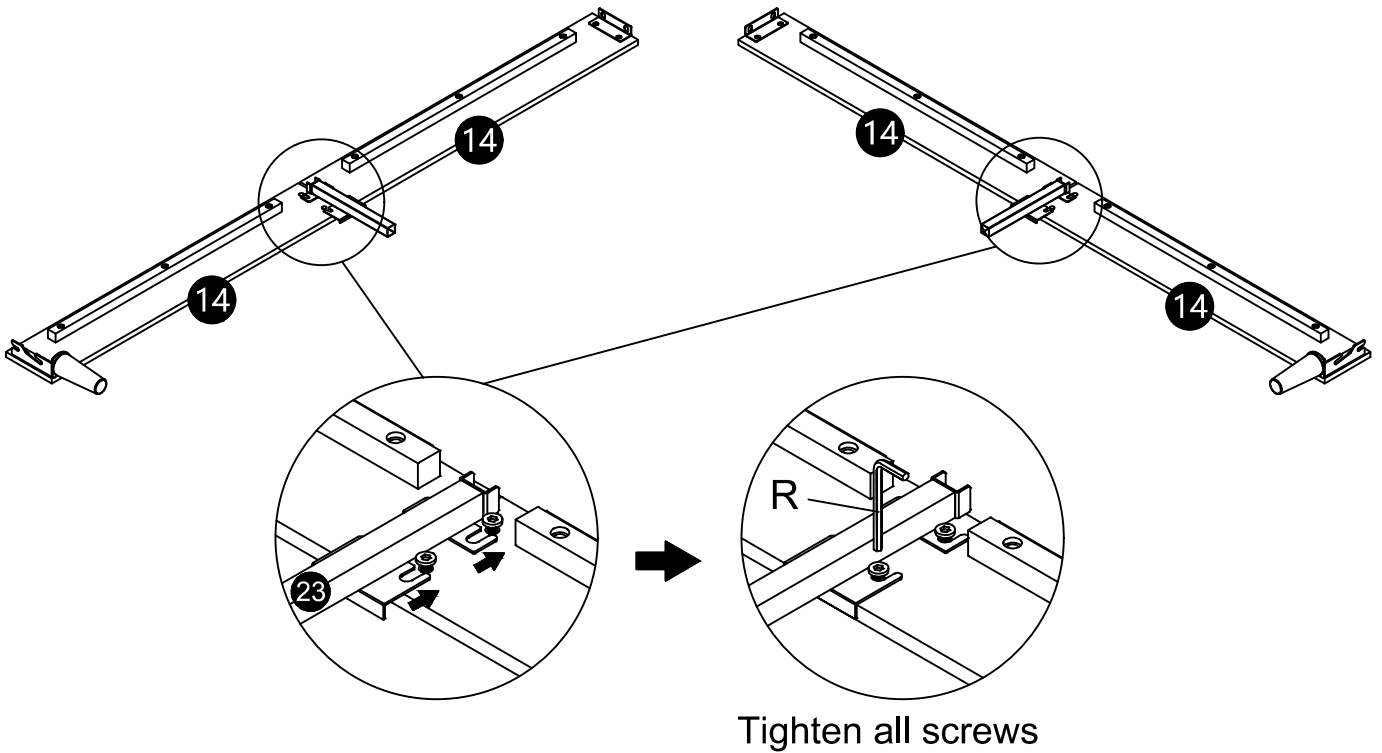


Do not tighten the screws securely

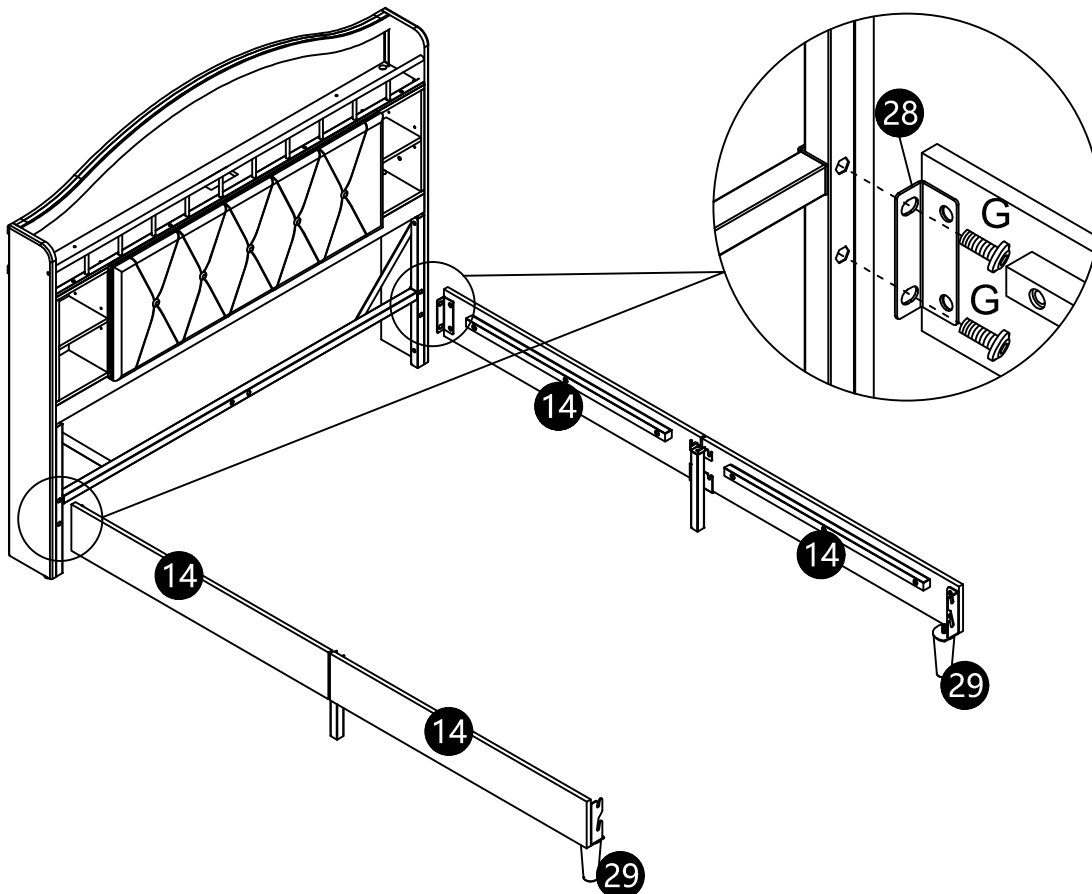


Assembly Instruction

22



23

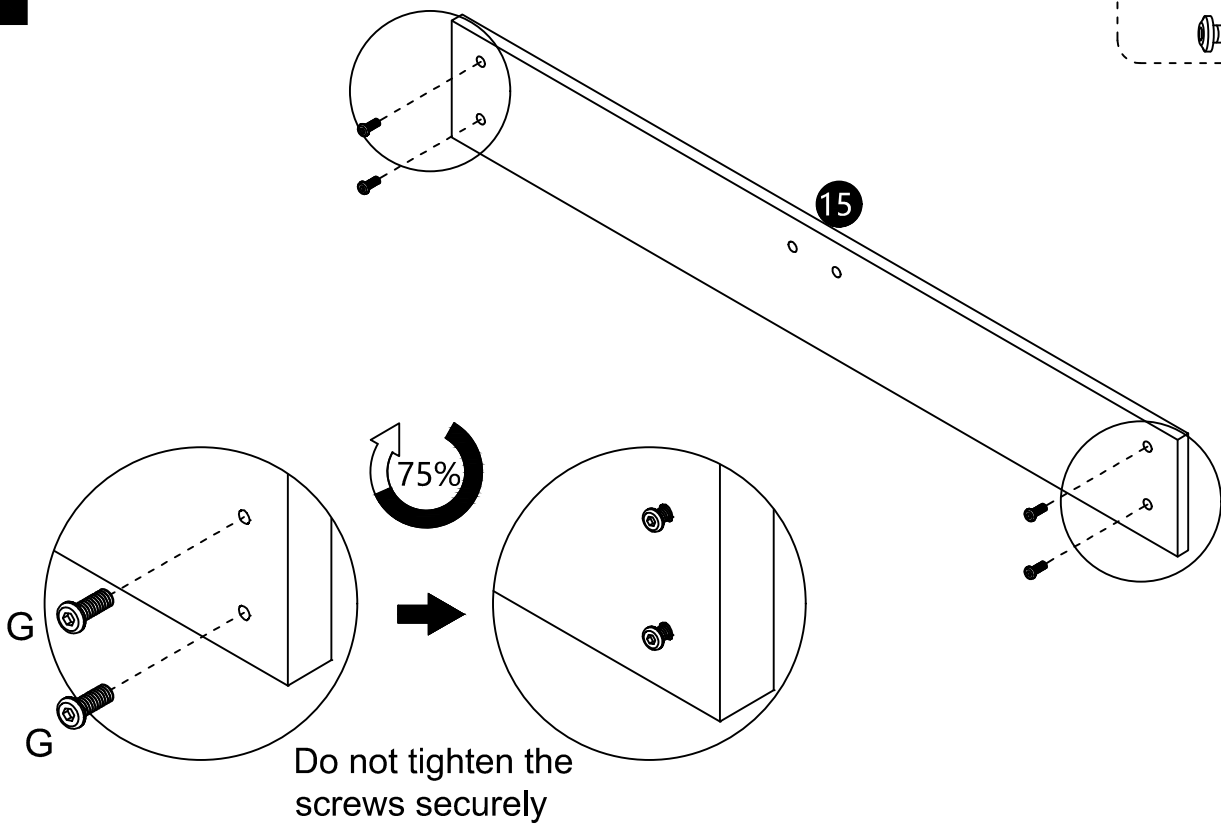


G M8*15
x4

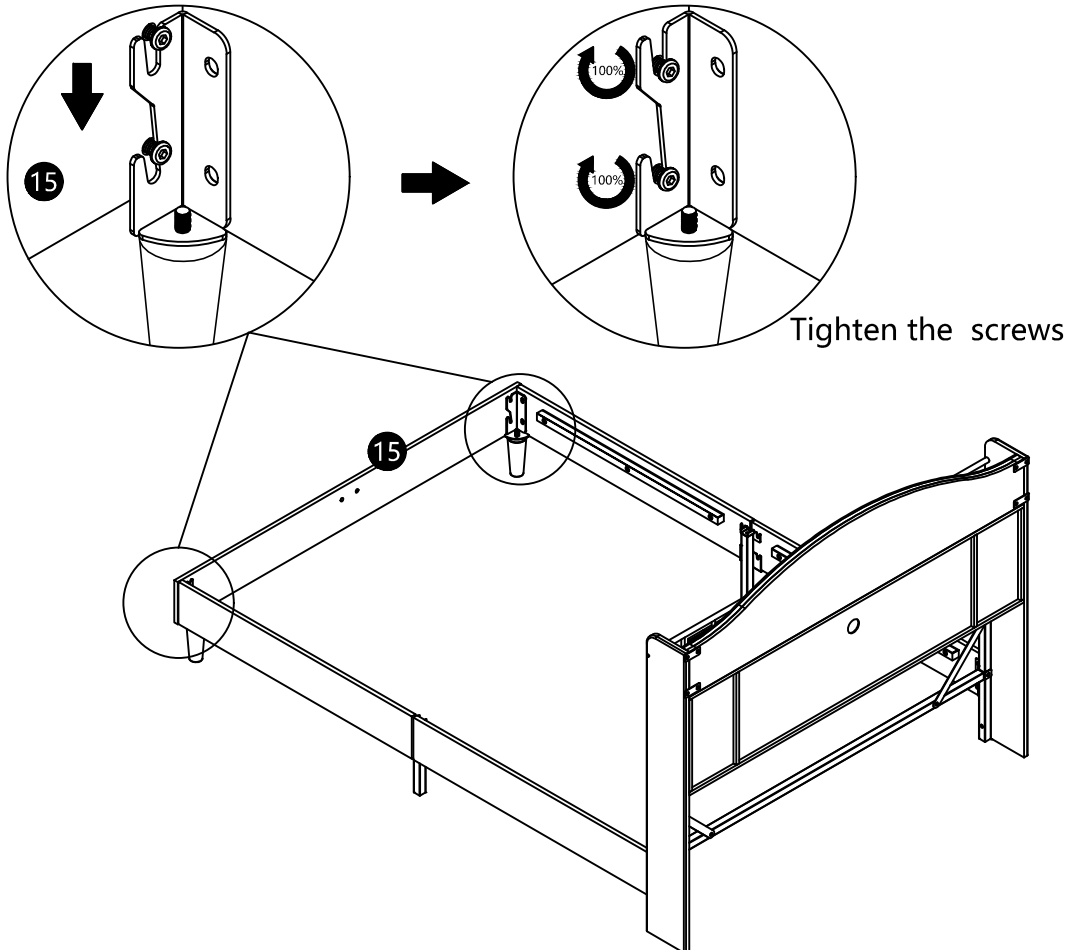
Assembly Instruction

24

G M8*15
x4



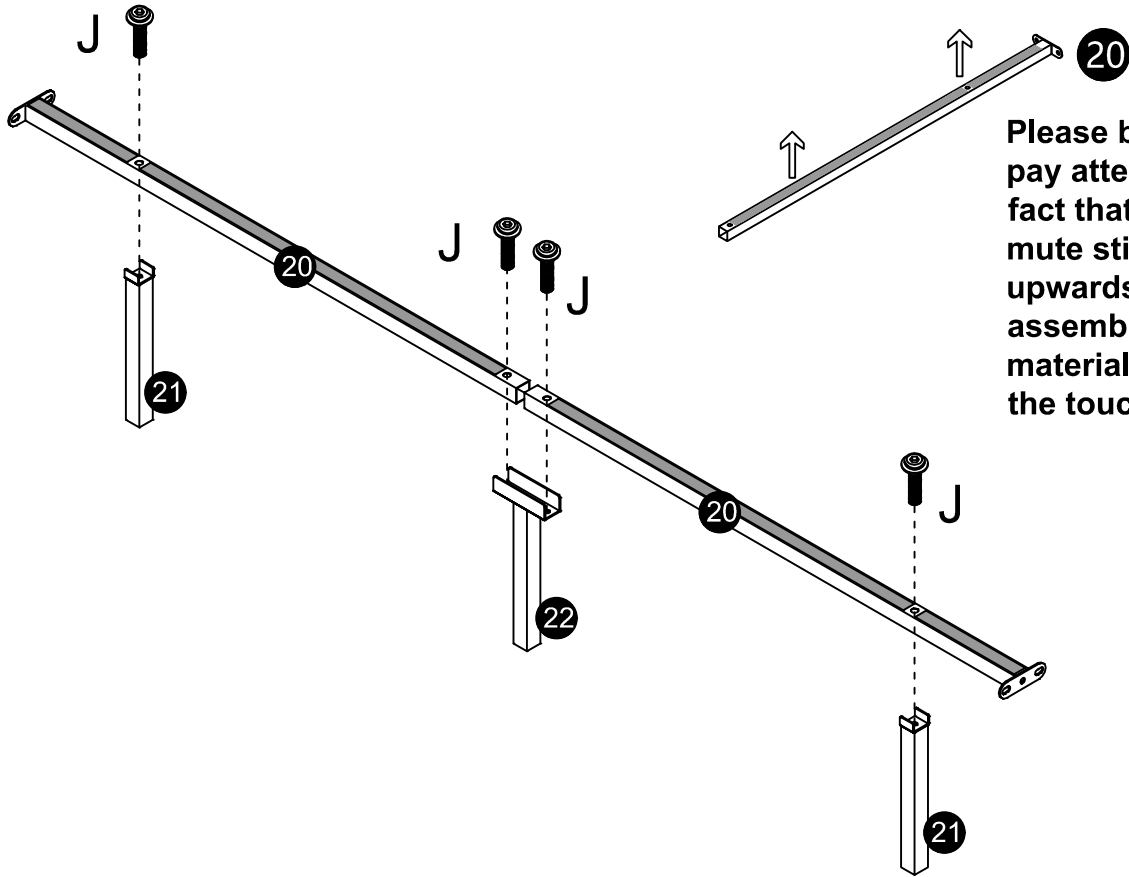
25



Assembly Instruction

26

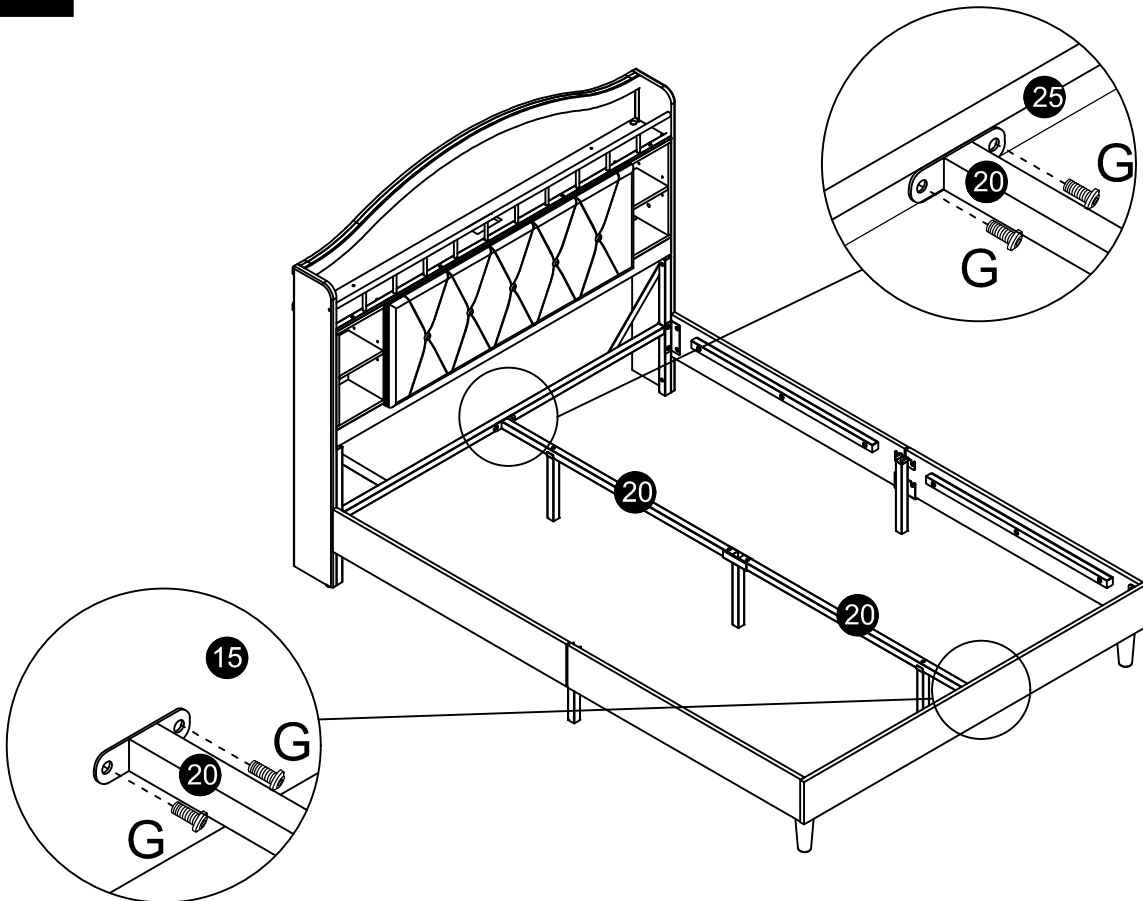
J M8*35
x4



Please be sure to pay attention to the fact that there are mute stickers facing upwards during assembly, and the material feels soft to the touch

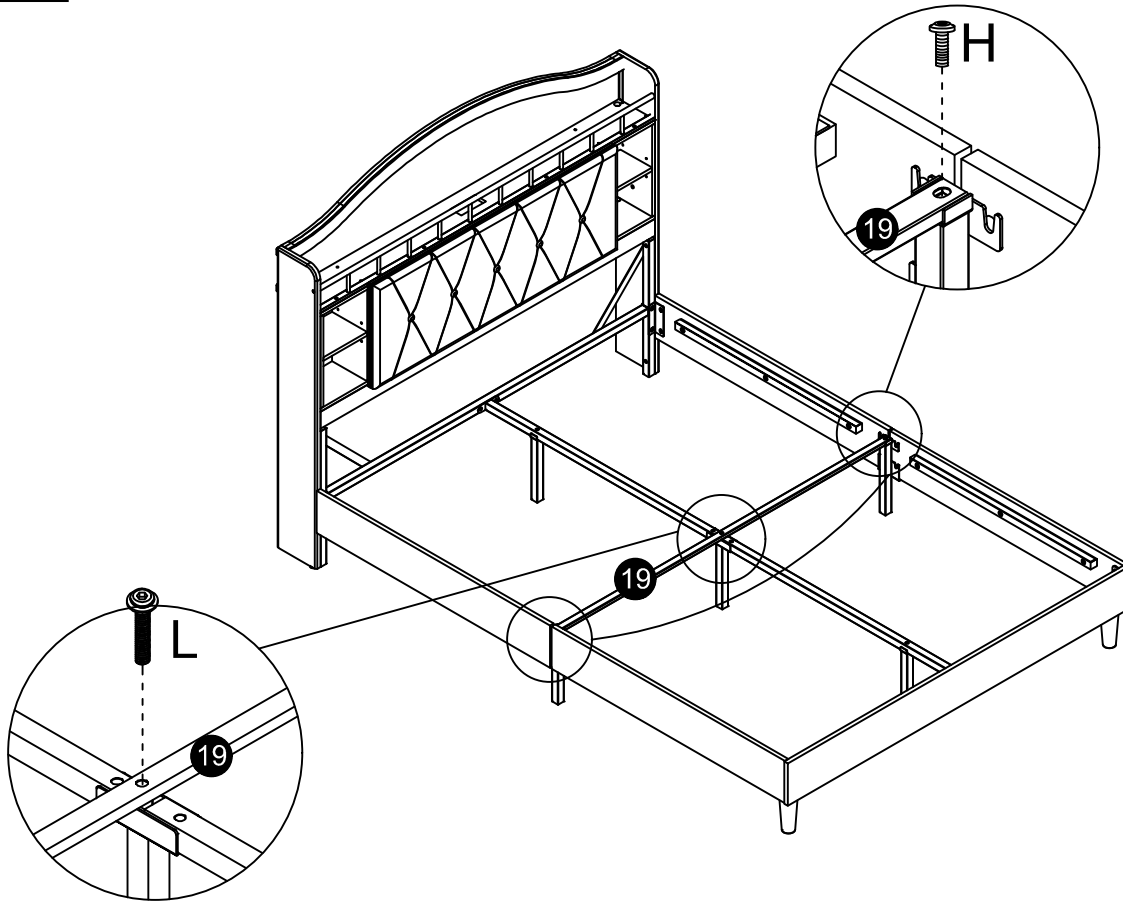
27

G M8*15
x4



Assembly Instruction

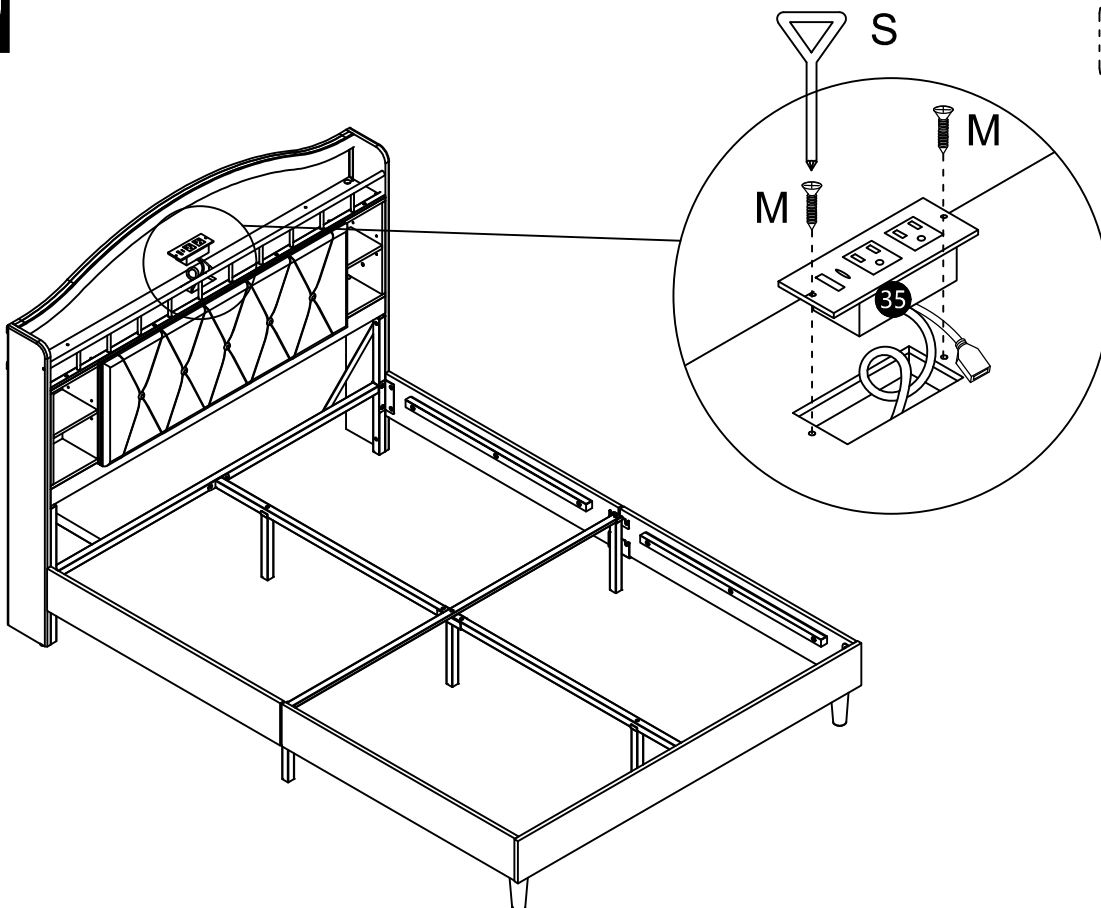
28



H M8*30
x2

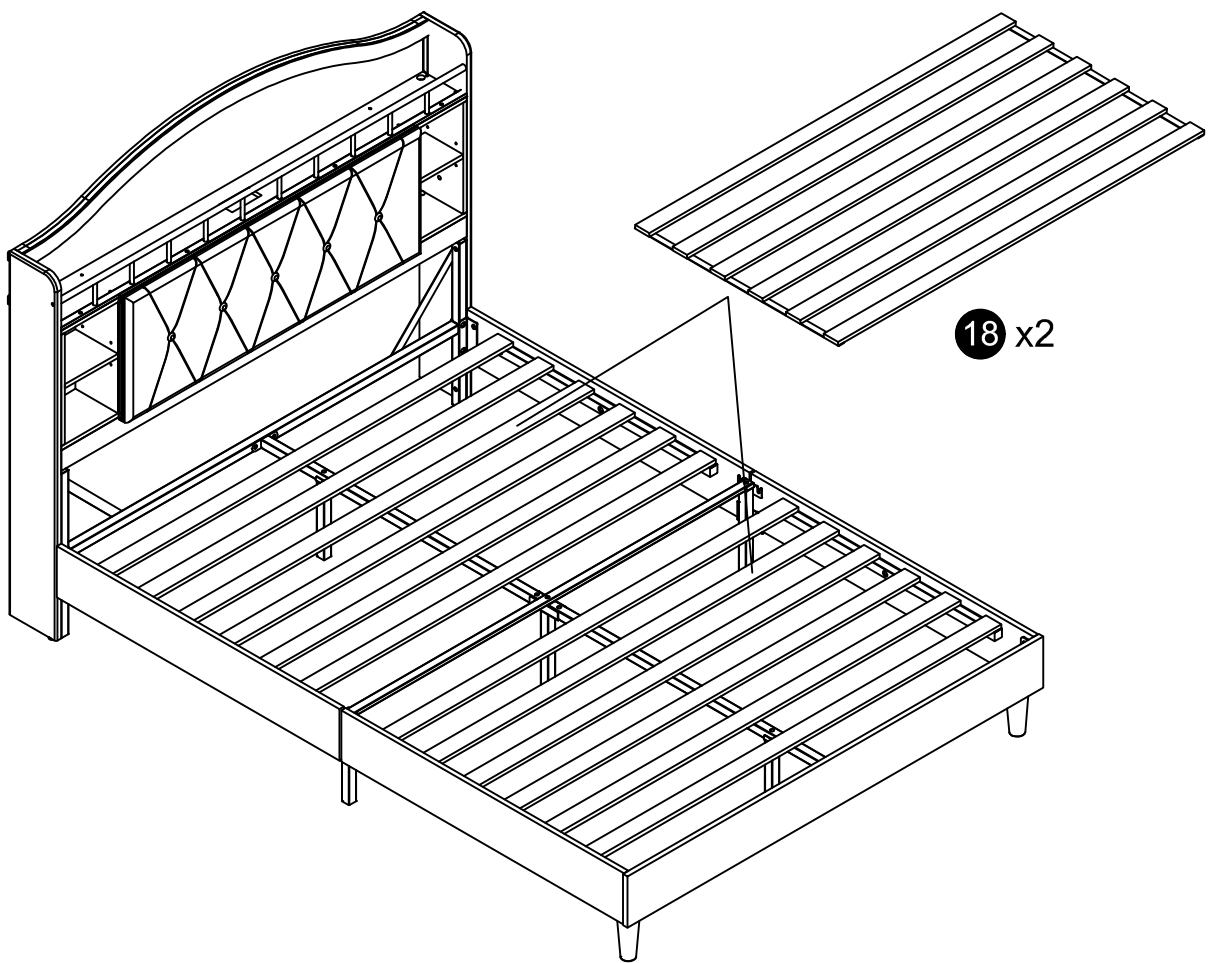
L M8*50
x1

29

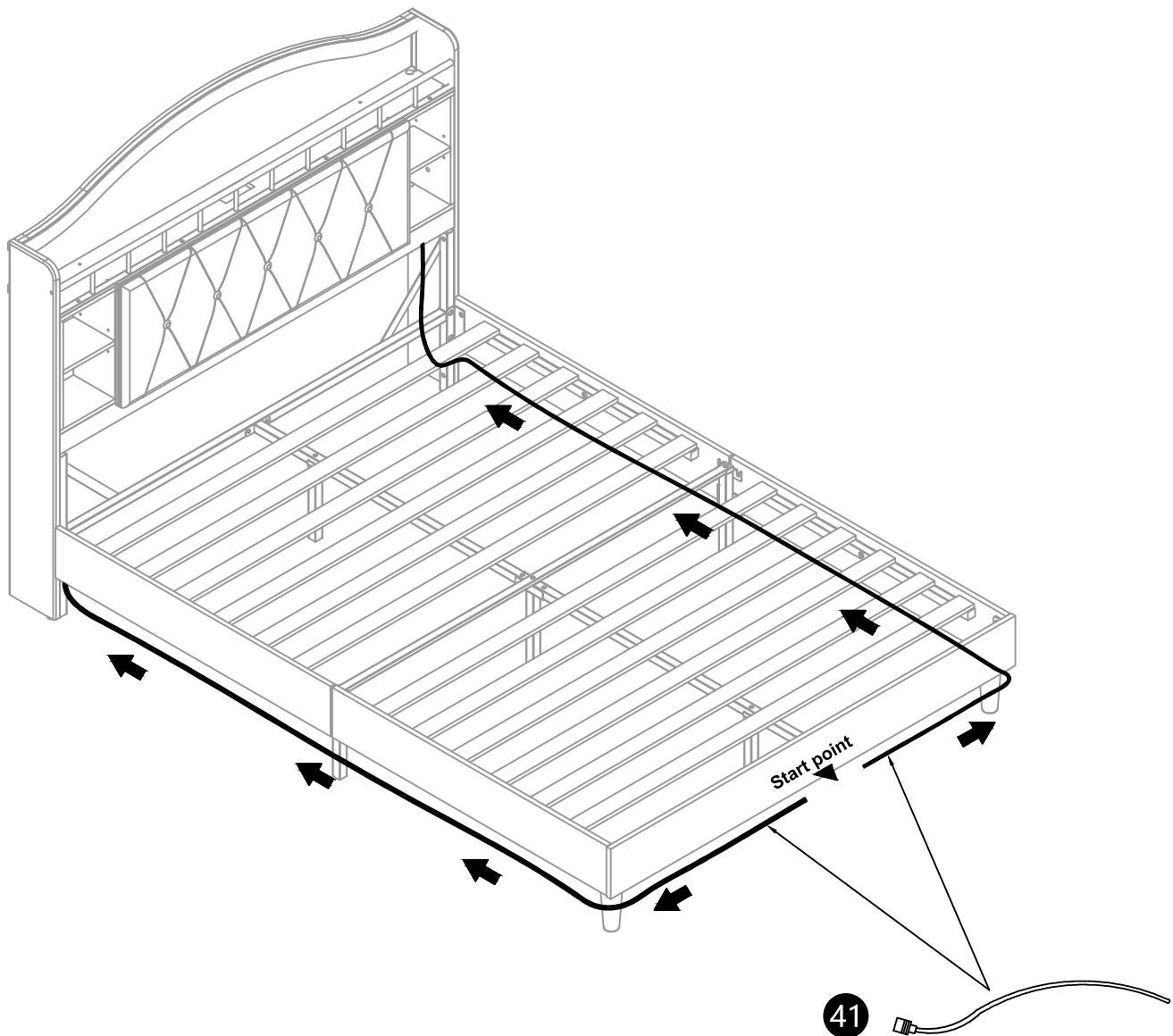
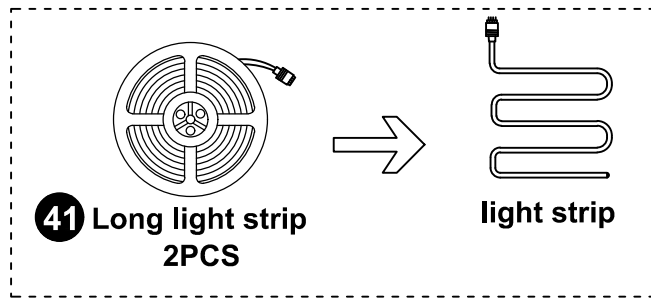


M M3*12
x2

30

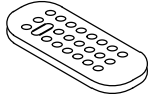


Assembly Instruction

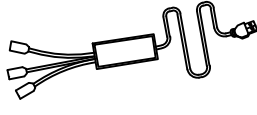


At the bottom stick
the light strip on

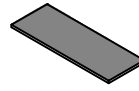
Assembly Instruction



36 Remote control
1PC



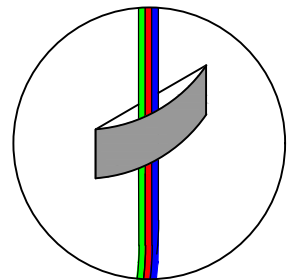
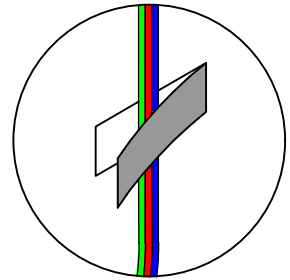
37 Power cord
1PC



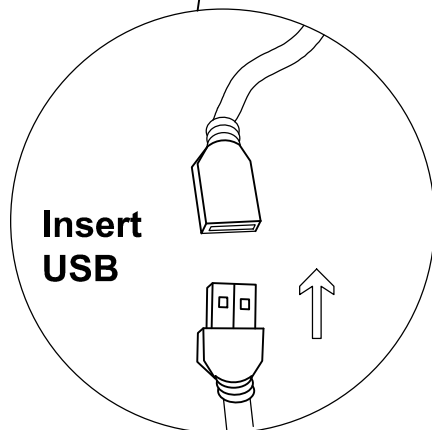
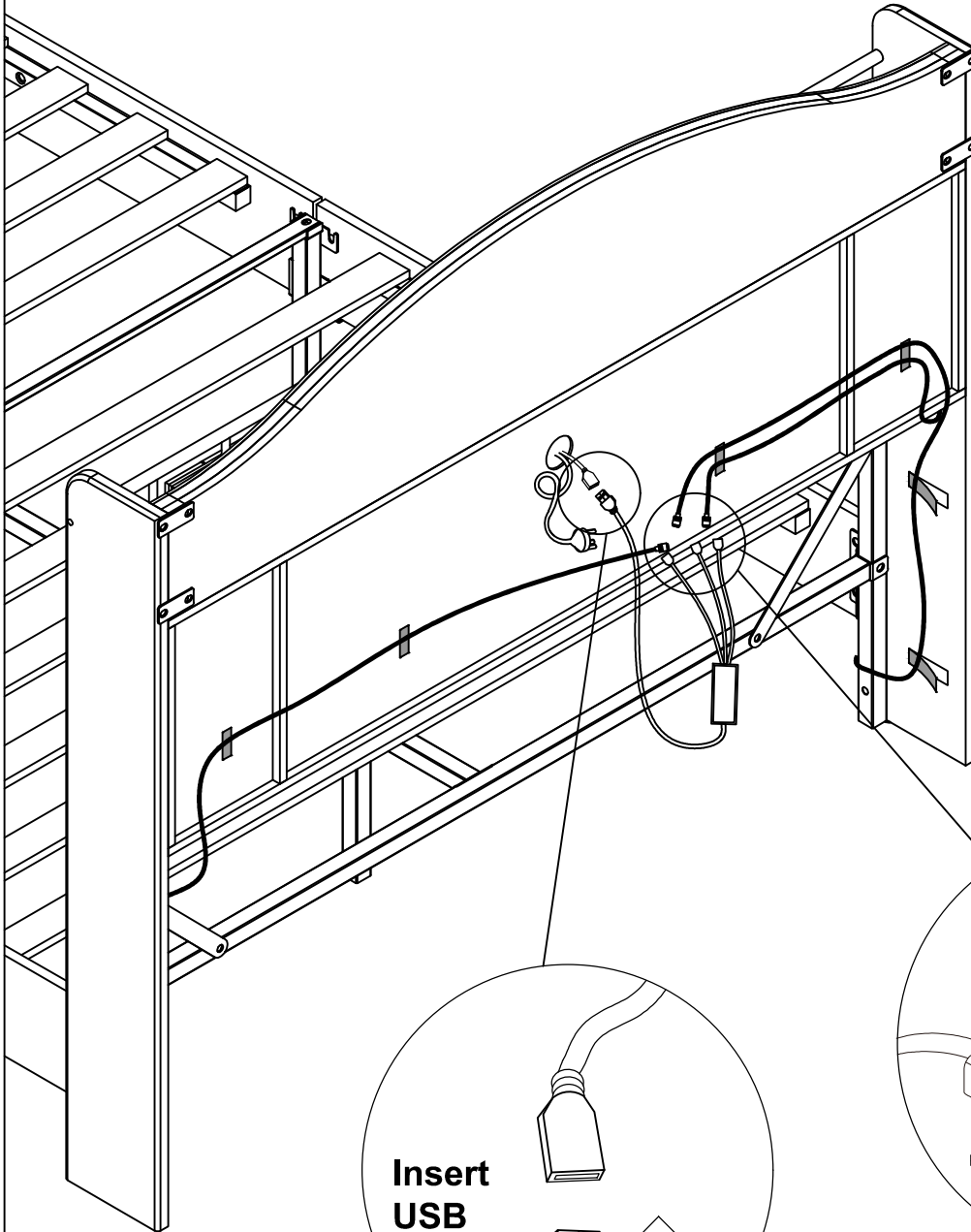
39 Magic tape
5PCS

You can use Magic tape to stick the connecting wire of the light strip anywhere.

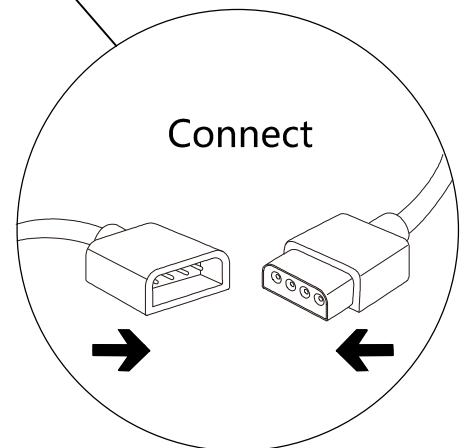
Clip in the harness
Magic Band



Stick to



Insert
USB



Connect