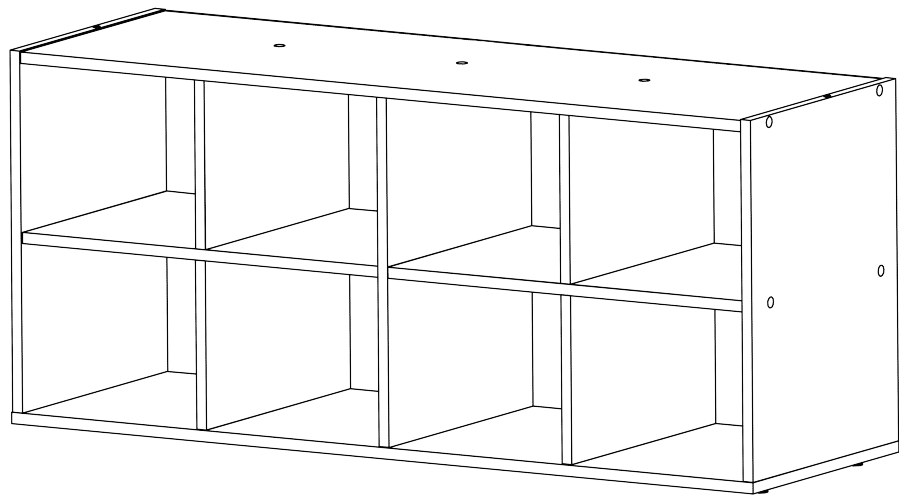
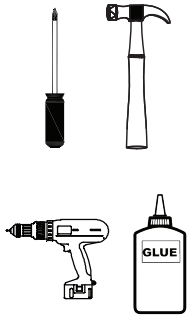




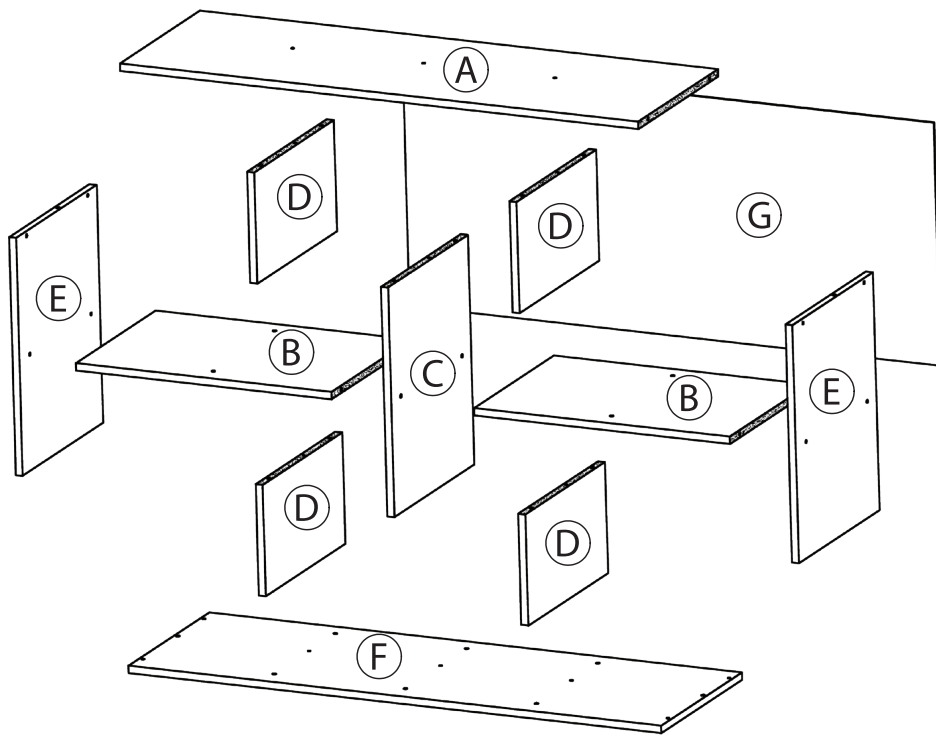
00:30



x 1



**MODEL:25006**



**1**

x 18



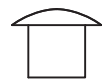
**2**

x 11



**3**

x 2



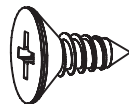
**4**

x 6



**5**

x 1



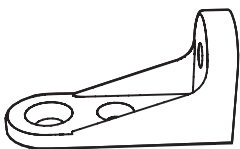
**6**

x 1



**7**

x 1



**8**

x 14



**9**

x 5

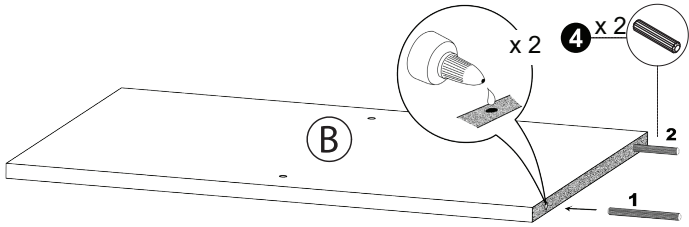
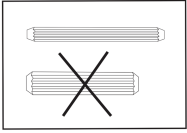


**10**

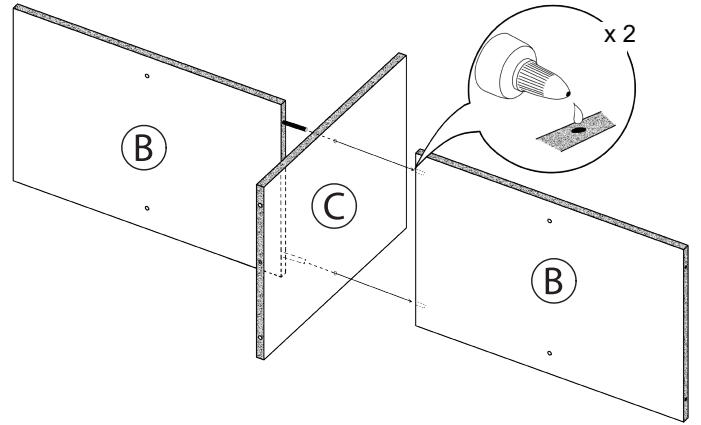
x 20



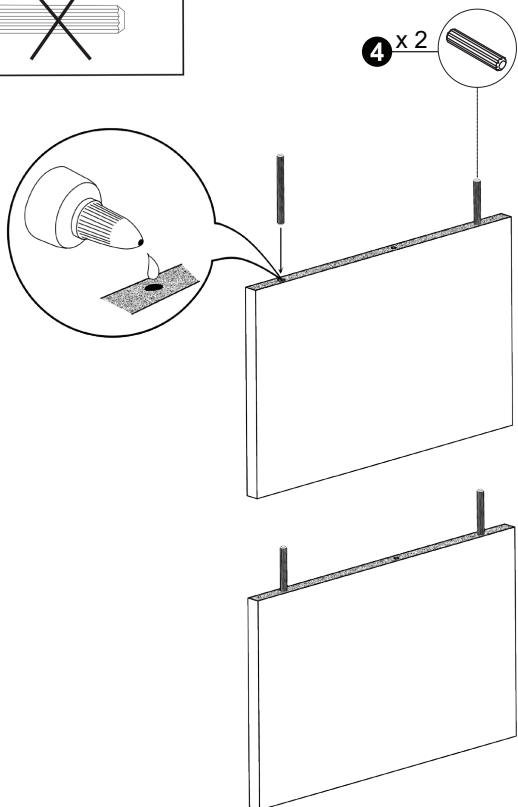
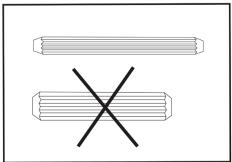
# 1



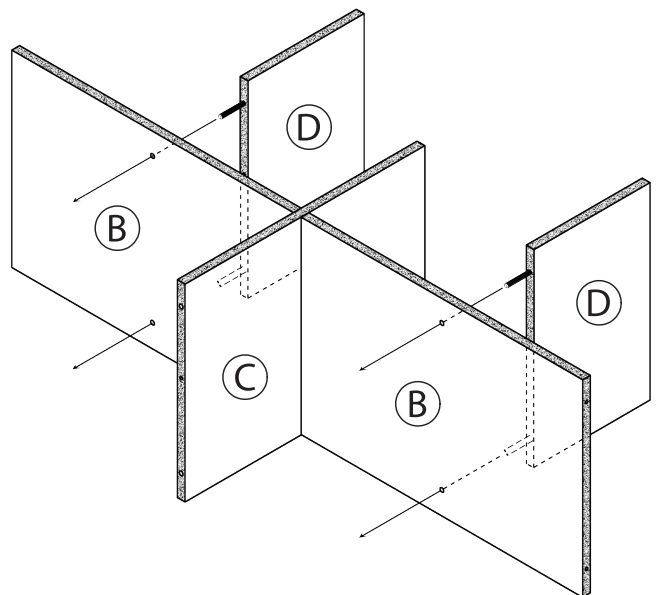
# 2



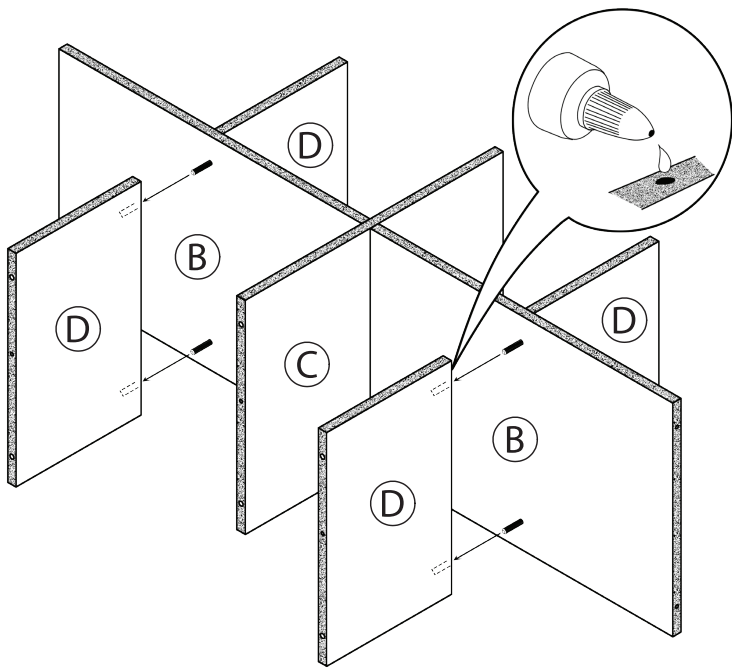
# 3



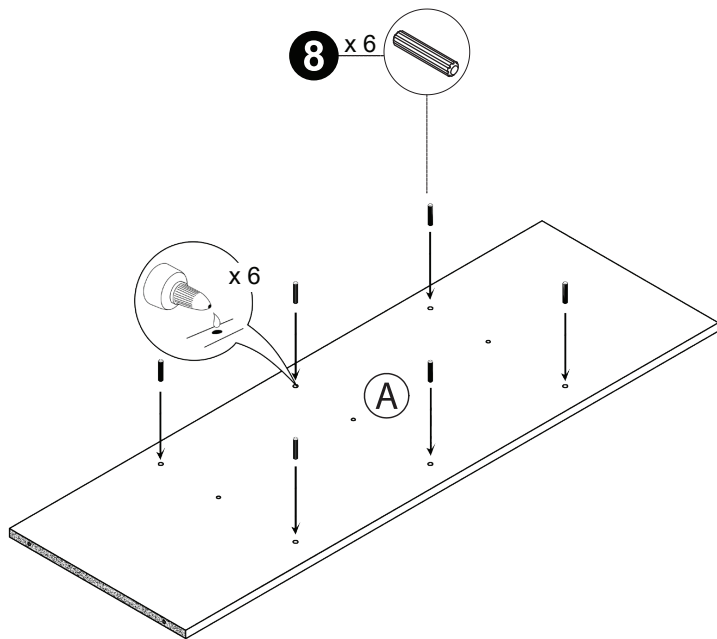
# 4



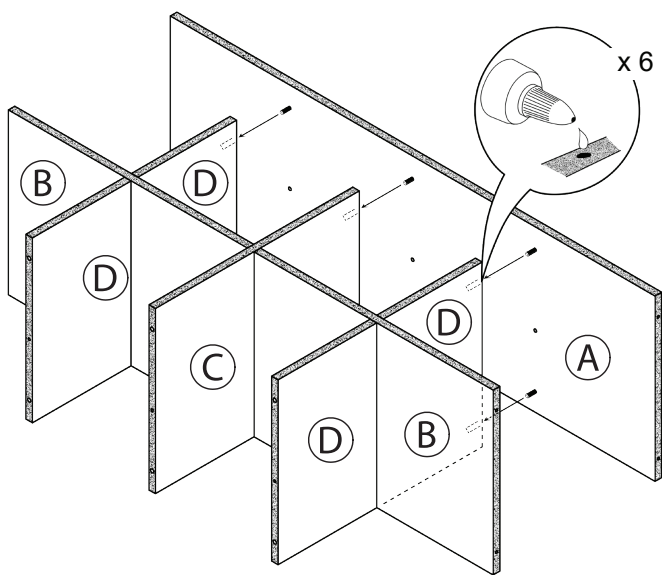
5



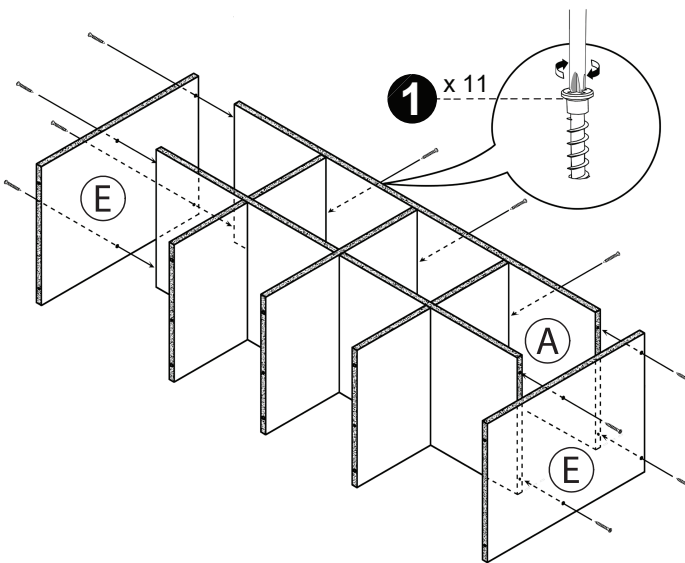
6



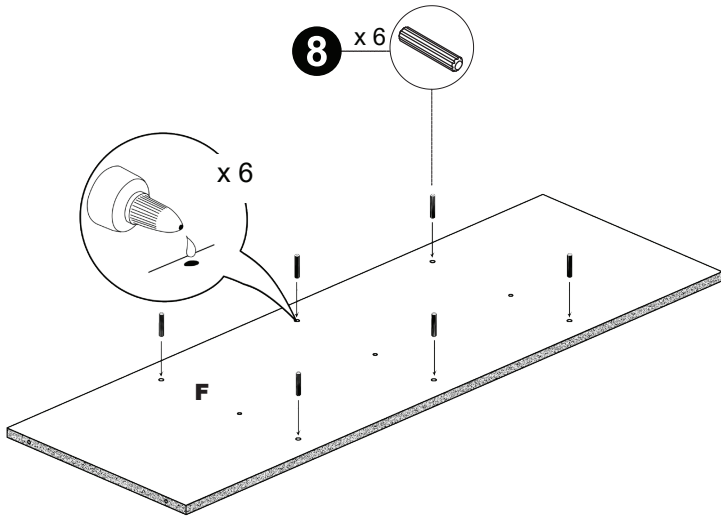
7



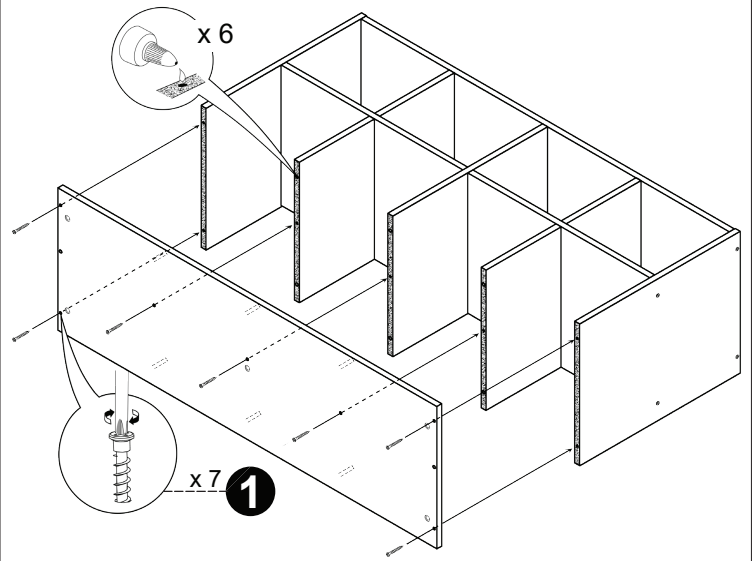
8



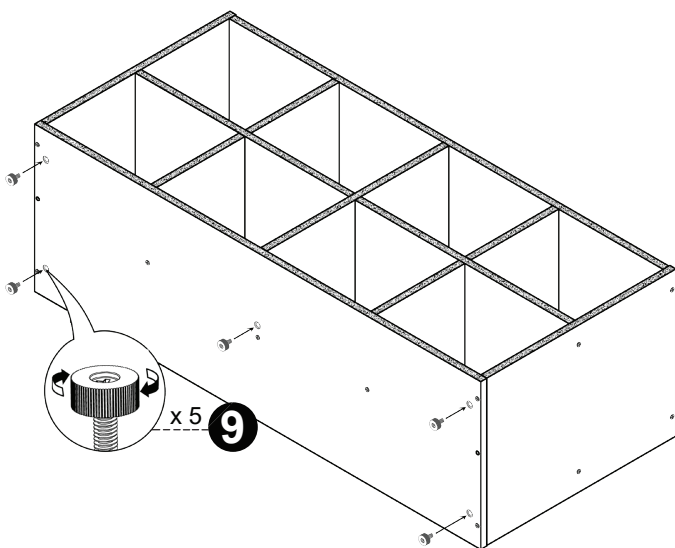
9



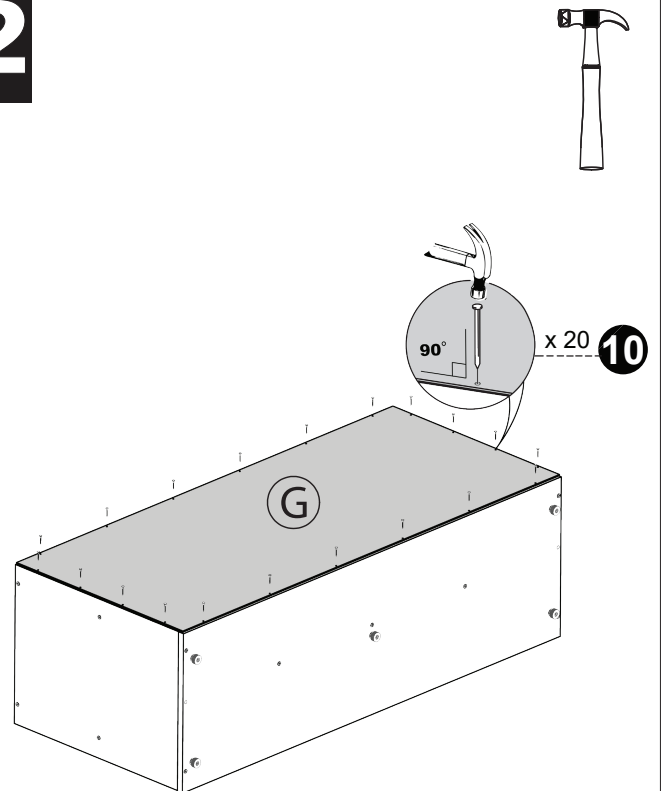
10



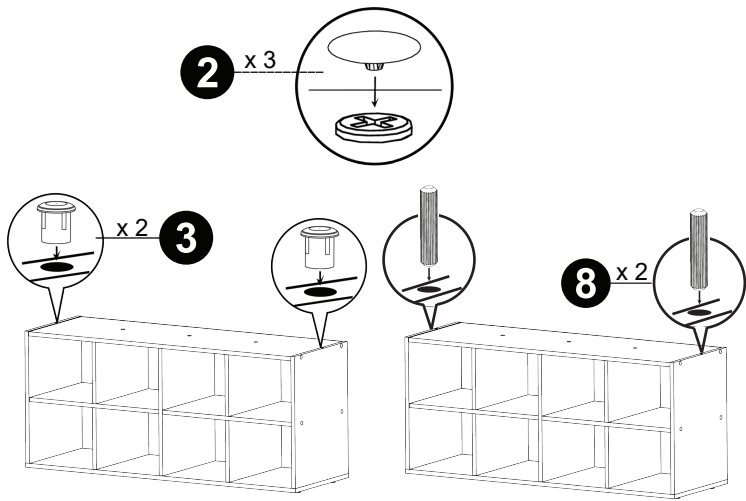
11



12



# 13



# 14

