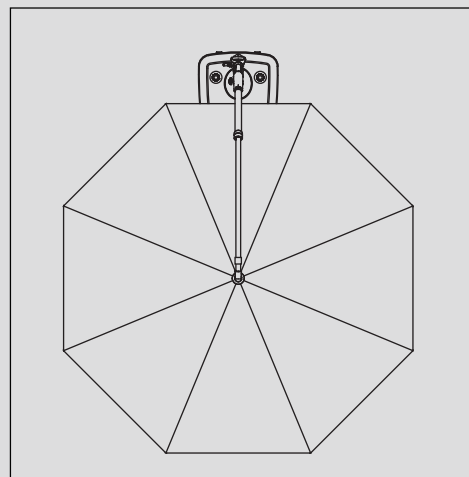
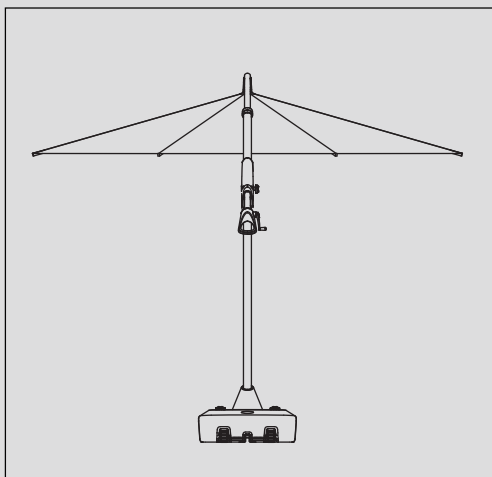
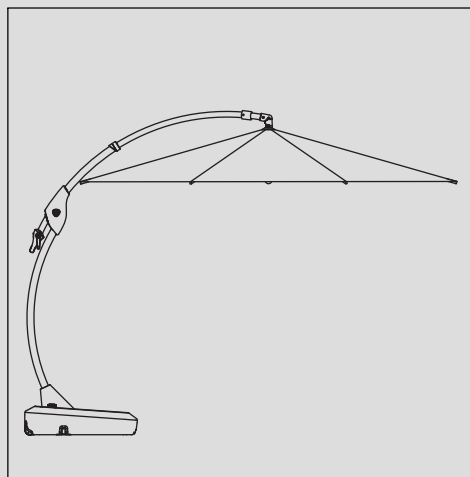
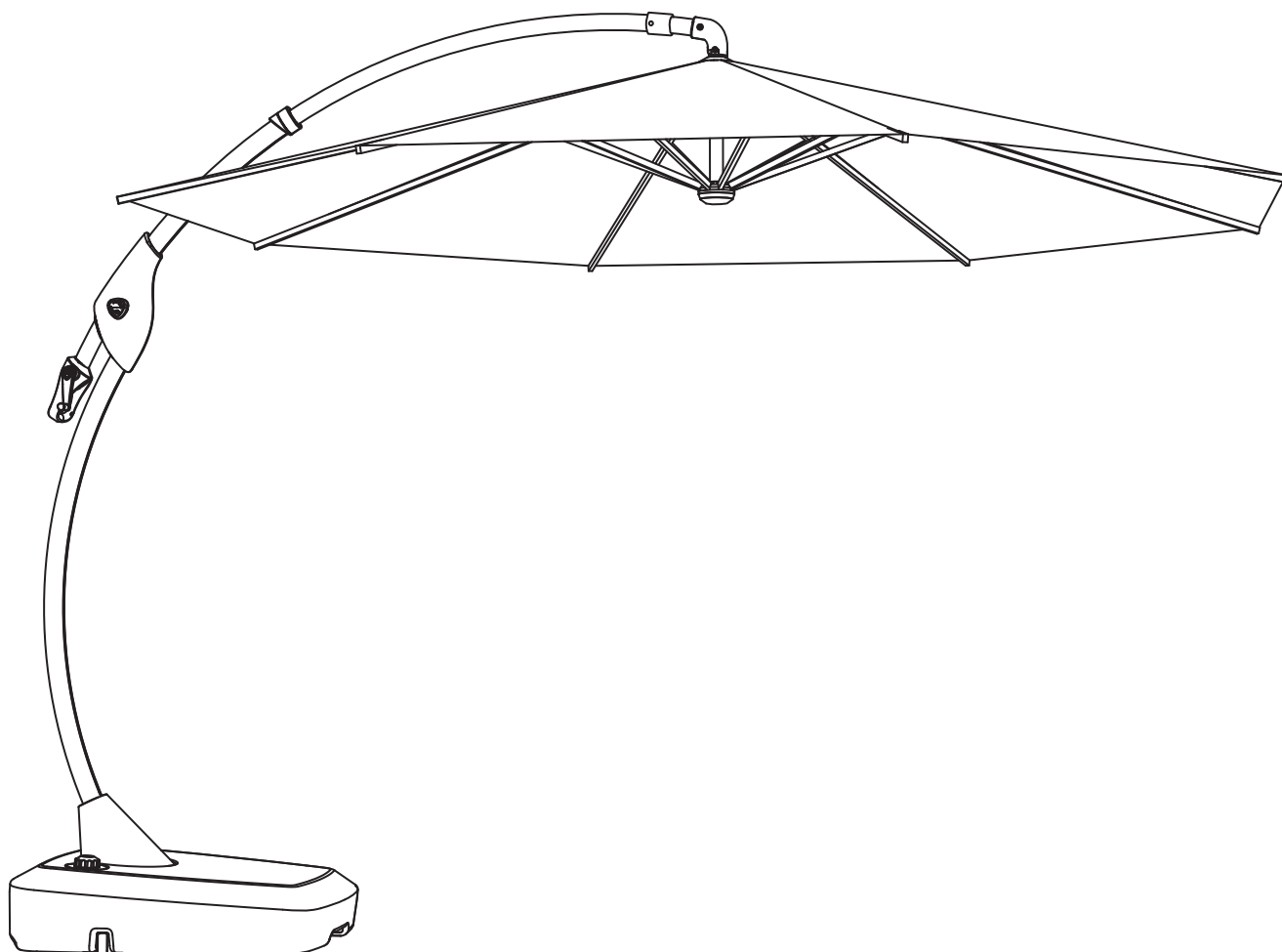
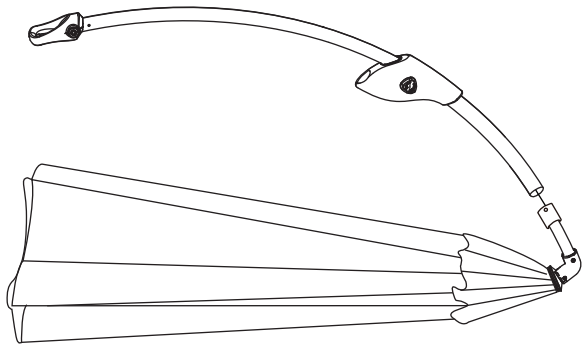


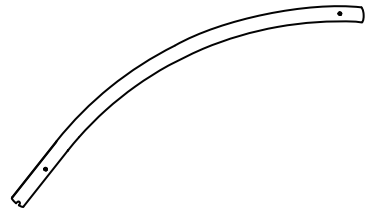
# HANGING UMBRELLA

## ASSEMBLY INSTRUCTIONS

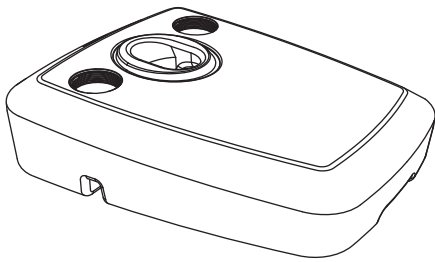




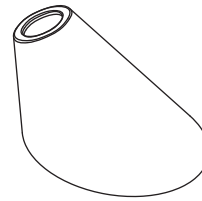
**Ax1**



**Bx1**



**Cx1**



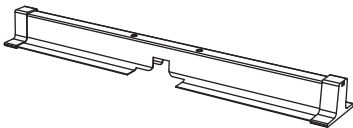
**Dx1**



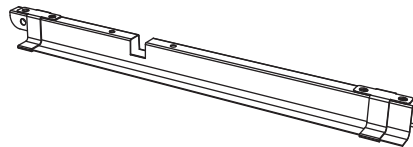
**ATTENTION:** C&D&E in carton 2



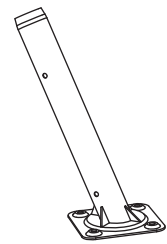
**Ex2**



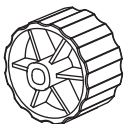
**Fx1**



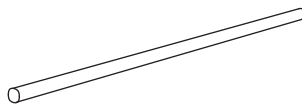
**Gx1**



**Hx1**



**Ix2**



**Jx1**



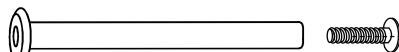
**Sx1**



**Kx4**



**Lx3**



**Mx1**



**Nx1**



**Ox1**



**Px1**



**Qx1**

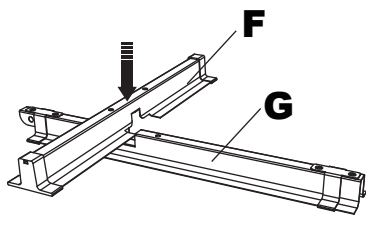


**Rx1**

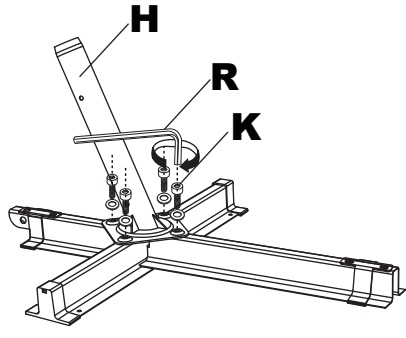


**Tx2**

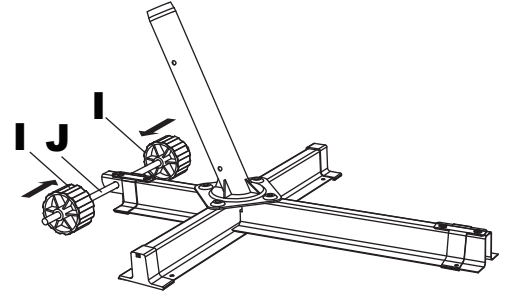
1



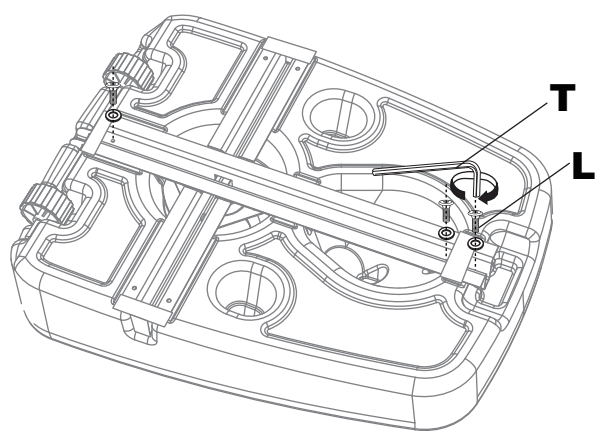
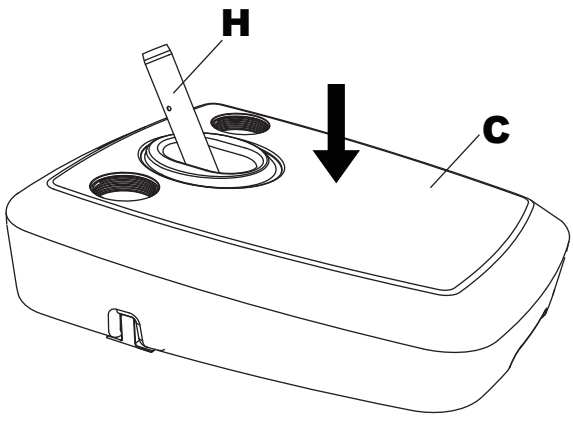
2



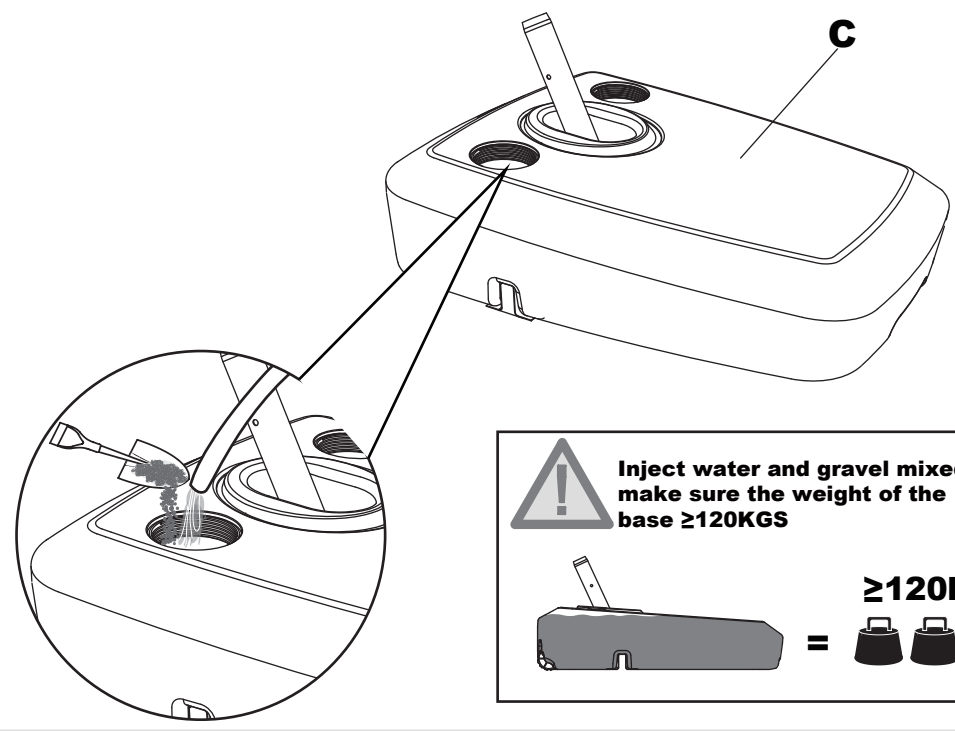
3






4



5

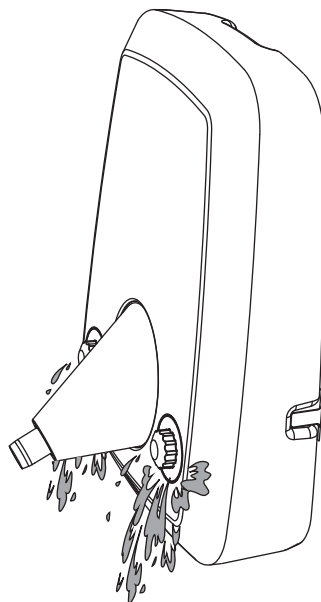
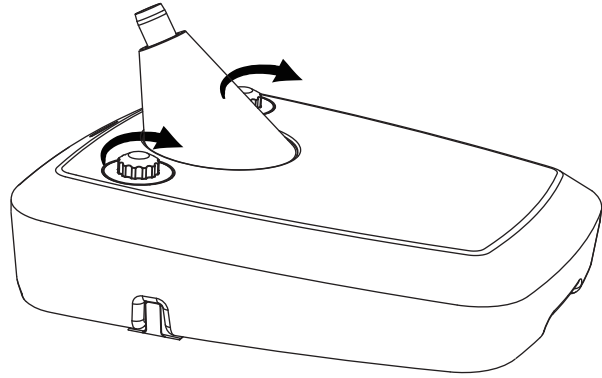


 **Inject water and gravel mixed  
make sure the weight of the  
base  $\geq 120\text{KGS}$**

 =   **$\geq 120\text{kgs}$**

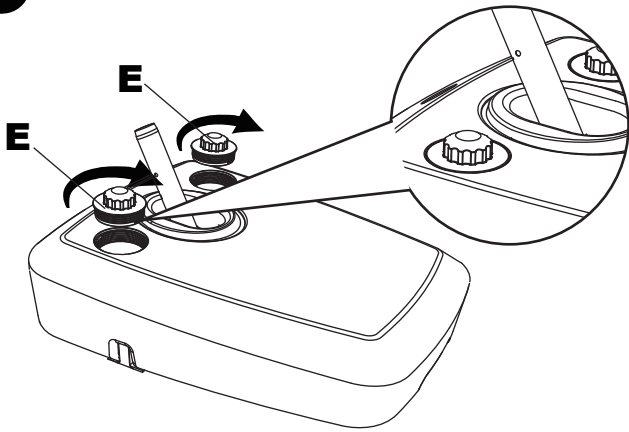


The knob must be tightened

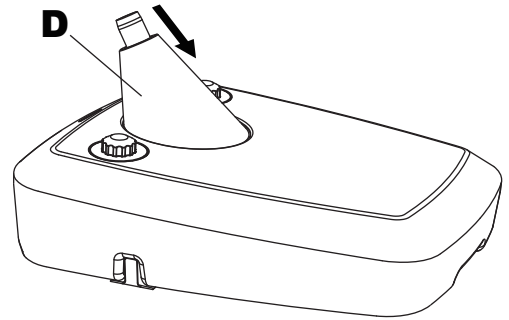


**6**

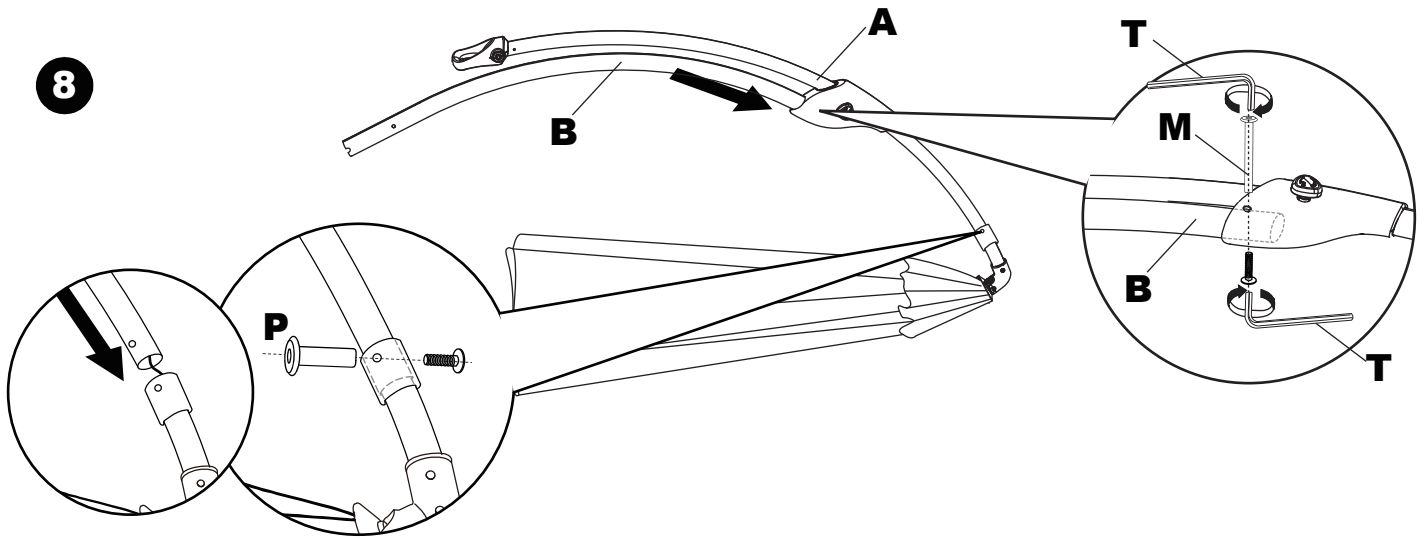
Tighten the plastic cap on the base.



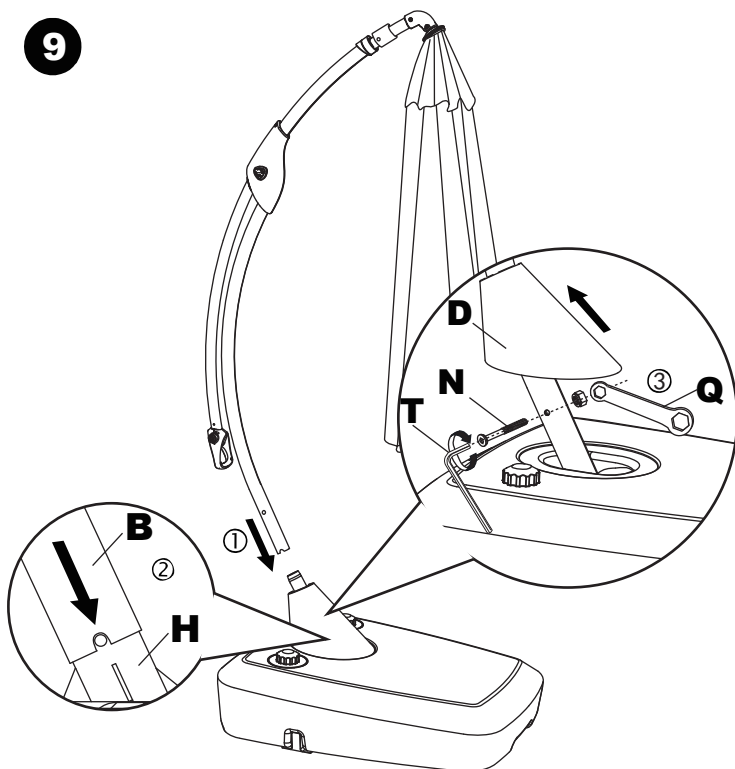
**7**



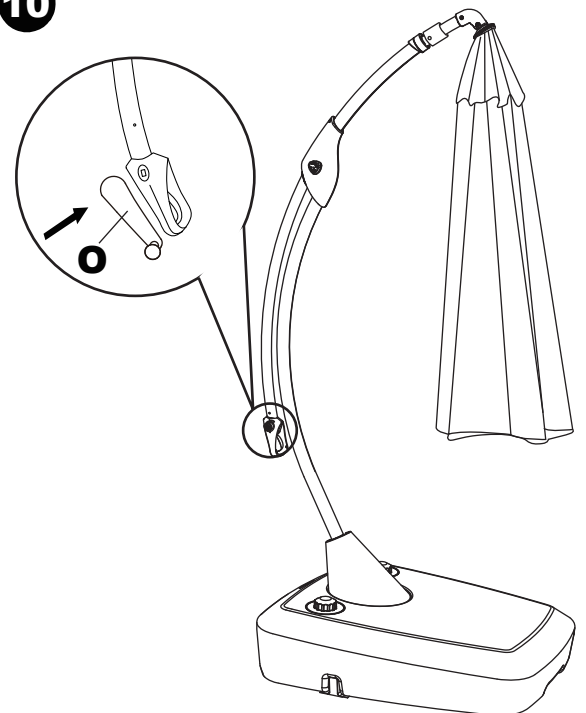
**8**



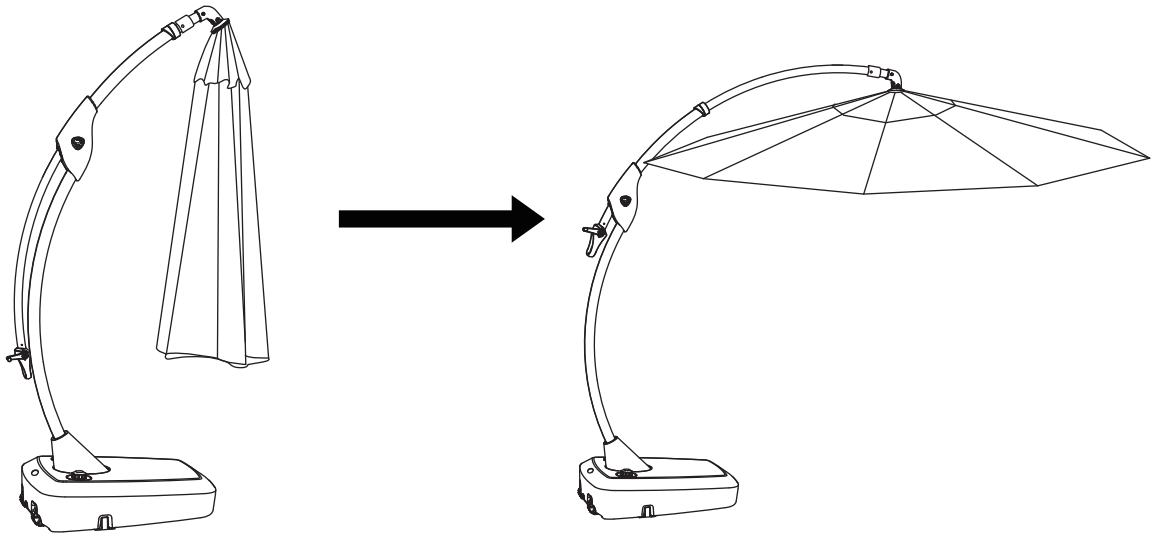
**9**



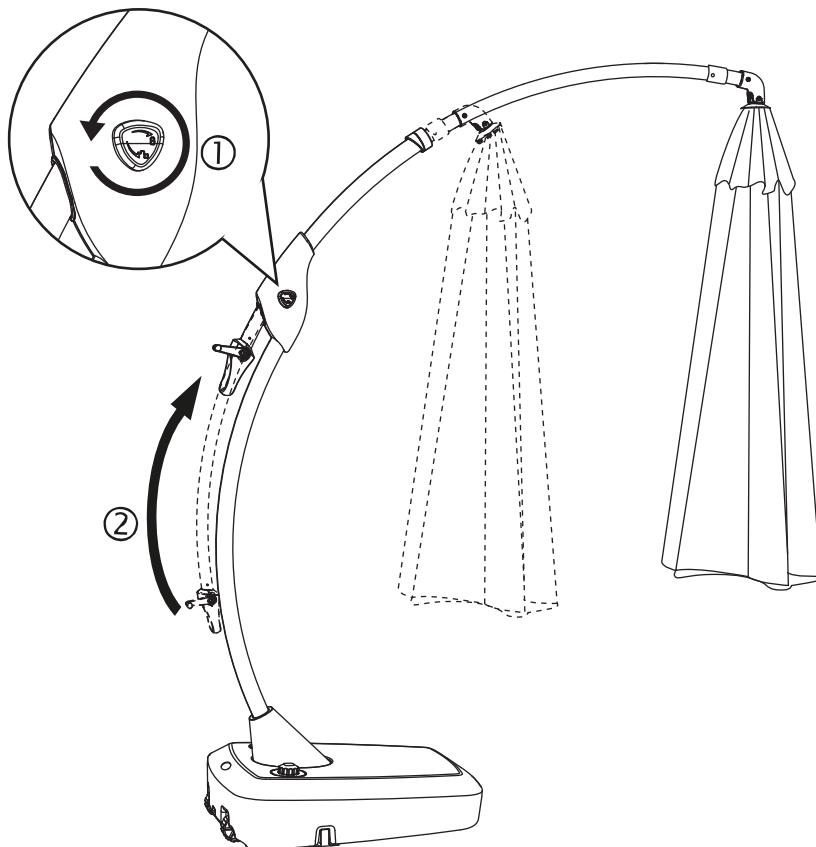
**10**



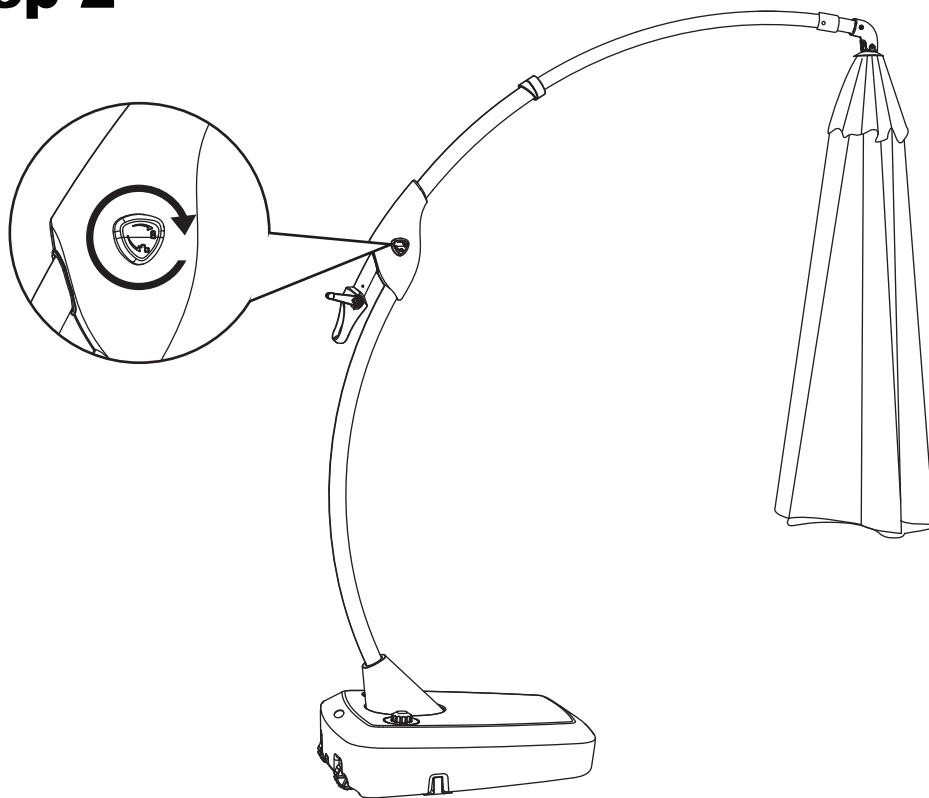
# I



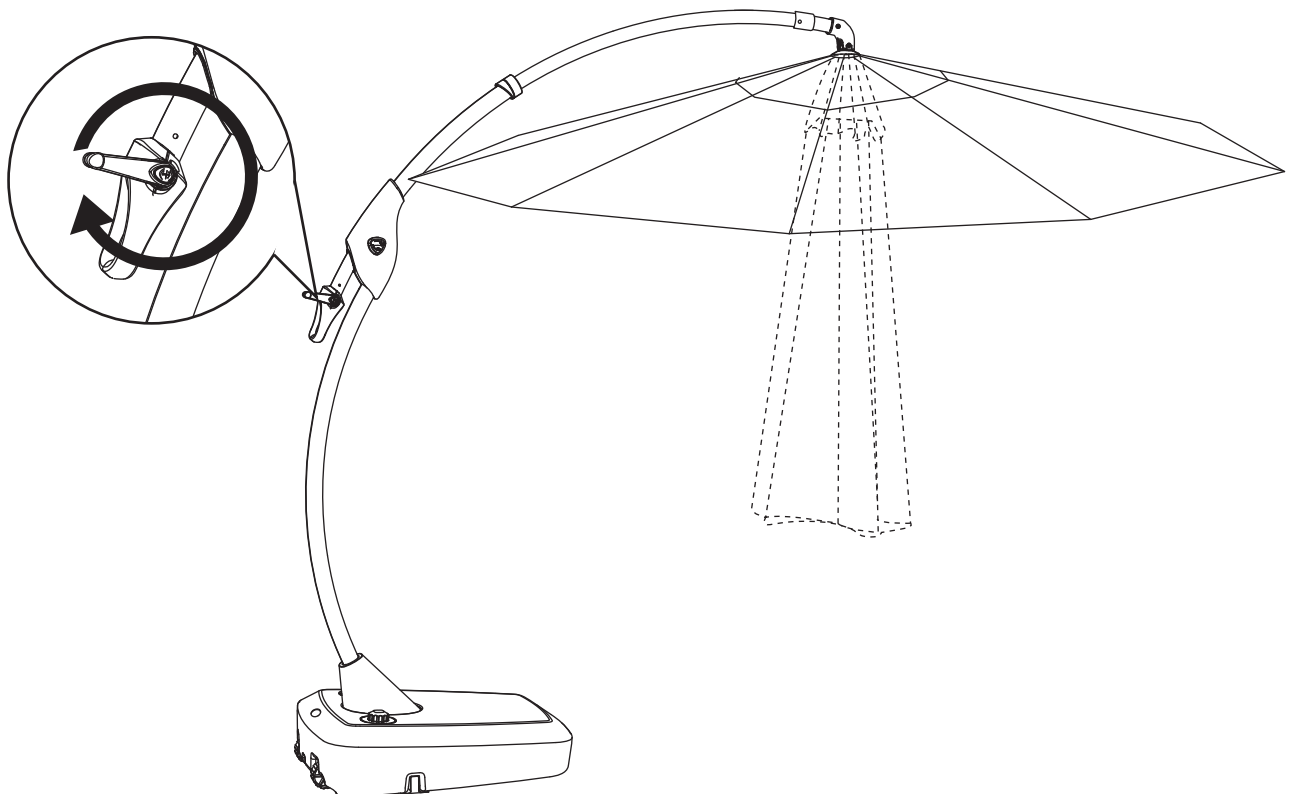
## Step 1



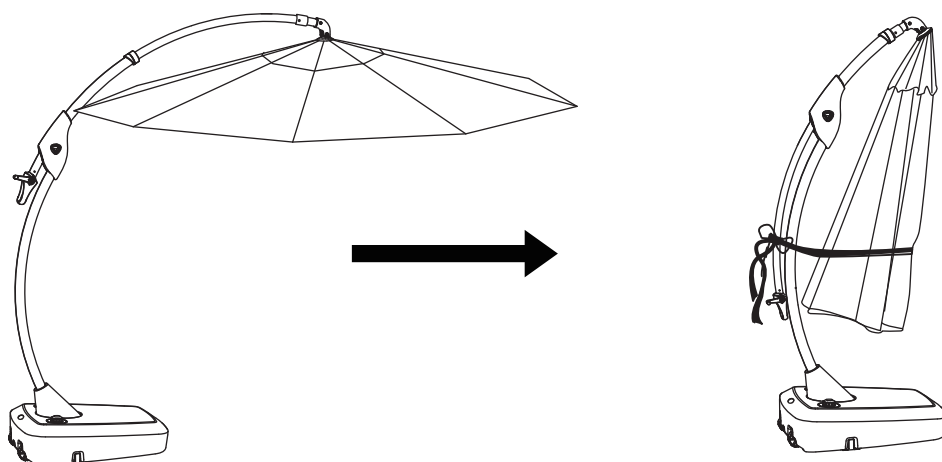
## Step 2



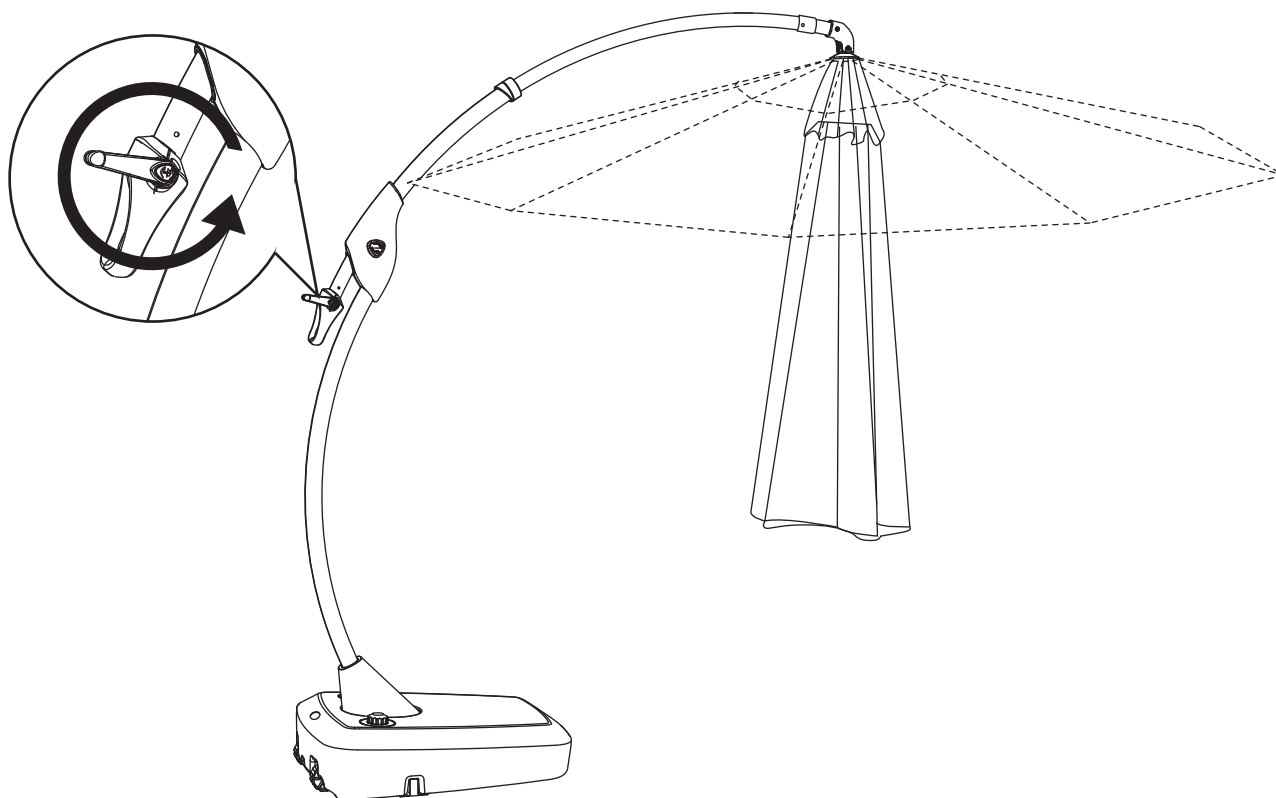
## Step 3



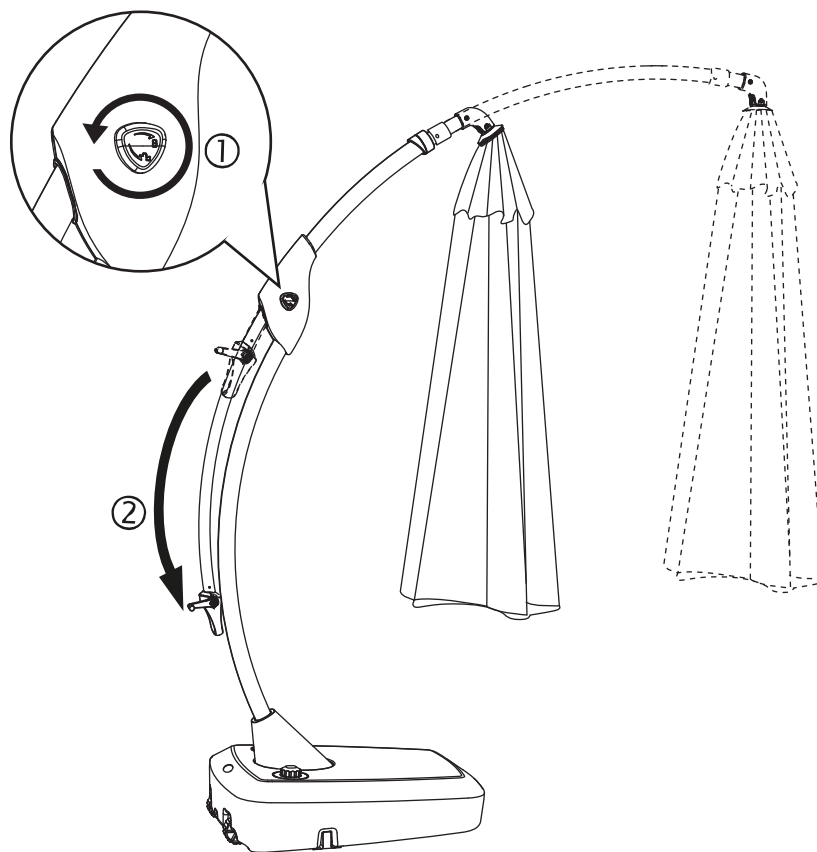
# II



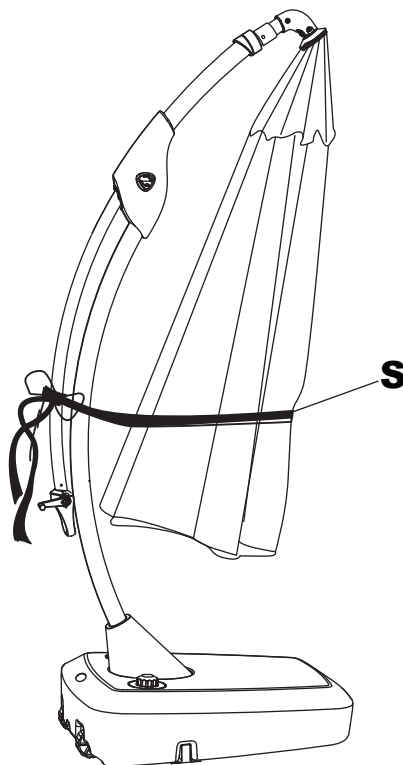
## Step 1



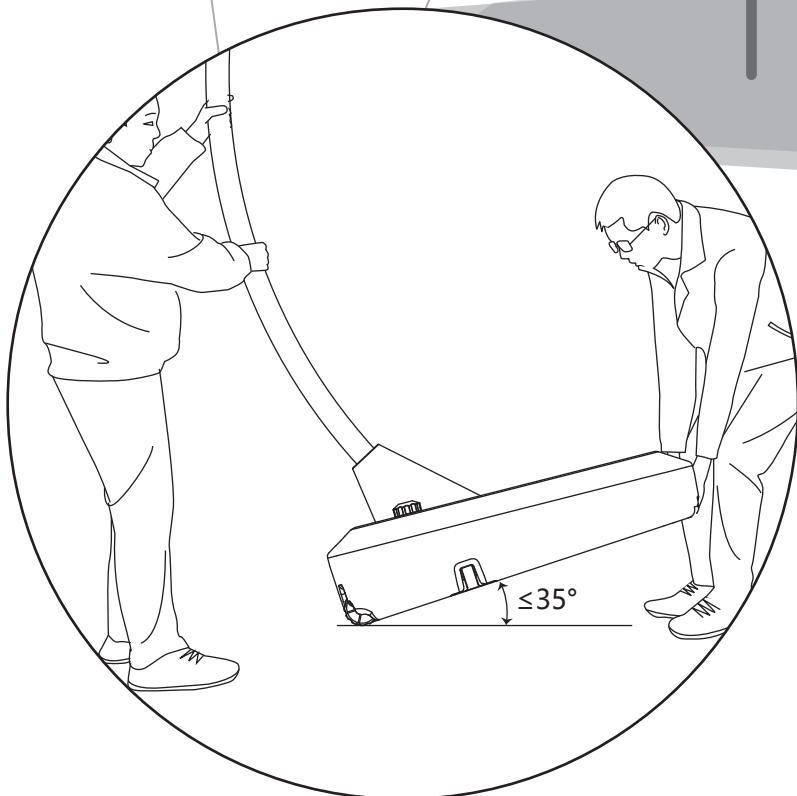
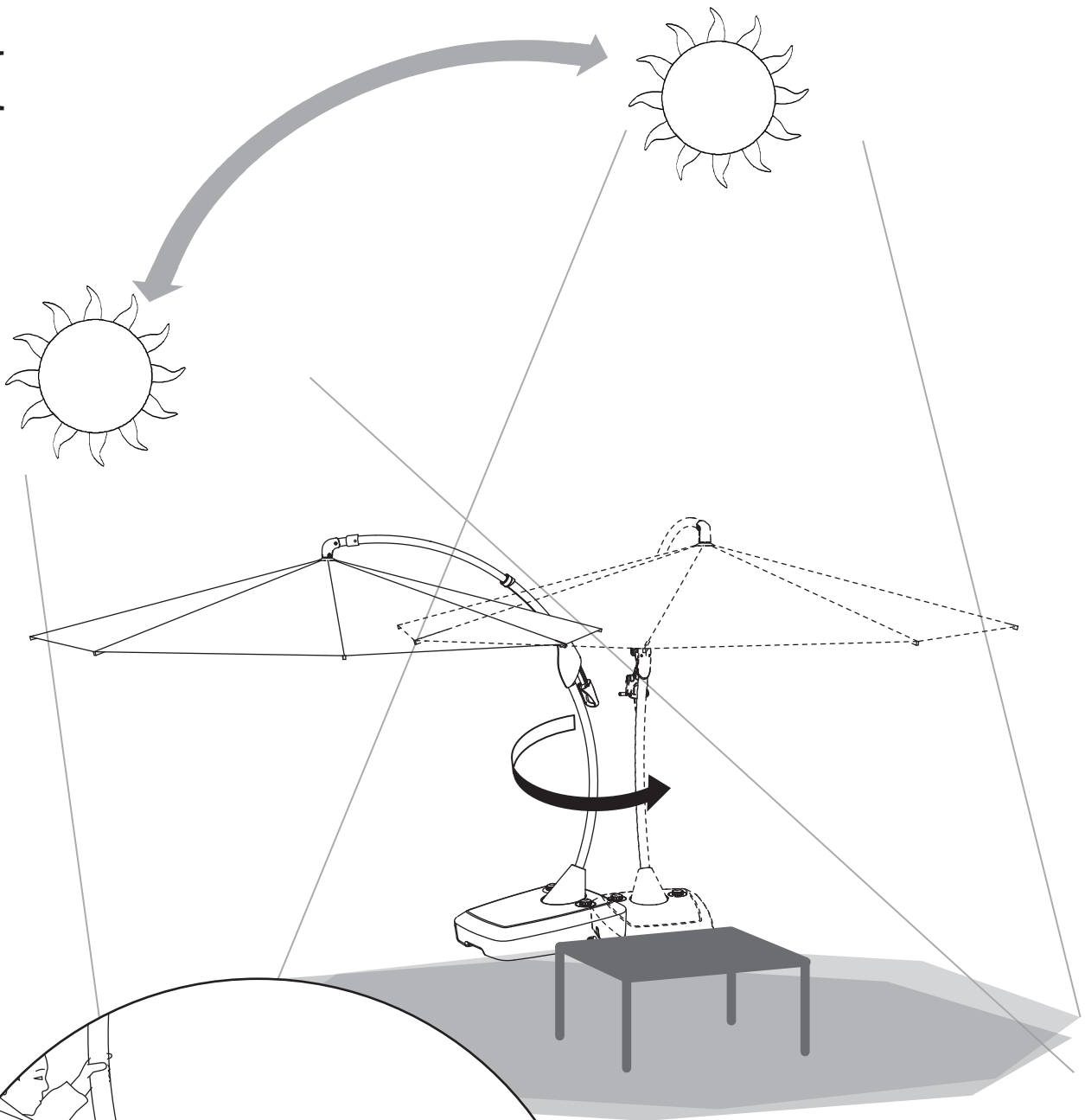
## Step 2



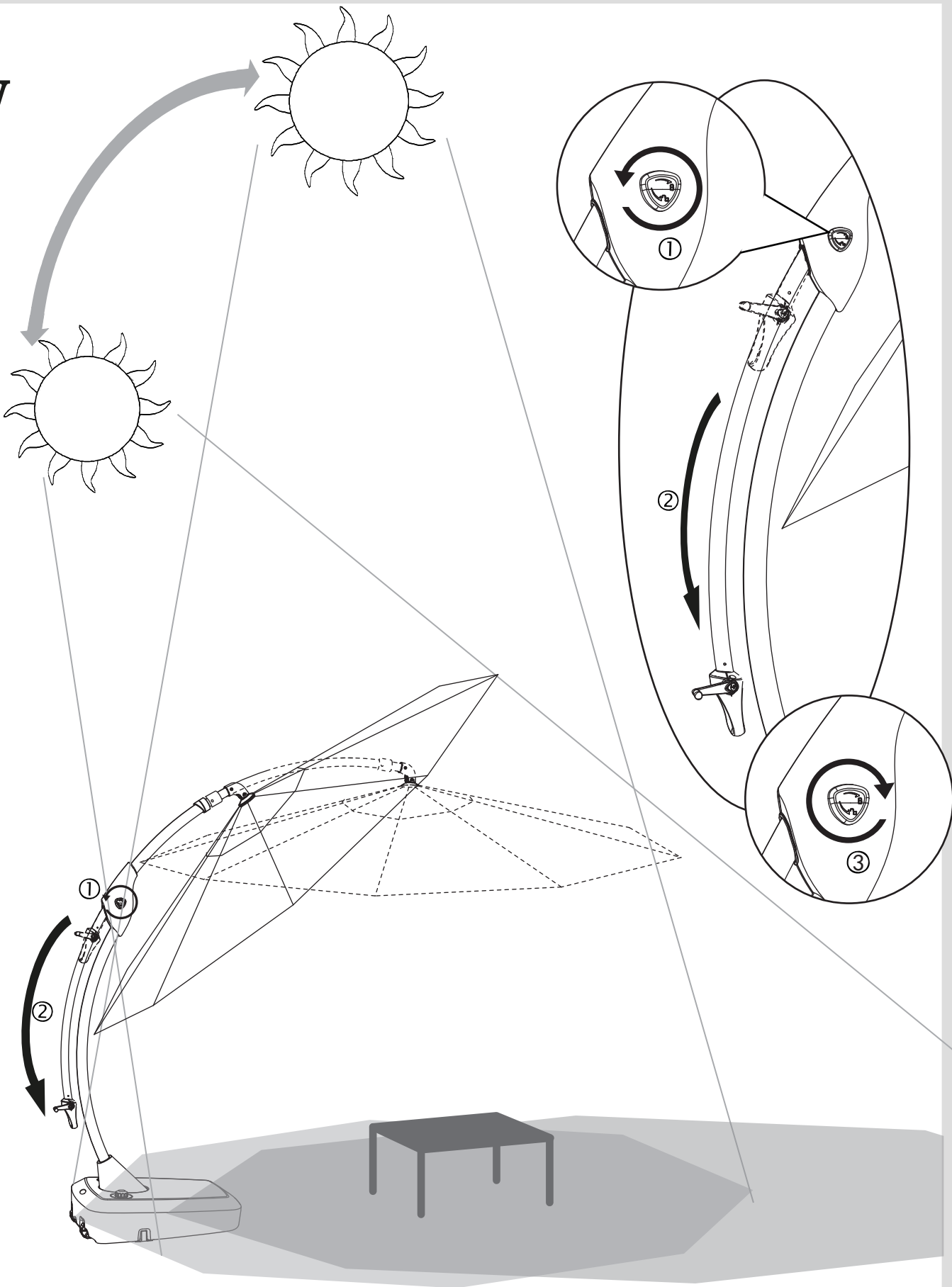
## Step 3



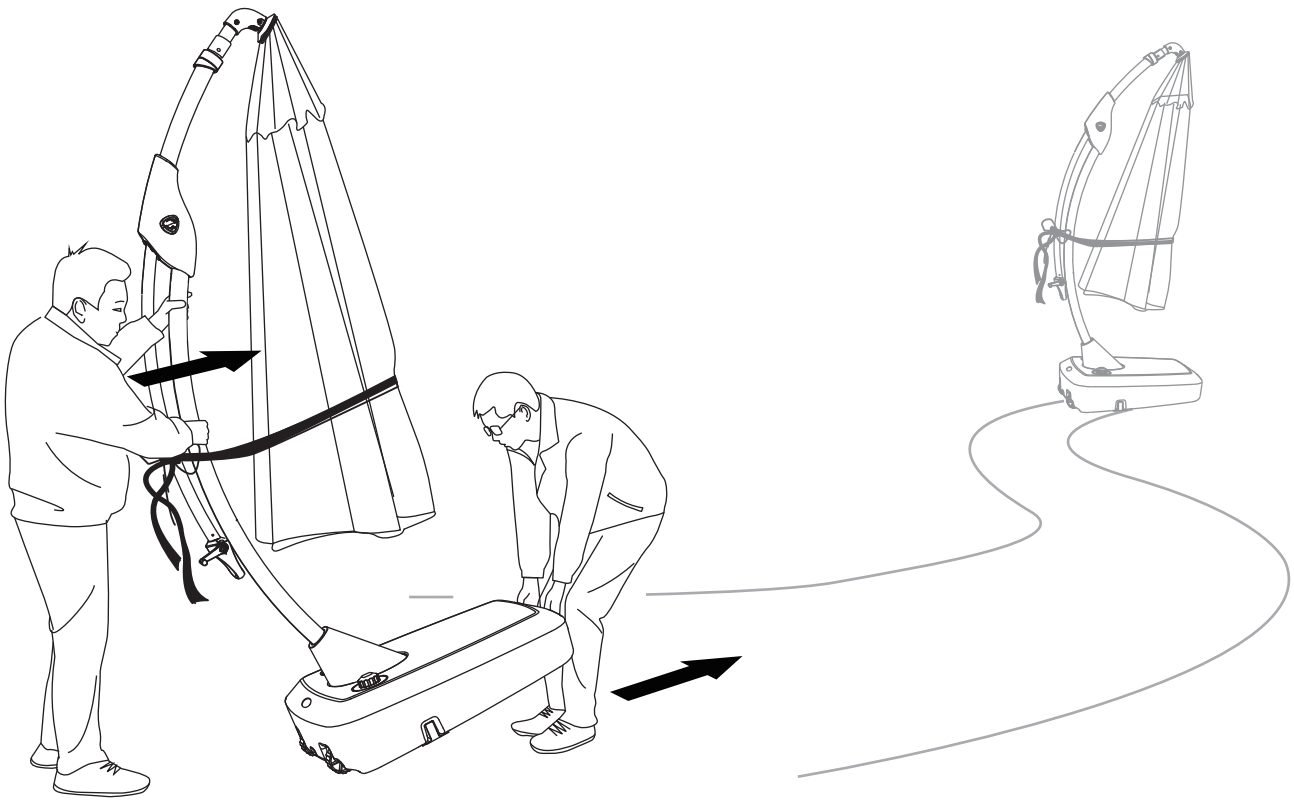
# III



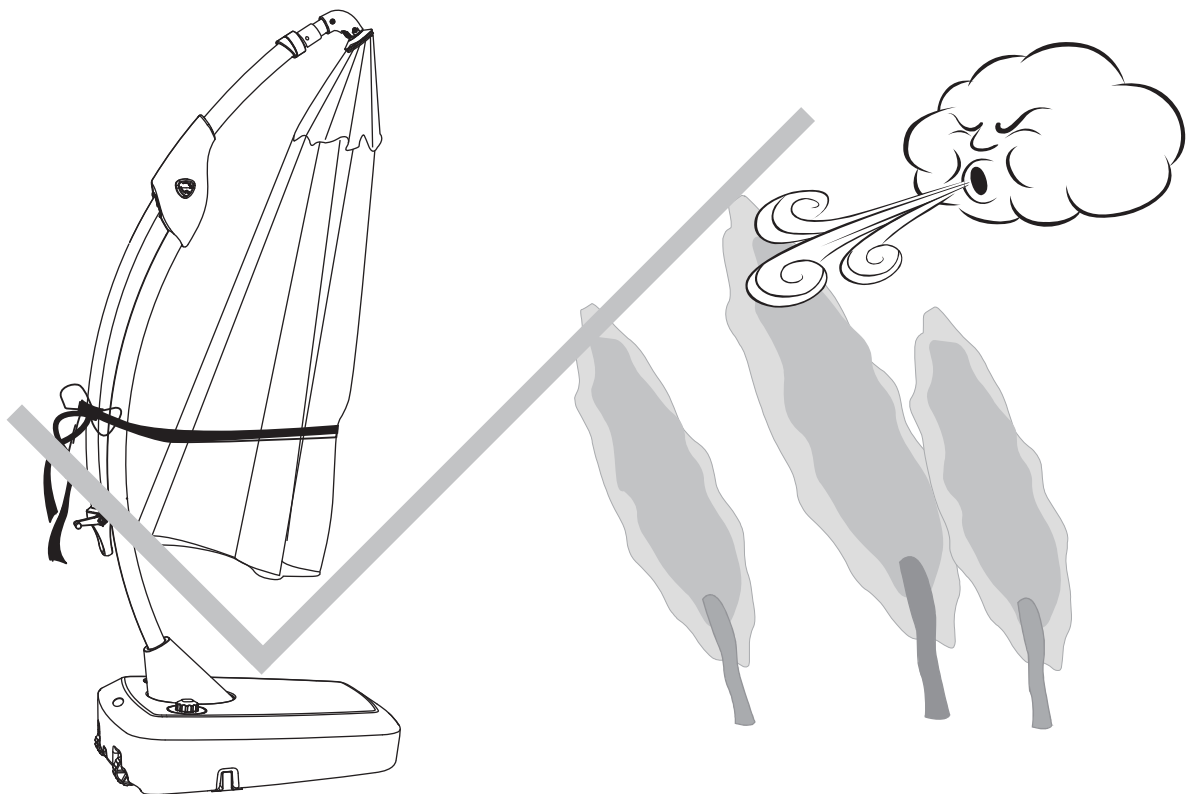
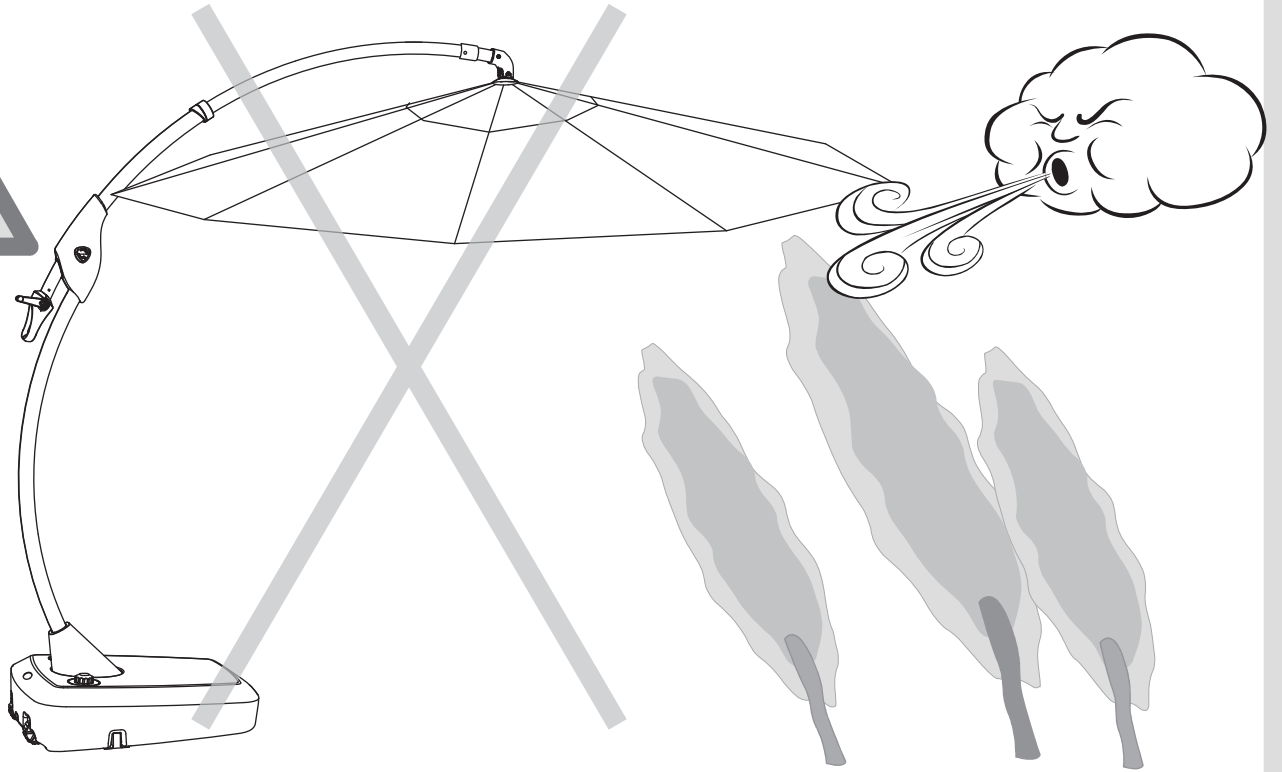
IV



V



VI



# VII

