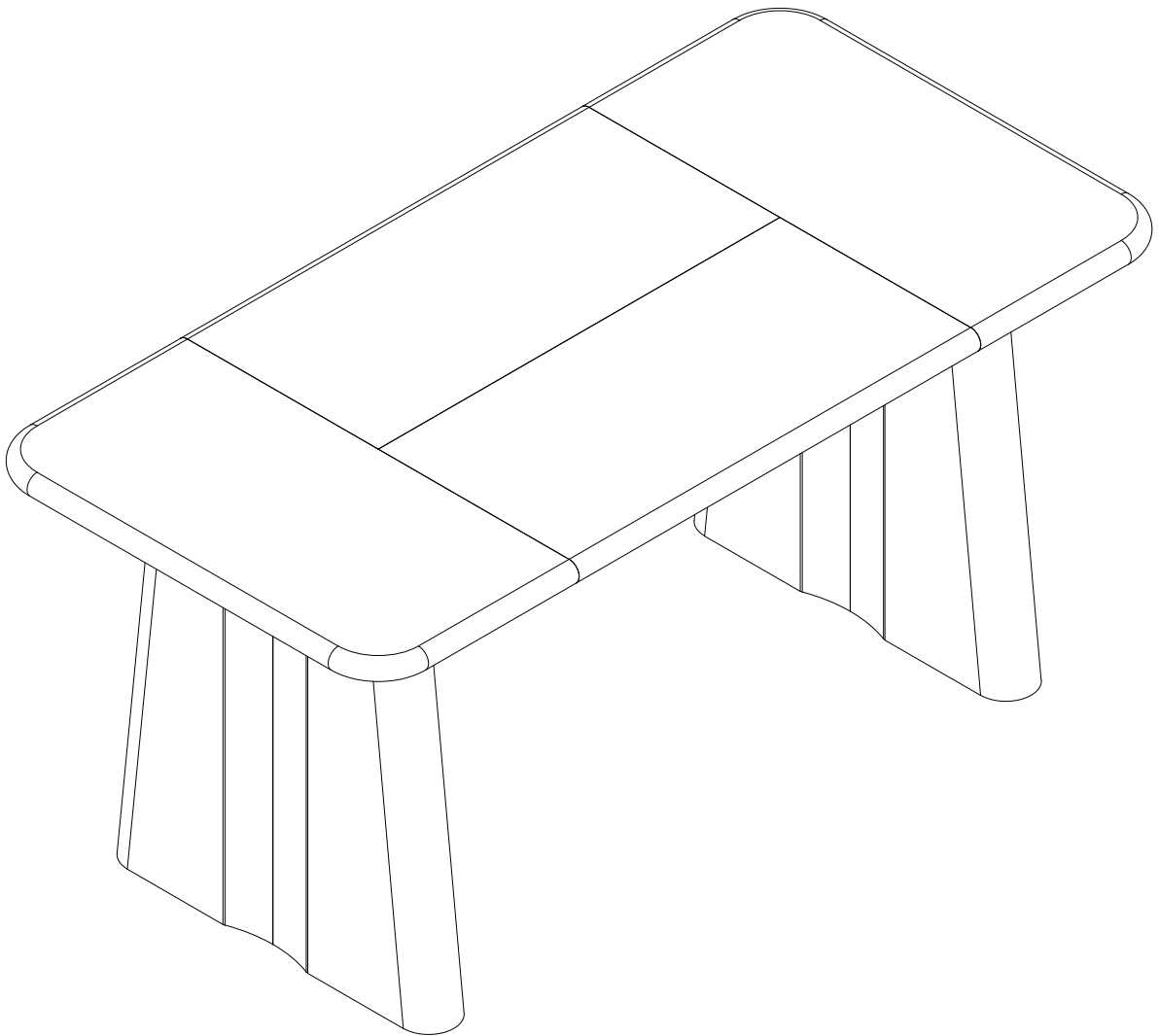


Assembly Instructions



Dining Table

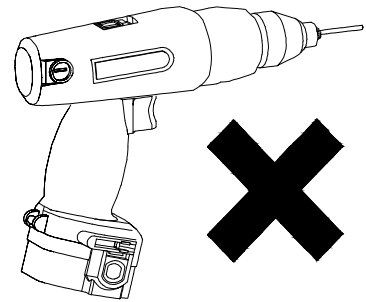
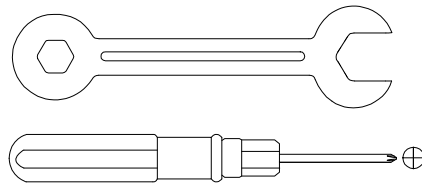
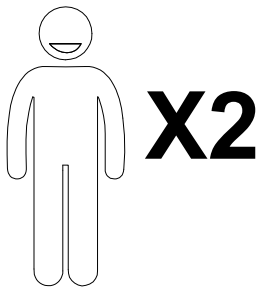
Contact Us

We're here to help you.

Your satisfaction is our top priority. If you encounter any issues with this product, such as missing or damaged parts, we're here to help. Please retain the original packaging and take photos of the packaging and the product, then contact us as soon as possible.

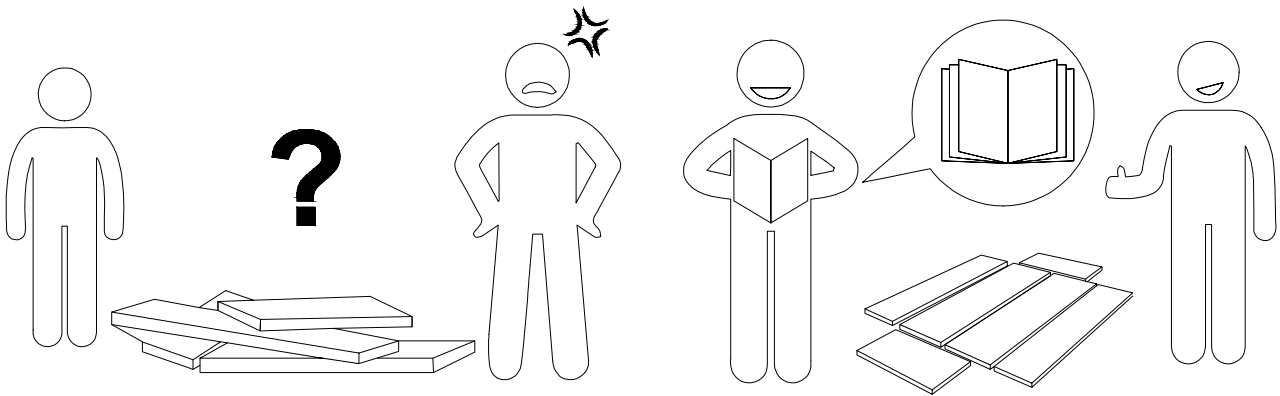
Warm Tips

1. Carefully read these instructions and keep them for future reference.
2. Check the parts list and confirm everything's there before starting assembly.
3. When assembling, put all parts on a soft, smooth surface like a carpet to avoid scratches.
4. Don't fully tighten screws until all parts are confirmed in place to avoid misalignment.



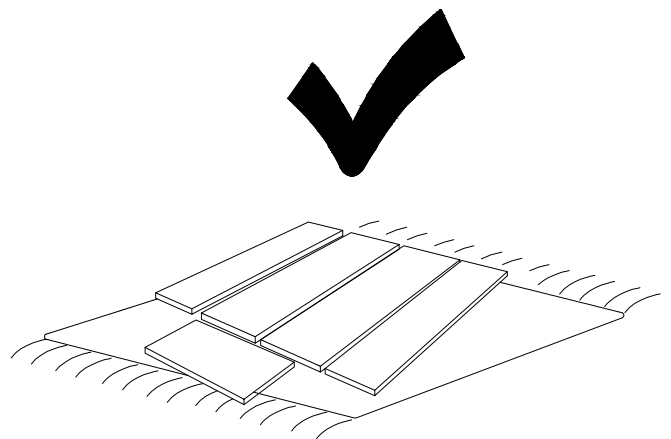
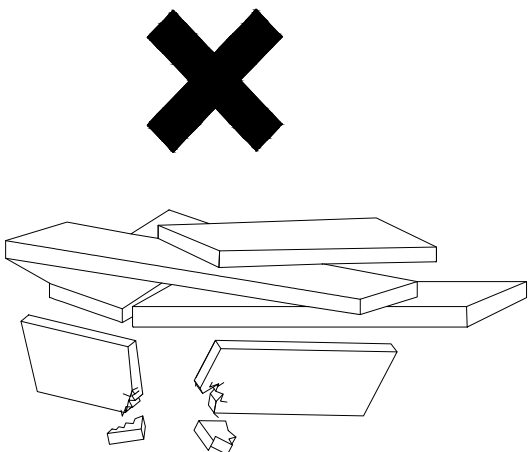
We recommend using hand tools for assembly.

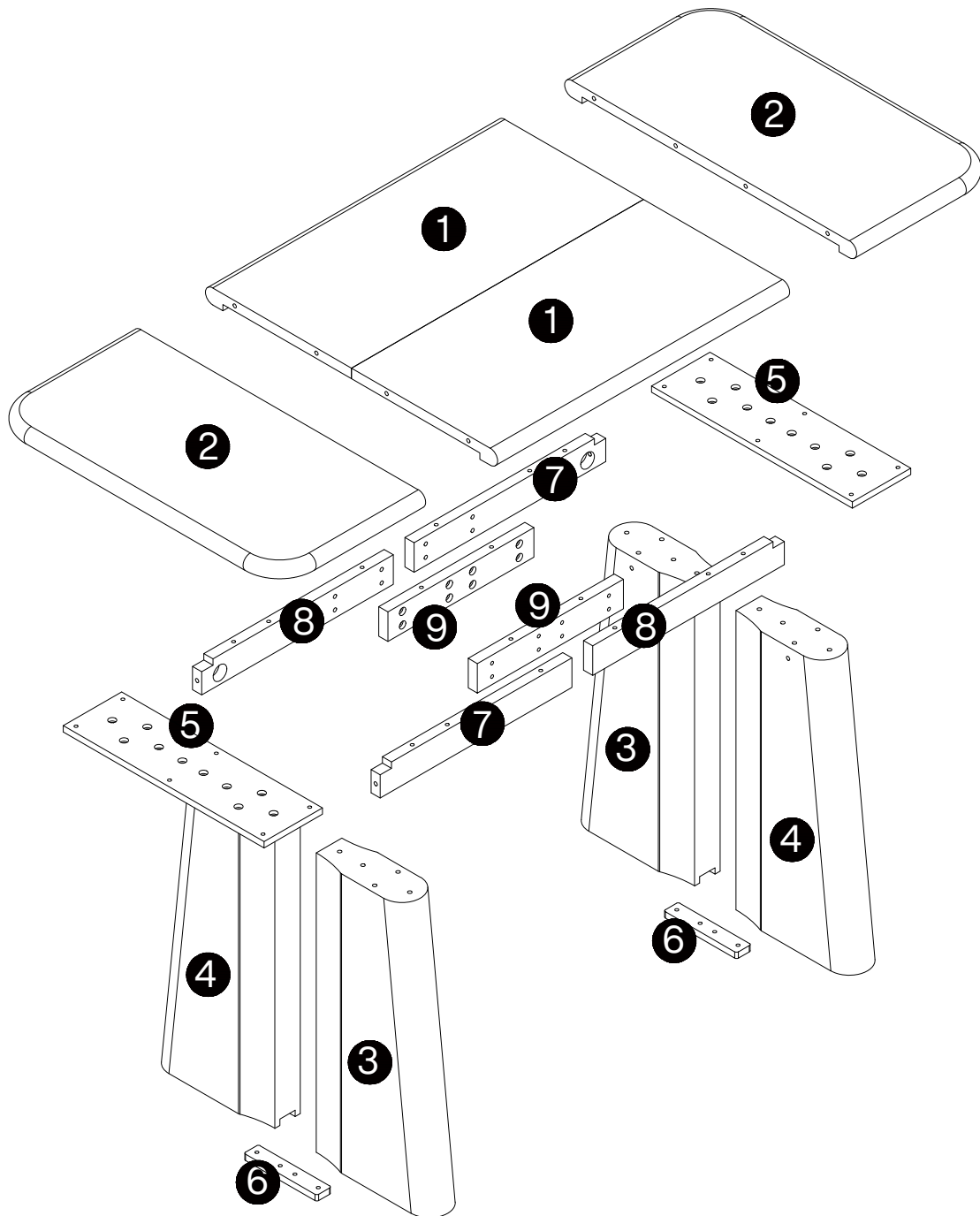
If an electric screwdriver is used, reduce power and torque to avoid damage to the product.



AVOID SCRATCHES

In order to avoid scratching, this furniture should be assembled on a soft surface, such as a rug.

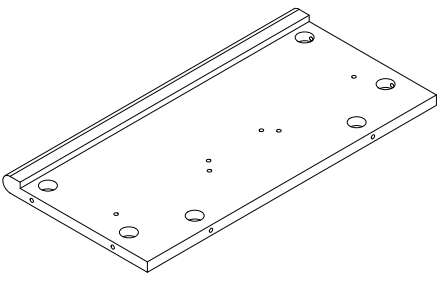
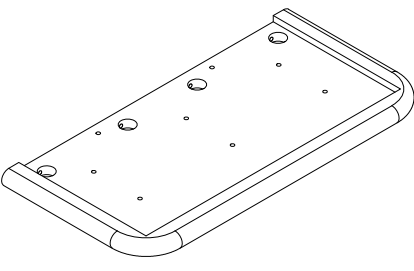
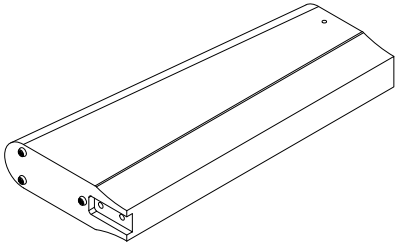
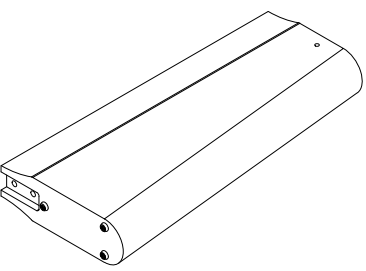
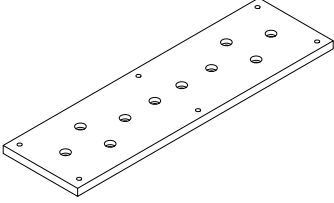
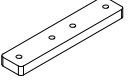
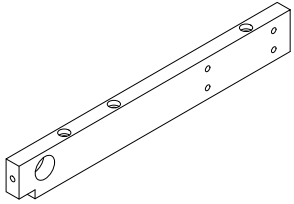
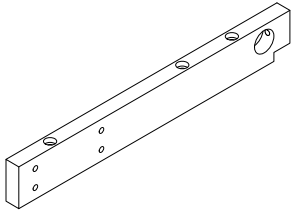
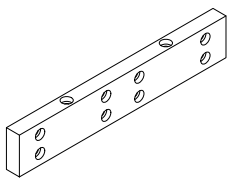




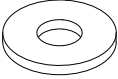
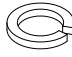
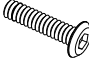
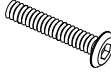
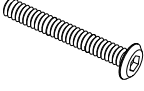
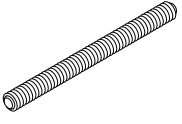
⚠ Caution

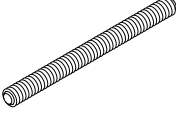
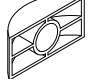




Make sure all parts are included. Most board parts are labeled or stamped on the raw edge. Contact us for a free replacement if you encounter any damaged or missing parts.


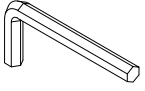
Parts List

<p>1</p>  <p>2 pcs</p>	<p>2</p>  <p>2 pcs</p>
<p>3</p>  <p>2 pcs</p>	<p>4</p>  <p>2 pcs</p>
<p>5</p>  <p>2 pcs</p>	<p>6</p>  <p>2 pcs</p>
<p>7</p>  <p>2 pcs</p>	<p>8</p>  <p>2 pcs</p>
<p>9</p>  <p>2 pcs</p>	

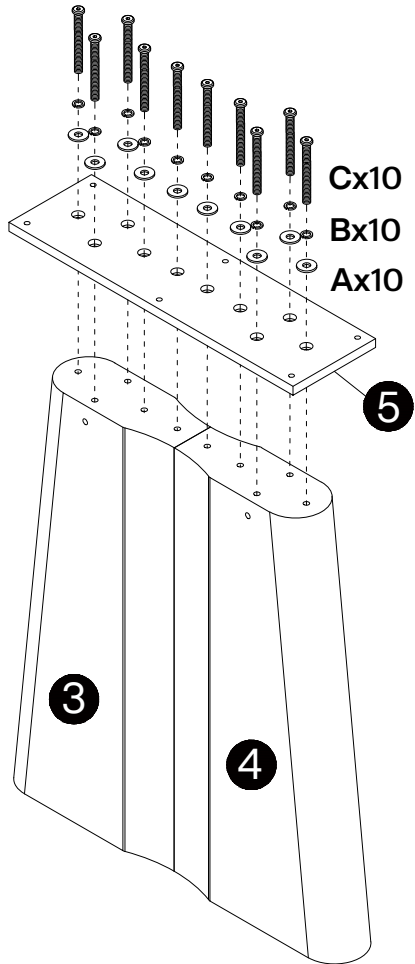
Hardware List

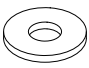


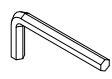
A	B	C	D	E	F
					
Ø 16	Ø 11	M6x20mm	M6x35mm	M6x75mm	M8x75mm
52 pcs	52 pcs	20 pcs	36 pcs	16 pcs	4 pcs

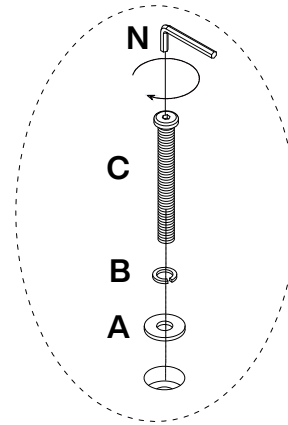
G	H	I	J	K	L
					
M8x100mm	M8	M8	M8	Ø20mm	Ø44
10 pcs	24 pcs	24 pcs	24 pcs	32 pcs	24 pcs

M	N				
					
M14	M4				
2 pcs	1pc				

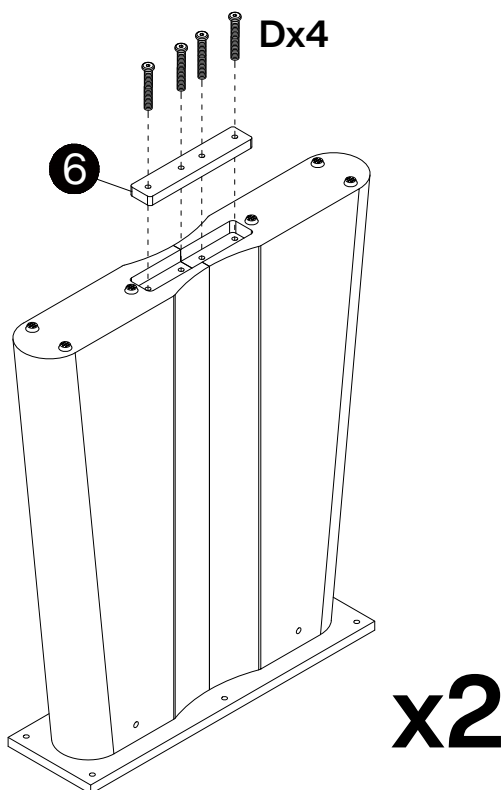
1




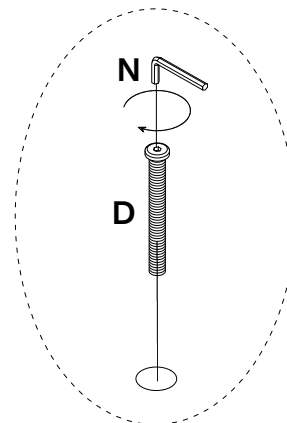
A	B	C	N
			
Ø 16	Ø 11	M6x20mm	M4
20 pcs	20 pcs	20 pcs	1 pc



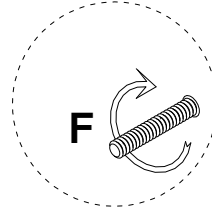
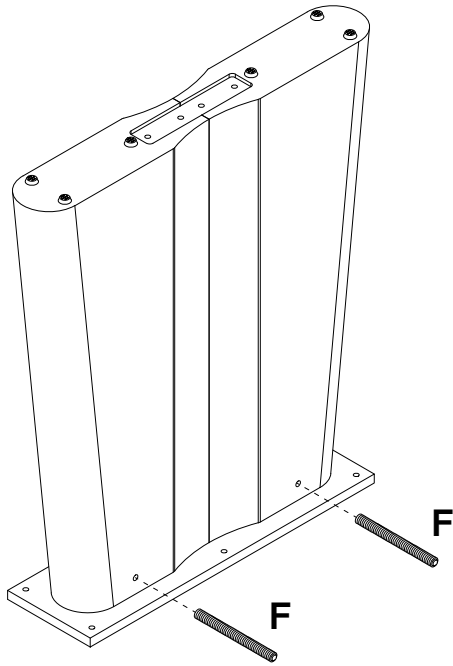
2



D

M6x35mm
8 pcs



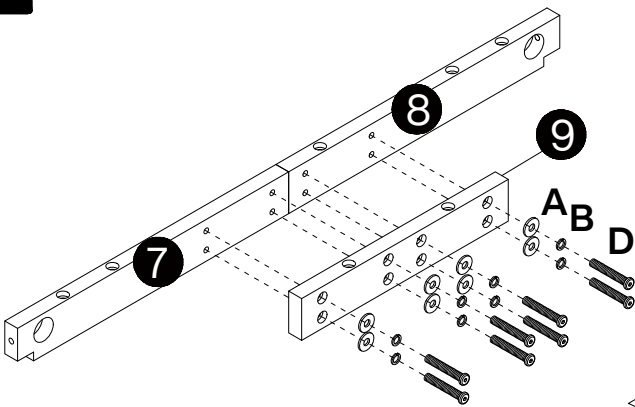
3



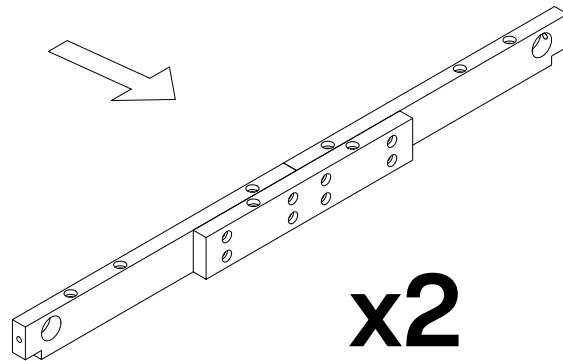
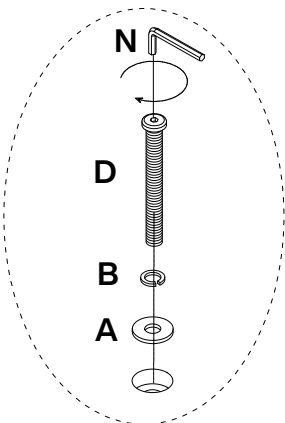
x2

F
M8x75mm
4 pcs

4

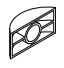





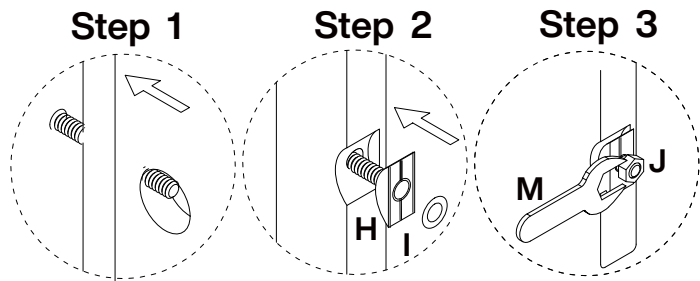
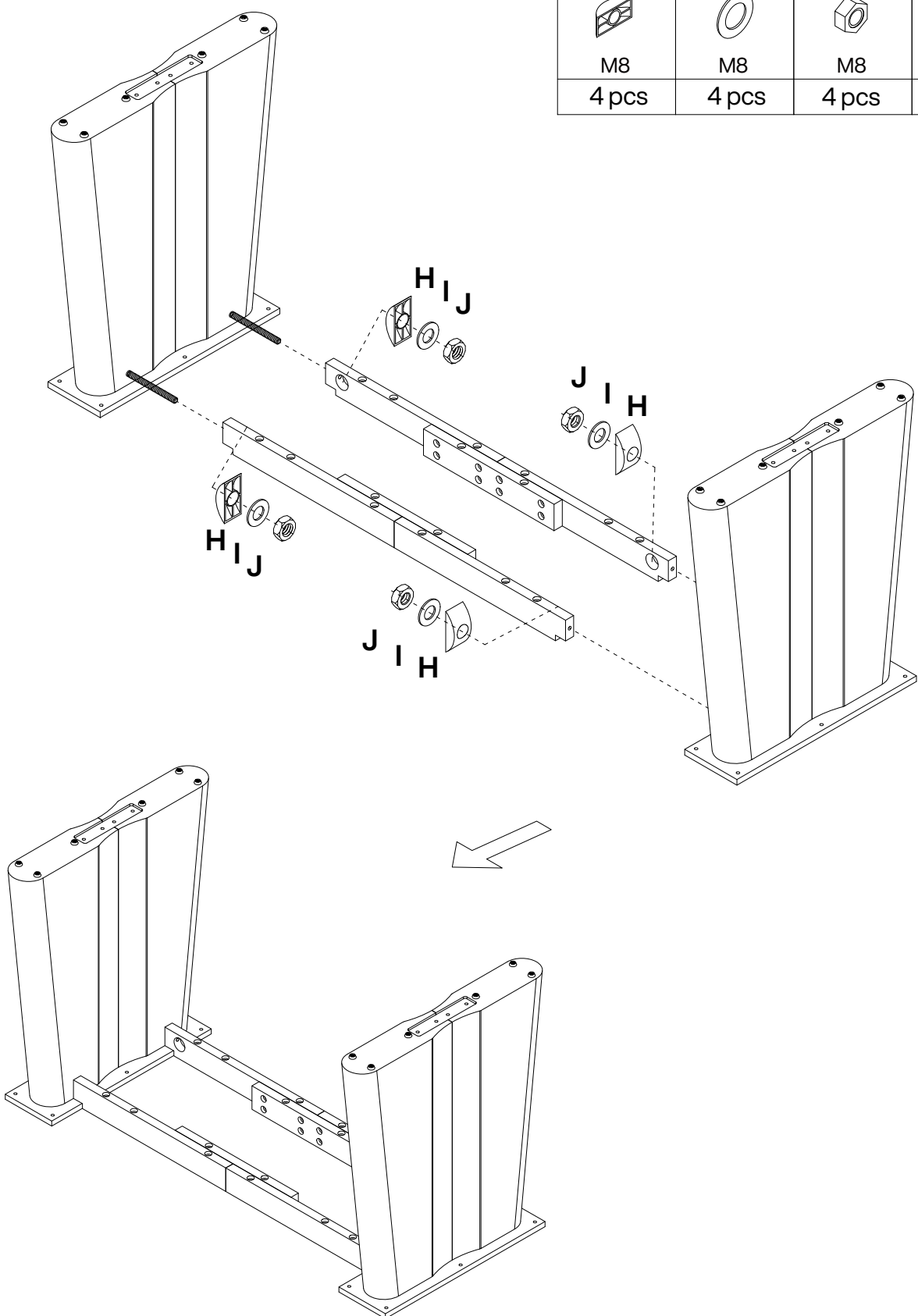
A	B	D
Ø 16	Ø 11	M6x35mm
16 pcs	16 pcs	16 pcs



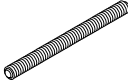
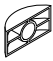


x2

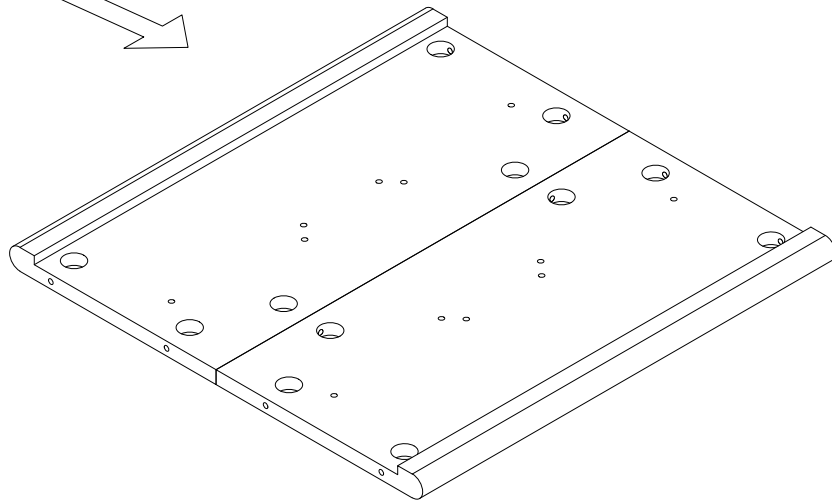
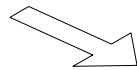
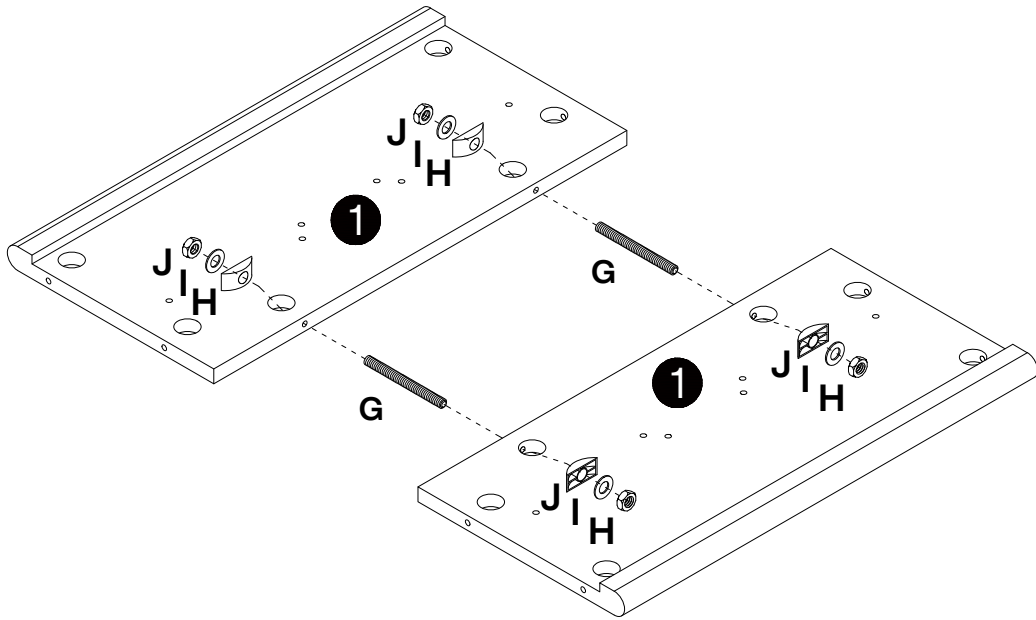
5

H	I	J	M
			
M8	M8	M8	M14
4 pcs	4 pcs	4 pcs	1 pc

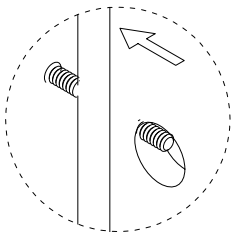


6

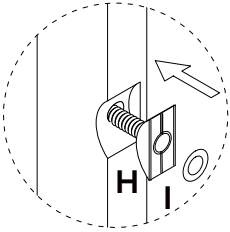
G	H	I	J
			
M8x100mm	M8	M8	M8
2 pcs	4 pcs	4 pcs	4 pcs



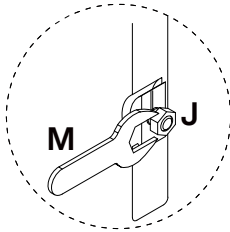
Step 1



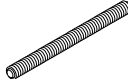



Step 2

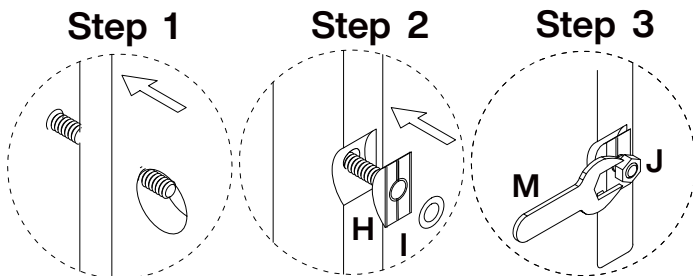
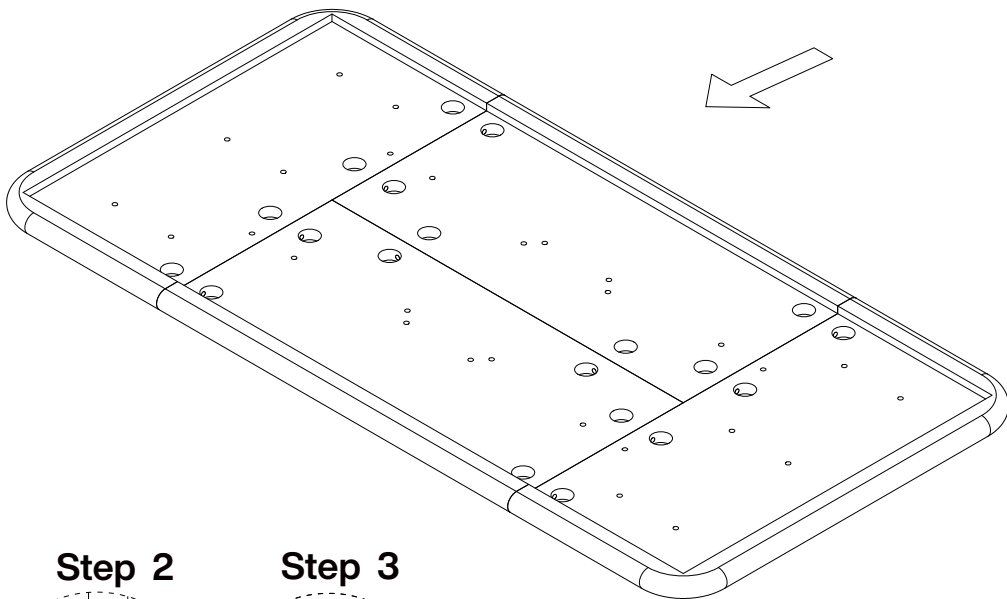
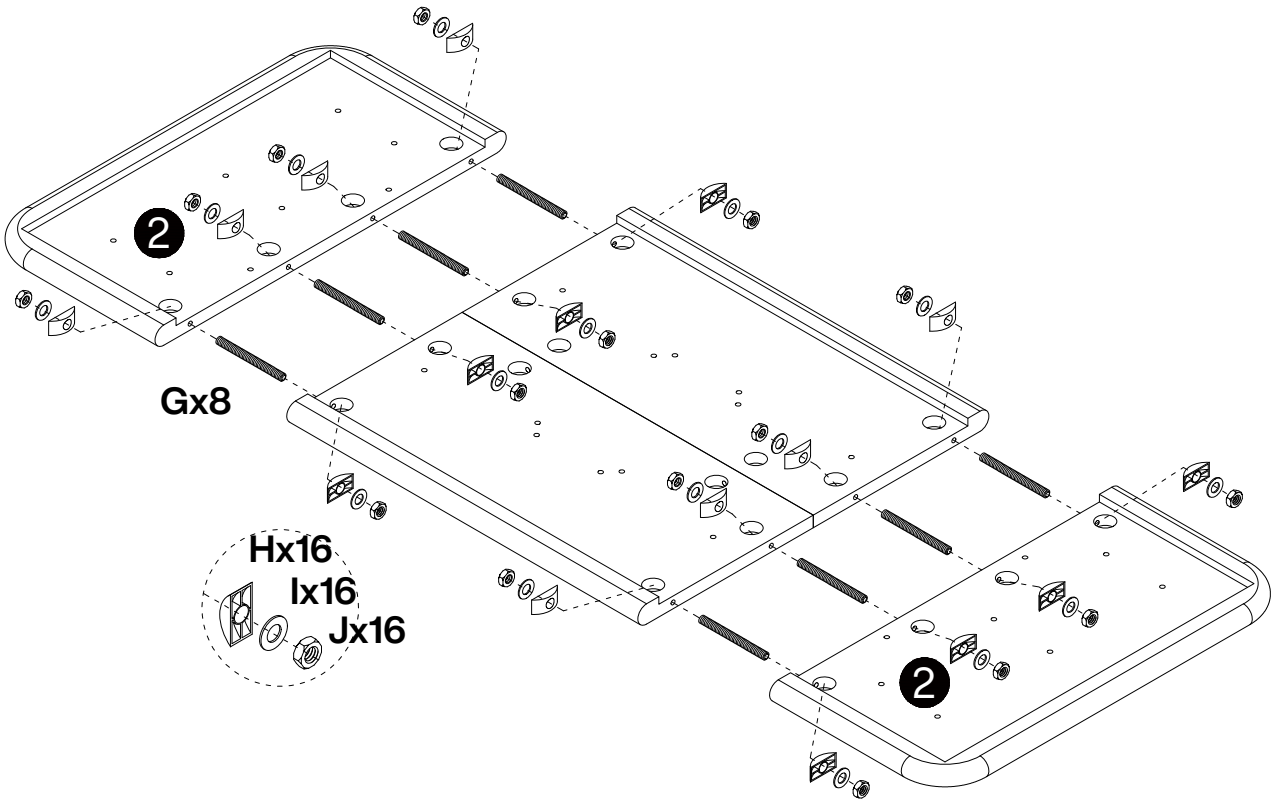


Step 3

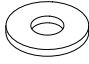




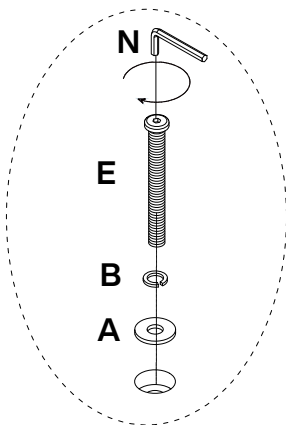
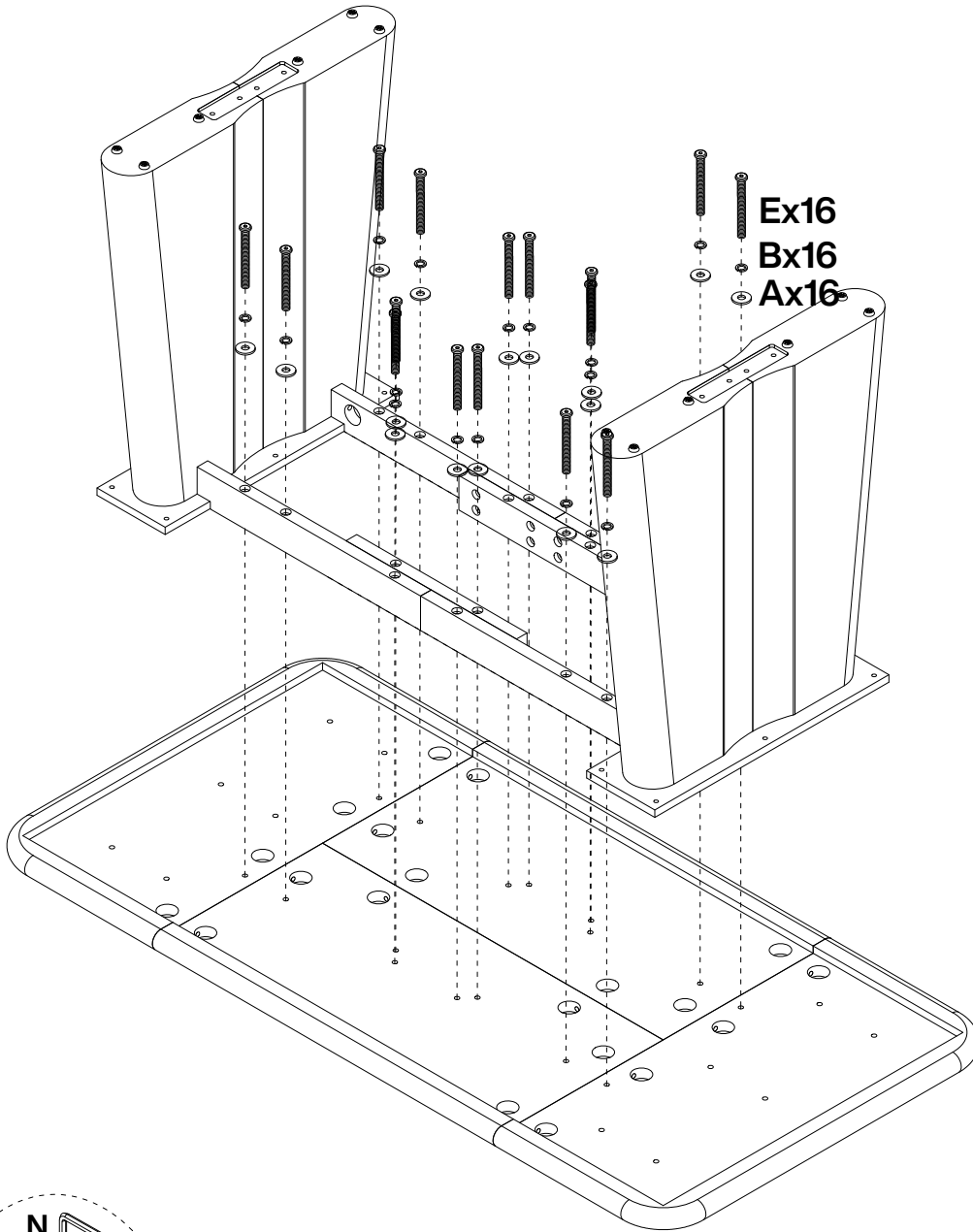
7

G	H	I	J
			
M8x100mm	M8	M8	M8
8 pcs	16 pcs	16 pcs	16 pcs




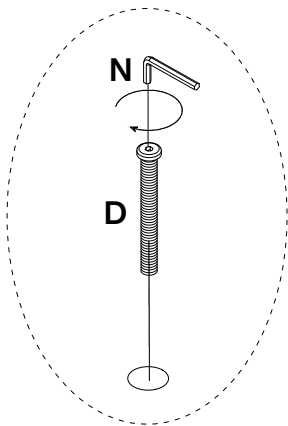
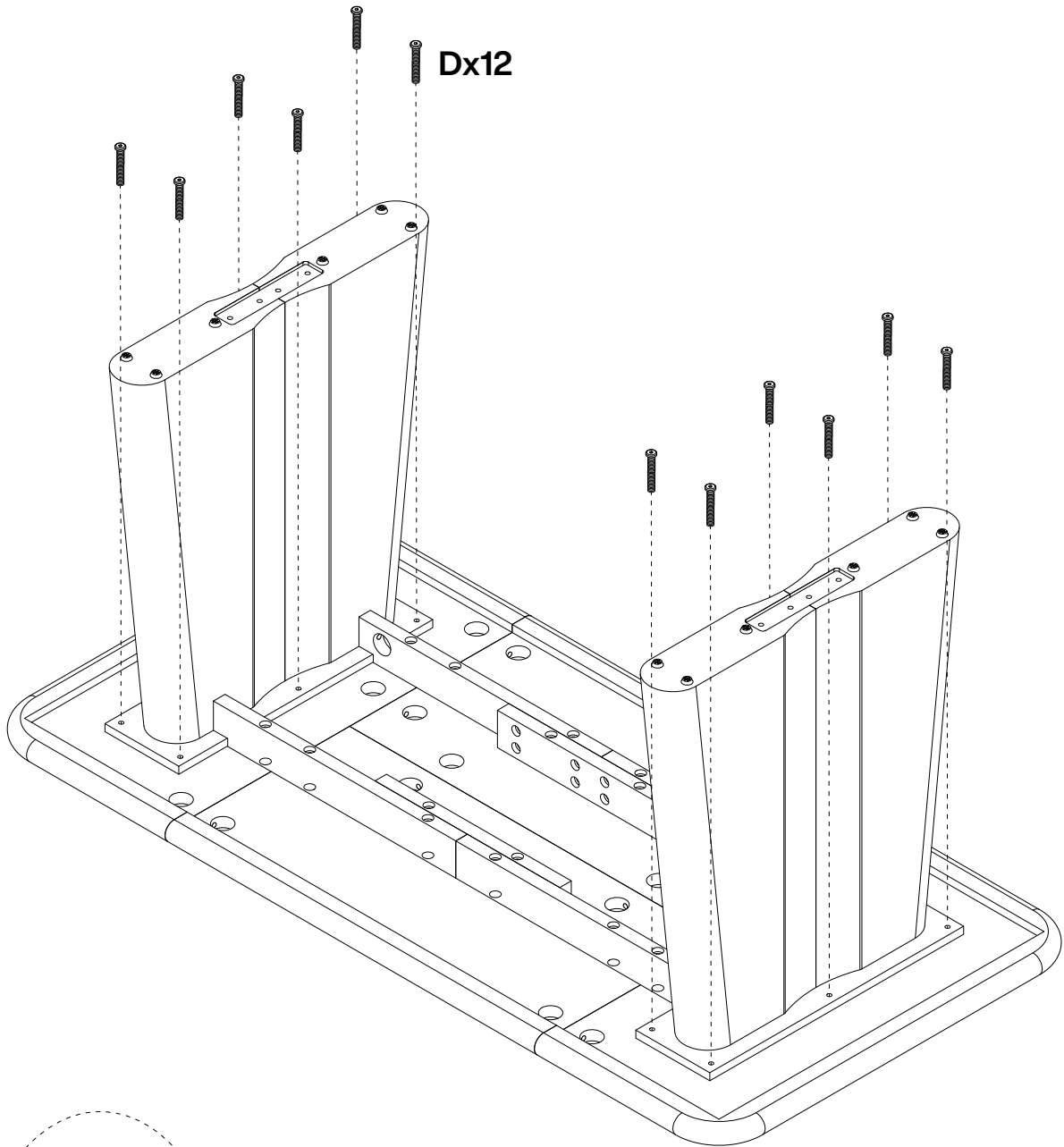
8

A	B	E
		
Ø 16	Ø 11	M6x75mm
16 pcs	16 pcs	16 pcs





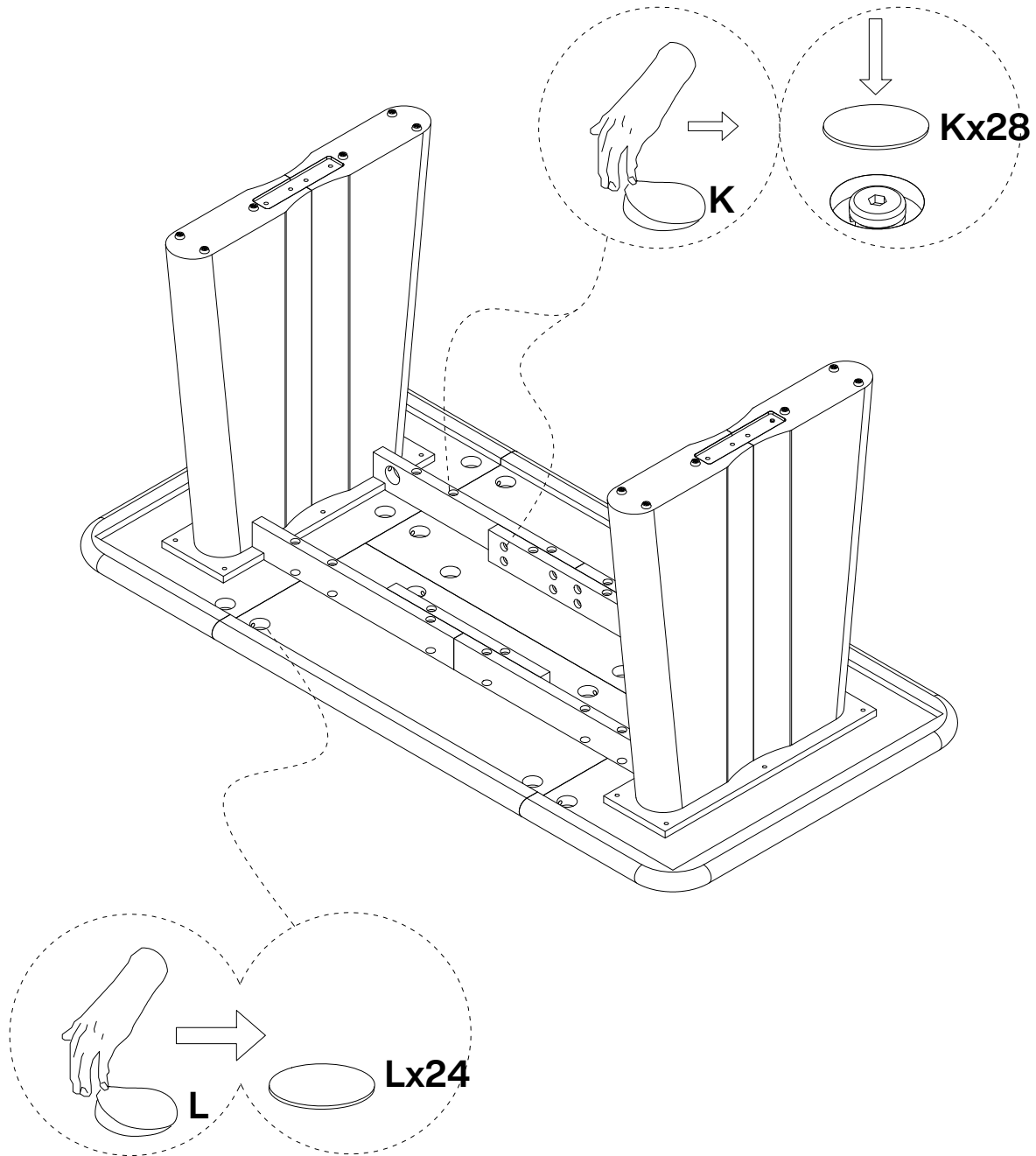
9

D

M6x35mm
12 pcs

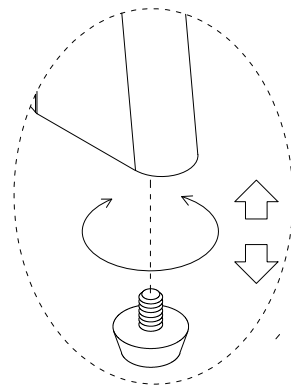
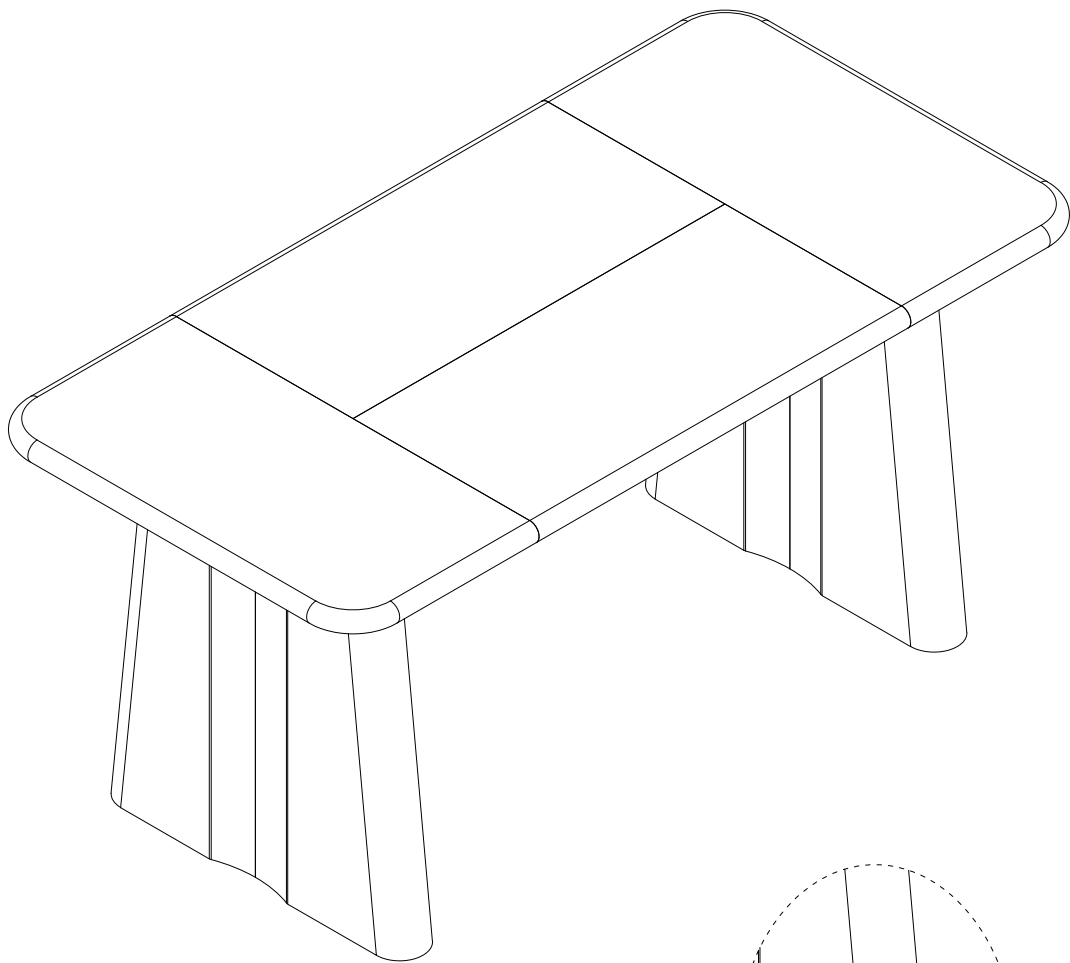


10

K	L
	
Ø20mm	Ø44mm
32 pcs	24 pcs



Thank you for your support!



When it is not level on the ground, please adjust here.