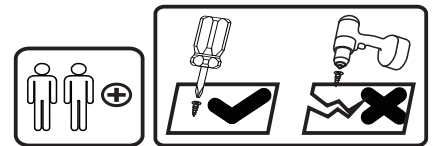
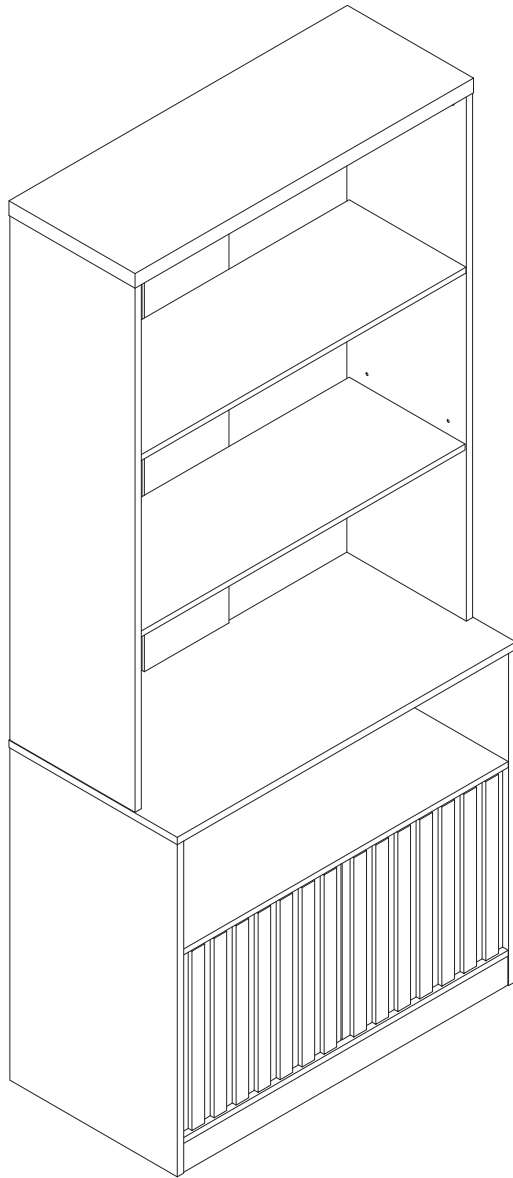


ASSEMBLY INSTRUCTIONS



Tools Recommended

THIS INSTRUCTIONS CONTAINS IMPORTANT SAFETY INFORMATION.
PLEASE READ BEFORE ASSEMBLY AND KEEP FOR FUTURE REFERENCE.

Need Parts or Assistance? Email us at support@homejoyee.com

IMPORTANT NOTICE

- This product contains small components, please ensure that they are kept away from small children.
- THIS INSTRUCTIONS CONTAINS IMPORTANT SAFETY INFORMATION. PLEASE READ BEFORE ASSEMBLY AND KEEP FOR FUTURE REFERENCE.
- Read each step carefully. It is very important that each step of instruction is performed in the correct order. If these steps are not followed in sequence, assembly difficulties will occur.
- Make sure all parts are included. Most parts are labelled or stamped on the raw edge.
- Work in spacious area, preferably on a carpet, near the place the unit will be used.
- Do not use power tools to assemble your furniture. Power tools may strip or damage the parts.
- Move your new furniture carefully, with two people lift and carry the unit to it's new location.
- Never push, drag or pull your furniture (especially on carpet)



PLEASE DO NOT RETURN PRODUCT TO US IMMEDIATELY

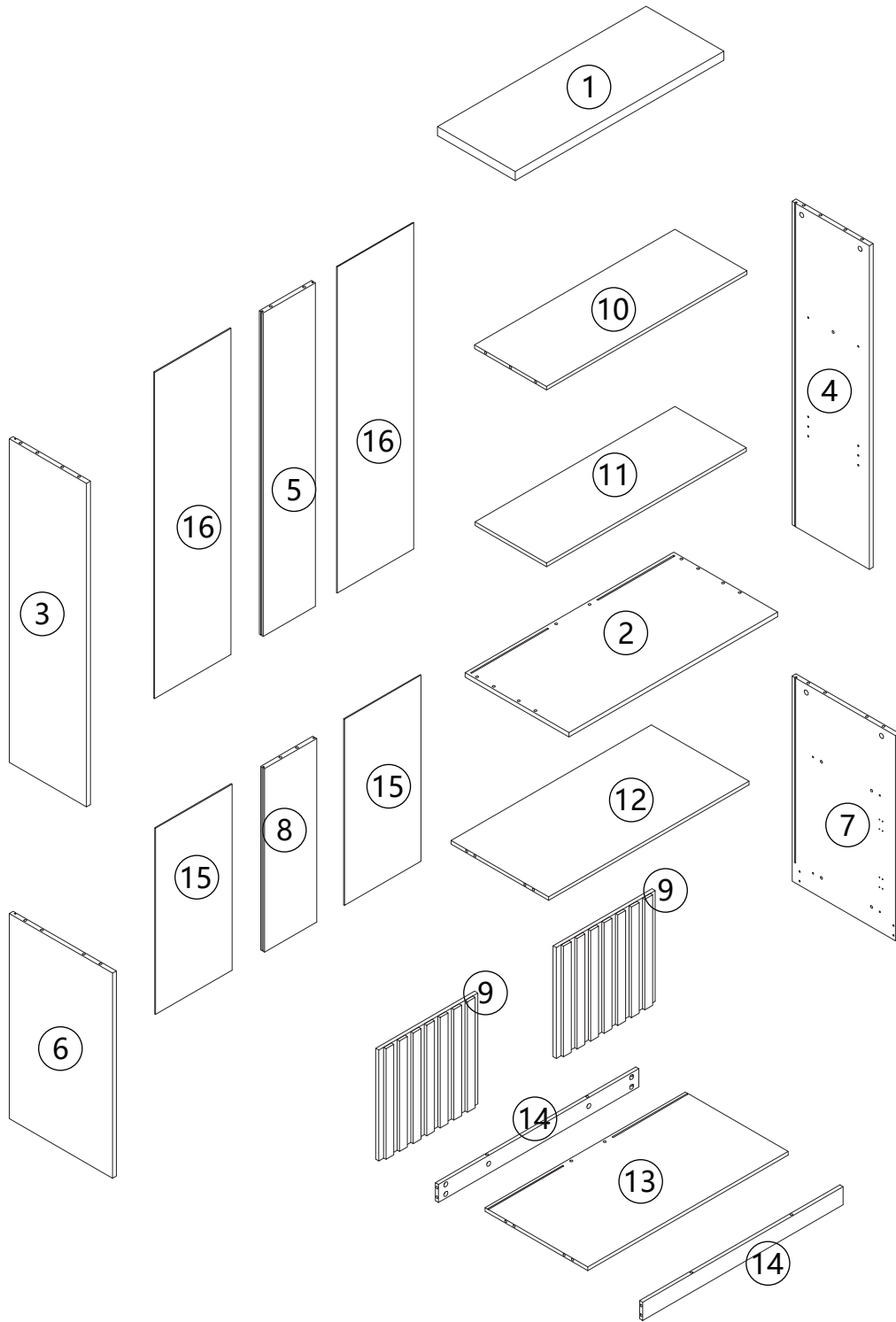
If a part is missing or damaged, email our customer service. We will gladly ship your replacement parts FREE of charge.

Need Parts or Assistance? Email us at [**support@homejoyee.com**](mailto:support@homejoyee.com)



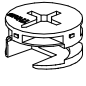

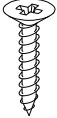
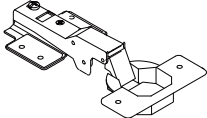

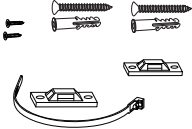
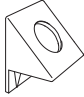

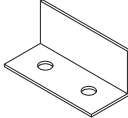
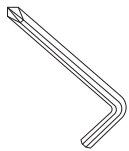
For Prompt, reliable service, please have your assemble instruction ready.

 WARNING	
	<p>Children have died from furniture tipover. To reduce the risk of furniture tipover:</p> <ul style="list-style-type: none">• ALWAYS install tipover restraint provided.• NEVER put a TV on this product.• NEVER allow children to stand, climb or hang on drawers, doors, or shelves.• NEVER open more than one drawer at a time.• Place heaviest items in the lowest drawers.
	


EXPLODED DRAWING

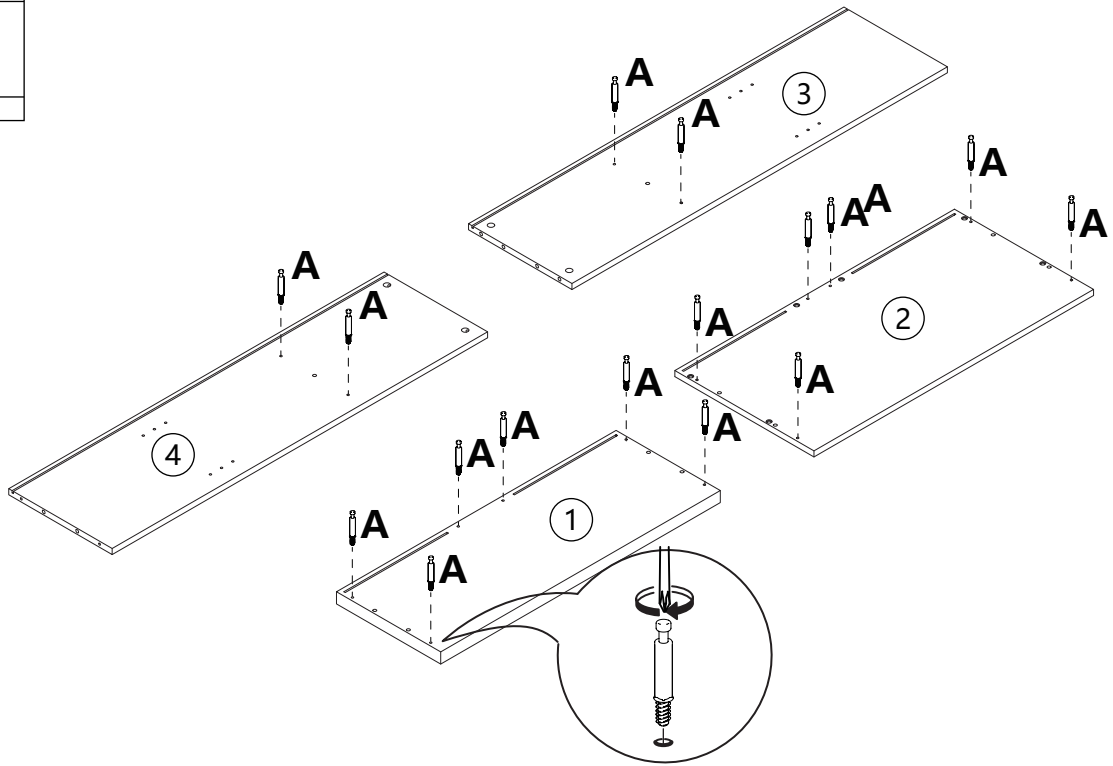


ACCESSORIES LIST



A	X 36	B	X 12	C	X 24	D	X 22
							
M6*35		∅15*12		∅15*10		M8*40	
E	X 42	F	X 4	G	X 4	H	X 2
							
M3*12				M4*40			
I	X 16	J	X 8	K	X 1		X 1
							

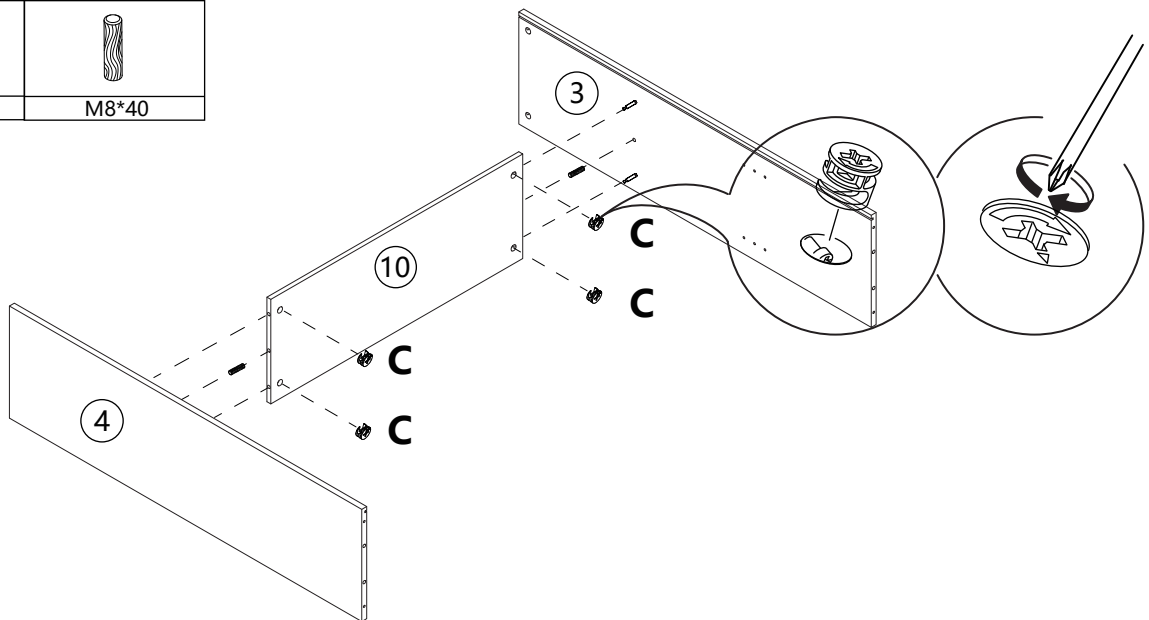
STEP1

A	X 16
	
M6*35	





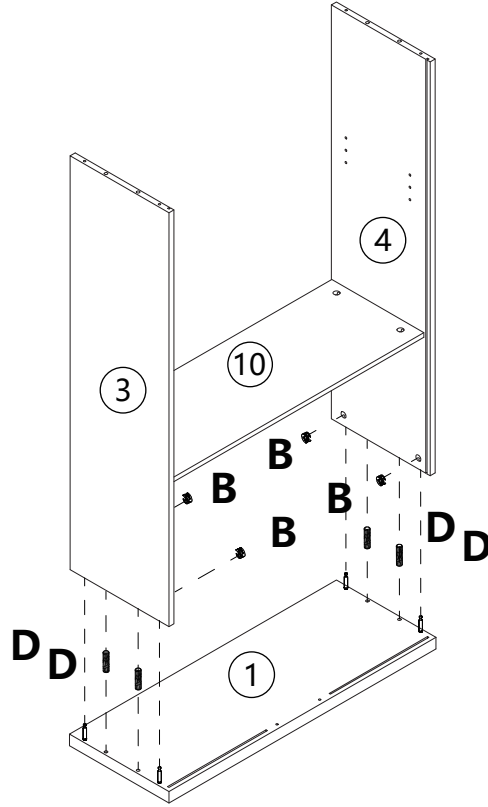
STEP2

C	X 4	D	X 2
			
Φ15*10		M8*40	




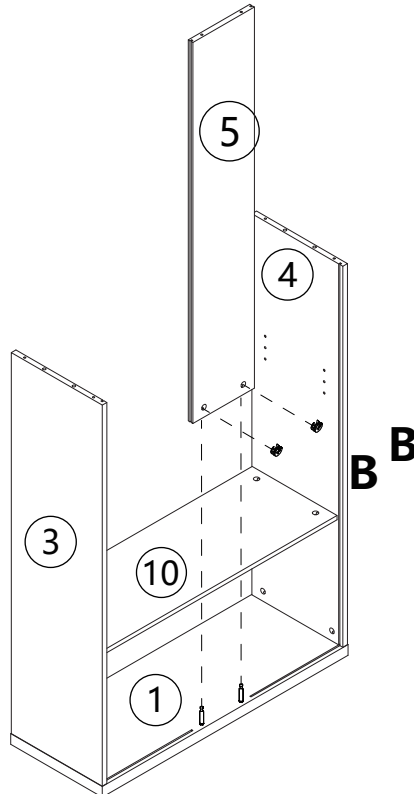
STEP3

B	X 4	D	X 4
			
φ15*12		M8*40	

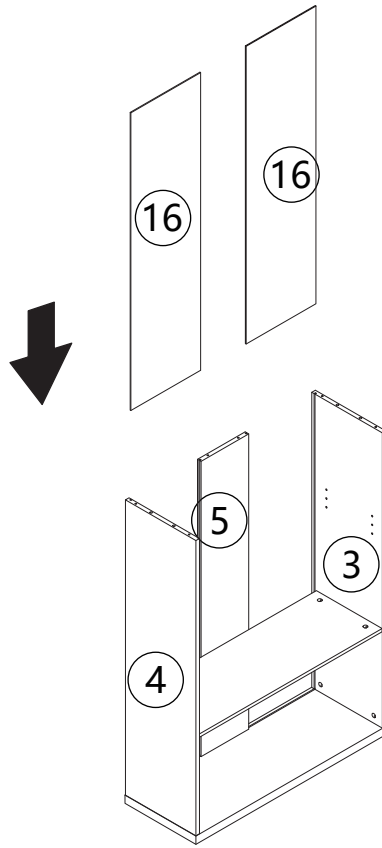


STEP4



B	X 2
	
φ15*12	

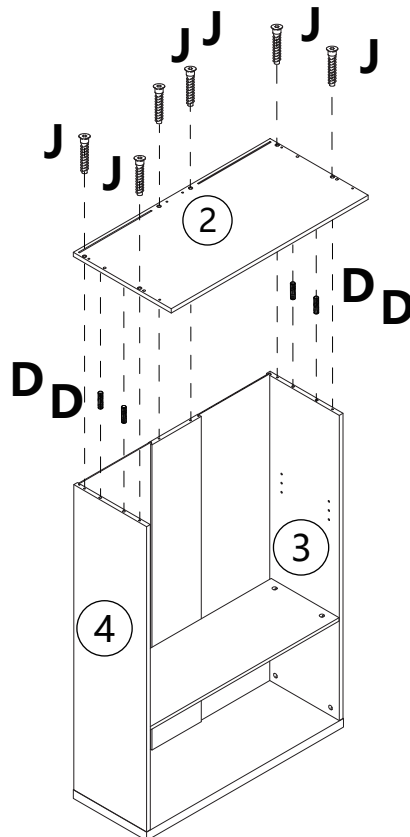


STEP5



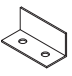


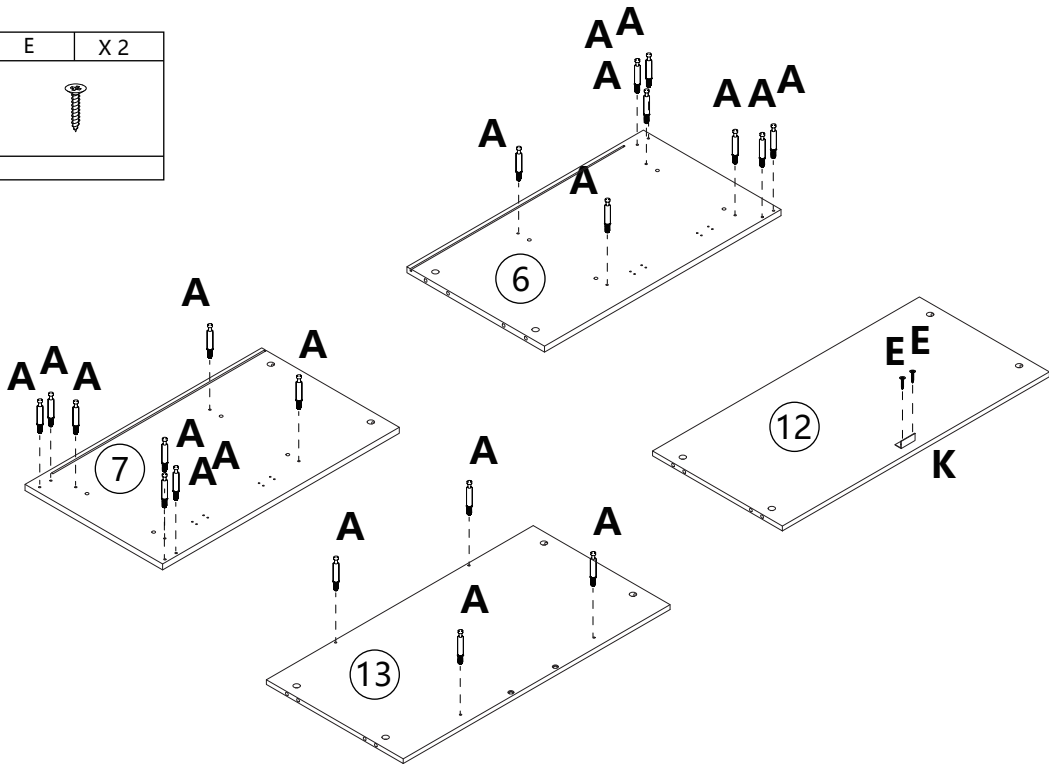
STEP6

D	X 4	J	X 6
			
M8*40			





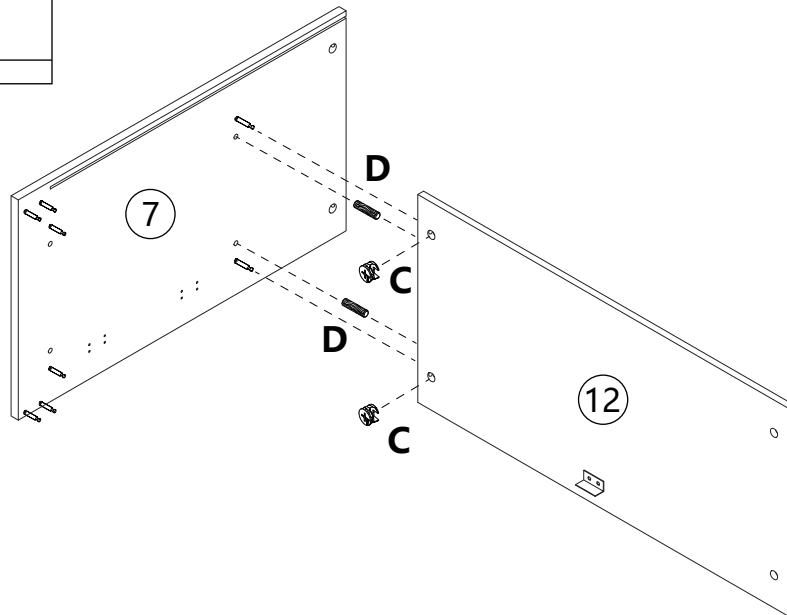
STEP7

A	X 20	E	X 2
			
M6*35			
K	X 1		
			




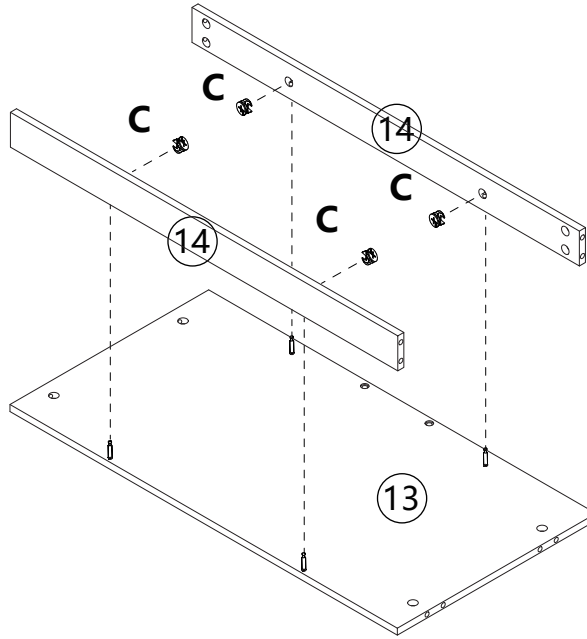
STEP8

C	X 2	D	X 2
			
φ15*10		M8*40	





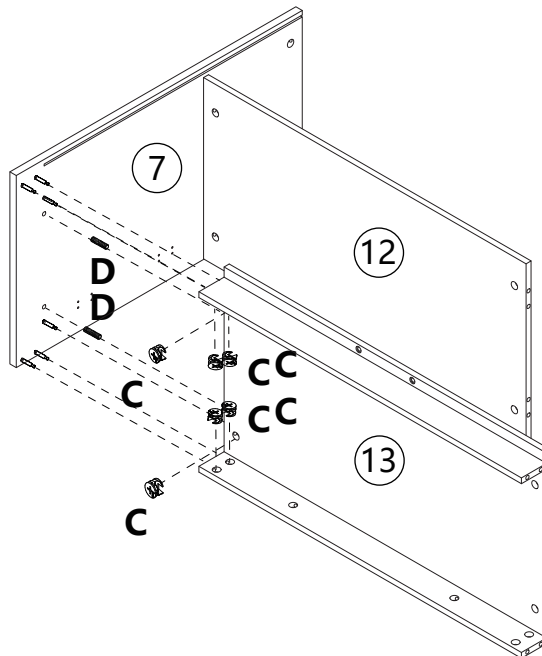
STEP9

C	X 4
	
$\phi 15*10$	





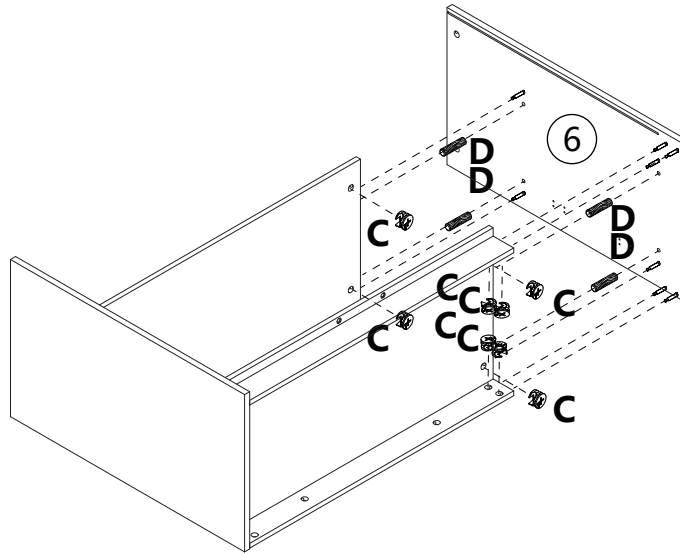
STEP10

C	X 6	D	X 2
			
$\phi 15*10$		M8*40	




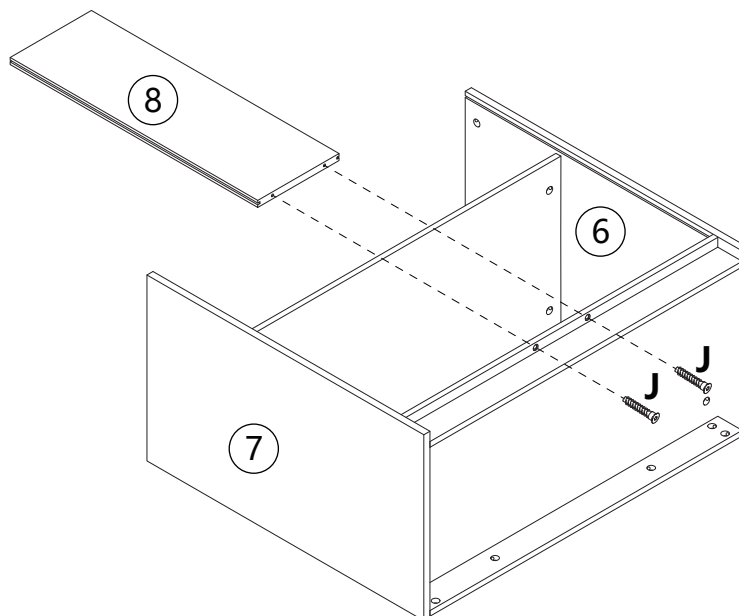
STEP11

C	X 8	D	X 4
			
$\phi 15*10$		M8*40	

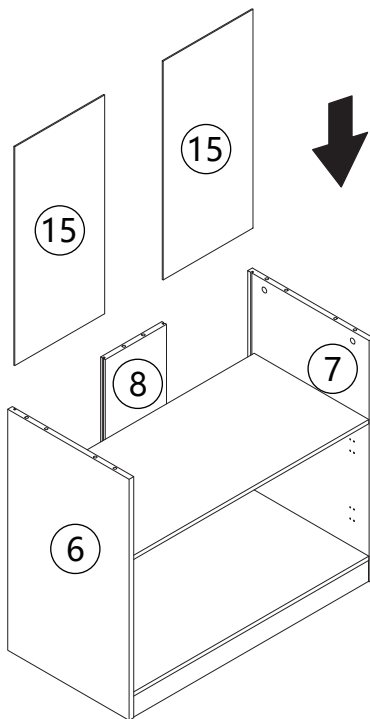


STEP12



J	X 2
	

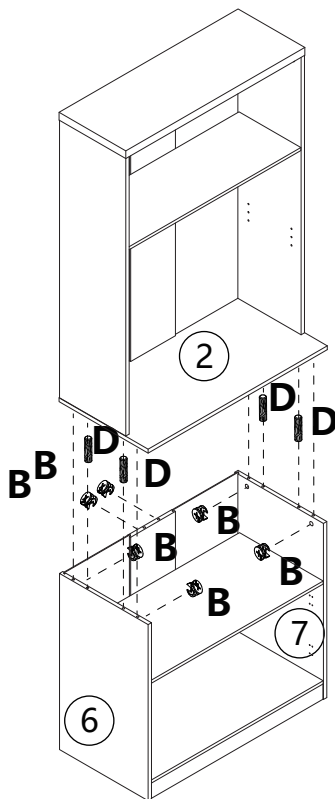


STEP13


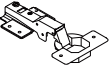


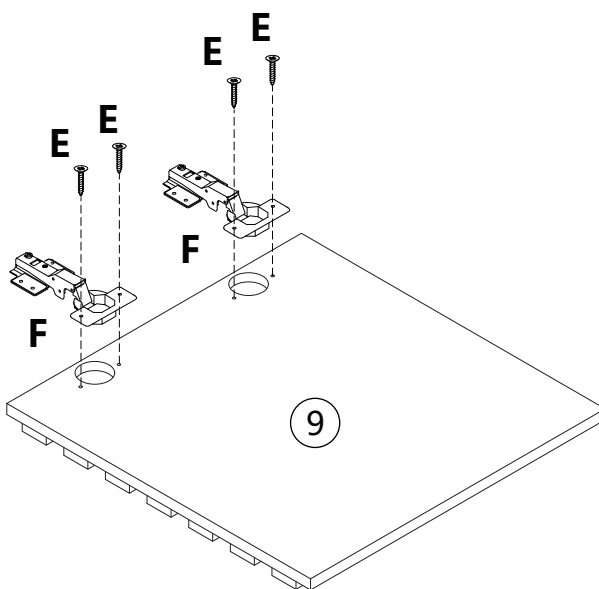
STEP14

B	X 6	D	X 4
			
$\phi 15*12$		M8*40	




STEP15

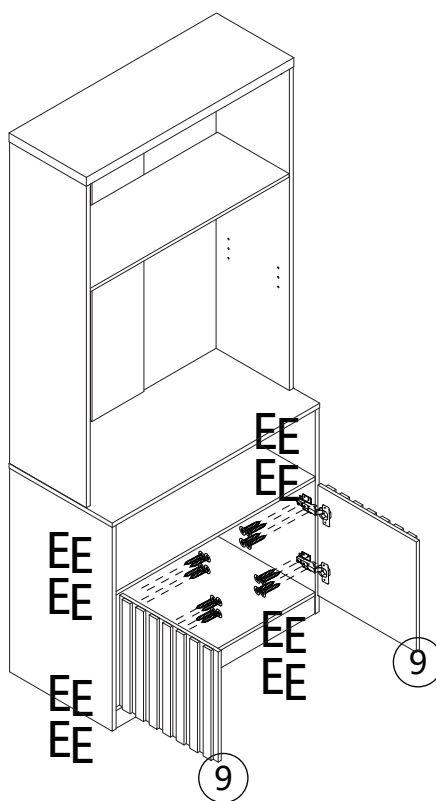
E	X 8	F	X 4
			
M3*12			




X2

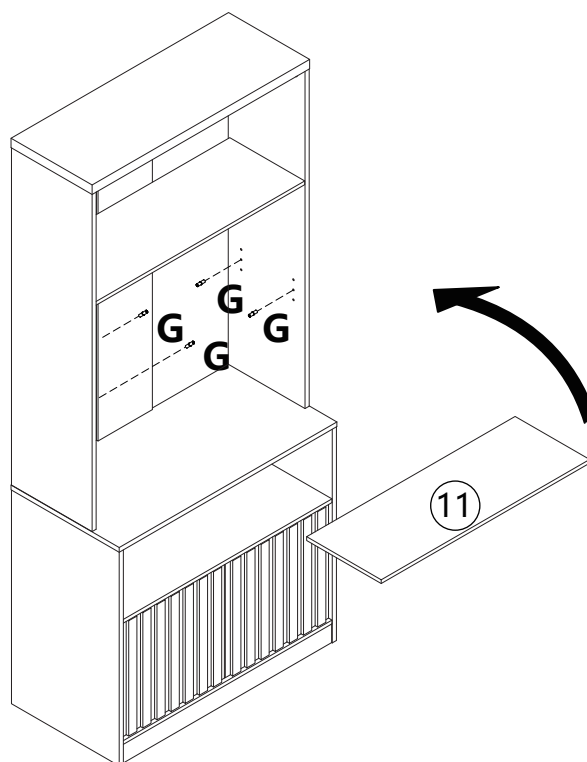
STEP16

E	X 16
	
M3*12	





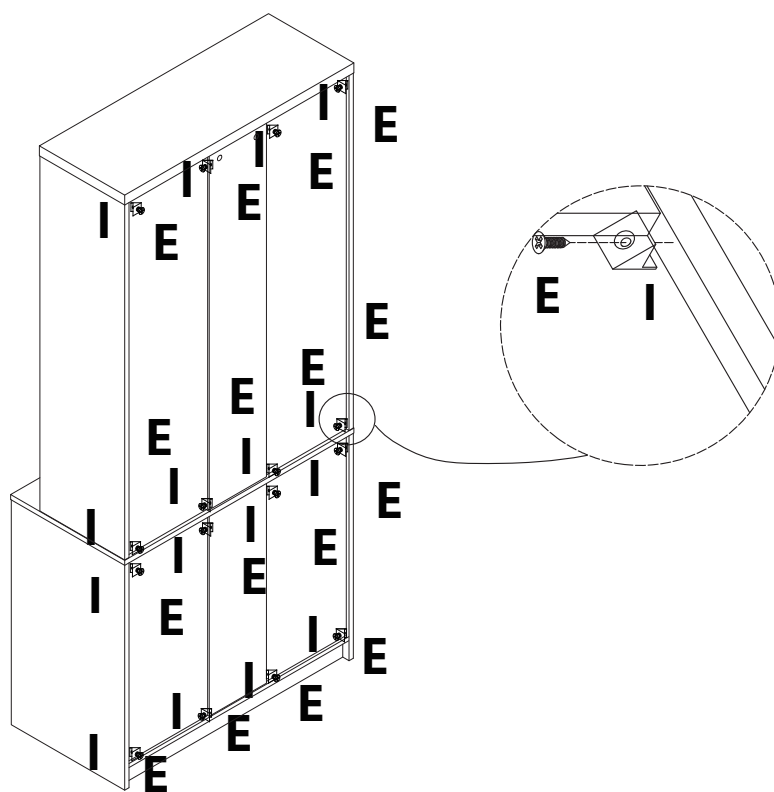
STEP17

G	X 4
	

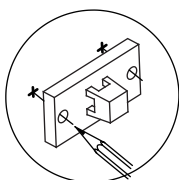
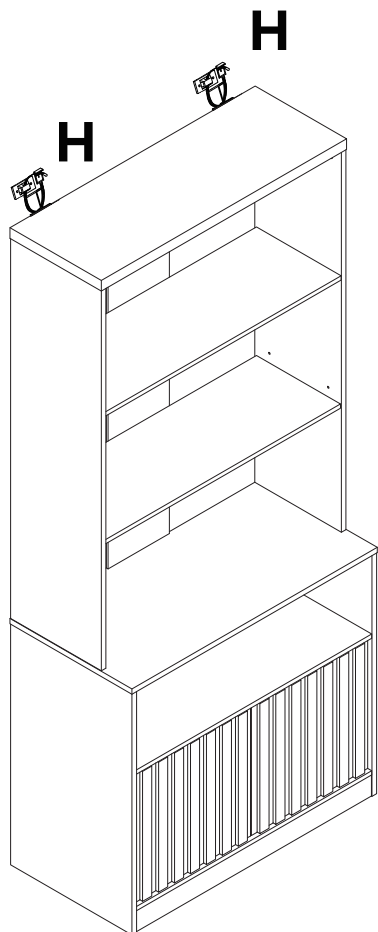
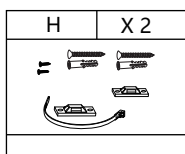


STEP18

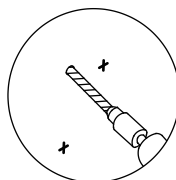
E	X 16	I	X 16
			
M3*14			



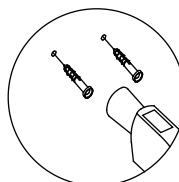
STEP 19



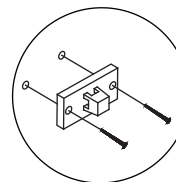
1, Mark on the wall



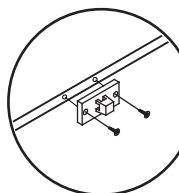
2, Make holes in the wall



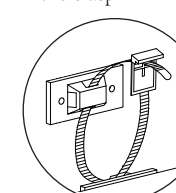
3, Push in the plastic plug



4, Insert long screws into the wall to fix the clasp



5, Secure the clasp with short screws at the top of the back leg



6, Push the plastic tie through the holes in the two clasps and tighten it.