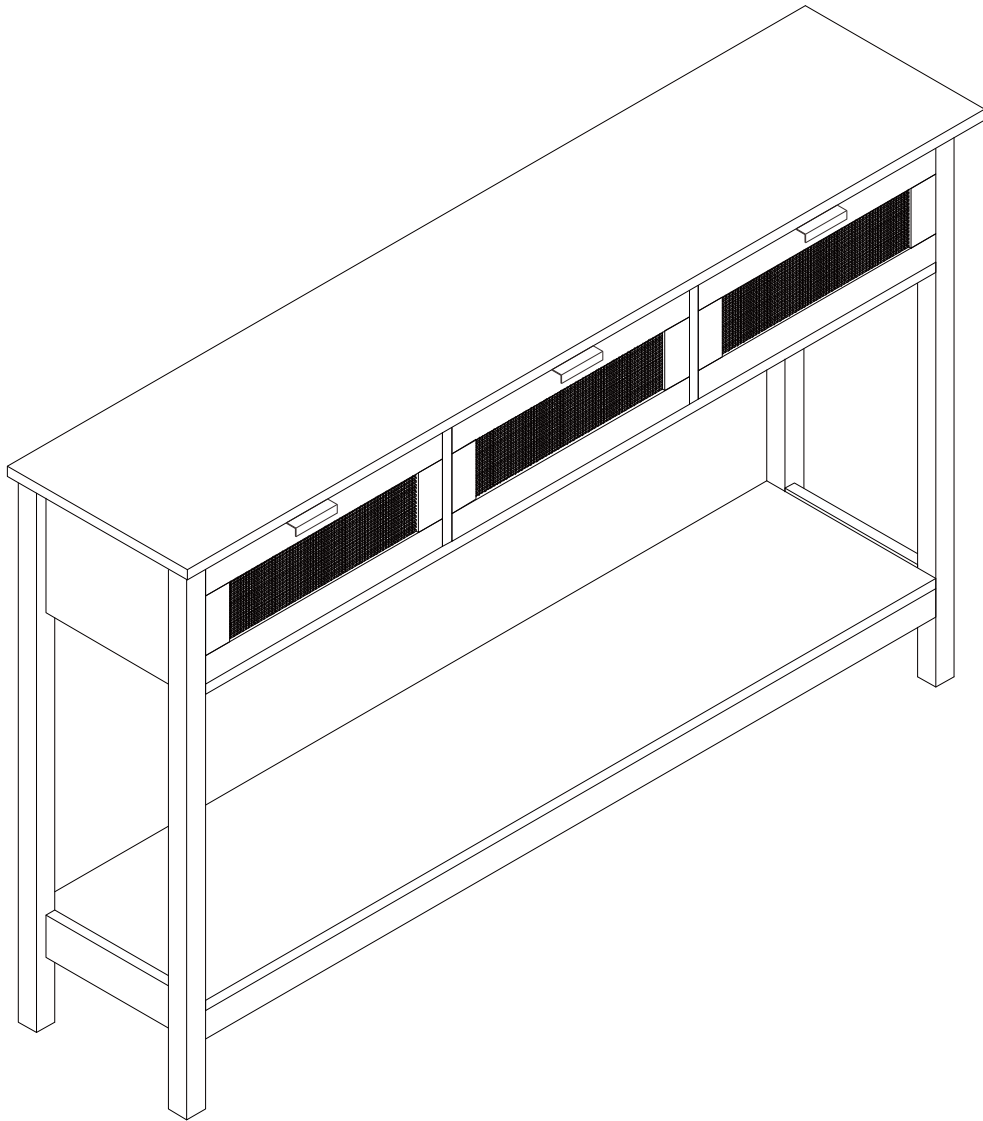
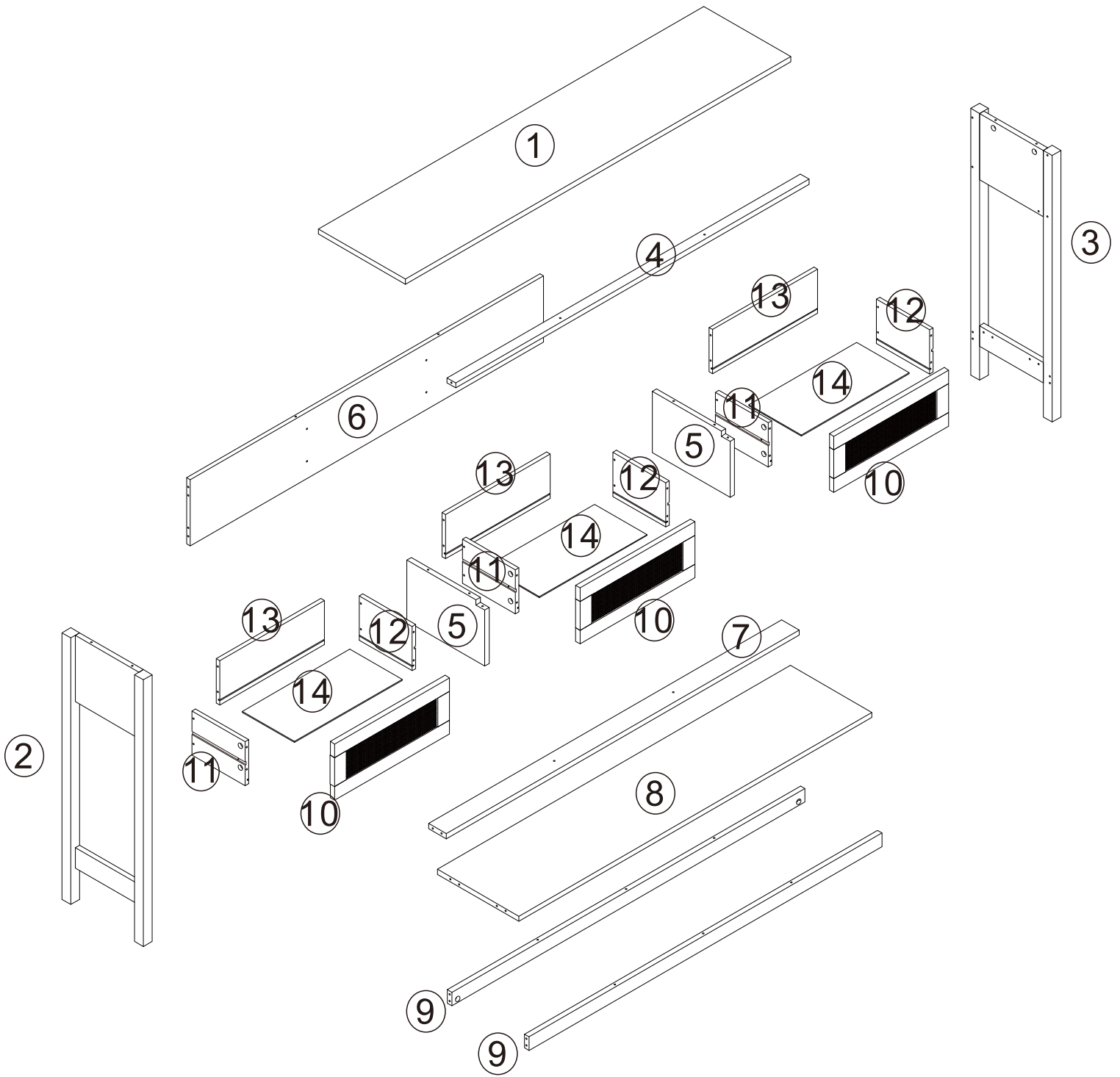
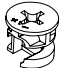
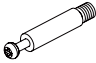
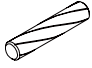


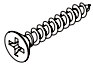
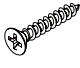
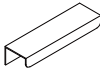
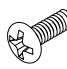




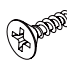


INSTRUCTION MANUAL



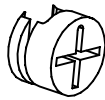
Thank you for purchasing our product. Please contact us and Leave order number if you have difficulty with installing or need replacement parts. Customer service is here to assist you all the time.



| | | | | |
|---|---|---|---|---|
|  |  |  |  |  |
| A x40 | B x40 | Cx8 | D x12 | E x6 |
|  |  |  |  |  |
| F x16 | G x12 | H x3 | Ix6 | Jx2 |
|  |  |  |  | |
| K x2 | Lx4 | M x2 | N x6 | |

How to use furniture connector cam lock screw and fitting?

Eccentric wheel(A)

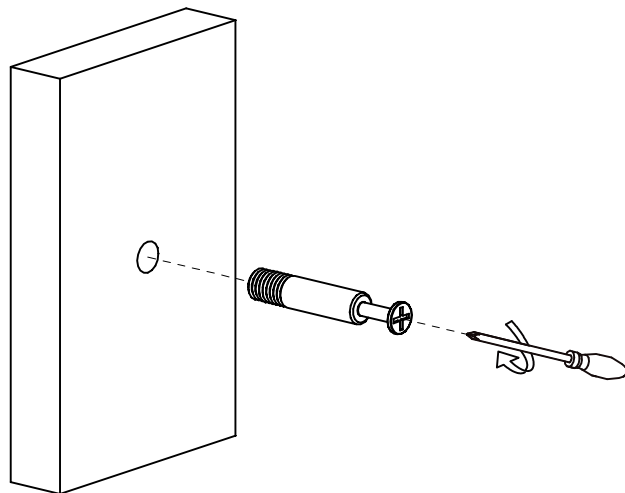


Dowel(B)



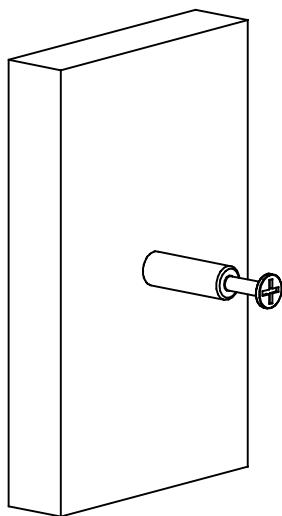
1

Use screwdriver to attach
dowel into pre-inserted nut



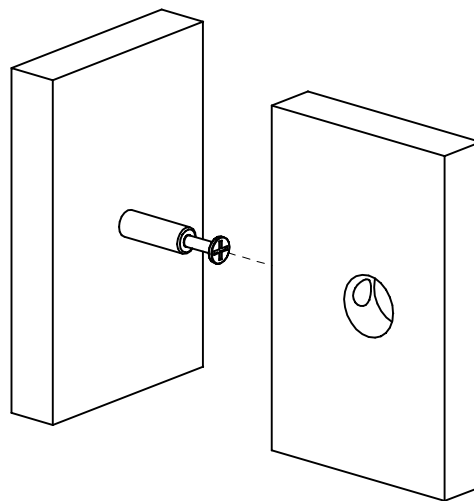
2

Step 1 completed



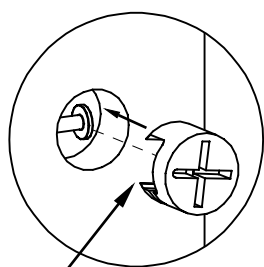
3

Attach dowel into hole on fitting board

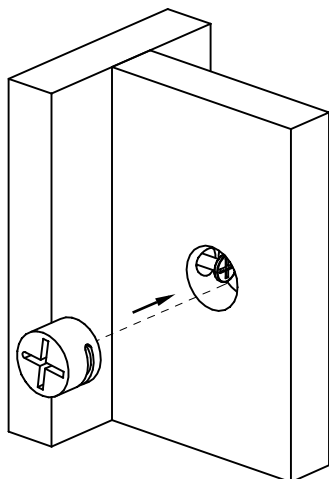


4

Put eccentric wheel (cam lock fitting) into hole

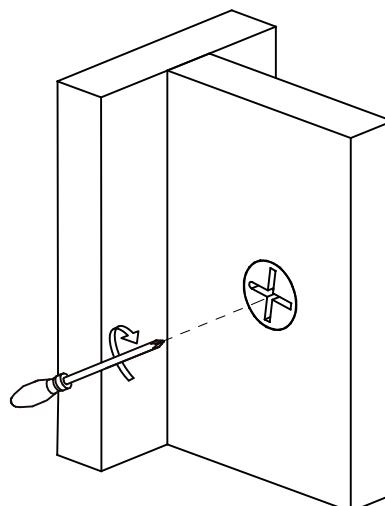


U-shaped cut align to dowel

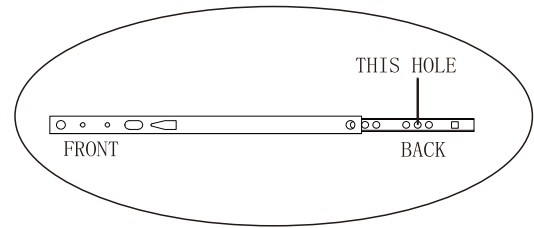
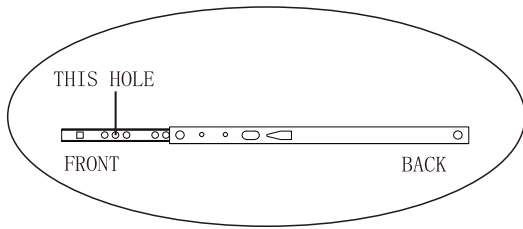
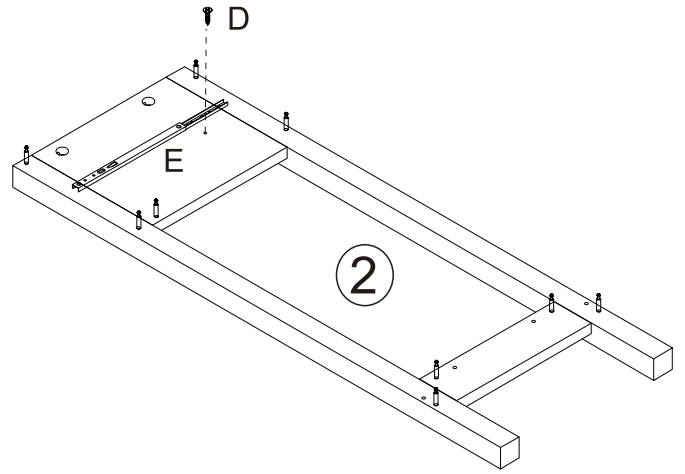
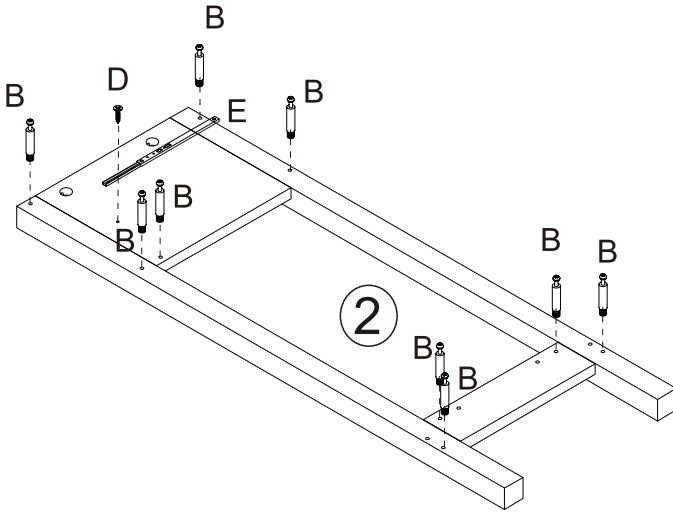


5

Tighten: Turn the eccentric wheel clockwise
Loosen: Turn it anticlockwise



Step 1



Bx9

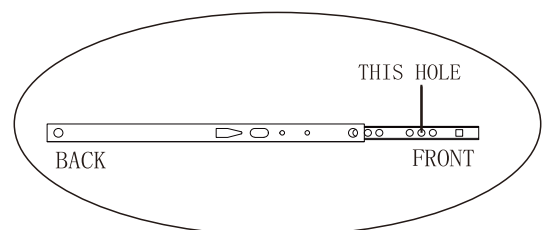
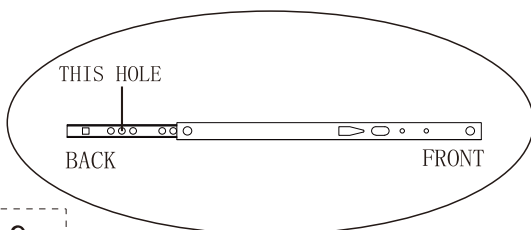
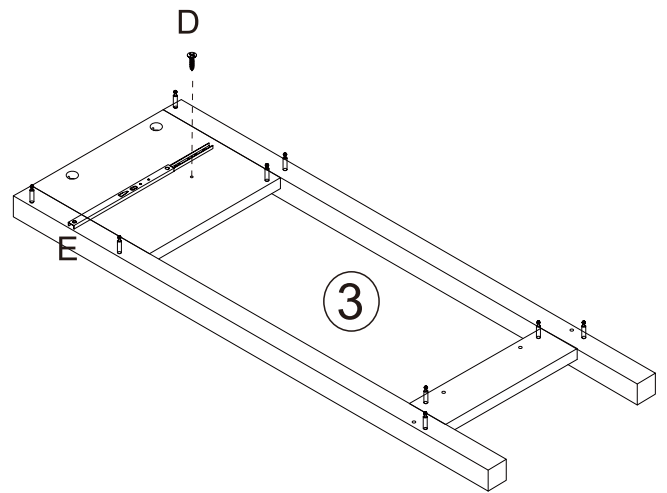
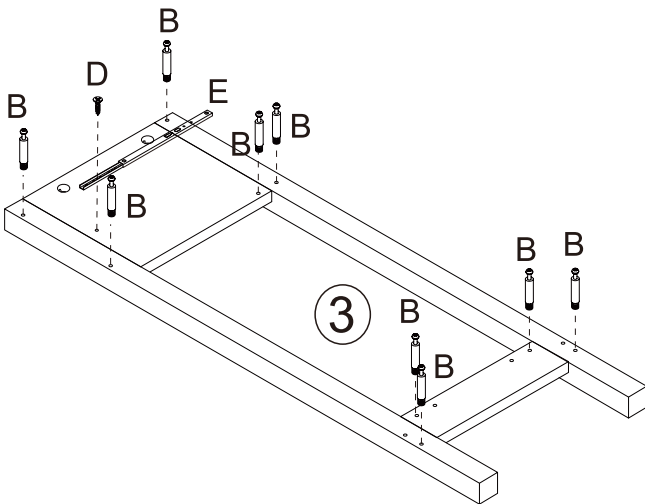


Dx2



Ex1

Step 2



Bx9



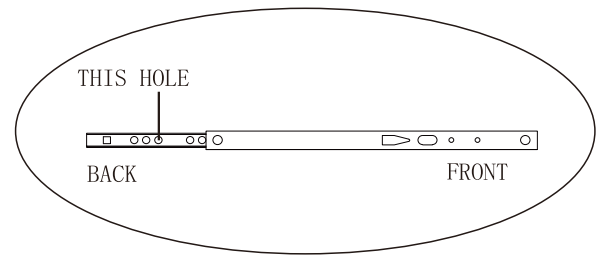
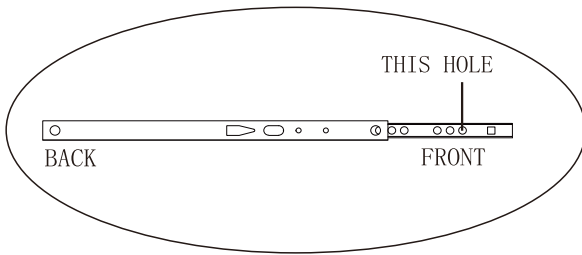
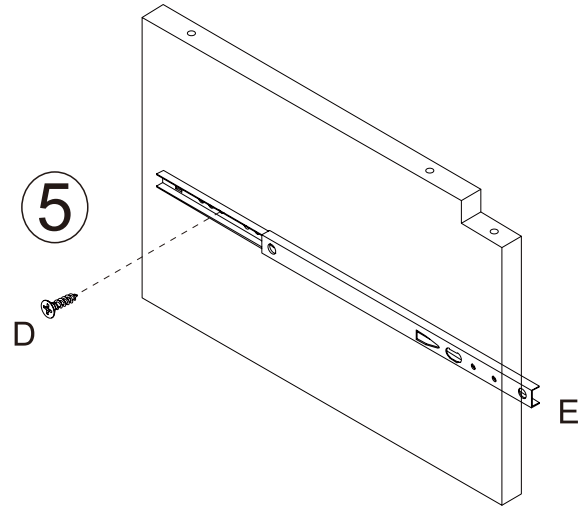
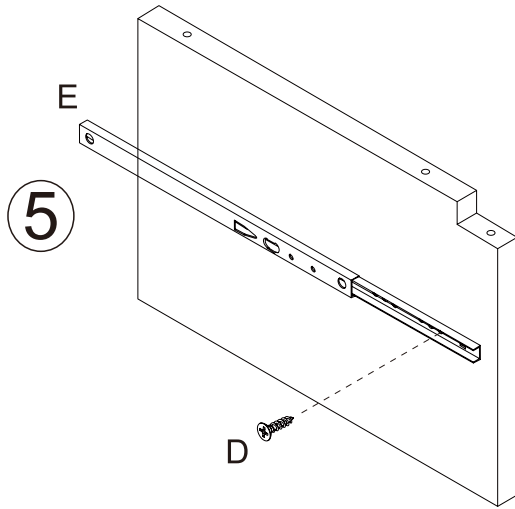
Dx2





Ex1

Step 3

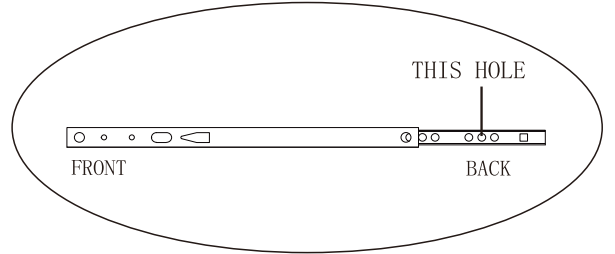
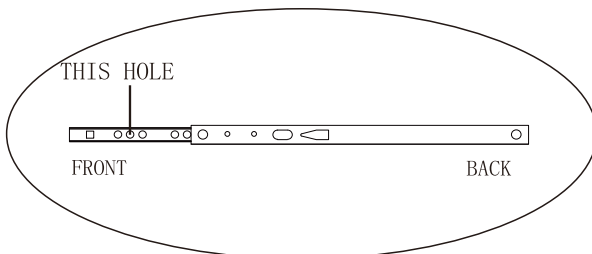
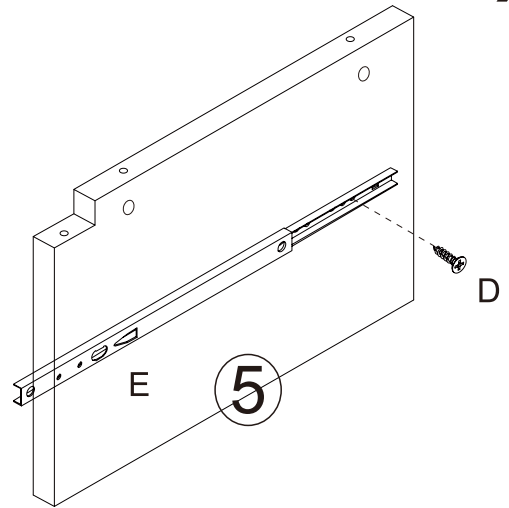
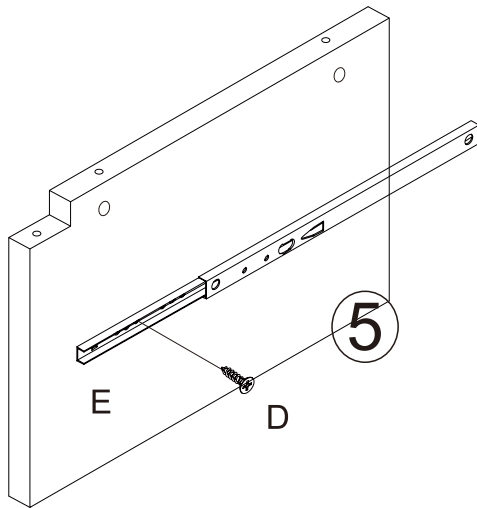
x2





| | |
|--|-----|
|  | Dx4 |
|  | Ex2 |

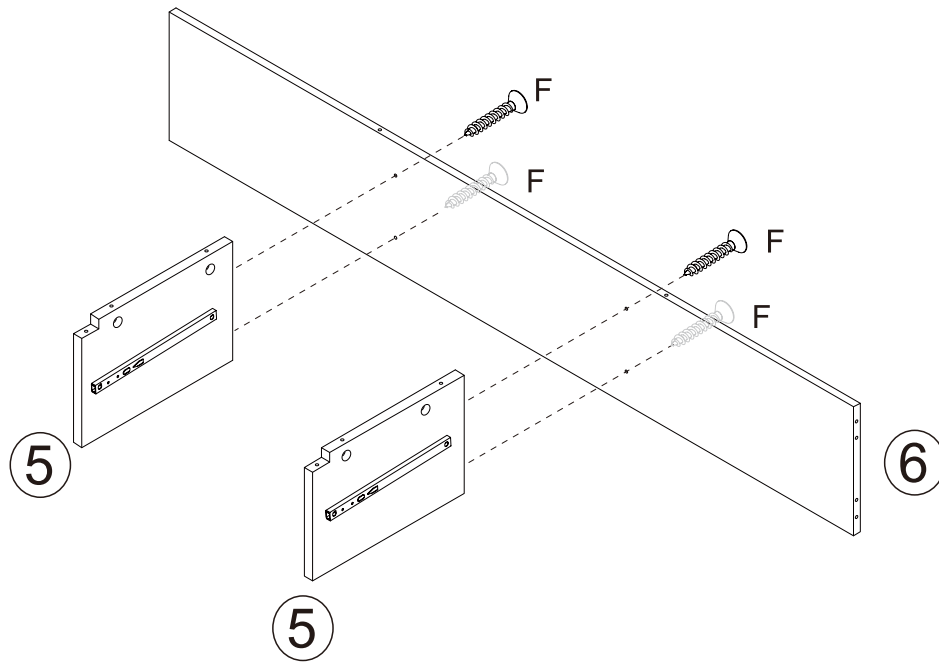
Step 4

x2



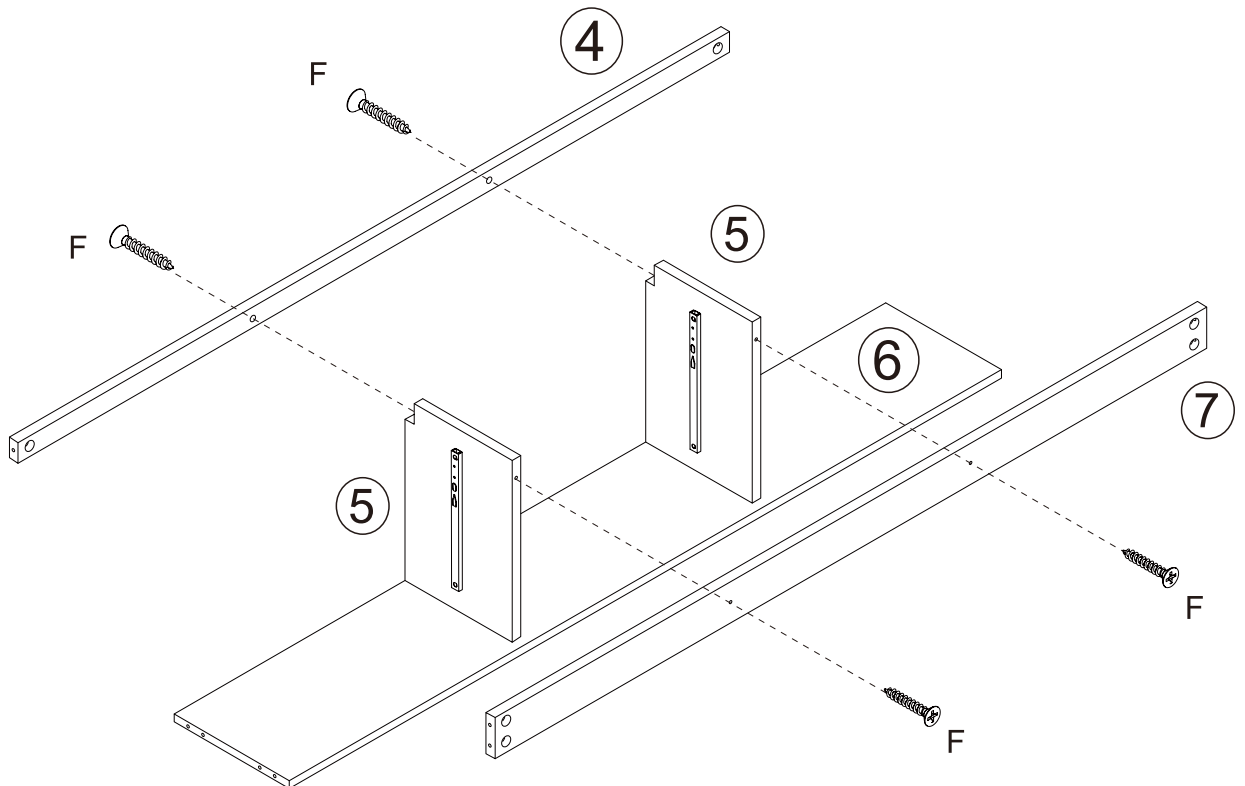
| | |
|--|-----|
|  | Dx4 |
|  | Ex2 |

Step 5



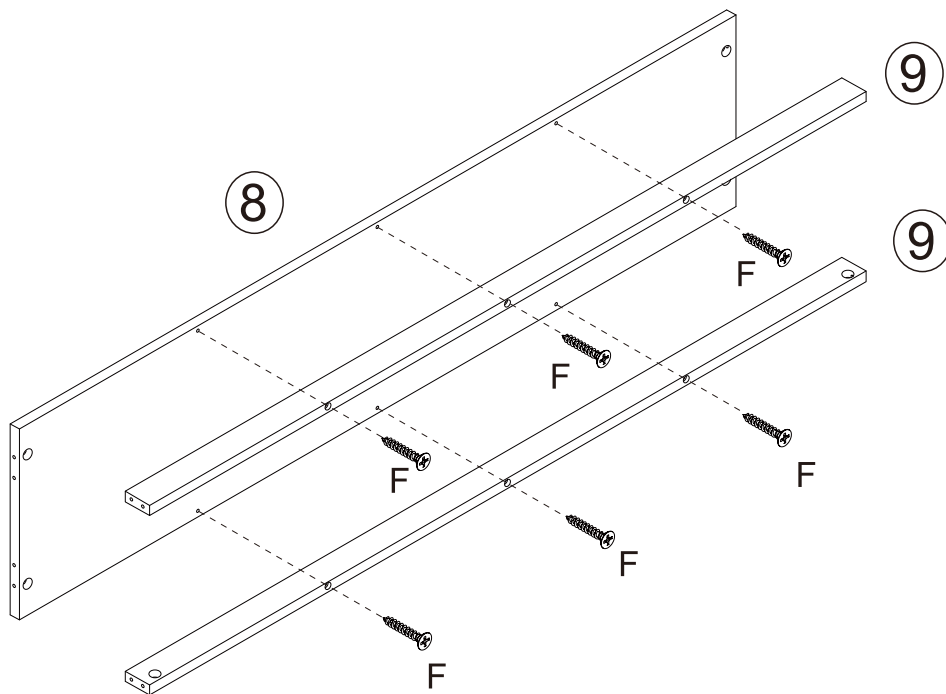
Fx4

Step 6



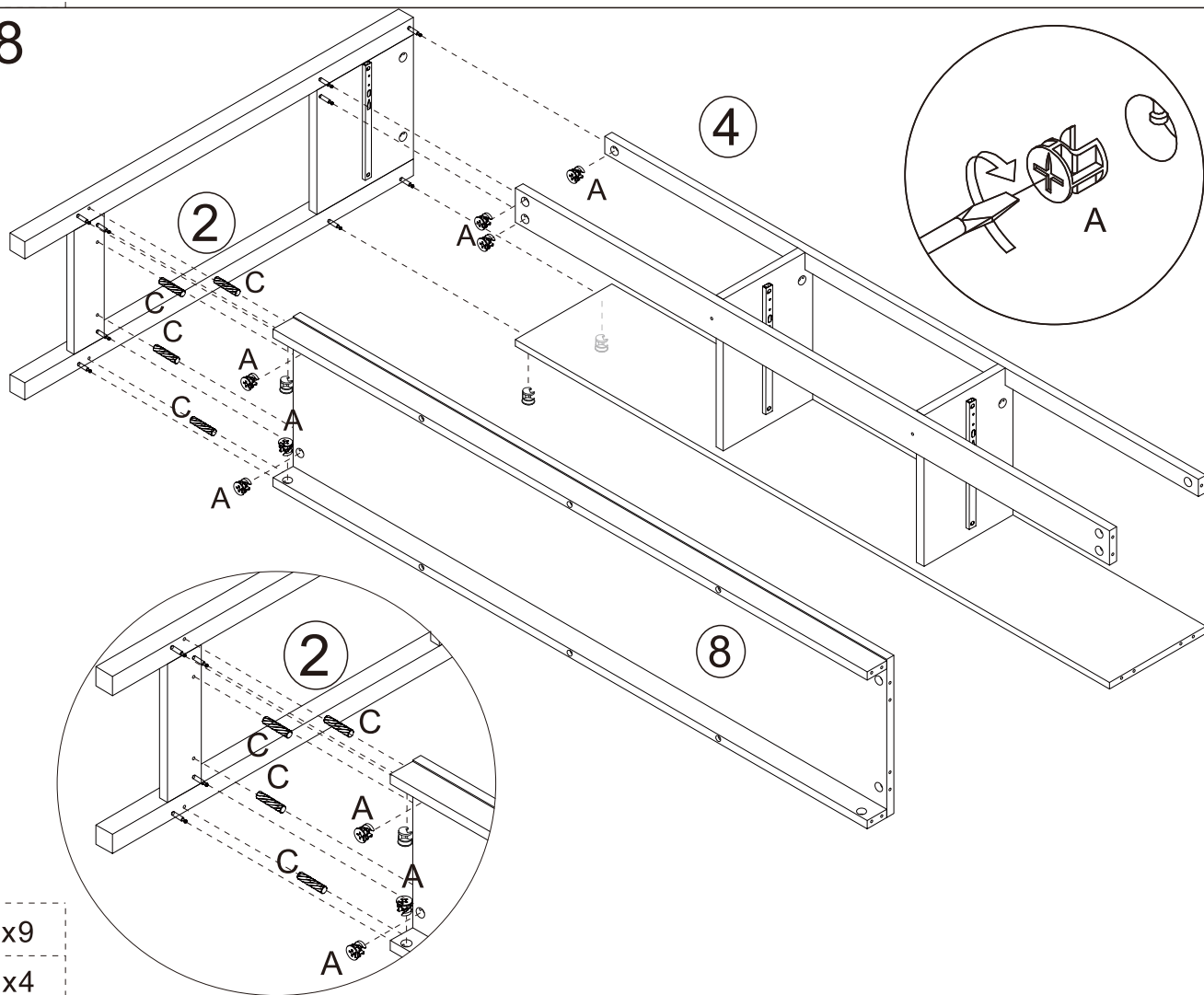
Fx4

Step 7



Fx6

Step 8

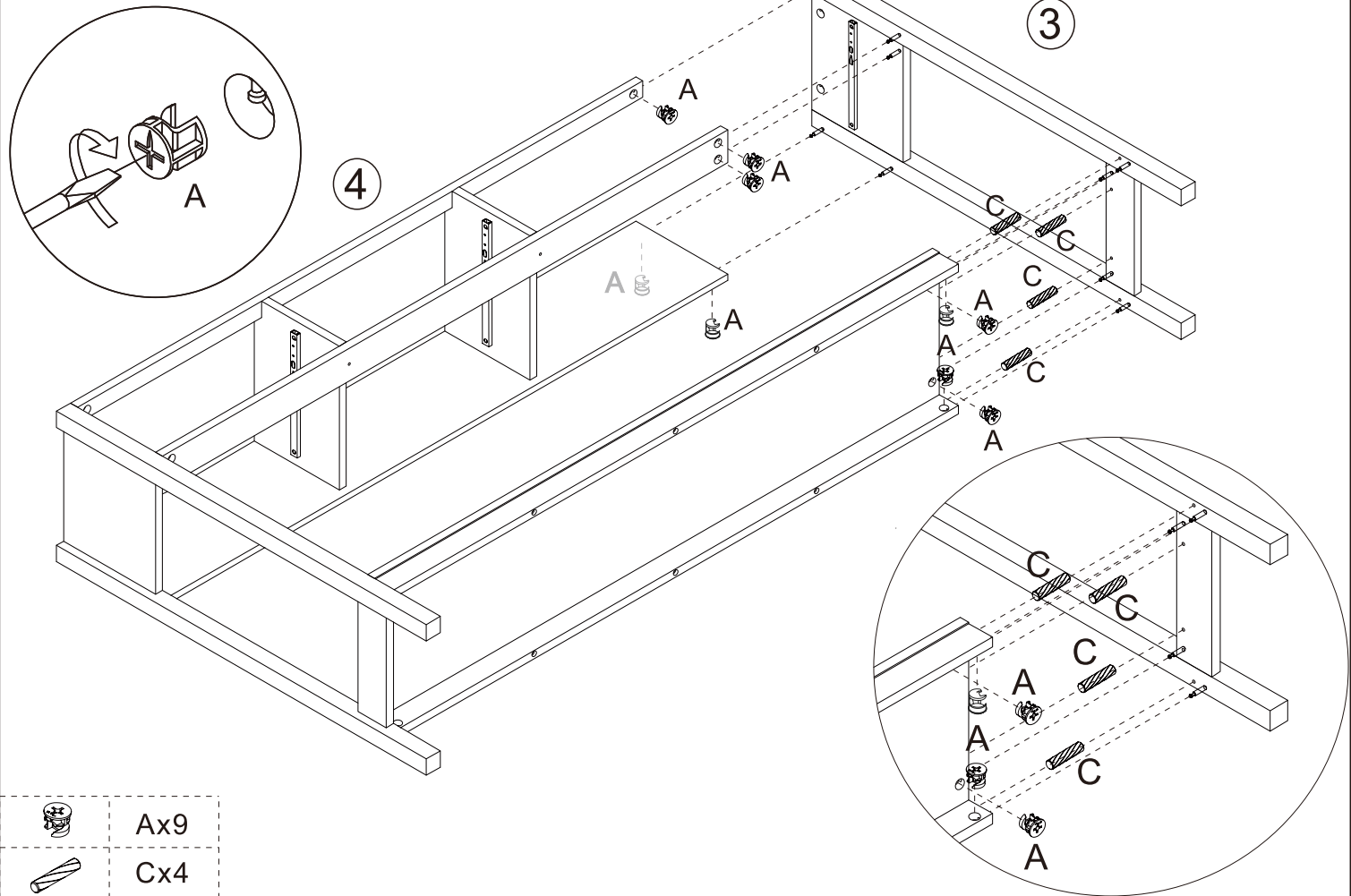


Ax9

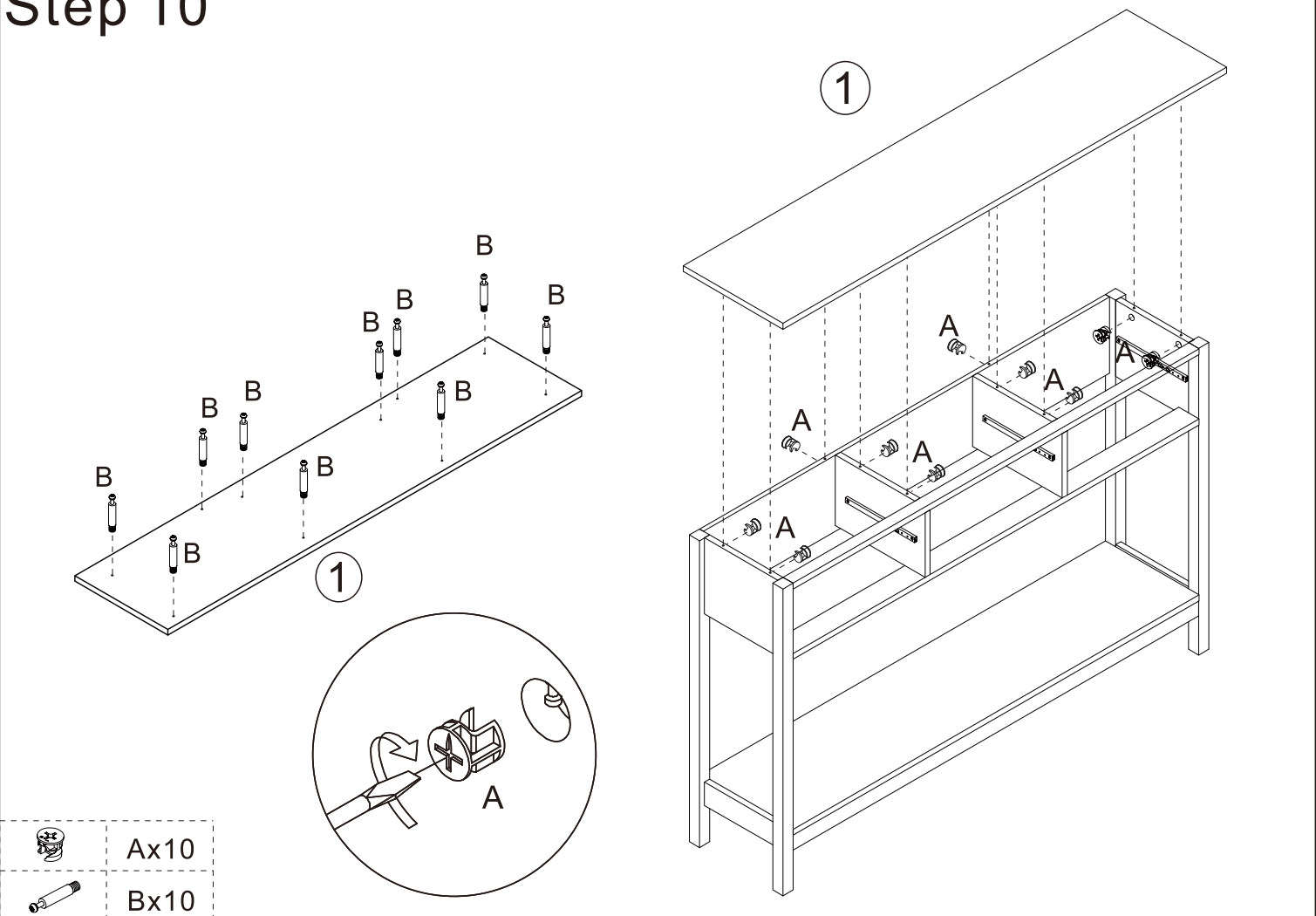


Cx4

Step 9

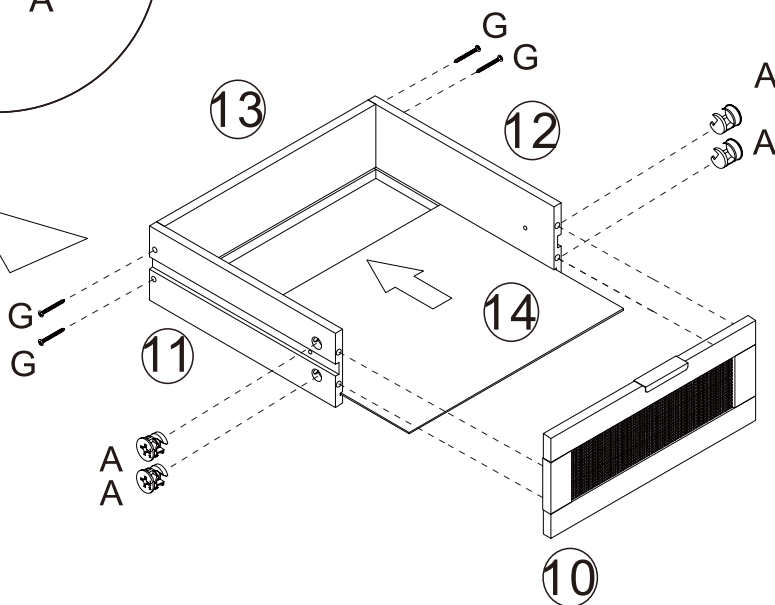
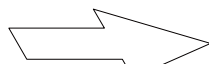
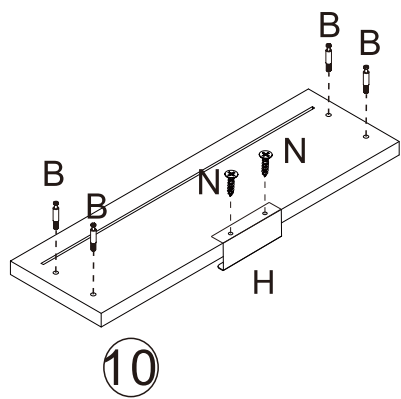
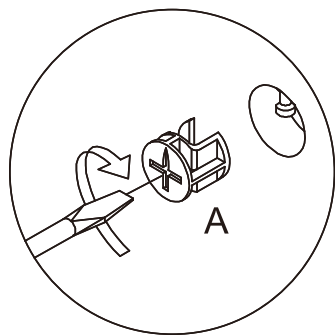







Step 10



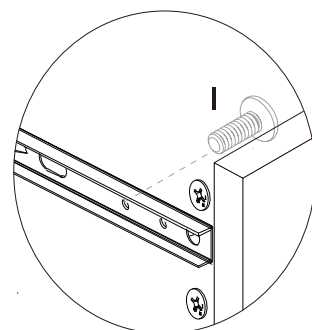
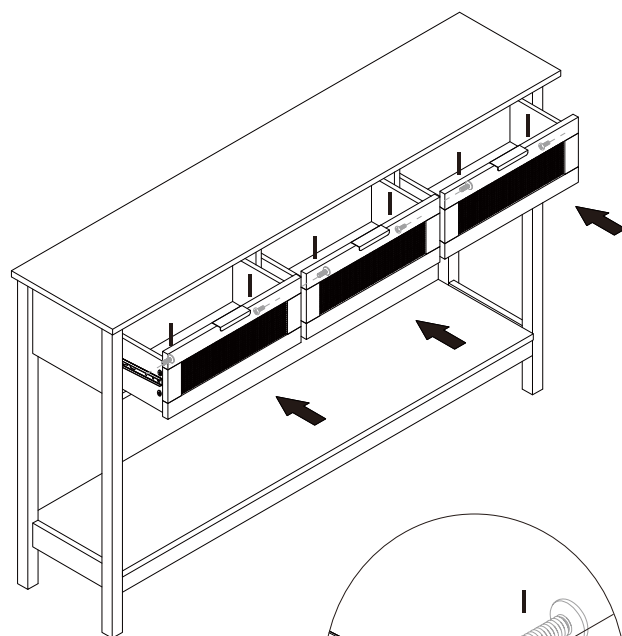
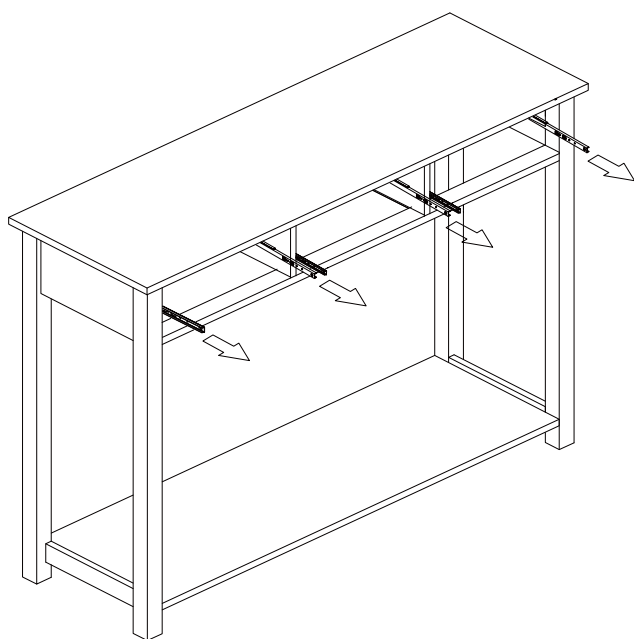
Step 11

x3



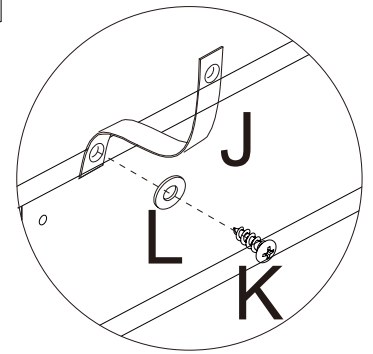
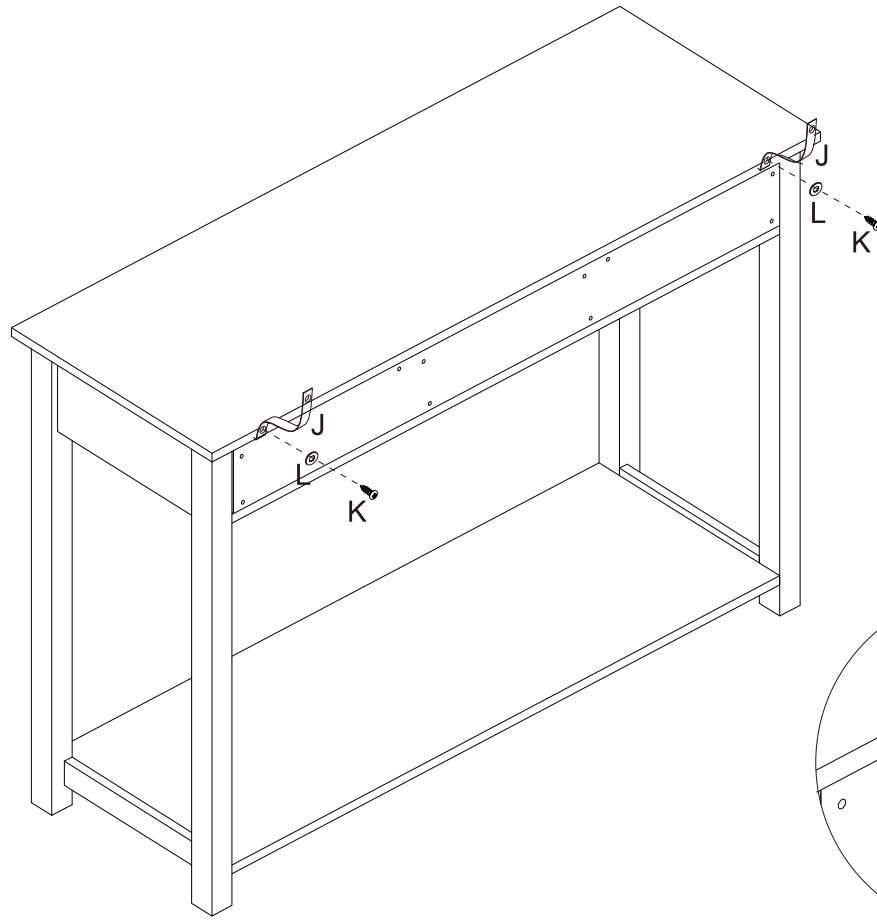
| | | | |
|--|------|---|-----|
|  | Ax12 |  | Nx6 |
|  | Bx12 |  | Hx3 |
|  | Gx12 | | |




Step 12



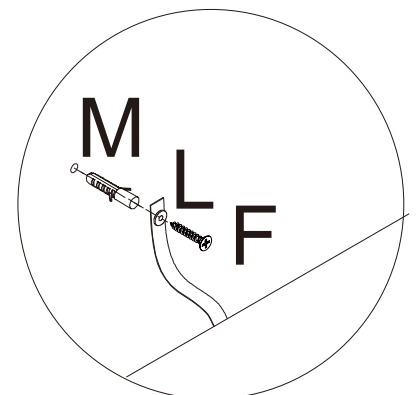
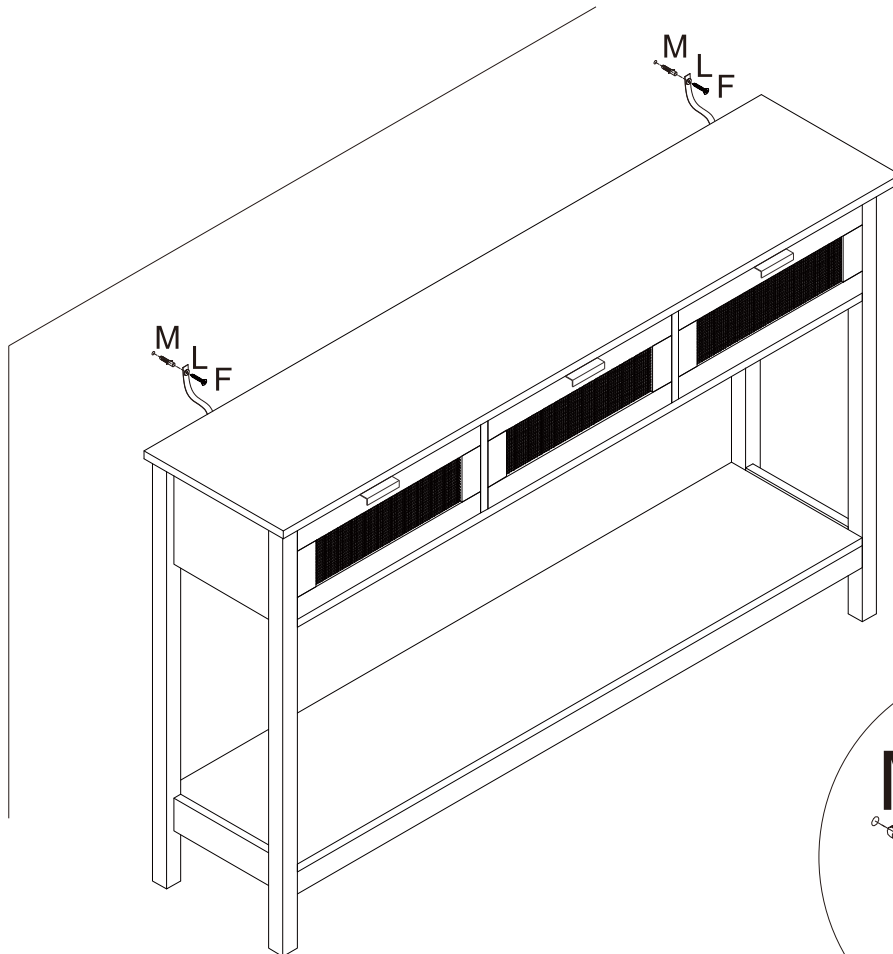
| | |
|--|-----|
|  | Ix6 |
|--|-----|




Step 13



| | |
|--|-----|
|  | Jx2 |
|  | Kx2 |
|  | Lx2 |

Step 14



| | |
|--|-----|
|  | Fx2 |
|  | Lx2 |
|  | Mx2 |