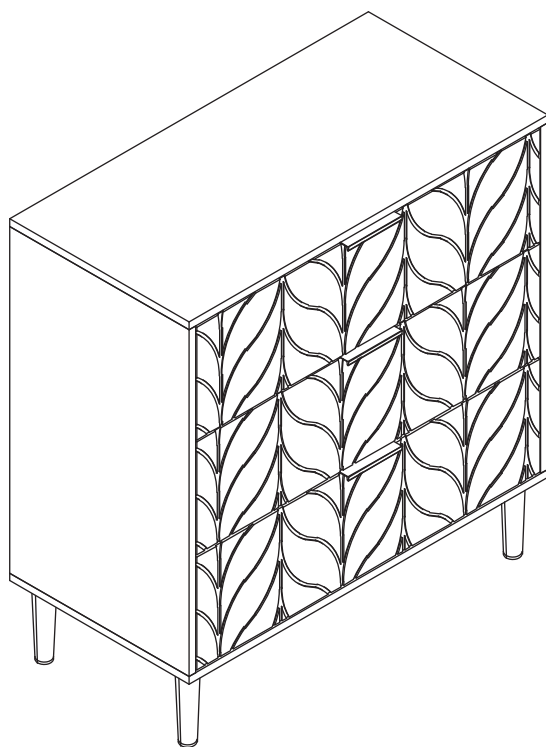


Instruction manual

3 Drawer Chest of Drawers



CONTENTS

Safety and care advice	1
Components	2
Assembly instructions	5
Copyright	15

⚠️ SAFETY AND CARE ADVICE ⚠️

PLEASE READ THESE INSTRUCTIONS CAREFULLY AND KEEP FOR FUTURE REFERENCE

- **Warning:** This unit weighs approximately 33kgs. Please lift with care.
- Check you have all the components and tools listed on pages 2 and 3.
- Remove all fittings from the plastic bags and separate them into their groups.
- Keep children and animals away from the work area, small parts could choke if swallowed.
- Make sure you have enough space to lay out the parts before starting.
- Do not stand or put weight on the product, this could cause damage.
- Assemble the item as close to its final position (in the same room) as possible.

- Assemble on a soft level surface to avoid damaging the unit or your floor (use opened out unit carton).



- We do not recommend the use of power drill/drivers **for inserting screws**, as this could damage the unit. Only use hand screwdrivers.
- **Safety note:** If there is any chance of this unit being pulled over by children etc. it is recommended that the unit is secured to a wall using suitable fixings.
- Dispose of all packaging carefully and responsibly.

CARE AND MAINTENANCE

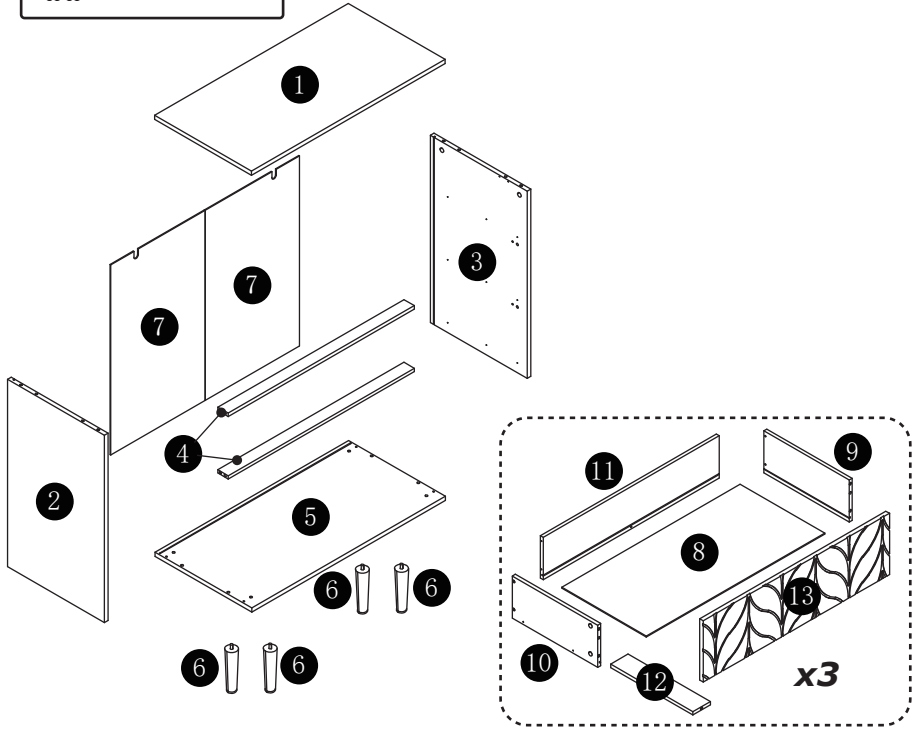
- Only clean using a damp cloth and mild detergent, do not use bleach or abrasive cleaners.
- From time to time check that there are no loose screws on this unit.

- This product should not be discarded with household waste. Take to your local authority waste disposal center.

Note *If required the next page can be cut out and used as reference throughout the assembly. Keep this page with these instructions for future reference.*

COMPONENTS

Please check you have all the panels listed below:



1 Top Panel	x1	8 Drawer Bottom Panel	x3
2 Left Side Panel	x1	9 Drawer Right Side Panel	x3
3 Right Side Panel	x1	10 Drawer Left Side Panel	x3
4 Vertical Panel	x1	11 Drawer Back Panel	x3
5 Bottom Panel	x1	12 Drawer Support Bar	x3
6 Standing Leg	x1	13 Drawer Front Panel	x3
7 Back panel	x2		



COMPONENTS

Please check you have all the fittings listed below:



Metal Dowel x 23



Lock (Ø15x12mm) x 4



Lock (Ø15x9.5mm) x 19



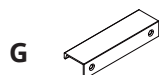
Wooden Dowel (Ø8x30mm) x 18



Screw (Ø4x35mm) x 21



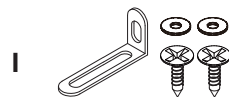
Screw (Ø3.5x12mm) x 24



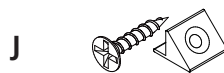
Handle x 3



Screw (Ø3x12mm) x 6



Wall fixing x 2



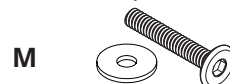
Back Support x 8



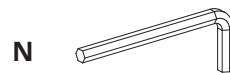
Support hardware x 1



Screw (Ø6x10mm) x 4



Screw (Ø6x25mm) x 3



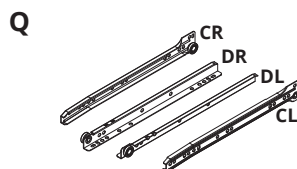
Allen wrench x 1



Wall plug x 2



Back Panel Bone x 1



Drawer runner x 3

TOOLS NEEDED
(We don't provide)



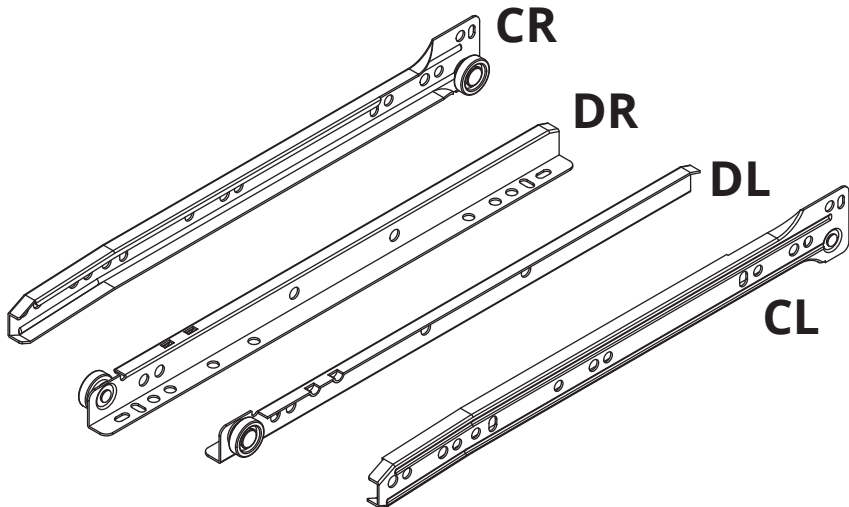
Phillips Screwdriver x 1



DRAWER RUNNER INSTRUCTION

△ IMPORTANT - Please read carefully - 1 Pair of drawer runners includes 4 pieces.

Part Q includes CR\DR\DL\CL.

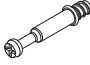
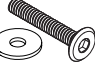
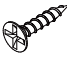

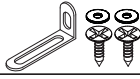
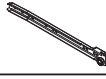




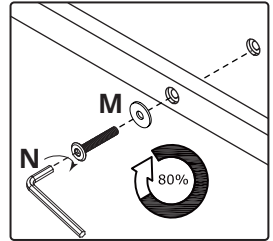
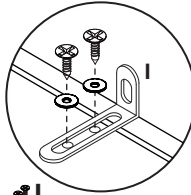
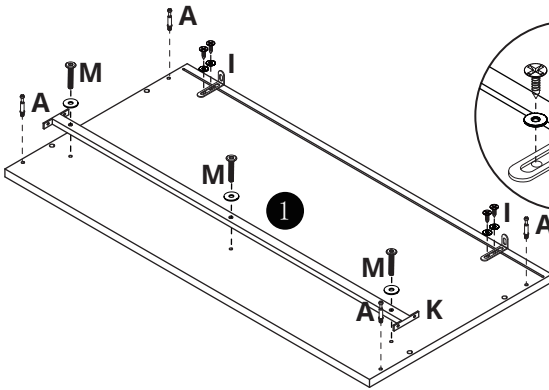
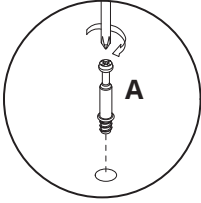
Fittings (not to scale)

No.	Description	Qty	
CR	Outer Drawer Runner - Right	3	
CL	Outer Drawer Runner - Left	3	
DR	Inner Drawer Runner - Right	3	
DL	Inner Drawer Runner - Left	3	

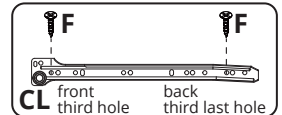
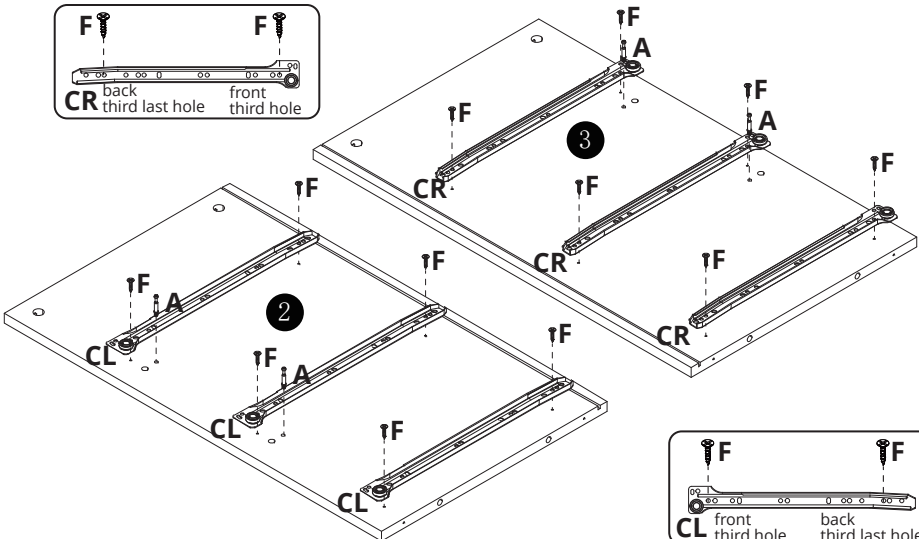
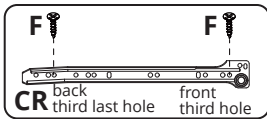
ASSEMBLY INSTRUCTIONS

Step 1

A		8	M		3
F		12	N		1
I		2	CR		3
K		1	CL		3






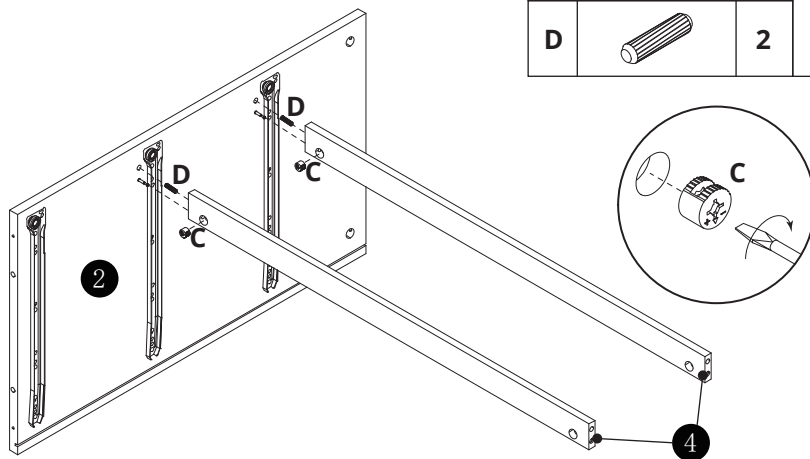
Do not tighten screws fully until all components are assembled.






ASSEMBLY INSTRUCTIONS

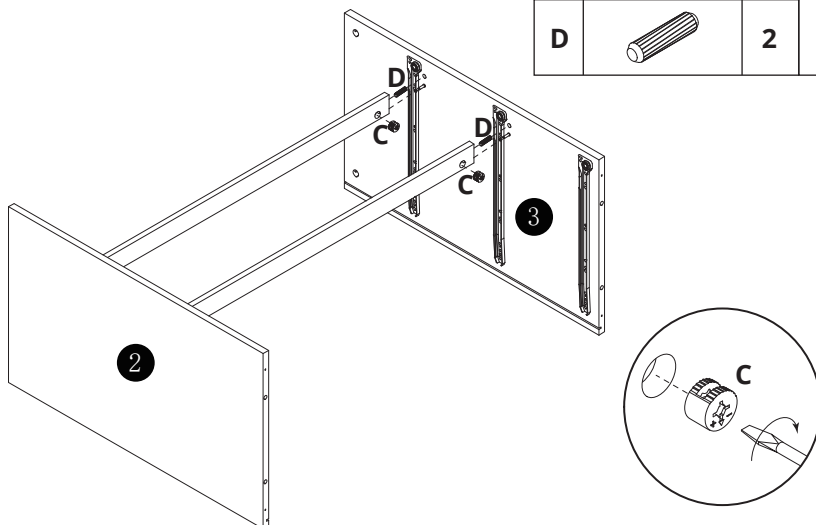
Step 2

C		2	
D		2	



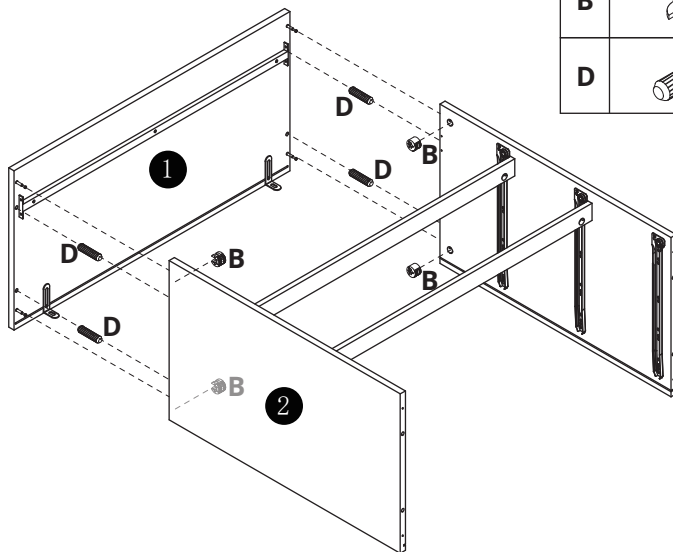
Step 3




C		2	
D		2	

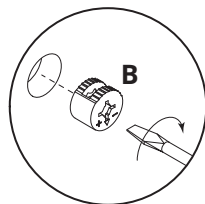


ASSEMBLY INSTRUCTIONS

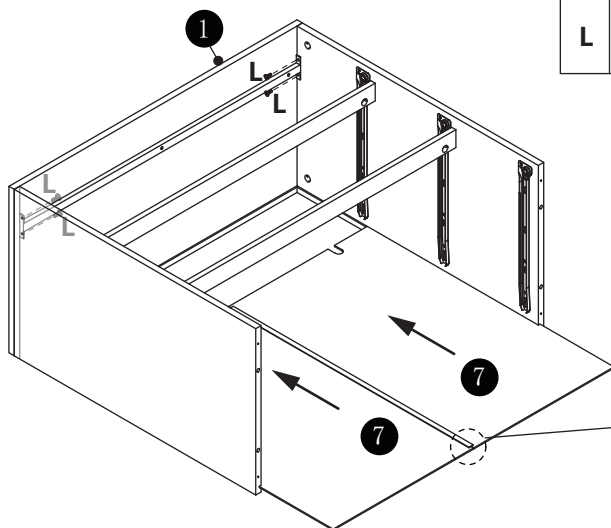
Step 4

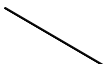




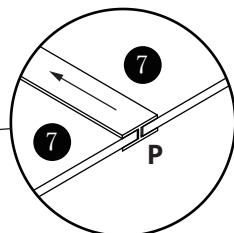
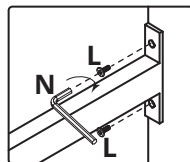
B		4	
D		4	



Step 5

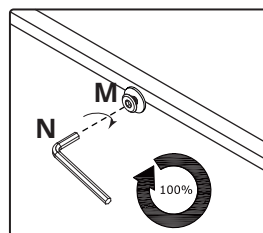
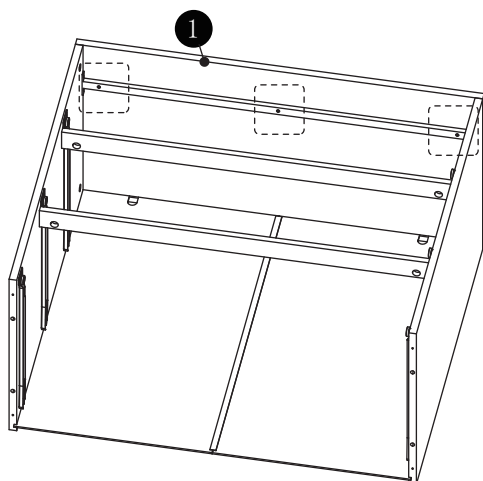


P		1	
L		4	



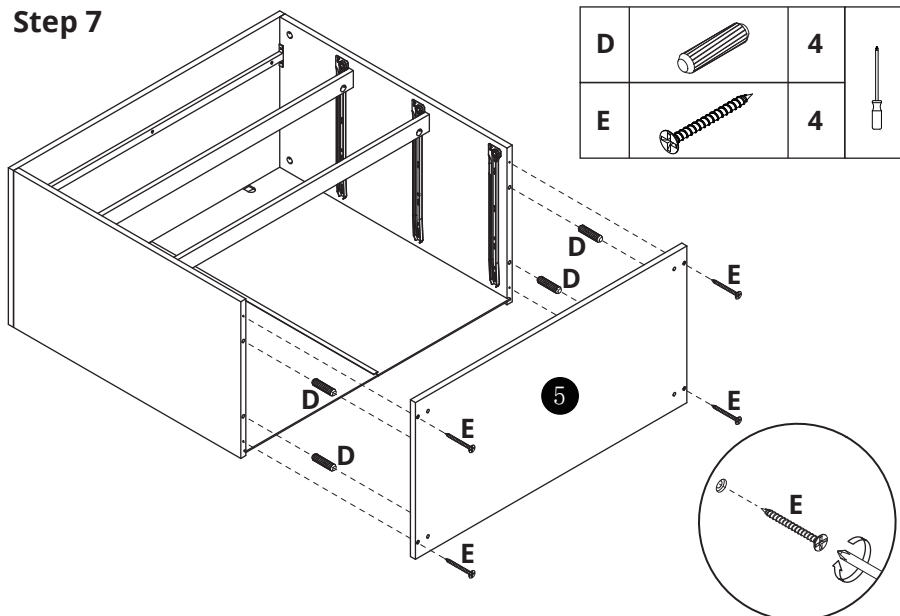
ASSEMBLY INSTRUCTIONS

Step 6



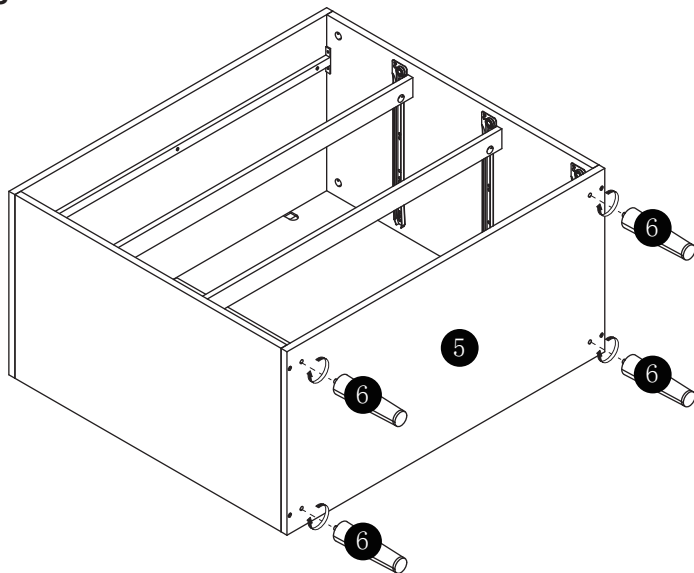
Once all components are assembled, screws can be tightened completely.

Step 7

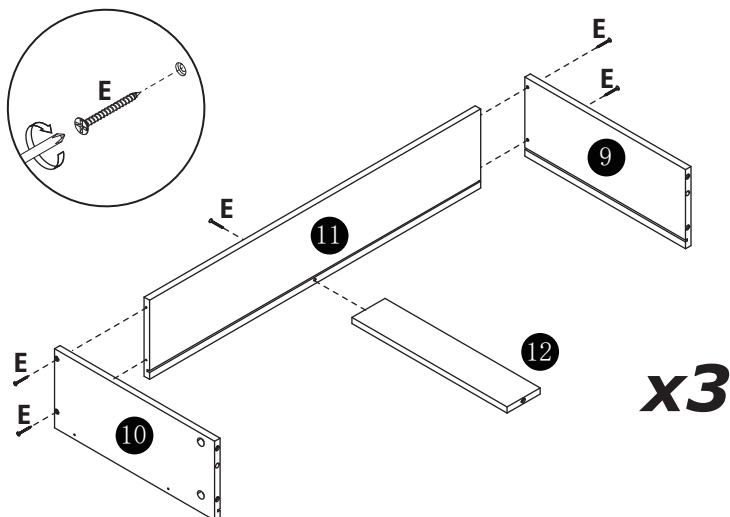


ASSEMBLY INSTRUCTIONS

Step 8

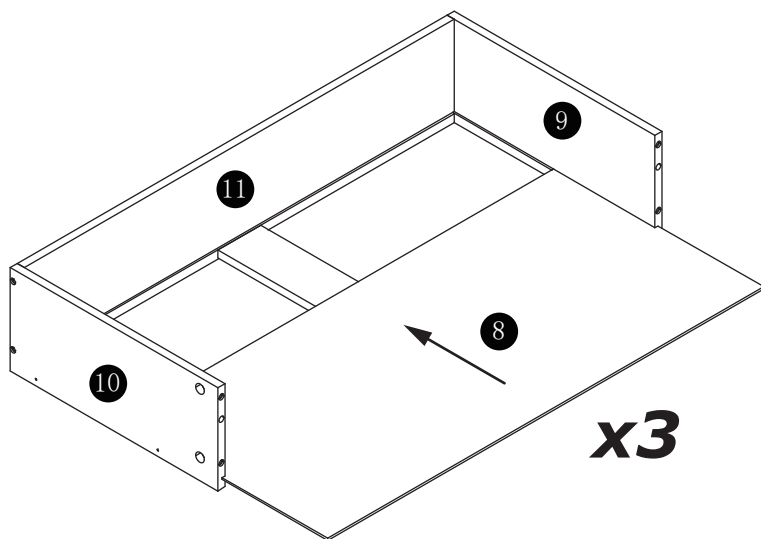


Step 9

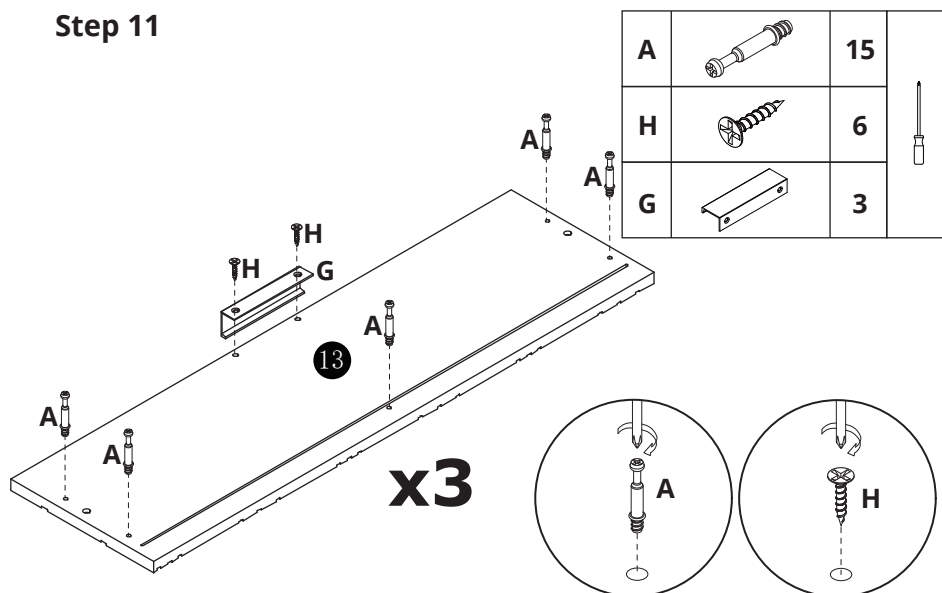


ASSEMBLY INSTRUCTIONS

Step 10






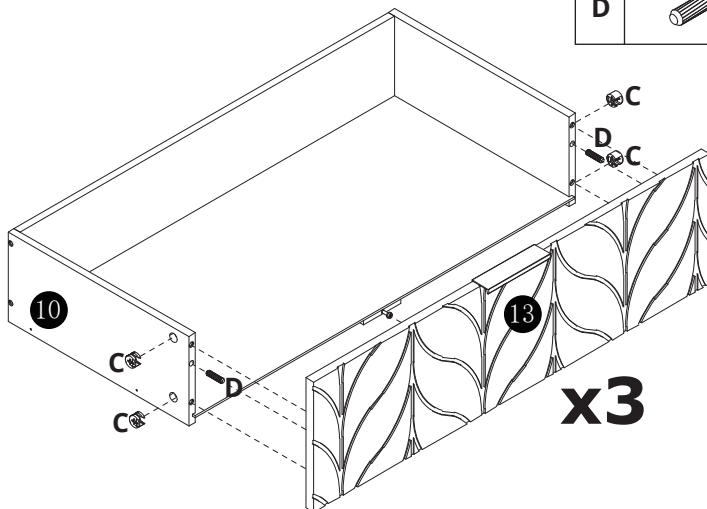
Step 11



ASSEMBLY INSTRUCTIONS


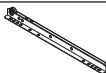



Step 12

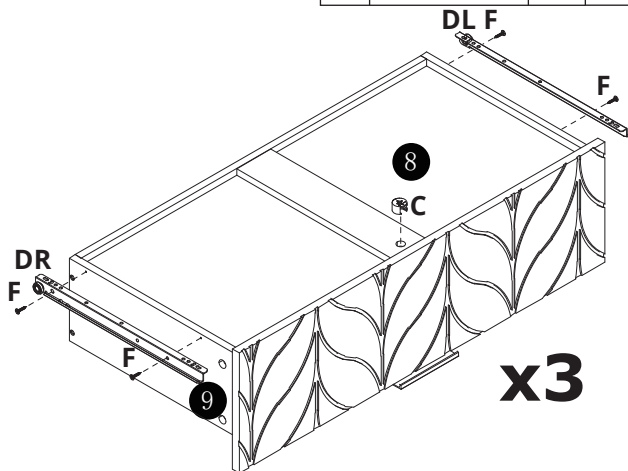
C		12	
D		6	



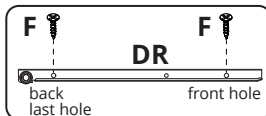
x3

Step 13

C		3	DR		3	
F		12	DL		3	

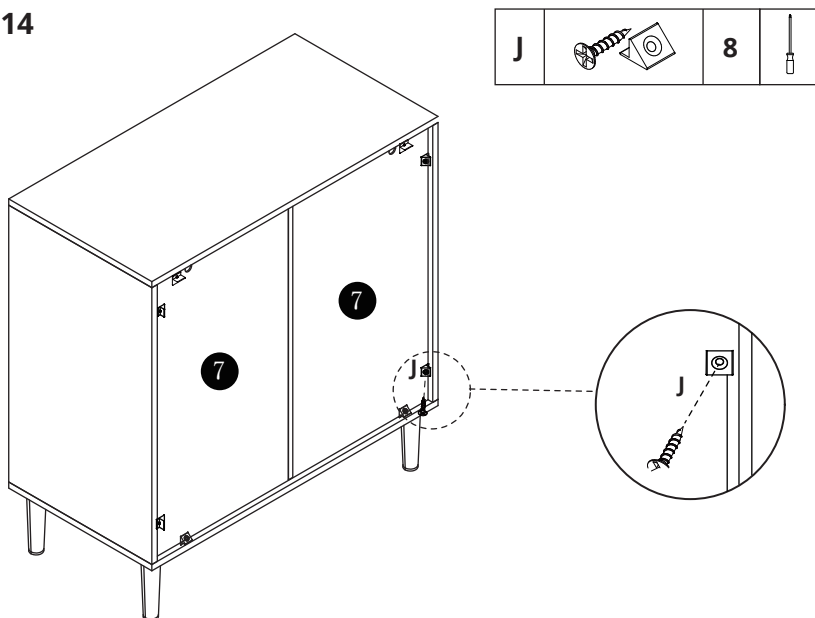


x3

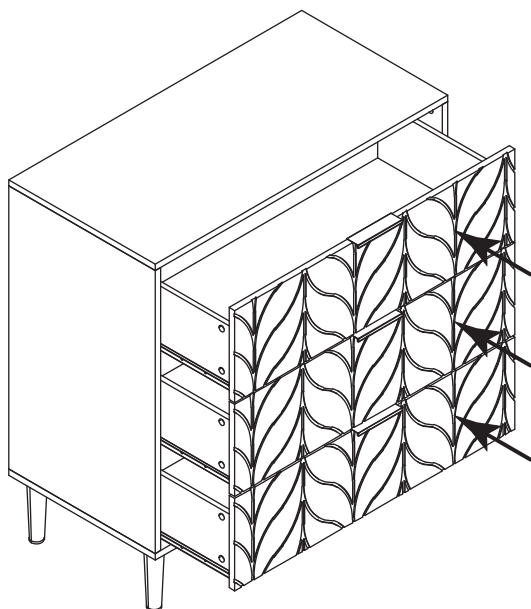


ASSEMBLY INSTRUCTIONS

Step 14






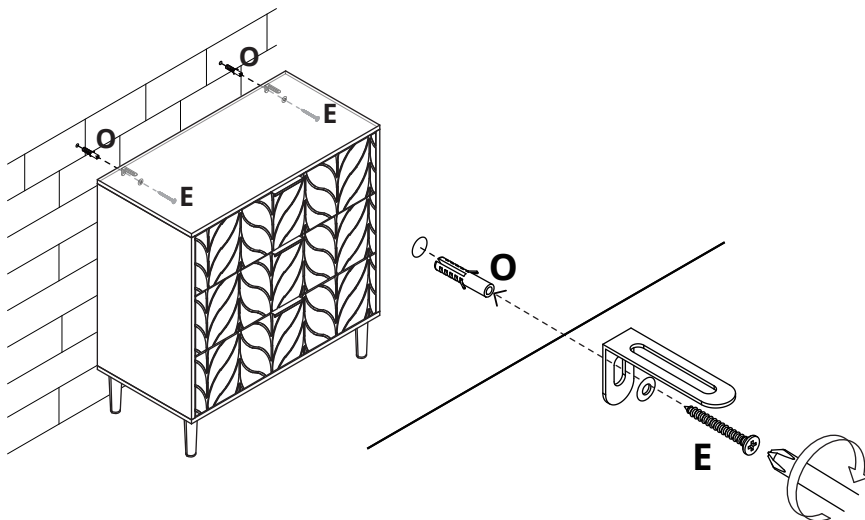
Step 15



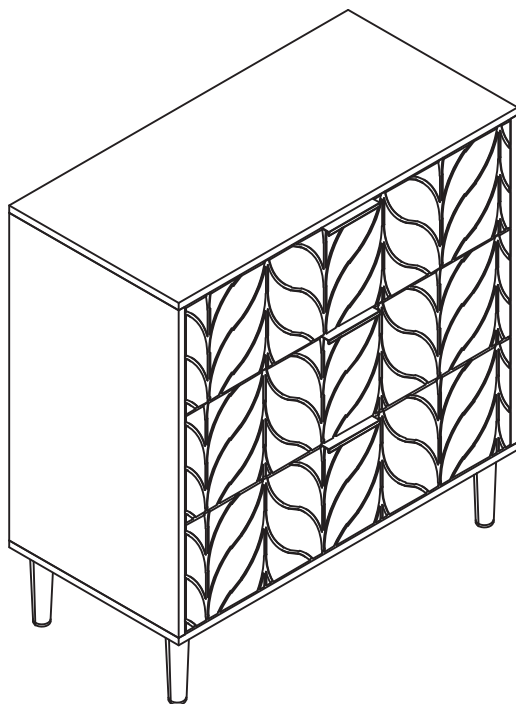
ASSEMBLY INSTRUCTIONS

Step 16

E		2	
O		2	



ASSEMBLY INSTRUCTIONS



Congratulations! Now you have finished assembling the product.

IF YOU FIND A DEFECTIVE PART

We fully stock all parts and components. Any defective part can be quickly replaced. Take note of the defective part number in manual and we will arrange a quick replacement.

COPYRIGHT

All material in this instruction manual is copyrighted

Any unauthorised use may violate worldwide copyright, trademark and other laws.