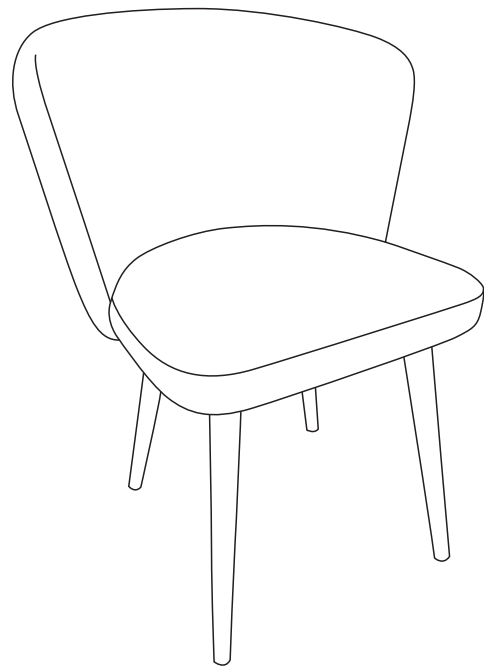

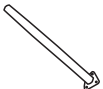





# ASSEMBLY INSTRUCTIONS



① x1 	② x2 	③ x2 
A x12 	B x12 	C x1 