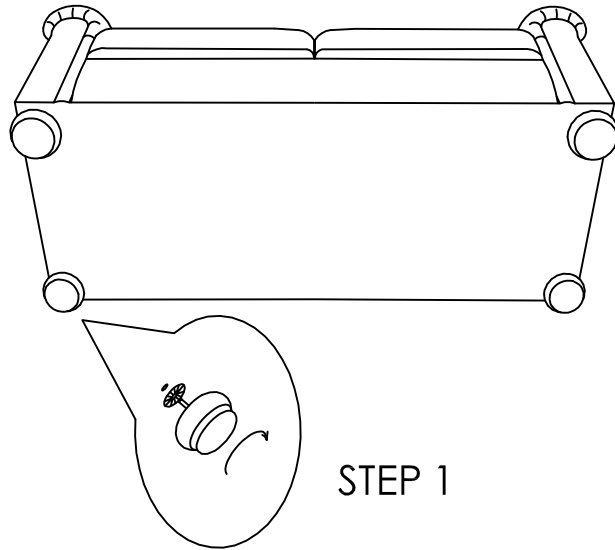


**CAUTION:** PLEASE READ ALL INSTRUCTIONS CAREFULLY BEFORE STARTING THE ASSEMBLY PROCESS. THESE PARTS ARE CUMBERSOME AND HEAVY. TWO PEOPLE ARE RECOMMENDED IN ORDER TO PREVENT PERSONAL INJURY AND INSURE THE PARTS ARE NOT DAMAGED DURING THE ASSEMBLY PROCESS.





ASSEMBLY  
INSTRUCTION

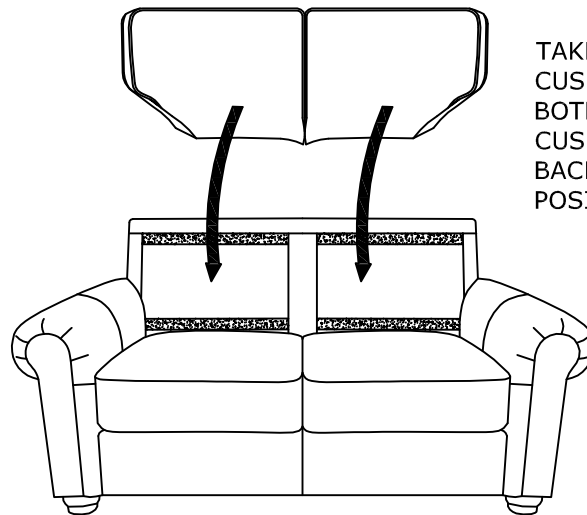


STEP 1



HARDWARE LIST

Drawing	Qty.
	4
	4
	4
	4



STEP 2

TAKE OUT AND TIDE THE LOOSEN BACK CUSHION FIRSTLY. MATCH AND STICK BOTH TWO STICKERS ON THE BACK CUSHION AND BACK FRAME TO MAKE BACK CUSHIONS ON THE RIGHT POSITION AS STEP 2.

