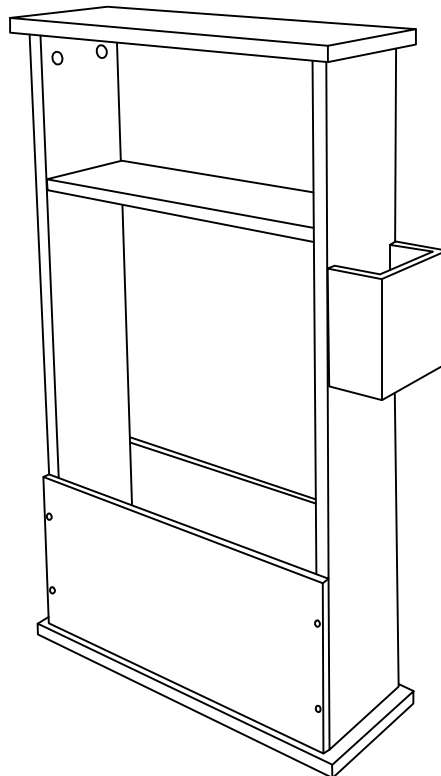


# ASSEMBLY INSTRUCTIONS



## NOTE TO CUSTOMERS:

- For ease and speed of assembly we recommend that before you commence each step of the assembly that you identify all the parts required to complete that step.
- We recommend that where possible you allow sufficient space to assemble the item as close as possible to the place where it will be once assembled.
- For the protection of your furniture we recommend that the product is placed on protected surfaces during assembly to prevent any damage.
- During assembly do not over tighten ,as this may damage the product.
- Please ensure you retain all the product packaging until the item completely assembled.
- Please periodically check all fittings and re-tighten as necessary.
- Never allow any liquids to remain on your furniture as absorption can cause the wood to warp or the finish to de-laminate.
- It is recommended that this item should be assembled by two adults.

To use a cam lock:(Please read below instructions before assembling)

	<p><b>Diagram A</b></p>	<p>1.Insert cam screw into holes as shown in diagram A.</p>
	<p><b>Diagram B</b></p>	<p>Make sure not to insert the cam screw too deep as shown in figure B, as this can lead to misalignment and prevent proper interlocking.</p>
	<p><b>Diagram C</b></p>	<p>Also avoid inserting the cam screw too close to the surface as shown in figure C, since this can cause the cam lock to loosen and fail to interlock properly.</p>

	<p>2.Connect the panels together.</p>
--	---------------------------------------


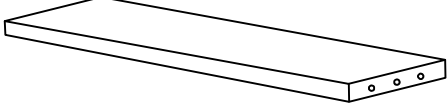
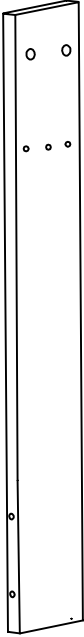
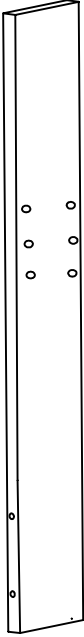
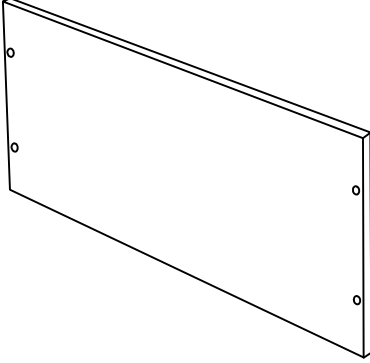
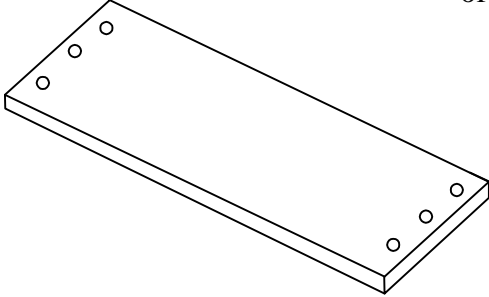
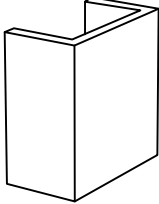
<p><b>ARROW SIGN</b></p>	<p>3.When inserting the cam lock make sure the arrow of the cam lock faces the cam screw.</p>
--------------------------	---

	<p>4.To tighten the cam lock, turn it clockwise by 90 to 180 degrees, or until the arrow points away from where the cam lock was inserted.</p>
<p><b>NOTE:DO NOT USE AN AUTOMATIC SCREWDRIVER TO TIGHTEN CAM LOCKS.</b></p>	


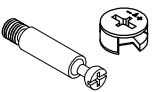

**Note:**

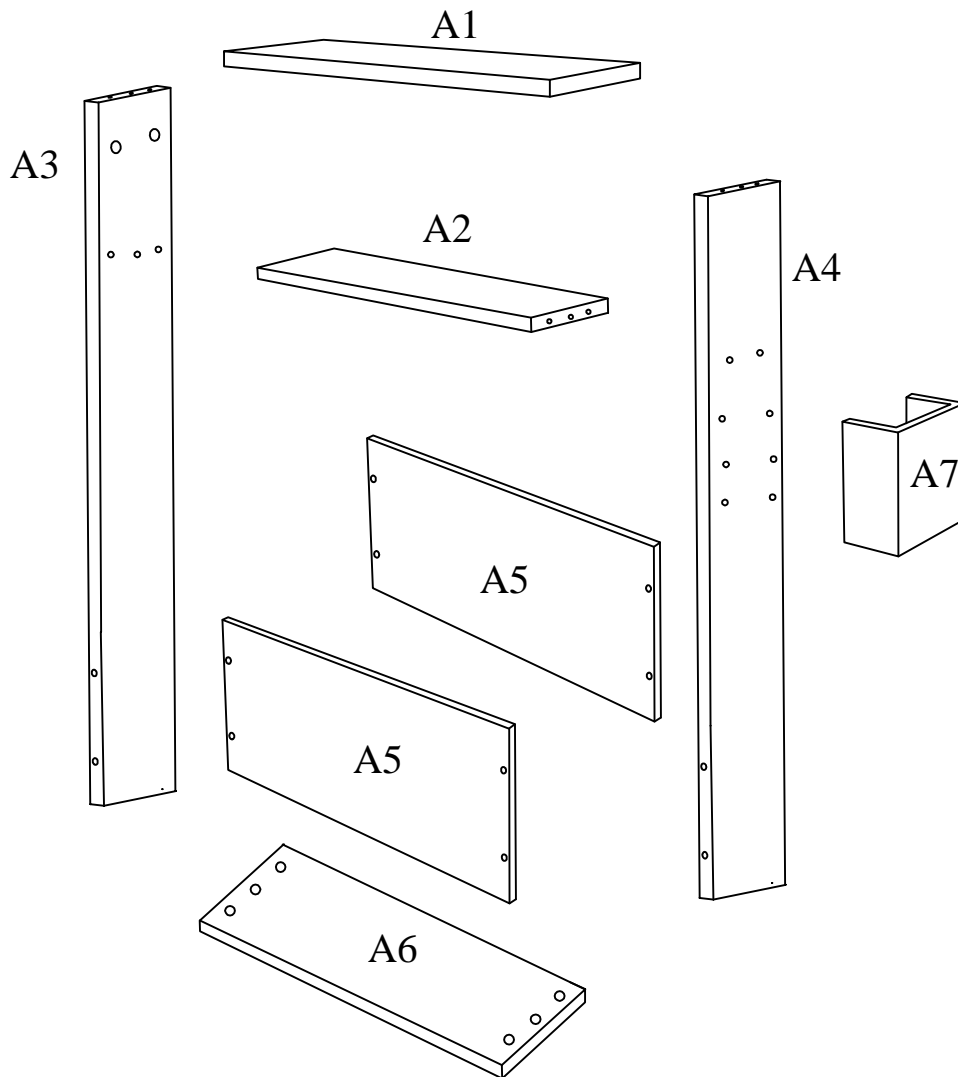
- Read these instructions carefully before assembling.
- Tools required:Phillips screwdriver, flat screwdriver.
- Find a clean, smooth area on which to work, such as a carpet, in order to avoid scratching the wood surface.
- Wait to dispose of the packing material until assembly is complete and all parts and hardware are accounted for.
- Two or more people might be required for assembly.
- Max weight capacity 25 LBS.

# Part List

<p>A1</p> <p>Quantity of 1</p>  <p>Top Panel</p>	<p>A2</p> <p>Quantity of 1</p>  <p>Shelf</p>		
<p>A3</p> <p>Quantity of 1</p>  <p>Side Panel</p>	<p>A4</p> <p>Quantity of 1</p>  <p>Side Panel</p>	<p>A5</p> <p>Quantity of 2</p>  <p>Divider</p>	<p>A6</p> <p>Quantity of 1</p>  <p>Bottom Panel</p>
		<p>A7</p> <p>Quantity of 1</p>  <p>Box</p>	

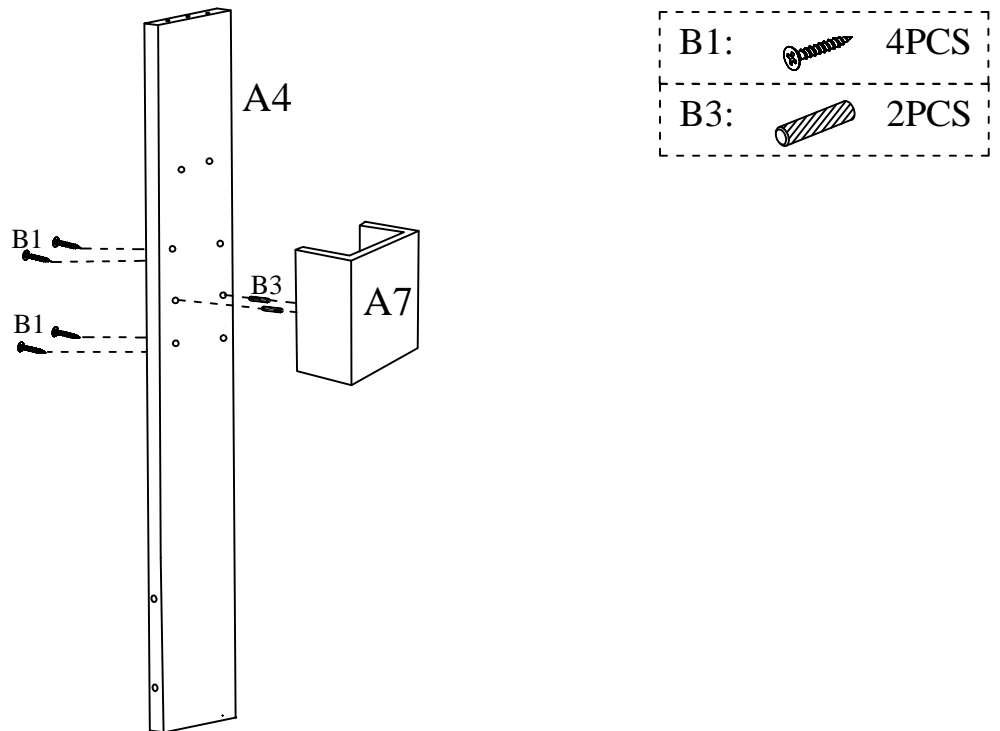
# Hardware List

<b>B1</b>    Screw	Quantity of 20	<b>B2</b>    Cam-lock	Quantity of 4
<b>B3</b>    Wood Dowel	Quantity of 8		



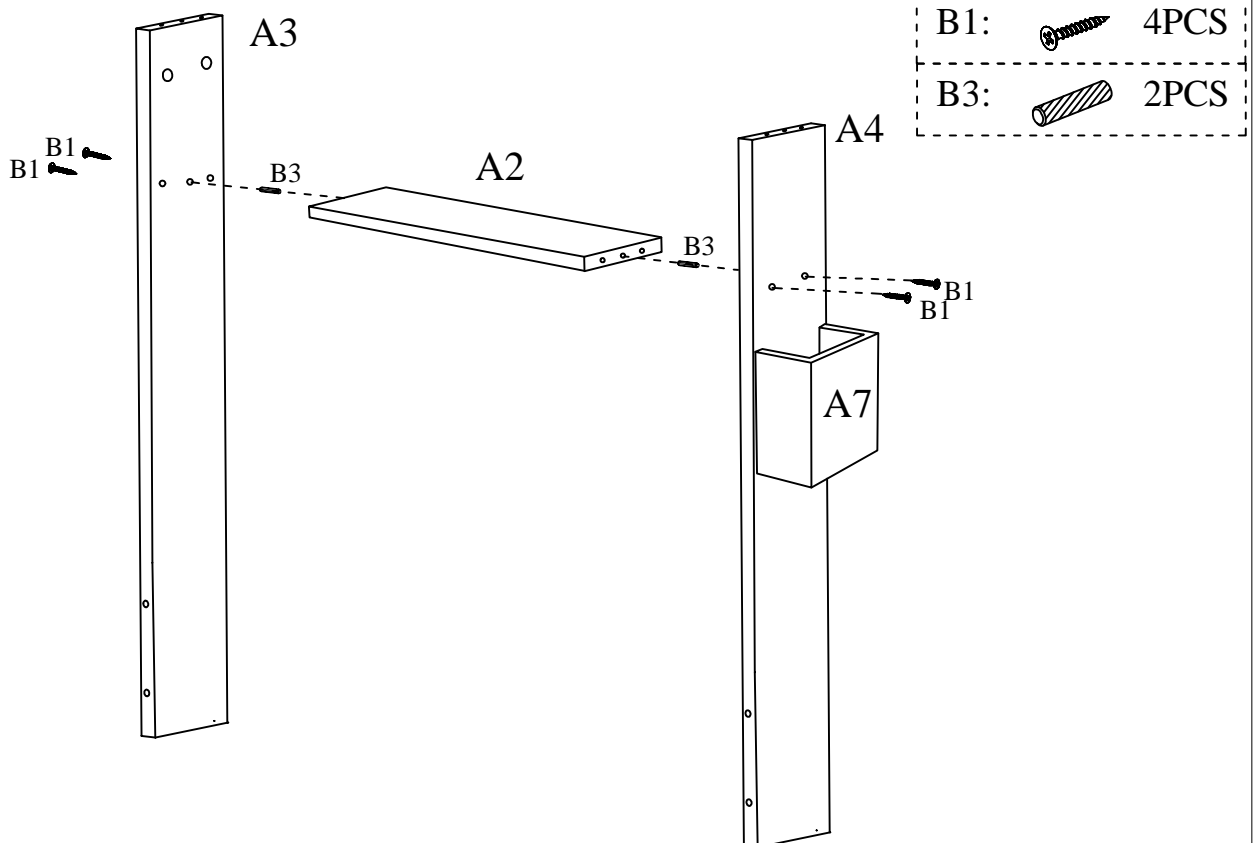
# Assembly instructions

## Step 1:



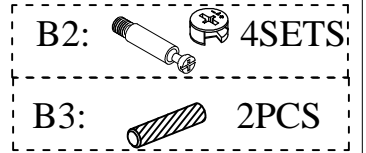
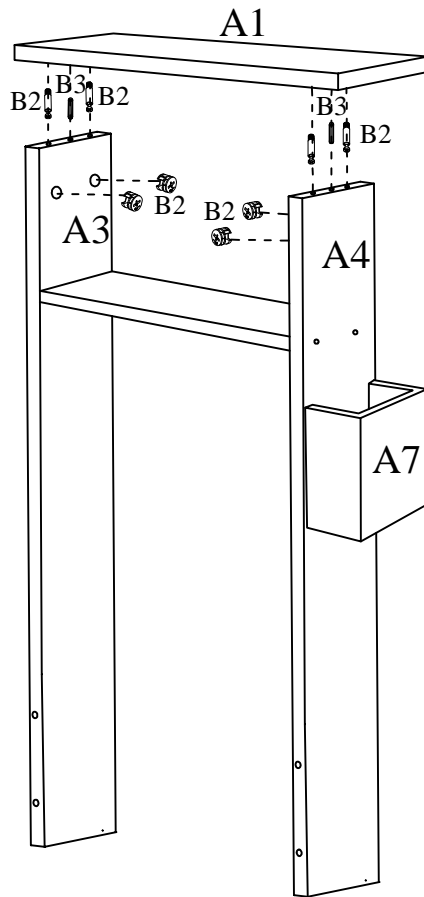
Assemble Box A7 to Side Panel A4 using Screws B1 & Wooden Dowels B3 as shown above.

## Step 2:



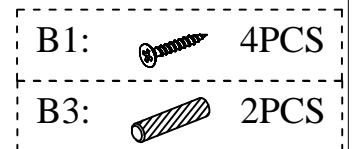
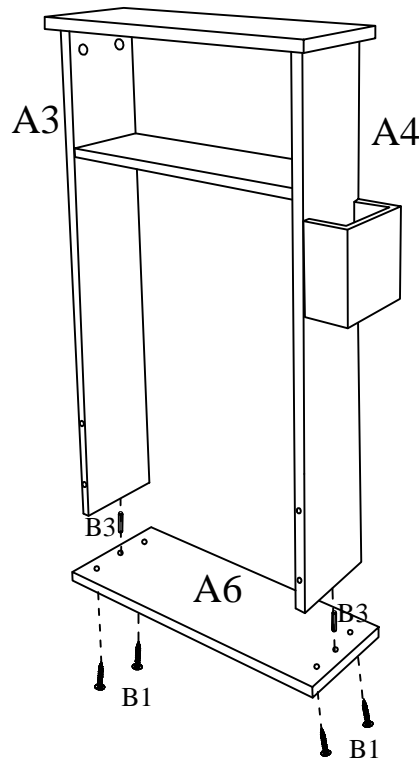
Assemble Side Panels A3 & A4 to Shelf A2 using Screws B1 & Wooden Dowels B3 as shown above.

### Step 3:



Assemble Top Panel A1 to Side Panels A3 &A4 using Cam-locks B2 & Wooden Dowels B3 as shown above.

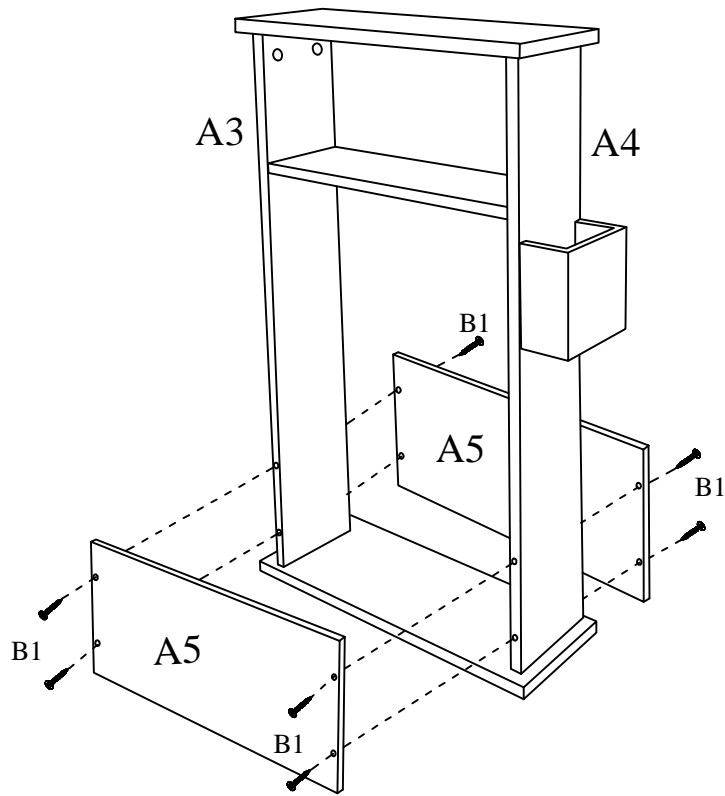
### Step 4:



Assemble Side Panels A3 &A4 to Bottom Panel A6 using Screws B1& Wooden Dowels B3 as shown above.

## Step 5:

B1:  8PCS



Assemble Dividers A5 to Side Panels A3 & A4 using Screws B1 as shown above.

## Step 6:

