

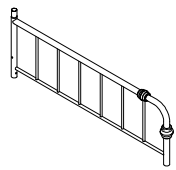
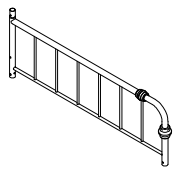
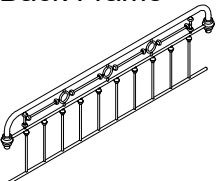
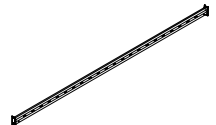
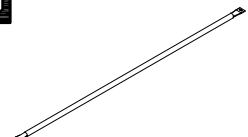
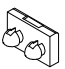
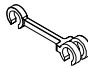
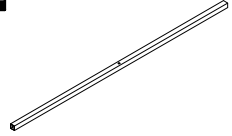
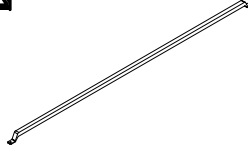





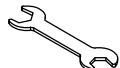
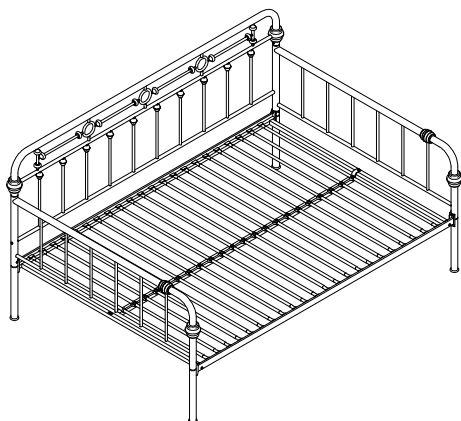


ASSEMBLY INSTRUCTION

METAL FULL DAYBED

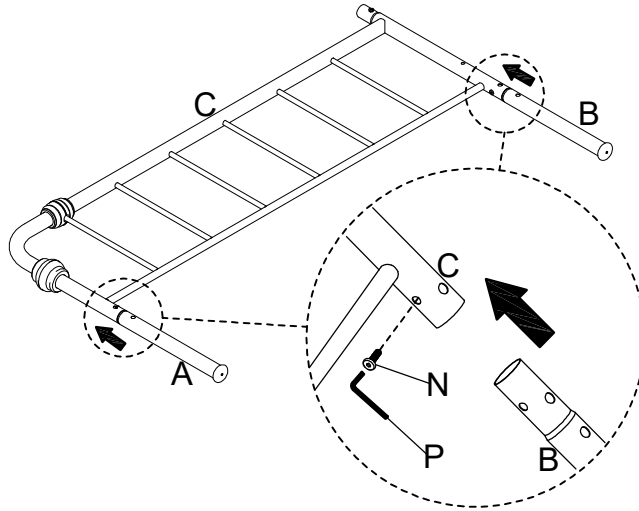
A Left Arm Post Leg  2PCS	B Right Arm Post Leg  2PCS	C Lsf Arm  1PC	D Rsf Arm  1PC
E Back Frame  1PC	F Rail  2PCS	G Slat  22PCS	H Slat Connector  44PCS
I Spacer  21PCS	J Lsf / Rsf Support Bar  2PCS	K Center Support Bar  1PC	L Bolt 1/4"*36mm  2PCS
M Bolt 1/4"*55mm  6PCS	N Bolt 1/4"*16mm  14PCS	O Nut 1/4"  2PCS	P L-Allen Key 4mm  1PC
Q Wrench 1/4"  1PC			



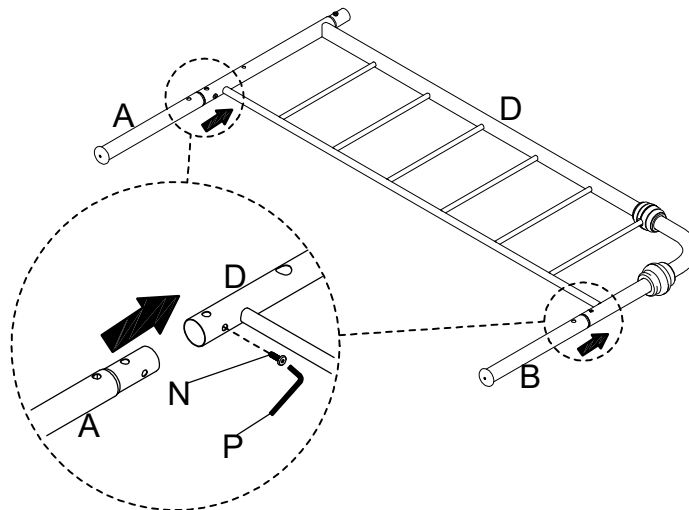
This page lists all the contents included in the box. Please take the time to identify the hardware as well as the individual components to this product. As you unpack and prepare for assembly, place the contents on a carpeted or padded area to protect them from damage.

1

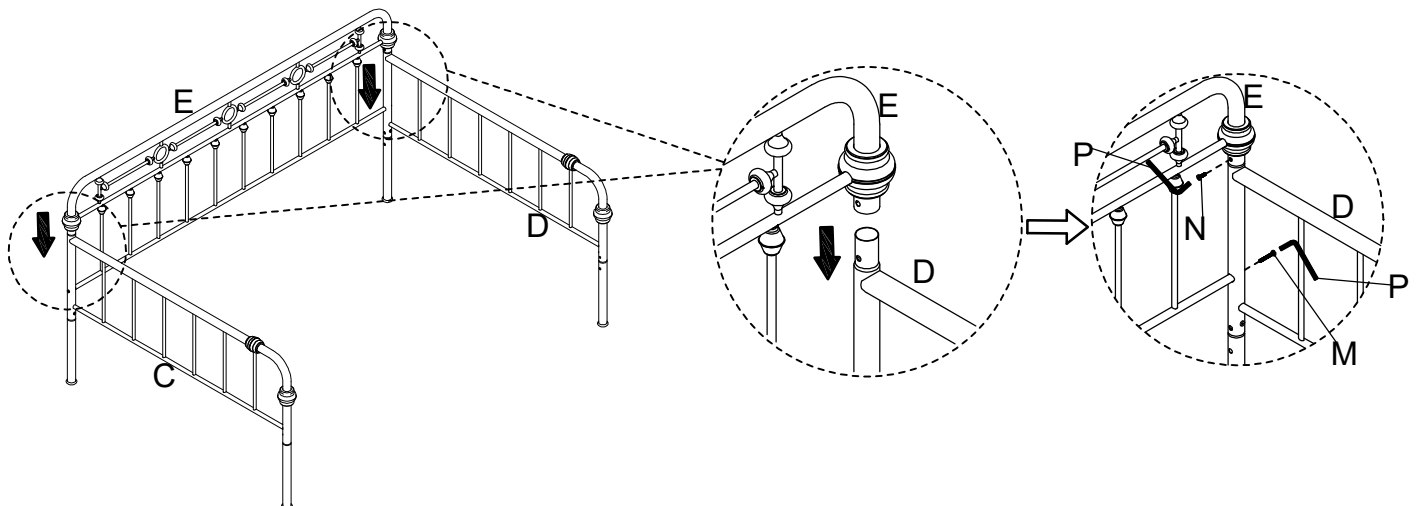
Attach Left Arm Post Leg (A) & Right Arm Post Leg (B) into the Lsf Arm (C), insert the Bolt (N), turn the L-Allen Key (P) to tighten them.

**2**

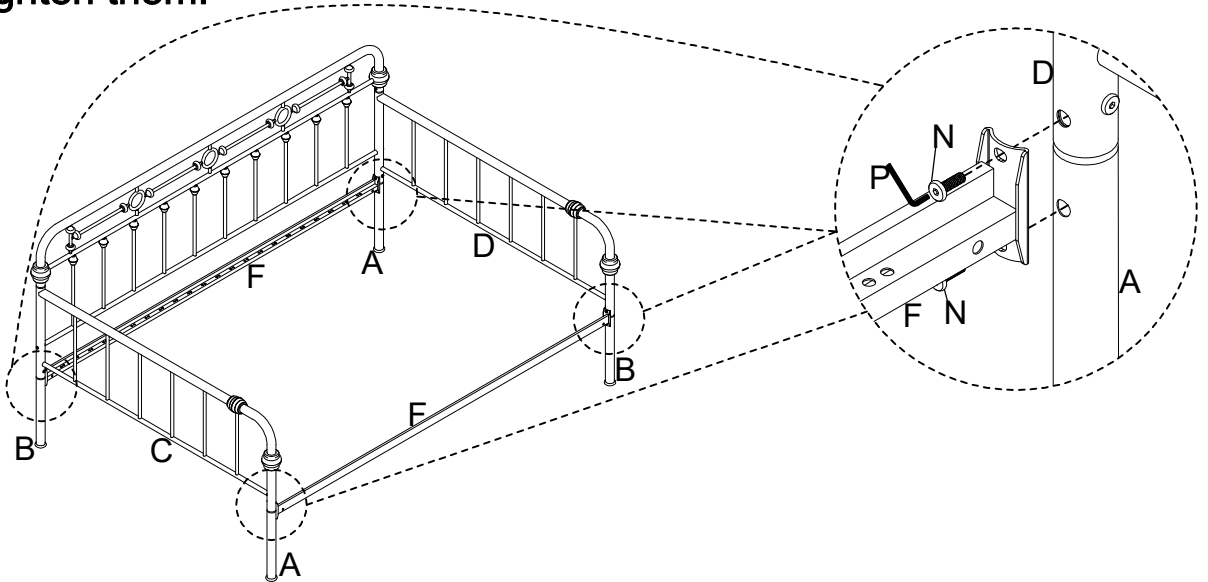
Attach Left Arm Post Leg (A) & Right Arm Post Leg (B) into the Rsf Arm (D), insert the Bolt (N), turn the L-Allen Key (P) to tighten them.

**3**

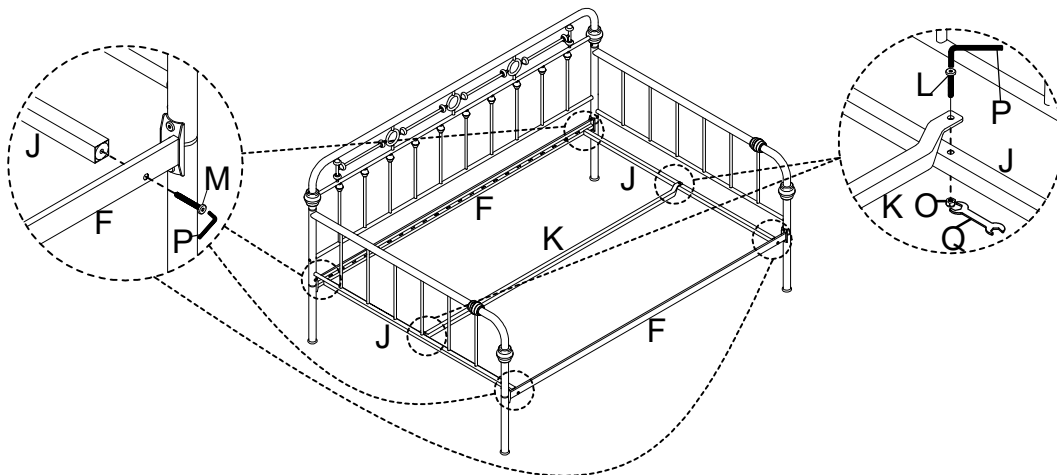
Attach the Back Frame (E) into the Lsf Arm (C) and Rsf Arm (D), insert the Bolt (M) and the Bolt (N), turn the L-Allen Key (P) to tighten them.



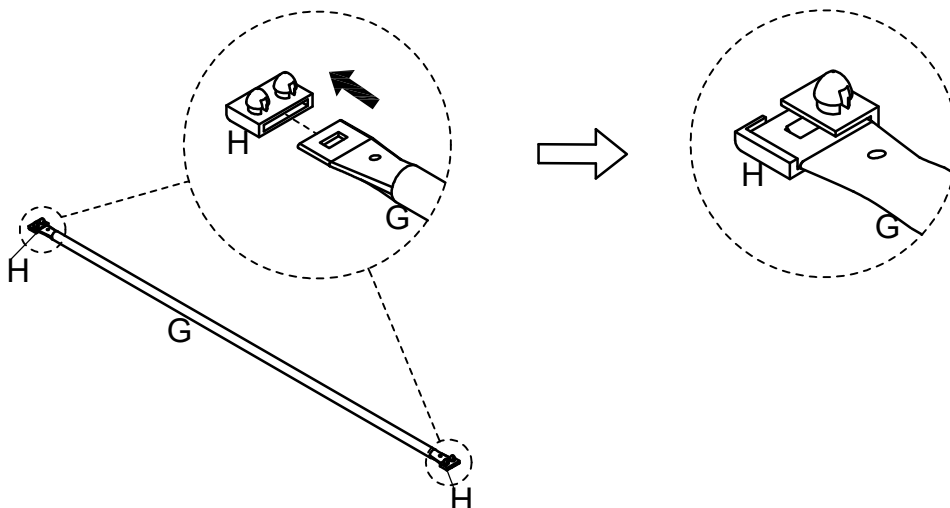
4 Attach Rail (F) to the Lsf Arm (C) and the Rsf Arm (D), Left Arm Post Leg (A) & Right Arm Post Leg (B), insert the Bolt (N), turn the L-Allen Key (P) to tighten them.



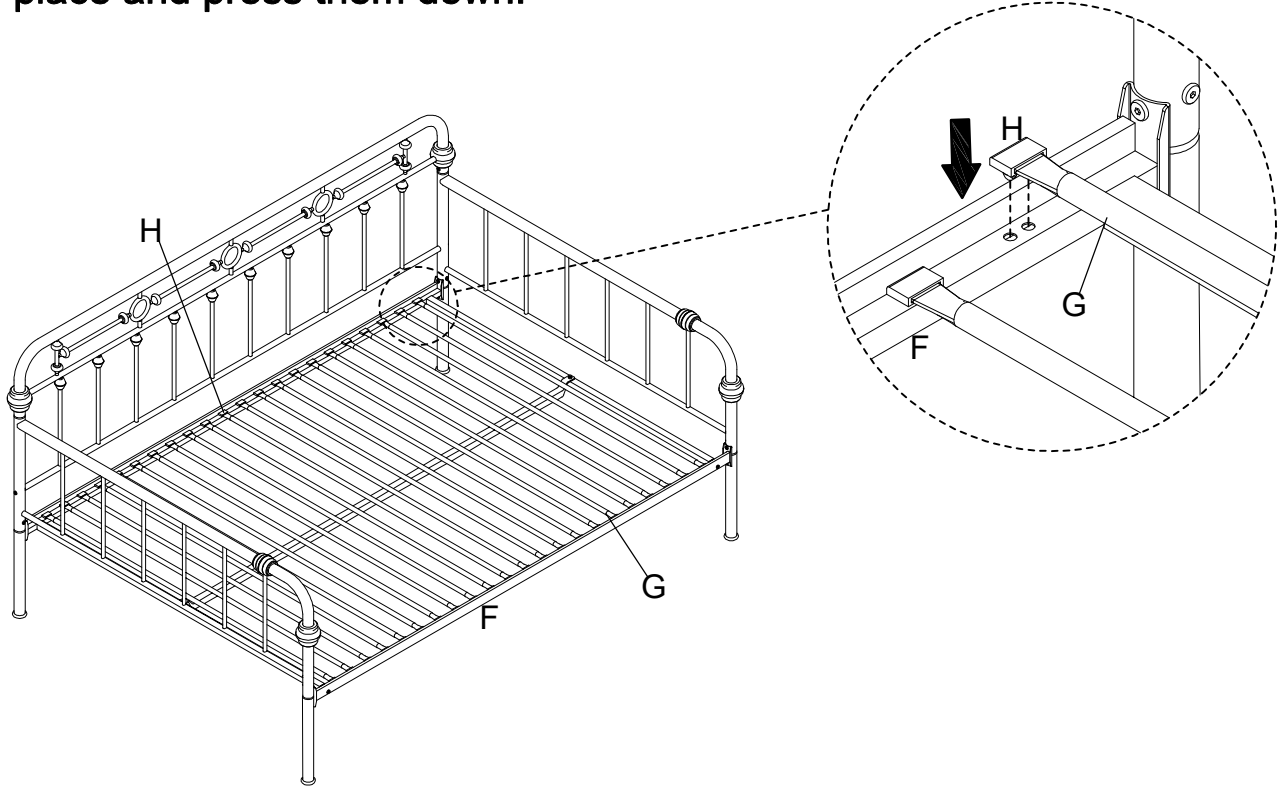
5 Attach the Lsf / Rsf Support Bar (J) to the Rail (F), insert the Bolt (M), turn the L-Allen Key (P) to tighten them. Attach the Center Support Bar (K) to the Lsf / Rsf Support Bar (J), insert the Bolt (L) and Nut (O), turn the L-Allen Key (P) and the Wrench (Q) to tighten them.



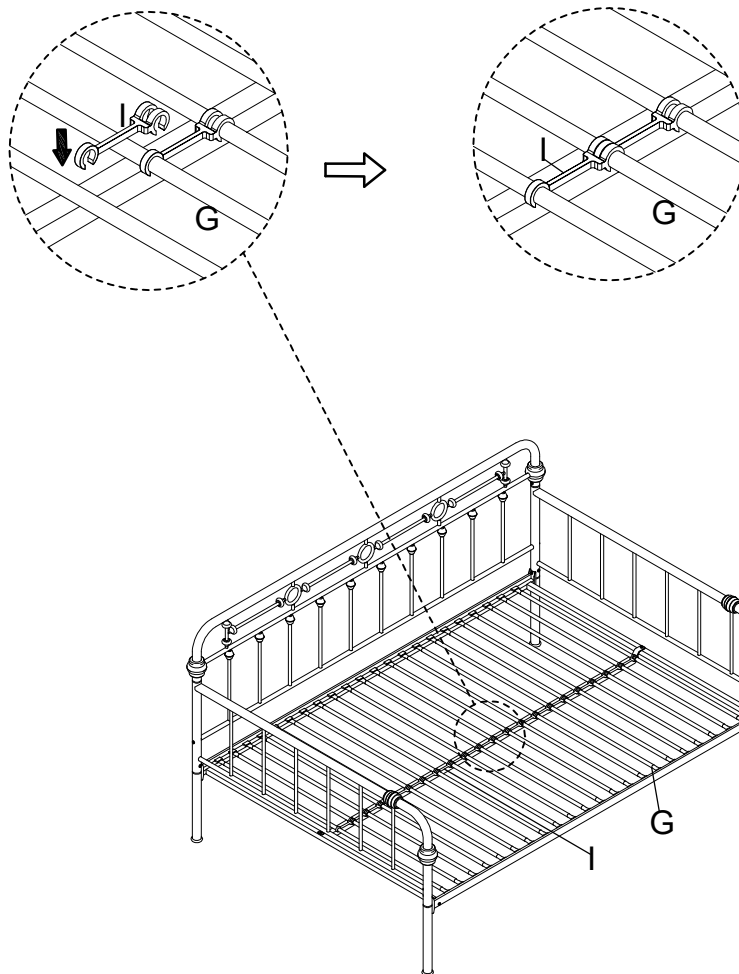
6 Insert the Slat Connector (H) to the both sides of Slat (G), press the Slat (G) into the correct place.



7 Attached the Slat (G) to rails, put the Slat Connectors (H) into the correct place and press them down.



8 Make the Spacer (I) to connect two slats as below instruction.



Cleaning & Care

Treat surface with care. Surface is resistant to scratches but is not scratch resistant. Clean surfaces with a dry or damp soft cloth. Do not use abrasive cleaners. Hardware may loosen over time. Periodically check that all connections are tight.