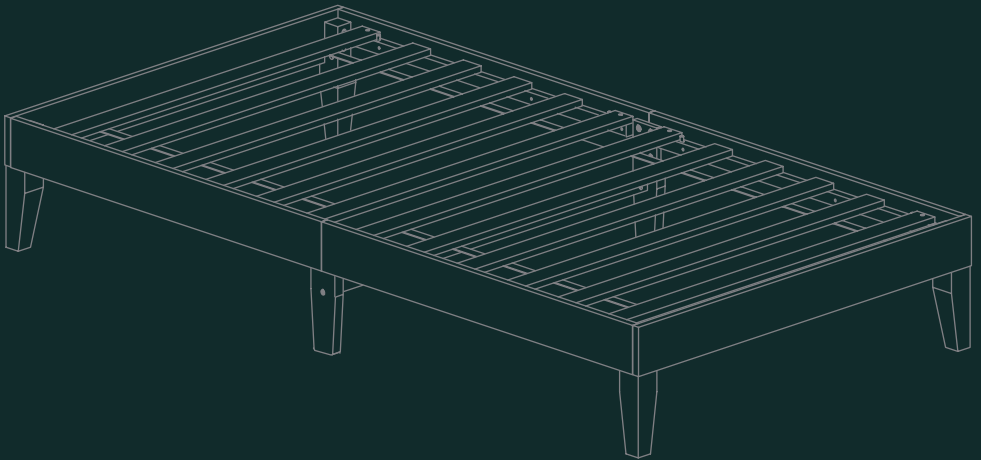


# INSTRUCTION MANUAL



## WARNING



**Please read the instructions carefully and follow the assembly steps.**

To ensure proper assembly, please follow all steps and use all parts provided. Not following this warning may result in serious injury to you or others.

To prevent misalignments, keep the screws loose and do not tighten them until they are all in their correct positions.

Avoid overtightening or forcing the screws, as this could cause them to break, strip, or damage the threads of the holes.

Using the wrong size of screws for a particular part could cause damage to the screw or the part.

Please lubricate all moving parts regularly and tighten all bolts and screws every 6 months, or as needed.

## SAFETY INFORMATION

**WEIGHT CAPACITY FOR SEATING: 500LBS**

## ASSEMBLY PARTS AND TOOL

BEFORE YOU GET STARTED, A FEW POINTERS:

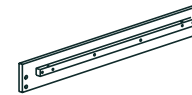


Having a friend to help makes assembly extra-easy



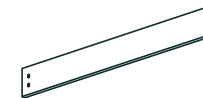
Please use the included wrench instead of an ELECTRIC HAND DRILL in case of damage to the product.

A



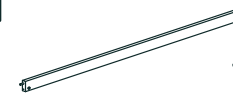
Right Side Board x2  
Left Side Board x2

B



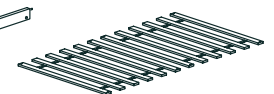
Bedhead Board \*1  
Bed tail Board \*1

C



Rung \*1

D



Bed Plank \*1

E



Right Corner Leg \*2  
Left Corner Leg \*2

F



Middle Leg \*2

1



Bolt 1/4\"/>

2



Bolt 1/4\"/>

3



Bolt 1/4\"/>

4



Spring Washer \*29  
Include 3pcs as Spare

5



Flat Washer \*29  
Include 3pcs as Spare

6



Wrench \*1

7



Cross-head Nut \*2

8



Self-taping Screw\*25mm \*9  
Include 1pc as Spare

9



Dowel\*25mm \*9  
Include 1pc as Spare

10



Dowel\*40mm \*2

PLEASE MAKE SURE ALL THE PARTS ARE INCLUDED.

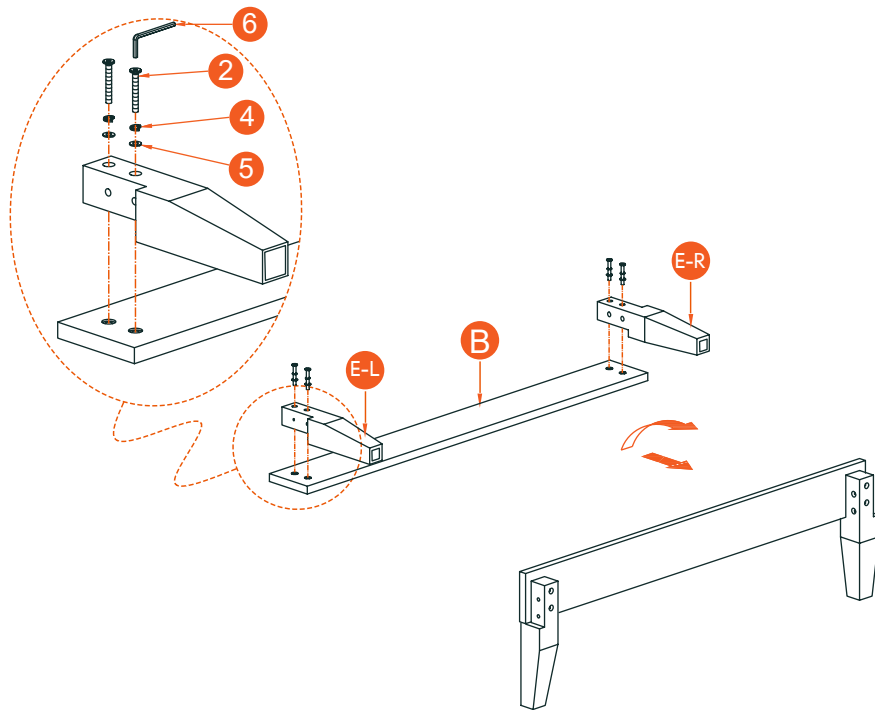
## ASSEMBLY INSTRUCTIONS

- Tips: 1. Please do not 100% tighten all the bolts until the beds fully assembled, just 50% is OK, make it has space to adjust the bed.  
2. All accessories(A-H) will be labeled.  
3. The labels of 'R' and 'L' are just to help you better assemble your bed, and do not really represent the difference between left and right.  
4. Please get yourself a phillips screwdriver.

### Step 1

Attach Left Corner Legs E and Right Corner Legs E to Bedhead Board B, using Four 1/4"\*45mm Bolts 2, Four Spring Washer 4 and Four Flat Washer 5, tighten by Wrench 6.

Note: Do the same way as Step 1 for the Bed tail Board B.

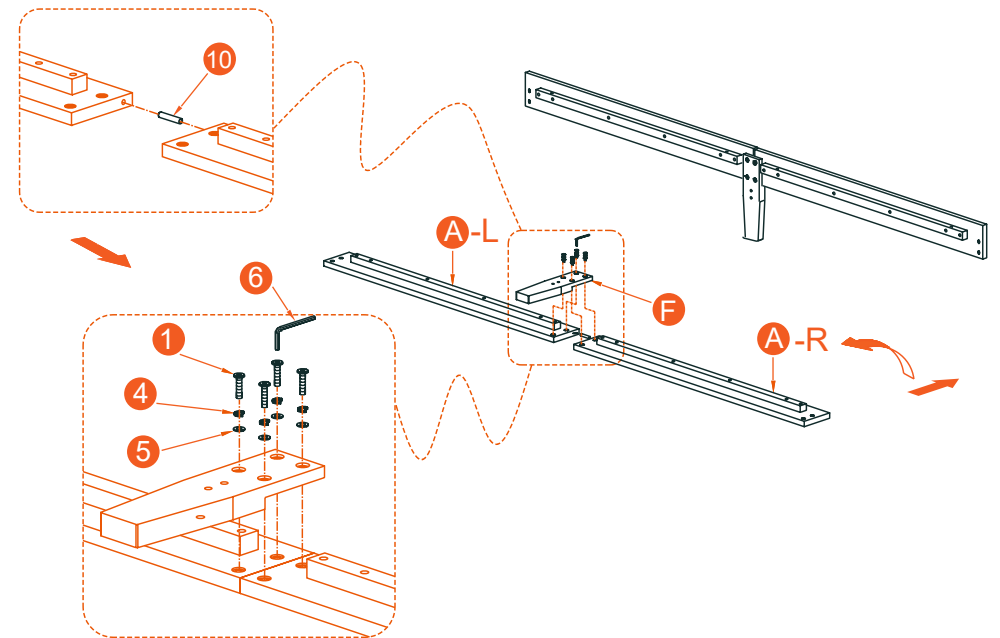


## ASSEMBLY INSTRUCTIONS

### Step 2

Use One Dowel\*40mm 10 to join One Left Side Boards A and One Right Side Boards A. Align the screw holes the side board and Middle Legs F, using Four 1/4"\*25mm Bolts 1, Four Spring Washer 4 and Four Flat Washer 5, tighten by Wrench 6.

Note: Do the same way as Step 2 for the other side board.

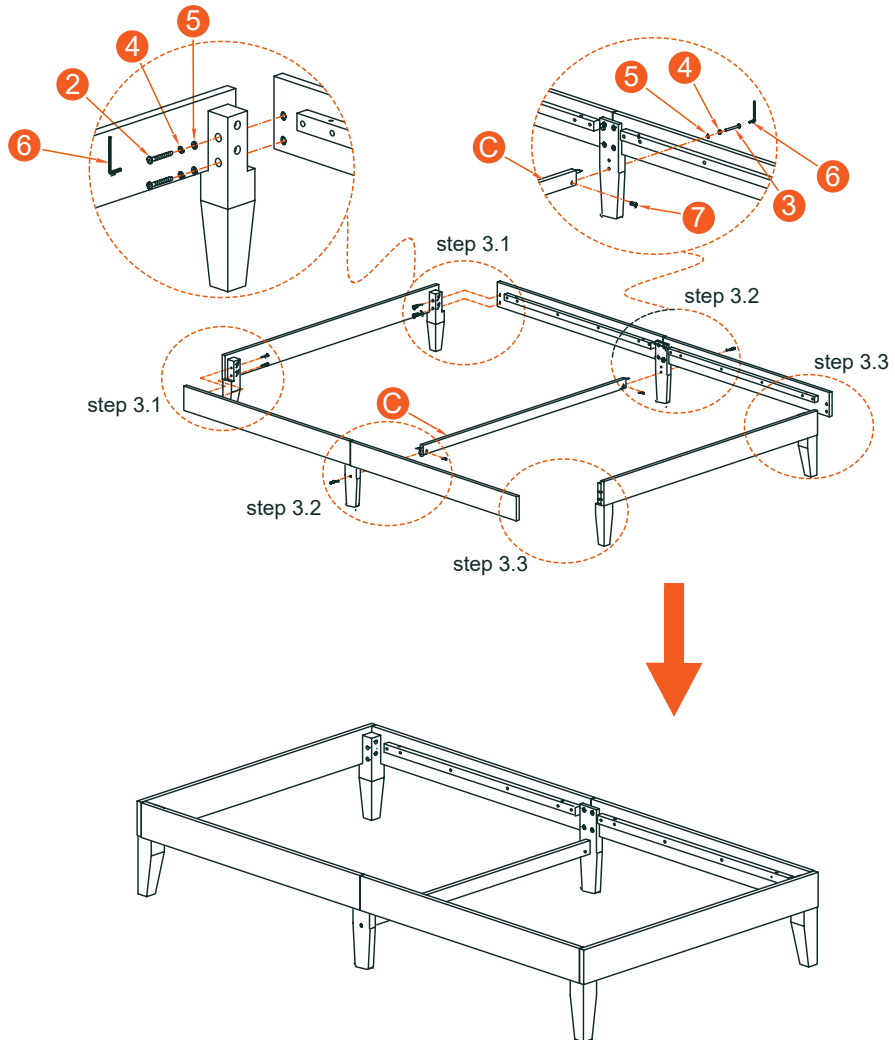


## ASSEMBLY INSTRUCTIONS

### Step 3

Place the installed boards and Rung C neatly on the floor

1. Align the screw holes on the installed side board with Corner Legs E, using Four 1/4"×45mm Bolts 2, Four Spring Washer 4 and Four Flat Washer 5, tighten by Wrench 6.
2. Insert Rung C into Middle Legs F. Then insert Two Cross-head Nuts 7 into Rung C, and align their holes, using Two 1/4"×55mm Bolts 3, Two Spring Washer 4 and Two Flat Washer 5, tighten by Wrench 6.
3. Do the same way as Step 3.1 for Step 3.3. Now the bed frame is assembled.

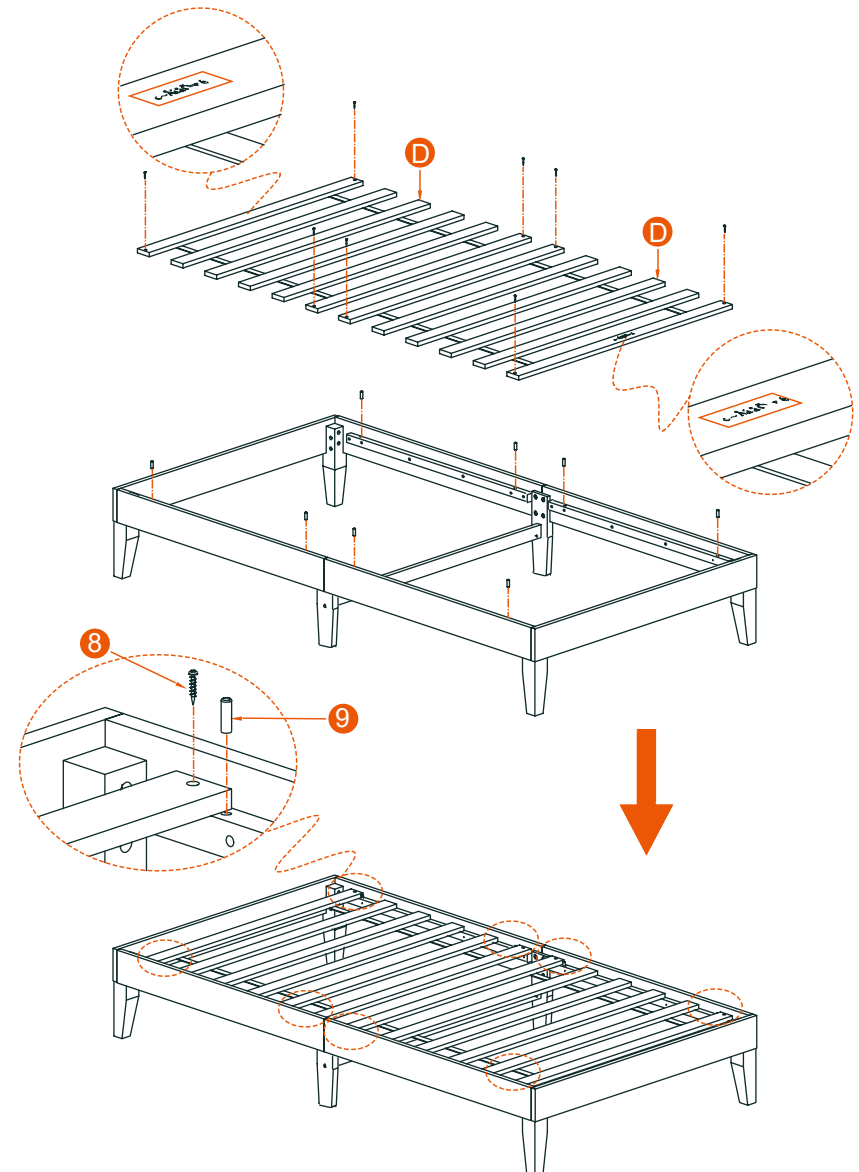


## ASSEMBLY INSTRUCTIONS

### Step 4

Insert Eight Dowel\*25mm 9 into the side boards, then put Bed Planks D into the bed frame, using Eight Self-taping Screws\*25mm 8, tighten self-taping screw by your own phillips screwdriver.

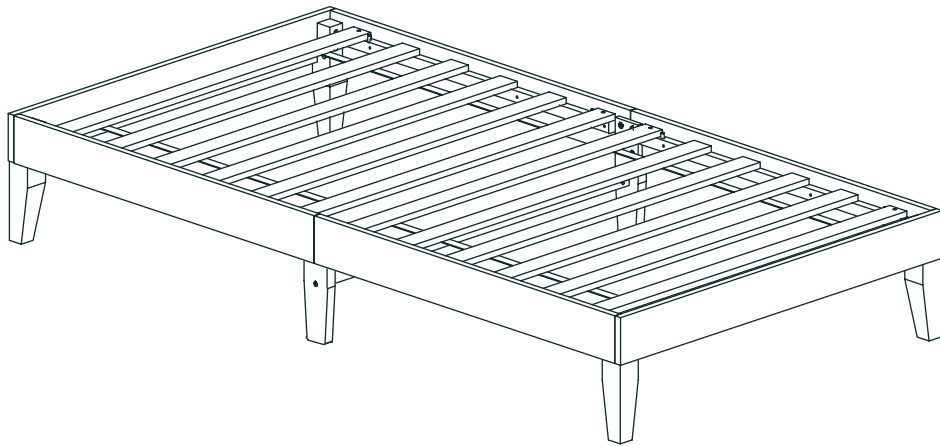
**Note:** Place Bed Planks D according to "Facing up" label directions.



## ASSEMBLY INSTRUCTIONS

### Step 5

Now your bed is successfully assembled.



## LIMITED WARRANTY

Promises to repair or replace any chair that is found to be defective in material or workmanship within one year from the date of original purchase so long as you, the original purchaser, still owns it. This is your sole and exclusive remedy. This warranty is subject to the provisions below.

---

This warranty does not apply and no other warranty applies to:

- Normal wear and tear, which are to be expected over the course of ownership.
- Misuse, abuse, or excessive use of the product.
- Modifications or attachments to the product that are not approved by COLAMY.
- Products that were not installed, used, or maintained in accordance with product instructions and warnings.
- Products used for rental purposes or unauthorized retail activities.