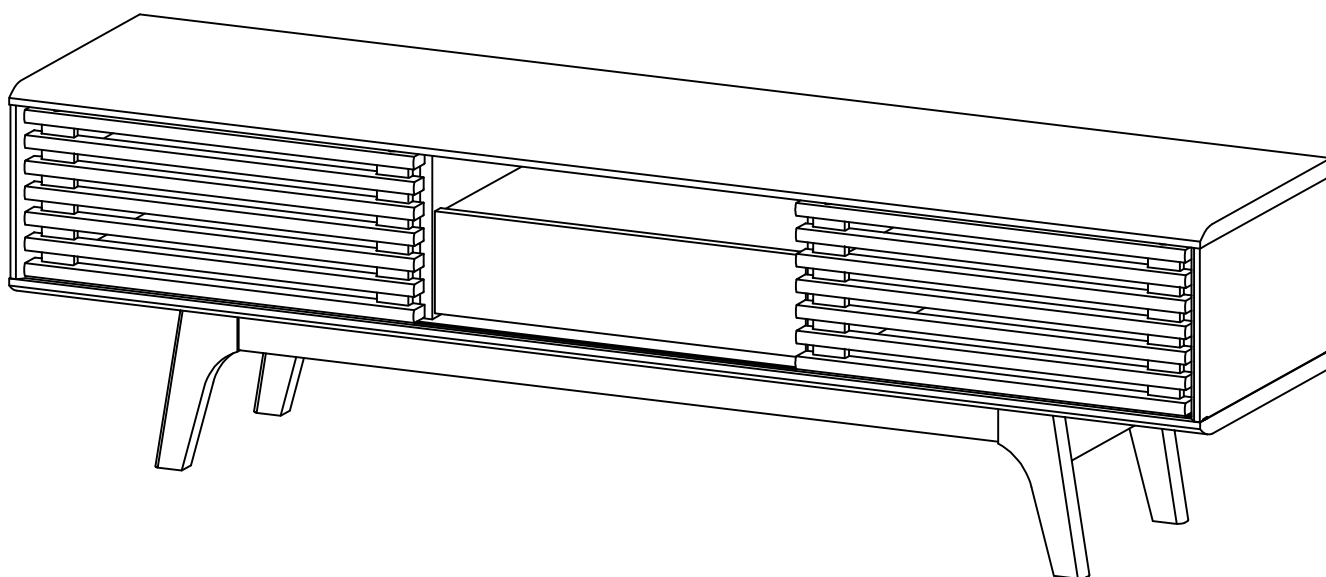


# Assembly Instructions

## TV Stand



Keep these instructions for future reference

# WARNING

Read instructions carefully. Check no parts are missing.

Assemble the furniture on a soft level surface to avoid damaging the furniture or your floor.

Carefully identify each component, especially those that are similar.

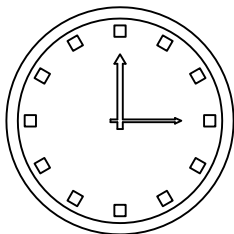
The most common mistake is getting things back to front.

Separate and identify each component from the hardware pack and rest each one in it's proper location before fastening.

We recommend furniture be assembled near where they will be placed, to avoid moving the product unnecessarily once assembled.

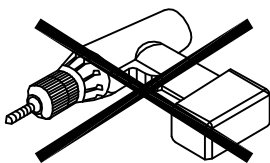
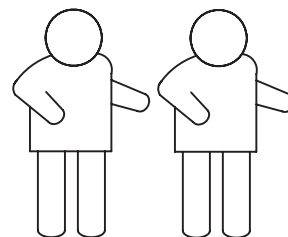
If there is a need to move the furniture, please remove all loose items and have extra hands to help lift the furniture to the desired location. Dragging the furniture will damage both the furniture and the floor.

Regularly check and re-tighten (if necessary) all bolts on furniture that you have assembled yourself.



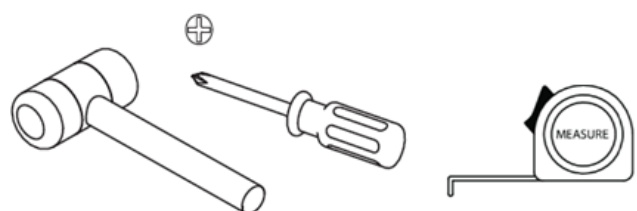
ALLOW 60 MIN

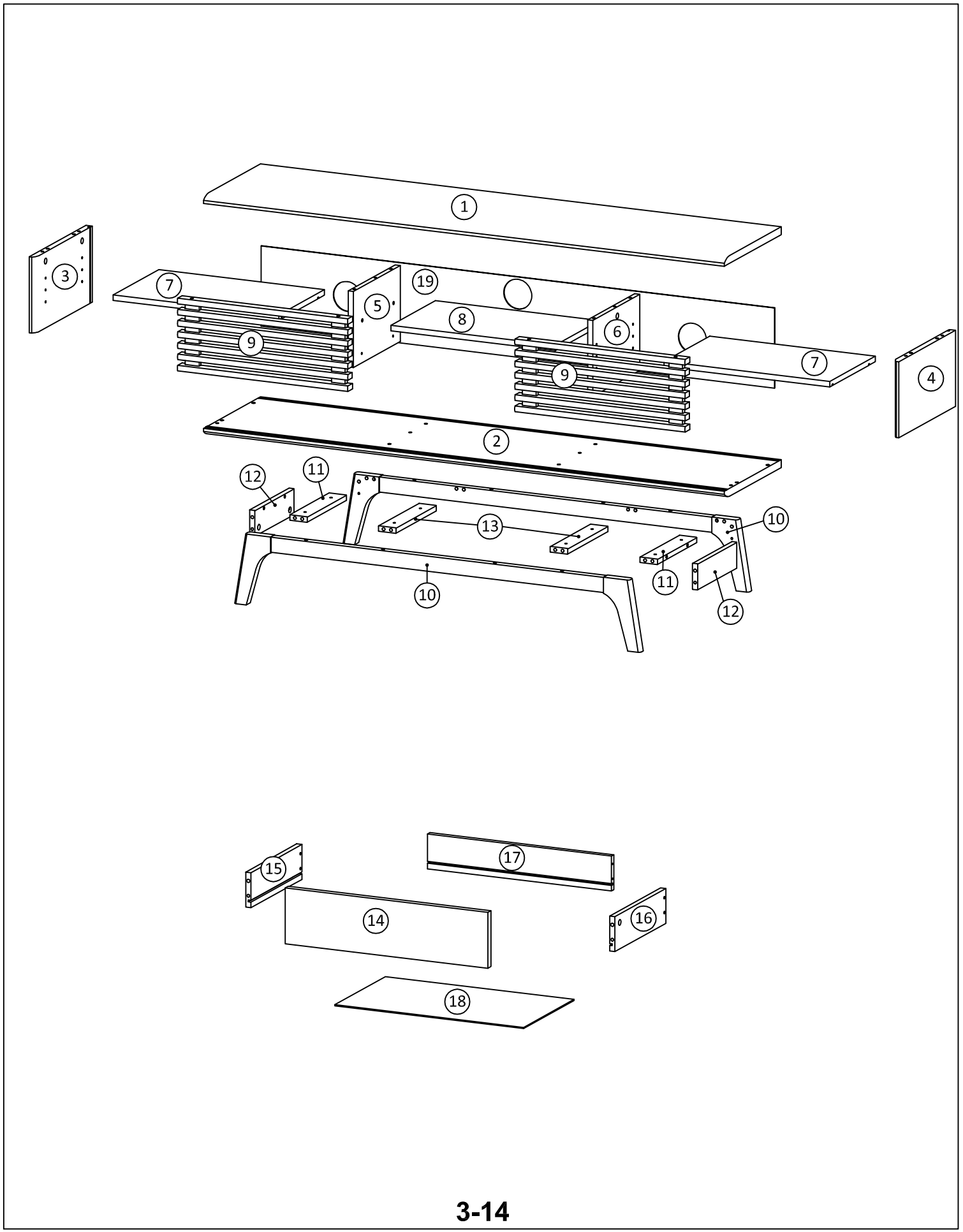
2 Persons Required



**DO NOT USE ON PRODUCT**

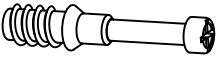




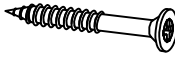




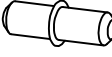




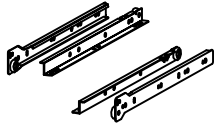



Tools Required



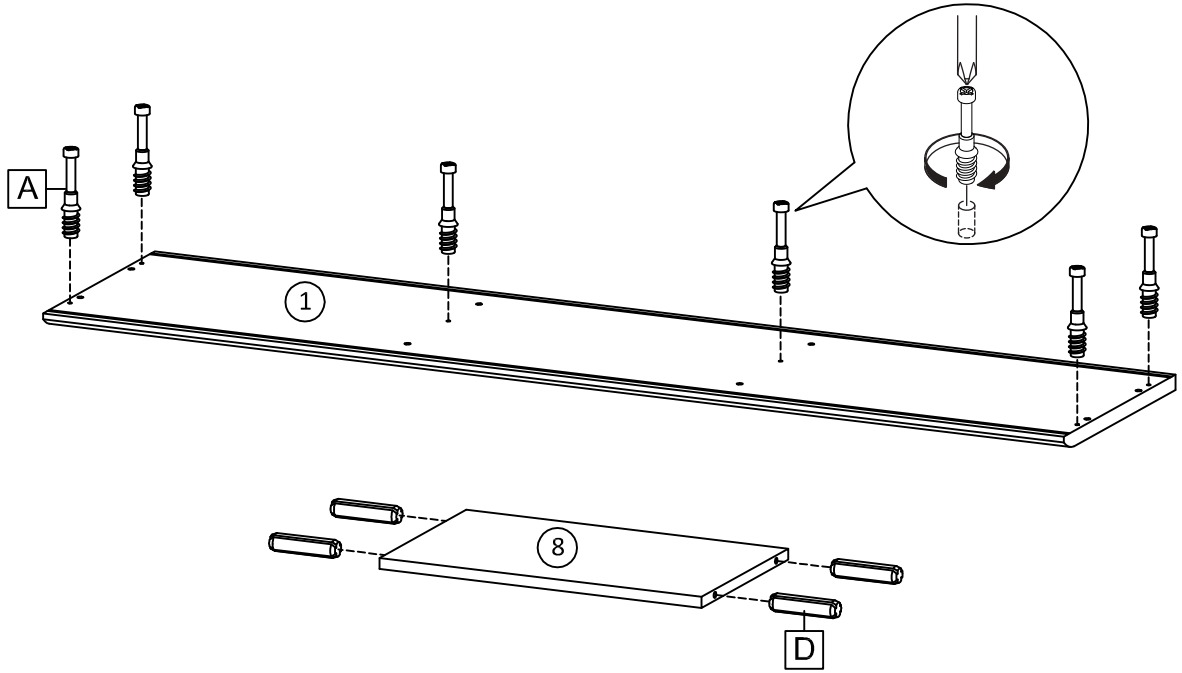


# CHECKLIST

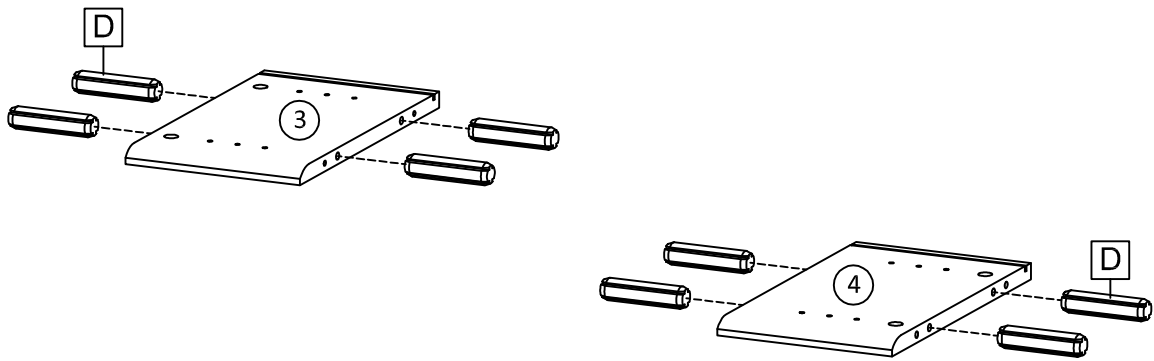


<p>A <input type="checkbox"/></p>  <p>Ø6x35 mm Ax12</p>	<p>B <input type="checkbox"/></p>  <p>Ø15 mm Bx10</p>	<p>C <input type="checkbox"/></p>  <p>Ø12 mm Cx2</p>	<p>D <input type="checkbox"/></p>  <p>Ø8x32 mm Dx52</p>	<p>E <input type="checkbox"/></p>  <p>Ø6x30 mm Ex2</p>
<p>F <input type="checkbox"/></p>  <p>M12x35 mm Fx8</p>	<p>G <input type="checkbox"/></p>  <p>M7x50 mm Gx6</p>	<p>H <input type="checkbox"/></p>  <p>L4 Hx1</p>	<p>I <input type="checkbox"/></p>  <p>9x10x14 mm Ix12</p>	<p>J <input type="checkbox"/></p>  <p>M3.5x15.5 mm Jx12</p>
<p>K <input type="checkbox"/></p>  <p>Ø5x15 mm Kx8</p>	<p>L <input type="checkbox"/></p>  <p>Ø8 mm Lx3</p>	<p>M <input type="checkbox"/></p>  <p>25x25x2 mm Mx4</p>	<p>N <input type="checkbox"/></p>  <p>Ø11x16 mm Nx4</p>	<p>O <input type="checkbox"/></p>  <p>Ø9.5x15 mm Ox4</p>
<p>P <input type="checkbox"/></p>  <p>250 mm Px1</p>	<p>Q <input type="checkbox"/></p>  <p>M6.5x10.5 mm Qx4</p>	<p>R <input type="checkbox"/></p>  <p>M3.5x13 mm Rx4</p>	<p>S <input type="checkbox"/></p>  <p>M8x39 mm Sx4</p>	

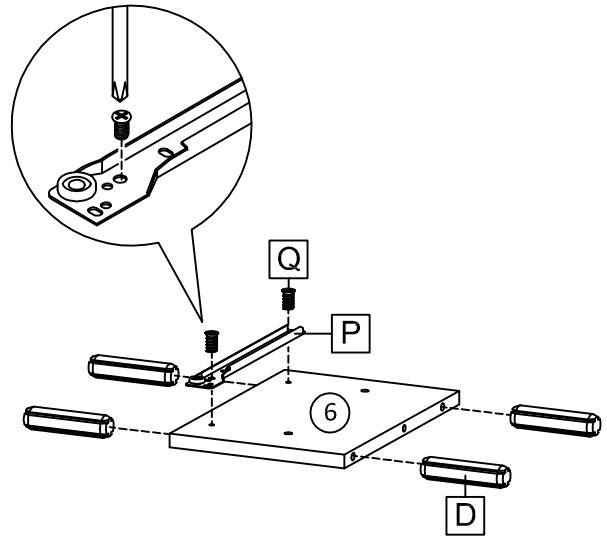
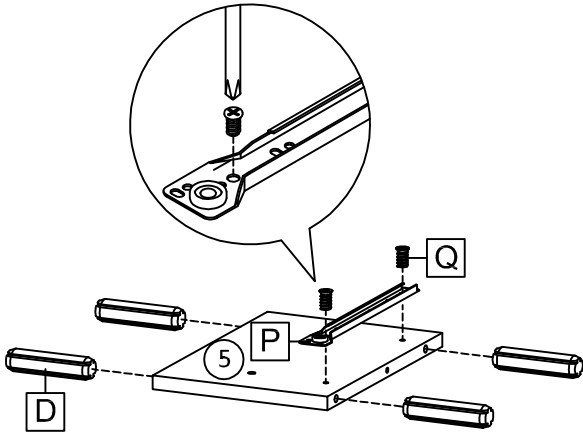
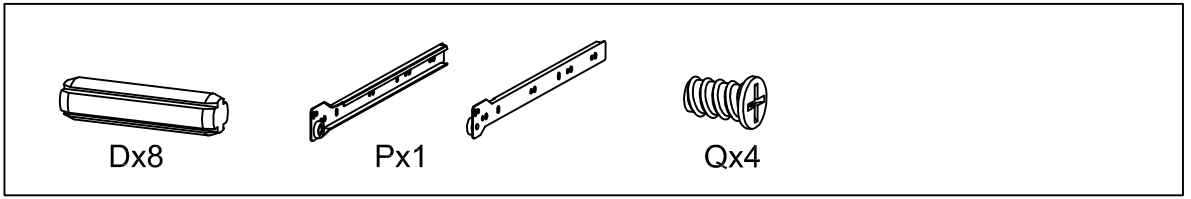
1



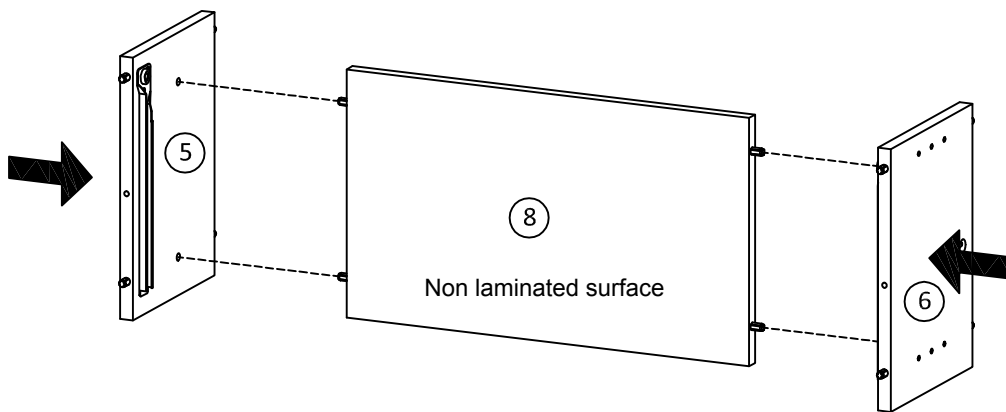
2



3



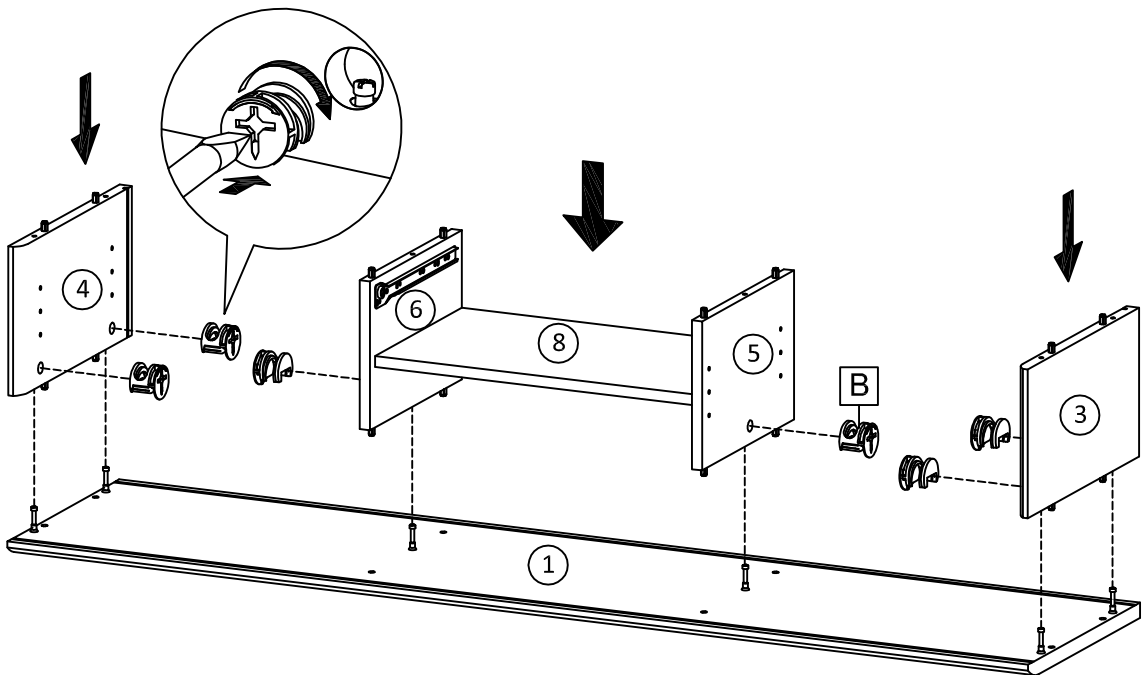
4



# 5



Bx6



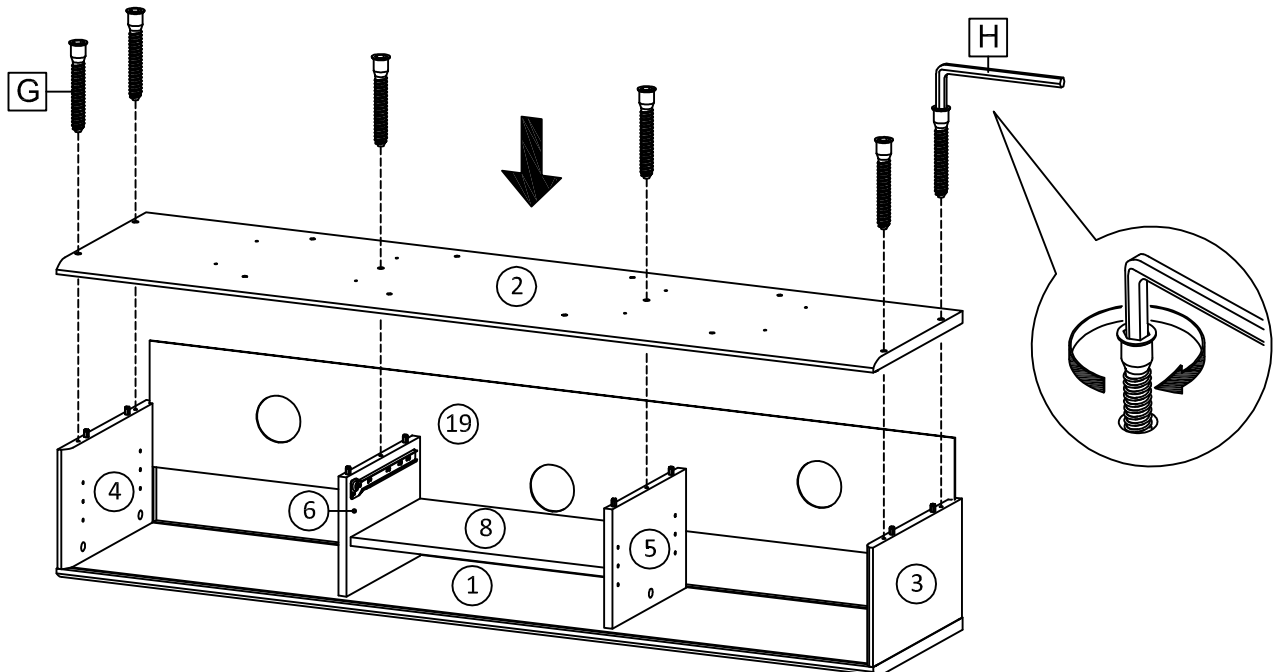
# 6



Gx6



Hx1



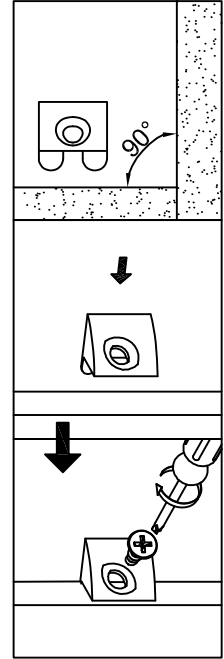
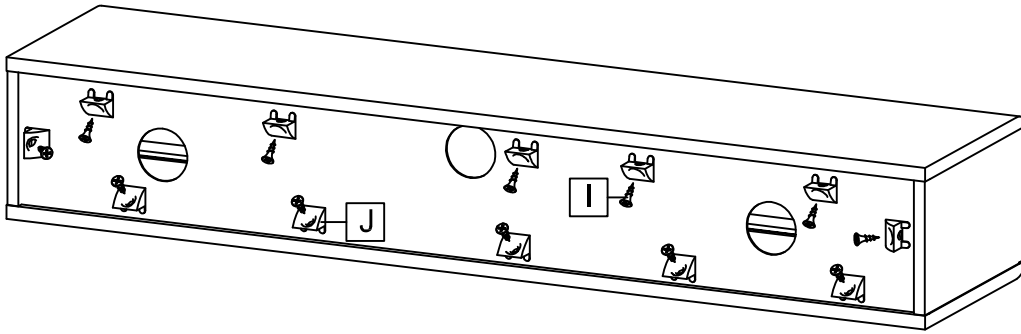
7



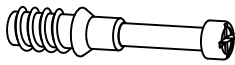
Ix12



Jx12



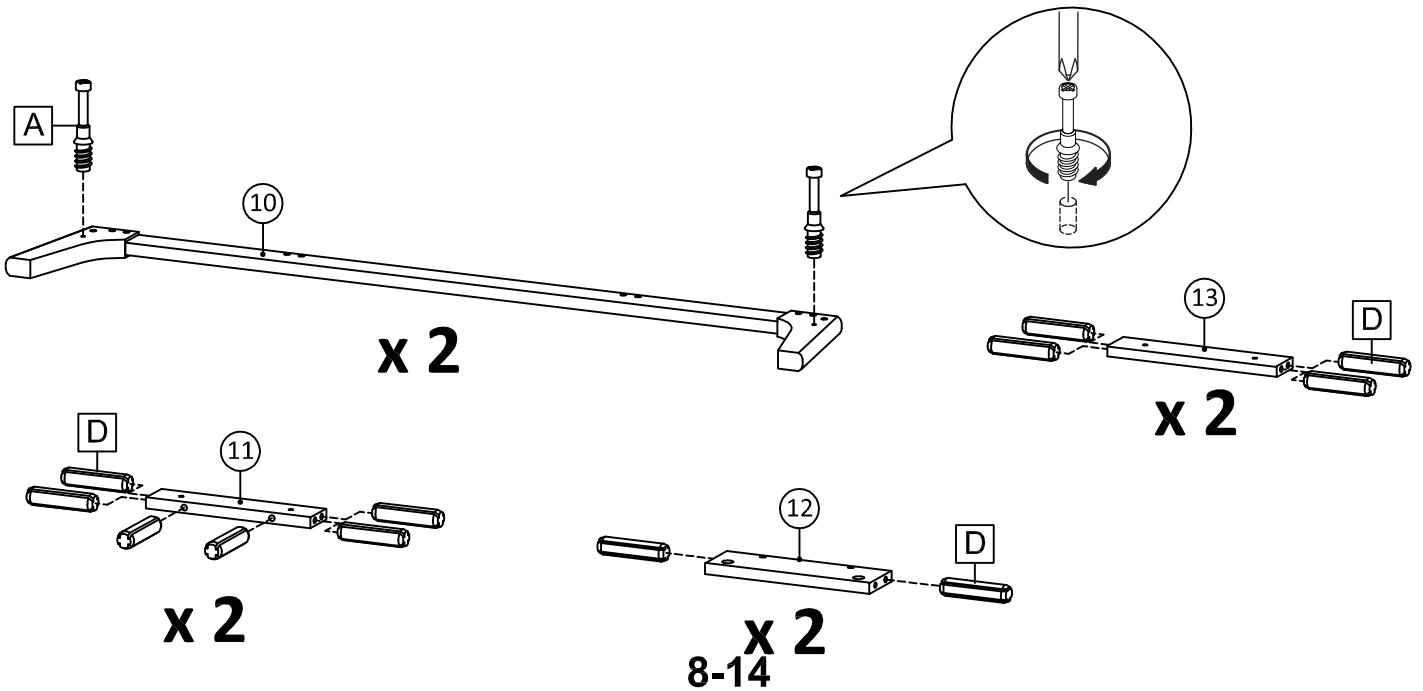
8



Ax4



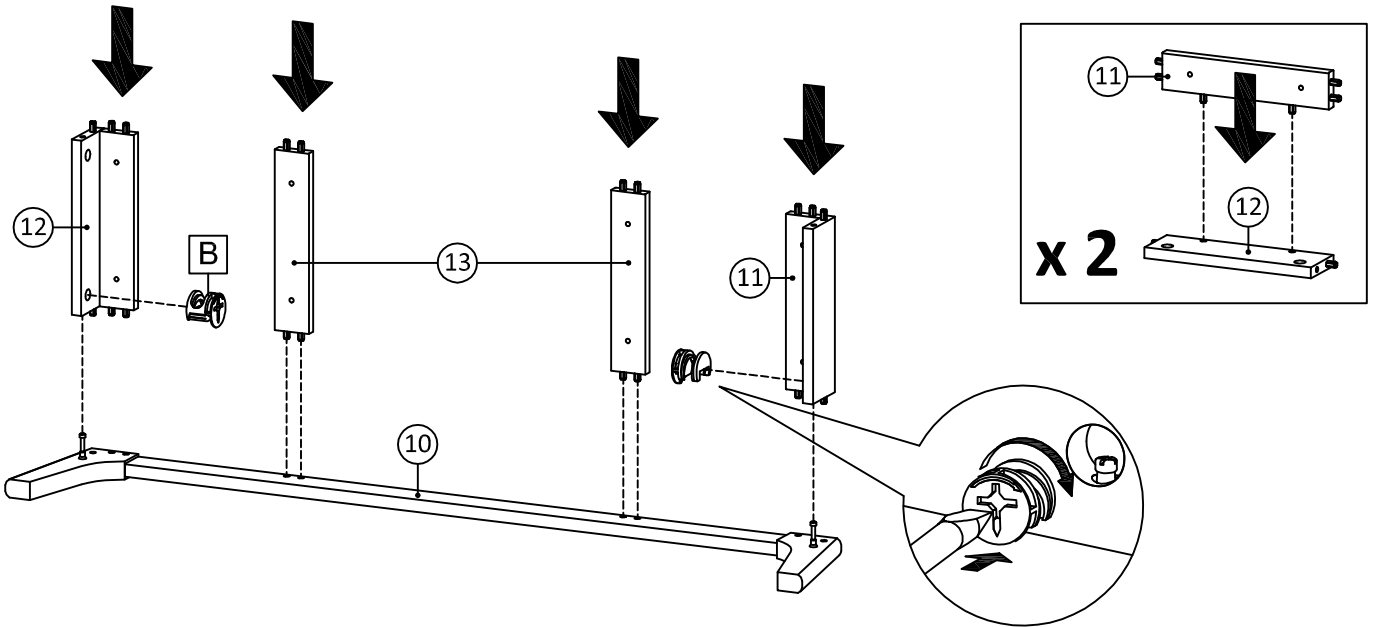
Dx24



9



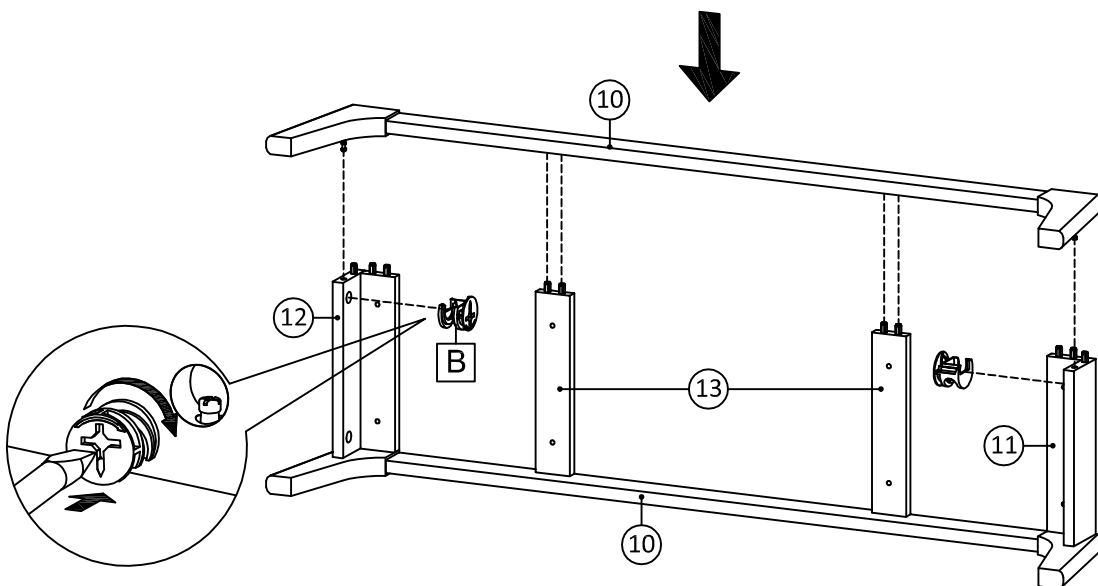
Bx2



10



Bx2

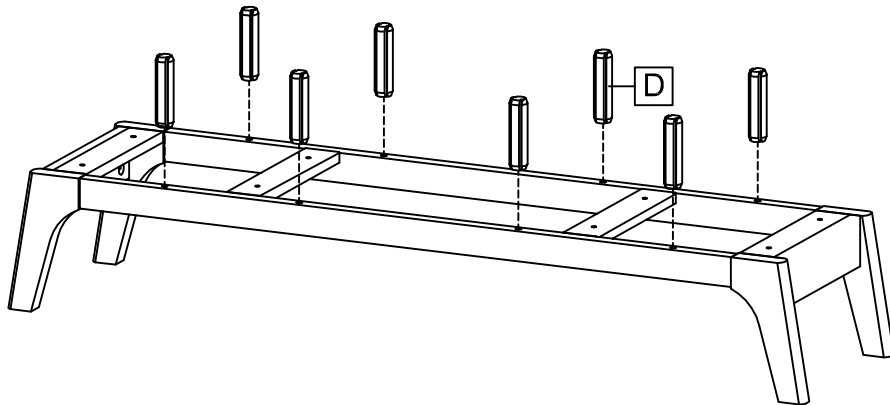


9-14

# 11



Dx8



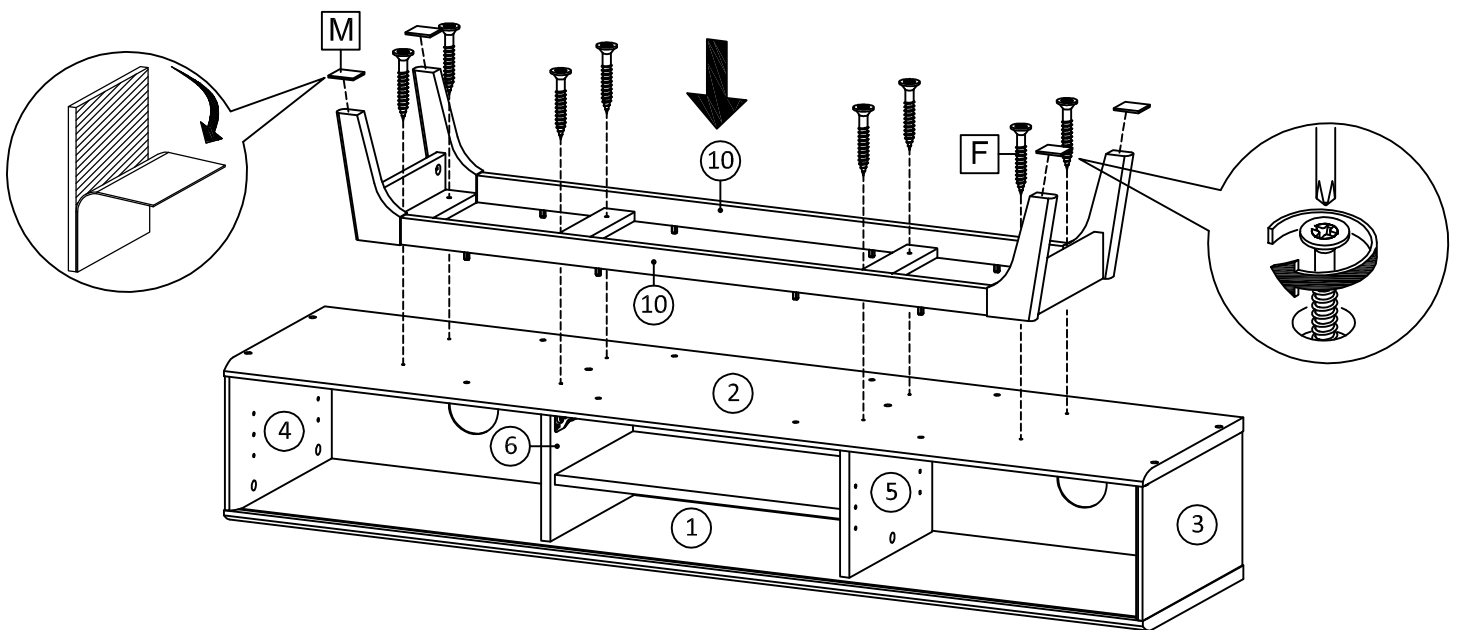
# 12



Fx8

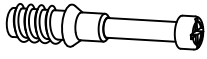


Mx4



10-14

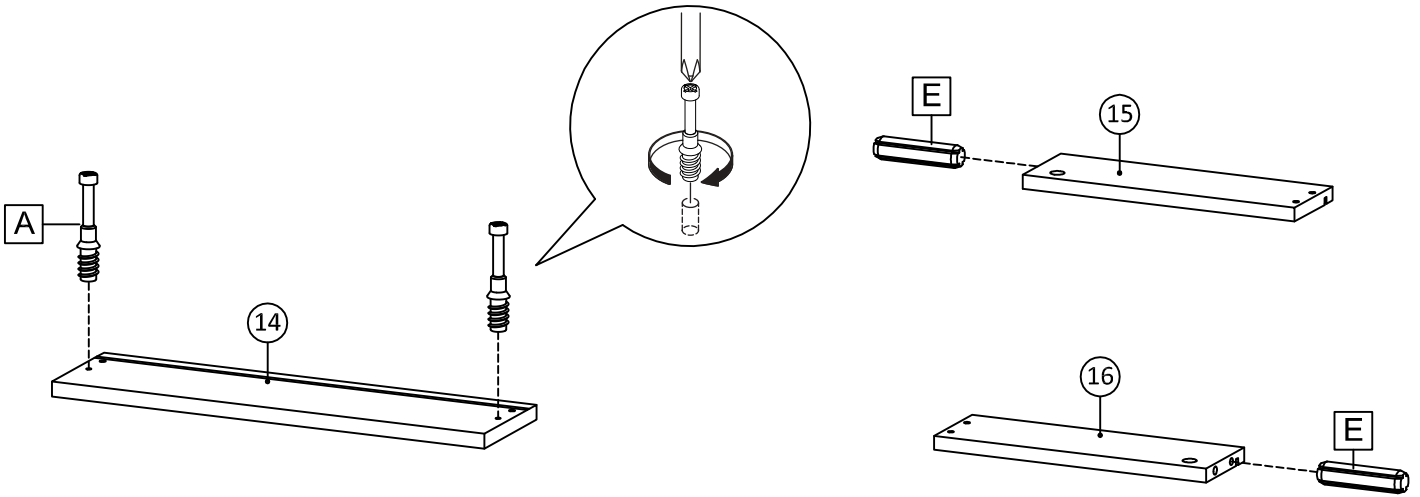
# 13



Ax2



Ex2



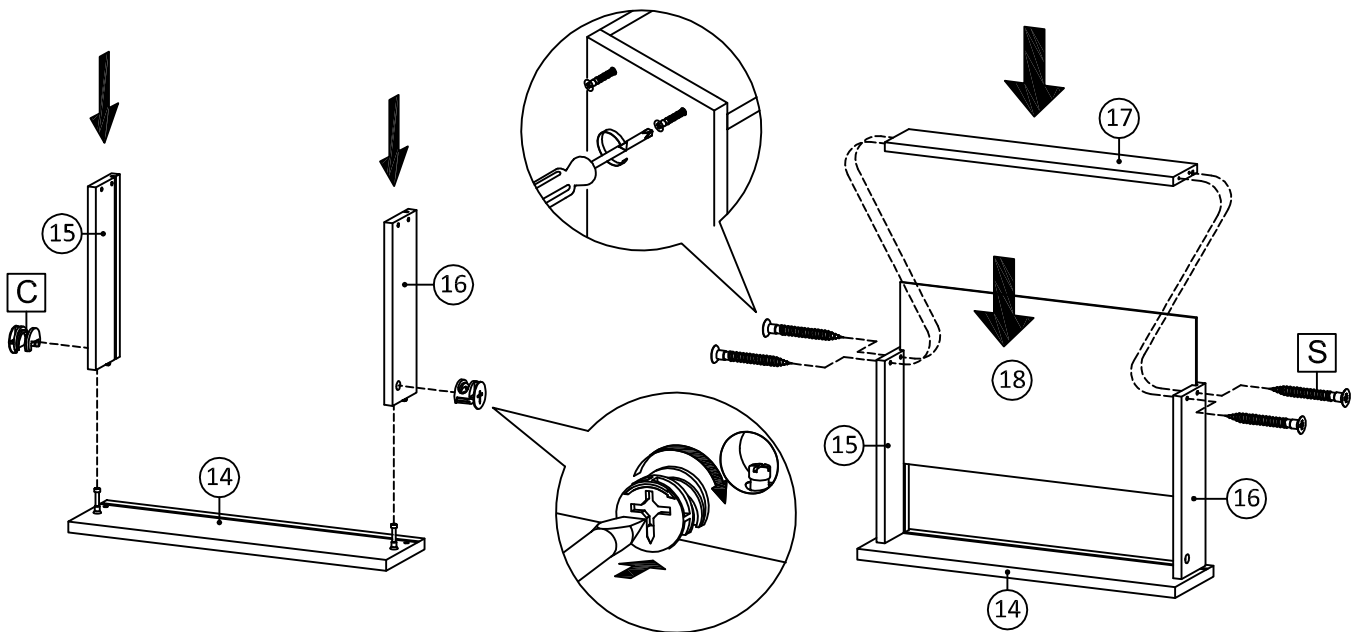
# 14



Cx2

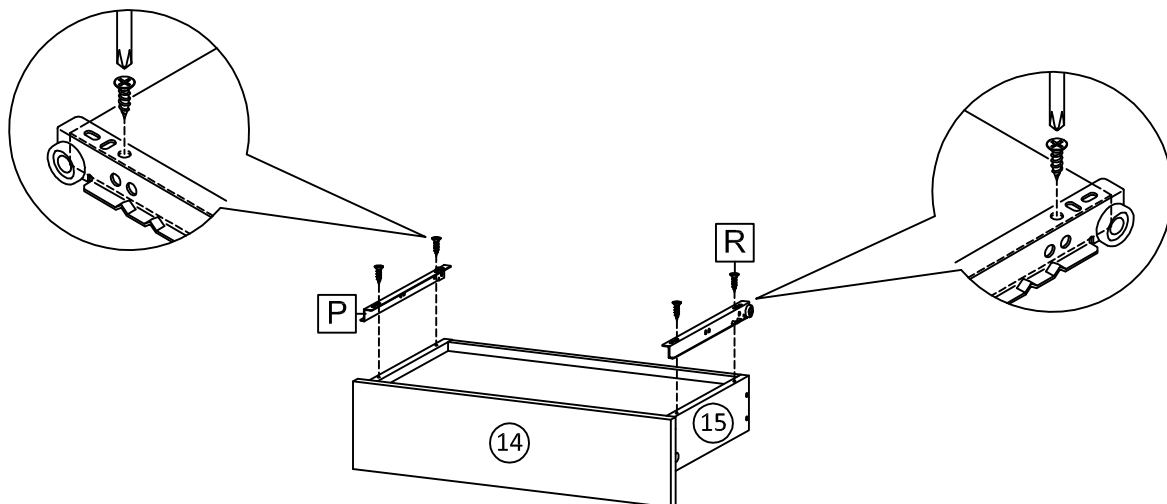


Sx4

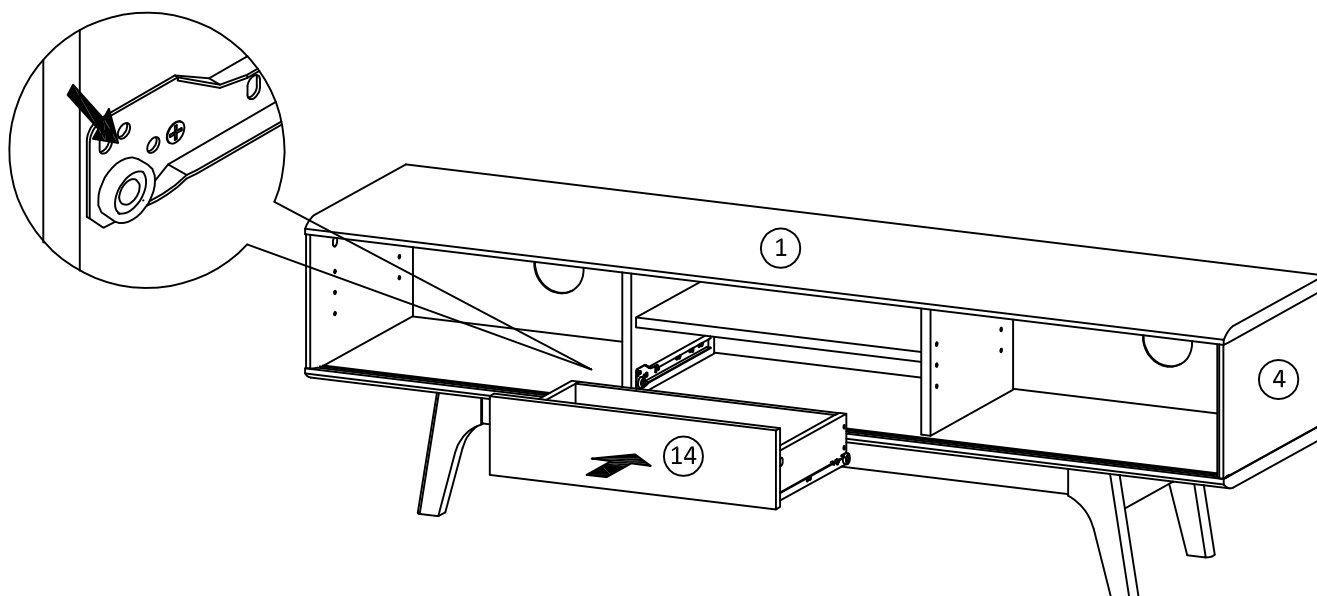


11-14

# 15

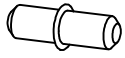


# 16

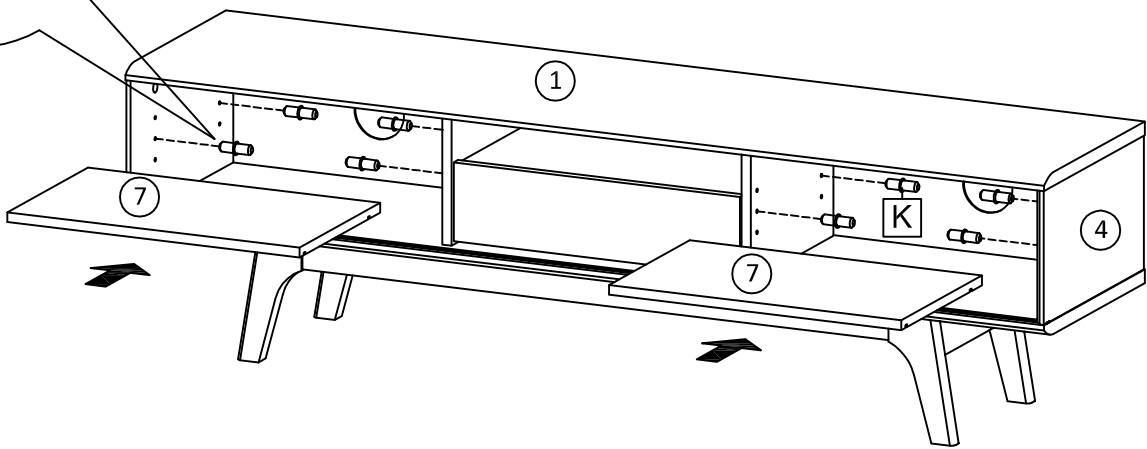
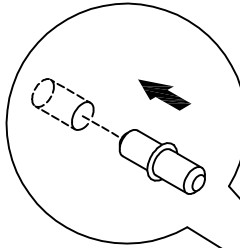


12-14

17



Kx8



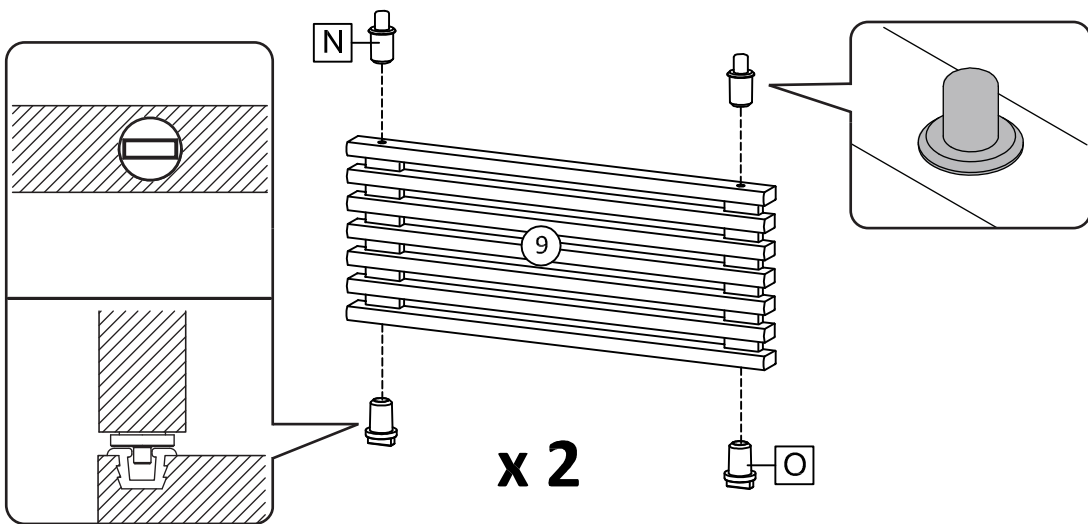
18



Nx4



Ox4



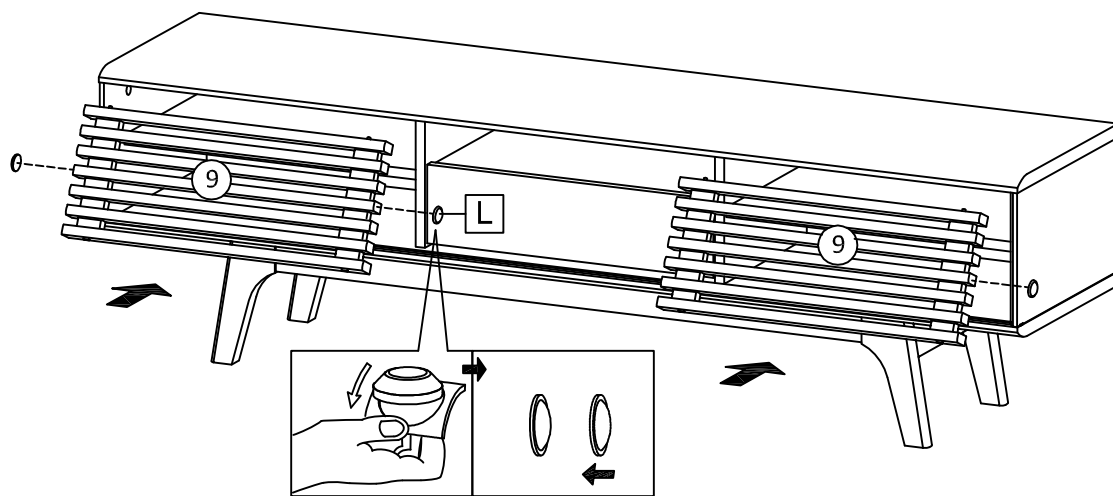
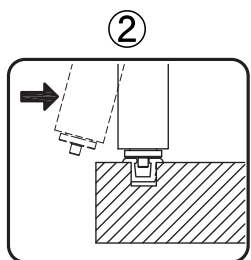
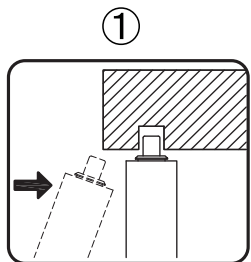
x 2

13-14

# 19



Lx3



# 20

