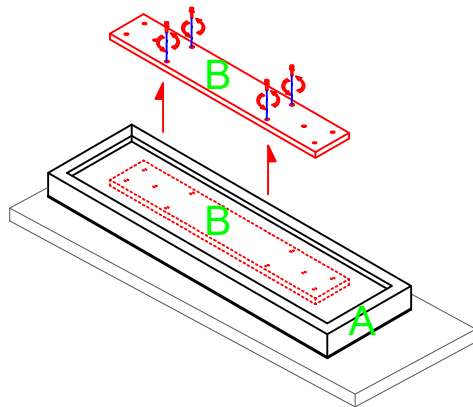


ASSEMBLY INSTRUCTION

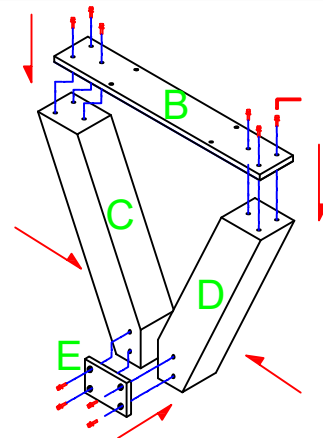
Code	Diagram	QTY	Code	Diagram	QTY
A&B		1pcs	F		1pcs
C		1pcs	G (Screws)		20pcs
D		1pcs	H (Screw spacer)		20pcs
E		1pcs	I (Allen wrench)		1pcs

Note:

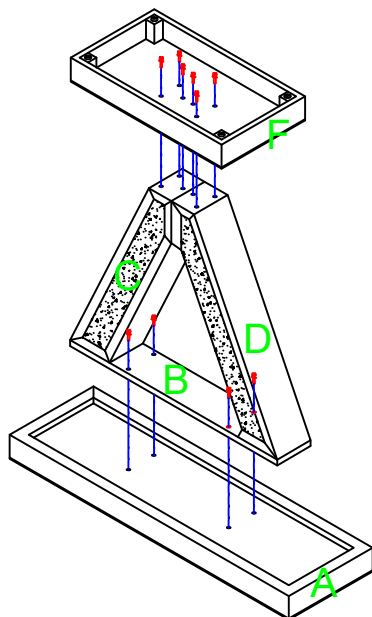
1. Do not directly place the sharp glass corner of the mirror to the floor, recommend to put some cardboard or cushions on the floor to avoid damage and scratches.
2. Must 2 people for assembling as the item is heavy.



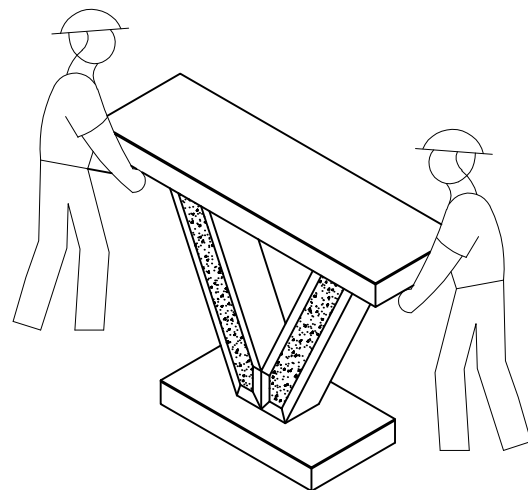
STEP 1. Place product on foam pad. Unscrew to separate Part B from Top A. Keep screws.



STEP 2. Attach Part E to back of C and D. Then secure Part B to top of C and D.



STEP 3. Mount B-C-D-E assembly to A. Finally, attach Part F to the complete structure.



STEP 4. Two people slowly lift the table upright.