

WARNING!!

Children have died from furniture tipover. Tip restraints have been included with this product; you must install the tip restraints according to these instructions in order to minimize the risk of furniture tipping.

NEVER allow children to climb or hang on furniture, including drawers or cabinet doors.

In addition to installing the restrains, to help prevent tip-over












1. **NEVER** put a TV or other heavy objects on top of this product".
2. Do not stand on the product

⚠ WARNING	
	<p>Children have died from furniture tipover. To reduce the risk of furniture tipover:</p> <ul style="list-style-type: none">• ALWAYS install tipover restraint provided.• NEVER put a TV on this product.• NEVER allow children to stand, climb or hang on drawers, doors, or shelves.• NEVER open more than one drawer at a time.• Place heaviest items in the lowest drawers.• Do not defeat or remove the drawer interlock system.
	<p><i>This is a permanent label. Do not remove!</i></p>

Assembly Instructions

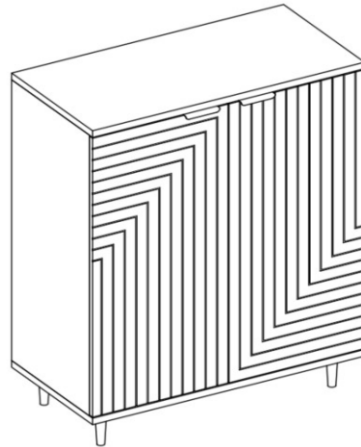
Caution : You must read this before you proceed

Care & Maintenance

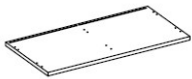



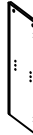
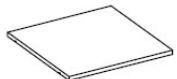
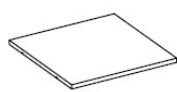
- ⊘  ● Not for commercial use. For residential use only.
 - ✓  ● Furniture may scratch floors. We recommend using furniture pads to protect your floors.
 - ⊘  ● Do not put hot items directly on furniture surface.
 - ⊘  ● Do not clean furniture with harsh cleansers or polish.
 - ⊘  ● Do not place furniture under direct sunlight.
 - ⊘  ● Do not place furniture near heating or cooling vents.
 - ⊘  ● Do not write on furniture without a padded barrier to protect the surface.
 - ⊘  ● Do not place furniture outside . For indoor use only.
 - ⊘  ● Stains may be removed with mild soap solution and damp cloth.
 - ⊘  ● Children should not climb or jump on the furniture.
- ✓  ● Dust and pick-up spills using a clean, non-colored, lint-free cloth.

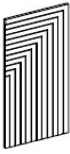



Please look in carton for hardware packs and legs.
Sets often ship in multiple boxes and may arrive a day or two apart.

Cabinet















Parts List





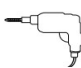
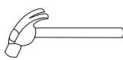
Label	Picture	Description	QTY
A		Top Panel(A)	1
B		Bottom Panel(B)	1
C		Left Side Panel(C)	1
D		Middle Side Panel(D)	1
E		Right Side Panel(E)	1
F		Left Adjustable Panel(F)	1
G		Right Adjustable Panel(G)	1

H		Left Door Panel(H)	1
I		Right Door Panel(I)	1
J		Back Panel(J)	2
K		Leg(K)	4

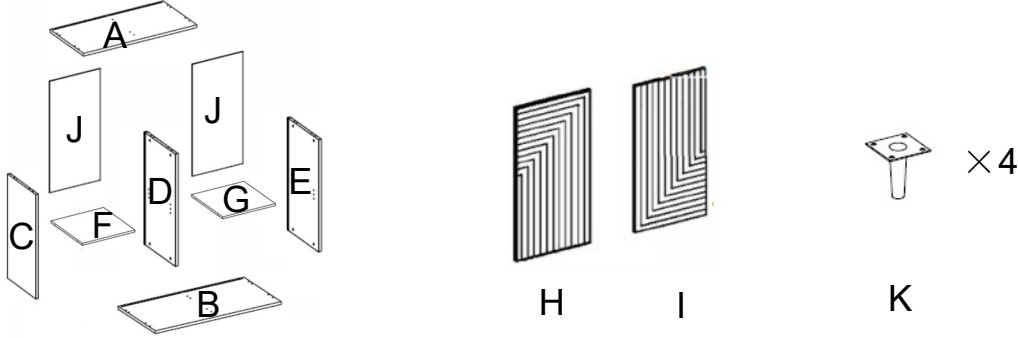

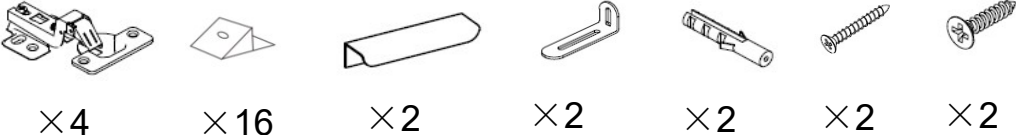
Hardware

Label	Picture	Description	QTY
①		Cam Bolt	6
②		Cam Nut	6
③		Bolt	16
④		Screw	6
⑤		Dowel	12
⑥		Shelf Support	8
⑦		Hinge	4
		Screw	24
⑧		Door Knob	2
		Back Botto	16
		Screw	16
		Allen Wrench	1

Restraint Device Hardware

⑪		Restraint Bracket	2
⑫		Wall Anchor Screw	2
⑬		Screw	2
⑭		Screw	2
⑮		Power Drill (Not provided)	1
⑯		Hammer (Not provided)	1

Assembly Preparation

<p>Before Beginning Assembly :</p>	
	
	



- Read instructions, cover to cover-



- Have 2 adults on hand for assembly-



- Do not assemble on flooring or carpet-



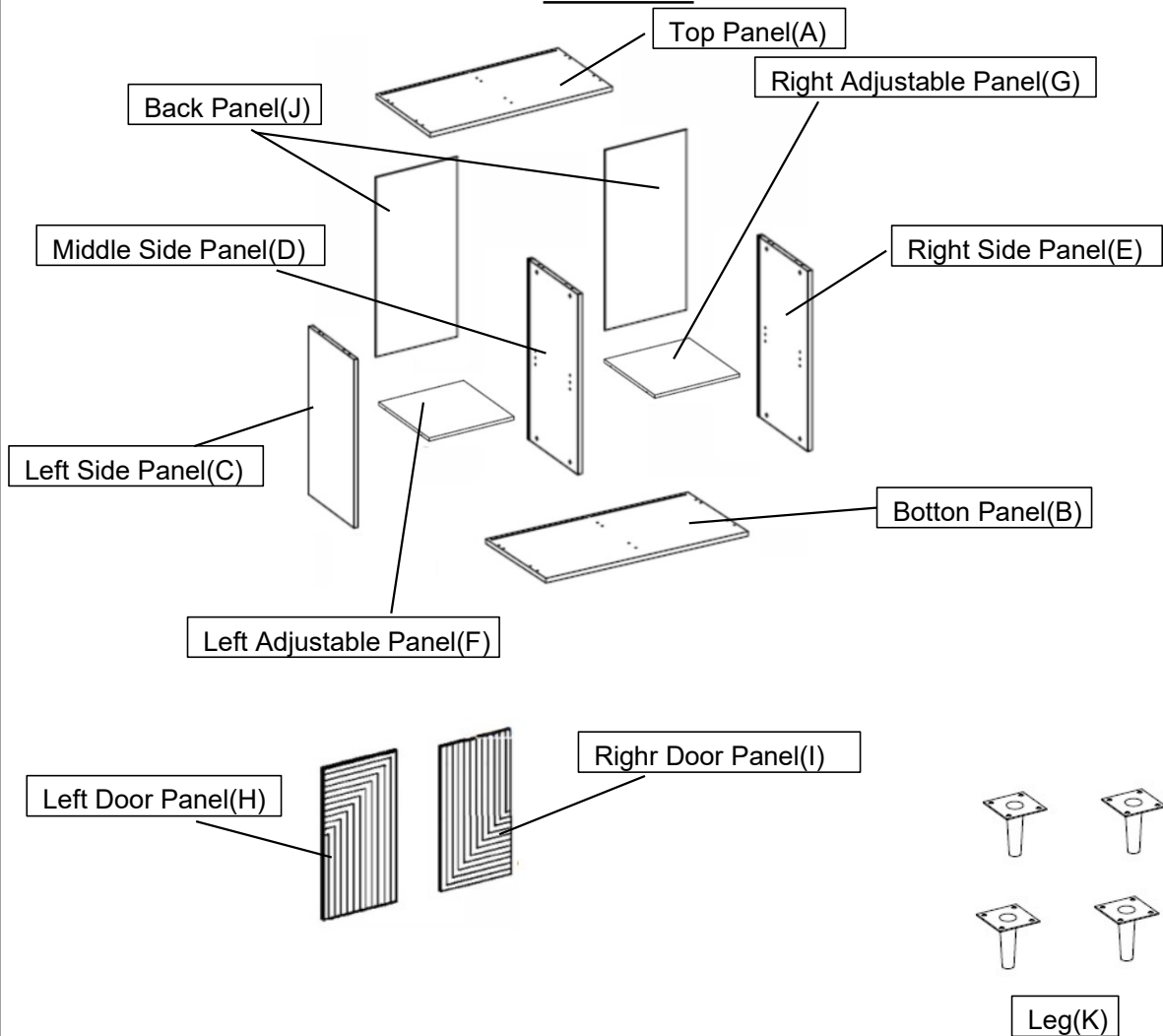
- Assemble on a clean non-marring surface (packing foam)-



- Save all packaging until finished-

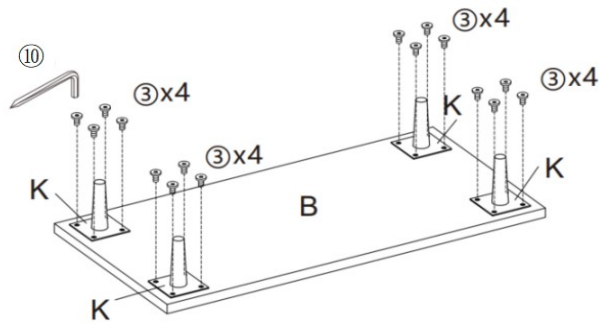
Assembly Steps

Overview



This Cabinet has multiple parts and may require up to some 60 minutes to assemble. To give you an overview of the Cabinet parts, the above picture is to help you put the various parts into perspective. Please read through the instructions below to familiarise yourself with the parts and steps before assembly.

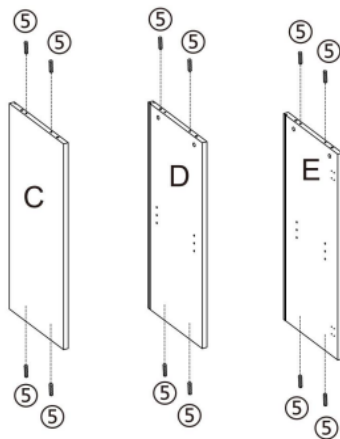
Step 1



③ × 16

Attach the Leg(K) to Bottom Panel (B) with Bolt(③) using Allen Wrench(⑩).

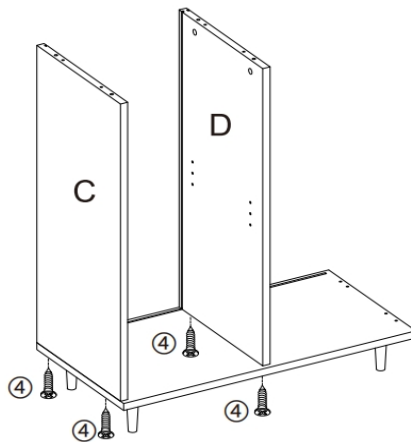
Step 2



⑤ × 12

Attach the Dowel(⑤) to Left Side Panel(C).
Repeat the previous steps to the Middle Side Panel(D), and Right Side Panel(E)

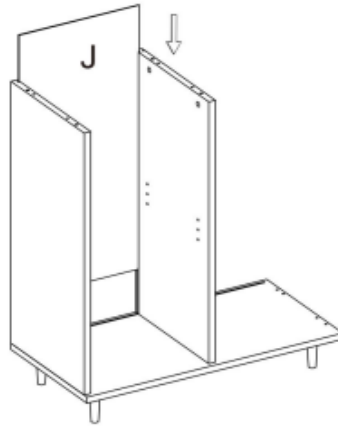
Step 3



④ × 4

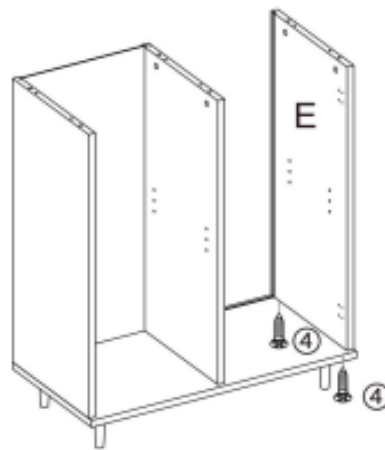
Insert Cam Nut() into Left Side Panel(C) and Middle Side Panel(D)
using Allen Wrench() turning anticlockwise until tight.

Step 4



Insert Back Panel(J) into the groove of Left Side Panel(C) and Middle Side Panel(D).

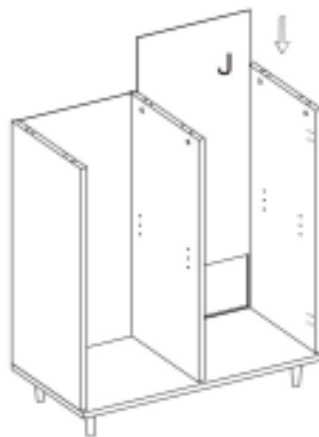
Step 5



④ × 2

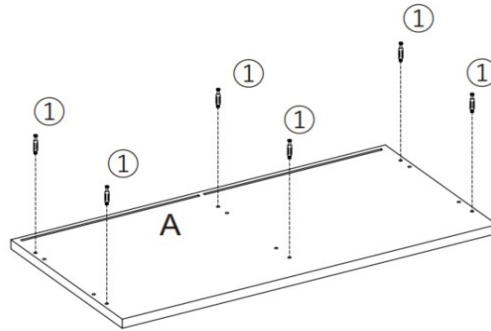
Insert Cam Nut() to Right Side Panel(E) using Allen Wrench(⑩) turning anticlockwise until tight.

Step 6



Insert another Back Panel(J) into the groove of Middle Side Panel(D) and Right Side Panel(E)

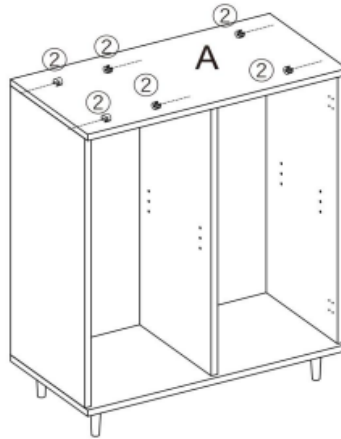
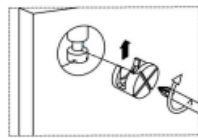
Step 7



① × 6

Attach Cam Bolt(①) to Top Panel(A)

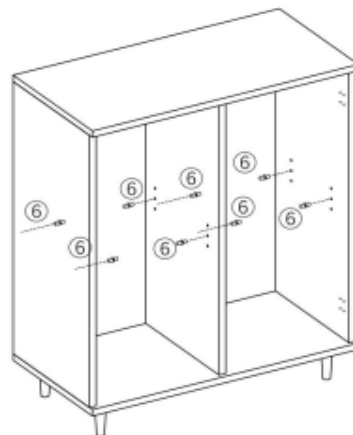
Step 8



② × 6

Insert Cam Nut(②) into the mounting positions on Top Panel(A) using Allen Wrench(⑩) turning clockwise until tight.

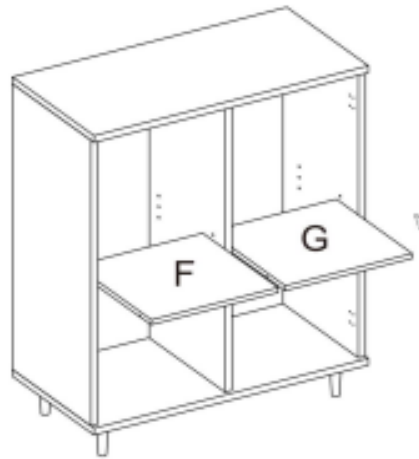
Step 9



⑥ × 8

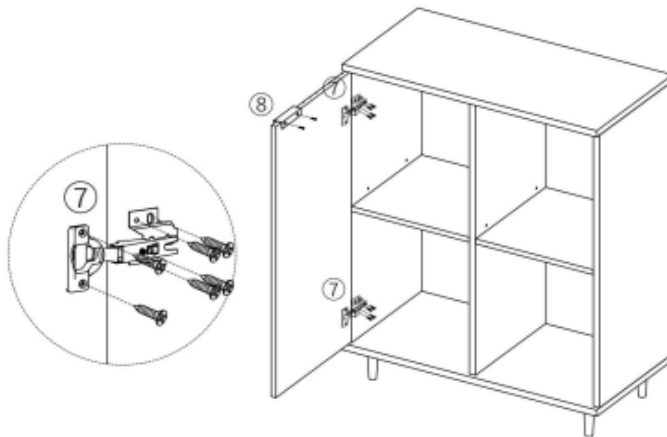
Inset Shelf Support() into Left Side Panel(C) , Middle Side Panel(D) and Right Side Panel(E)

Step 10



Put Left Adjustable Panel(F) and Right Adjustable Panel(G) on the Shelf Support(⑥)

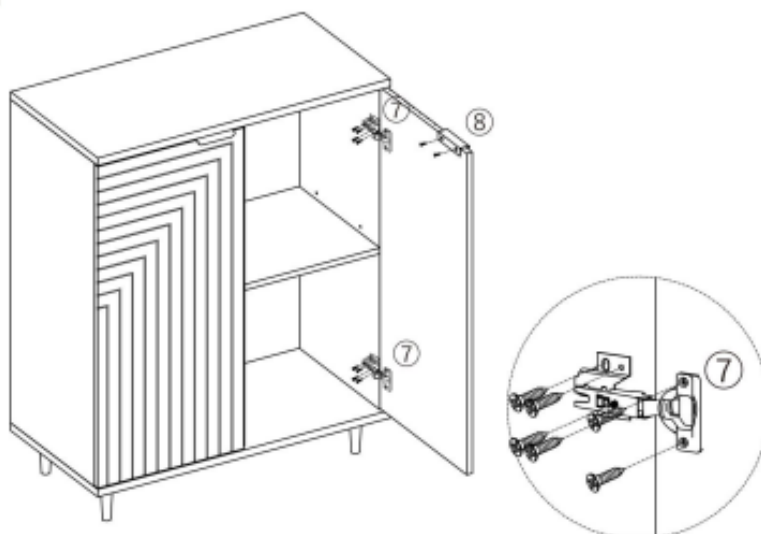
Step 11



⑦×2
⑧×1

11.1 Attach the Left Door Panel(H) to Left Side Panel(C) and Left Door Panel(H) with Hinge(), Screw using Allen Wrench().
11.2 Attach the Door Knob() to Left Door Panel(H) with Screw using Allen Wrench().

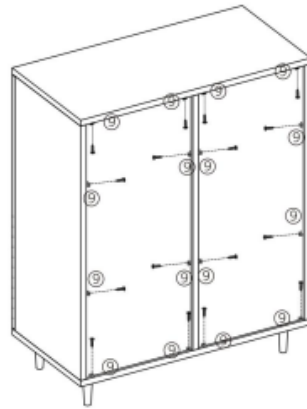
Step 12



⑦×2
⑧×1

12.1 Repeat the previous steps to Right Door Panel(I).

Step 13



⑨ × 16

Attach Back Botton(⑨) to Back Panel(J) using AllenWrench(⑩).

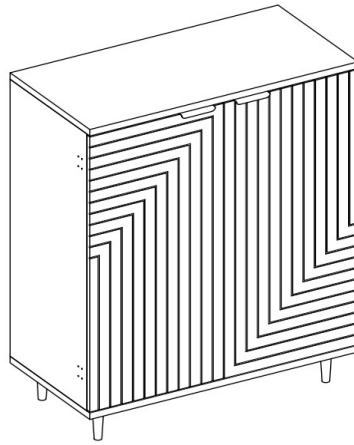


WARNING

Serious or fatal crushing injuries can occur from tipping furniture.
 To help prevent tip-over: **ALWAYS** secure this furniture to the wall using
 Cabinet Restraint Device.
 See product instructions for more ways to help prevent furniture tip-over.

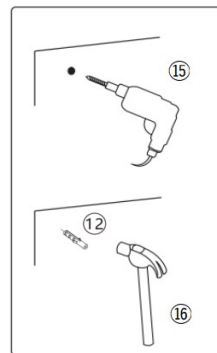
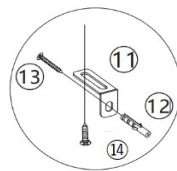
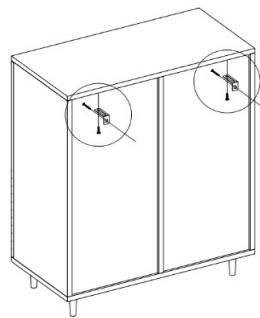


Step 14



Your Cabinet is ready for use

Step 15



- ⑪ × 2
- ⑫ × 2
- ⑬ × 2
- ⑭ × 2

16.1 Drill two mounting positions on the wall with Power Drill(⑮), insert Wall Anchor Screw(⑫) into drilled mounting positions on the wall with Hammer(⑯). Move the cabinet back to the wall, lock by Screw(⑬) and Restraint Bracket(⑰) with Allen Wrench(⑩).

16.2 Attach Restraint Bracket(⑰) to Top Panel(A) with Screws(⑭) using Allen Wrench(⑩).