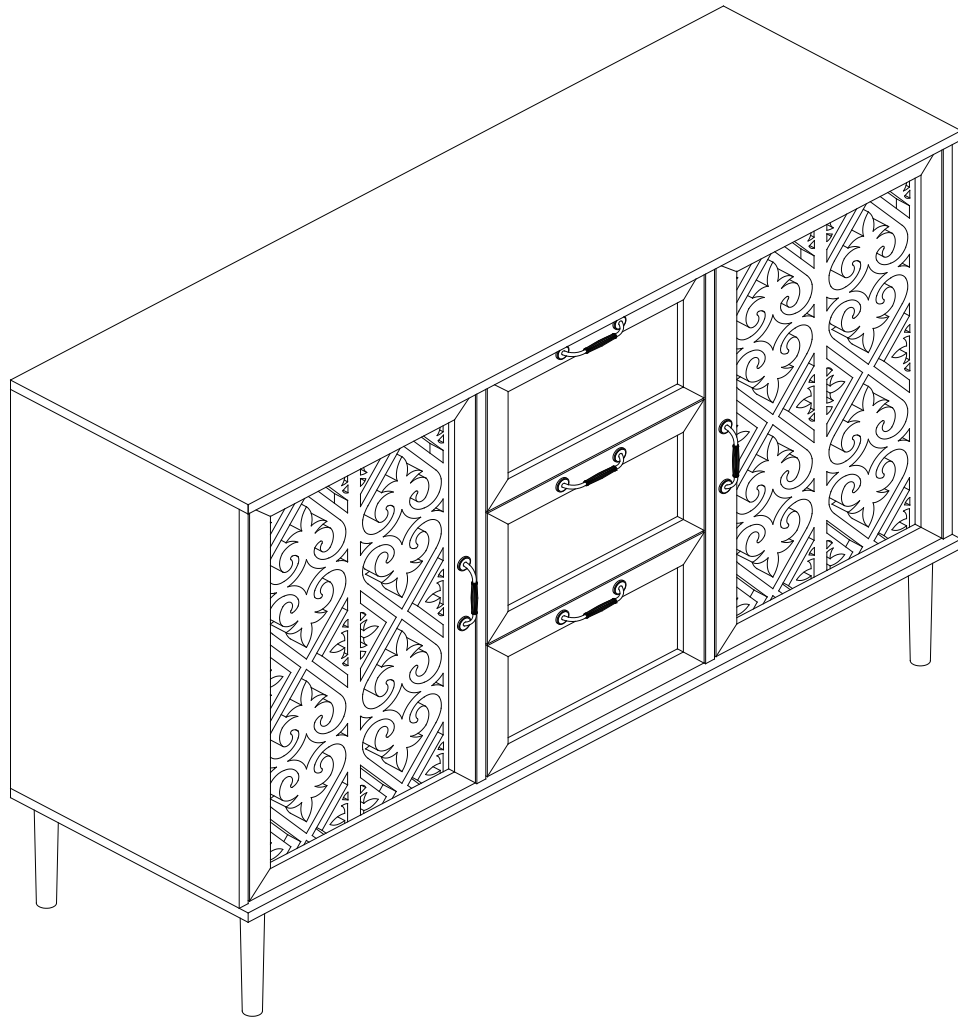


Installation Instruction



Product Name

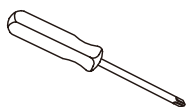
2 Door 3 Drawer Cabinet

Ver.1.0 20230810

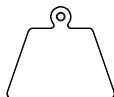
Assembling

What you need

- Use the packaging carton as a working surface to prevent product damage during assembly
- Phillips head screwdriver



Weight Limitation



50 | **20** | **11**
lbs table top | lbs per shelf | lbs per drawer

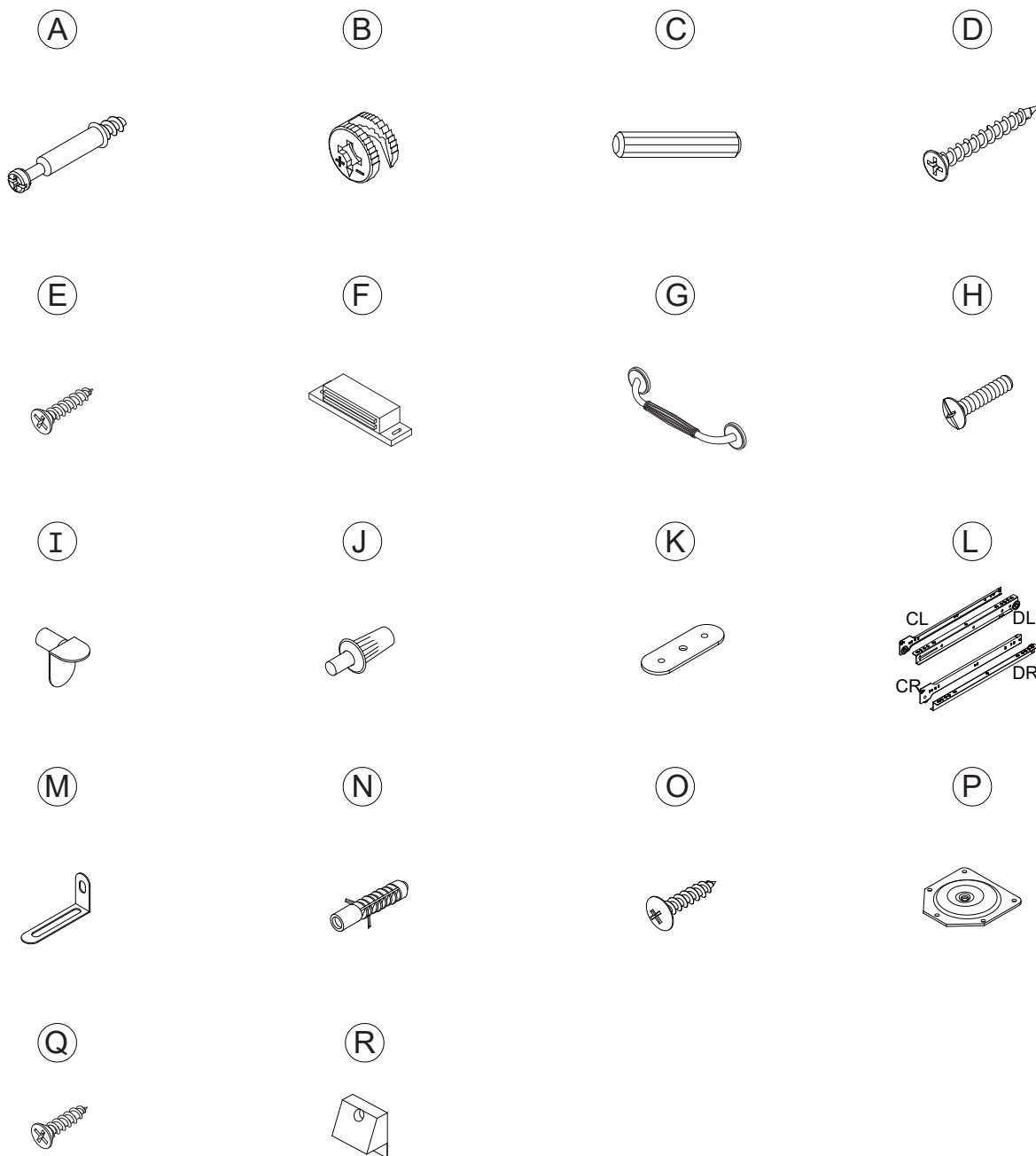


2 PERSONS

What 's included

Code	Description	Qty
A	Cam Bolt M6X35MM	28
B	Cam Lock 15X10MM	28
C	Wooden Dowel M6X30MM	18
D	Screw M4X35MM	26
E	Screw M3X14MM	24
F	Magnetic Door Catcher	4
G	Handle	5
H	Bolt M4X18MM	10
I	Metal Support	8
J	Metal Pin	4
K	Door Metal Plate	4
L	Slide Sets	3
M	Metal Plate	2
N	Anchor M6X30MM	2
O	Screw M4X14MM	27
P	Metal Pin	5
Q	Screw M3X12MM	36
R	Plastic Corner Support	12

The hardwares



IMPORTANT:

1. Do not tighten bolts / screws completely until all bolts / screws are lined up and inserted into holes.
2. Do not over tighten screws and bolts to avoid stripping.
3. Please use hand tools to assemble this product. Do not use power tools.
4. Must need 2 people to assemble this product.

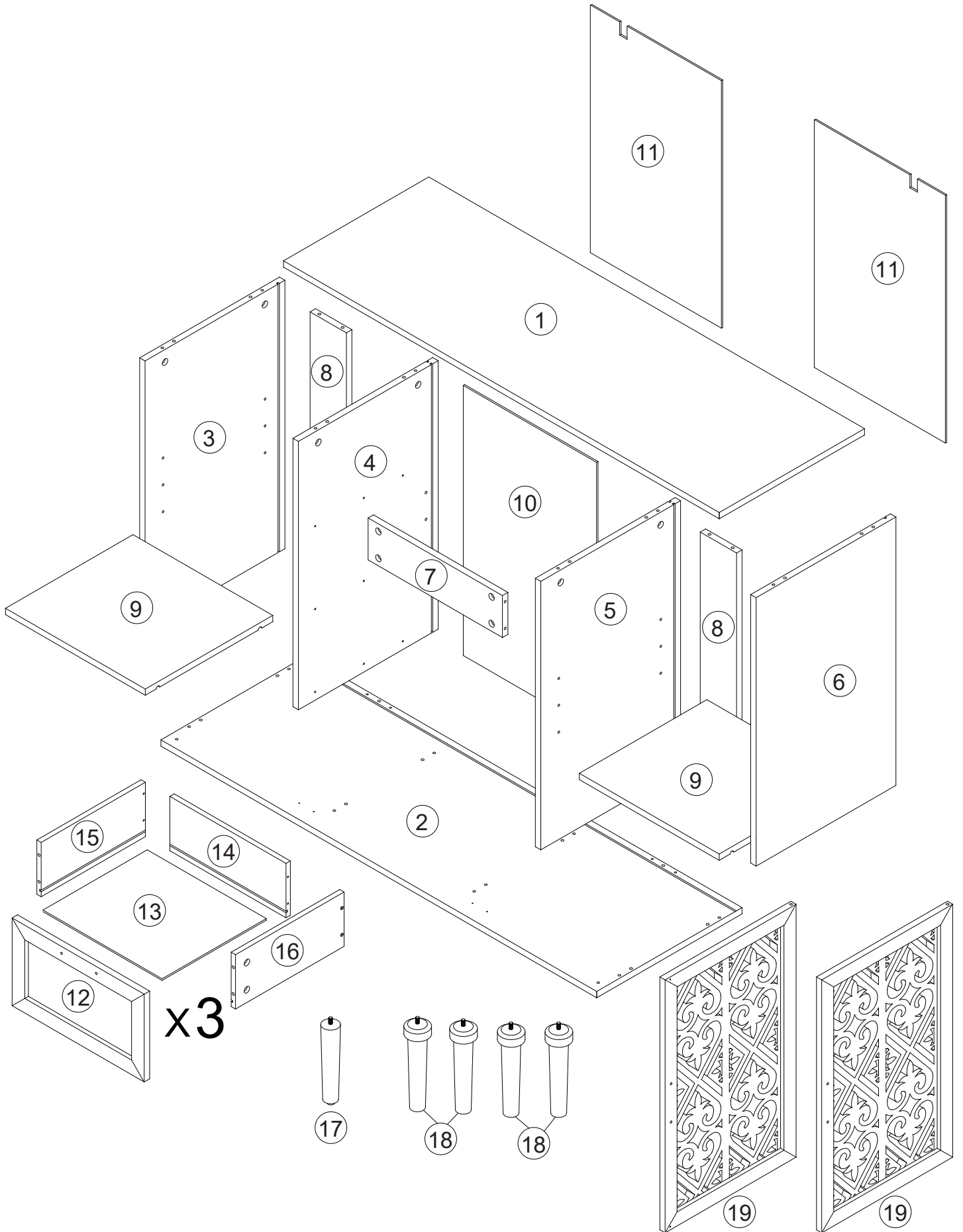


2 PERSONS

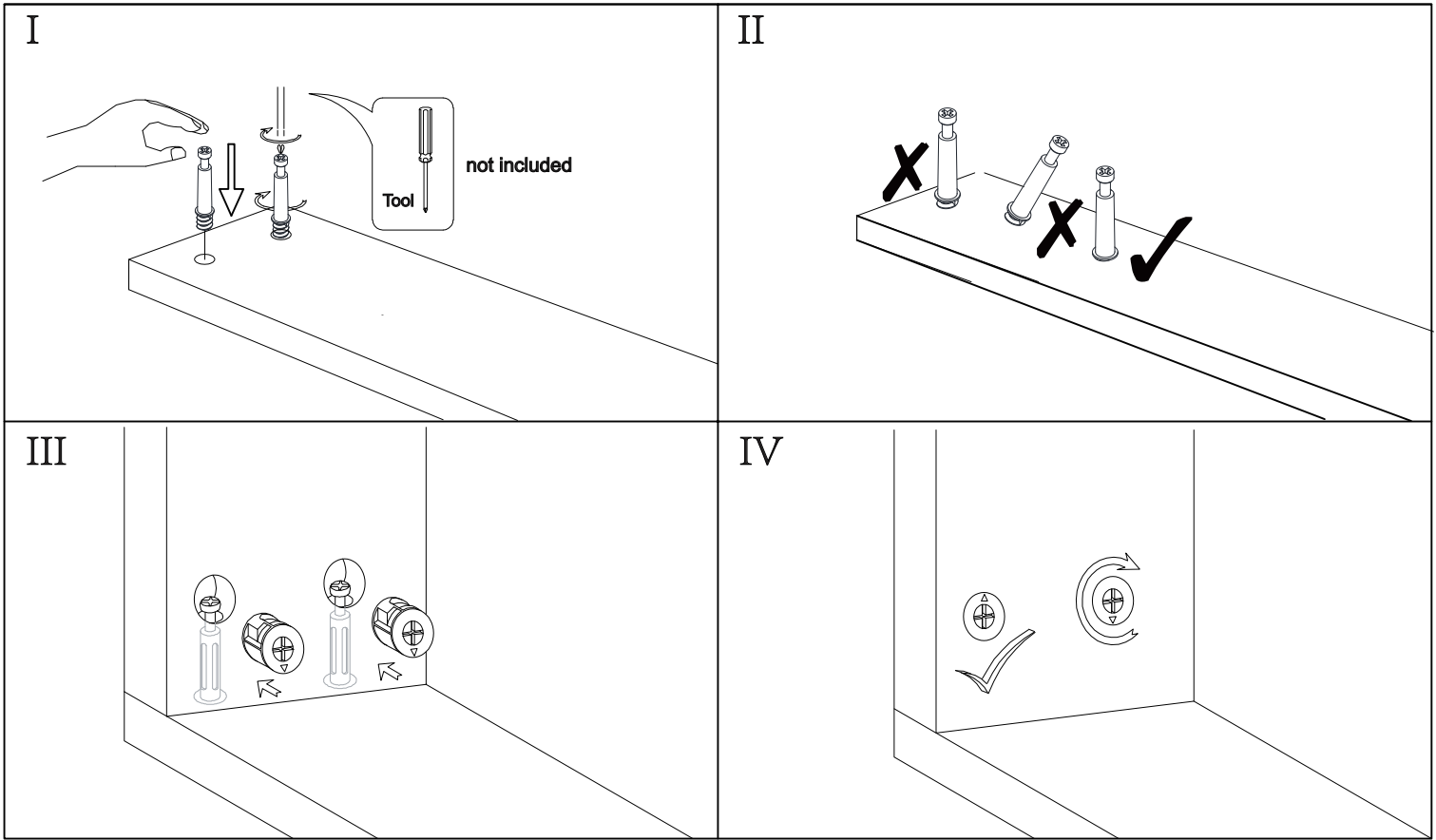
Included Accessories

Code	Description	Qty
1	Cabinet Top	1
2	Bottom Panel	1
3	Left Side Panel	1
4	Middle Left Side Panel	1
5	Middle Right Side Panel	1
6	Right Side Panel	1
7	Support Panel	1
8	Back Vertical Support Panel	2
9	Shelf	2
10	Middle Back Panel	1
11	Left and Right Back Panel	2
12	Drawer Front Panel	3
13	Drawer Bottom Panel	3
14	Drawer Back Panel	3
15	Drawer Left Side Panel	3
16	Drawer Right Side Panel	3
17	Middle Foot	1
18	Feet	4
19	Door	2

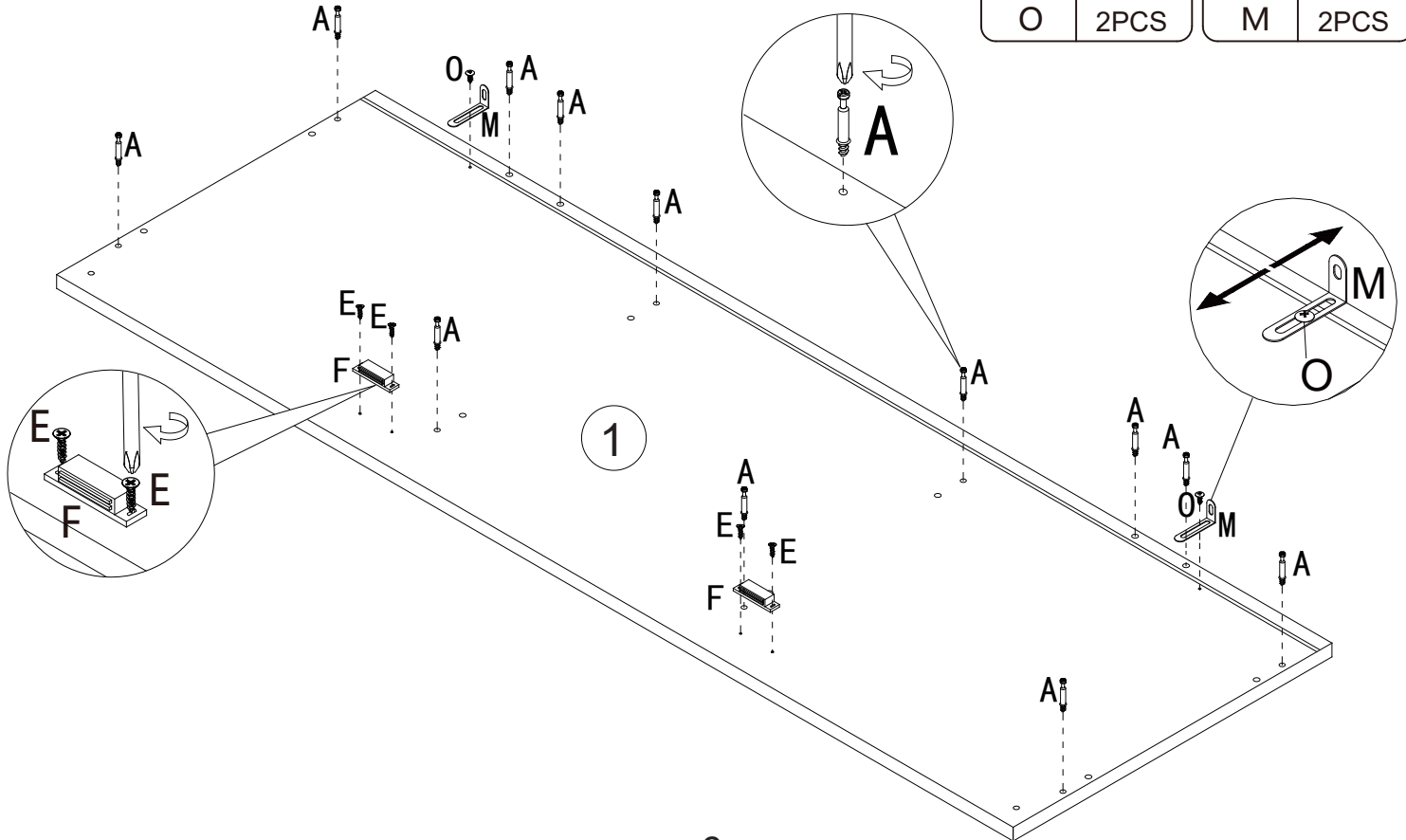
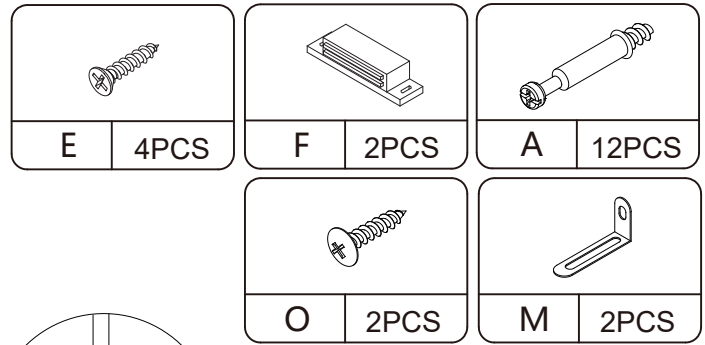
The Accessoriess



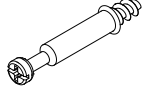
NOTED:

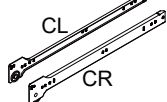



Step 1

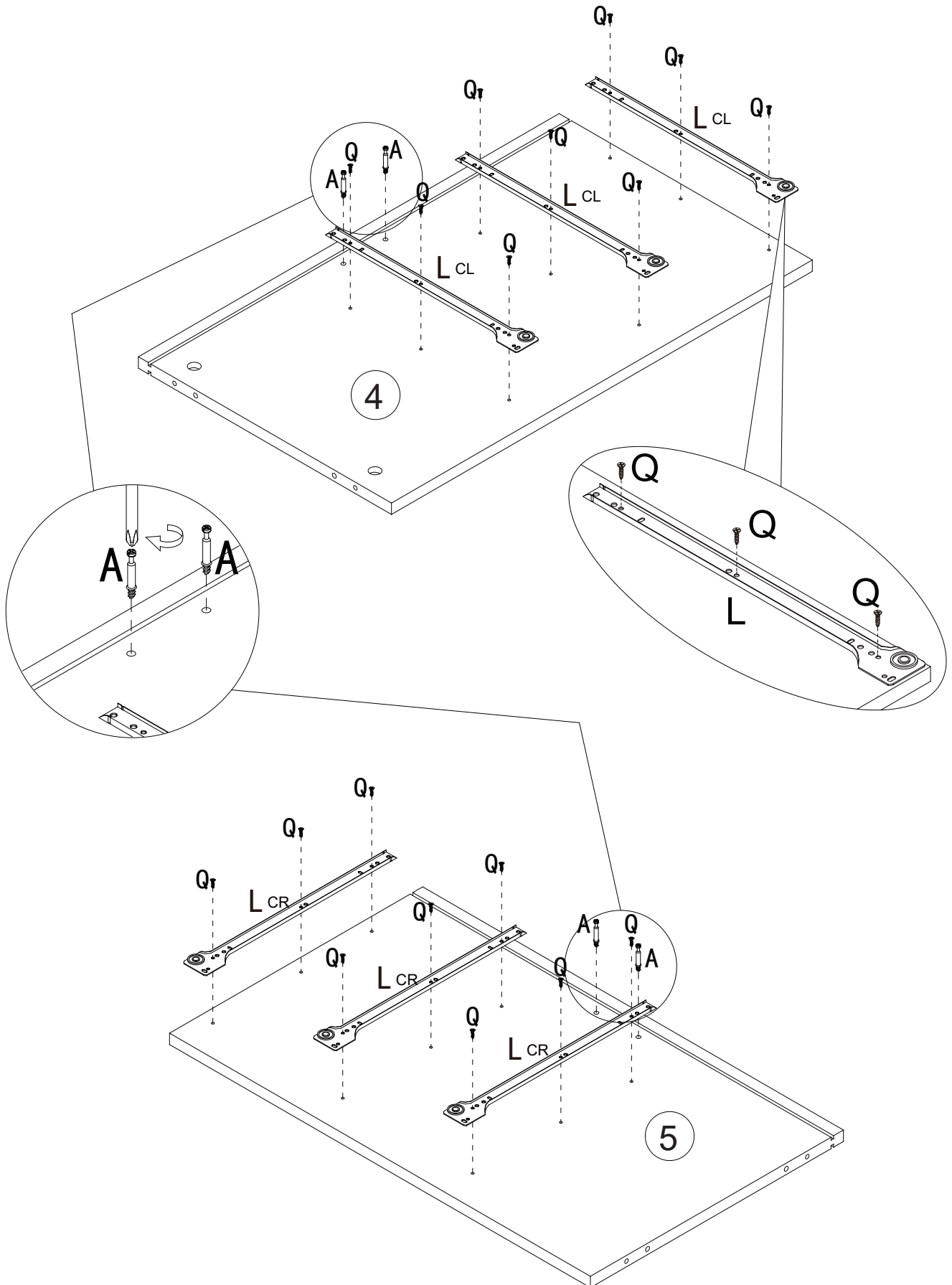


Step 2



A 4PCS



L 3PCS

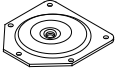

Q 18PCS

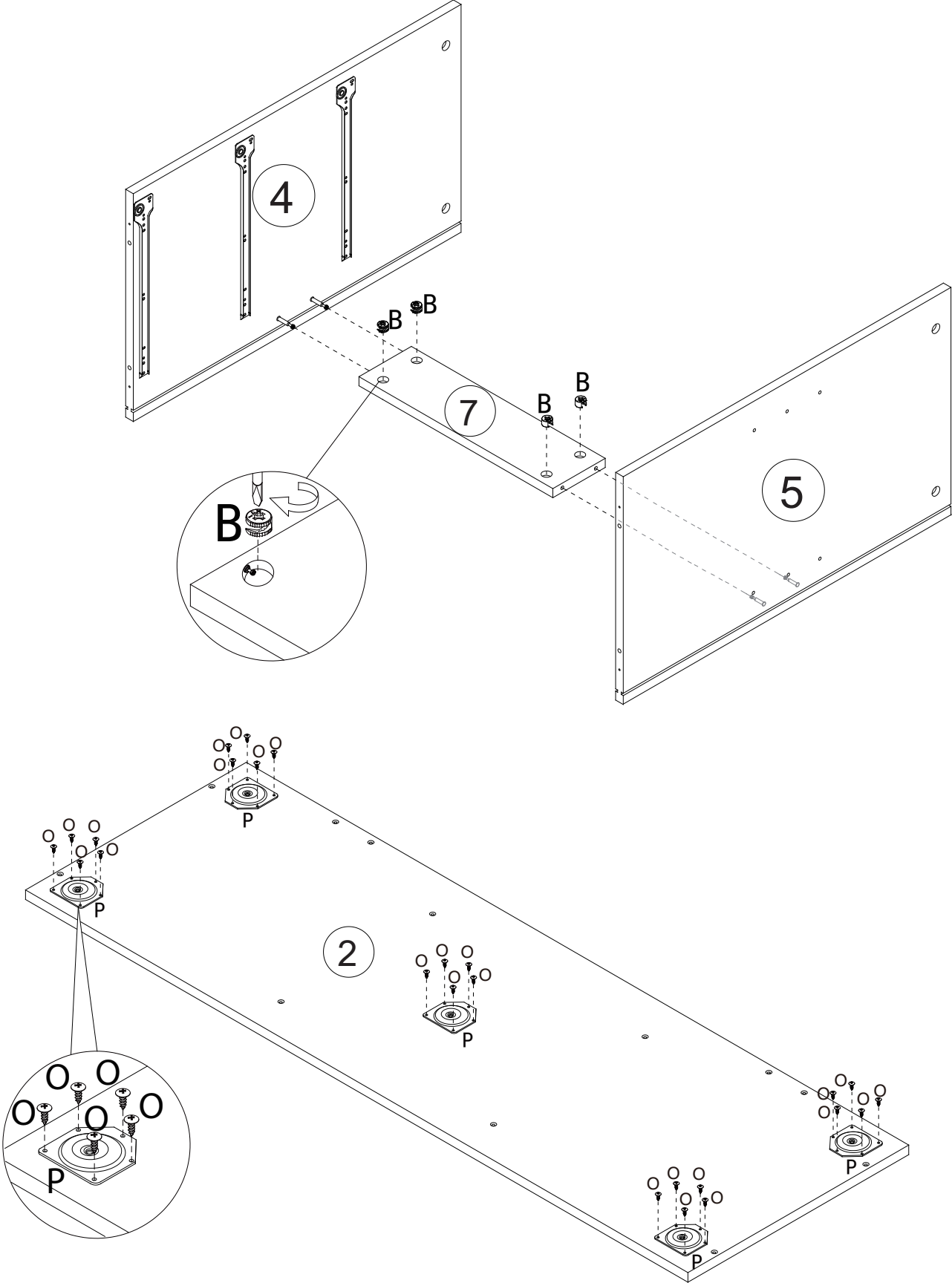


Step 3


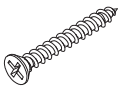
	
B	4PCS

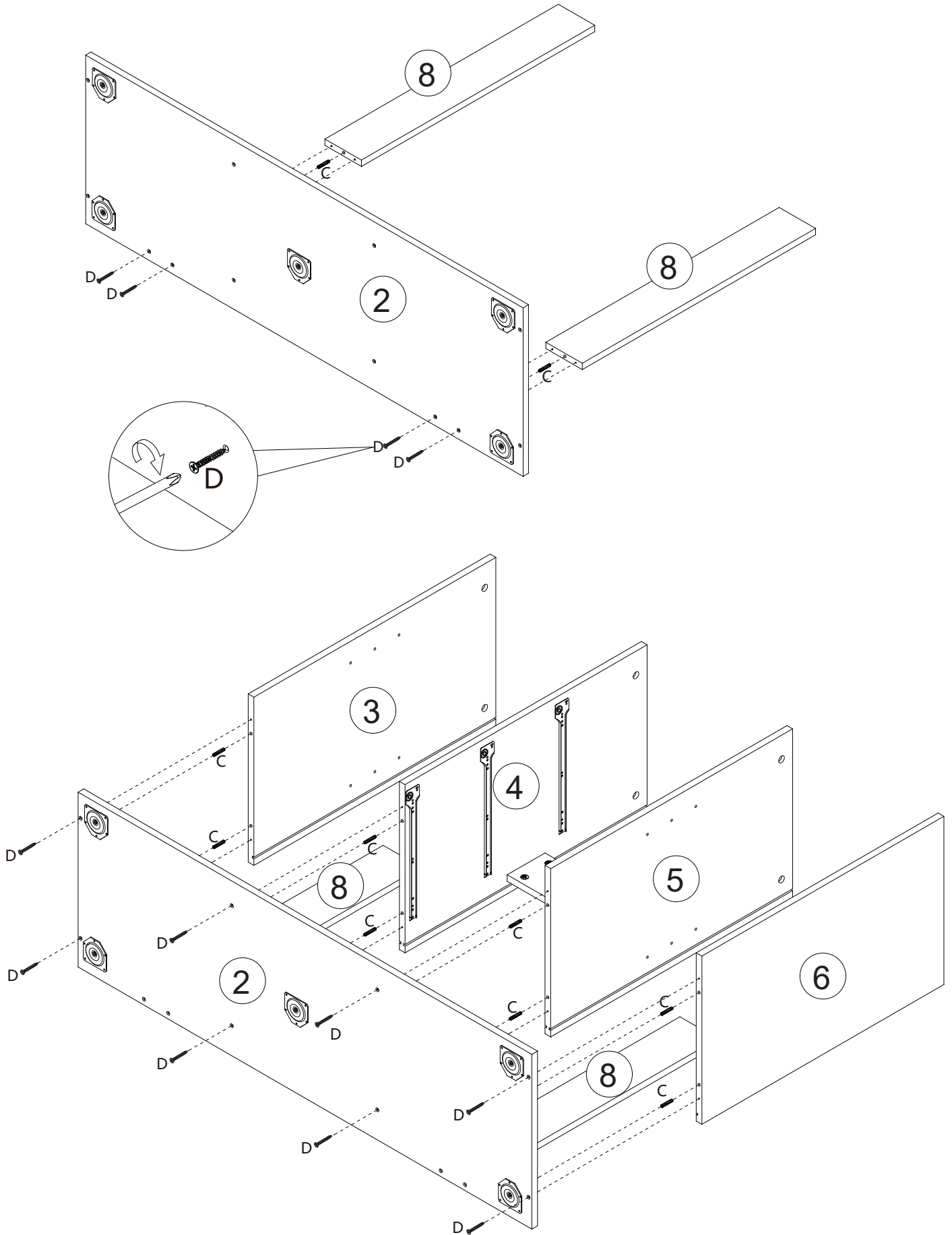
	
O	25PCS

	
P	5PCS

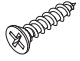
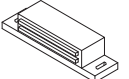


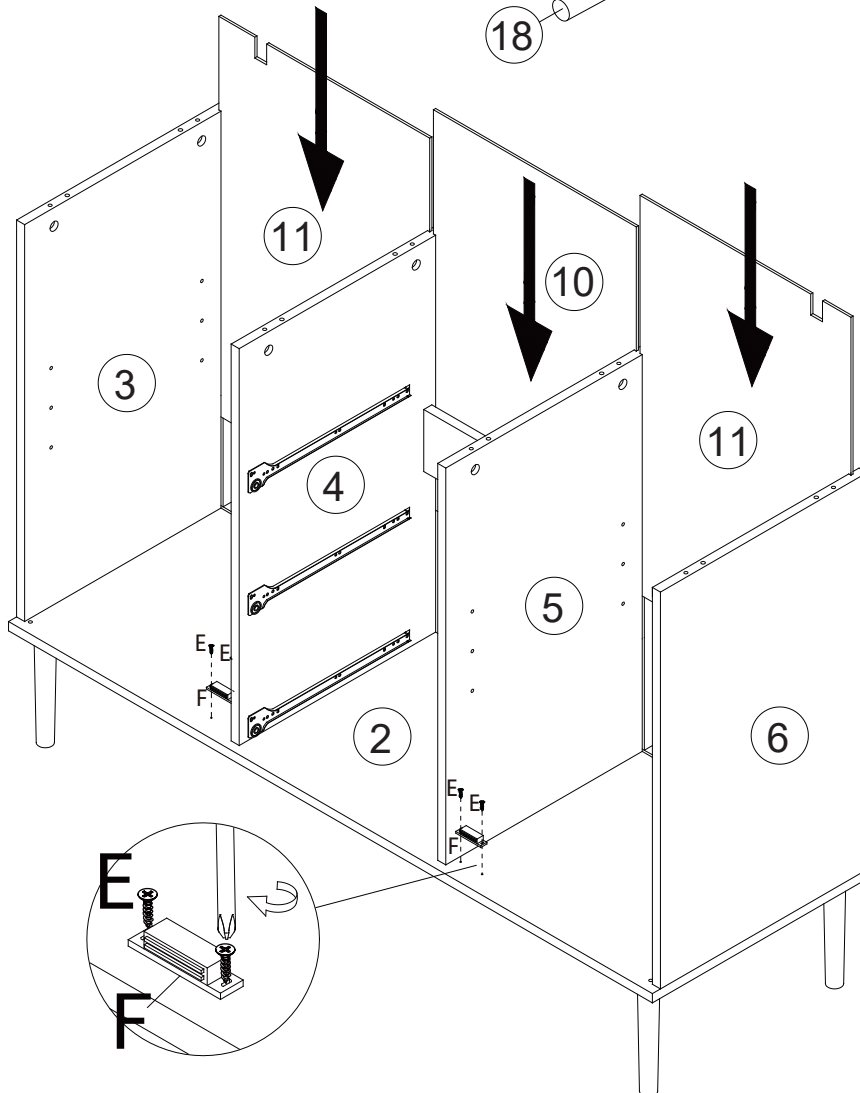
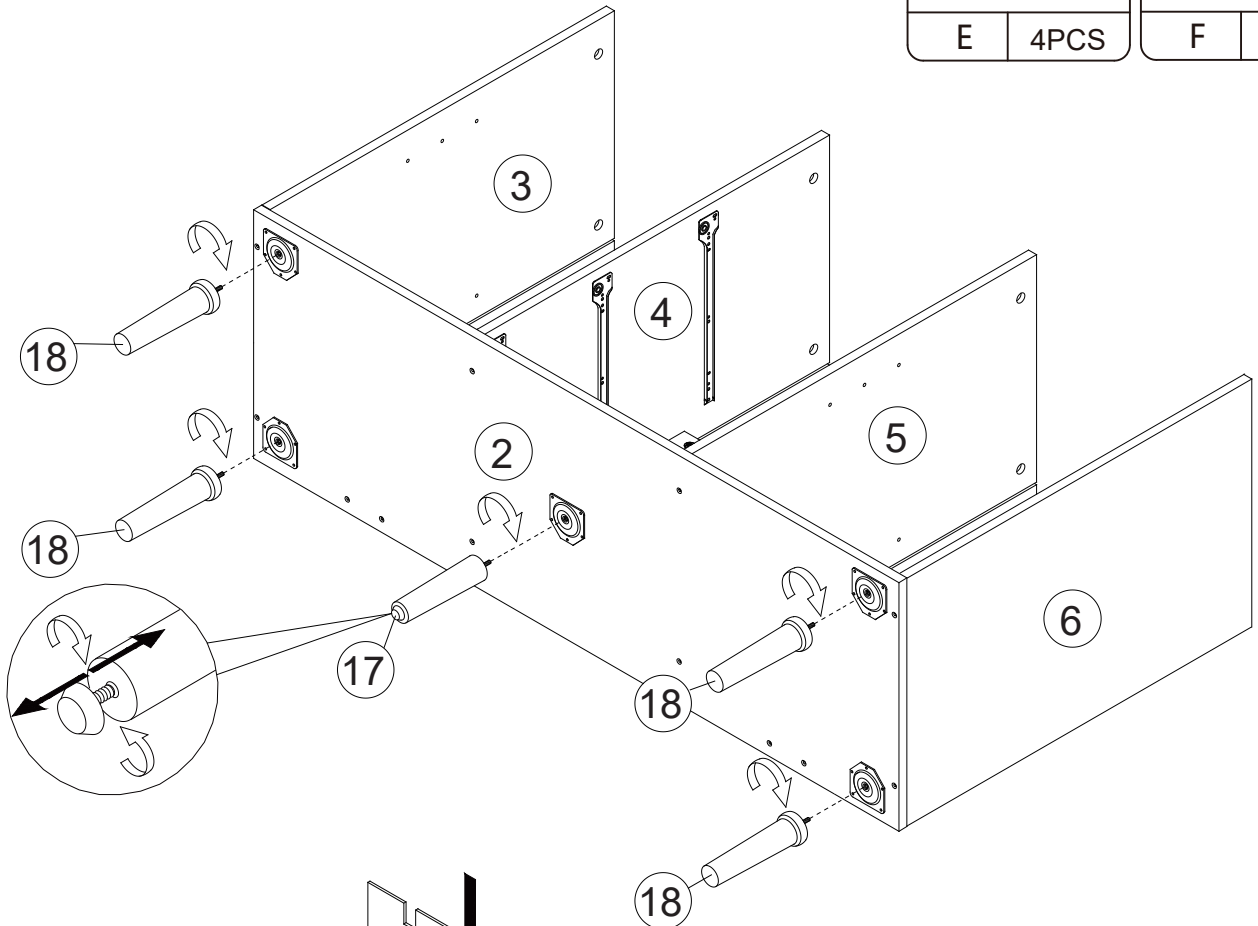
Step 4

			
C	10PCS	D	12PCS

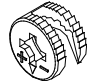



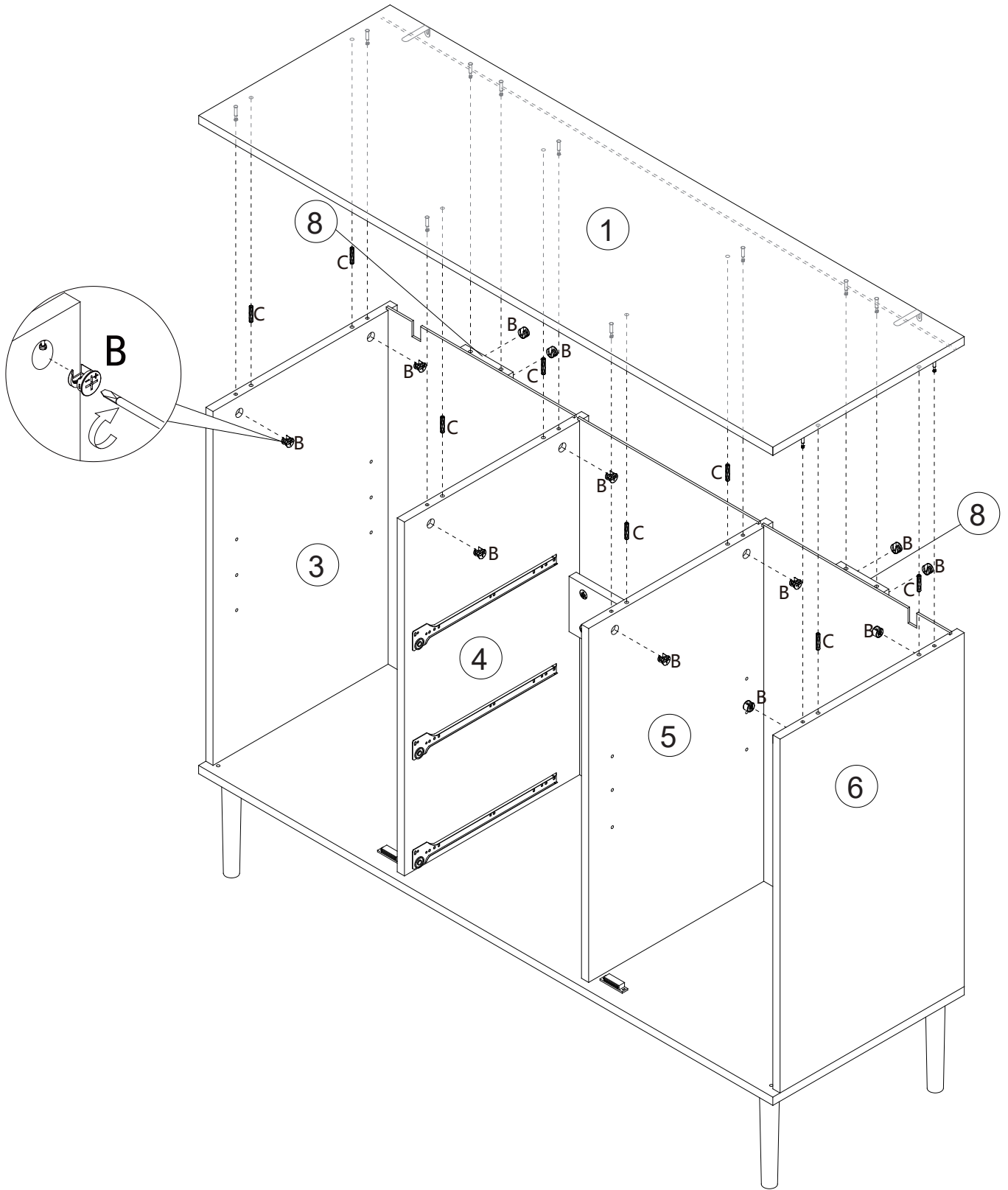
Step 5

			
E	4PCS	F	2PCS

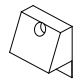



Step 6

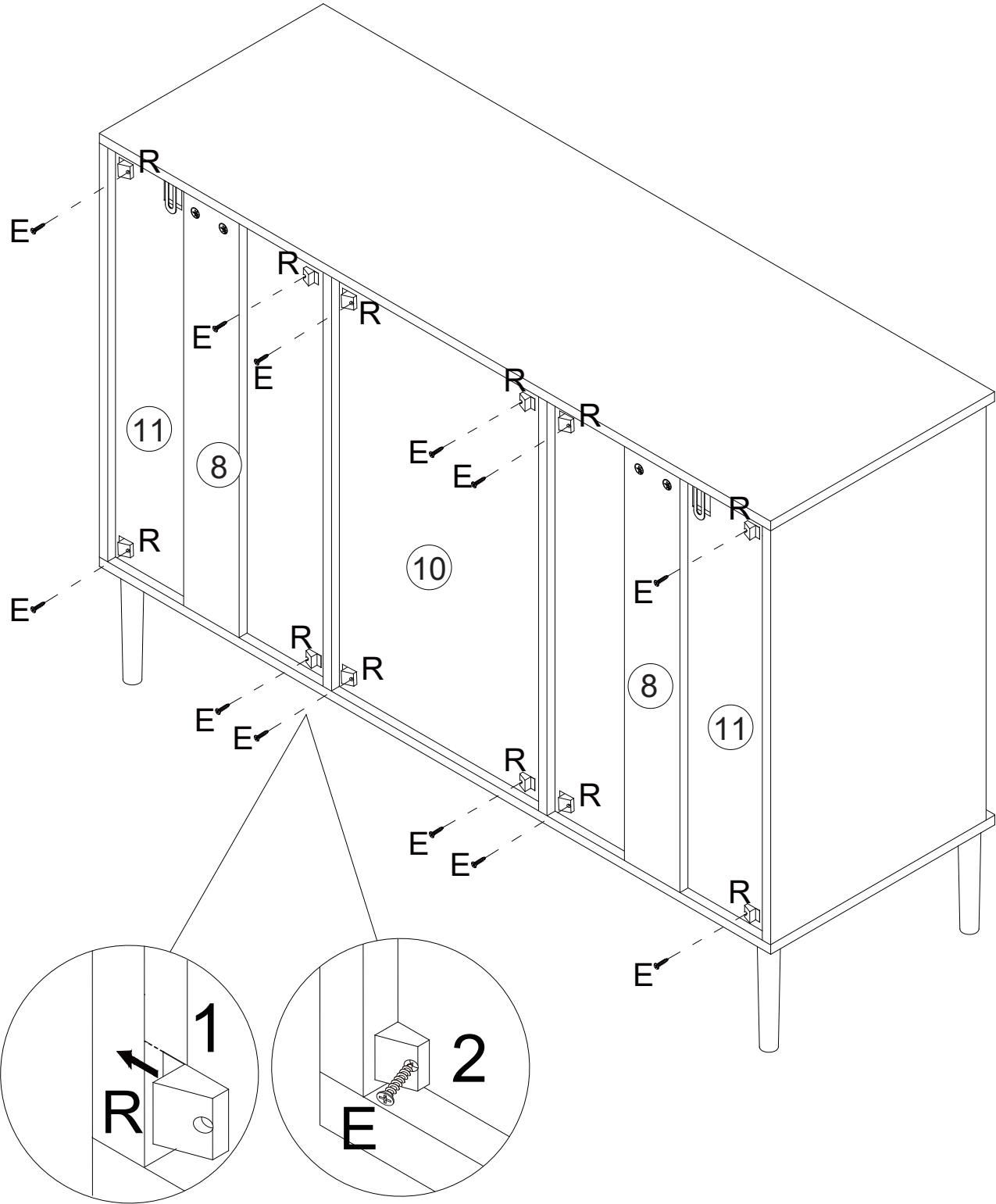
	
B	12PCS
C	8PCS



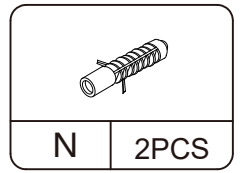
Step 7

	
R	12PCS

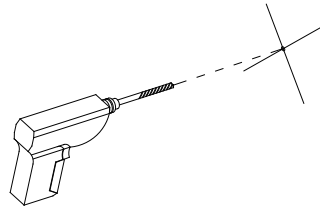
	
E	12PCS



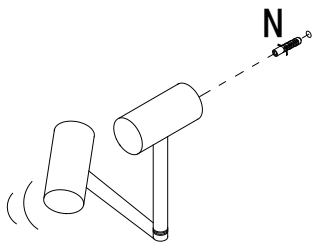
Step 8



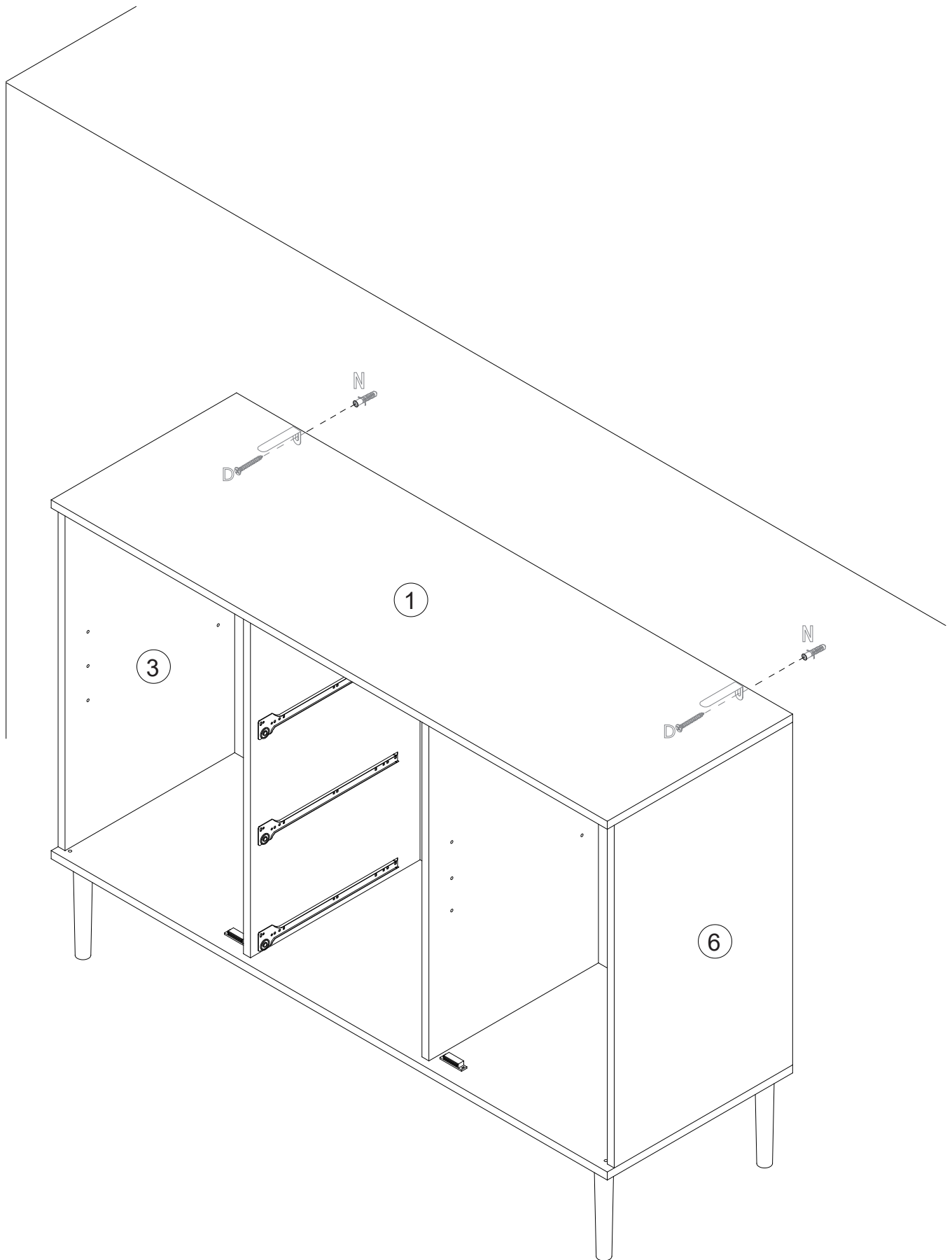
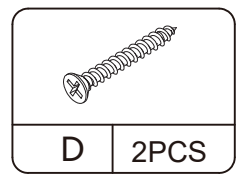
1



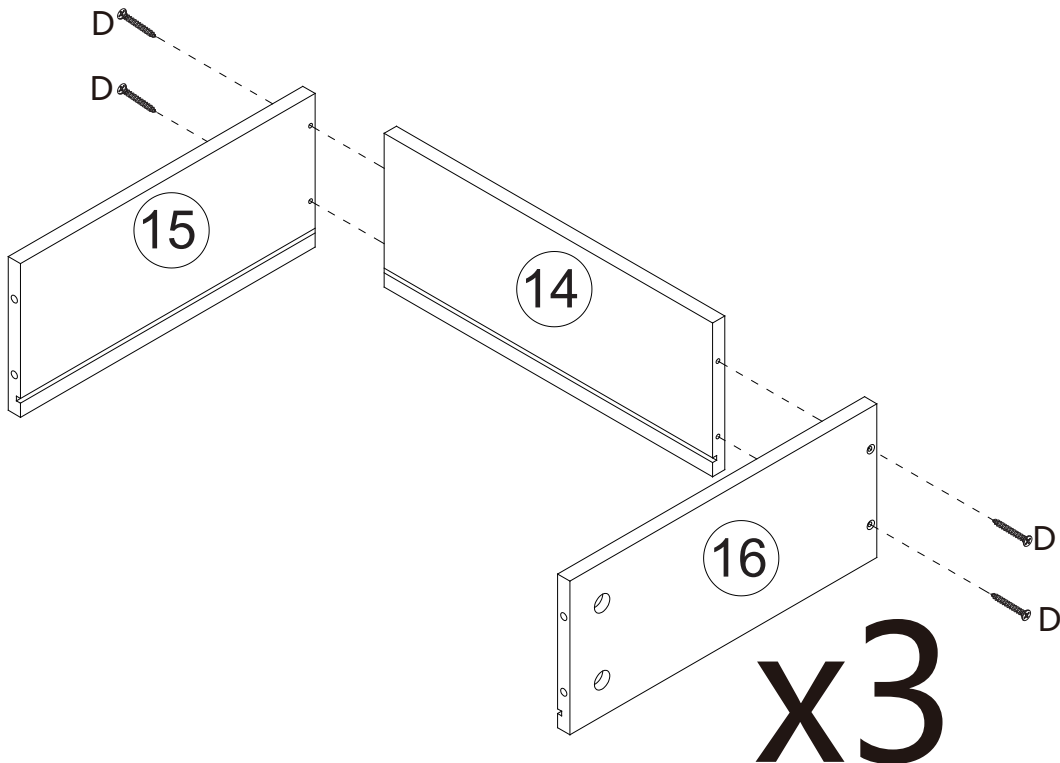
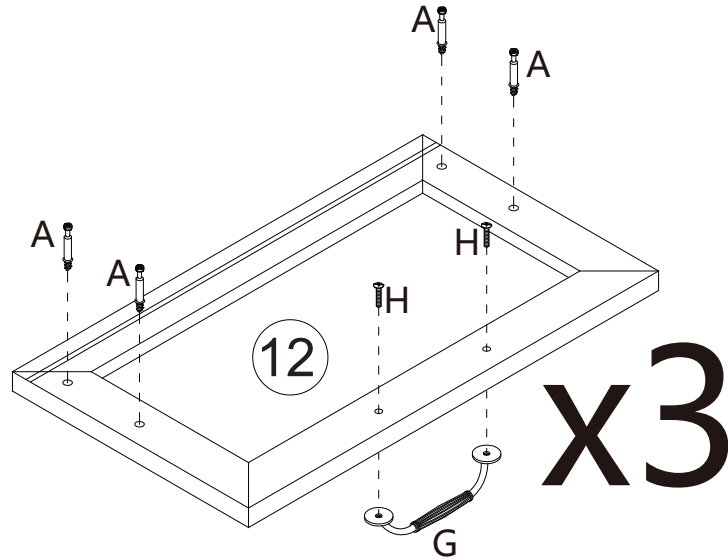
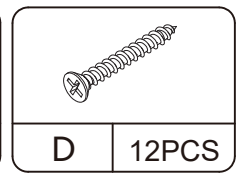
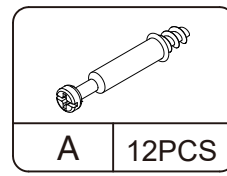
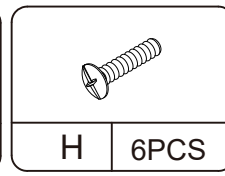
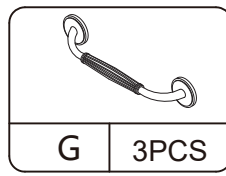
2



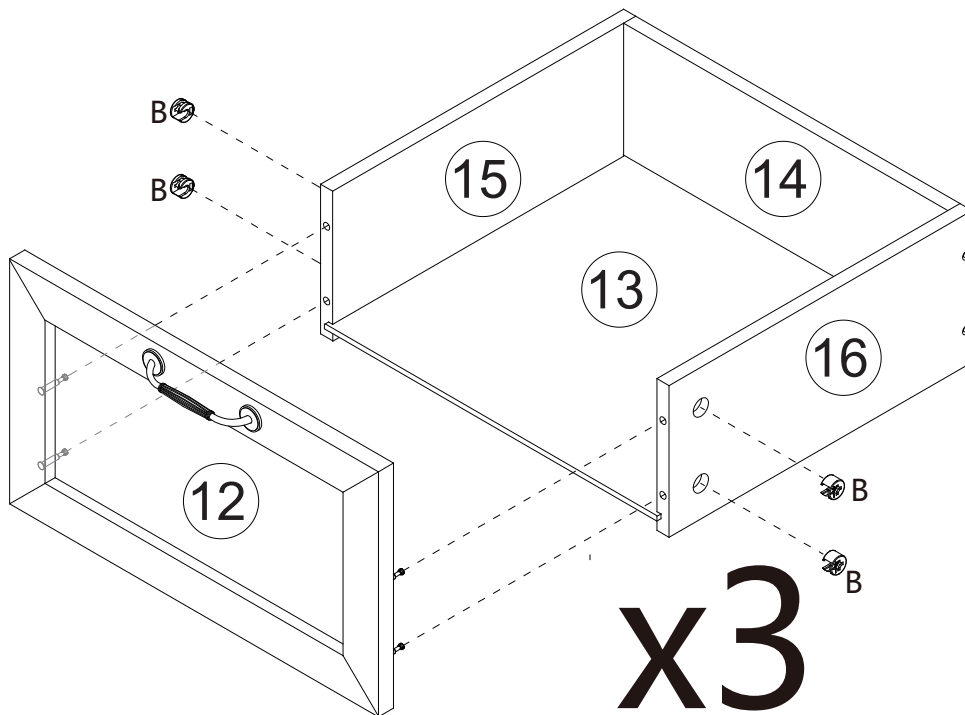
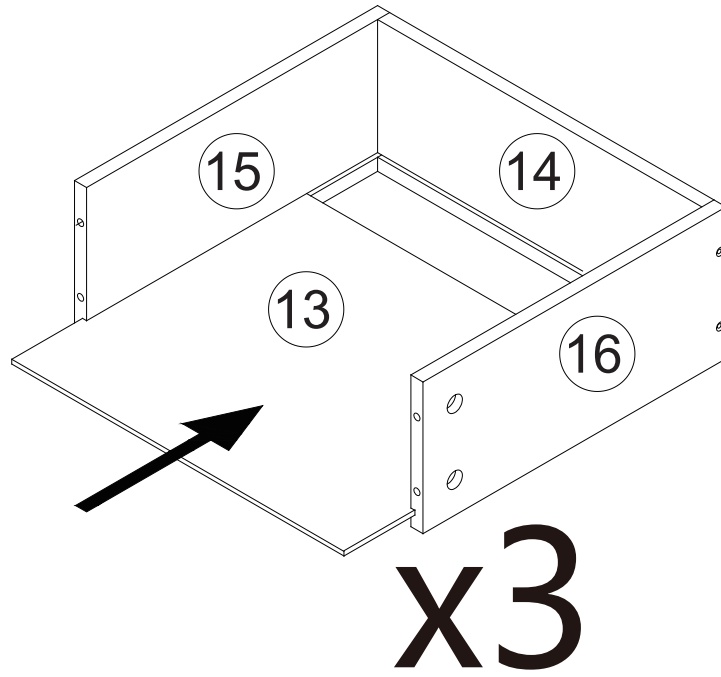
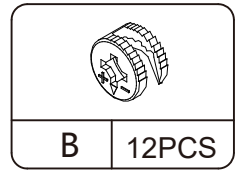
Step 9



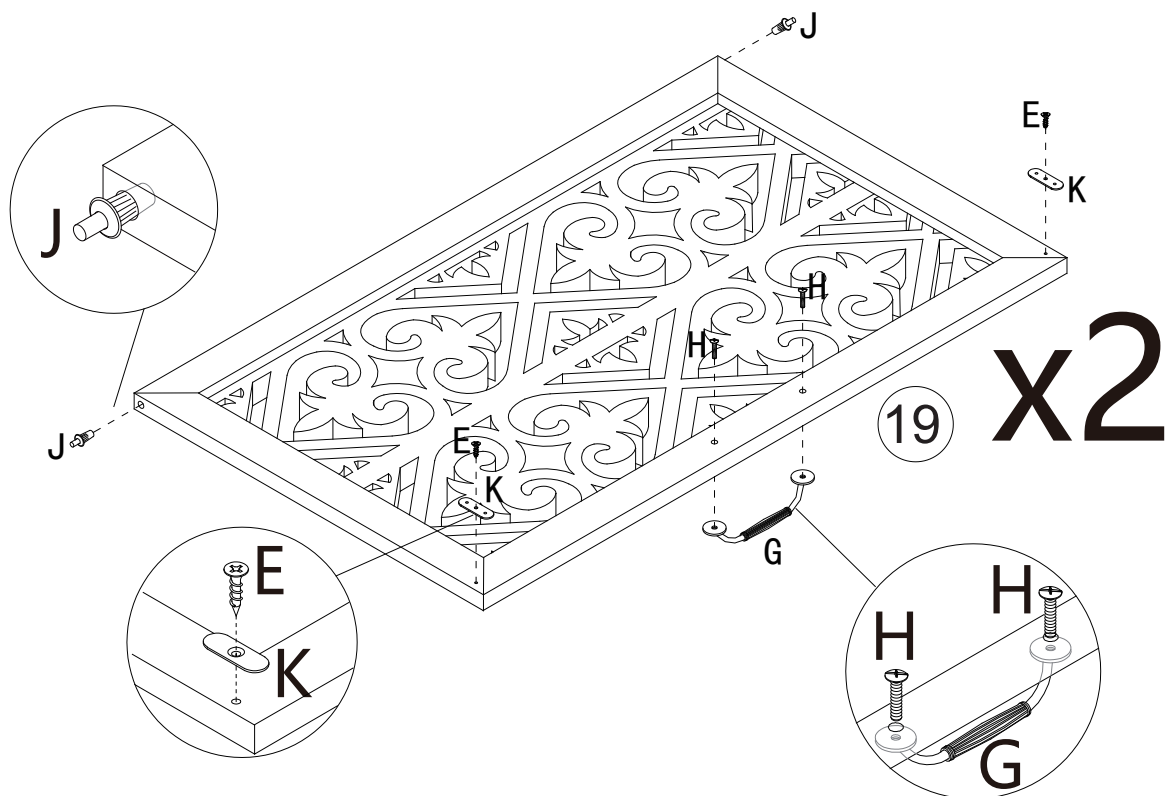
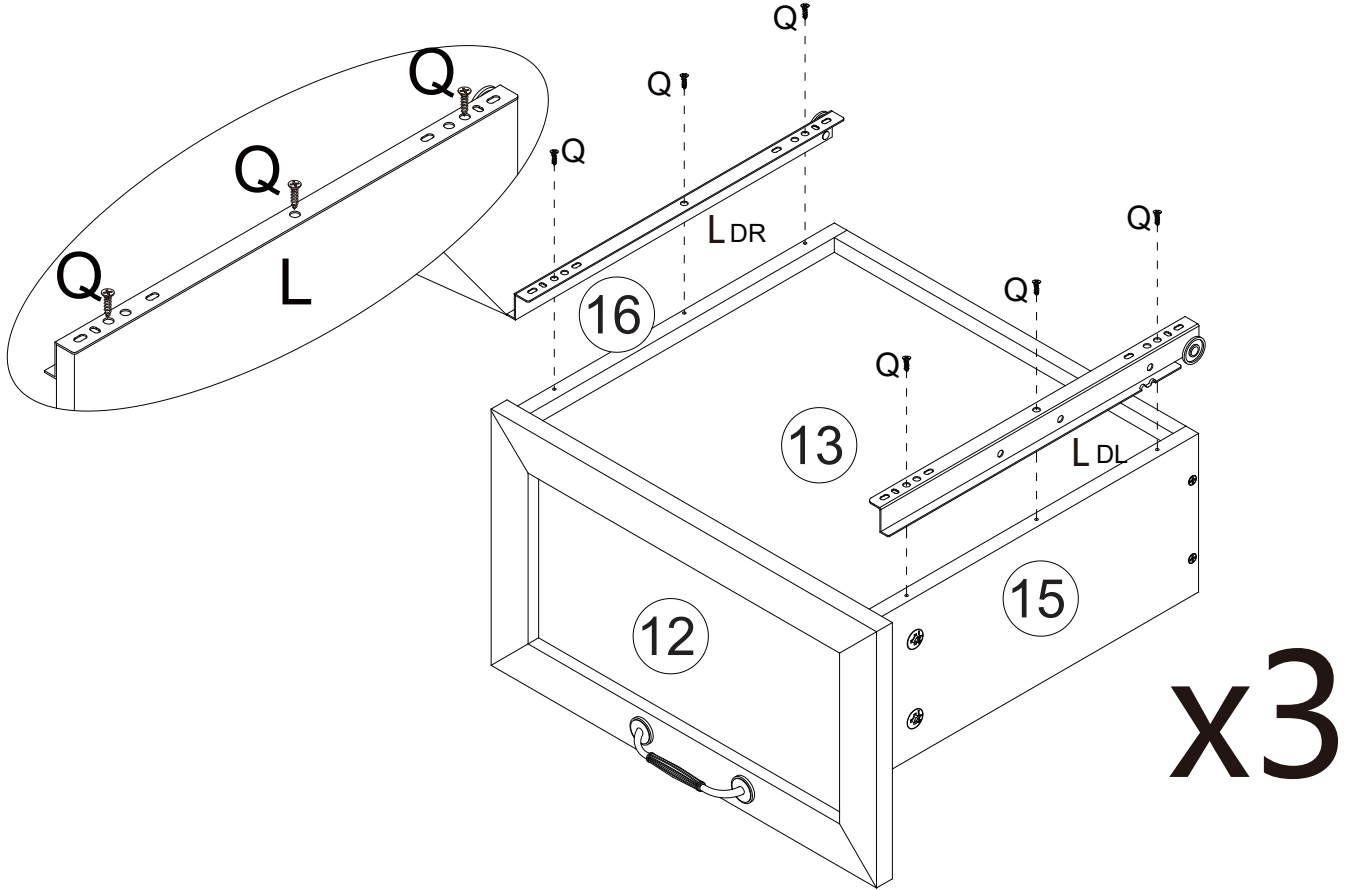
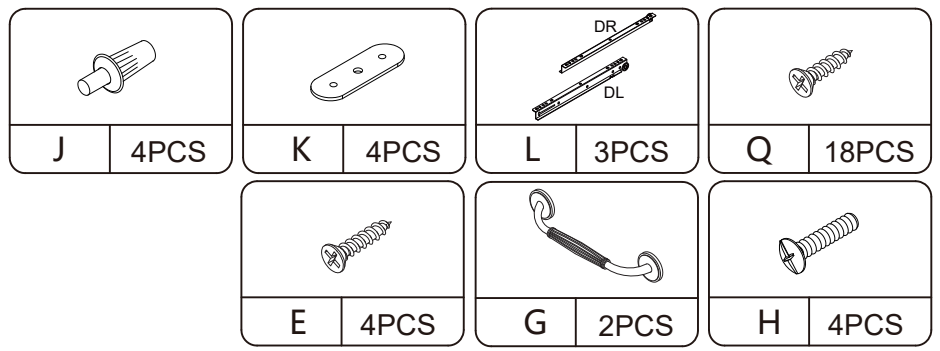
Step 10



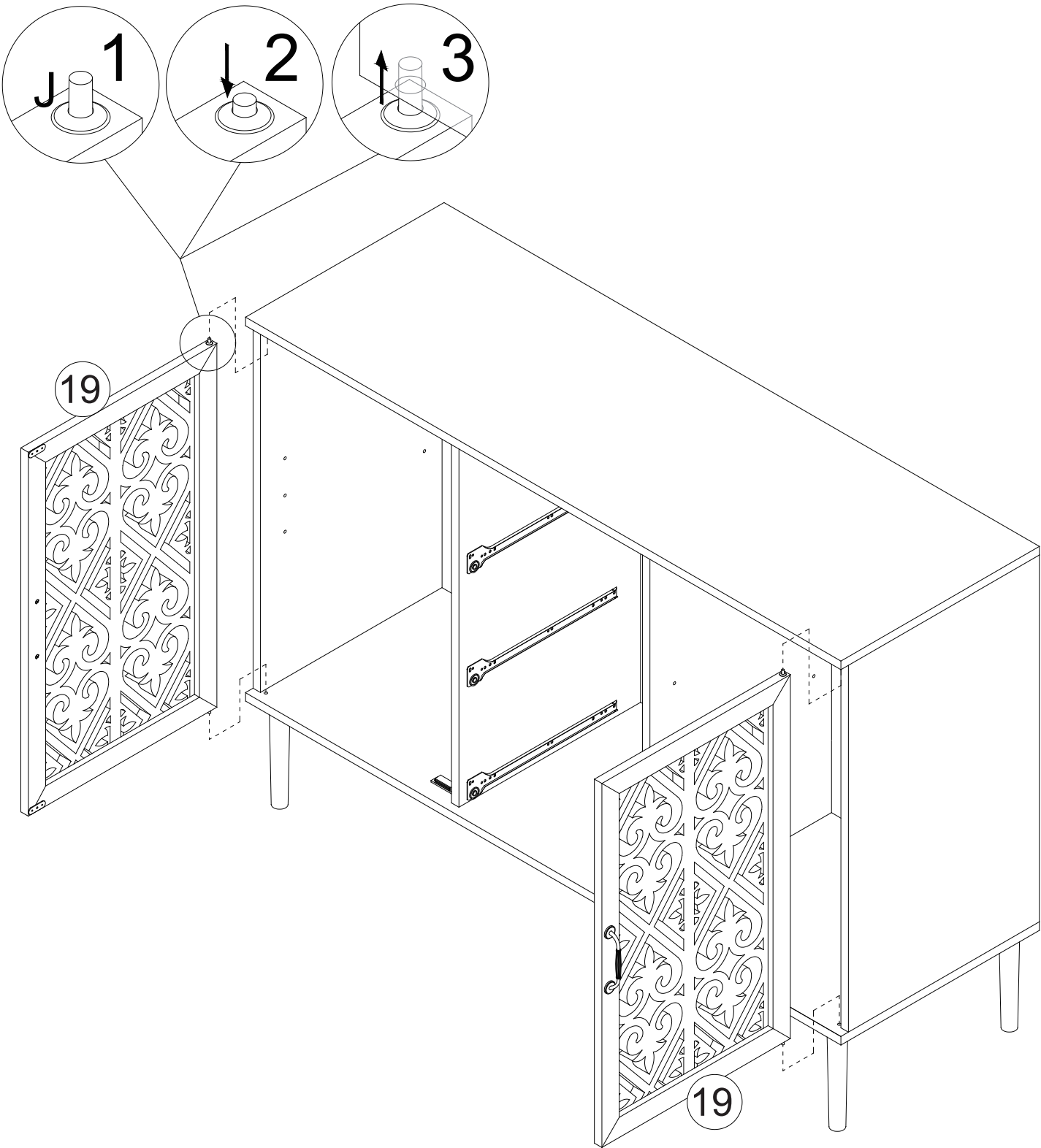
Step 11




Step 12

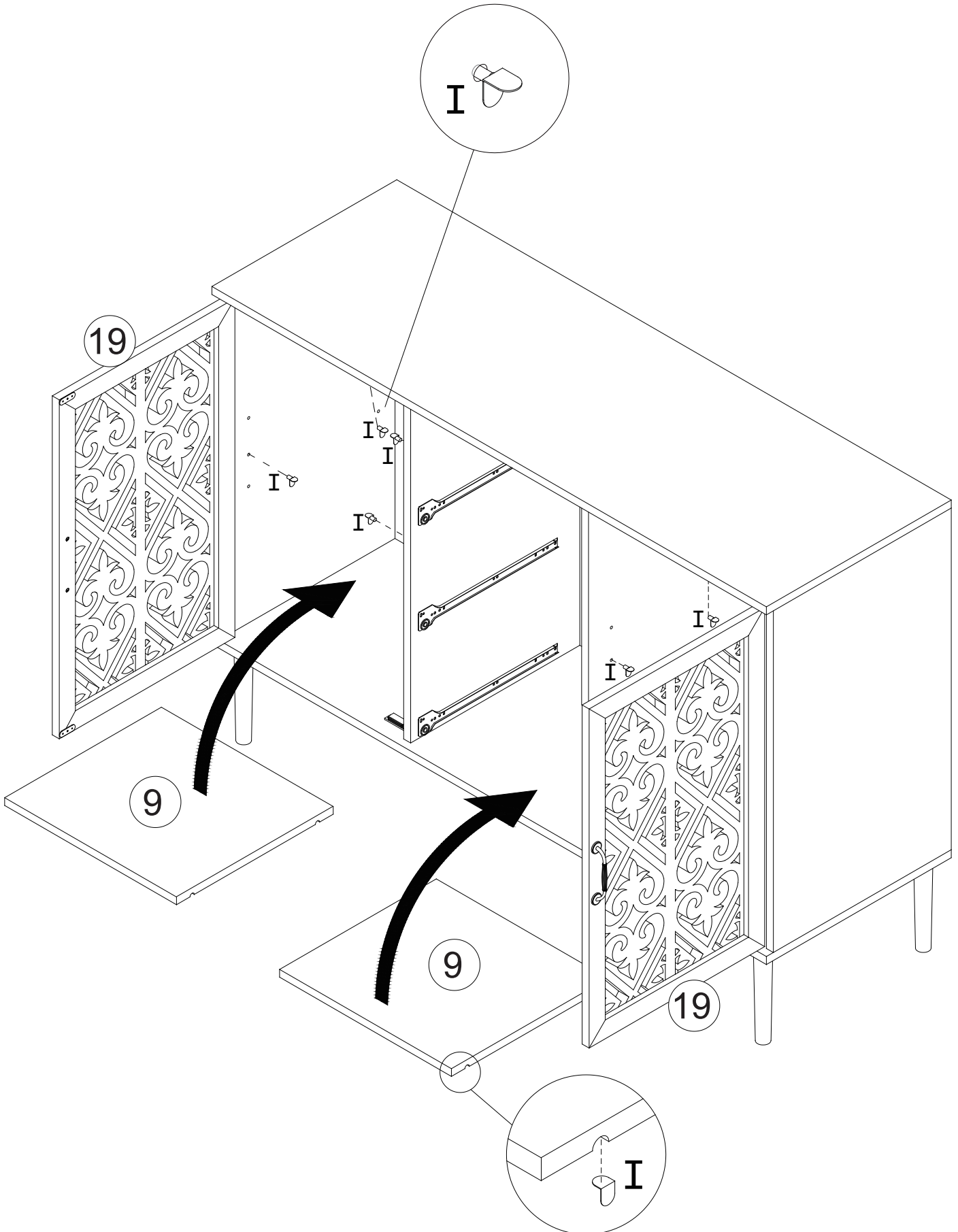


Step 13

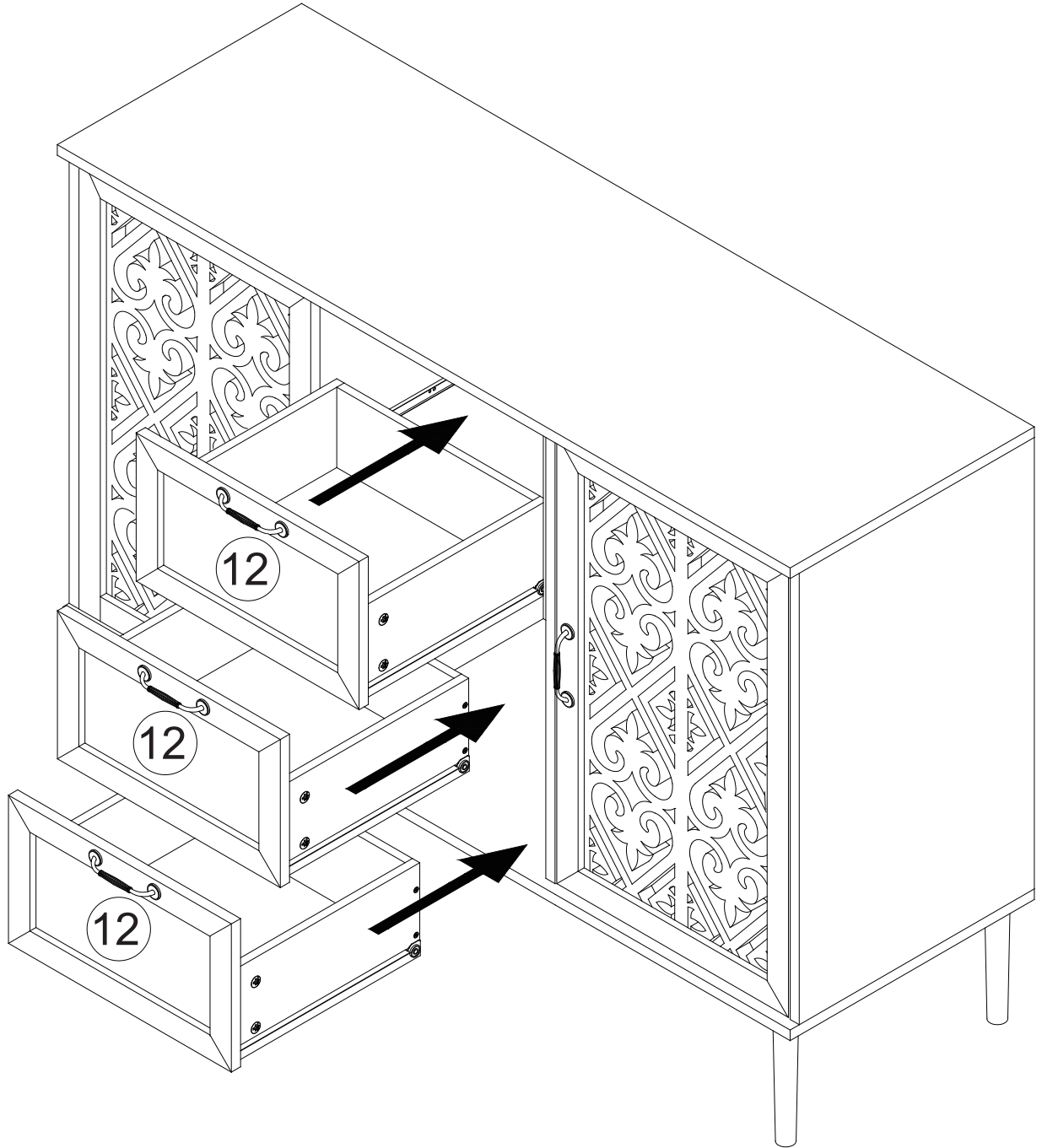


Step 14

	
I	8PCS



Step 15



Proper Use

- DO NOT** use for commercial purposes
- DO NOT** use as a step stool or stand on table
- DO NOT** put hot serving liquid directly on the table top
- DO NOT** leave spilled liquid on the table top
- DO NOT** use table if damaged
- DO NOT** exceed weight limit
- DO NOT** make temporary repairs
- DO NOT** use outdoor

Dear Customer :

Thank you for purchasing our product,we wish you satisfy our service,if you have any further questions or any quality issues, please show the belows number and don't hesitate to contact our Customer Service People.