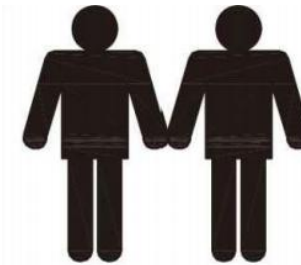


Assembly Instruction

Note:

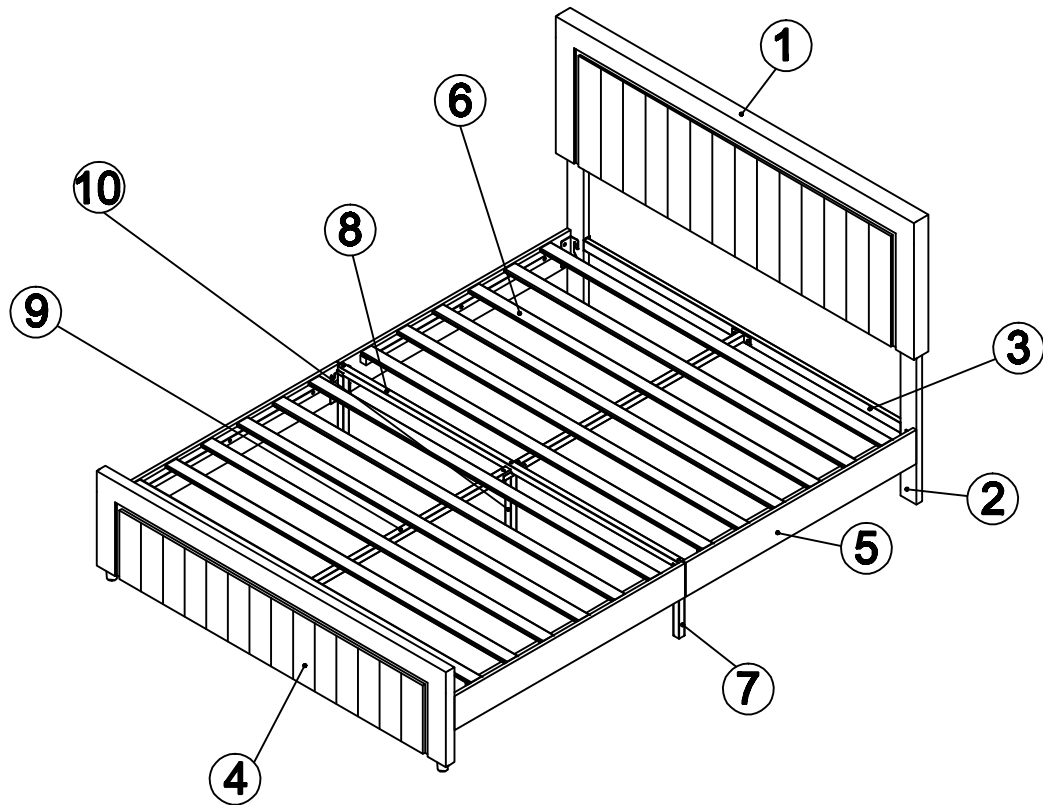
- 1. Should be assembled on flat ground to keep balance.**
- 2. Before completing the installation, do not tighten the screws.**



It needs at least two people to install.



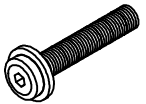
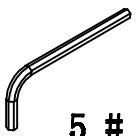


Before starting the assembly, you must read the whole manual and follow the instructions.

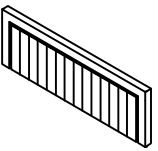
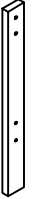
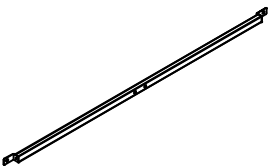
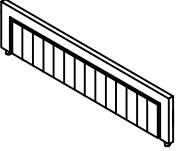
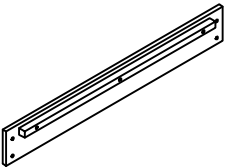
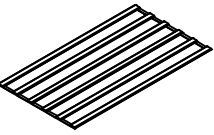

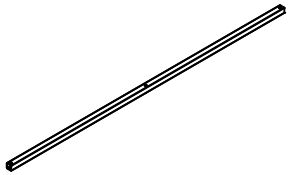
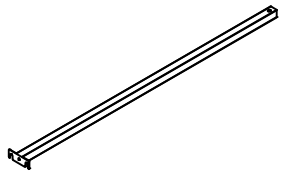
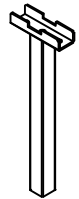

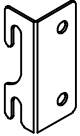


Assembly Instruction



Hardware arts

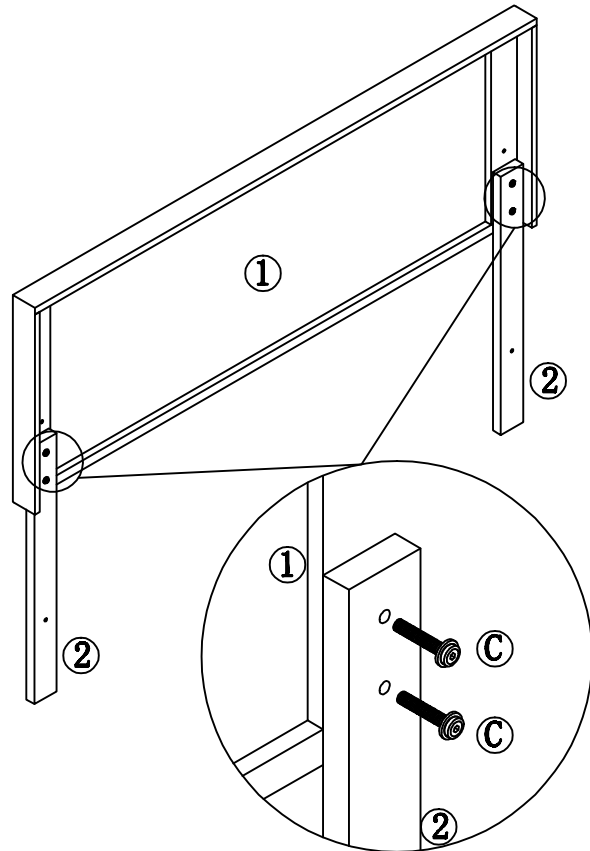
 <p>Ⓐ M8x15 30pcs</p>	 <p>Ⓑ M8x35 4pcs</p>	 <p>Ⓒ M8x45 5pcs</p>	 <p>5 # Ⓓ 1pc</p>	/	/
--	---	---	--	---	---



Part list

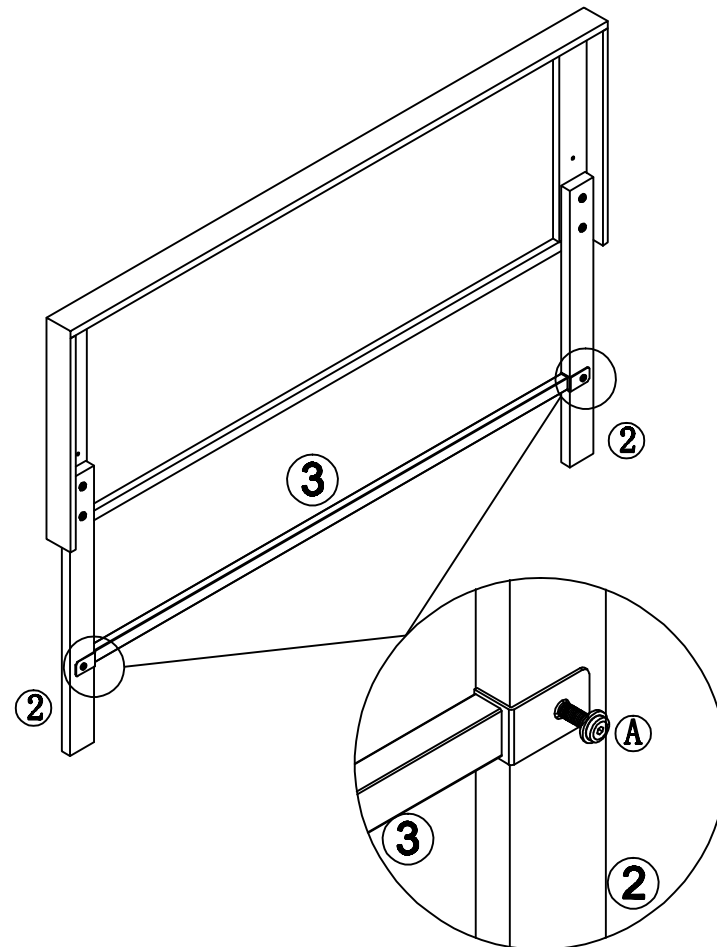
 <p>Ⓛ 1 PC</p>	 <p>Ⓜ 2 PCS</p>	 <p>Ⓝ 1 PC</p>	 <p>Ⓟ 1 PC</p>	 <p>Ⓡ 4 PCS</p>	 <p>Ⓢ 2 PCS</p>
 <p>Ⓡ 2 PCS</p>	 <p>Ⓣ 1 PC</p>	 <p>Ⓤ 2 PCS</p>	 <p>Ⓡ 1 PC</p>	 <p>Ⓡ 2 PCS</p>	 <p>Ⓡ 2 PCS</p>

Assembly Instruction



C		M8x45	4pcs
D			1pc

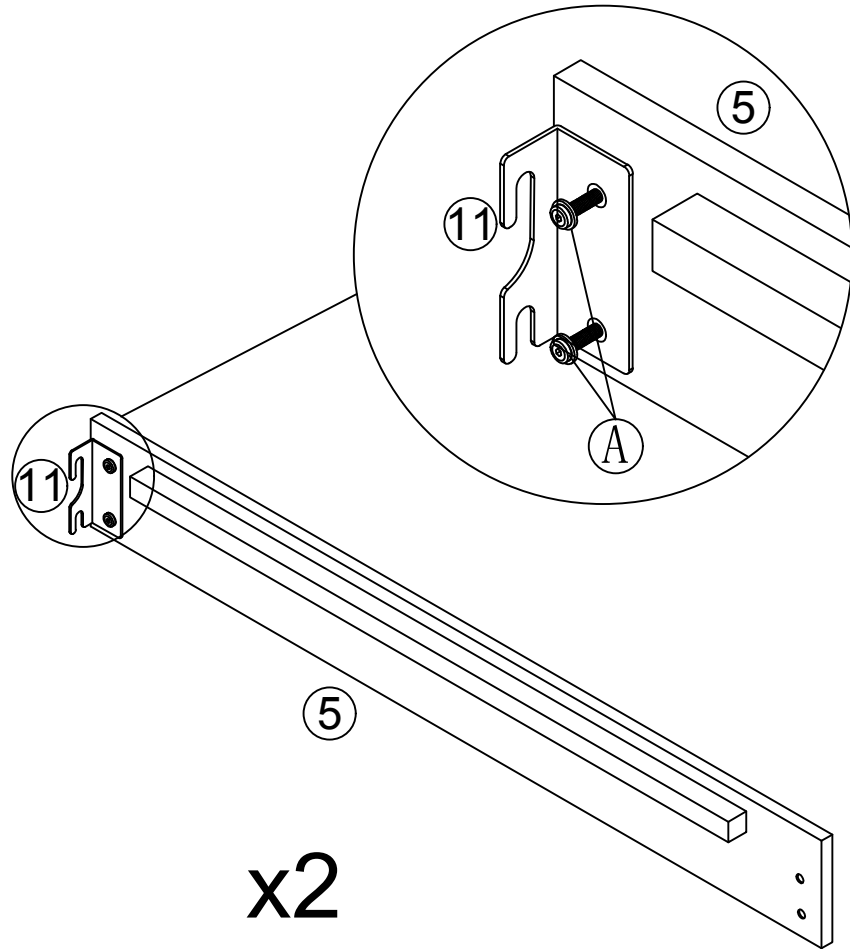




A		M8x15	2pcs
D			1pc

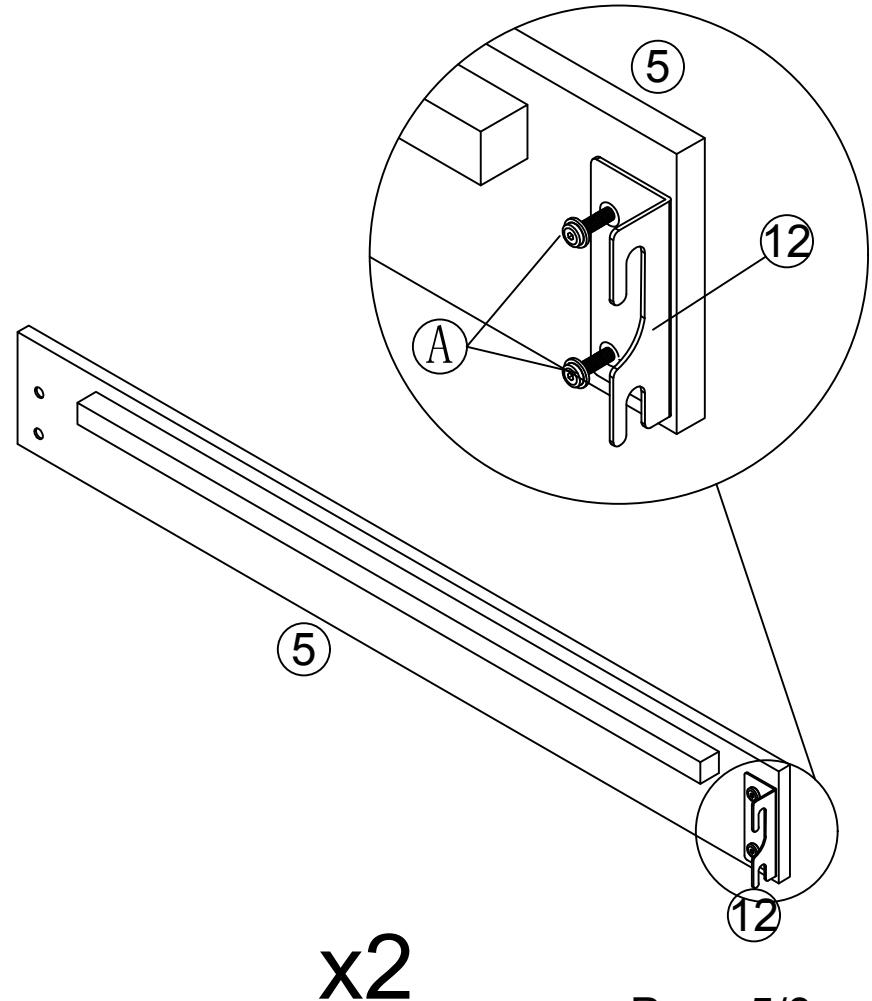


Assembly Instruction



A	 M8x15	4pcs
D	 5#	1pc

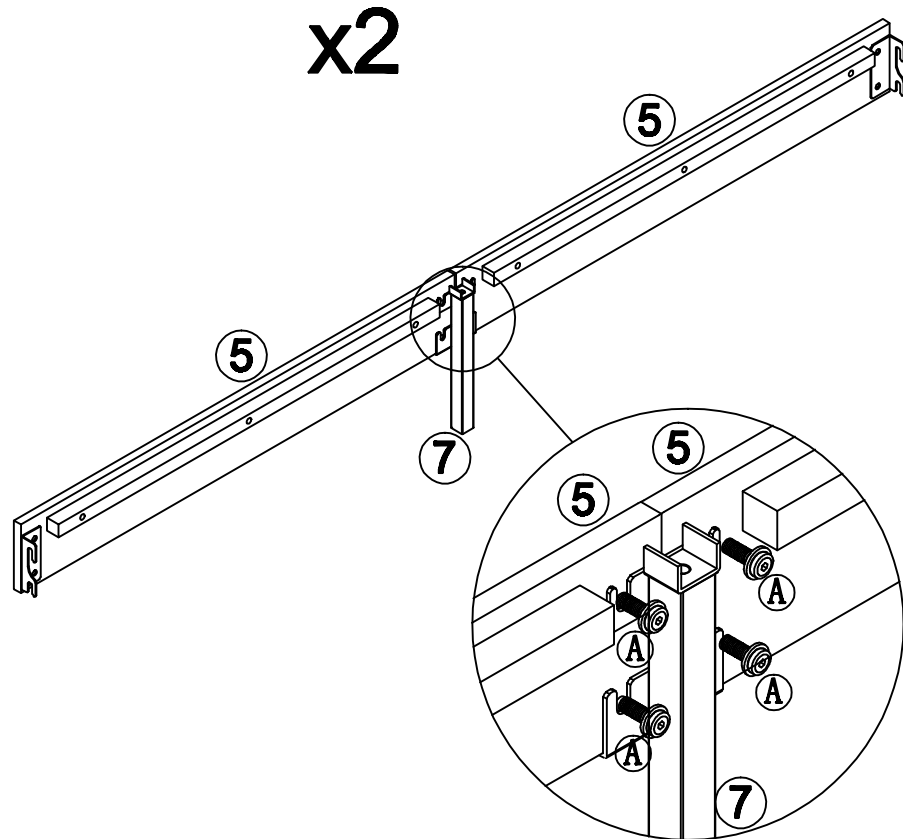




A	 M8x15	4pcs
D	 5#	1pc

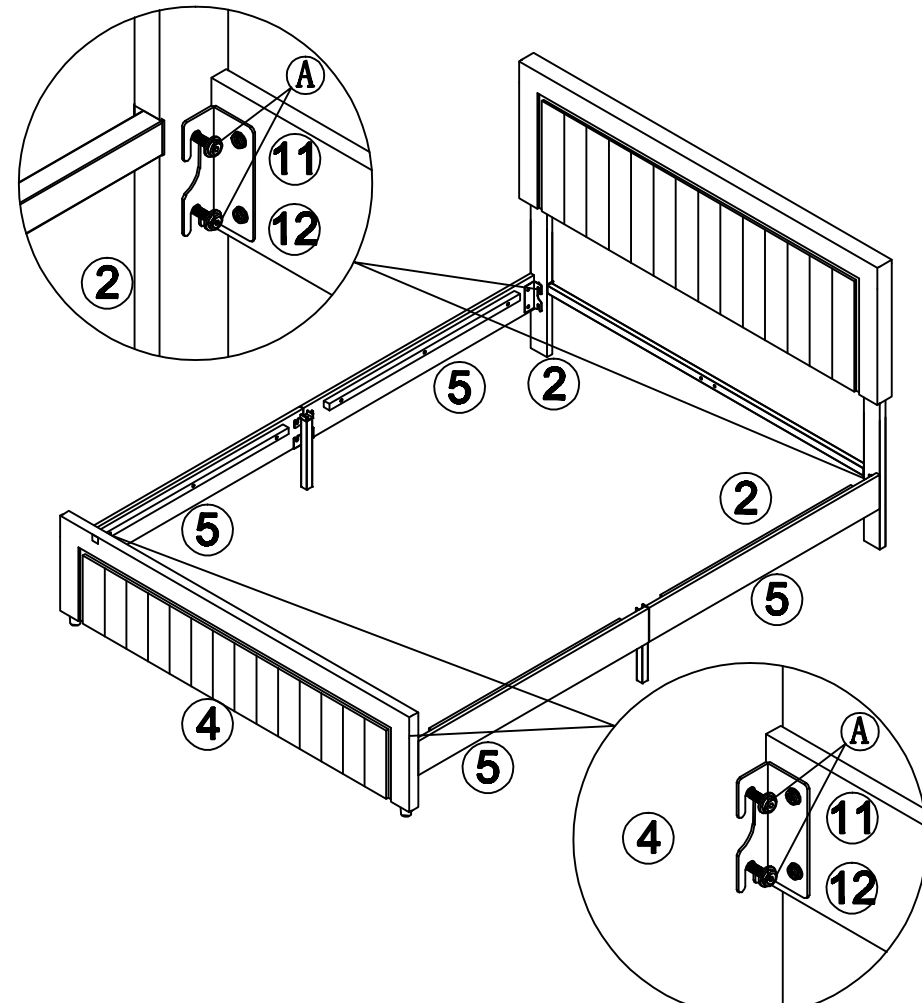


Assembly Instruction




A	 M8x15	8pcs
D	 5#	1pc

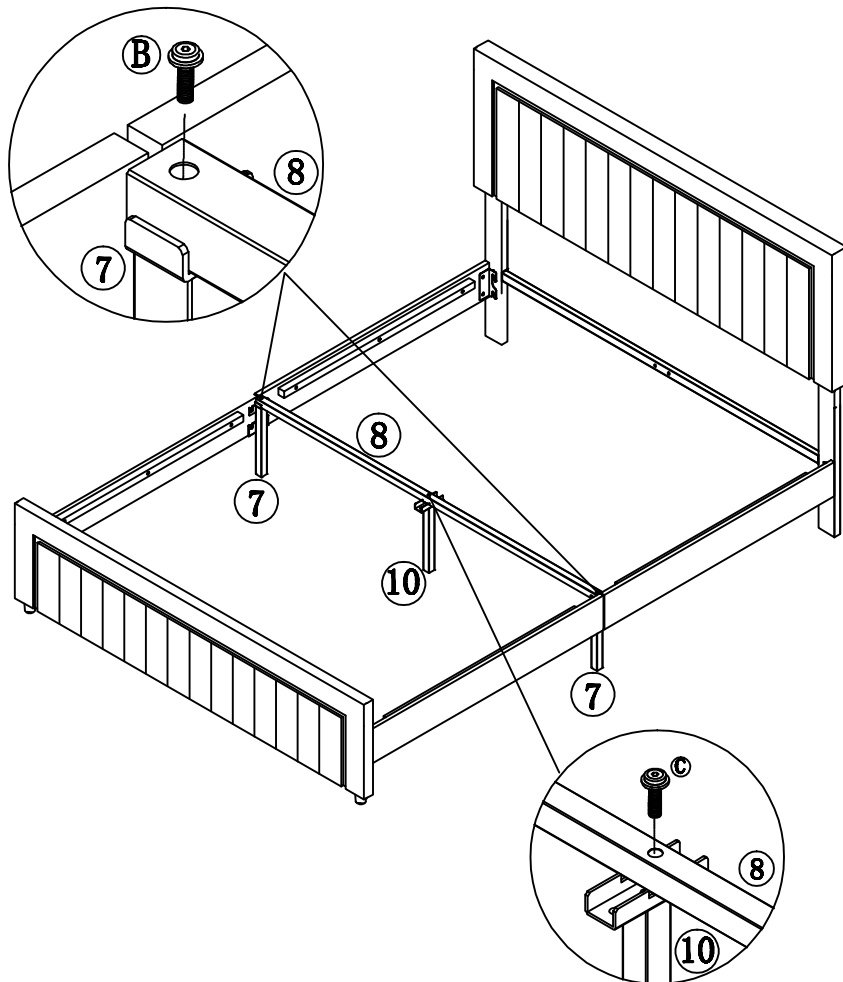





A	 M8x15	8pcs
D	 5#	1pc

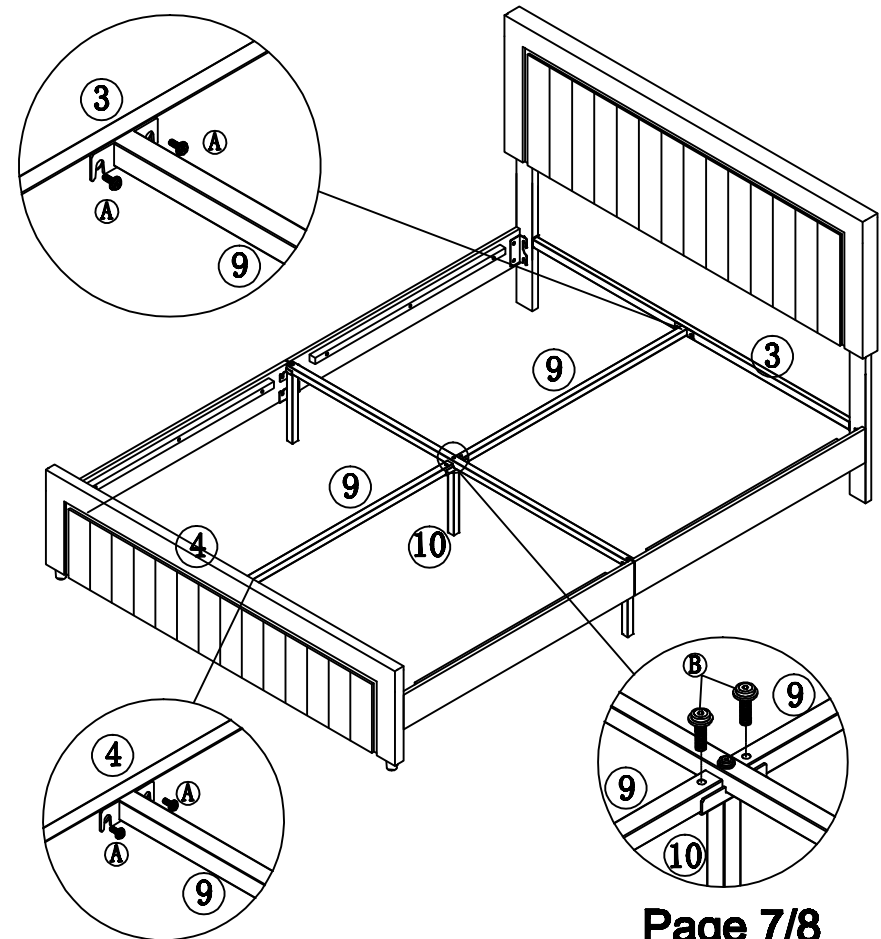


Assembly Instruction

B	 M8x35	2pcs
C	 M8x45	1pc
D	 5 #	1pc



A	 M8x15	4pcs
B	 M8x35	2pcs
D	 5 #	1pc



Assembly Instruction

