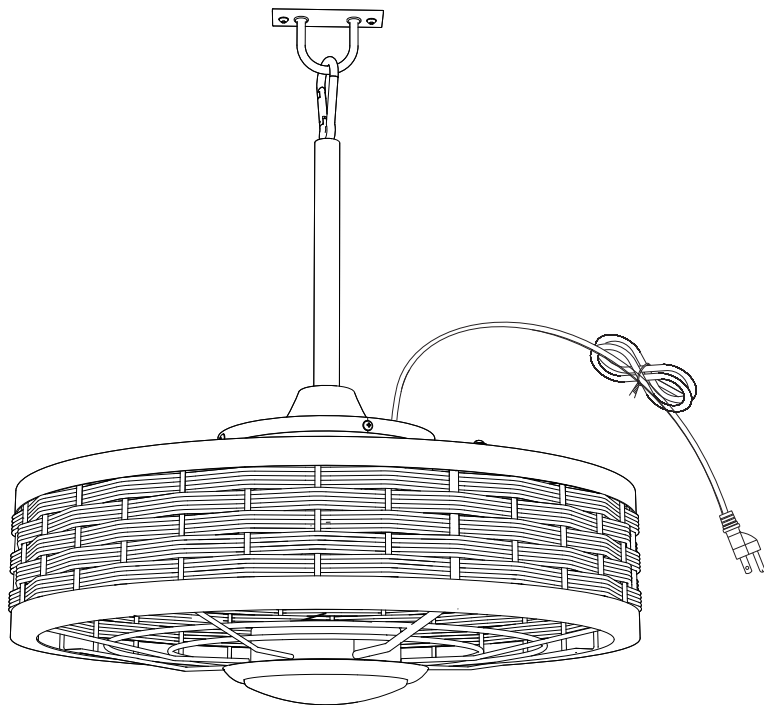
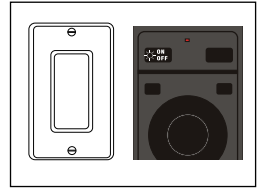


OUTDOOR CEILING FAN USER'S MANUAL



Warm Tips

- **Wall Switch Memory:**
Upon power restoration from the wall switch, the unit resumes its last setting.
- **Clear Remote Codes:**
Power on, press and hold the ALL OFF button Within 5s until the light flashes twice.
- Using a full-range dimmer switch to control the fan speed will damage the fan.



WARNING!!!

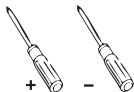
- **To avoid fire, shock and serious personal injury, follow these instructions.**

1. Read your user's manual and safety information before installing your new fan. Review the accompanying assembly diagrams.
2. Before servicing or cleaning the unit, switch off the power at the service panel and lock the service panel to prevent power from being switched on accidentally. If the service disconnecting means cannot be locked, securely fasten a warning device, such as a tag, to the service panel.
3. Be cautious around the fan and blades when clearing, repairing, or working near the fan. Always turn off the power to the ceiling fan before performing any servicing.
4. Do not insert anything into the fan blades while the fan is operating.
5. This appliance is not intended for use by young children or individuals with disabilities without supervision. Young children should be supervised to ensure they do not play with the appliance.
6. Before installing your ceiling fan, refer to the section on the proper method of wiring your fan. If you feel that you do not have enough wiring knowledge or experience, it is recommended to have your fan installed by a licensed electrician.

Tools May Required



Ladder



Screwdriver



Wire Strippers





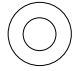



Tape



Goggles


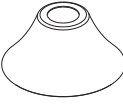
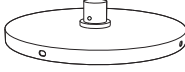

Accessories

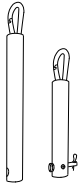
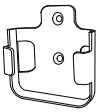

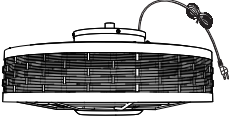
- Check to see that you have received the following parts

1(a)	3(b)	2(c)	2(d)	2(e)	4+1(f)
					
Hook	Zip ties	Washer	Self-tapping screw	Expansion screw	Frame screw and washer

Package Contents

- Check to see that you have received the following parts

1(A)  Mount bracket	1(B)  Coupling cover	1(C)  Fan host cover	1(D)  Lampshade
--	---	---	---

2(E)  Downrods	1(F)  Remote controller Wall Plate	1(G)  Remote controller	1(H)  Motor housing
---	--	--	---

Energy Saving Usage

- Ceiling fan performance and energy savings rely heavily on the proper installation and use of the ceiling fan. Here are a few tips to ensure efficient product performance.

Choosing The Appropriate Mounting Location

Ceiling fans should be installed or mounted in the middle of the room and positioned at least 7 feet above the floor.

If the ceiling height allows, it is recommended to install the fan 7~9 feet above the floor to achieve optimal airflow.

Turn Off When Not In The Room

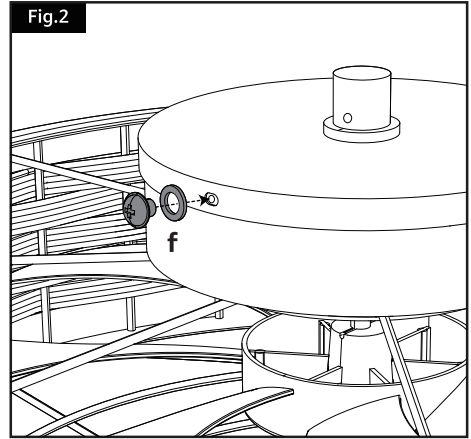
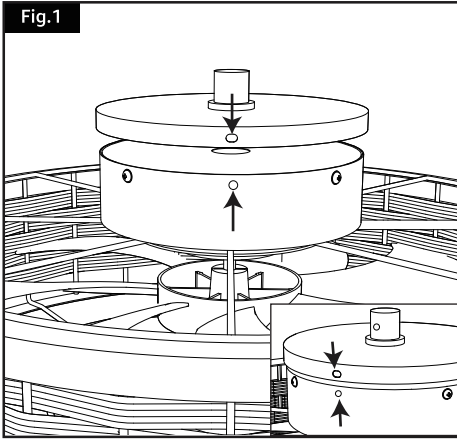
If the room is unoccupied, turn off the ceiling fan to save energy.

Using The Ceiling Fan Year Round

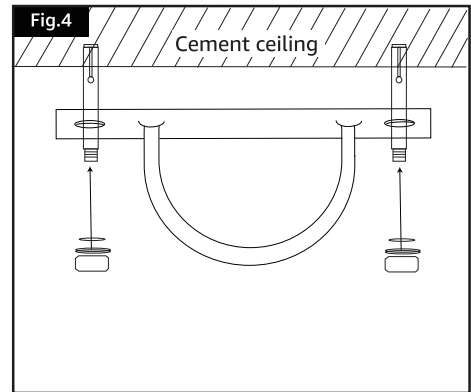
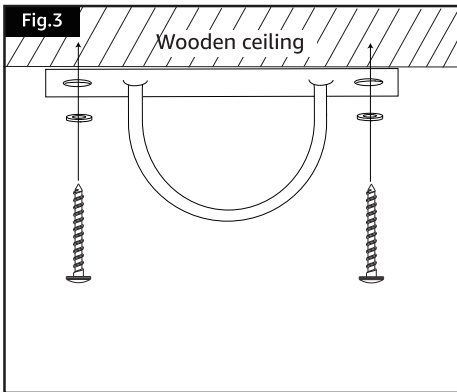
Summer Season: Use the ceiling fan in the counterclockwise direction. The airflow created by the ceiling fan produces a wind-chill effect, making you feel cooler. Select a fan speed that provides a comfortable breeze; lower speeds consume less energy.

Winter Season: Reverse the motor and operate the ceiling fan at a low speed in the clockwise direction. This produces a gentle updraft, which pushes the warm air near the ceiling down into the occupied space. Remember to adjust your thermostat when using your ceiling fan. This simple step can lead to additional energy and cost savings.

Installation



- Position the cover so the holes on the cover align with the holes on the fan host.
- Position the cover and secure it with the four screw and washer.



- According to the user's ceiling situation, choose the corresponding installation method.
- **Wooden ceiling:** Drive self-tapping screws directly into the wooden ceiling.
- **Cement ceiling:** Drill holes into the cement ceiling, then use expansion tubes and self-tapping screws for fixation.

Installation

Fig.5

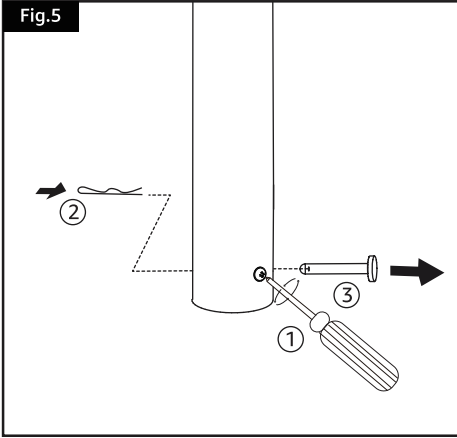
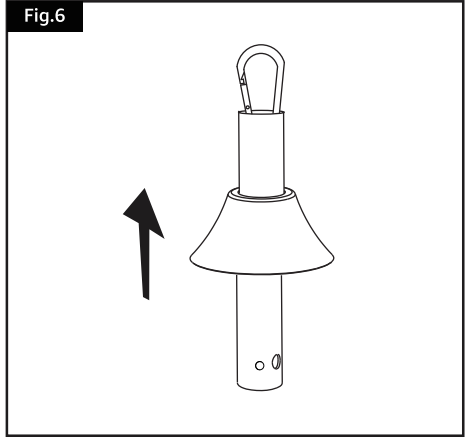


Fig.6



- Remove the two screws on the yoke then remove the pin from the downrod.
- Choose a downrod for the suspended installation. Install the coupling cover onto the downrod.

Fig.7

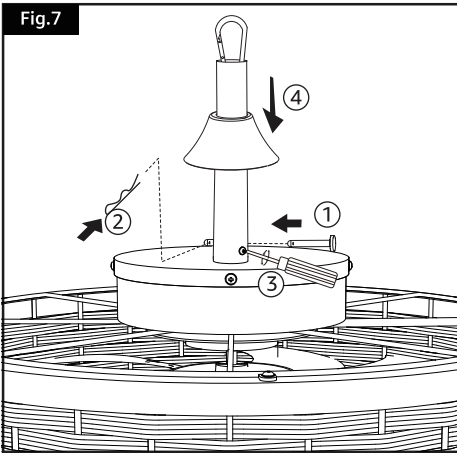
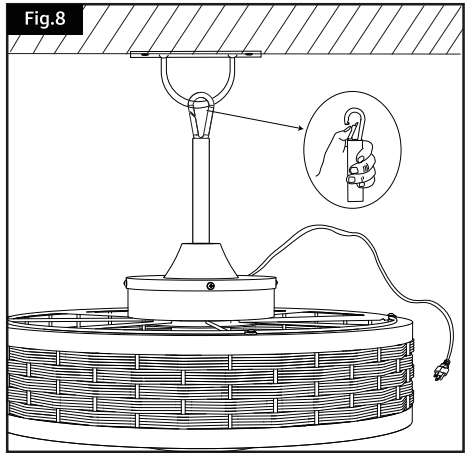


Fig.8



- Fit the assembled downrod and yoke over the mounting studs on the motor housing. Insert the downrod pin through the aligned holes, secure it with the retaining clip, tighten the two yoke screws, and finally slide the coupling cover down into place.
- Suspend the lamp on the mount bracket.

Installation

Fig.9

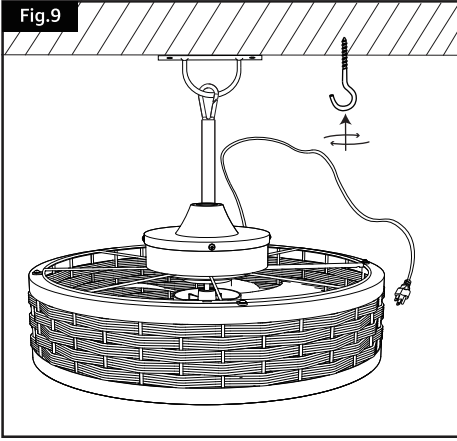
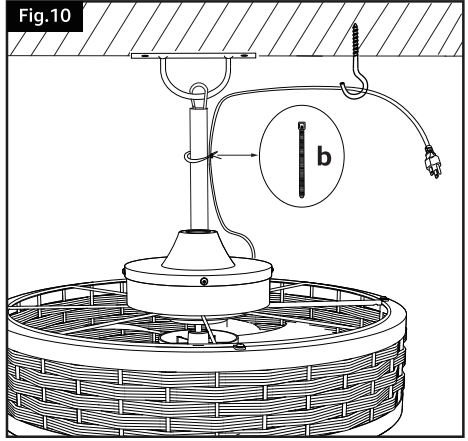


Fig.10



- Install the hook onto the ceiling.
- Use zip ties to bundle the power cord and hang the excess power cord on the hook.

Fig.11

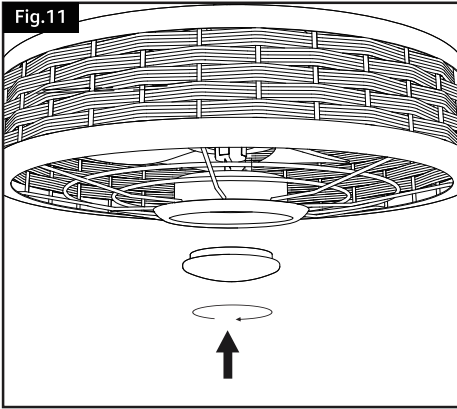
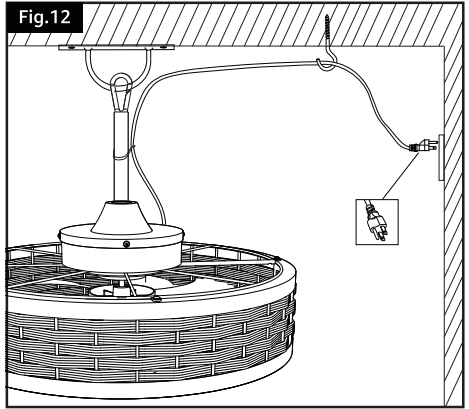


Fig.12

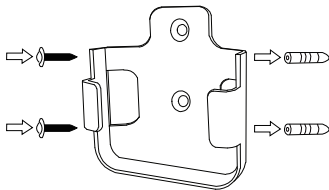


- Screw the lampshade to the bottom plate.
- Plug in and operate with remote controller.

Remote Control



Attach wall plate using the two screws provided.



	Light on/off
	All off
	CCT change
	Night light
	Brightness +
	Brightness -
	CCT + (cooler)
	CCT - (warmer)
	Pairing
	Forward/reverse
	All off after 2 hours
	Fan speed
	Fan speed
	Fan speed
	Natural wind
	Fan off

To operate the fan, please install 2 AAA batteries (included) in the handheld remote transmitter. If not used for extended periods of time, remove the batteries to prevent damage to the transmitter. Store the remote away from excessive temperatures and humidity.

Pairing method: (single/multiple fans)

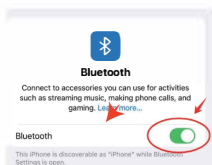
The remote control transmitter can be used to control multiple receivers.

1. For the ceiling fan you want to pair, turn the main power switch off for at least 60 seconds.
2. Turn on the main power switch of the ceiling fan, then immediately click **SETUP** button.
3. The light flashes twice, indicating successful pairing.

If the pairing process is unsuccessful, please repeat the above steps.

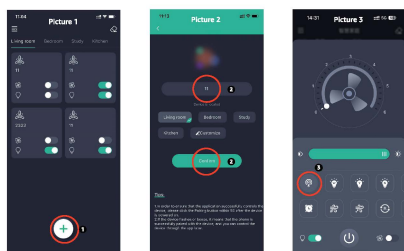
APP Control

NOTE: Please enable Bluetooth and pair the fan with app to control it!



1. Ensure Bluetooth is enabled on your mobile device.

2. Make sure you allow this app to access Bluetooth. (For iPhone users, Android users can ignore this step.)
 Method 1: Click "Allow" when opening the app for the first time.
 Method 2: Go to your phone's settings, find the app, and enable Bluetooth access.



Picture 1


















3. Enter the app page and click the plus sign below (Add group).

Picture 2

4. Enter any name, then click Confirm.

Picture 3

5. Turn on the fan's power wall switch, once the light is on, press the pairing button within 5s. The fan light will flash twice to indicate successful pairing.

	Turn on the fan's power wall switch, once the light is on, press the pairing button within 5s. When the fan light flashes twice, it indicates that the fan has been successfully paired with the phone and can now be controlled through the phone.
	Slide to change the fan speed
	Slide to change the brightness of the light
	Quick switch for "Natural" light color
	Quick switch for "Yellow" light color
	Quick switch for "White" light color
	Not available for this model
	Timer the fan
	Natural wind: fan speed will change automatically when use this function
	Sleeping wind
	Night light (10% brightness in neutral white)
	Not available for this model
	Fan moves forwards
	Fan moves reversely
	Oscillating Funtion (Not available for this model)
	Light off/on
	Fan off/on

Troubleshooting

PROBLEM	SUGGESTED REMEDY
If Fan Does Not Start	<ol style="list-style-type: none">1. Check if the remote controller is paired and battery is working.2. Check the outlet is in good condition.
If Fan Sounds Noisy	<ol style="list-style-type: none">1. Make sure all screws in the yoke are snug.2. Allow a "break-in" period of 24 hours. Most noises associated with a new fan will disappear after this period.3. Check if the fan blades are in contact with the something.
If Fan Wobbles	<ol style="list-style-type: none">1. Make sure that hook is scured.2. Make sure all screws in the yoke are snug.
If Light Does Not Work	<ol style="list-style-type: none">1. Check for loose wiring of the LED board.
Remote Does Not Work	<ol style="list-style-type: none">1. Battery out of power or not installed correctly; change new AAA battery and ensure well installed.2. Remote pairing, please refer to page 7.

Maintenance

Periodic cleaning of your new ceiling fan is the only maintenance that is needed. When cleaning, use only a soft brush or lint-free cloth to avoid scratching the finish. Avoid using water as it can damage the motor, finish, and create the possibility of electrical shock. It is best to dry clean the fan to ensure its safe operation.

Customer Service:

30-Days Full Refund Guarantee

If you are not completely satisfied or the item isn't what you expected, just tell us within 30 days. We will give you a full refund unconditionally.

Friendly Reminder

It's better to contact us than leaving a negative shopping experience. Nothing is more important than your satisfaction, and we will do our best to serve you.

Quick Response Within 12 Hours

You can contact us without any hesitation at any time of the day, and we will reply to you within 12 hours. (It would be appreciated if you could provide us with a video or pictures, if available)

2-Year Warranty

Your fan light comes with a two-year warranty. If a malfunction occurs due to product quality issues, we will assist in diagnosing the problem and provide replacement parts free of charge to ensure your fan light resumes normal operation.