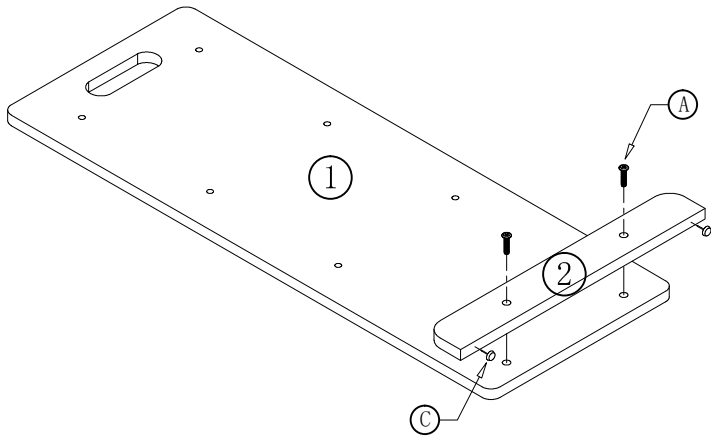
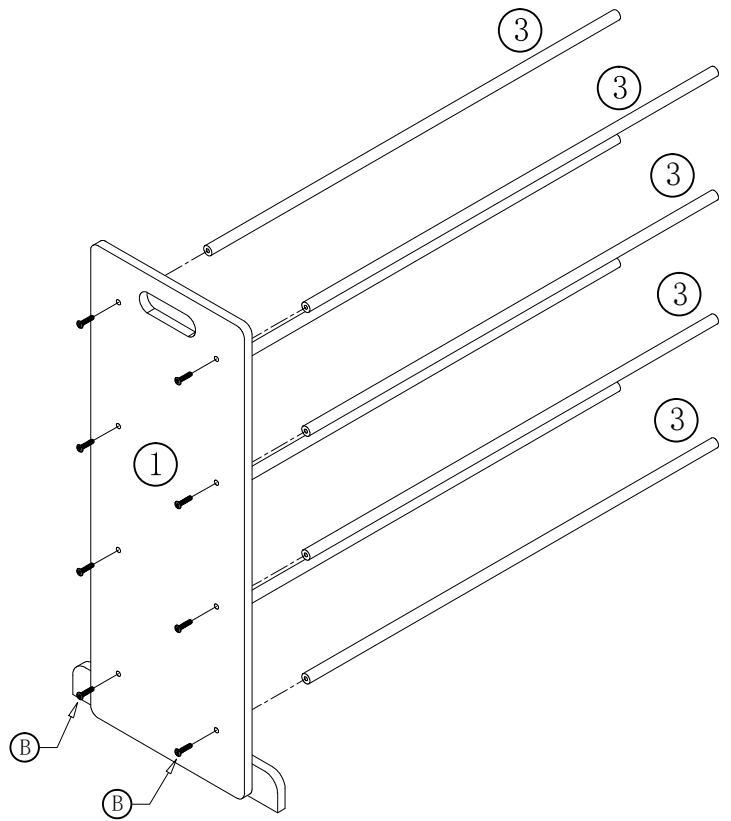


Assembly Instructions

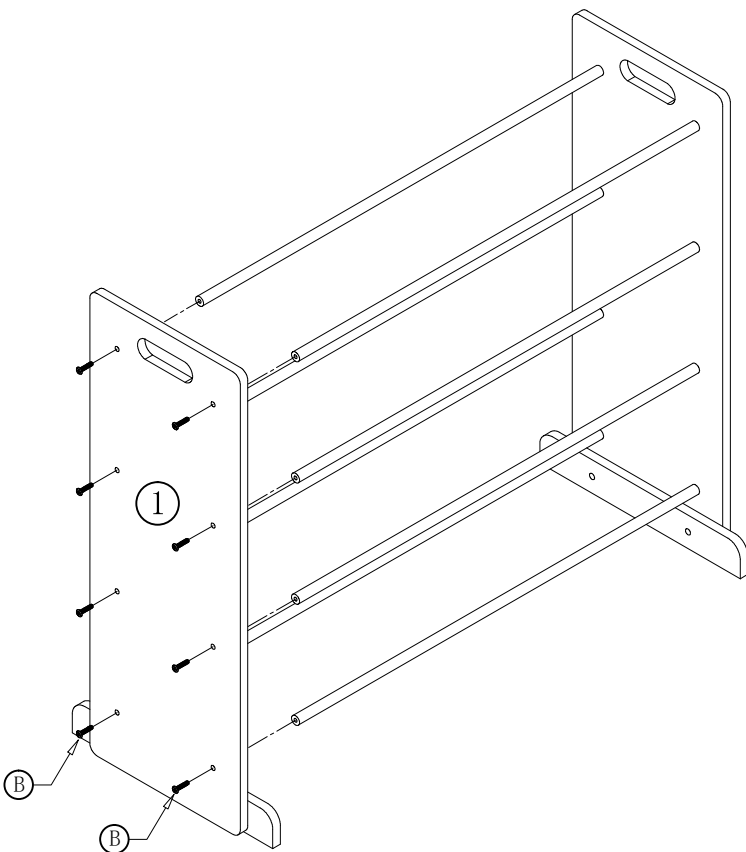
Step1:Connecting Panel ① and ② with screws A. Install plastic nail on bottom base.



Step2:Connecting the round bar ③ and side panel ①.



Step3:Assembly the other side panel.



Step4:Install anti-tip device with ④ and Assembly the plastic bins.

