




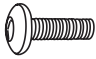
Assembling Instructions




Important assembling suggestions

- 1) Before starting, please read our assembling instructions carefully and make yourself familiar with them.
- 2) Follow our assembling instructions carefully.
- 3) Compare the listed parts and fitting list to the contents of the cardboard.
- 4) To make sure that the furniture will not be damaged or grated during assembling, prepare an adequate area and cover the floor with the cardboards or another soft pad (i.e. cloth or carpet).
- 5) Wipe regularly with clean water and a damp, clean, soft white cloth.
- 6) Do not overwind screws. Check the screws from time to time and if necessary retight them.
- 7) Keep the instruction and service sheets. Perhaps you will need them later on.

Parts list

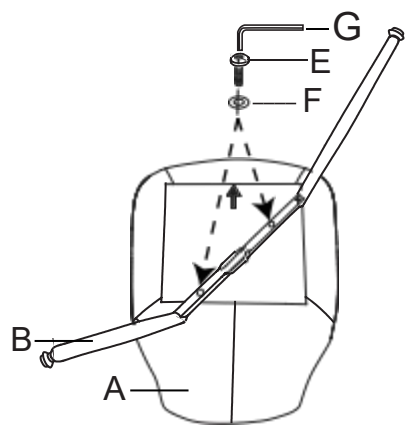
Hardware List

- A** 1 X Seat 
- B** 1 X Leg 
- C** 1 X Leg 
- D** 1 X Bolts 
M6x25

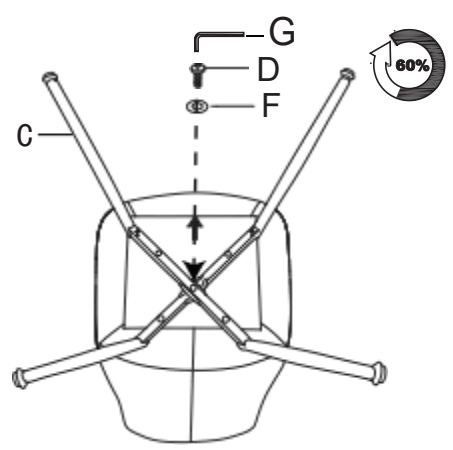
- E** 4 X Bolts 
M6x45
- F** 5 X Gasket 
M6x18x1 .2
- G** 1 X Hex Key 

Assembling

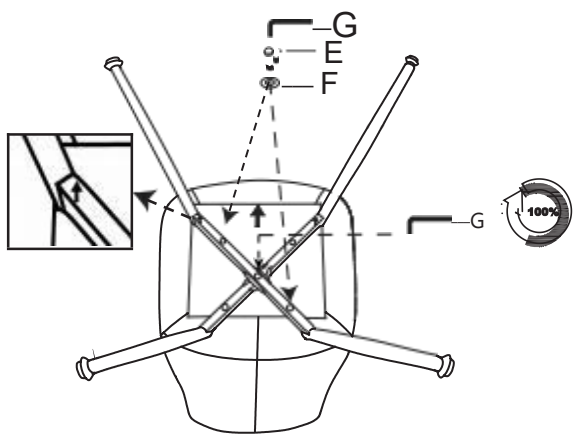
Step 1



Step 2



Step 3



Step 4

