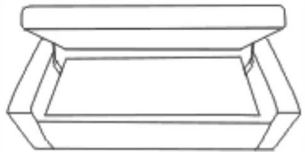
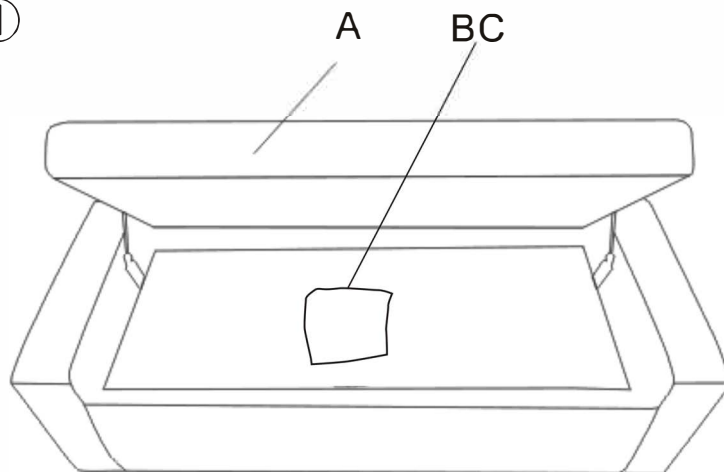


Ax1



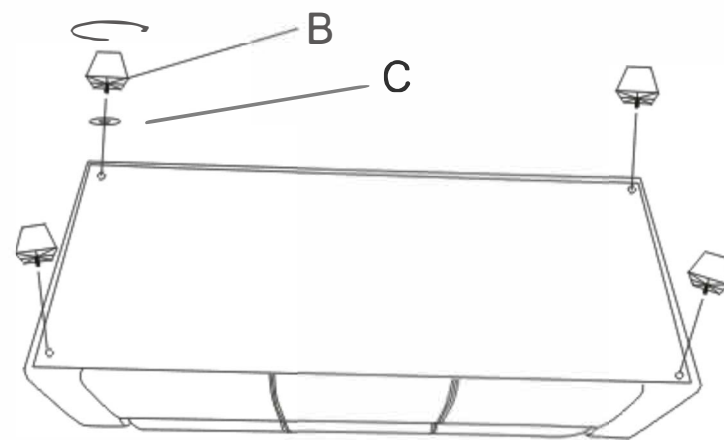
①



Bx4



②



Cx4



③

