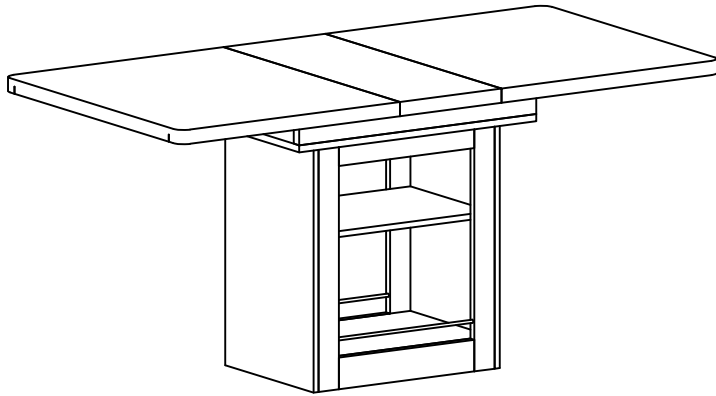


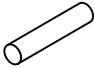




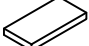









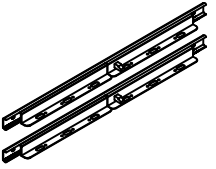
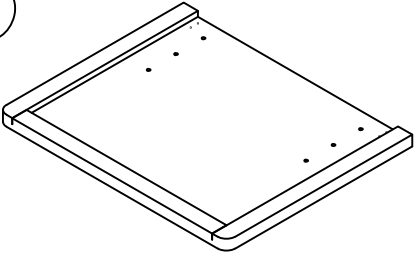
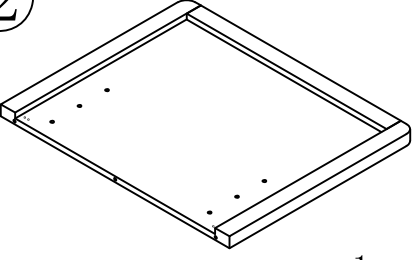
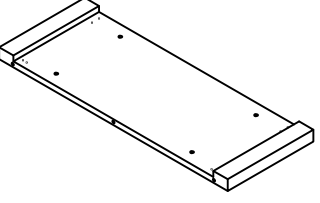


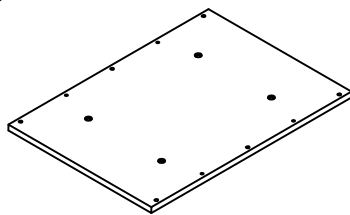
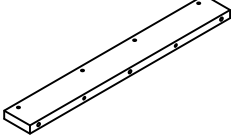
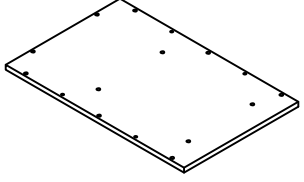
ASSEMBLY INSTRUCTION

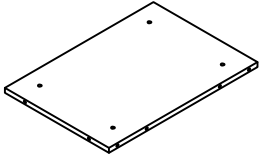
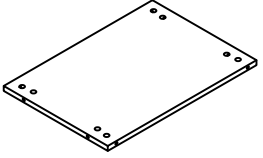
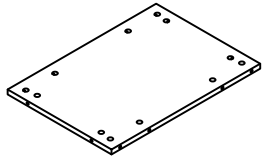


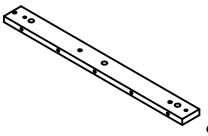
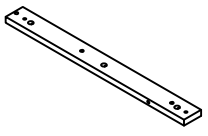
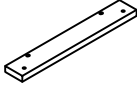
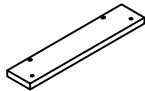
A  44pcs	B  44pcs	C  8*40 12pcs
D  8*16 16pcs	E  8pcs	F  1pcs
G  M5 1pcs	H  15*30 8pcs	I  8*18 18pcs
J  8*30 4pcs	K  6*35 6pcs	L  6*16 20pcs

M  4pcs	N  4pcs	O  3.5*16 32pcs	P  4pcs	Q  2pcs	R  1pcs
---	---	---	---	--	--

1  1pcs	2  1pcs	3  1pcs
---	--	---

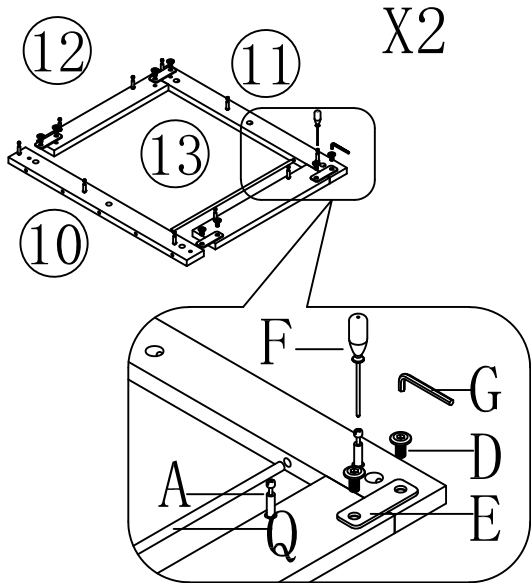
4  1pcs	5  2pcs	6  2pcs
---	---	---

7  1pcs	8  1pcs	9  1pcs
---	---	---

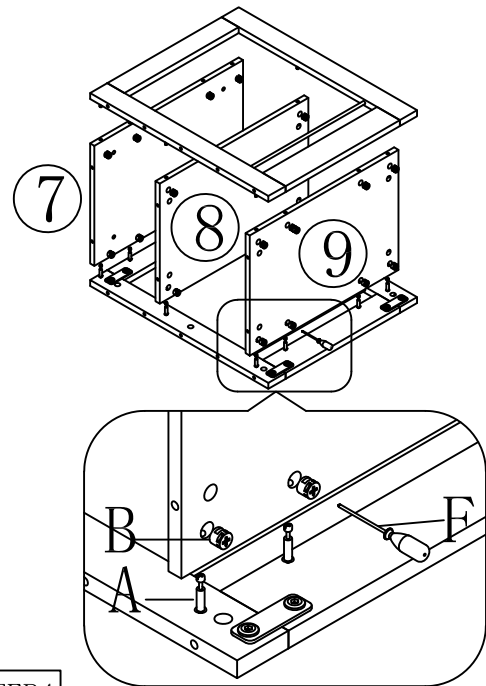
10  2pcs	11  2pcs	12  2pcs	13  2pcs
--	--	---	--

ASSEMBLY INSTRUCTION

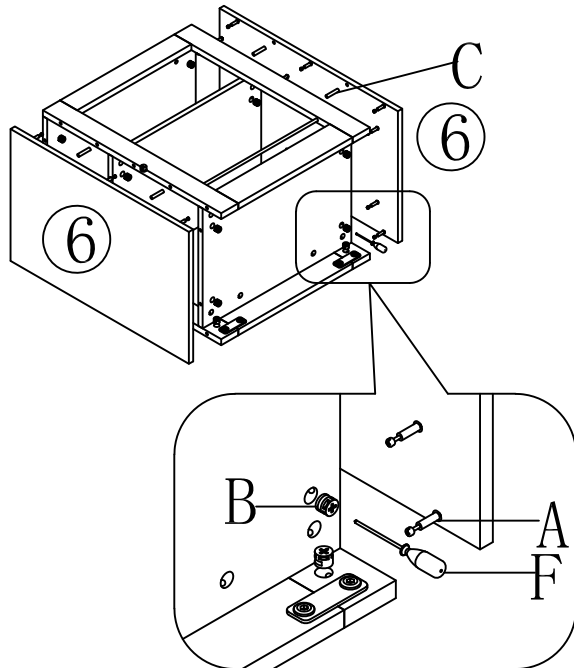
STEP1



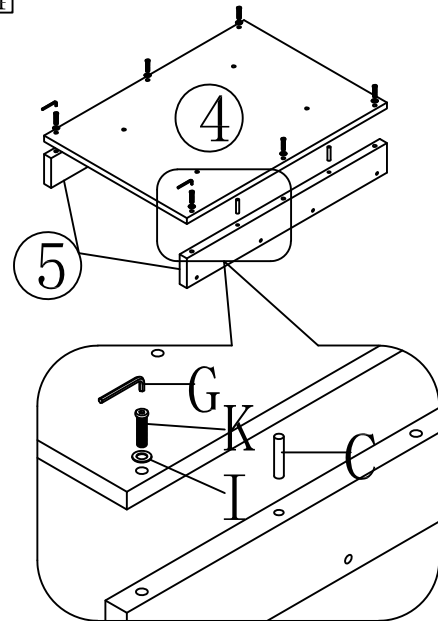
STEP2



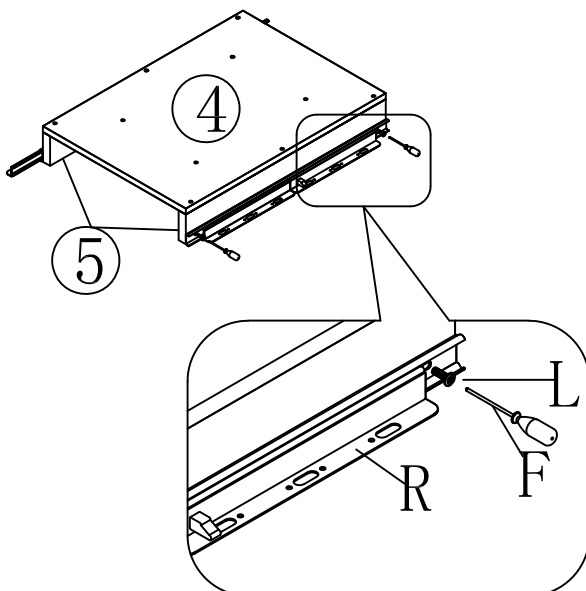
STEP3



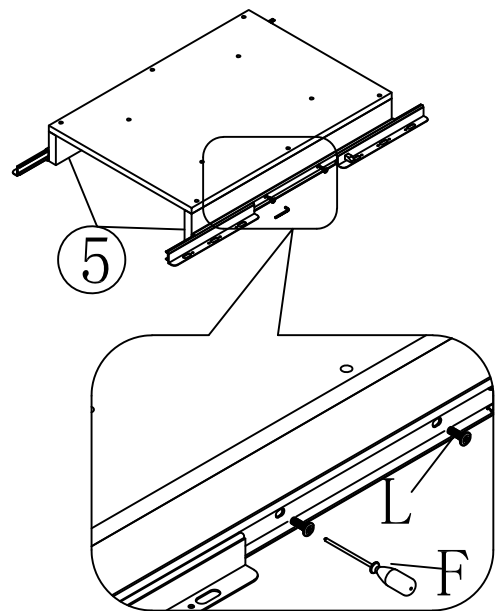
STEP4



STEP5

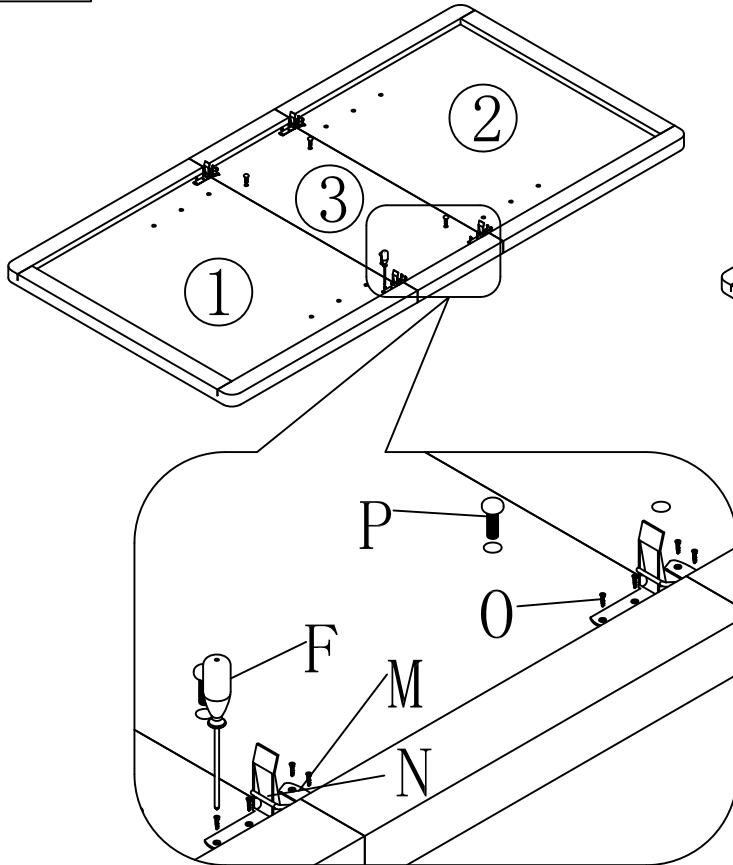


STEP6

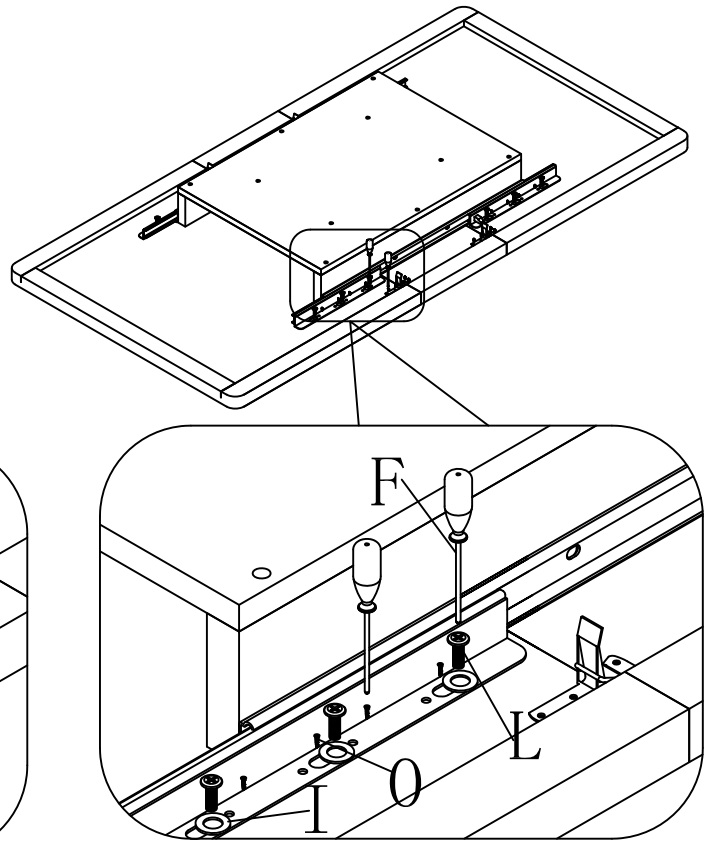


ASSEMBLY INSTRUCTION

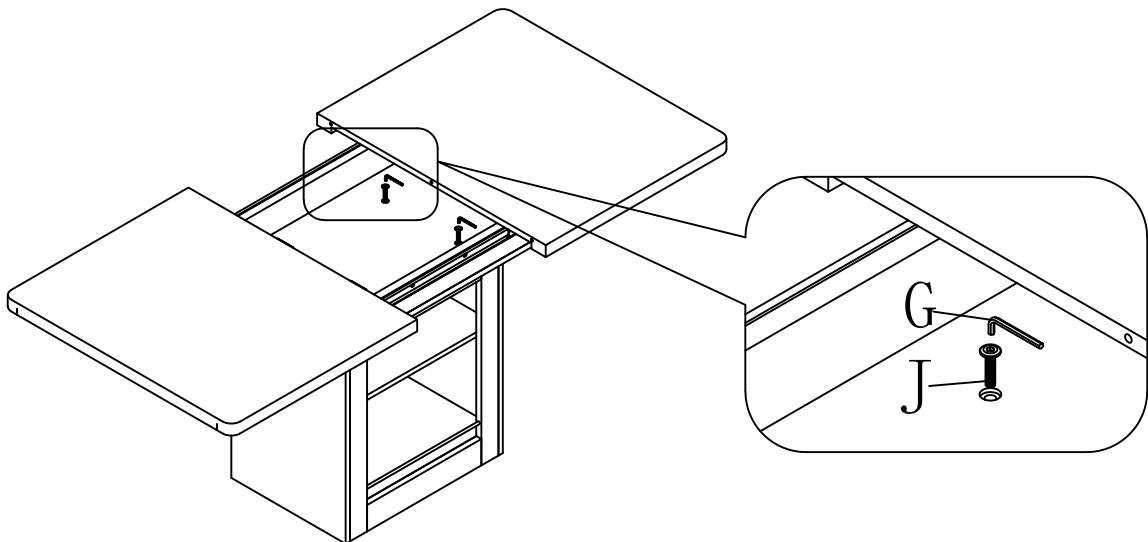
STEP7



STEP8



STEP9



STEP10

