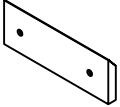
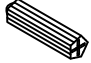

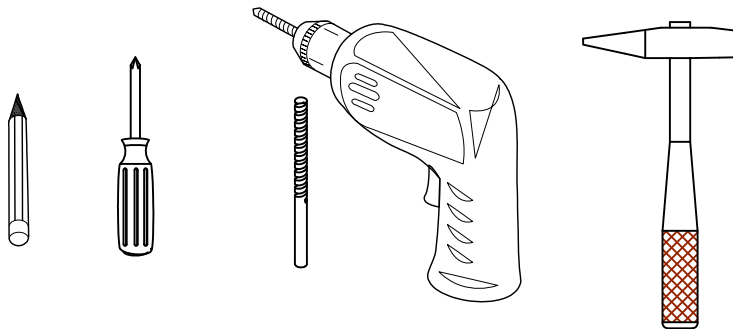


# Item NO.: MC250I

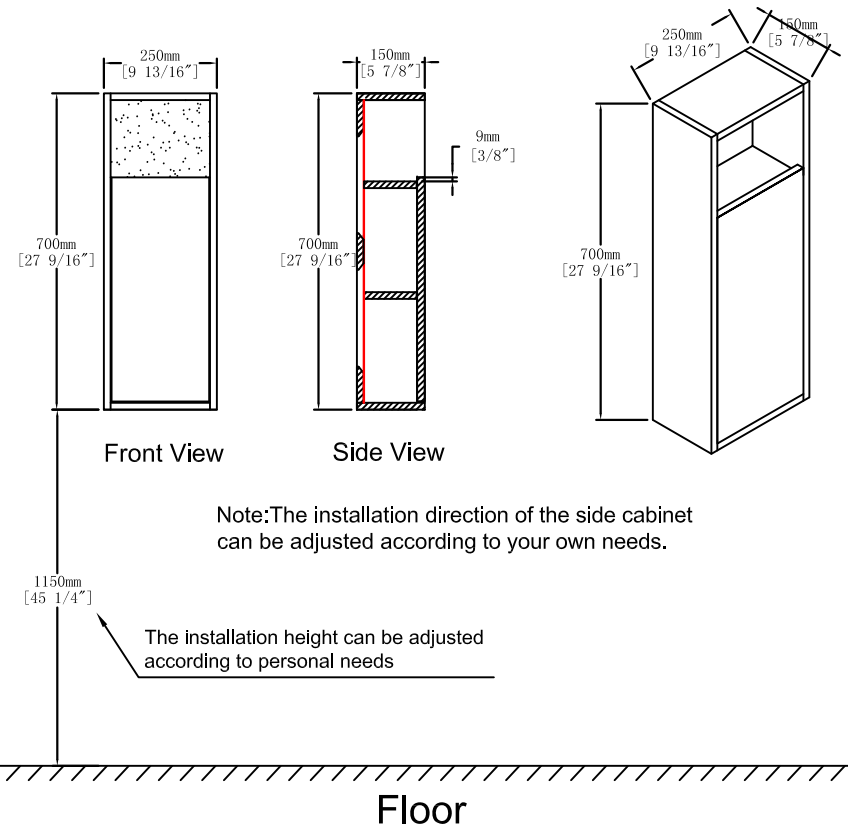
## Hardware

NO.	Draw	QTY
A	 45 degree wall hanging strip	2
B	 Plastic anchor(Ø6mm)	4
C	 (Ø4 x 45mm) Screws for fix on the wall	4

## Dimensions



## Dimensions

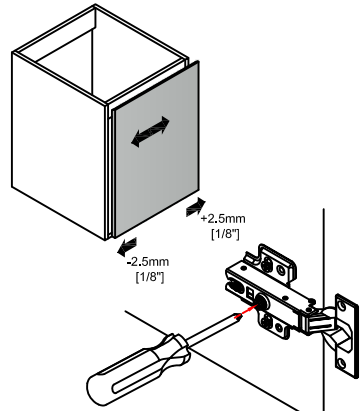


## CARE CLEANING AND MAINTENANCE

1. Dust regularly with a soft , dry cloth.
2. Avoid the use of all chemicals household cleaners, abrasives, or cleaners that contain lemon, vinegar, or other acids that may damage the finish.
3. Excessive exposure to sunlight and extreme changes in temperature and moisture can damage wood furniture.
4. Do not place hot appliances, such as curling irons and hot hair dryers directly on the countertop. Wipe spills immediately.

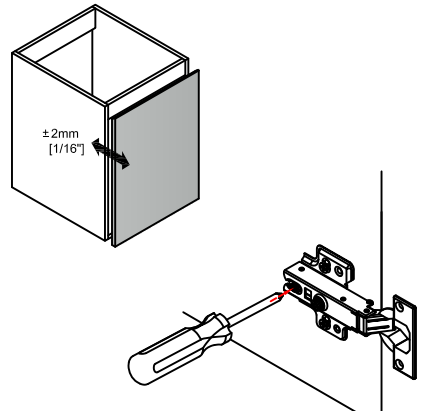
### Coverage Distance

Rotate screw to the right: Coverage distance decrease (-)  
Rotate screw to the left: Coverage distance increase (+)



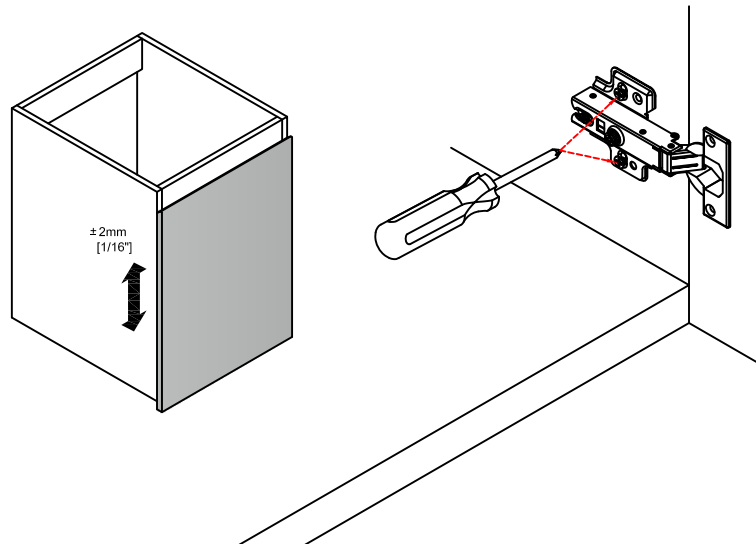
### Depth Distance

Release the screw, adjust the distance between the door & vanity and tighten the fastening screw.

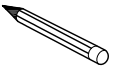


### Height Distance

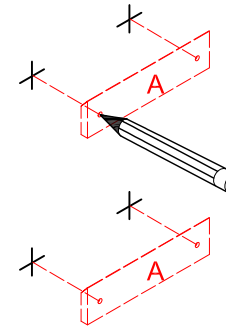
Release the base screw, adjust the height of the door, and then tighten the screw.



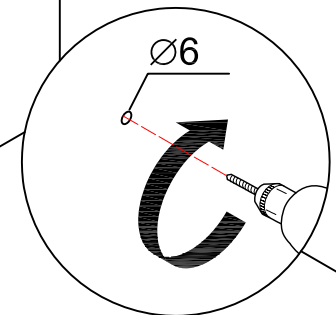
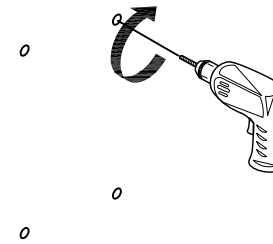
### Step 1



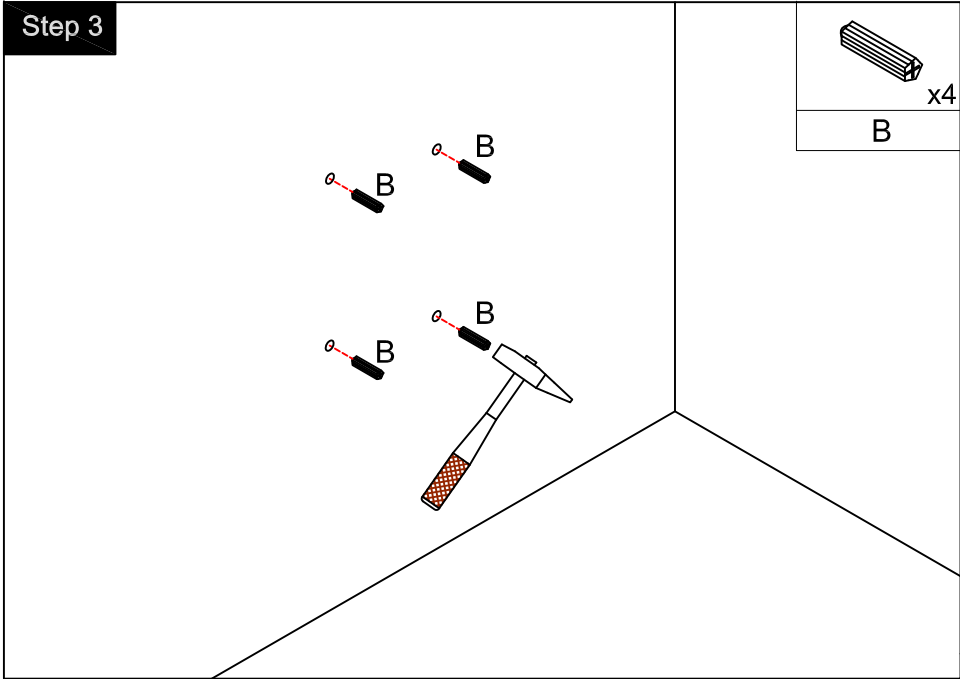
Tool



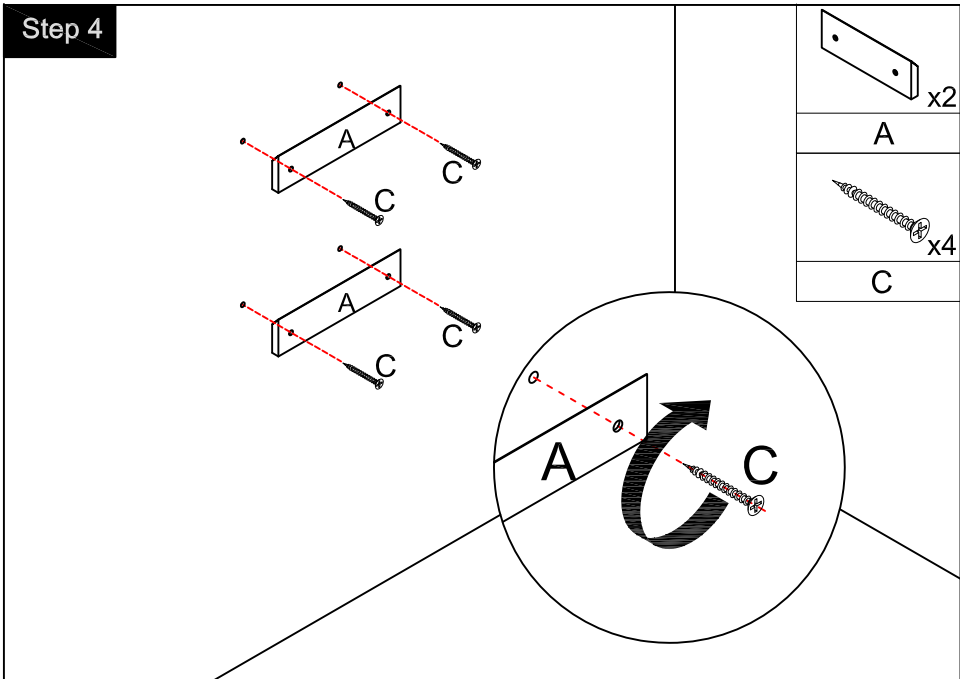
### Step 2



Step 3



Step 4



Finished

