

**INSTRUCTION MANUAL ENCLOSED**

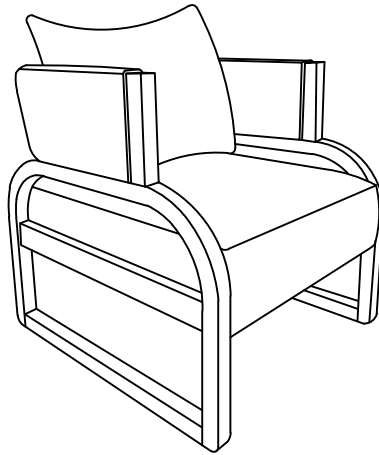
**ATTENTION**

**IF YOU HAVE ANY PROBLEMS OR QUESTIONS, EMAIL OR CALL  
CUSTOMER SERVICE BEFORE YOU RETURN THIS PRODUCT TO THE  
STORE WHERE IT WAS PURCHASED.**

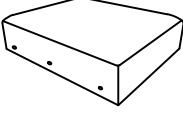
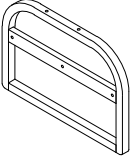
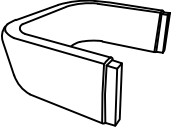
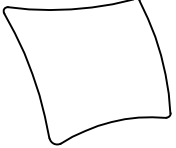





**\*\*When emailing Customer Service, please include your **Order Number** and **platform of purchase** in the email subject for quicker assistance.**

# INSTRUCTION MANUAL ENCLOSED

## INDOOR DINING CHAIR ASSEMBLY INSTRUCTION



Parts	DESCRIPTION	Quantity
<b>PARTS LIST</b>		
<b>DESCRIPTION</b>		
<b>PARTS</b>		
A	SEAT FRAME WITH CUSHION	1
B	LEGS	2
C	BACK FRAME WITH CUSHION	1
D	PILLOW	1
<b>HARDWARE</b>		
E	ALLEN BOLT 1/4" x 2-3/4"	4
F	ALLEN BOLT 1/4" x 1-3/4"	6
G	SPRING WASHER 1/4 "	10
H	FLAT WASHER 1/4 "	10
I	ALLEN KEY #M4	1
<b>SPARE PART</b>		
E	ALLEN BOLT 1/4" x 2-3/4"	1
F	ALLEN BOLT 1/4" x 1-3/4"	1
G	SPRING WASHER 1/4 "	1
H	FLAT WASHER 1/4 "	1

<p>A</p>  <p>x1</p>	<p>B</p>  <p>x2</p>	<p>C</p>  <p>x1</p>	<p>D</p>  <p>x1</p>
<p>E</p>  <p>x4      1/4" x 2-3/4"</p>	<p>F</p>  <p>x6      1/4" x 1-3/4"</p>	<p>G</p>  <p>x10                      1/4"</p>	<p>H</p>  <p>x10                      Ø1/4</p>
<p>I</p>  <p>x1                      #M4</p>			

**PLEASE READ AND FOLLOW ALL SAFETY TIPS**

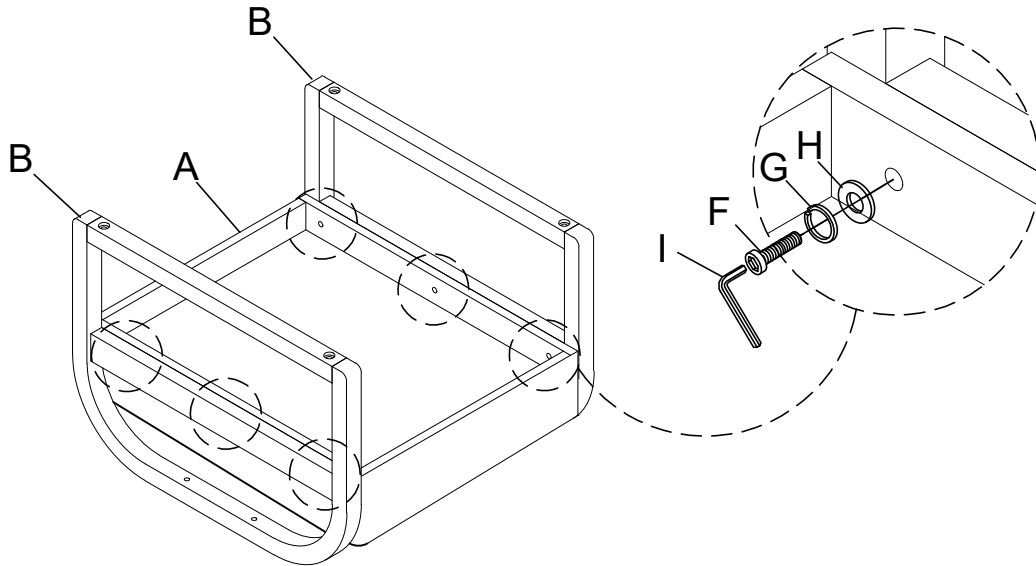
**GETTING STARTED**

1. Before assembly, CAREFULLY use scissors or utility knife to cut and unwrap all parts. Make sure you do not discard the hardware.
2. Make sure that you have all the parts listed. If you are missing any parts, please email us. Please identify the parts you need and model number. Make sure to include your name and address.
3. Please include your **Order Number** and **platform of purchase** in the email subject, and one of our customer service representative will get back to you.

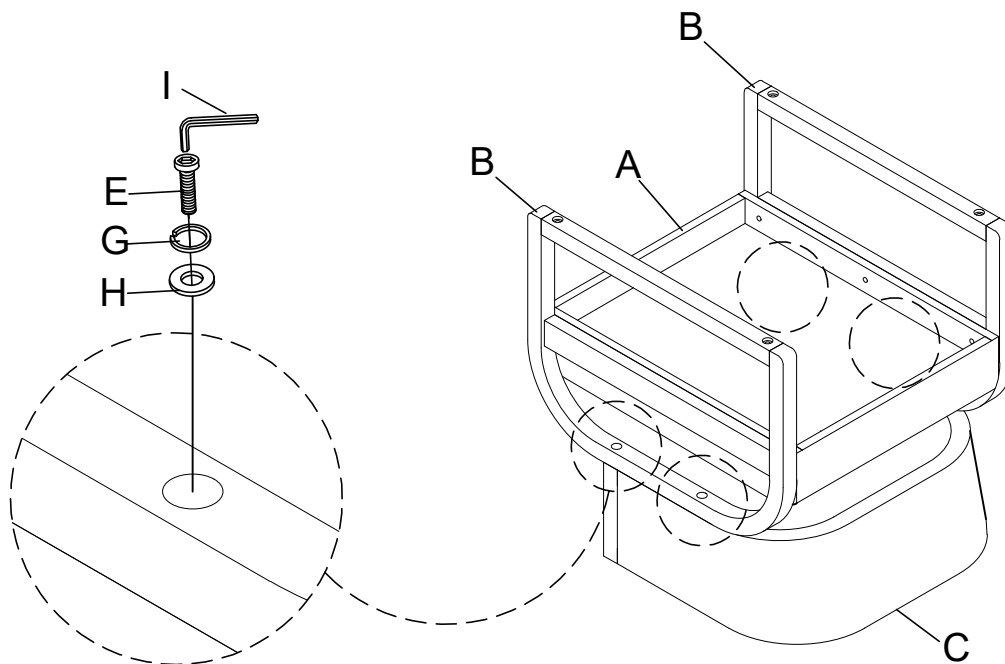
**Warm Tips:**

1. The plastic covers on some metal parts are just for product protection. Please remove it before assembly.
2. Please follow the sequence of AI during assembly.
3. Do not tighten the screws until all of them are in right positions.

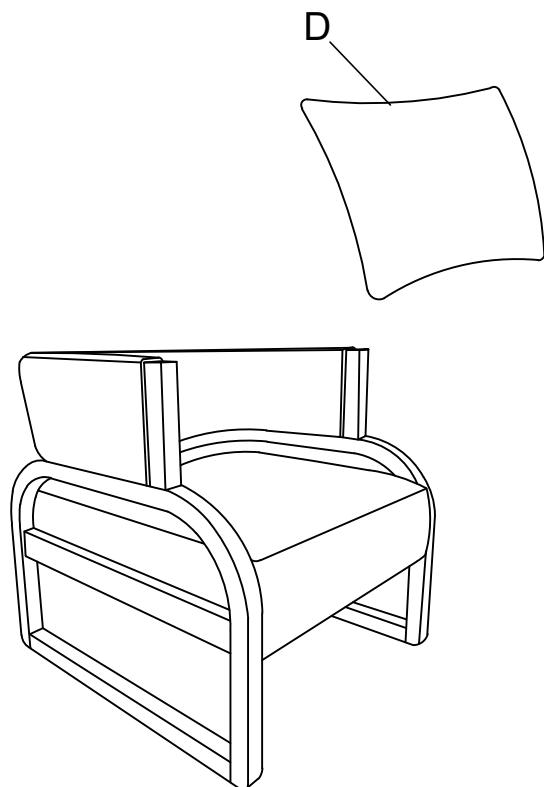
- 1** Assemble the Legs (B) to the seat frame with cushion (A) . By using allen key (I) with hardware F,G, and H. It should have 6pcs F & 6pcs G & 6pcs H fastened .  
\*\*Attention: DO NOT TIGHTEN THE BOLTS.



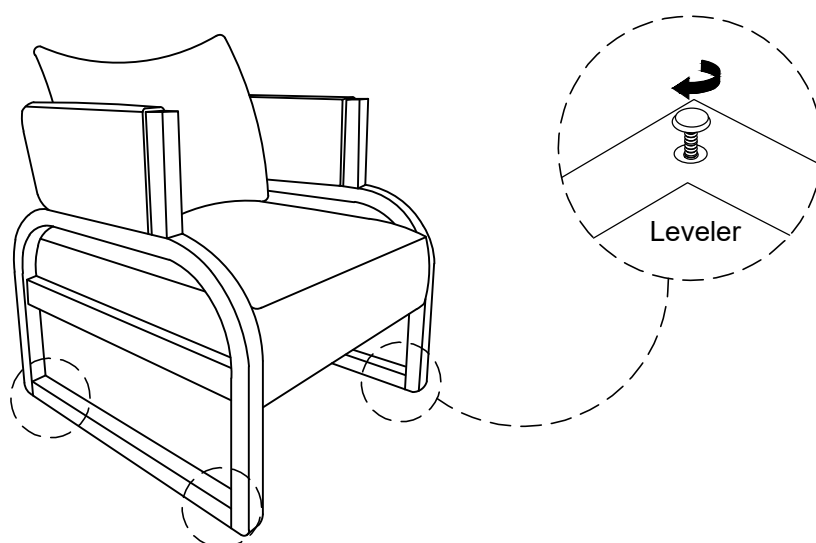
- 2** Assemble the back frame with cushion (C) with the Legs (B) by using Allen Key (I) with hardware E, G, and H . It should have 4pcs E & 4pcs G & 4pcs H fastened .  
\*\*Attention: DO NOT TIGHTEN THE BOLTS



③ Put the pillow (D) on the chair .



To level the chair, stand the chair on a flat surface and tighten all the bolts by using Allen Key (I) .



You have completed assembling the furniture - enjoy!