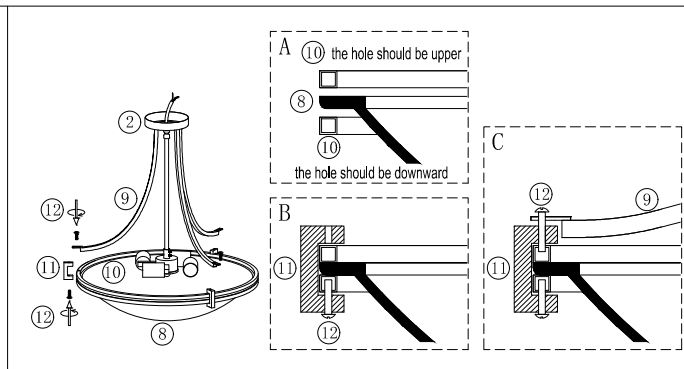
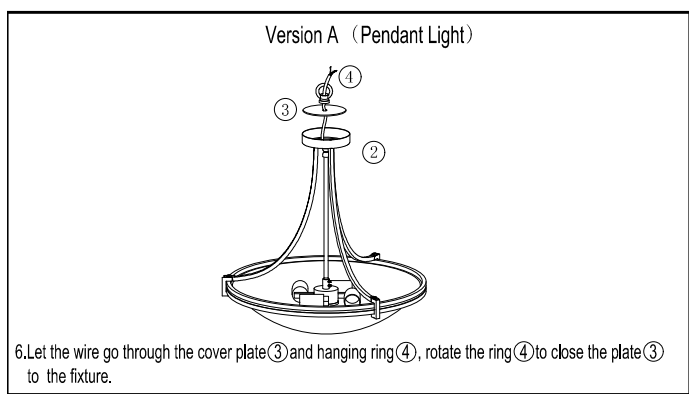


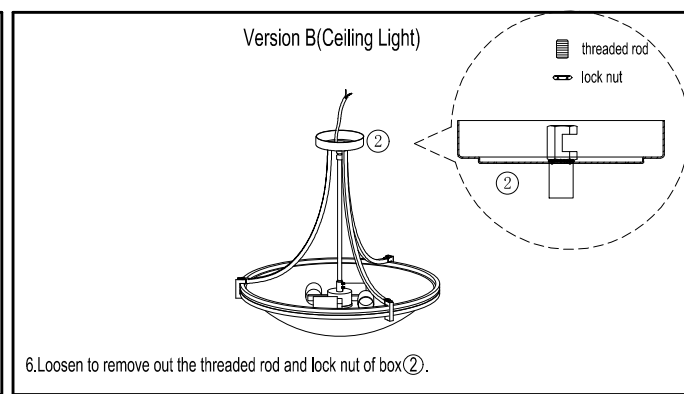
1. Install the bended profile (9) to the metal box (2) with lock nut and teeth lock washer.
2. Let the wire of fixture (5) go through the hanging tube (1) and box (2), rotate to install both parts to the fixture, fasten the tube (1) with grub screw (6) by rotate hex key (7).



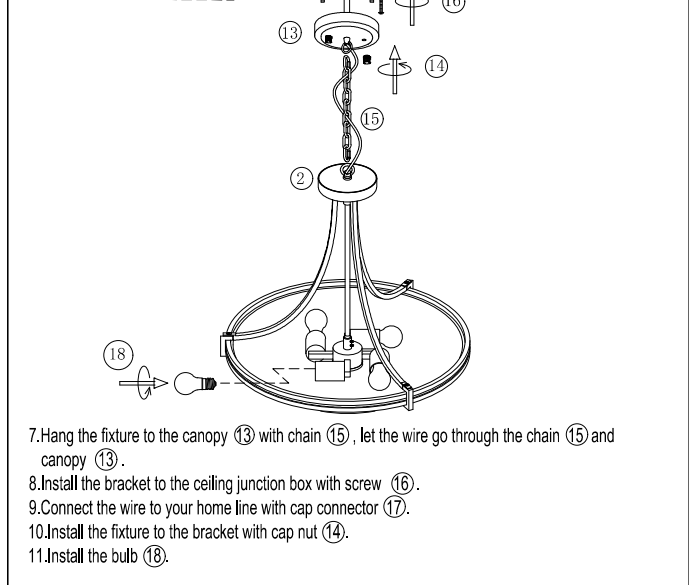
3. Put the glass lampshade (8) between two metal rings (10) like picture A shown.
4. Use metal profile (11) to install the ring (10) and lampshade (8) together, fix the down ring (10) and lampshade with screw (12) like picture B shown.
5. Install the lampshade to the bended profile (9) with screw (12) like picture C shown.



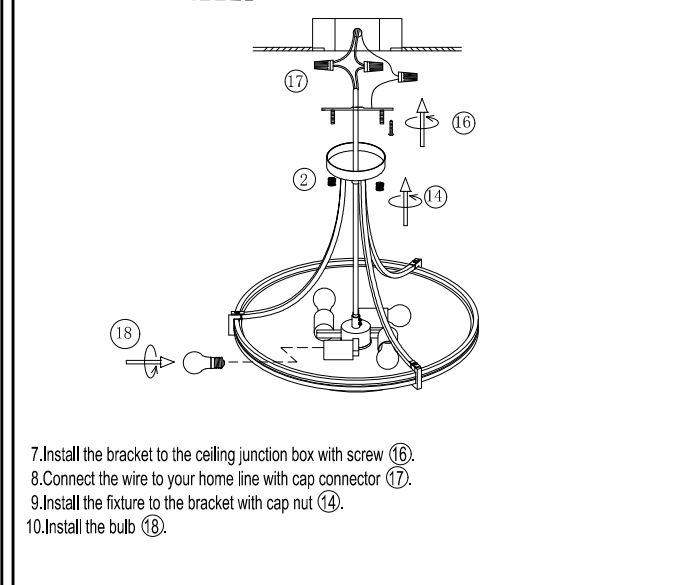
6. Let the wire go through the cover plate (3) and hanging ring (4), rotate the ring (4) to close the plate (3) to the fixture.



6. Loosen to remove out the threaded rod and lock nut of box (2).



- Please use wet fabric to clean the lampshade if it is dirty.
7. Hang the fixture to the canopy (13) with chain (15), let the wire go through the chain (15) and canopy (13).
 8. Install the bracket to the ceiling junction box with screw (16).
 9. Connect the wire to your home line with cap connector (17).
 10. Install the fixture to the bracket with cap nut (14).
 11. Install the bulb (18).



- Please use wet fabric to clean the lampshade if it is dirty.
7. Install the bracket to the ceiling junction box with screw (16).
 8. Connect the wire to your home line with cap connector (17).
 9. Install the fixture to the bracket with cap nut (14).
 10. Install the bulb (18).

D7030S-4
Please read carefully before installation!!!
Note : Please make sure that the electricity is powered off during installation !
Only a professional electrician should install this kind of product !